



US00D915576S

(12) **United States Design Patent**  
**Gobber et al.**

(10) **Patent No.:** **US D915,576 S**  
(45) **Date of Patent:** **\*\* Apr. 6, 2021**

(54) **DIFFUSING EVAPORATOR OF ACTIVE SUBSTANCES**

(71) Applicant: **Zobe Holding SPA**, Trento (IT)

(72) Inventors: **Cedric Gobber**, Barcelona (ES);  
**Walter Sordo**, Trento (IT)

(73) Assignee: **Zobe Holding SPA**, Trento (IT)

(\*\*) Term: **15 Years**

(21) Appl. No.: **29/703,413**

(22) Filed: **Aug. 27, 2019**

(30) **Foreign Application Priority Data**

Feb. 28, 2019 (ES) ..... 0529618

(51) **LOC (13) Cl.** ..... **28-99**

(52) **U.S. Cl.**  
USPC ..... **D23/367**

(58) **Field of Classification Search**

USPC ..... D23/209, 355, 356, 358, 359, 360, 364,  
D23/365, 366; D7/316, 505; D9/435,  
D9/444, 504, 519, 529, 686; D11/131.1;  
D28/89; D99/5; D2/717, 720, 731, 739,  
D2/840

CPC . A61L 9/03; A61L 9/012; A61L 9/015; A61L  
9/037; F41J 1/01

See application file for complete search history.

(56) **References Cited**

**U.S. PATENT DOCUMENTS**

D311,559 S \* 10/1990 Satoh ..... 428/17  
5,213,855 A \* 5/1993 Buxton ..... A41G 1/00  
156/61

D422,350 S \* 4/2000 Wu ..... D23/366  
D616,537 S \* 5/2010 Gosko-Sadowski ..... D23/393  
D699,335 S \* 2/2014 Berton ..... D23/367  
D864,375 S \* 10/2019 Hu ..... D23/366  
D873,526 S \* 1/2020 Lesina ..... D1/115  
D884,867 S \* 5/2020 Gobber ..... D23/366  
D893,696 S \* 8/2020 Vicondo Fontanella .... D23/366

**OTHER PUBLICATIONS**

YGMONER Car Vent Clip Air Fresheners Plant Cactus Tomato  
Decoration [Oct. 8, 2020] found online [Oct. 8, 2020]—<https://www.amazon.com/Fresheners-Cactus-Tomato-Decoration-cactus/dp/B074K12DSD?th=1>.\*

\* cited by examiner

*Primary Examiner* — John A Voytek

(74) *Attorney, Agent, or Firm* — Don V. Kelly; Evans &  
Dixon, L.L.C.

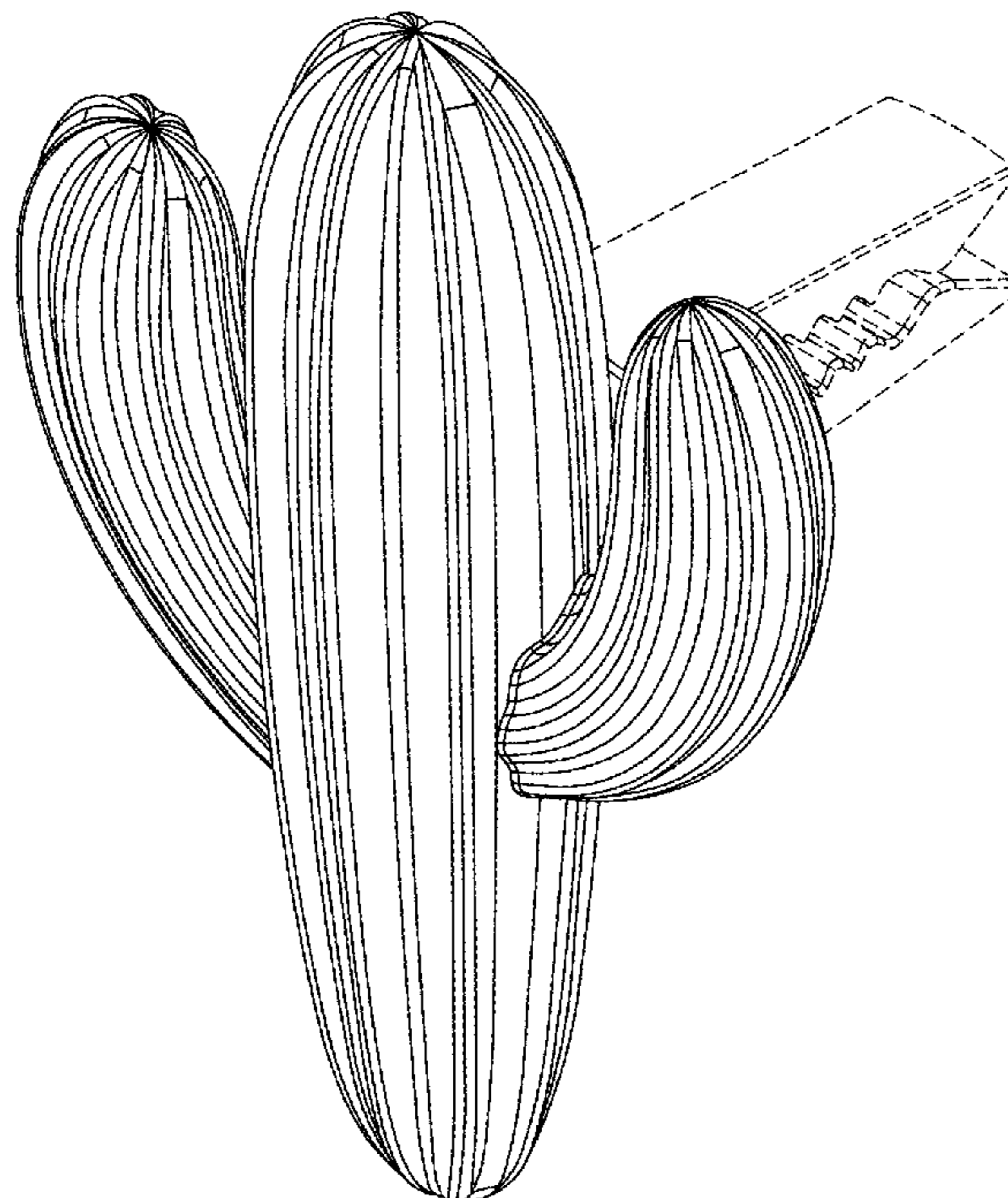
(57) **CLAIM**

The ornamental design for a diffusing evaporator of active  
substances, as shown and described.

**DESCRIPTION**

FIG. 1 is a perspective view of a diffusing evaporator of  
active substances embodying the new design;  
FIG. 2 is a rear elevation view thereof;  
FIG. 3 is a left side elevation view thereof;  
FIG. 4 is a front elevation view thereof;  
FIG. 5 is a right side elevation view thereof;  
FIG. 6 is a top plan view thereof; and,  
FIG. 7 is a bottom plan view thereof.  
The broken lines in the figures illustrate the portions of the  
design that form no part of the claimed design.

**1 Claim, 7 Drawing Sheets**



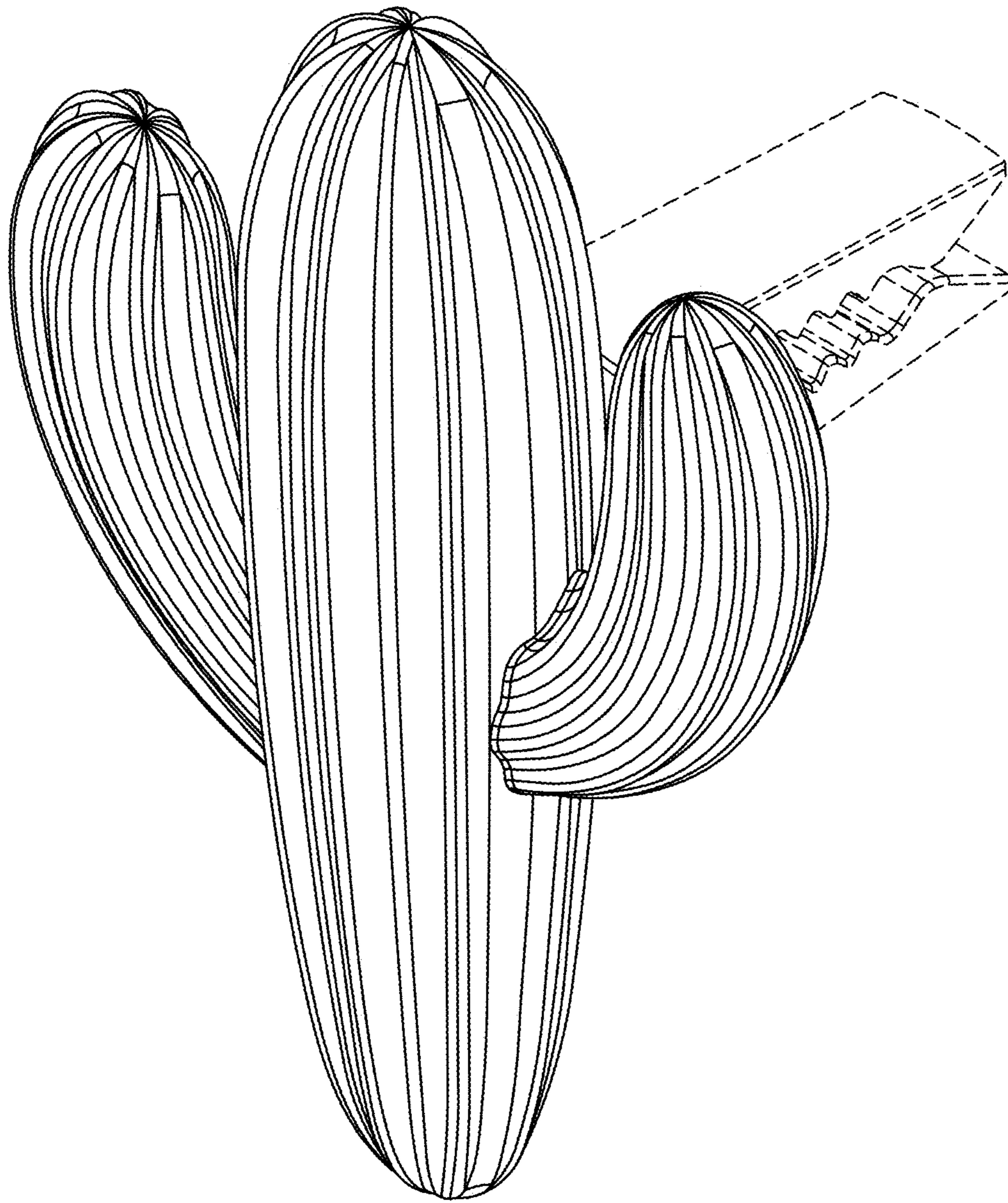


FIG. 1

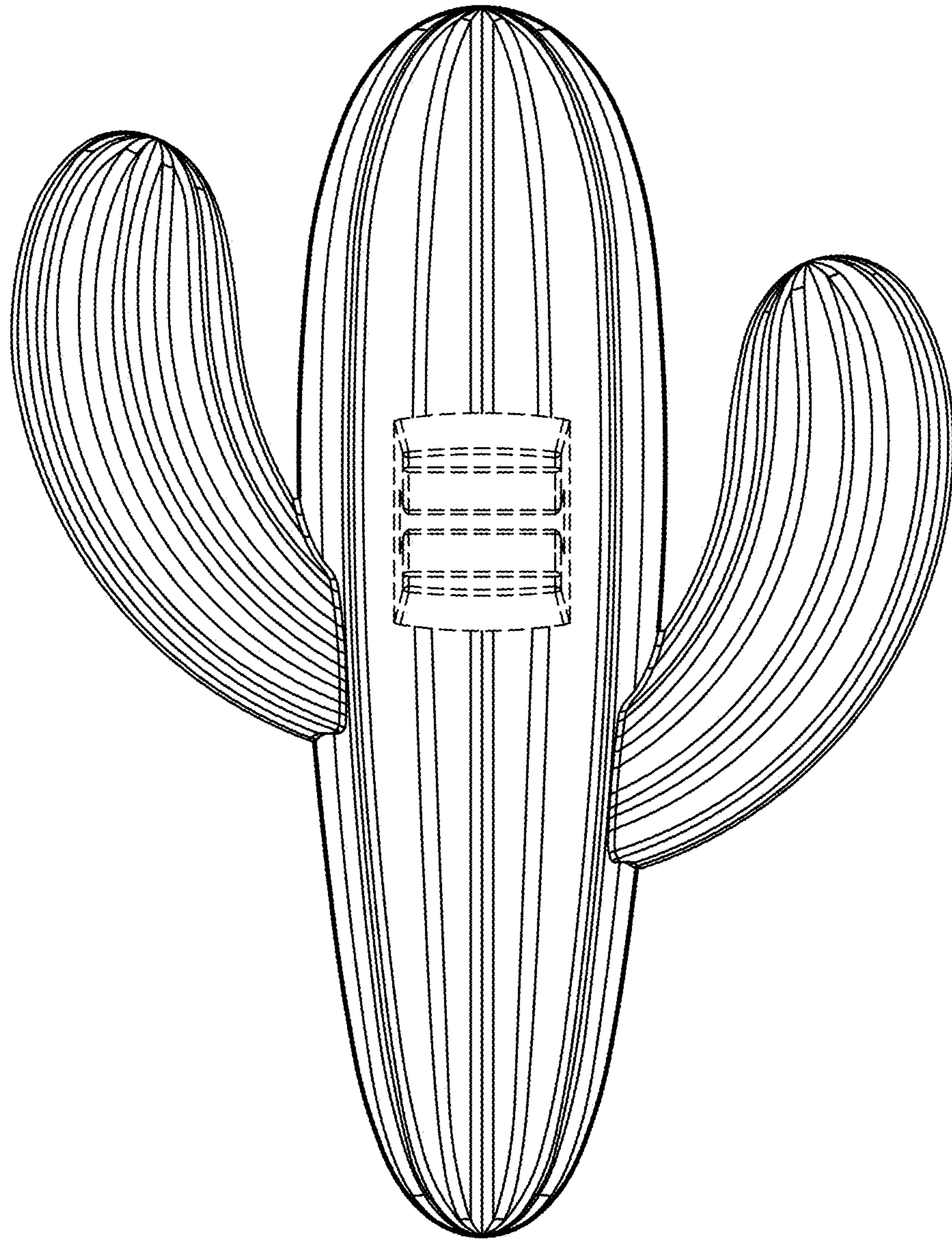


FIG. 2

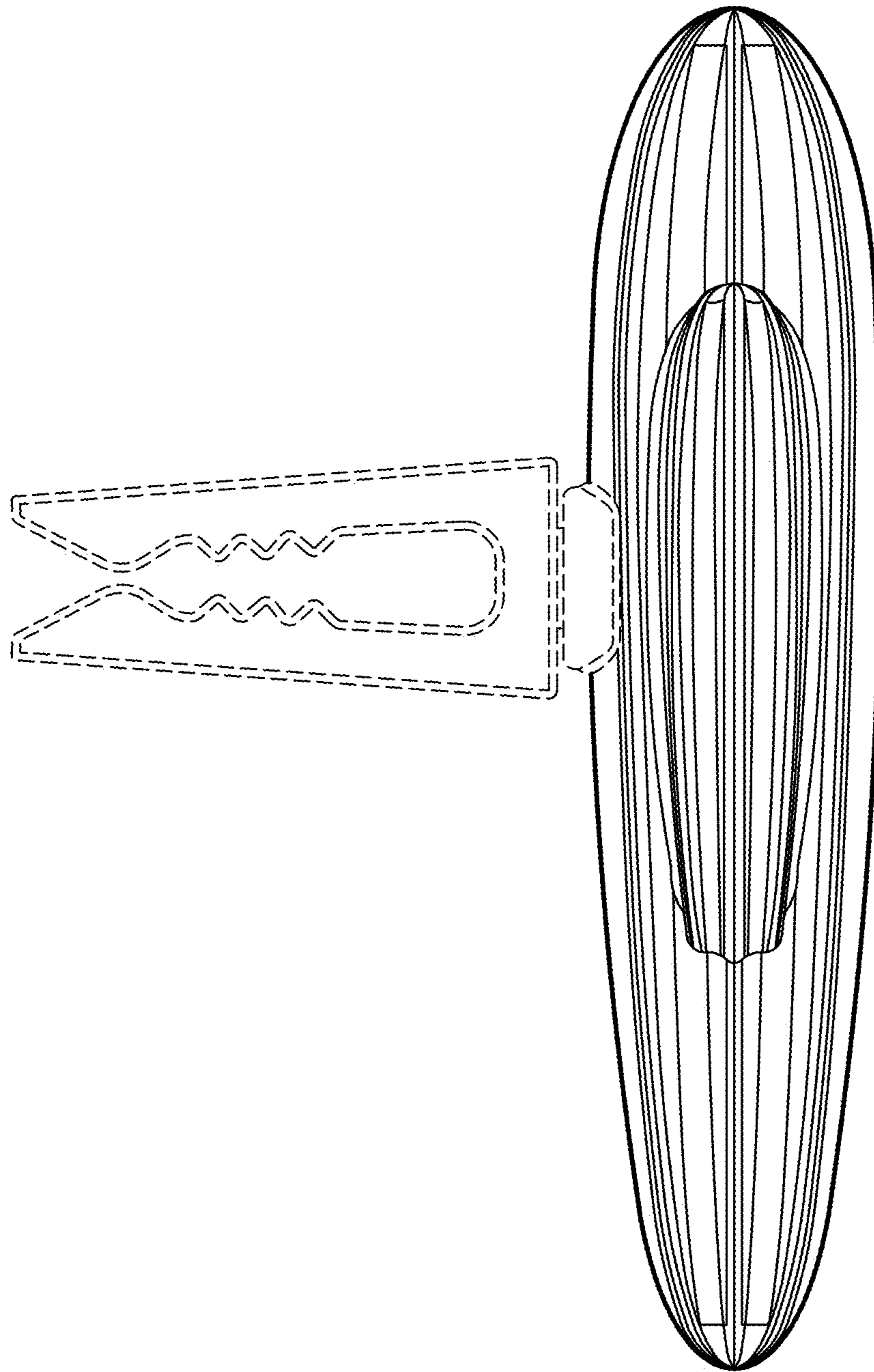


FIG. 3

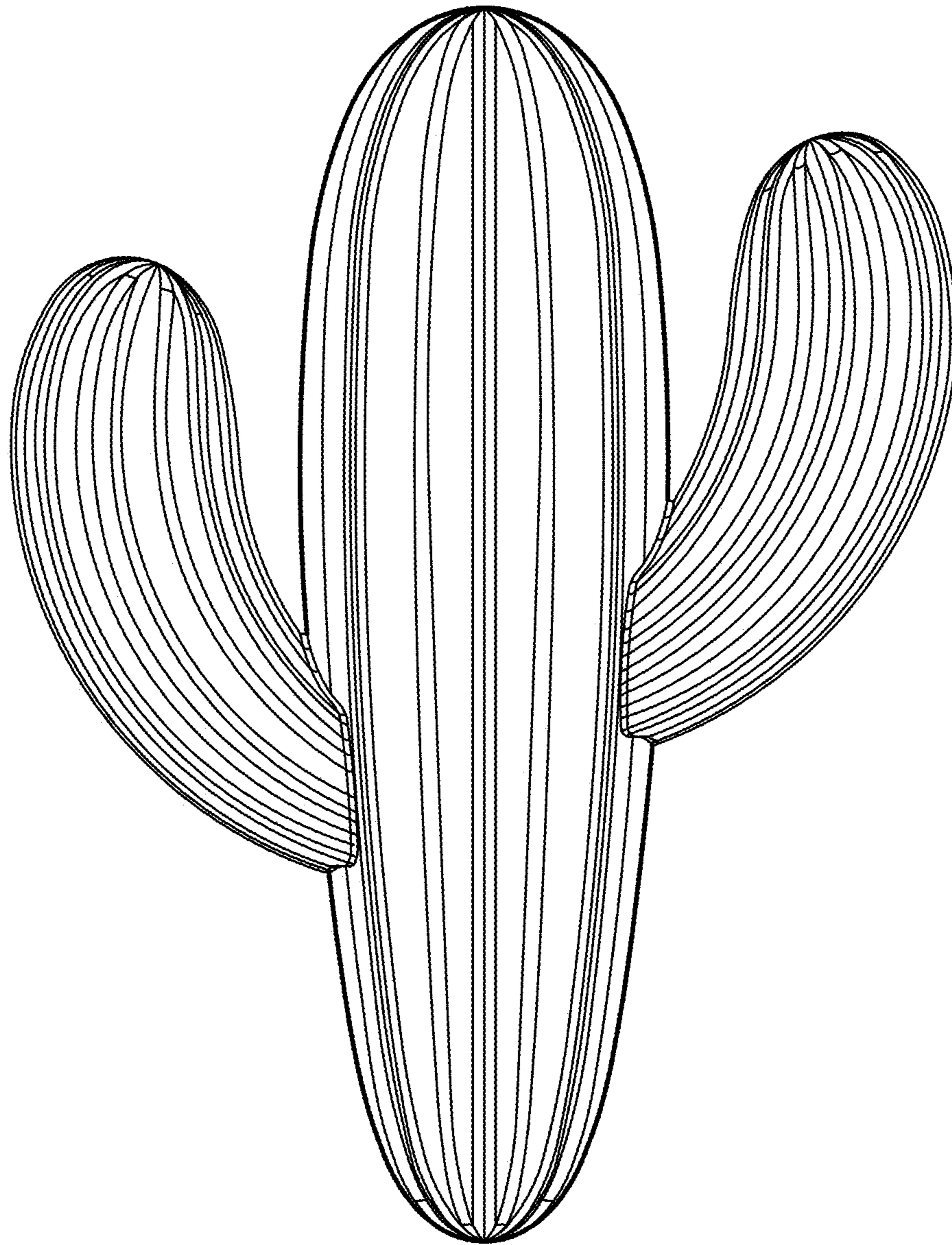


FIG. 4

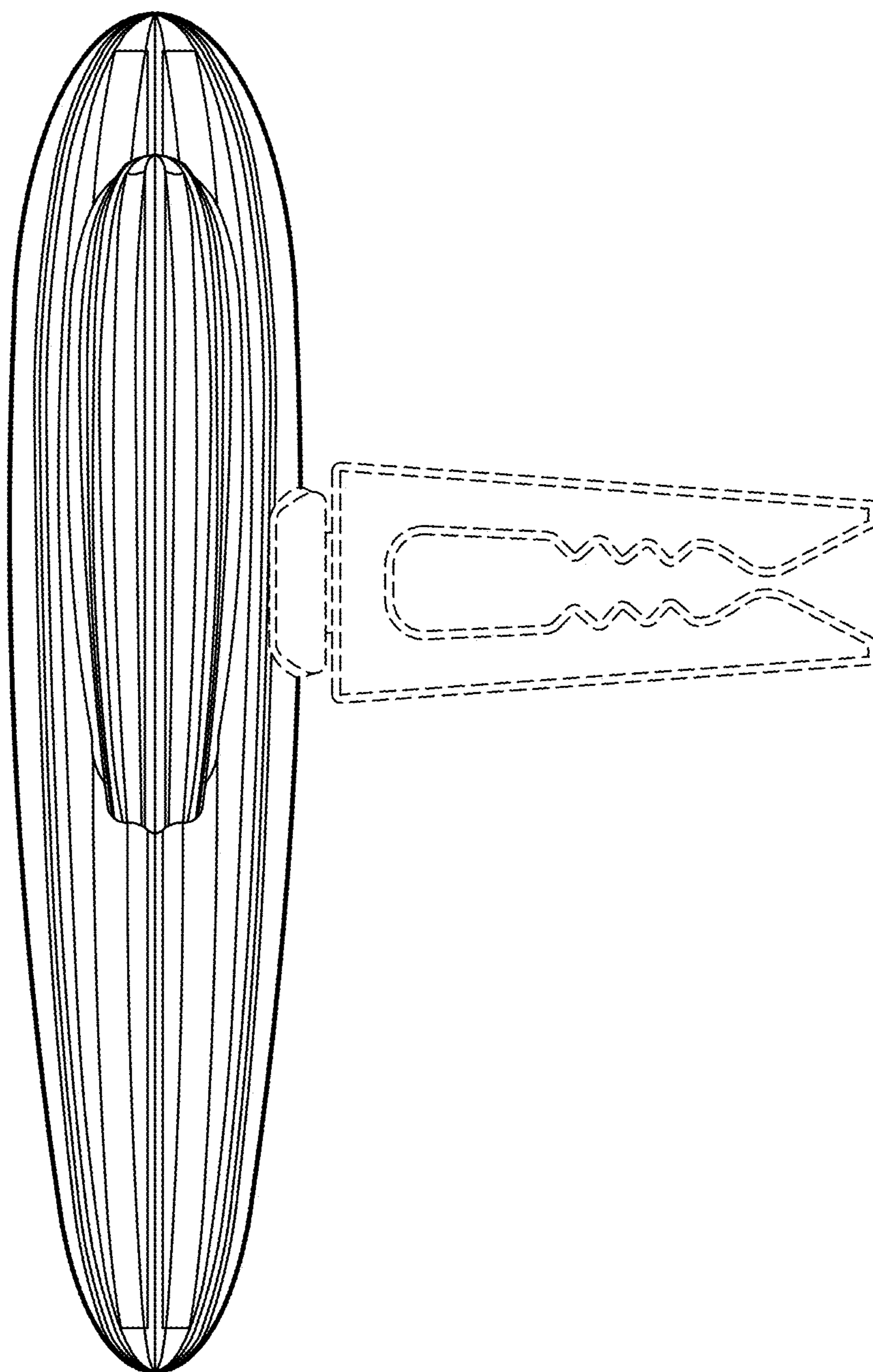


FIG. 5

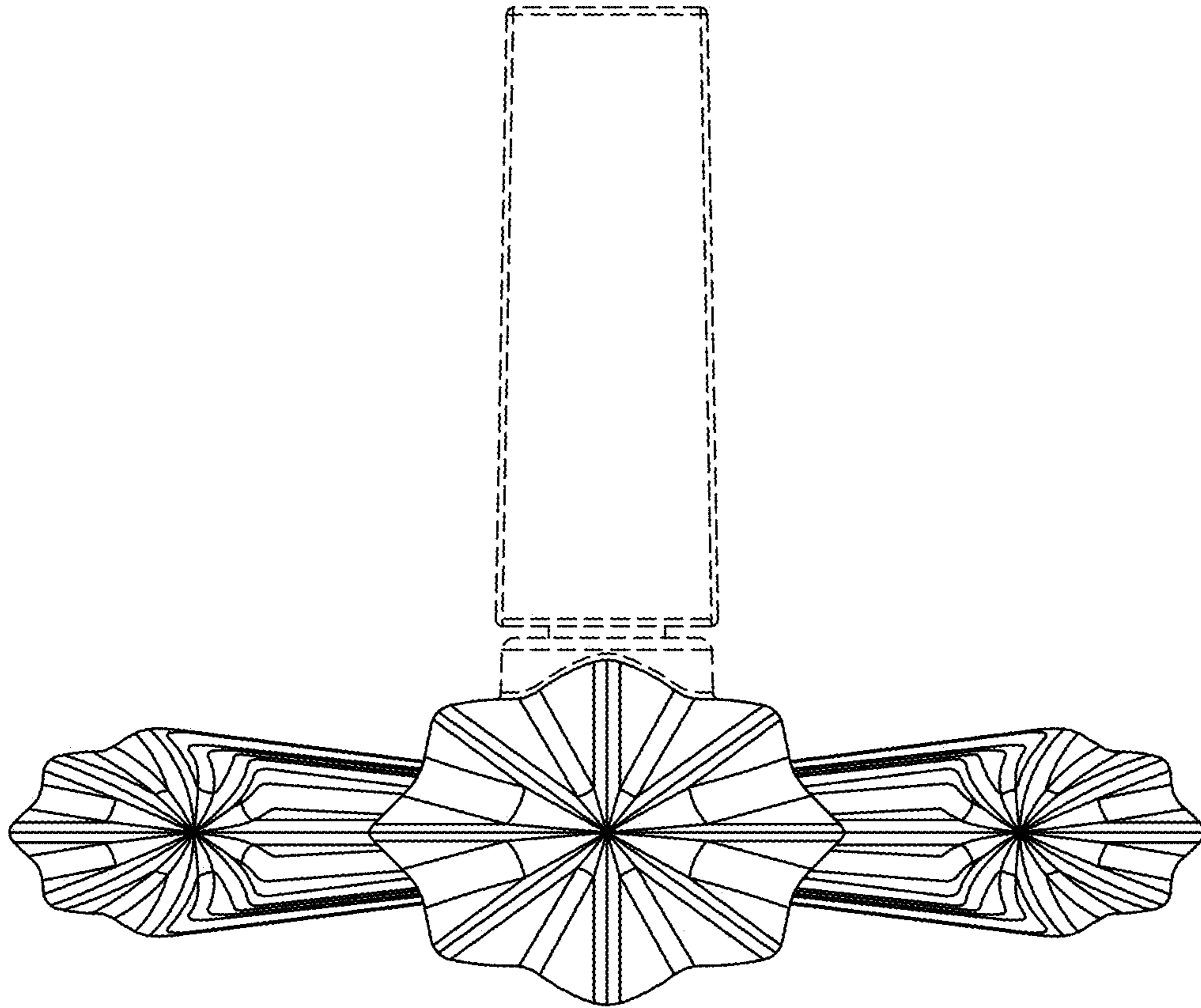


FIG. 6

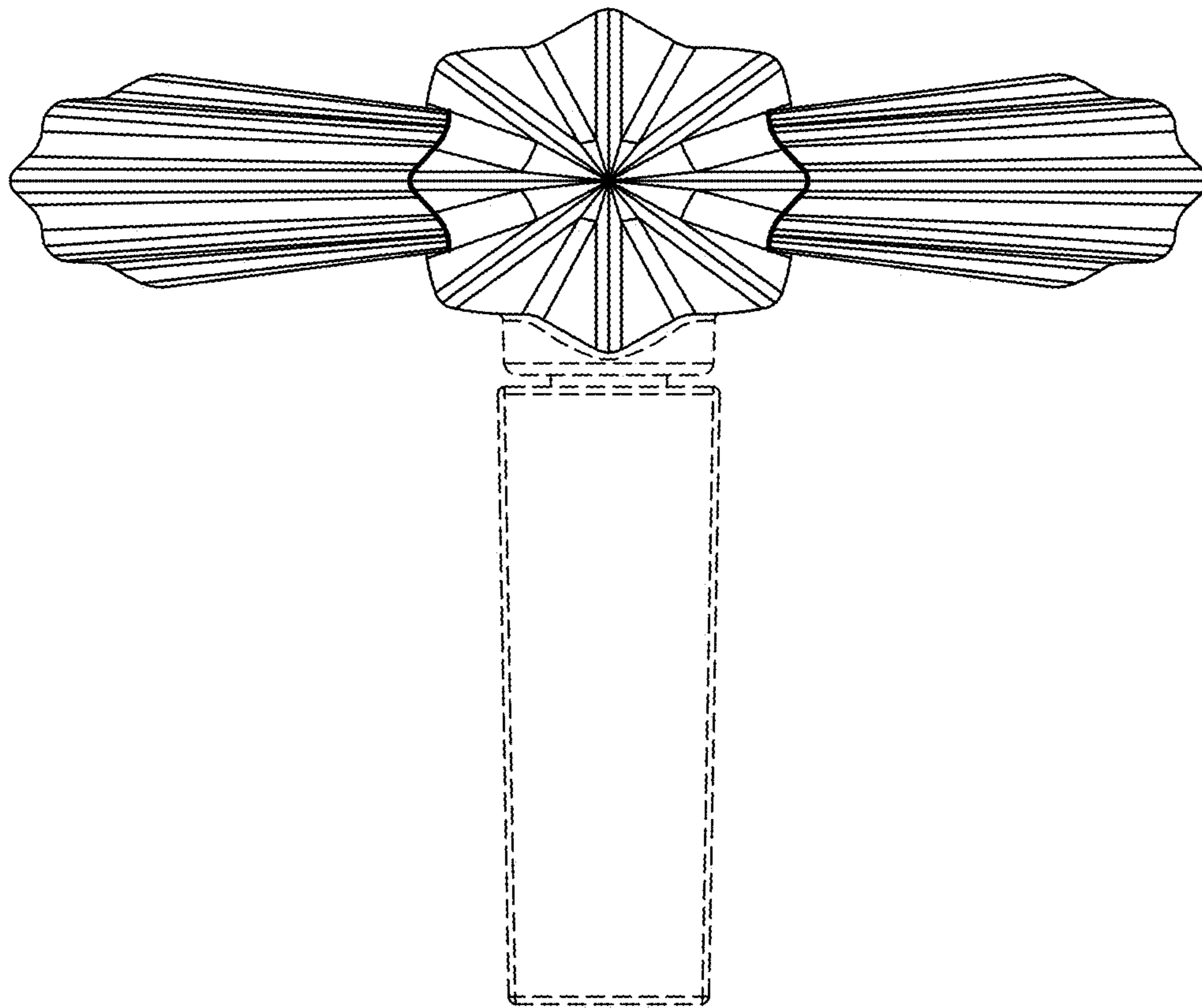


FIG. 7