



US00D915575S

(12) **United States Design Patent** (10) **Patent No.:** **US D915,575 S**
Chen (45) **Date of Patent:** **** *Apr. 6, 2021**

(54) **AROMA DIFFUSER**
(71) Applicant: **Zhenzhong Chen**, Guangdong (CN)
(72) Inventor: **Zhenzhong Chen**, Guangdong (CN)
(*) Notice: This patent is subject to a terminal disclaimer.
(**) Term: **15 Years**
(21) Appl. No.: **29/659,290**
(22) Filed: **Aug. 8, 2018**
(51) **LOC (13) Cl.** **23-04**
(52) **U.S. Cl.**
USPC **D23/366**
(58) **Field of Classification Search**
USPC D23/208, 355-369; D14/209.1, 212-213
CPC A61L 9/02; A61L 9/03; A61L 9/12; A61L
9/035; A61L 9/125
See application file for complete search history.

D822,812 S * 7/2018 Hu D23/356
D831,186 S * 10/2018 Tamras D23/366
D848,399 S * 5/2019 Burlingame D14/221
D850,596 S * 6/2019 Wu D23/366
D852,344 S * 6/2019 Hua D23/364

* cited by examiner

Primary Examiner — Sheryl Lane
Assistant Examiner — Calvin E Vansant
(74) *Attorney, Agent, or Firm* — King & Wood Mallesons LLP

(57) **CLAIM**

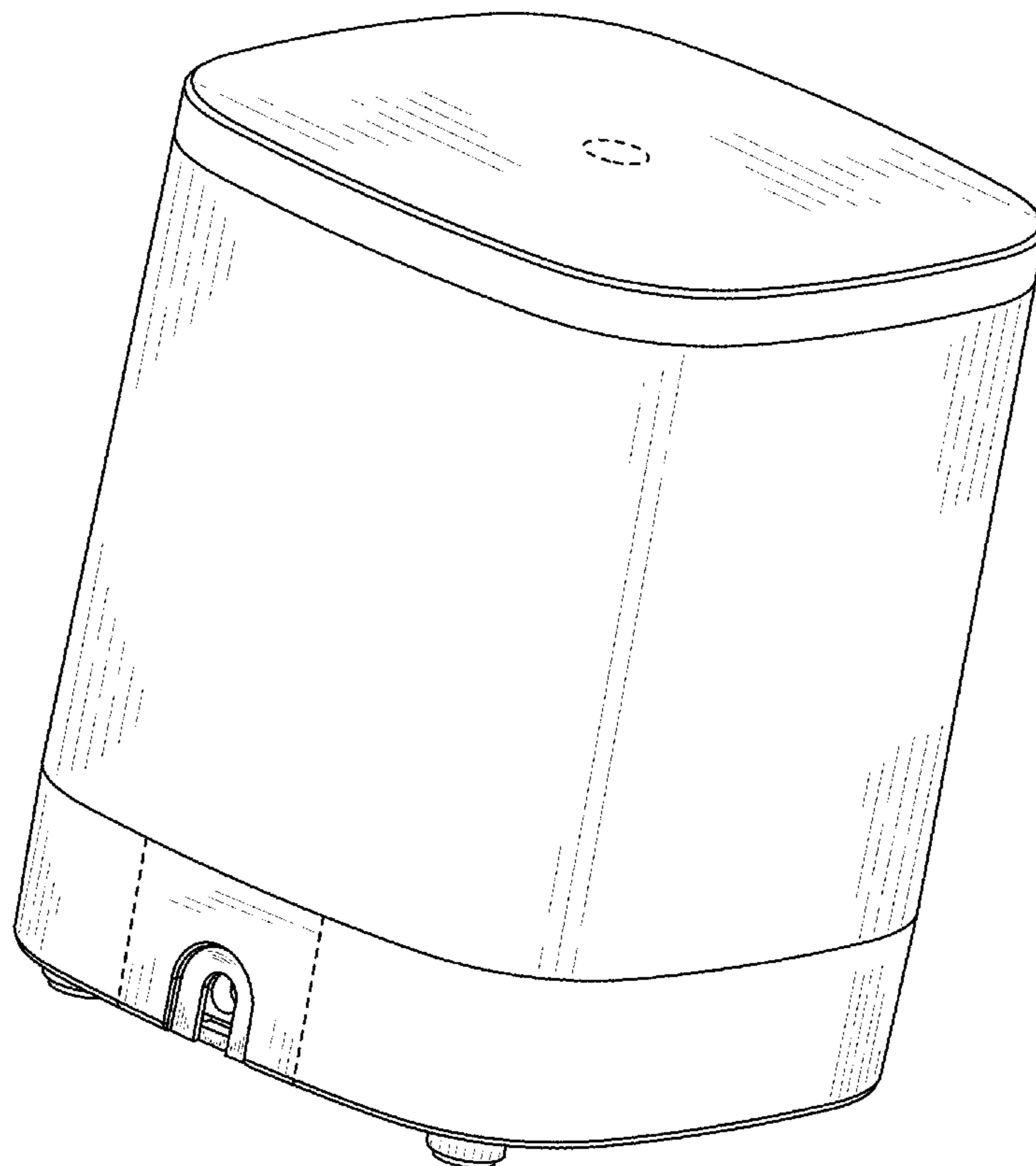
I claim the ornamental design for an aroma diffuser, as shown and described.

DESCRIPTION

FIG. 1 is a front, right and top perspective view of an aroma diffuser showing my new design;
FIG. 2 is a front and bottom perspective view thereof;
FIG. 3 is a front elevational view thereof;
FIG. 4 is a rear elevational view thereof;
FIG. 5 is a left side elevational view thereof;
FIG. 6 is a right side elevational view thereof;
FIG. 7 is a top plan view thereof; and,
FIG. 8 is a bottom plan view thereof.
The broken lines shown depict environment that forms no part of the claimed design.

(56) **References Cited**
U.S. PATENT DOCUMENTS
D360,461 S * 7/1995 Gillespie D23/366
D700,527 S * 3/2014 Garrett D10/15
D721,061 S * 1/2015 Burlingame D14/216
D728,089 S * 4/2015 Crisa' D23/366
D763,262 S * 8/2016 Hallar D14/434
D798,430 S * 9/2017 Nord D23/364
D810,266 S * 2/2018 Li D23/366

1 Claim, 8 Drawing Sheets



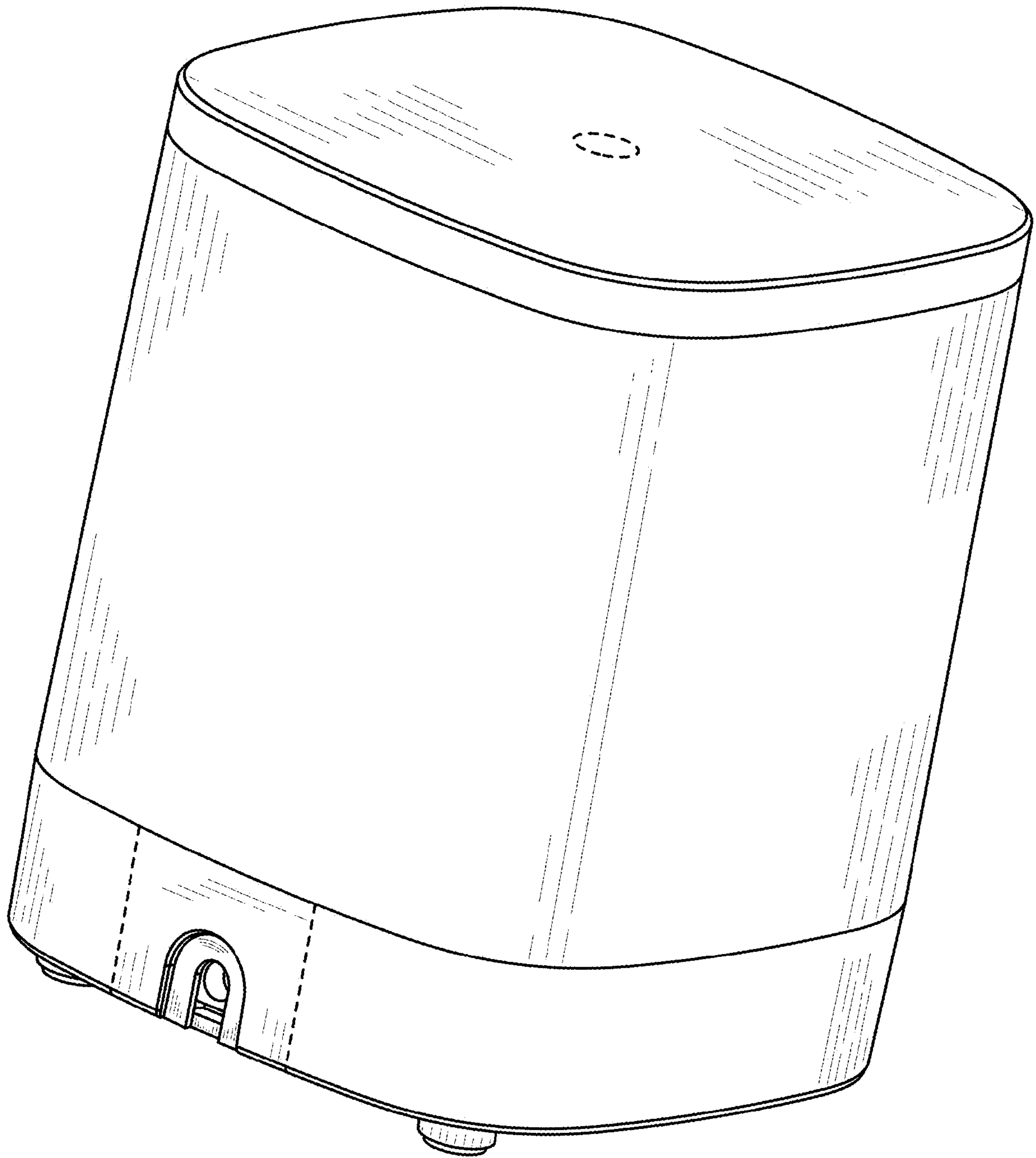


FIG. 1

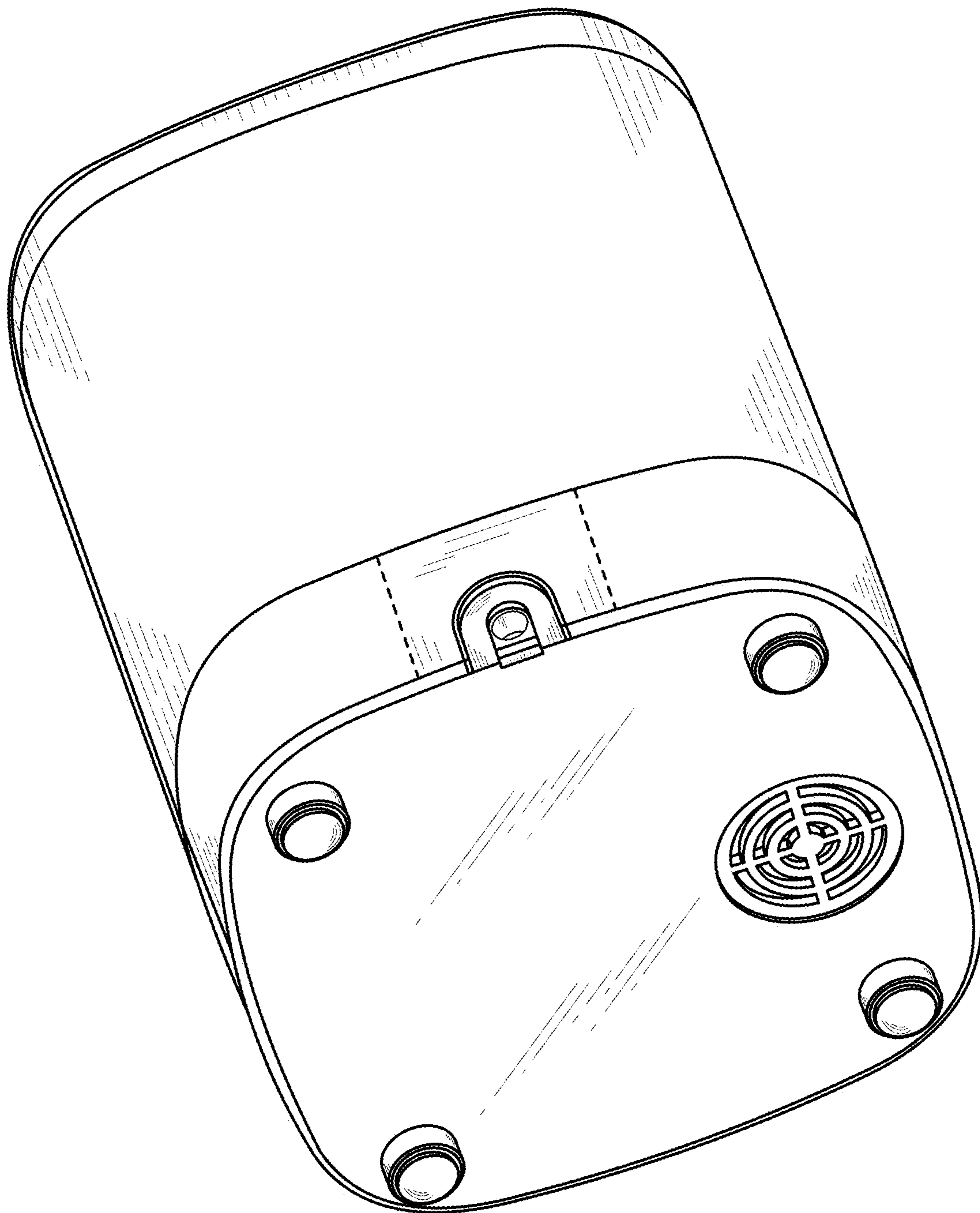


FIG. 2

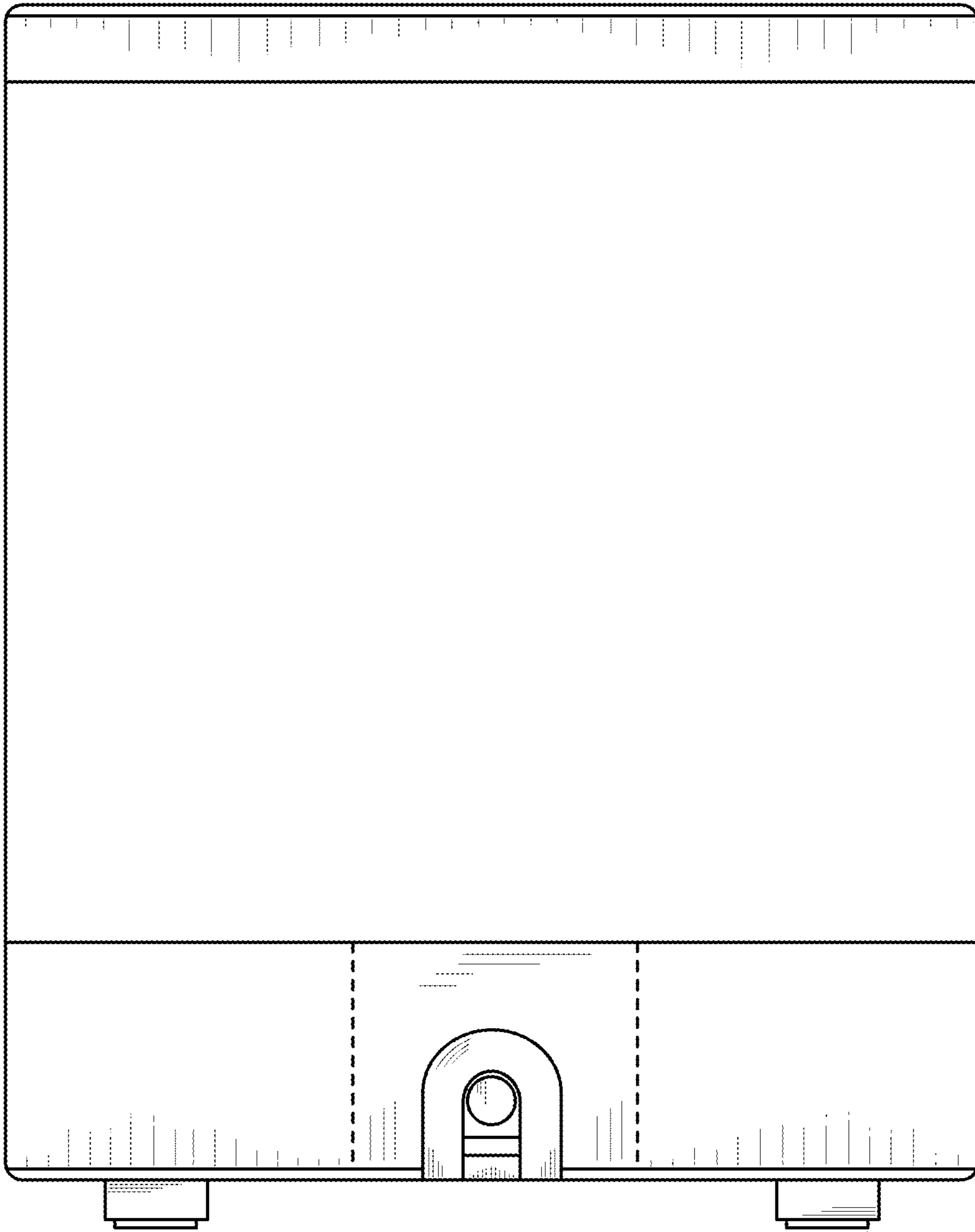


FIG. 3

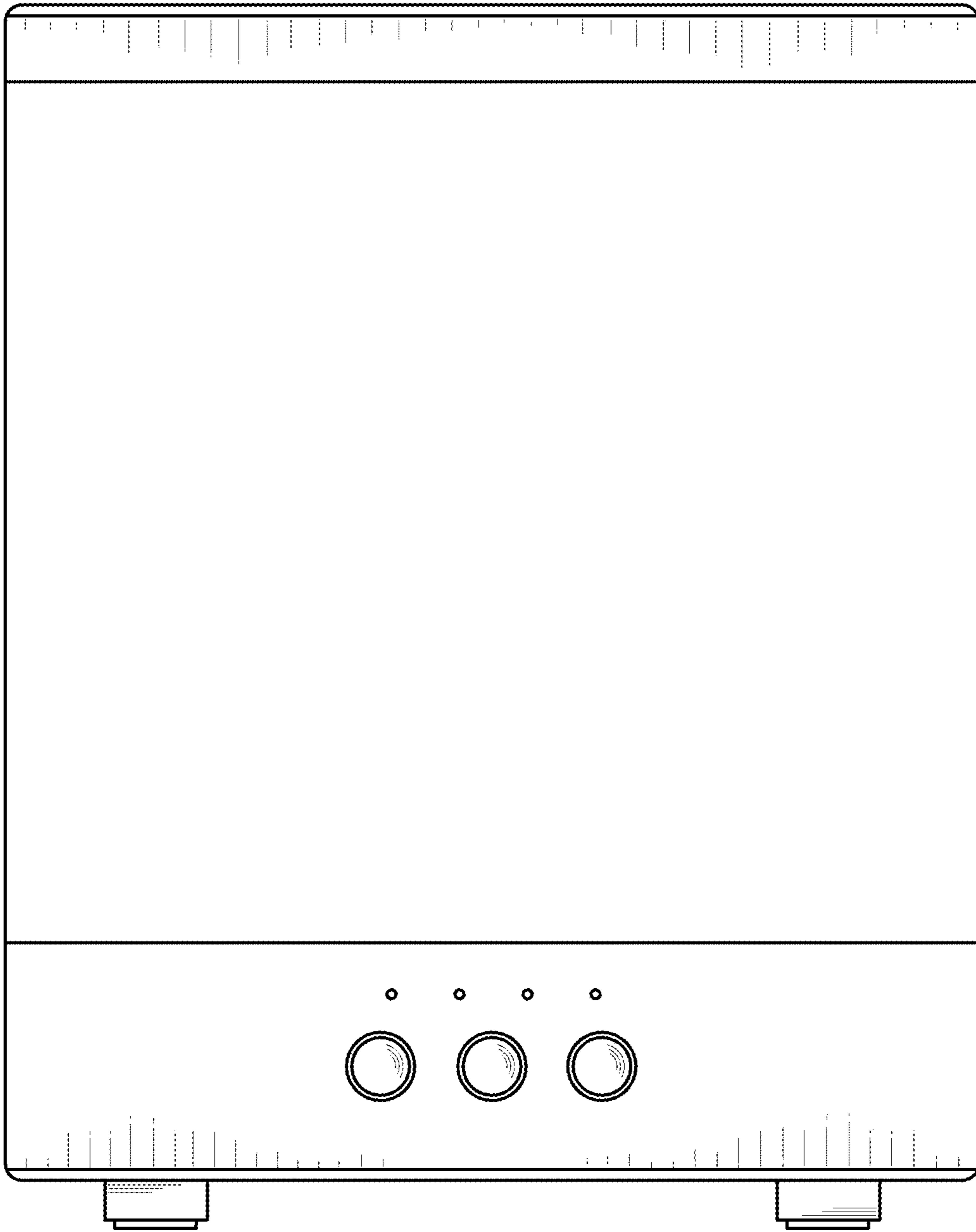


FIG. 4

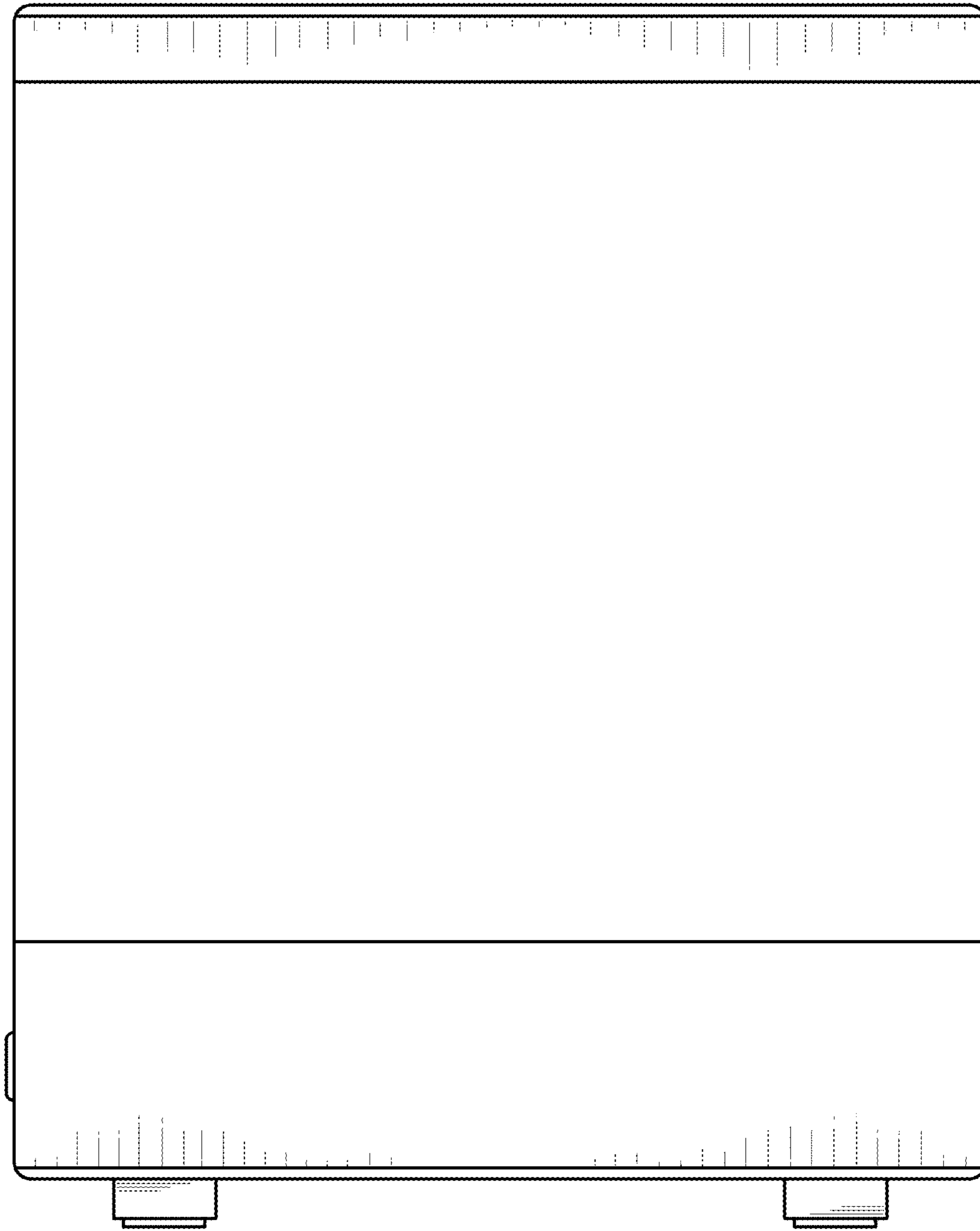


FIG. 5

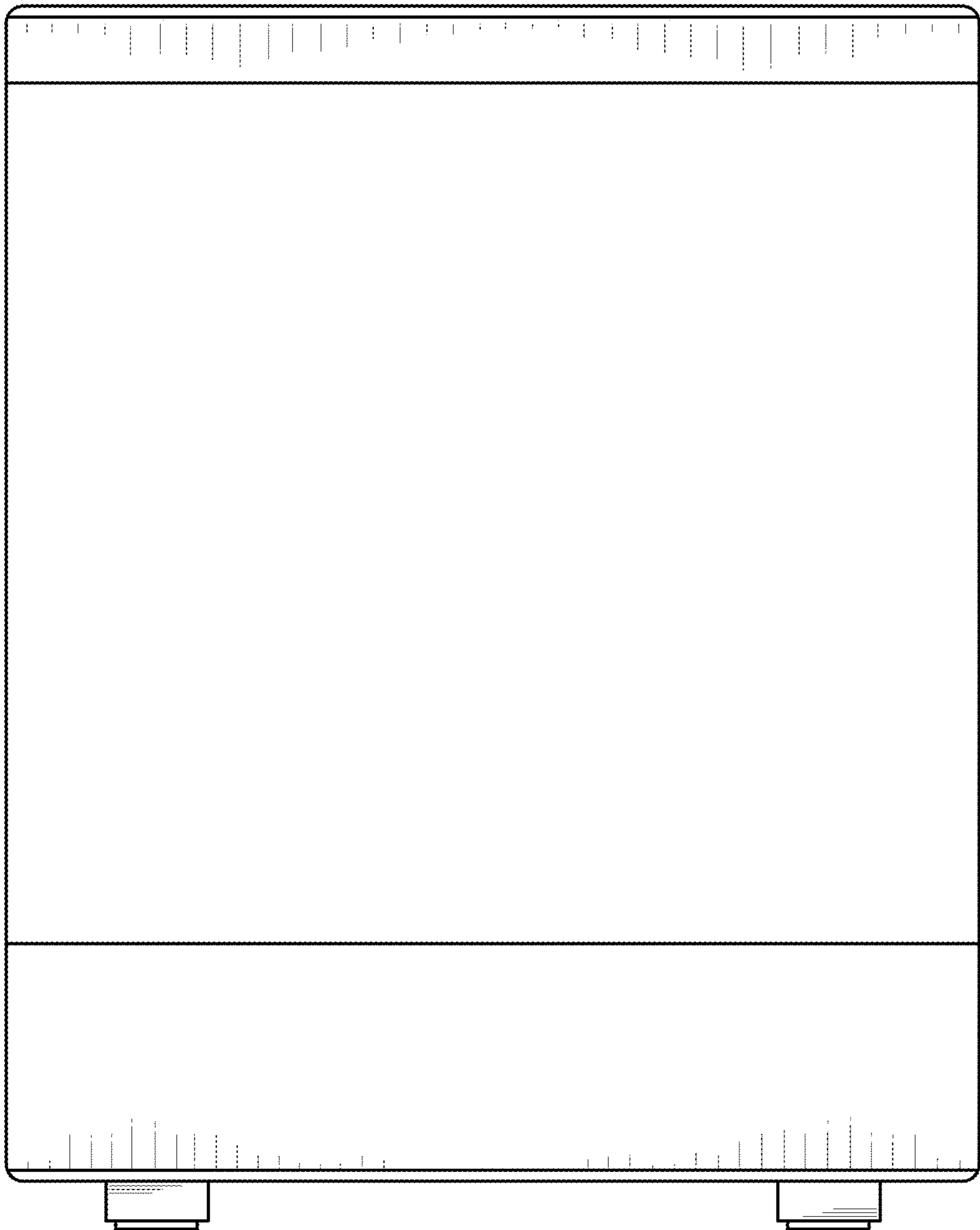


FIG. 6

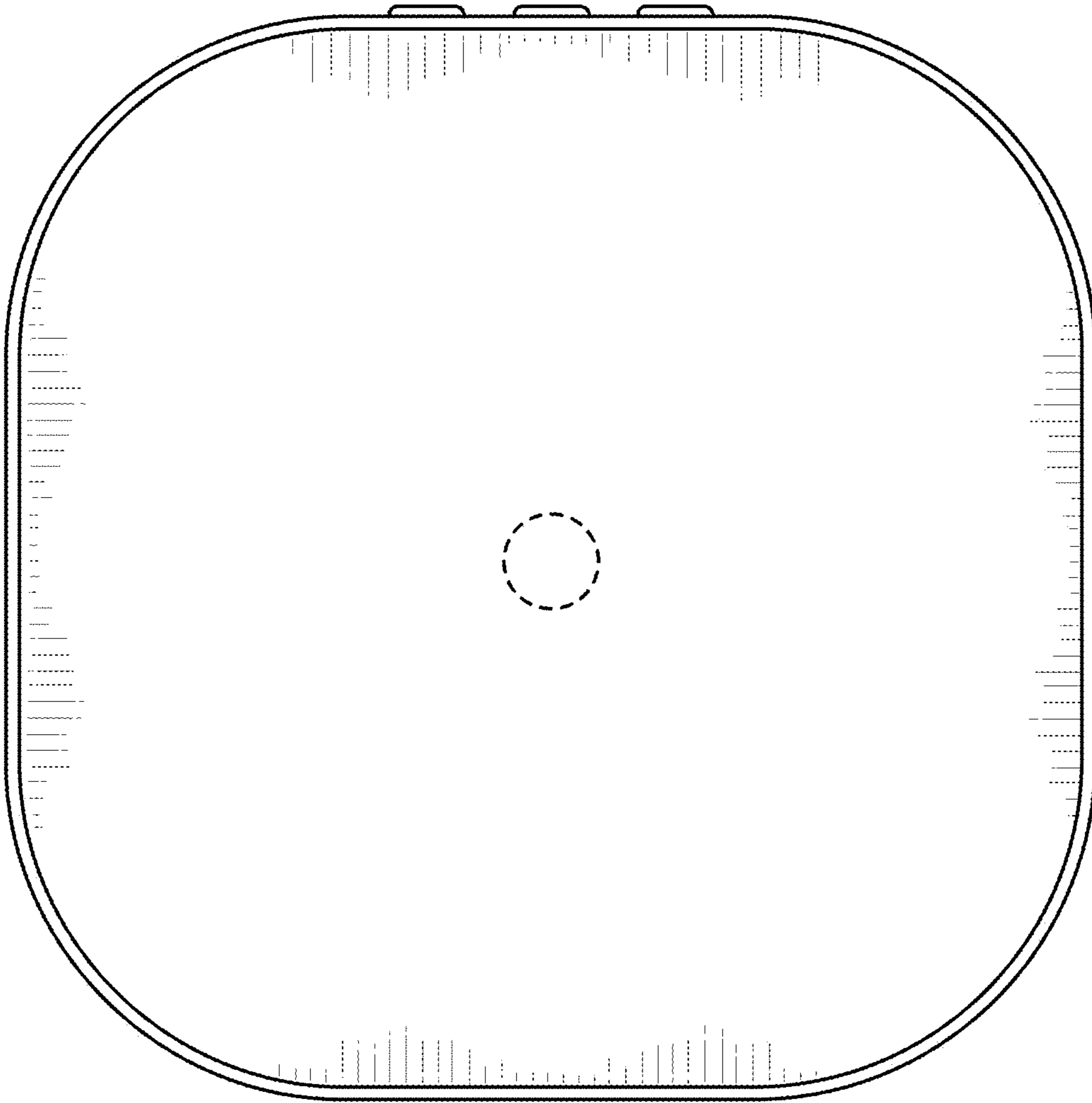


FIG. 7

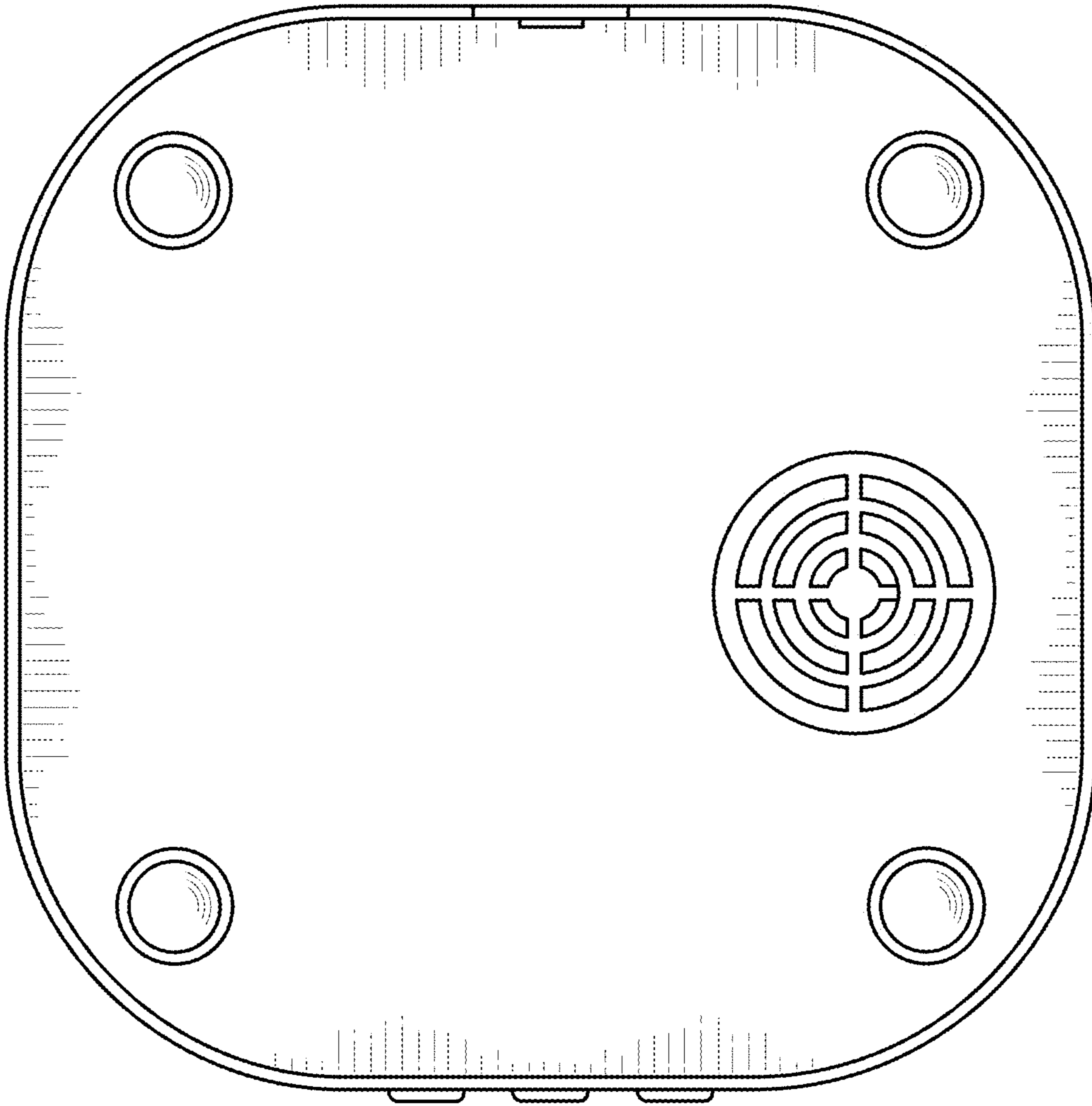


FIG. 8