



US00D915573S

(12) **United States Design Patent**
Zheng

(10) **Patent No.:** **US D915,573 S**

(45) **Date of Patent:** **** Apr. 6, 2021**

(54) **DEHUMIDIFIER**

(71) Applicant: **JunWen Zheng**, PuNing (CN)

(72) Inventor: **JunWen Zheng**, PuNing (CN)

(**) Term: **15 Years**

(21) Appl. No.: **29/709,258**

(22) Filed: **Oct. 12, 2019**

(51) **LOC (13) Cl.** **23-04**

(52) **U.S. Cl.**
USPC **D23/359**

(58) **Field of Classification Search**
USPC D23/355-366, 352, 369, 332, 333, 335,
D23/336, 342, 351; 422/120, 122;
55/356, 473, 504; 96/97; 261/DIG. 17,
261/DIG. 65, DIG. 88, DIG. 31
CPC .. A61L 9/16; A61L 9/22; B01D 47/00; B01D
47/027; B01D 2221/02; B01D 2259/4508;
B03C 3/155; B03C 3/368; F24F 3/16;
F24F 13/20; F24F 13/28; F24F
2001/0096

See application file for complete search history.

(56) **References Cited**

U.S. PATENT DOCUMENTS

D673,665 S *	1/2013	Langford	D23/359
D729,919 S *	5/2015	Yeom	D23/359
D874,626 S *	2/2020	Protet	D23/356
D876,599 S *	2/2020	He	D23/364
D877,873 S *	3/2020	Pan	D23/364
D879,273 S *	3/2020	Shih	D23/356

D886,269 S *	6/2020	Sakamoto	D23/356
D888,921 S *	6/2020	Fujii	D23/364
D903,082 S *	11/2020	Arinsmier	D23/366
D903,847 S *	12/2020	Hernandez	D23/364
2006/0015974 A1 *	1/2006	Ike	F24F 3/1423 62/113
2013/0109292 A1 *	5/2013	Yamashita	F24F 1/0071 454/249
2014/0224127 A1 *	8/2014	Nagata	F24F 13/28 96/134

* cited by examiner

Primary Examiner — David G Muller

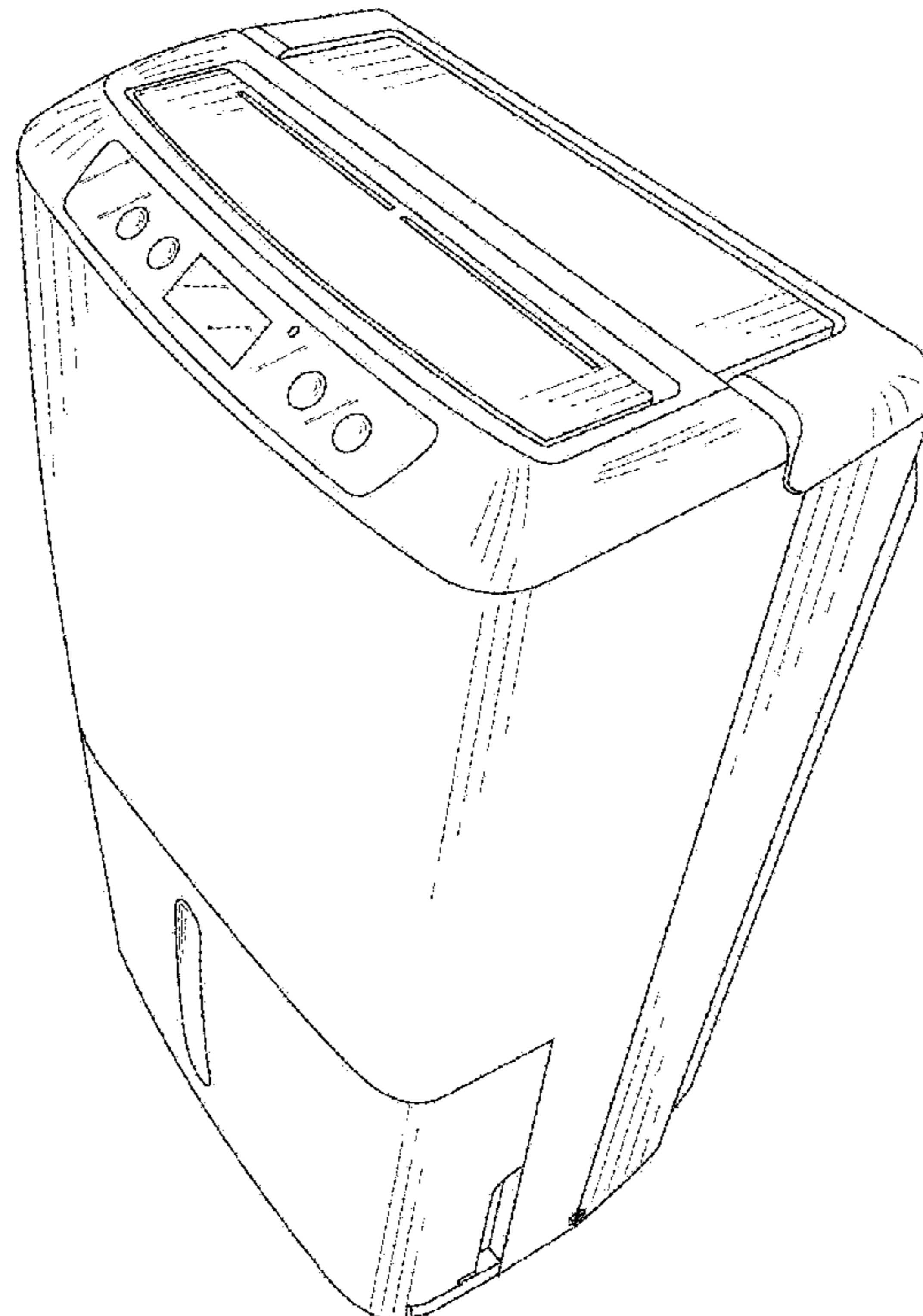
(57) **CLAIM**

The ornamental design for a dehumidifier, as shown and described.

DESCRIPTION

FIG. 1 is a perspective view of a dehumidifier showing my new design;
FIG. 2 is a front elevation view thereof;
FIG. 3 is a rear elevation view thereof;
FIG. 4 is a left side elevation view thereof;
FIG. 5 is a right side elevation view thereof;
FIG. 6 is a top plan view thereof;
FIG. 7 is a bottom plan view thereof; and,
FIG. 8 is a perspective view of the use state.
The broken lines depict portions of the dehumidifier that form no part of the claimed design.

1 Claim, 8 Drawing Sheets



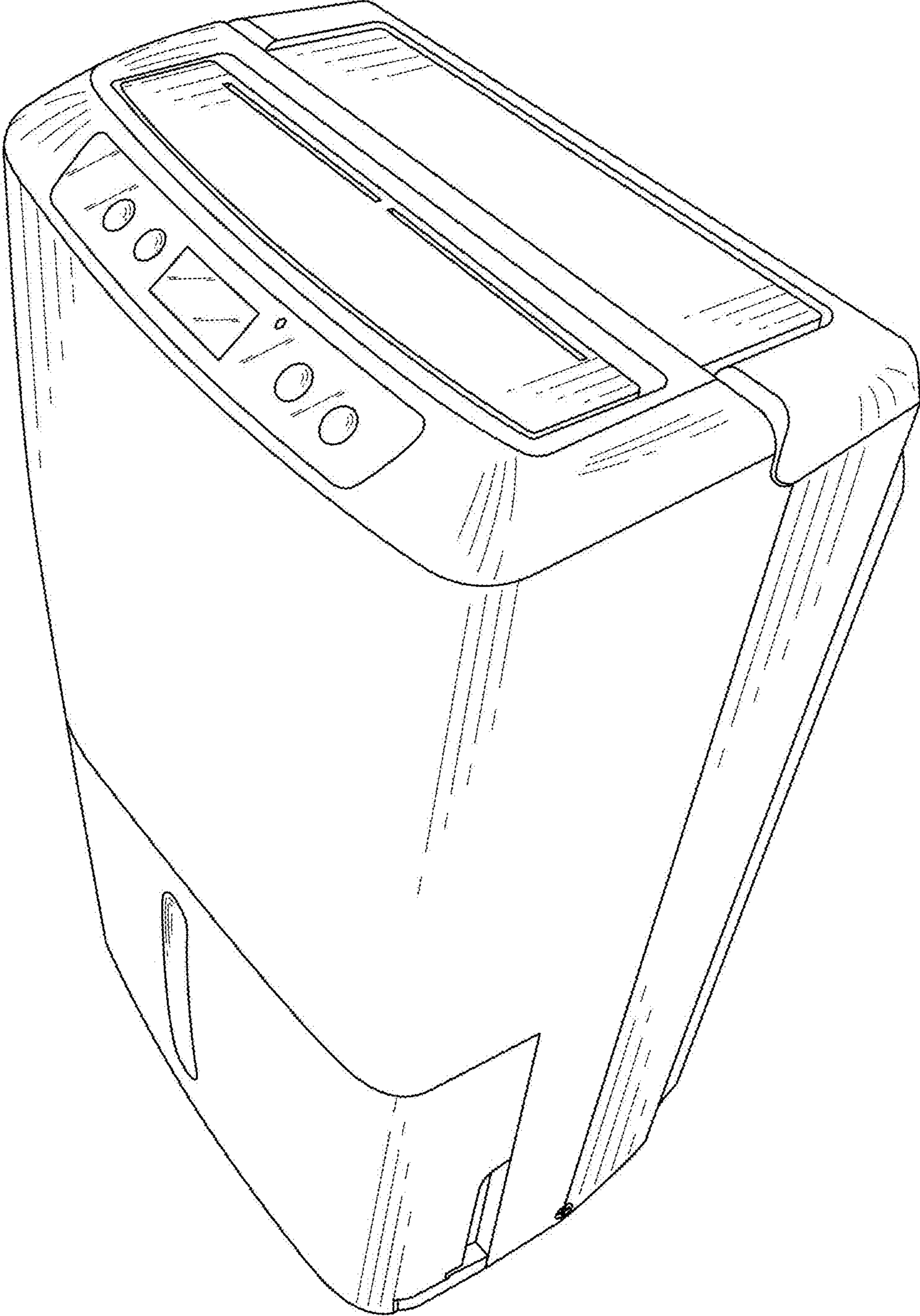


FIG.1

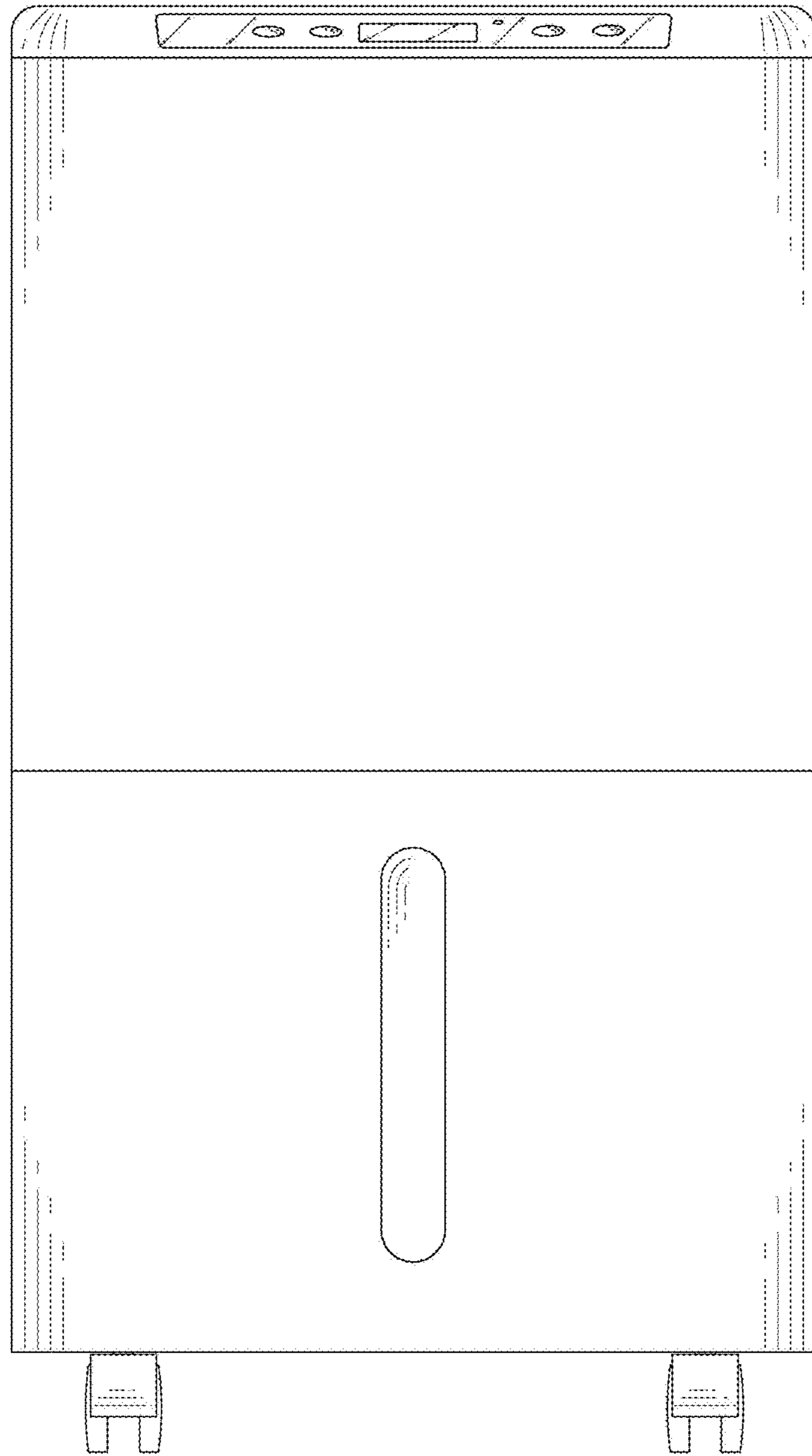


FIG.2

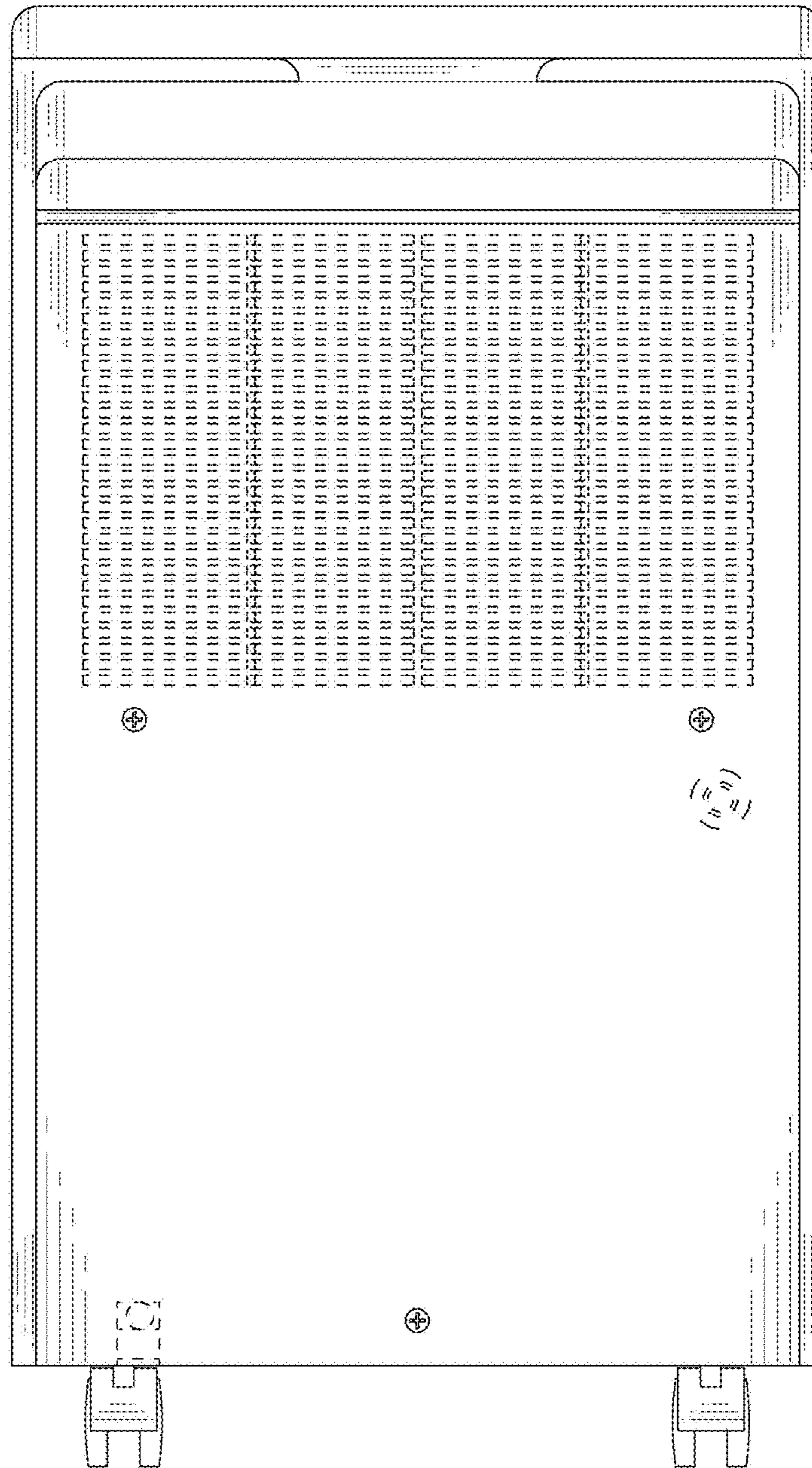


FIG.3

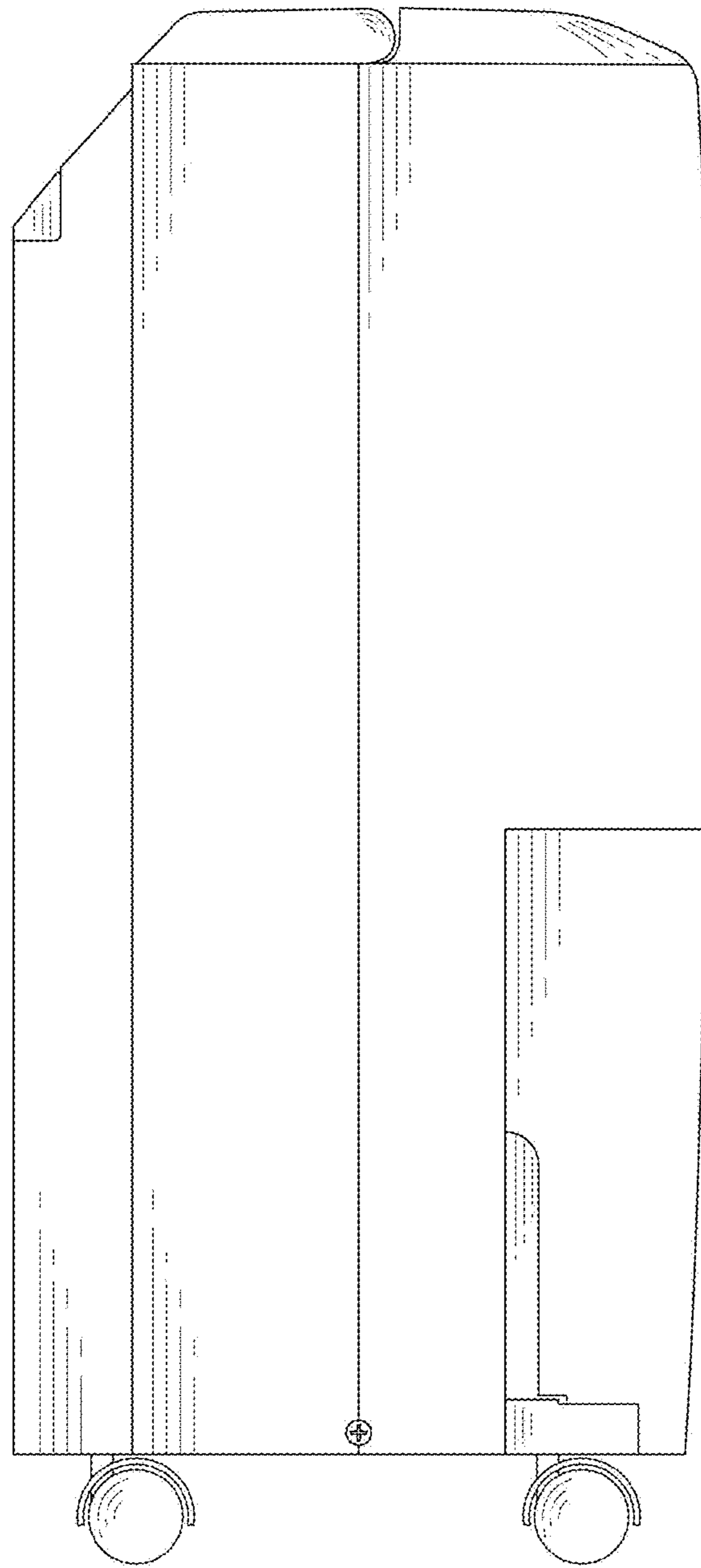


FIG.4

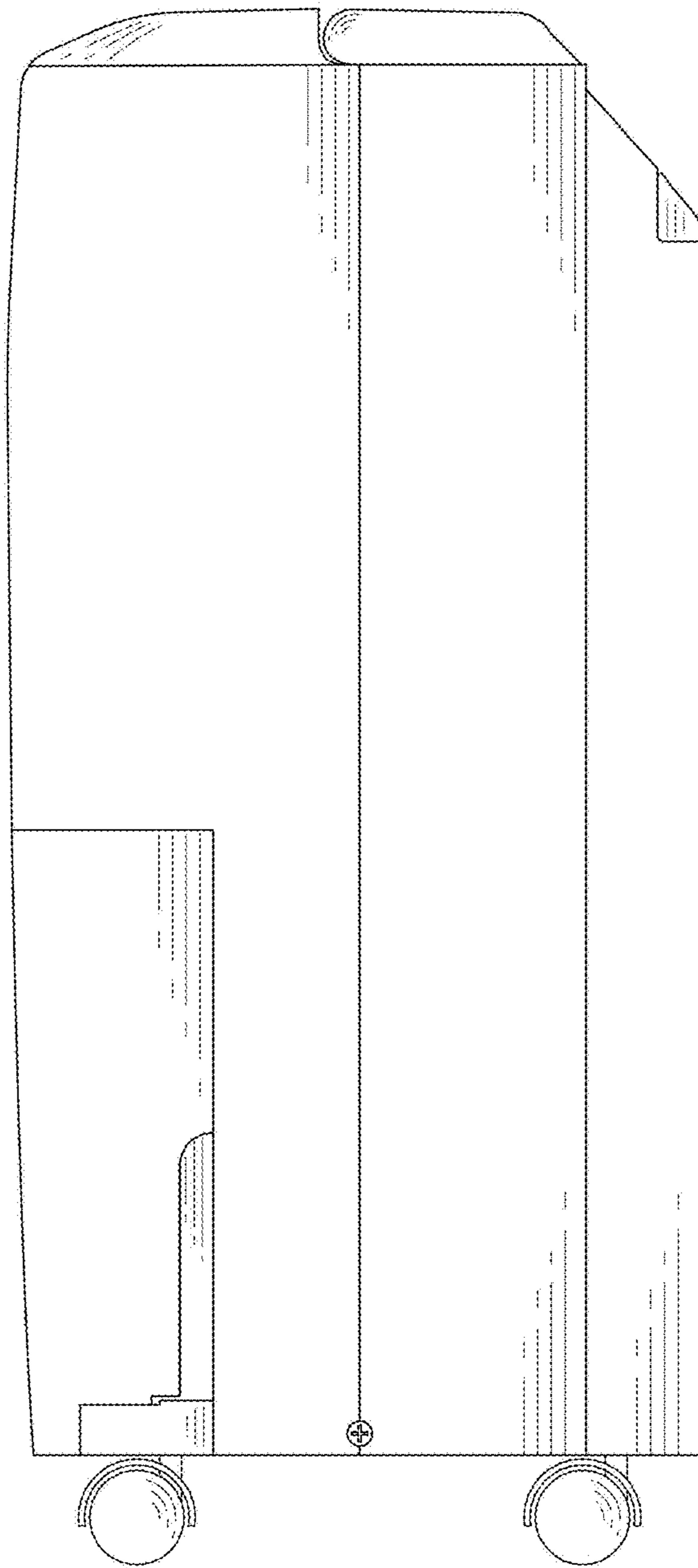


FIG. 5

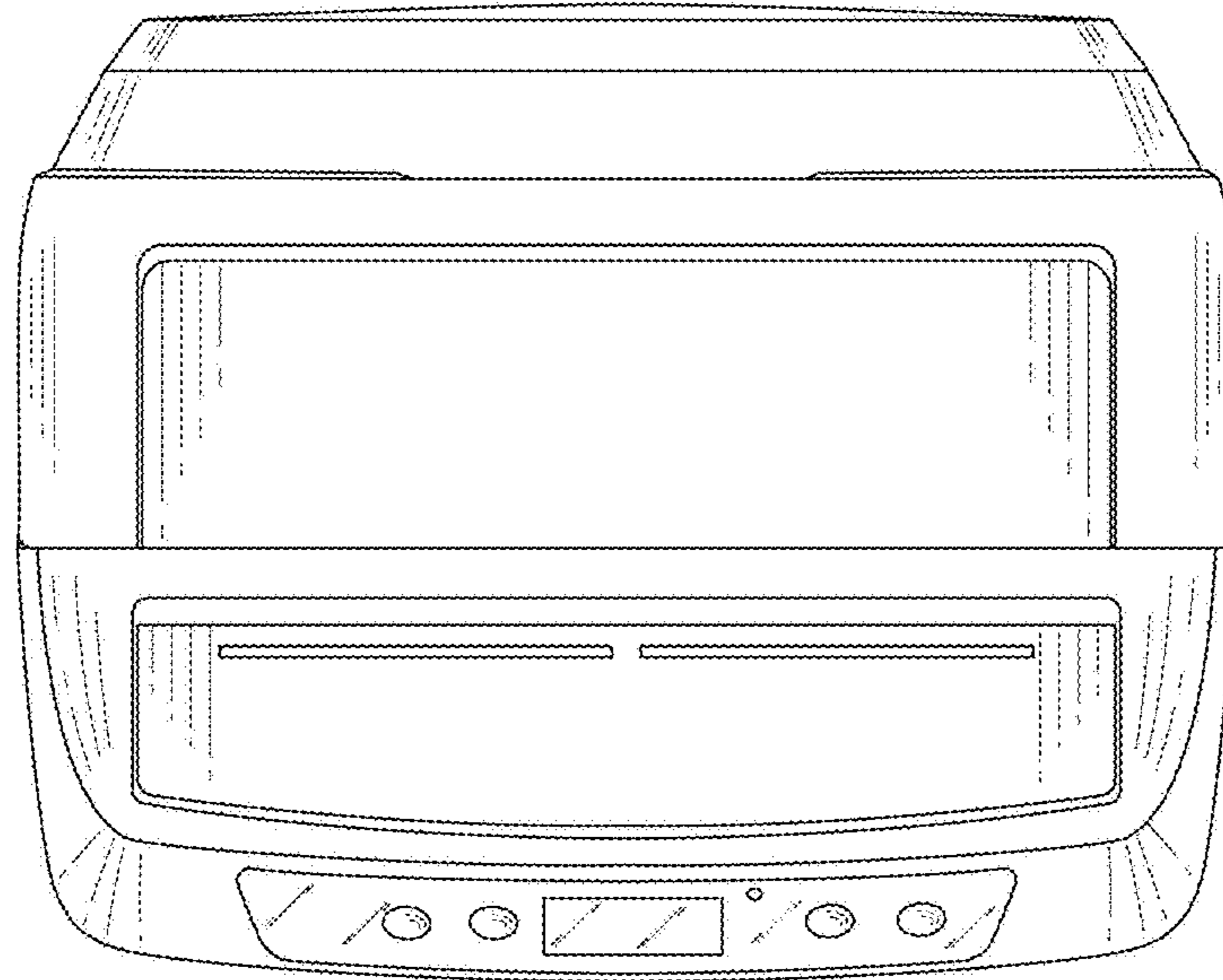


FIG. 6

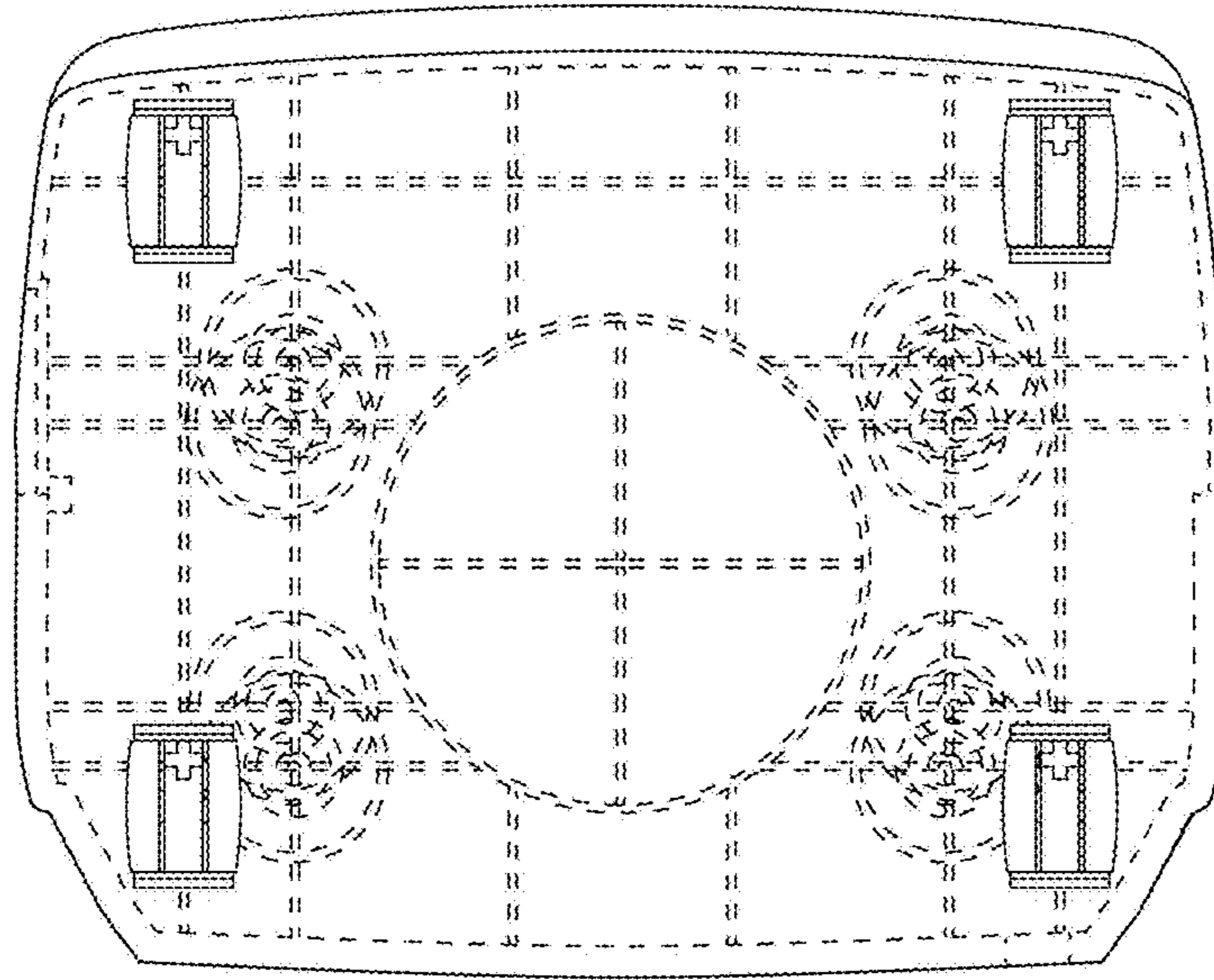


FIG. 7

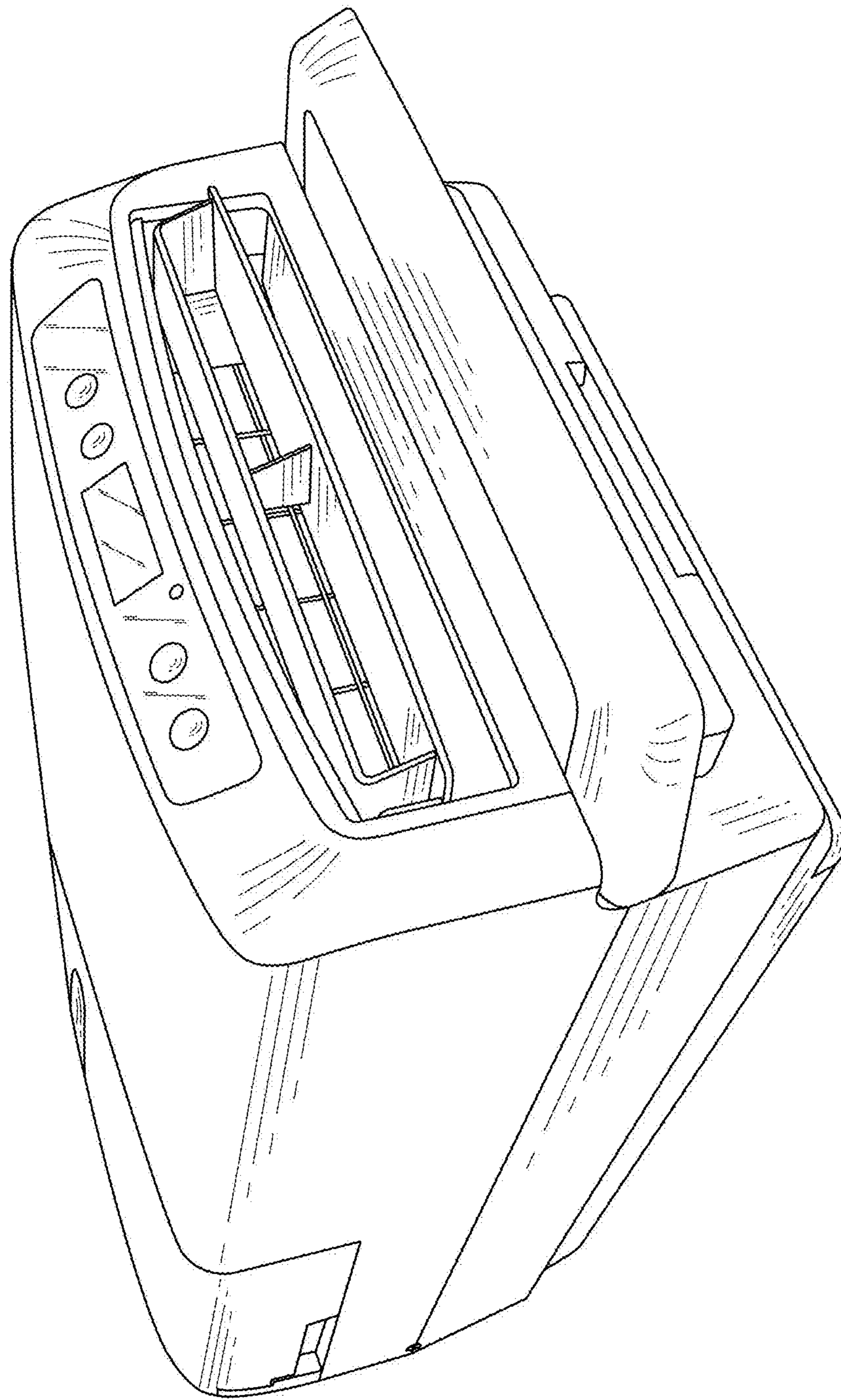


FIG. 8