



US00D915570S

(12) **United States Design Patent** (10) **Patent No.:** **US D915,570 S**
Pellerin (45) **Date of Patent:** **** Apr. 6, 2021**

(54) **HEATER**

(71) Applicant: **Stelpro Design Inc.**,
Saint-Bruno-de-Montarville (CA)

(72) Inventor: **Daniel Pellerin**,
Saint-Bruno-de-Montarville (CA)

(**) Term: **15 Years**

(21) Appl. No.: **29/645,579**

(22) Filed: **Apr. 27, 2018**

(51) **LOC (13) Cl.** **23-03**

(52) **U.S. Cl.**
USPC **D23/332**

(58) **Field of Classification Search**
USPC D23/314, 317, 329, 332, 333, 334, 335,
D23/336, 337, 338, 339, 340, 341, 342
CPC F24H 3/0488; F24H 3/0417; F24H 9/0073;
F24H 9/1881; F23D 14/36
See application file for complete search history.

(56) **References Cited**

U.S. PATENT DOCUMENTS

D544,589 S *	6/2007	Yoo	D23/351
D550,826 S *	9/2007	Murai	D23/364
D594,948 S *	6/2009	Lewis	D23/314
D616,081 S *	5/2010	Chiu	D23/333
D657,032 S *	4/2012	Chouji	D23/351

D657,033 S *	4/2012	Chouji	D23/351
D702,335 S *	4/2014	Saitou	D23/351
D733,278 S *	6/2015	Newlin	D23/366
D749,713 S *	2/2016	Guyuron	D23/314
D760,367 S *	6/2016	Rump	D23/322
2006/0182429 A1*	8/2006	Shapiro	F24H 3/0411 392/365
2010/0303678 A1*	12/2010	Lockhart	F24H 3/022 422/186.3
2013/0113123 A1*	5/2013	Ahn	F24F 6/02 261/31

* cited by examiner

Primary Examiner — Ania Aman

(74) *Attorney, Agent, or Firm* — The Roy Gross Law Firm, LLC; Roy Gross

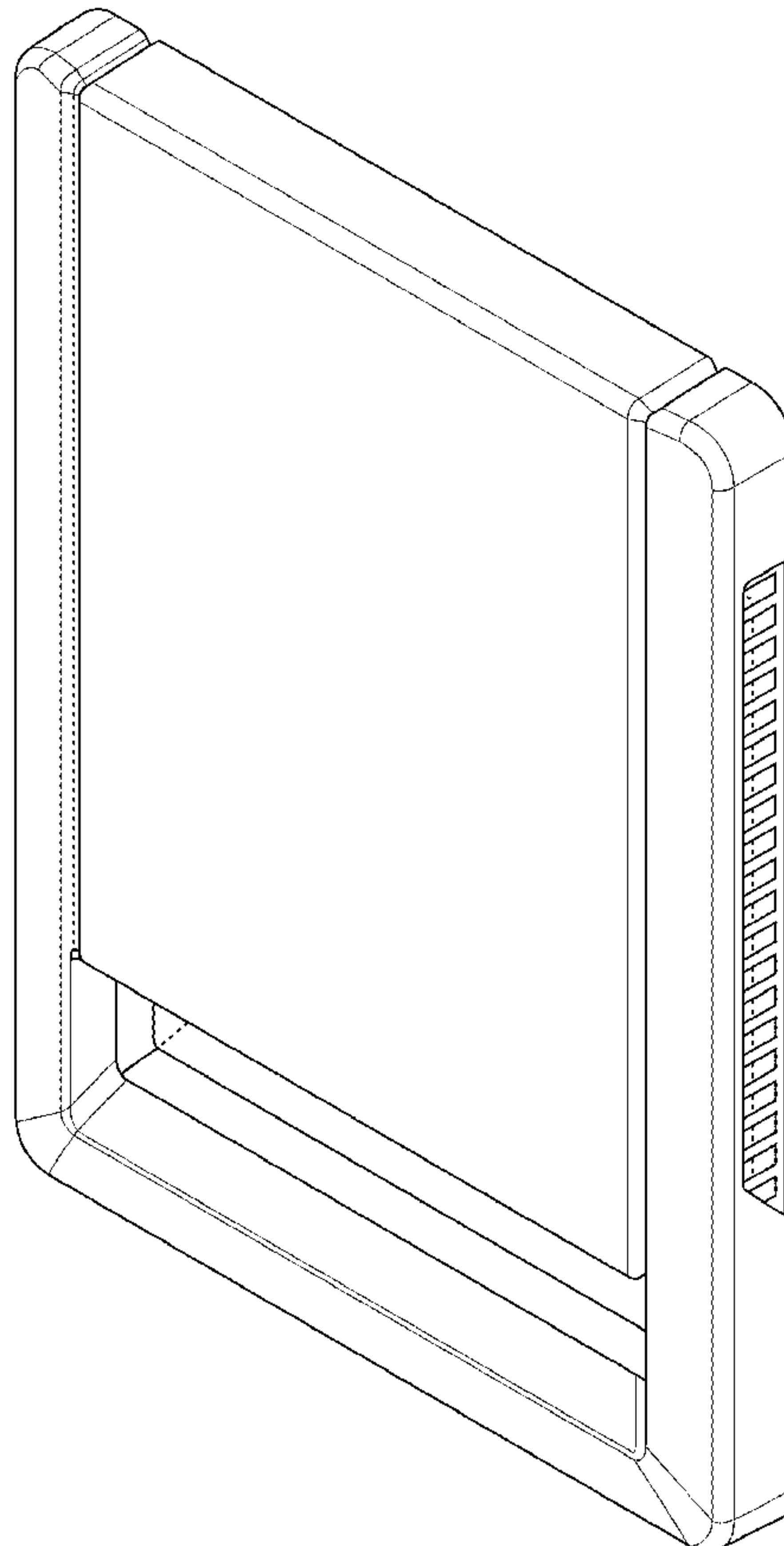
(57) **CLAIM**

The ornamental design for a heater, as shown and described.

DESCRIPTION

FIG. 1 is a front perspective view of a heater showing my new design;
 FIG. 2 is a top plan view thereof;
 FIG. 3 is a right side view thereof; and,
 FIG. 4 is a front view thereof.
 The broken line shown in the drawings are for the purpose of illustrating portions of the article and form no part of the claimed design.

1 Claim, 4 Drawing Sheets



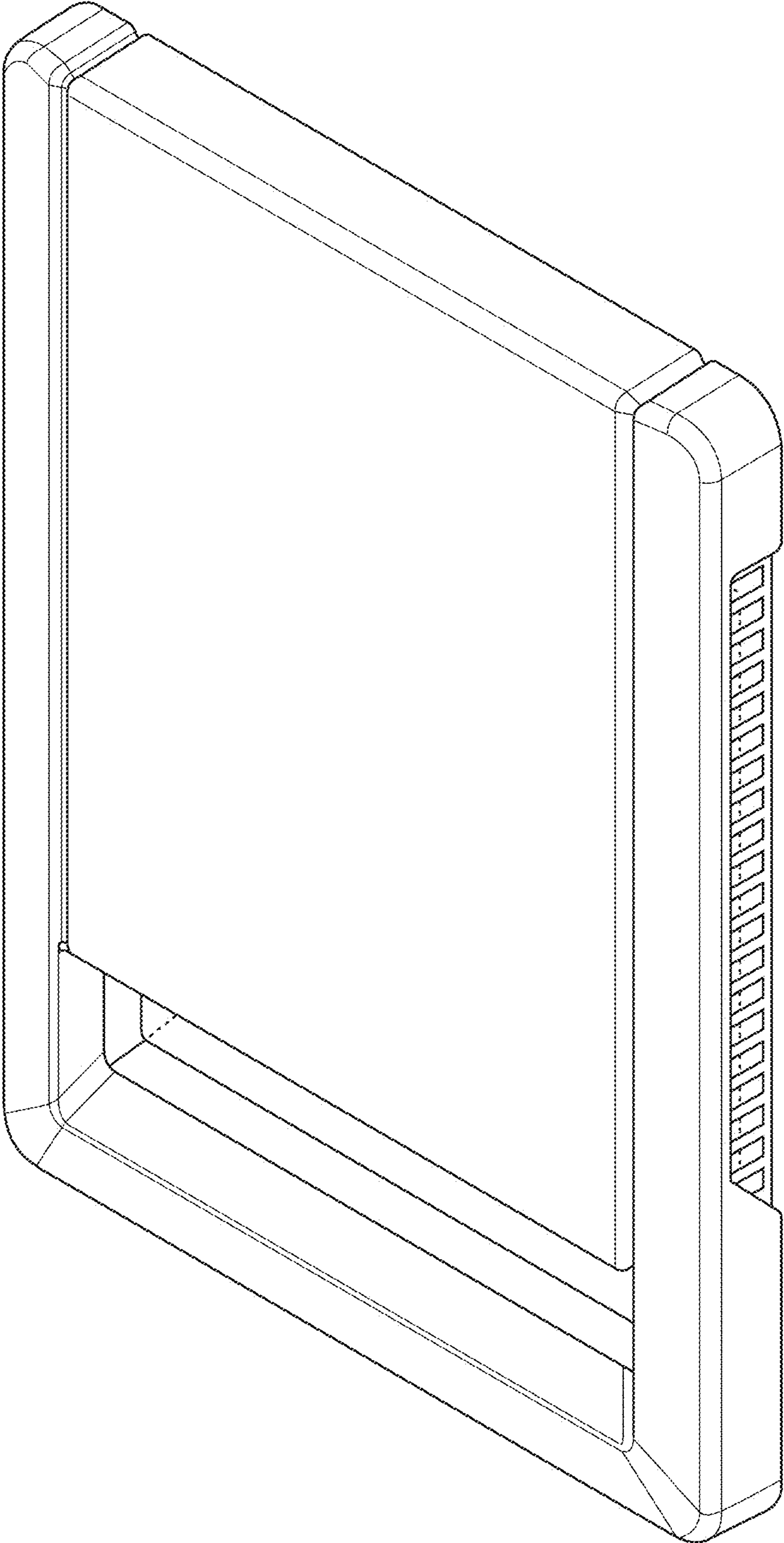


FIG. 1



FIG. 2

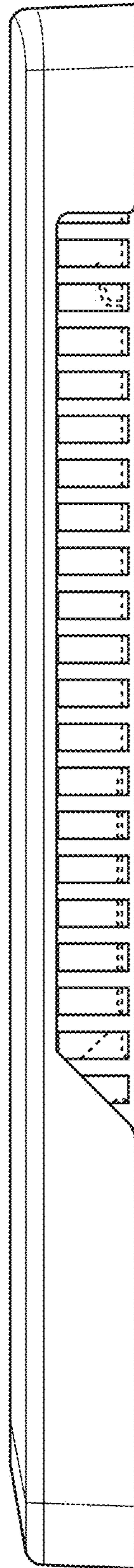


FIG. 3

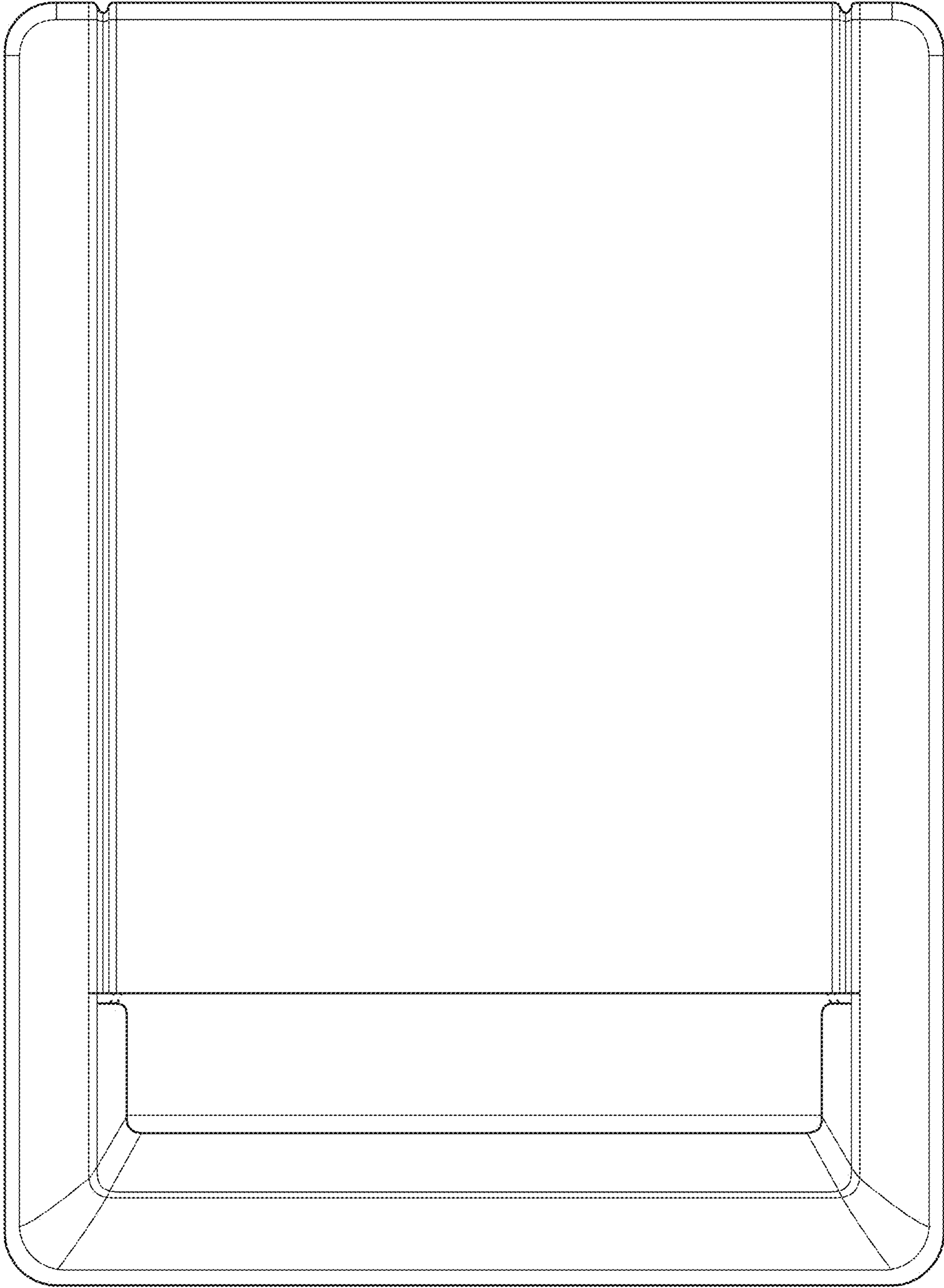


FIG. 4