



US00D915568S

(12) **United States Design Patent** (10) **Patent No.:** **US D915,568 S**  
**White et al.** (45) **Date of Patent:** **\*\* Apr. 6, 2021**

(54) **TOILET SEAT MOVEMENT PREVENTION DEVICE**

(71) Applicants: **Loyd White**, Cambridge, NE (US);  
**Loren Mott**, Golden, CO (US)

(72) Inventors: **Loyd White**, Cambridge, NE (US);  
**Loren Mott**, Golden, CO (US)

(\*\*) Term: **15 Years**

(21) Appl. No.: **29/700,315**

(22) Filed: **Aug. 1, 2019**

(51) **LOC (13) Cl.** ..... **23-02**

(52) **U.S. Cl.**  
USPC ..... **D23/309**

(58) **Field of Classification Search**  
USPC ..... D23/295, 300-301, 309, 311-312  
CPC ..... A61F 2005/4402  
See application file for complete search history.

(56) **References Cited**

**U.S. PATENT DOCUMENTS**

- |           |     |         |              |                      |
|-----------|-----|---------|--------------|----------------------|
| 3,566,421 | A   | 3/1971  | Waddle       |                      |
| 3,646,620 | A   | 3/1972  | McCawley     |                      |
| 4,747,167 | A   | 5/1988  | Adams        |                      |
| 4,893,360 | A   | 1/1990  | Wofford      |                      |
| 4,964,179 | A * | 10/1990 | Kimes        | A47K 13/005<br>4/237 |
| 5,212,840 | A   | 5/1993  | Caldwell     |                      |
| 5,361,425 | A   | 11/1994 | Armanno, Sr. |                      |

- |              |      |         |               |                      |
|--------------|------|---------|---------------|----------------------|
| 7,536,732    | B1 * | 5/2009  | Dunlap        | A47K 13/04<br>4/237  |
| 8,091,152    | B1   | 1/2012  | Rucker et al. |                      |
| D712,019     | S *  | 8/2014  | Wagner        | D23/311              |
| D720,439     | S *  | 12/2014 | Wagner        | D23/311              |
| 9,486,119    | B2   | 11/2016 | Laundre       |                      |
| 2004/0154085 | A1 * | 8/2004  | Berlovan      | A47K 13/005<br>4/237 |
| 2014/0101832 | A1 * | 4/2014  | Wagner        | A47K 13/005<br>4/239 |

\* cited by examiner

*Primary Examiner* — Robert A Delehanty

(74) *Attorney, Agent, or Firm* — Cramer Patent & Design, PLLC; Aaron R. Cramer

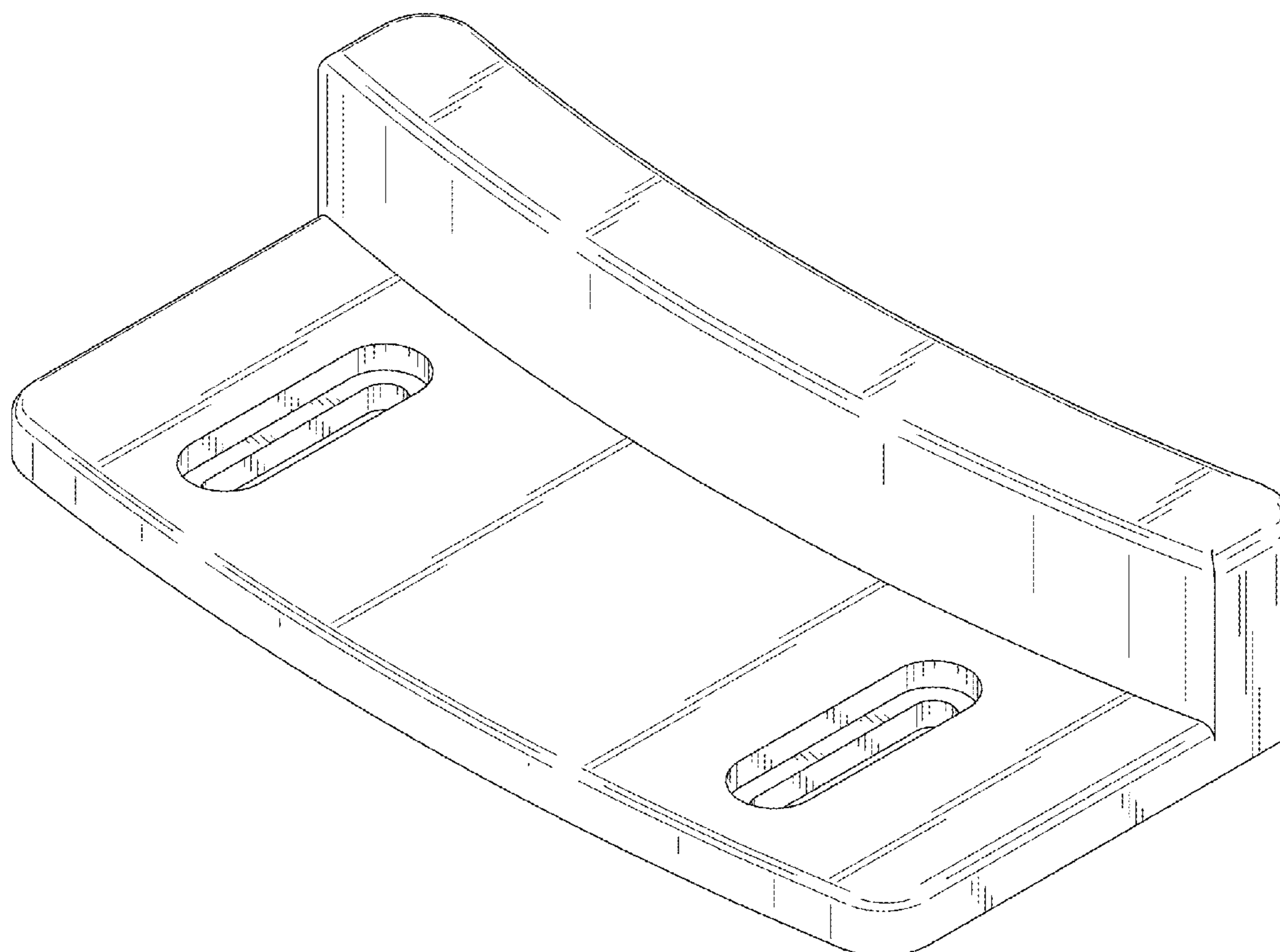
(57) **CLAIM**

The ornamental design for a toilet seat movement prevention device, as shown and described.

**DESCRIPTION**

FIG. 1 is a perspective top front right view of a toilet seat movement prevention device, showing our new design; FIG. 2 is a perspective top rear left view thereof; FIG. 3 is a front elevation view thereof; FIG. 4 is a rear elevation view thereof; FIG. 5 is a right elevation view thereof; FIG. 6 is a left elevation view thereof; FIG. 7 is a top plan view thereof; and, FIG. 8 is a bottom plan view thereof.

**1 Claim, 7 Drawing Sheets**



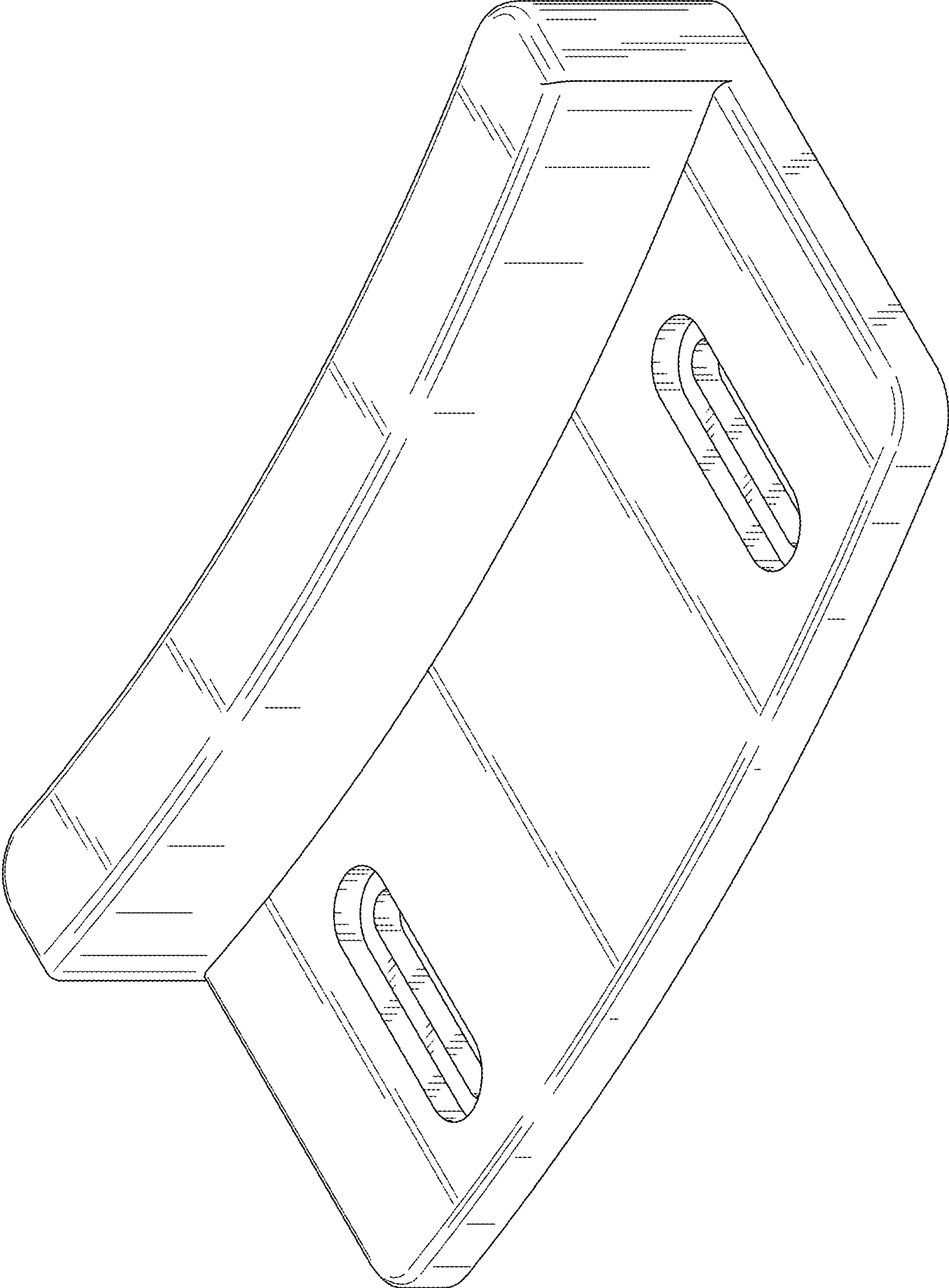


FIG. 1

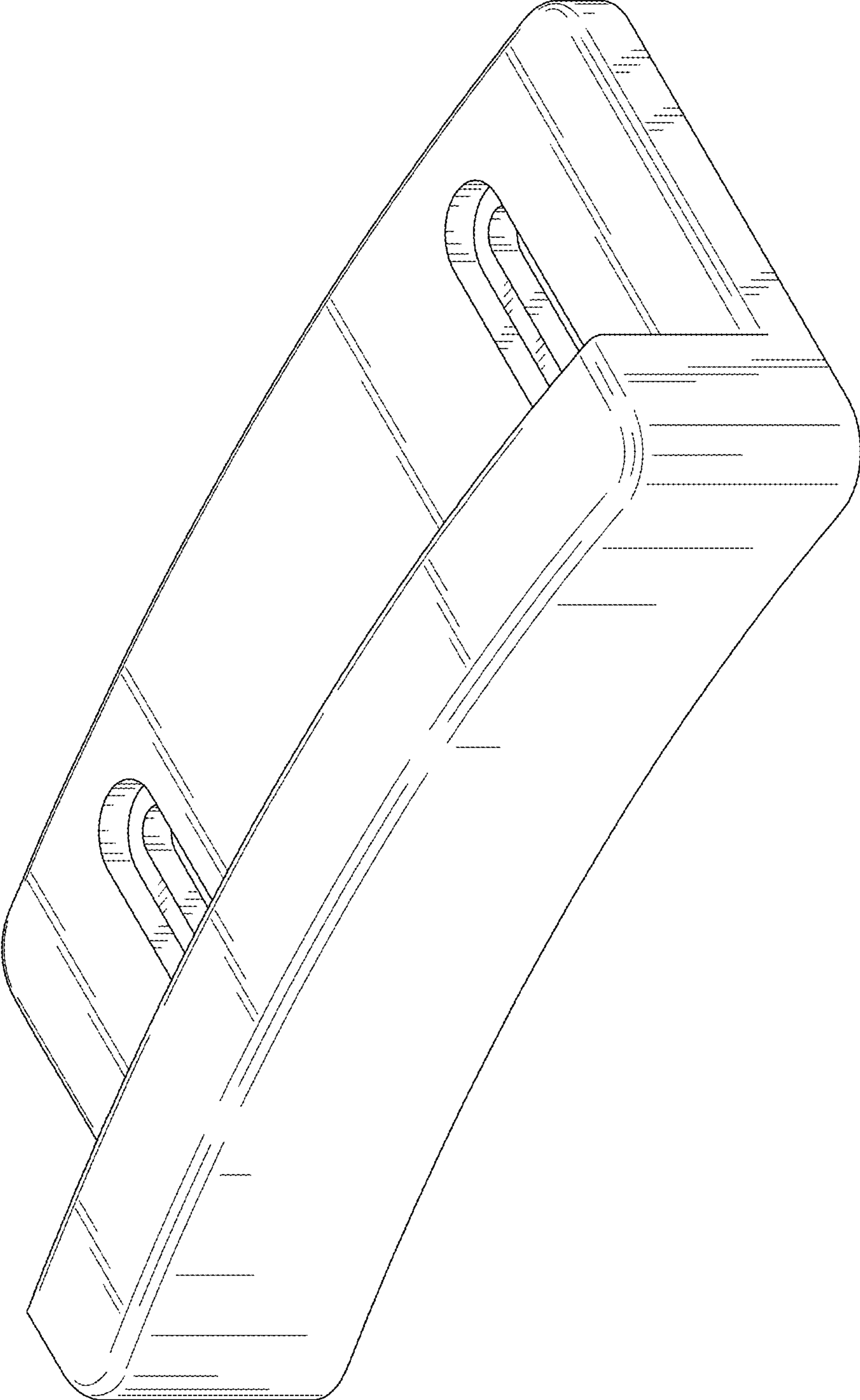


FIG. 2

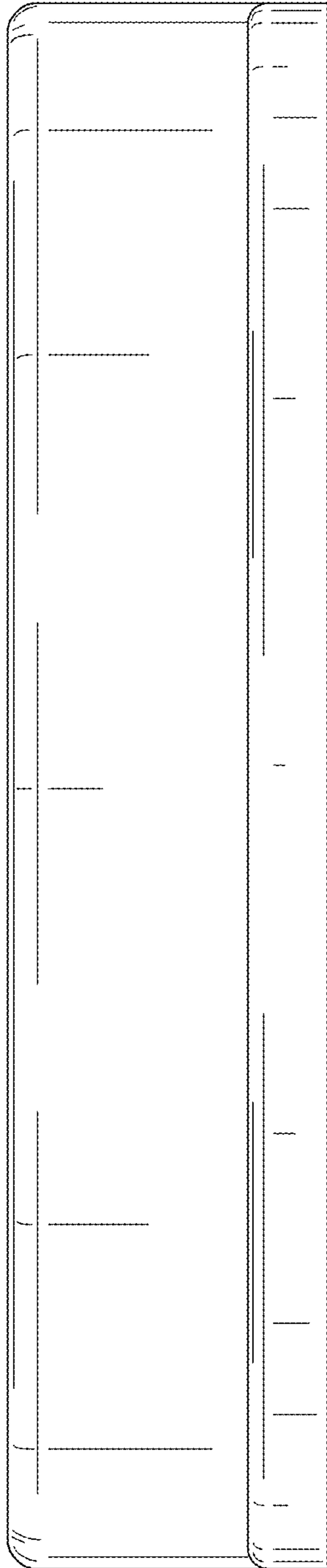


FIG. 3

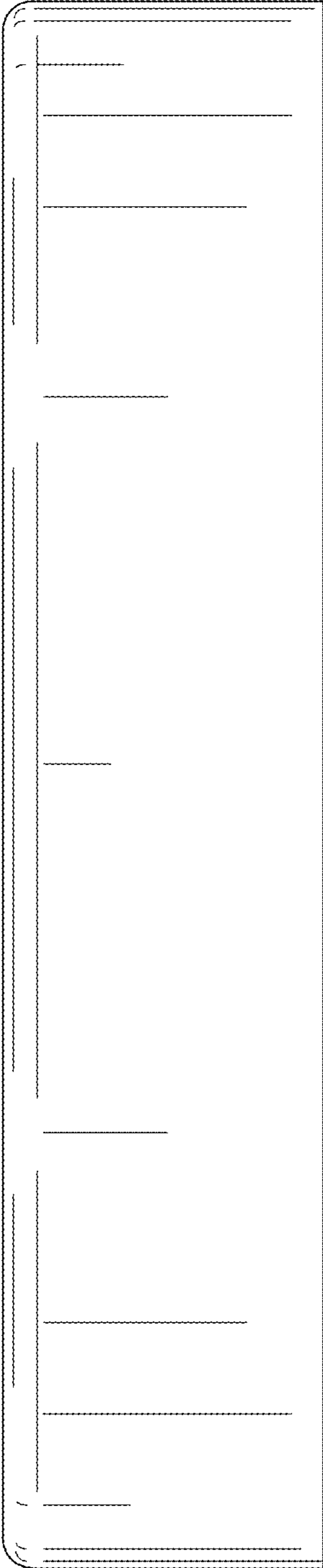


FIG. 4

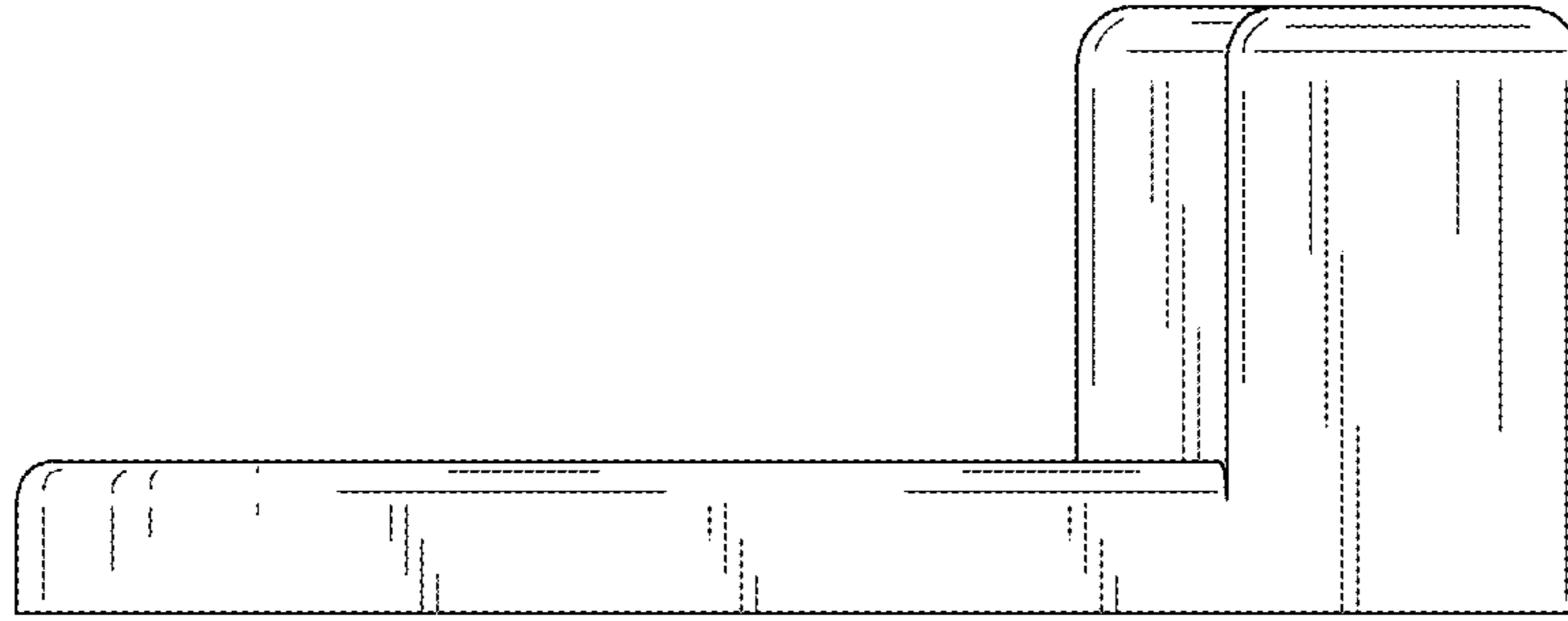


FIG. 5

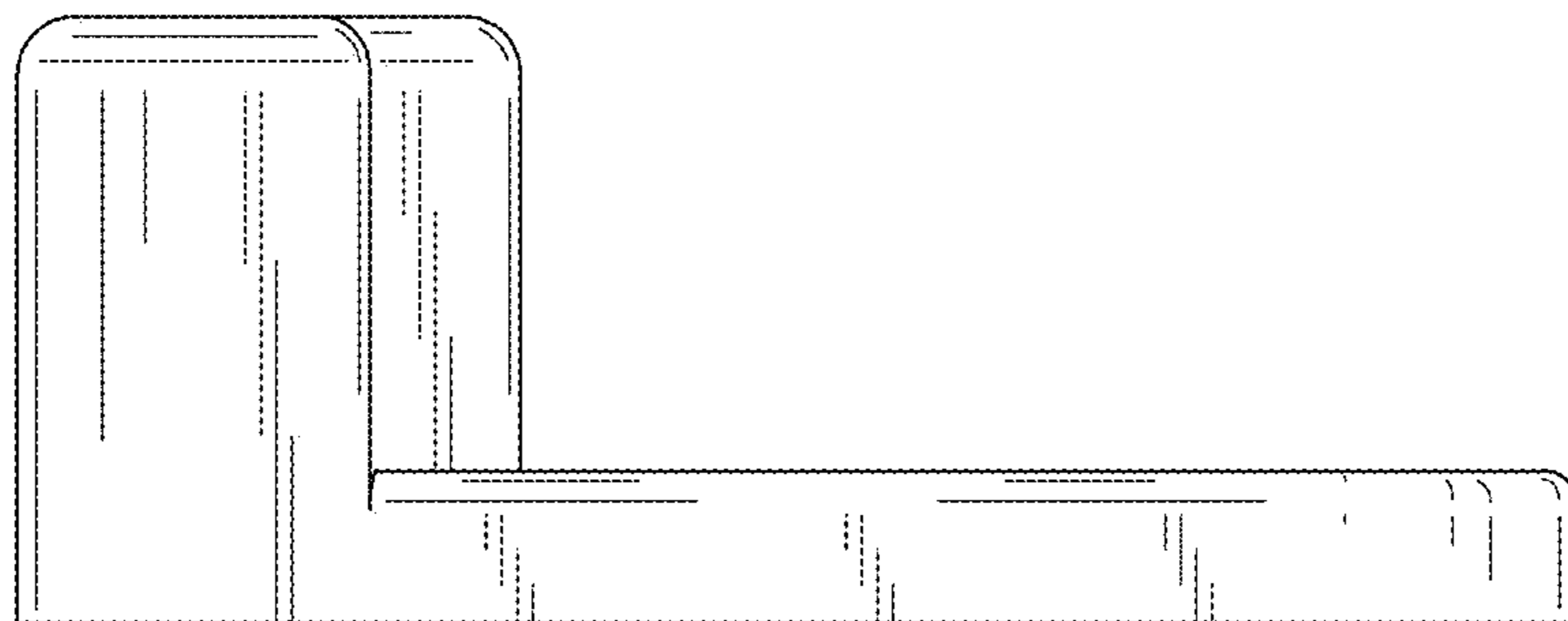


FIG. 6



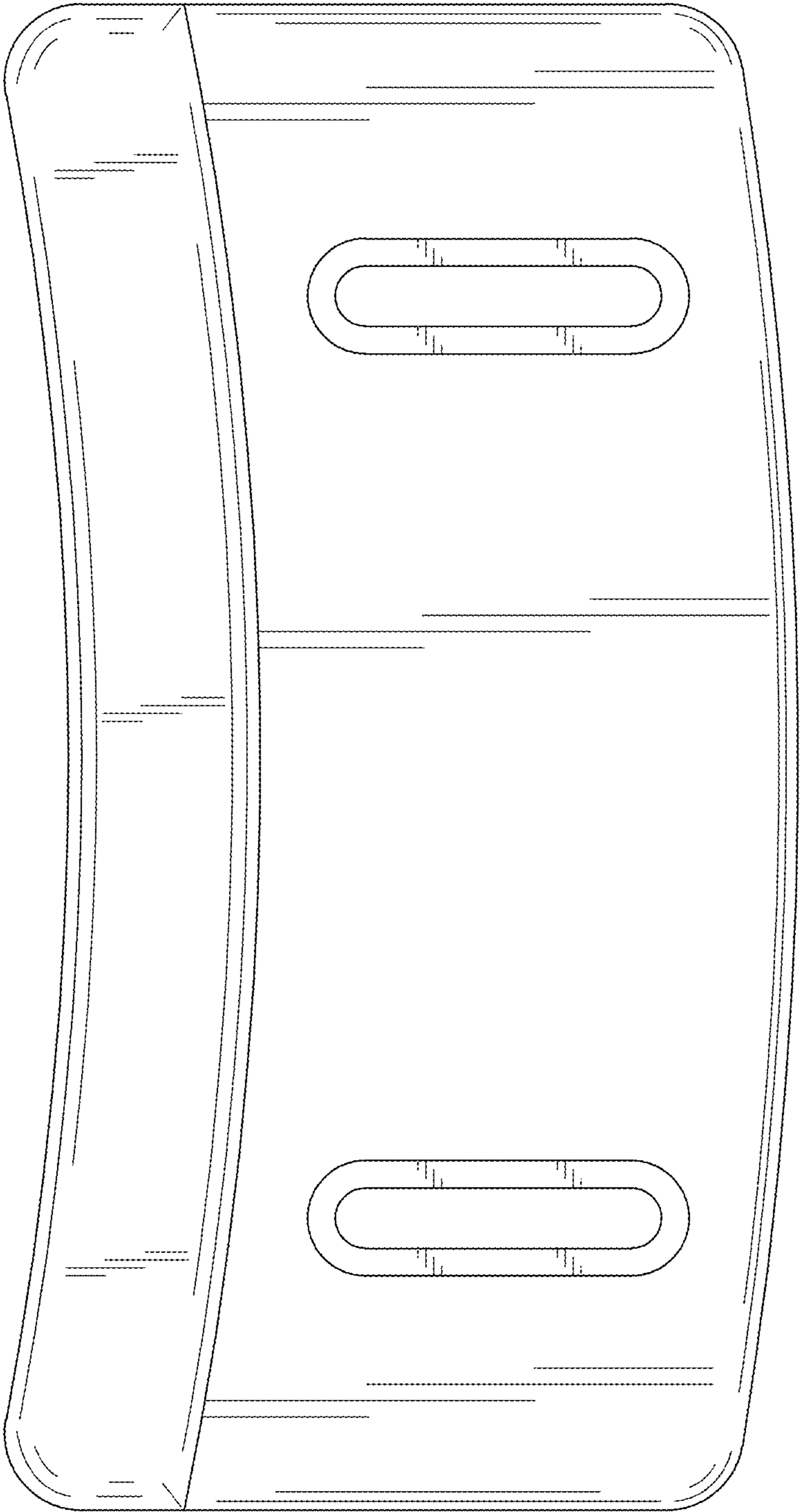


FIG. 7

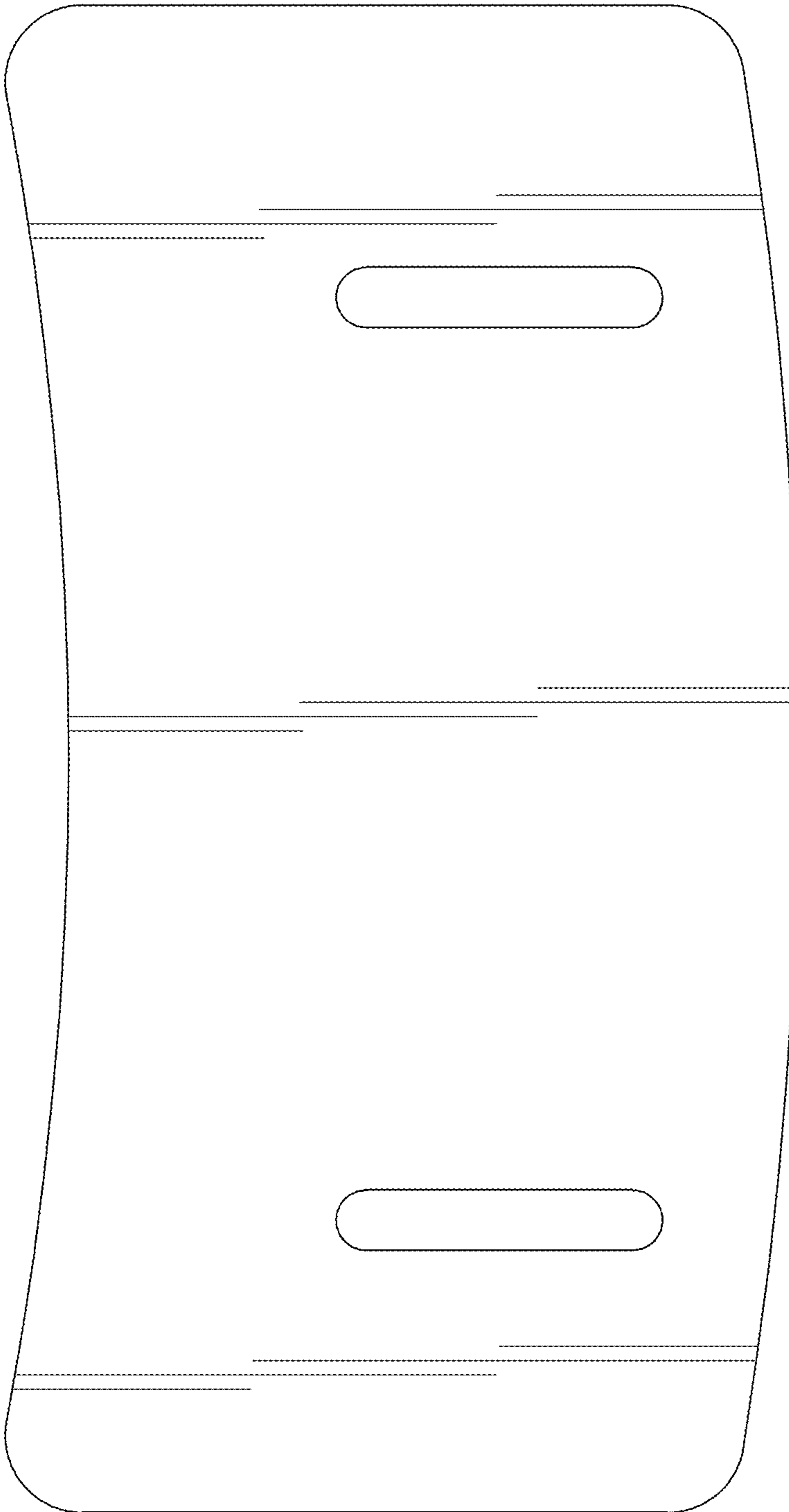


FIG. 8