



US00D915561S

(12) **United States Design Patent**
Eads

(10) **Patent No.:** **US D915,561 S**

(45) **Date of Patent:** **** Apr. 6, 2021**

(54) **LEVER**

D811,547 S * 2/2018 Andrew D23/254
D826,382 S * 8/2018 Spangler D23/254

(71) Applicant: **DELTA FAUCET COMPANY**,
Indianapolis, IN (US)

* cited by examiner

(72) Inventor: **Thad Eads**, Urbana, IN (US)

Primary Examiner — Robert A Delehanty

(73) Assignee: **DELTA FAUCET COMPANY**,
Indianapolis, IN (US)

(74) *Attorney, Agent, or Firm* — Nirav D. Parikh; Edgar
A. Zarins

(**) Term: **15 Years**

(57) **CLAIM**

(21) Appl. No.: **29/683,467**

The ornamental design for a lever, as shown and described.

(22) Filed: **Mar. 13, 2019**

(51) **LOC (13) Cl.** **23-01**

(52) **U.S. Cl.**
USPC **D23/254**

DESCRIPTION

(58) **Field of Classification Search**
USPC D23/252, 254, 238–243, 249;
D8/307–308
CPC E03C 1/0408; E03C 1/09; E03C 1/042;
E03C 1/0412
See application file for complete search history.

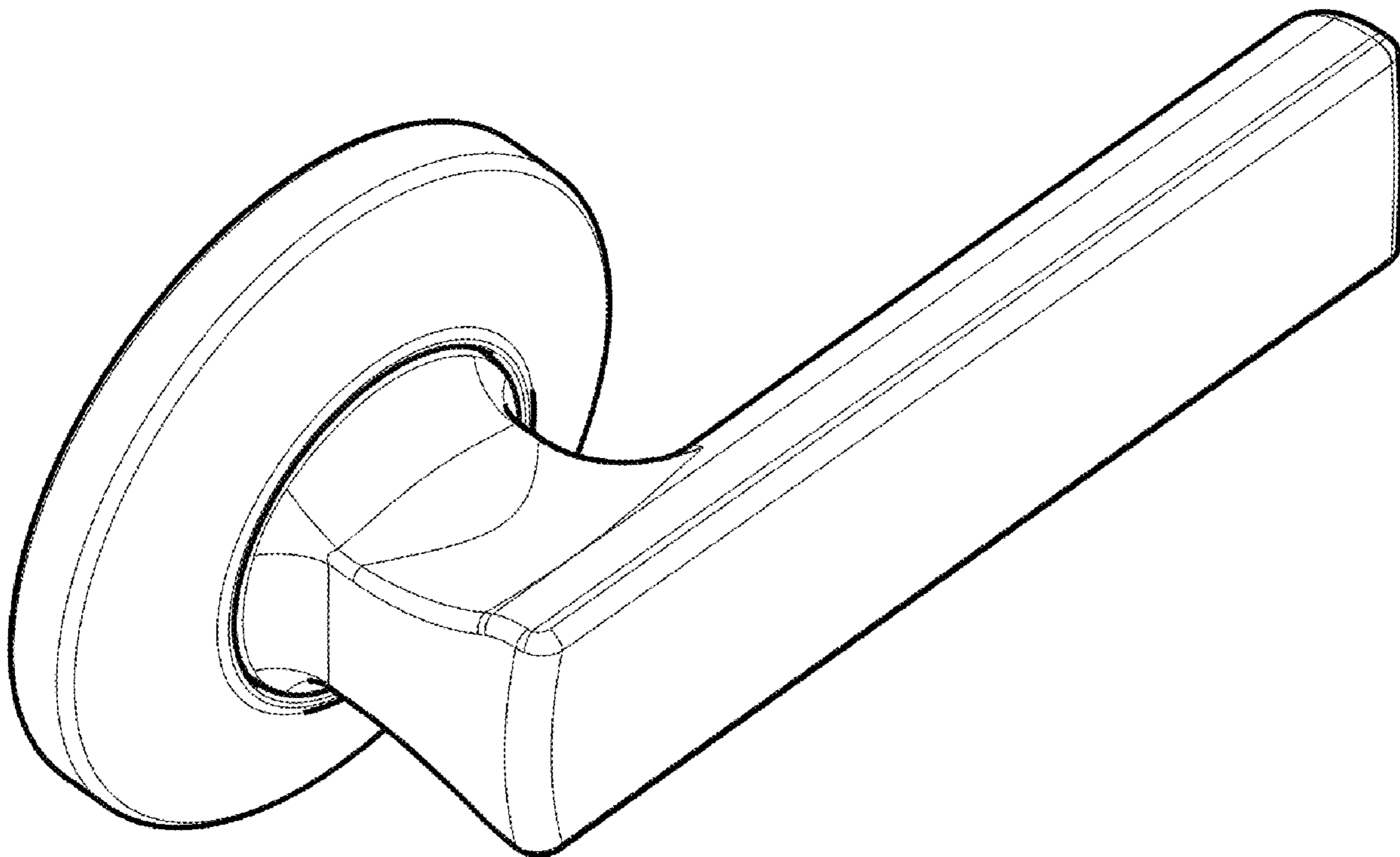
FIG. 1 is a front perspective view of a lever showing my new design;
FIG. 2 is a rear perspective view thereof;
FIG. 3 is a front elevational view thereof;
FIG. 4 is a left side view thereof;
FIG. 5 is a rear view thereof;
FIG. 6 is a right side view thereof;
FIG. 7 is a top plan view thereof; and,
FIG. 8 is a bottom view thereof.

(56) **References Cited**

U.S. PATENT DOCUMENTS

D811,544 S * 2/2018 Takayama D23/252

1 Claim, 4 Drawing Sheets



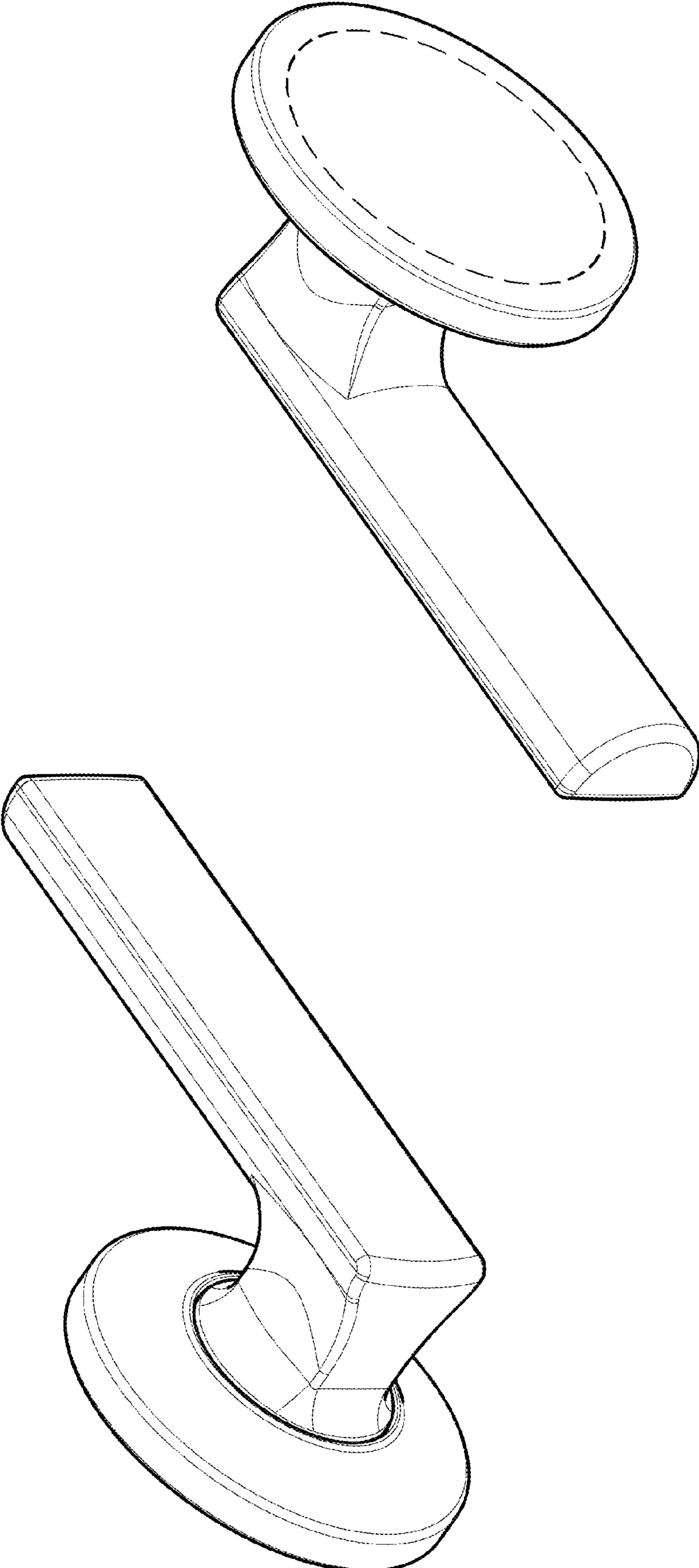


FIG - 2

FIG - 1

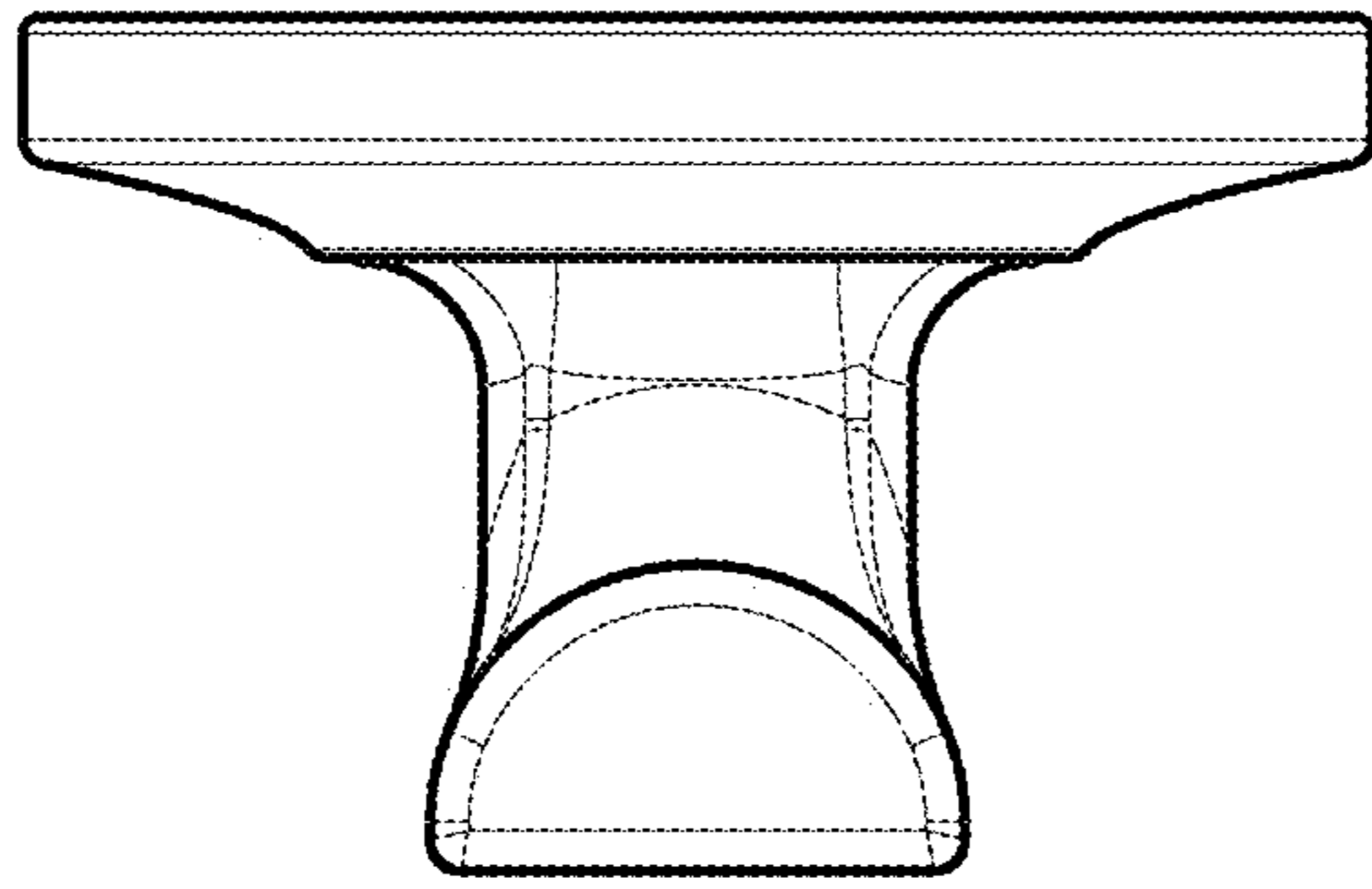


FIG - 4

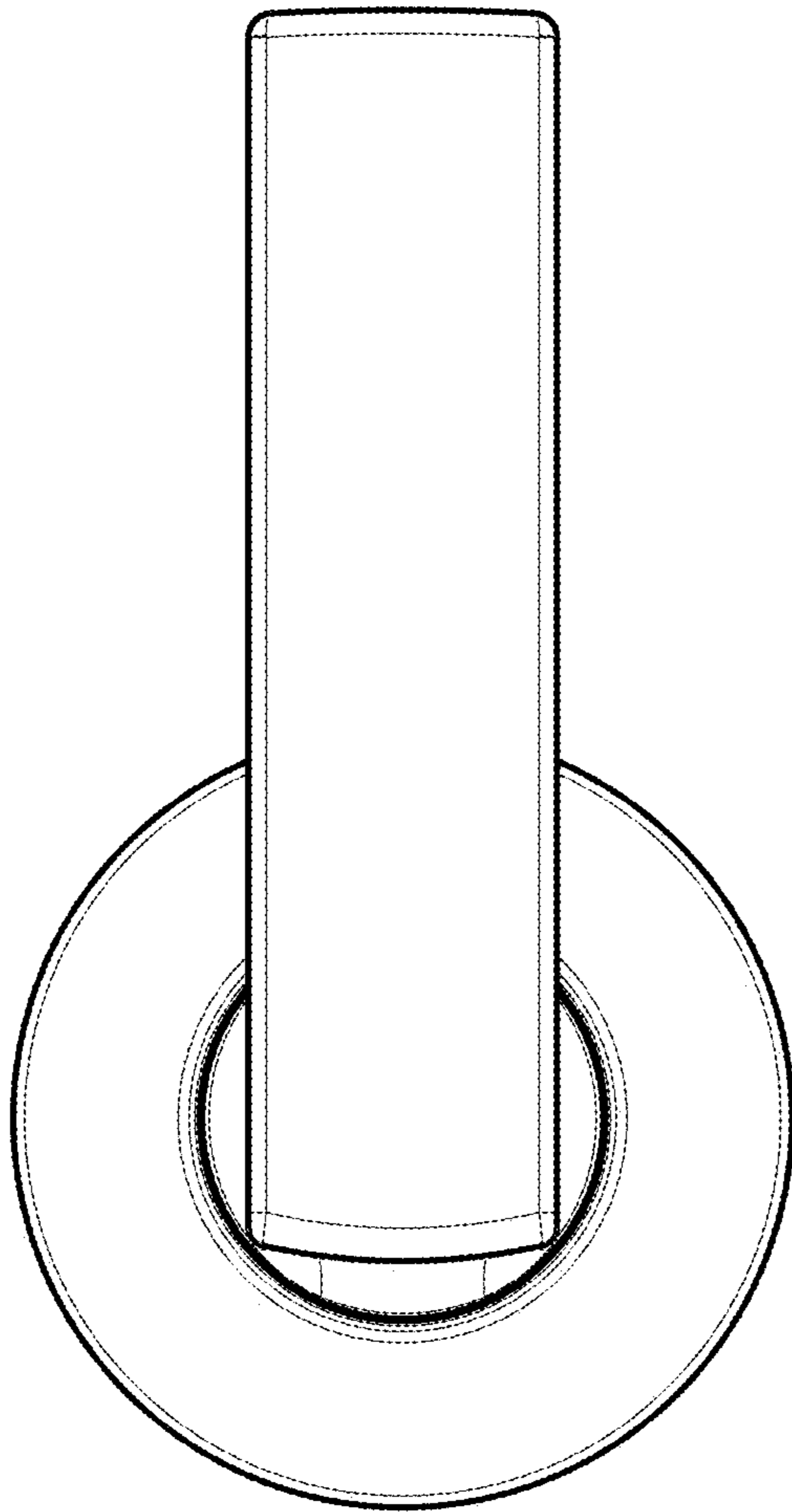


FIG - 3

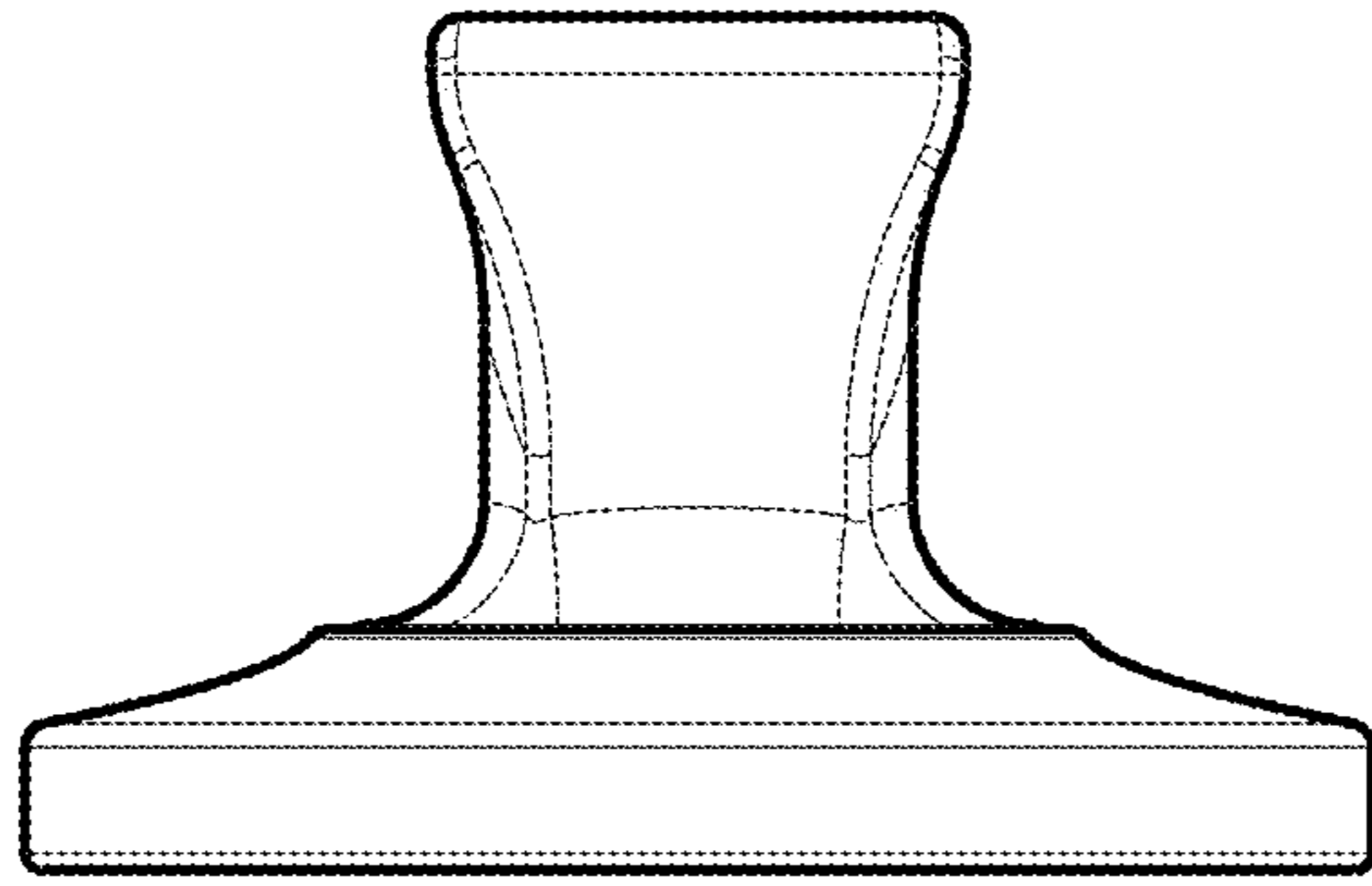


FIG - 6

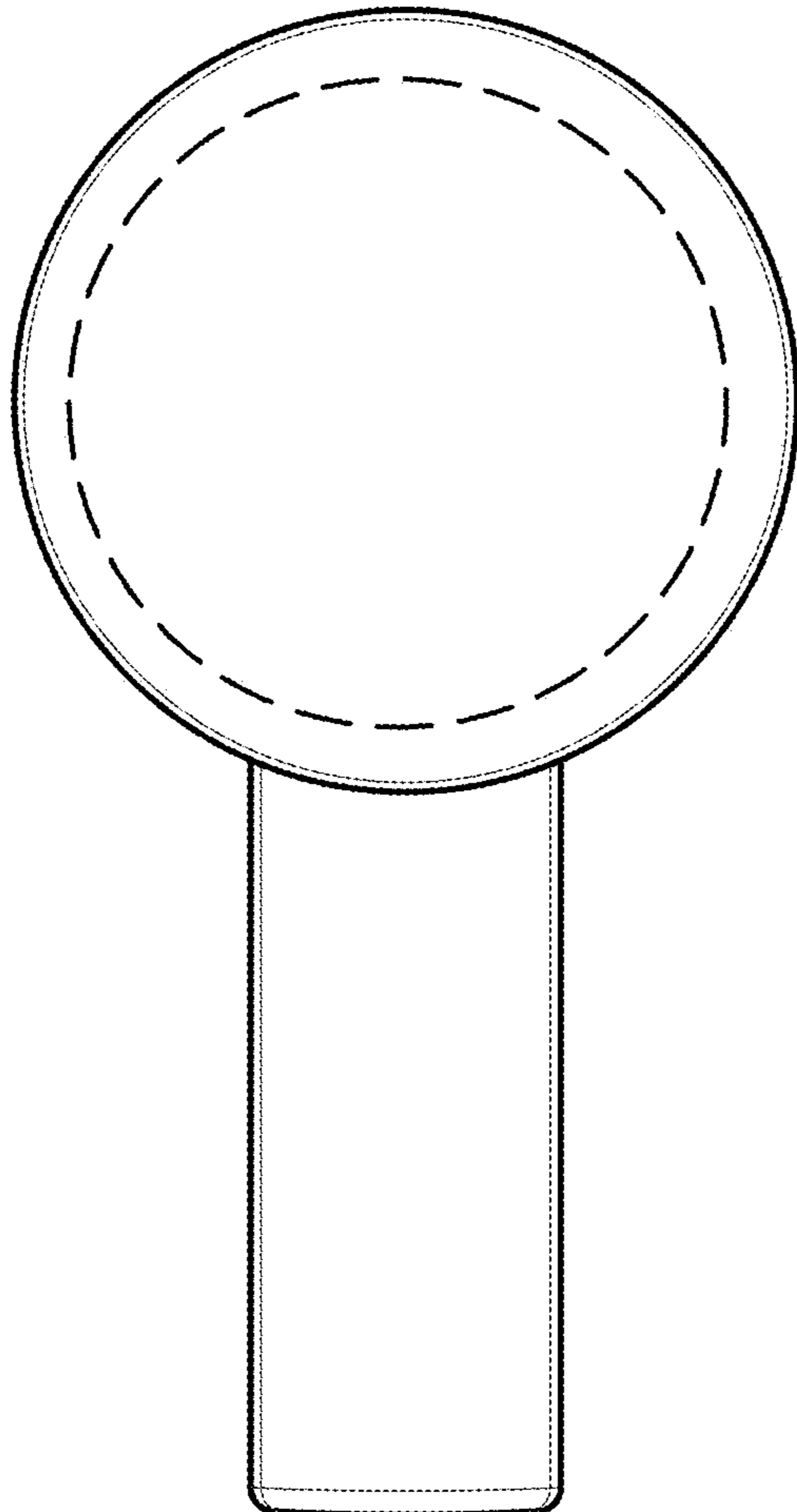


FIG - 5

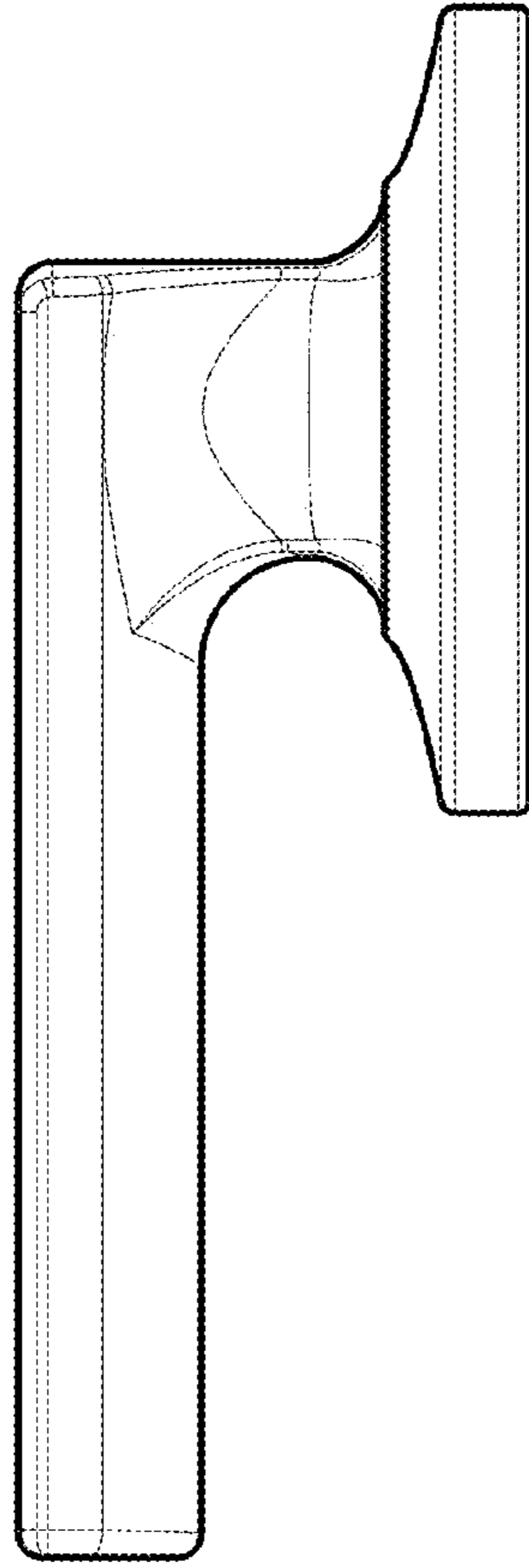


FIG - 8

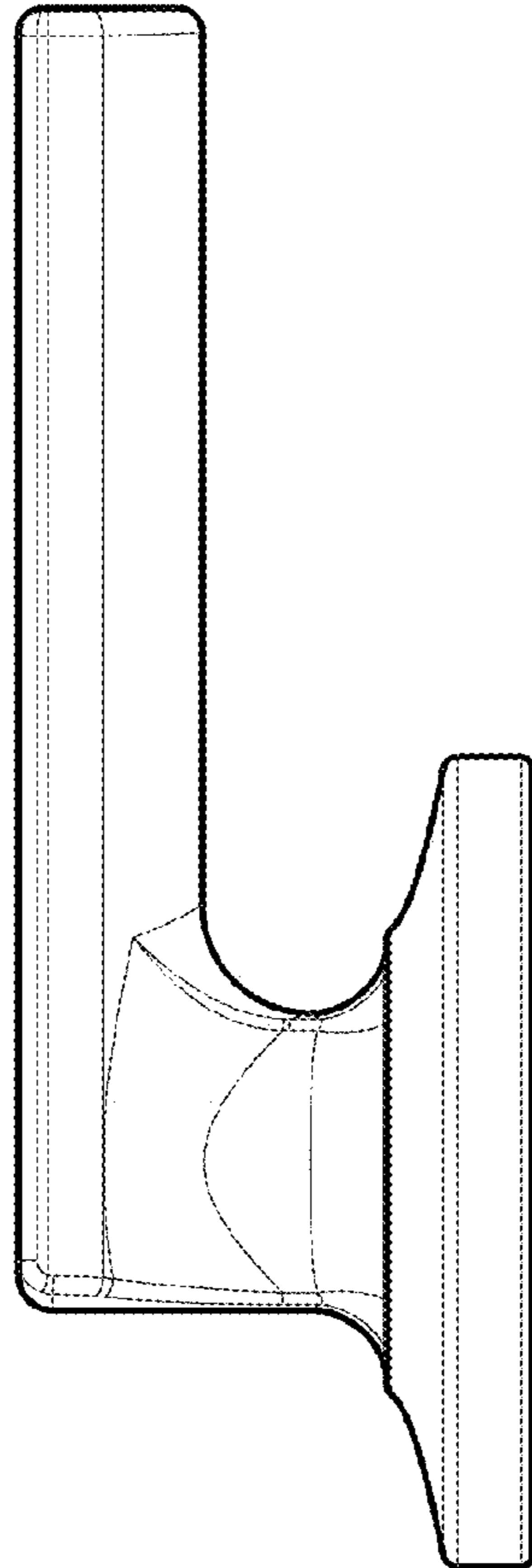


FIG - 7