



US00D915560S

(12) **United States Design Patent** (10) **Patent No.:** **US D915,560 S**
Eads (45) **Date of Patent:** **** Apr. 6, 2021**

(54) **FAUCET HANDLE**
(71) Applicant: **DELTA FAUCET COMPANY,**
Indianapolis, IN (US)
(72) Inventor: **Thad Eads,** Urbana, IN (US)
(73) Assignee: **DELTA FAUCET COMPANY,**
Indianapolis, IN (US)
(**) Term: **15 Years**

D536,065 S * 1/2007 Wang D23/238
D549,546 S * 8/2007 Singtoroj D8/308
D549,548 S * 8/2007 Roberts, III D8/308
D573,693 S * 7/2008 Hsieh D23/242
D734,122 S * 7/2015 Hsu D8/308
D800,268 S * 10/2017 Garland D23/252

* cited by examiner

Primary Examiner — Sheryl Lane
Assistant Examiner — Samantha N Wood
(74) *Attorney, Agent, or Firm* — Nirav D. Parikh; Edgar
A. Zarins

(21) Appl. No.: **29/642,299**
(22) Filed: **Mar. 28, 2018**
(51) **LOC (13) Cl.** **23-01**
(52) **U.S. Cl.**
USPC **D23/252**
(58) **Field of Classification Search**
USPC D23/238–243, 249, 250, 252, 254, 255,
D23/257, 245, 309; D8/300, 307, 308;
D7/394, 622, 395, 545, 398
CPC Y10T 137/9464; Y10T 137/6014; Y10T
137/0491; Y10T 137/776; E03C 1/02;
E03C 1/04; E03C 1/0412
See application file for complete search history.

(56) **References Cited**

U.S. PATENT DOCUMENTS

D522,104 S * 5/2006 Hoernig D23/252
D533,639 S * 12/2006 Hoernig D23/242

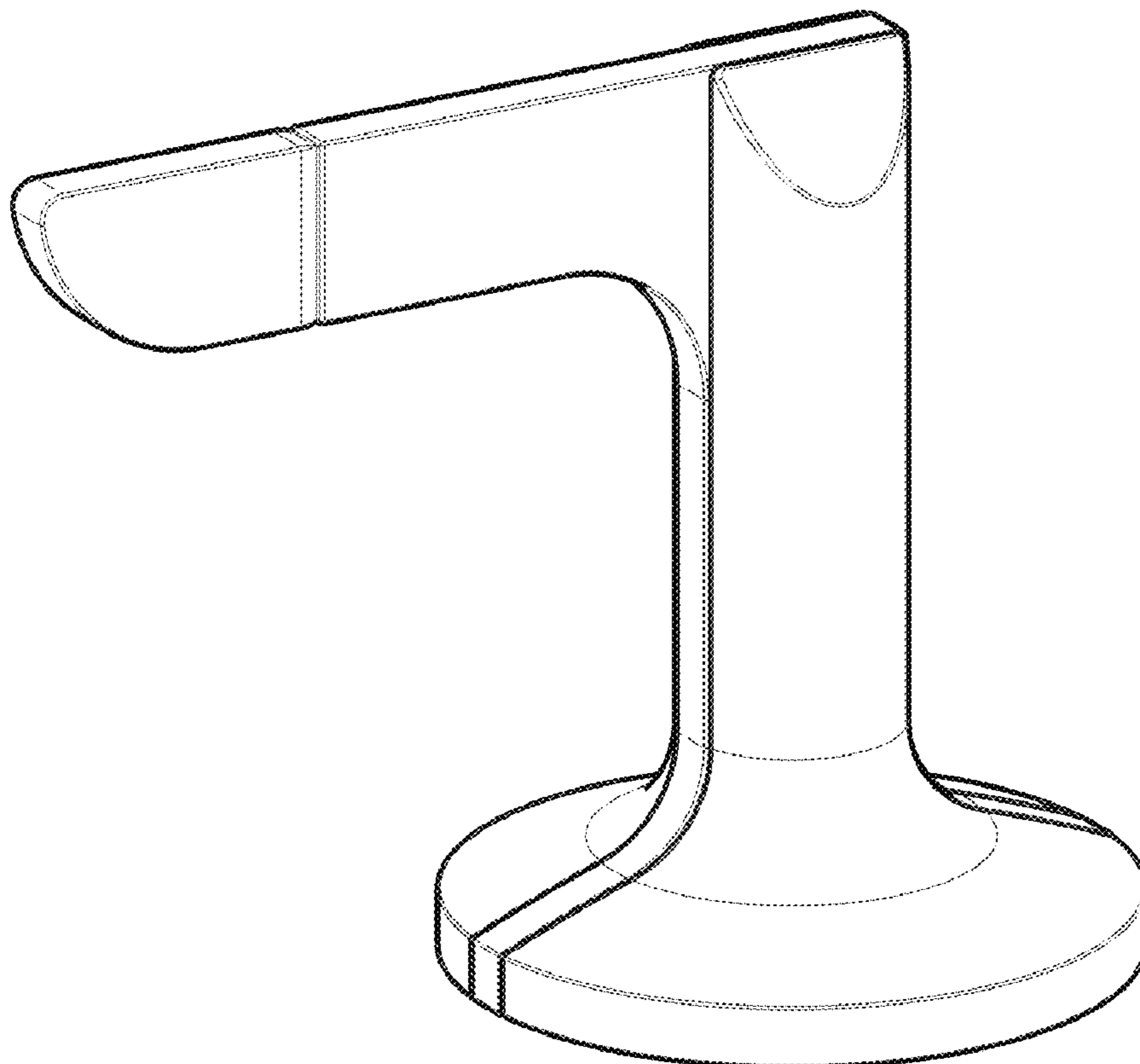
(57) **CLAIM**

The ornamental design for a faucet handle, as shown and described.

DESCRIPTION

FIG. 1 is a first perspective view of a faucet handle showing my new design;
FIG. 2 is a second perspective view thereof;
FIG. 3 is a front view thereof;
FIG. 4 is a left side view thereof;
FIG. 5 is a rear view thereof;
FIG. 6 is a right side view thereof; and,
FIG. 7 is a top plan view thereof.

1 Claim, 4 Drawing Sheets



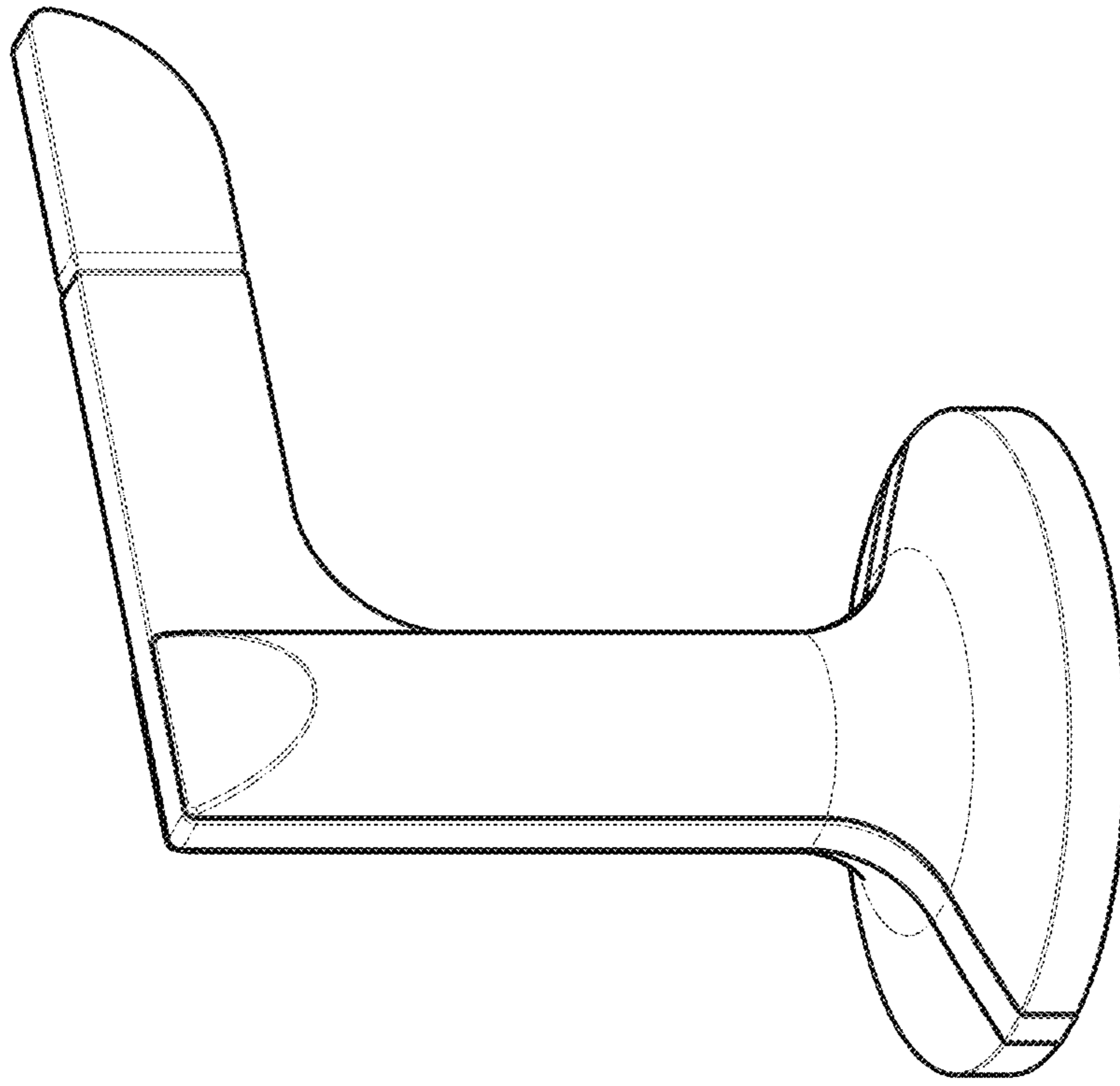


Fig. 2

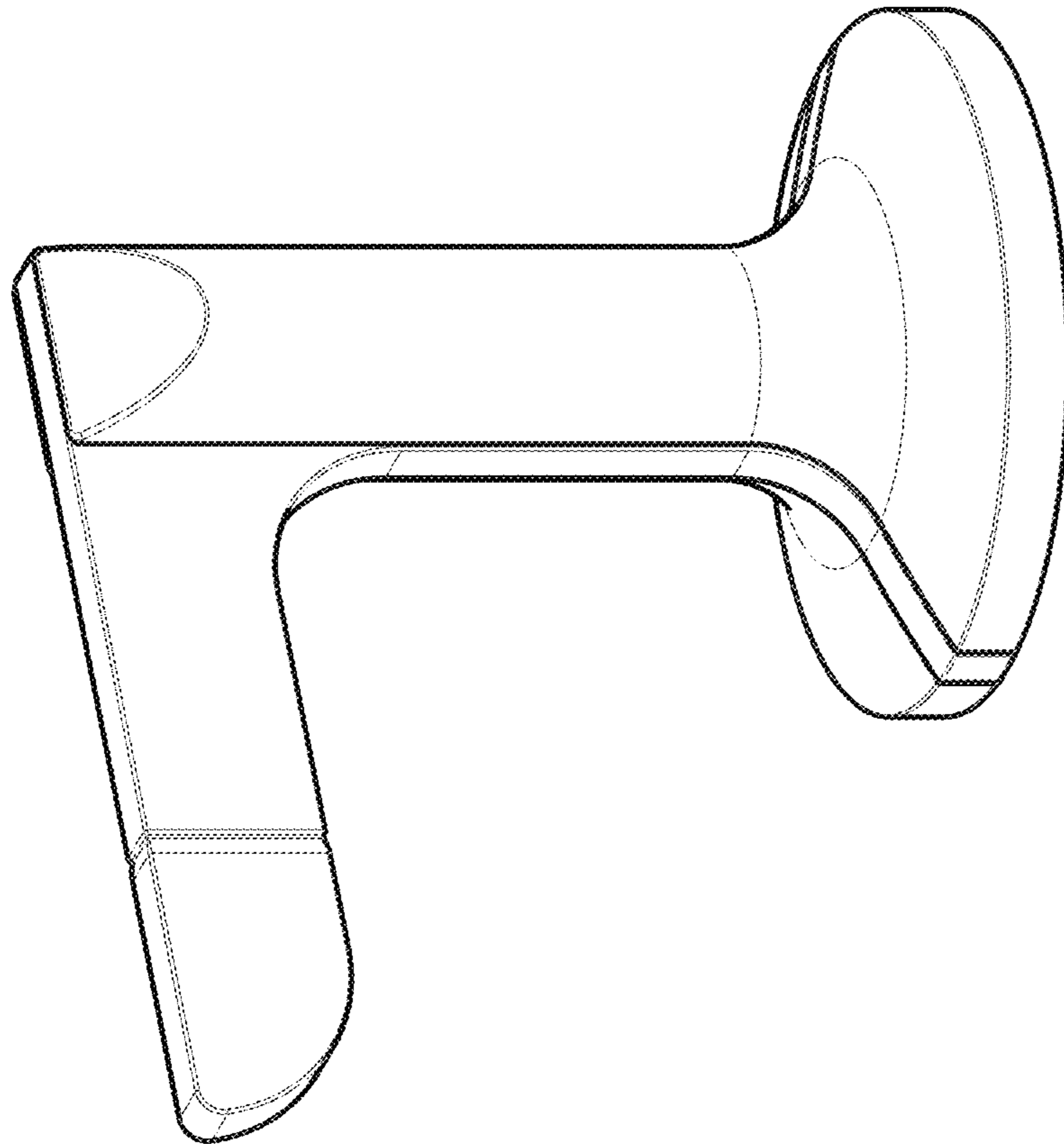


Fig. 1

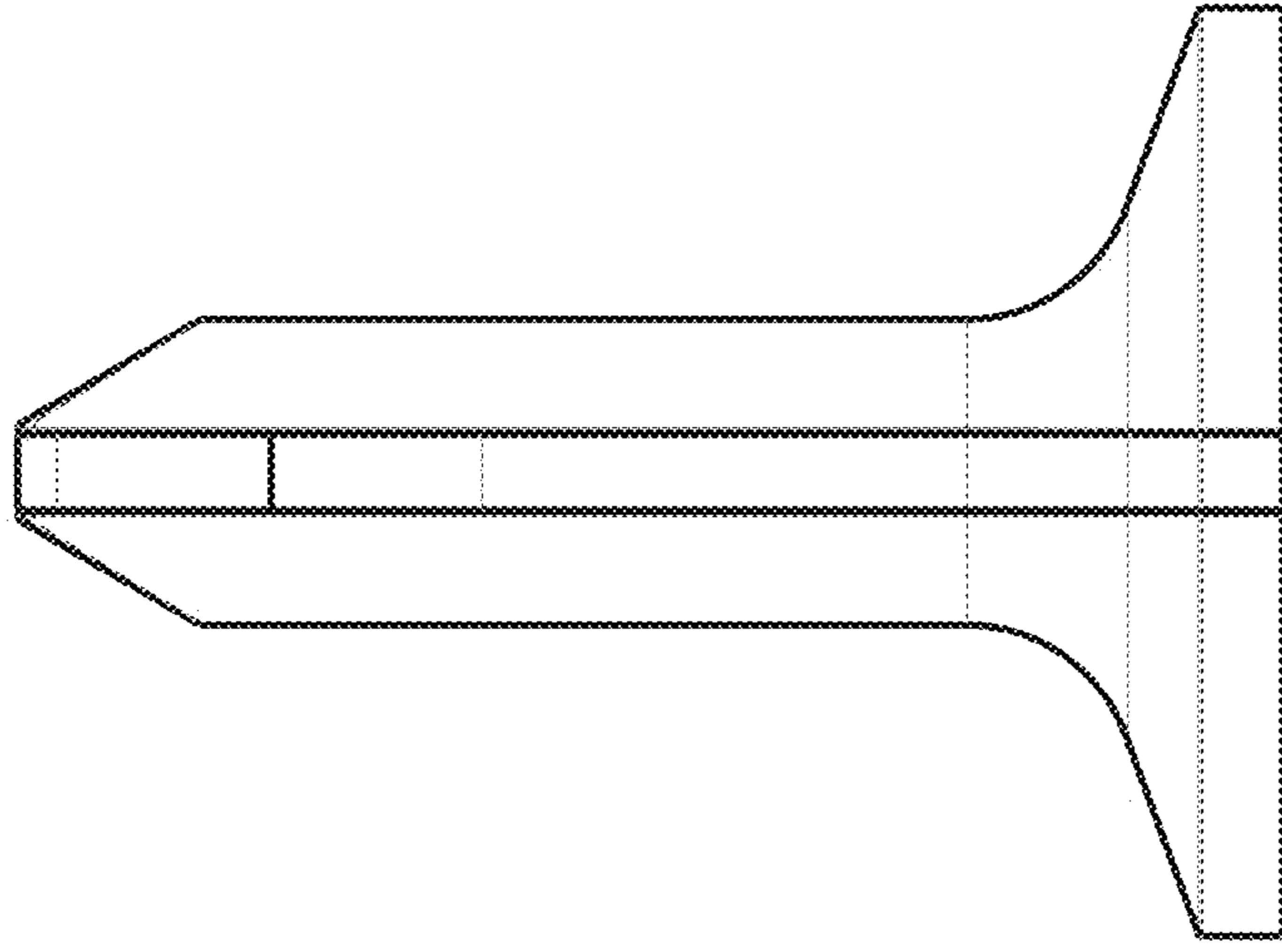


Fig. 4

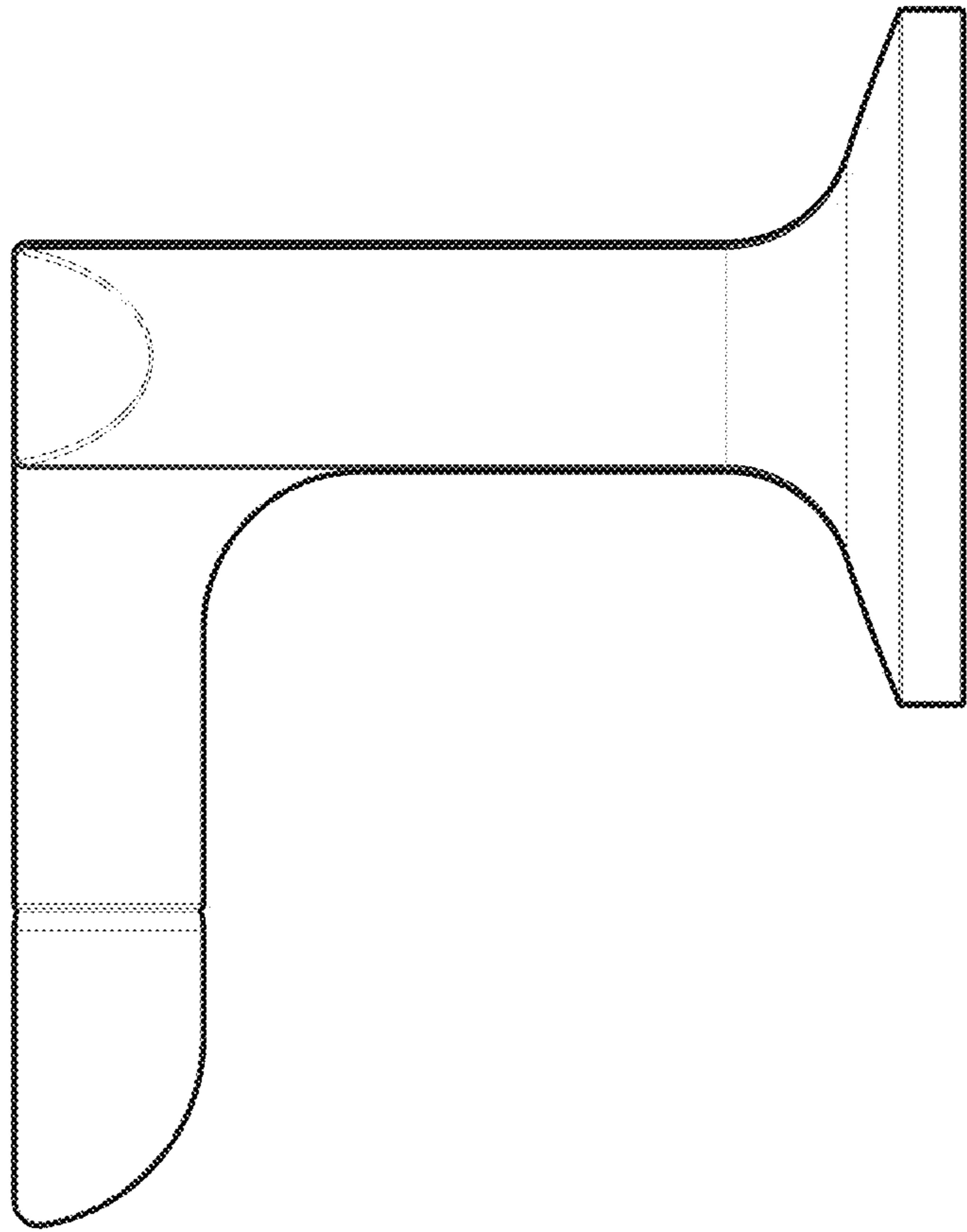


Fig. 3

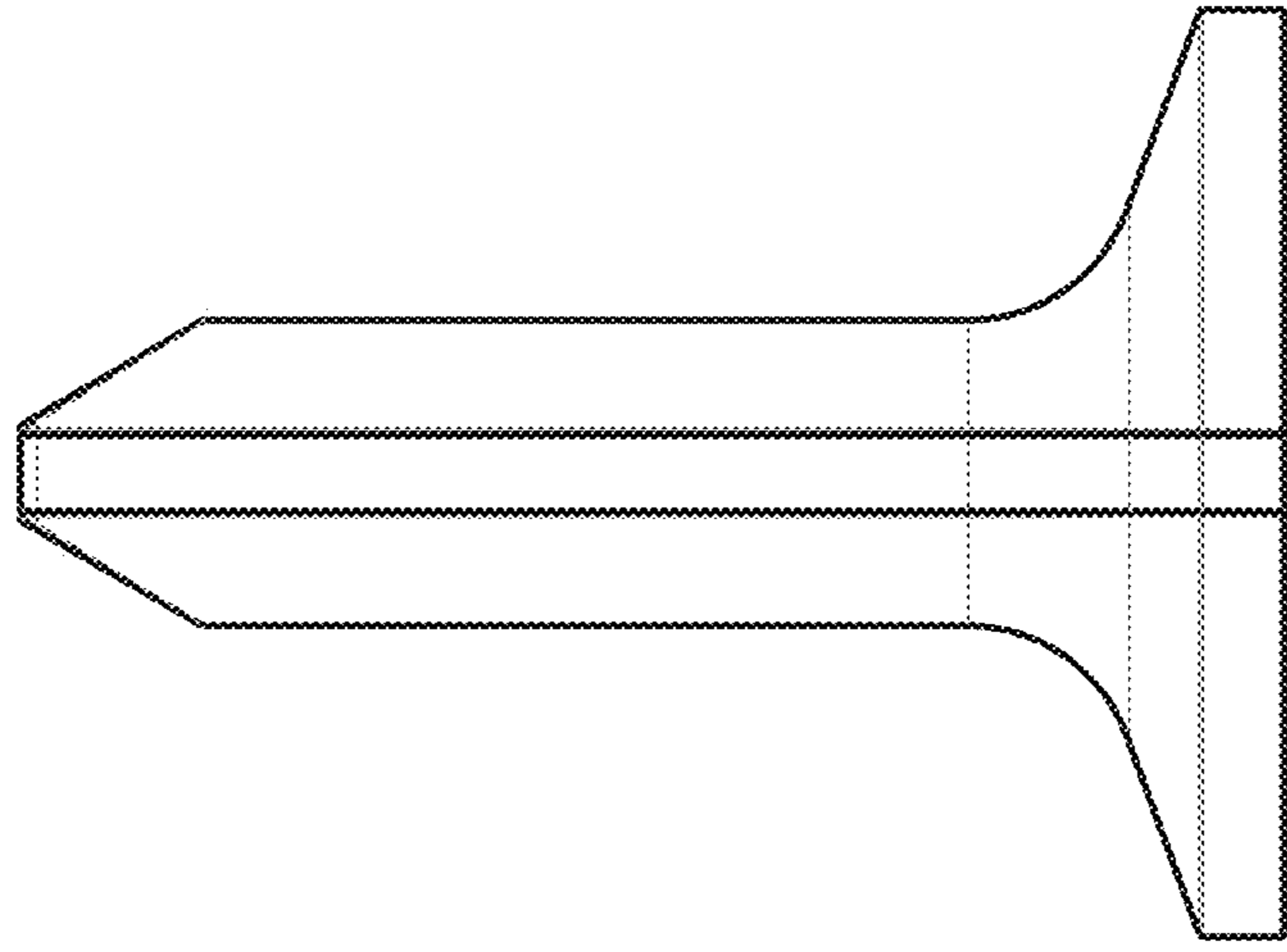


Fig. 6

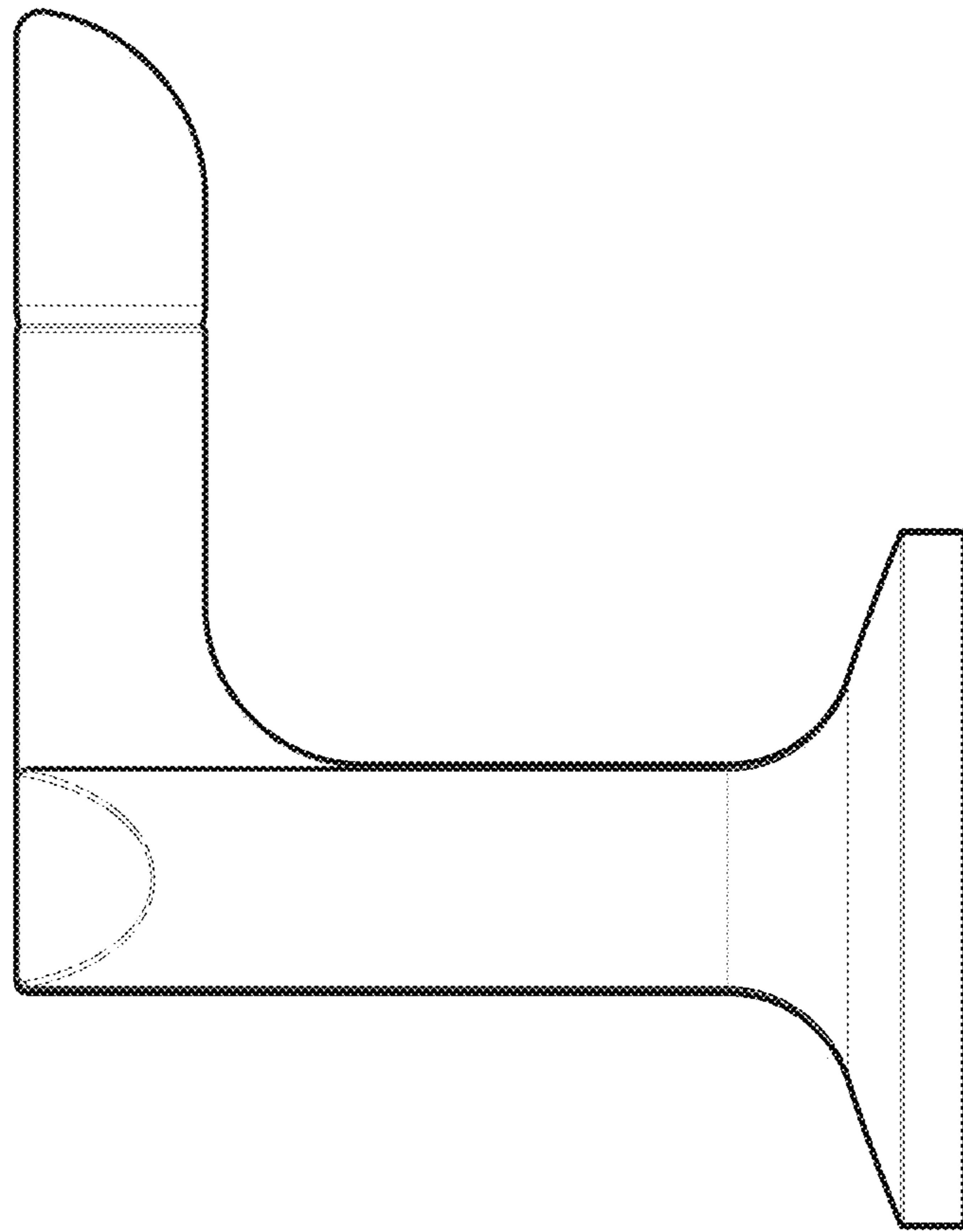


Fig. 5

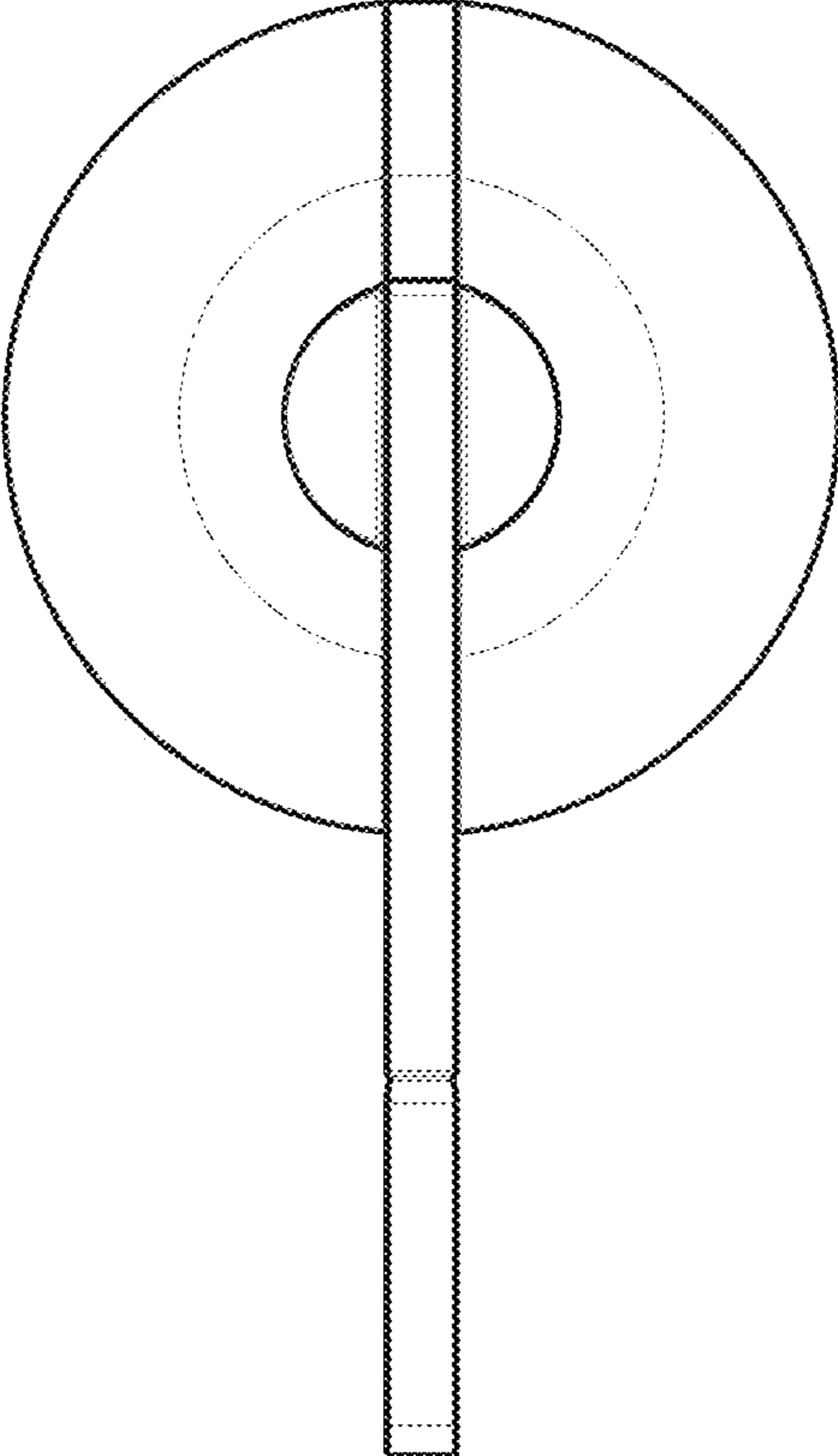


Fig. 7