



US00D915559S

(12) **United States Design Patent** (10) **Patent No.:** **US D915,559 S**
Seum et al. (45) **Date of Patent:** **** Apr. 6, 2021**

(54) **FAUCET HANDLE**
(71) Applicant: **Grohe AG**, Hemer (DE)
(72) Inventors: **Michael Seum**, Duesseldorf (DE);
Christoph Kuppert, Cologne (DE)
(73) Assignee: **Grohe AG**, Hemer (DE)
(**) Term: **15 Years**

D645,941 S * 9/2011 Ando D23/242
D648,828 S * 11/2011 Meyer D23/252
8,079,381 B2 * 12/2011 Fischer F16K 31/607
137/359
D665,878 S * 8/2012 Flowers D23/250
D665,879 S * 8/2012 Flowers D23/252
D810,887 S * 2/2018 Schoenherr D23/254
D827,782 S * 9/2018 Soulier D23/252
D886,242 S * 6/2020 Eads D23/252

* cited by examiner

(21) Appl. No.: **29/700,708**
(22) Filed: **Aug. 5, 2019**

Primary Examiner — Robert A Delehanty
(74) *Attorney, Agent, or Firm* — Muncy, Geissler, Olds & Lowe, P.C.

(30) **Foreign Application Priority Data**

(57) **CLAIM**

Feb. 5, 2019 (EM) 006164083-0003

The ornamental design for a faucet handle, as shown and described.

(51) **LOC (13) Cl.** **23-01**

DESCRIPTION

(52) **U.S. Cl.**
USPC **D23/250**

(58) **Field of Classification Search**
USPC D23/238–243, 250, 252, 254;
D8/307–308, 300–301
See application file for complete search history.

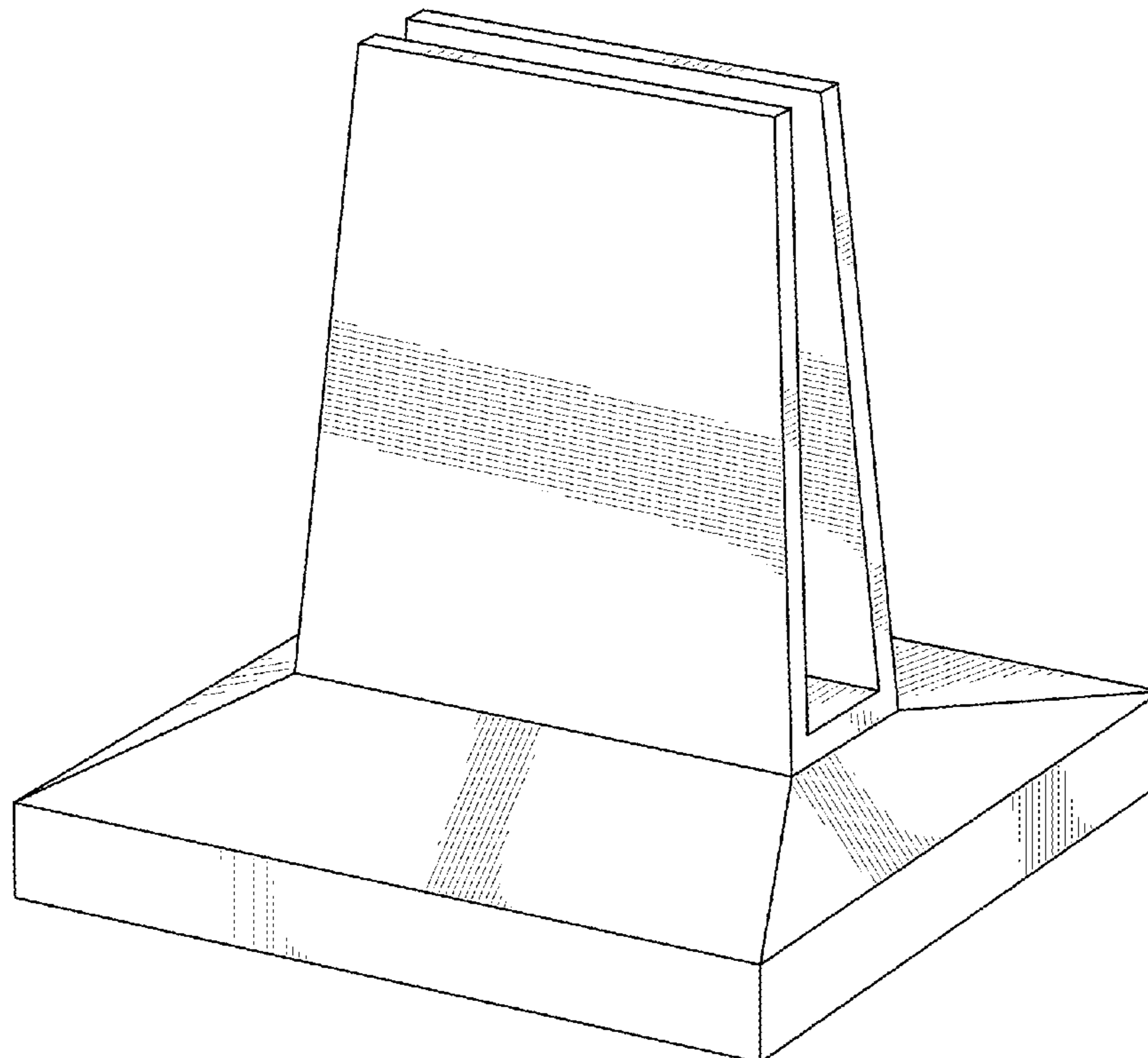
FIG. 1 is a front perspective view of a faucet handle according to the present invention.
FIG. 2 is a front view of the faucet handle of FIG. 1.
FIG. 3 is a rear view of the faucet handle of FIG. 1.
FIG. 4 is a left side view of the faucet handle of FIG. 1.
FIG. 5 is a right side view of the faucet handle of FIG. 1.
FIG. 6 is a top view of the faucet handle of FIG. 1; and,
FIG. 7 is a bottom view of the faucet handle of FIG. 1.
The dashed lines illustrate environment that does not form a part of the present invention, and no claim is made to the material illustrated with dashed lines.

(56) **References Cited**

U.S. PATENT DOCUMENTS

D208,918 S * 10/1967 Dole, Jr. D8/311
D529,586 S * 10/2006 Kulig D23/242
D532,086 S * 11/2006 Haug D23/252
D627,446 S * 11/2010 Yokoyama D23/254
D645,940 S * 9/2011 Ando D23/241

1 Claim, 7 Drawing Sheets



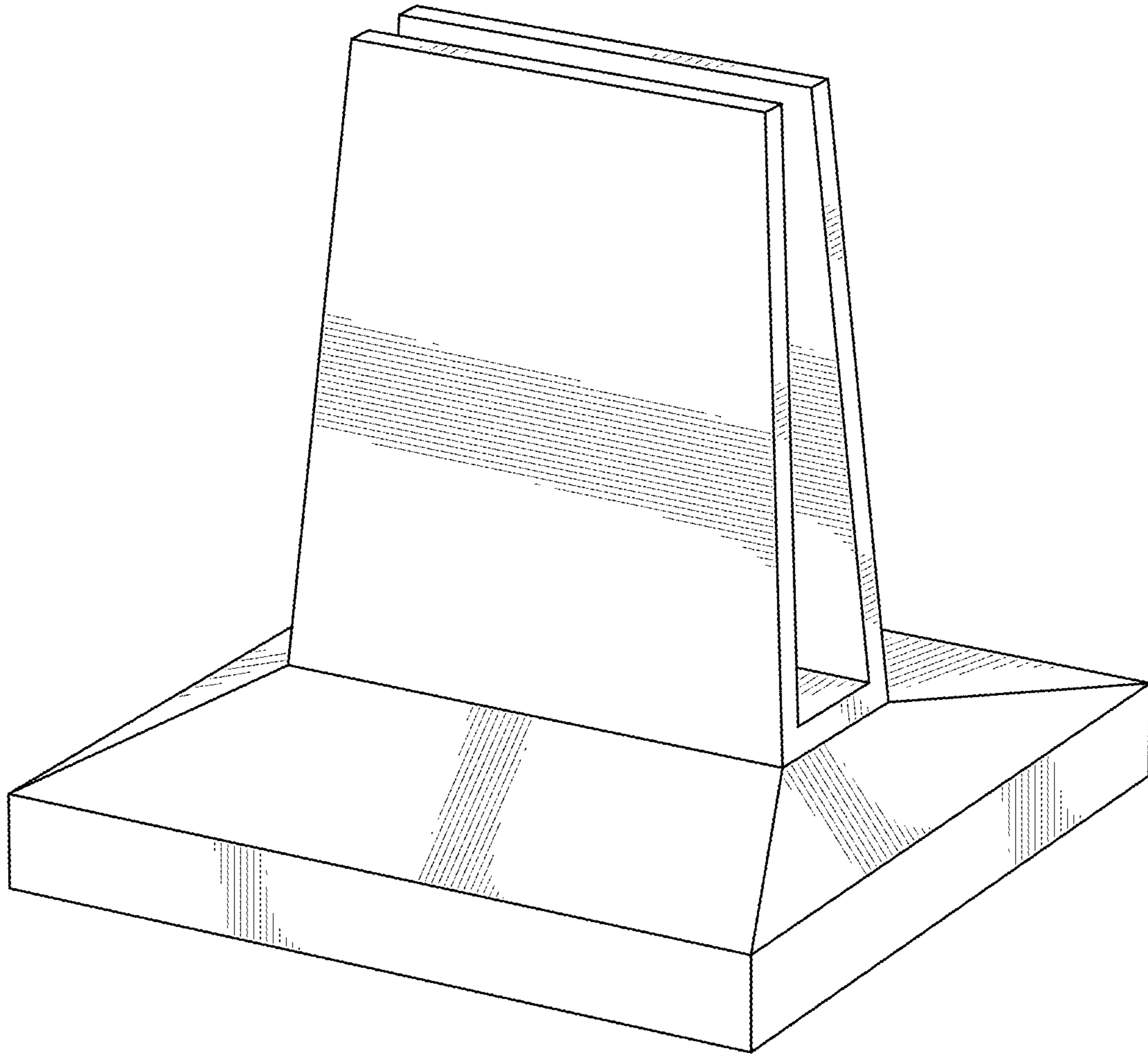


FIG.1

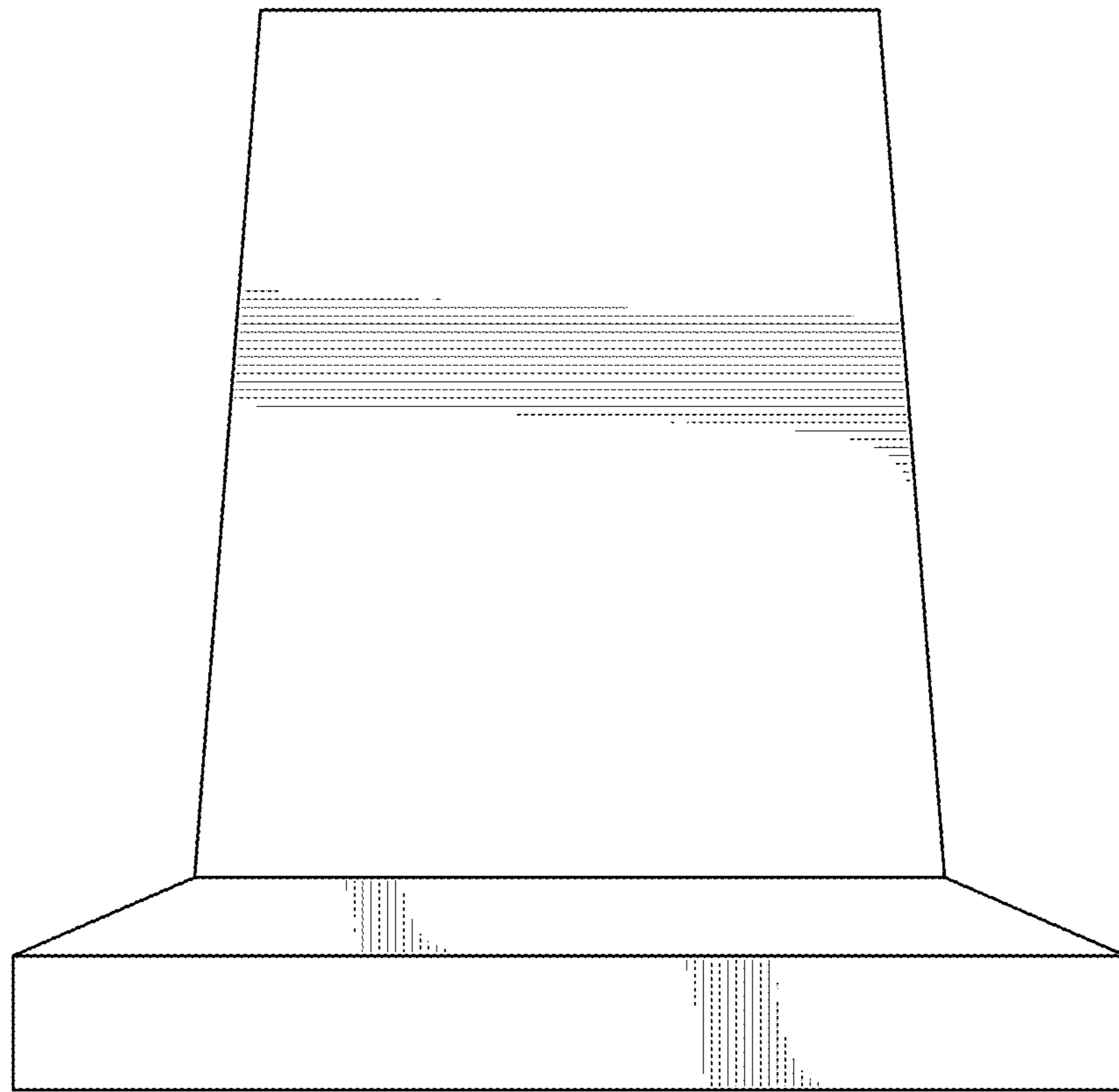


FIG.2

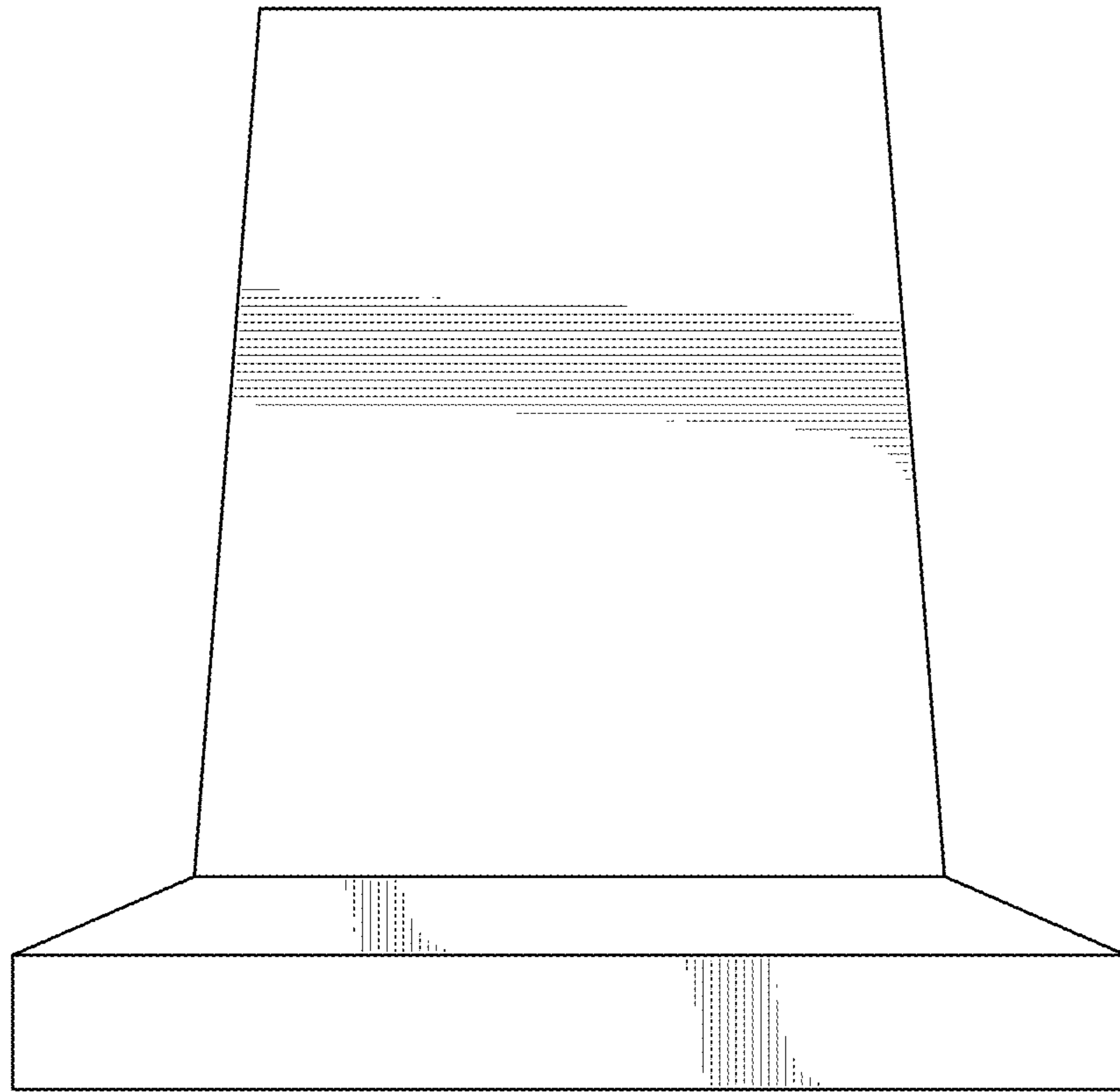


FIG.3

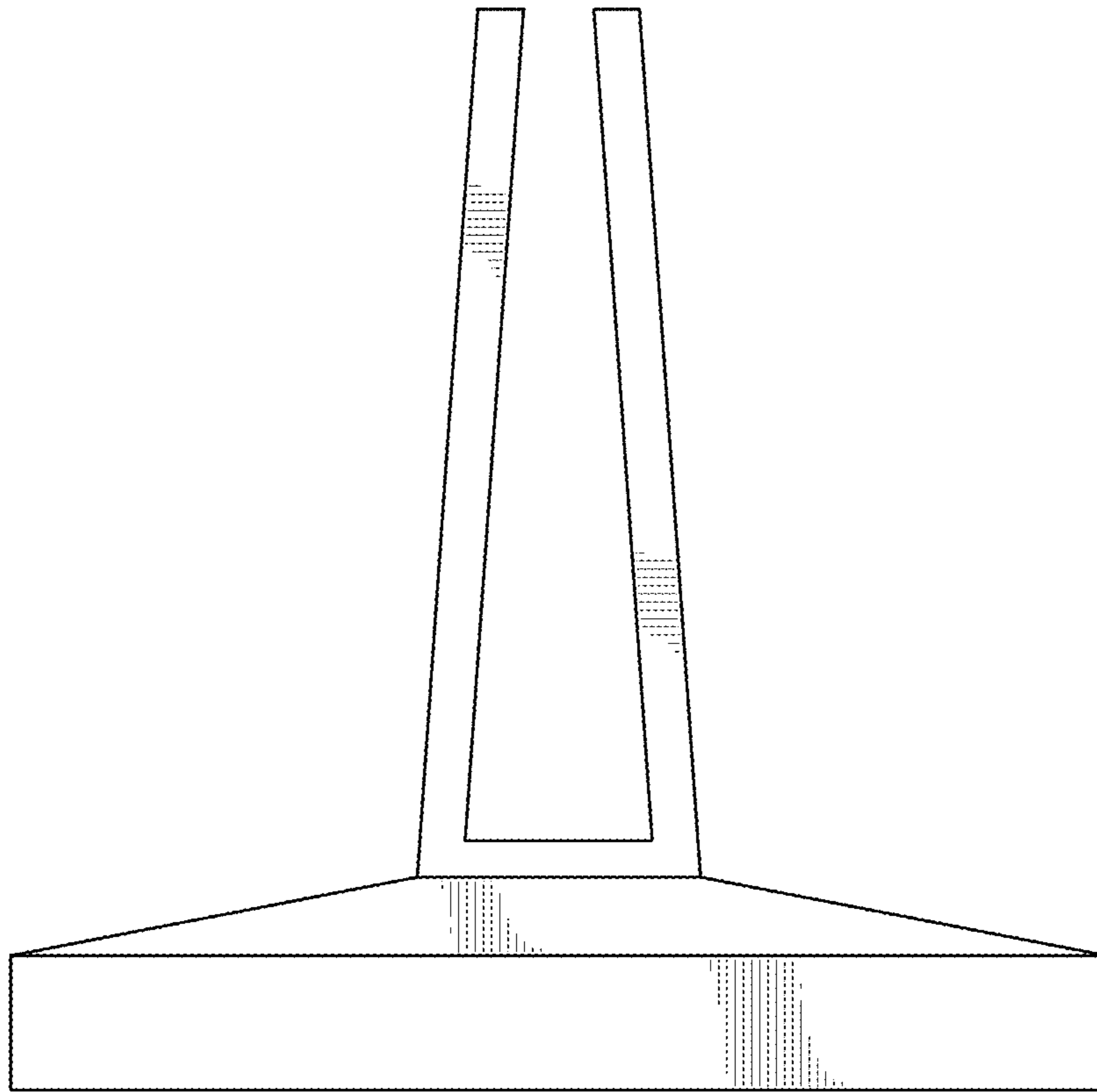


FIG.4

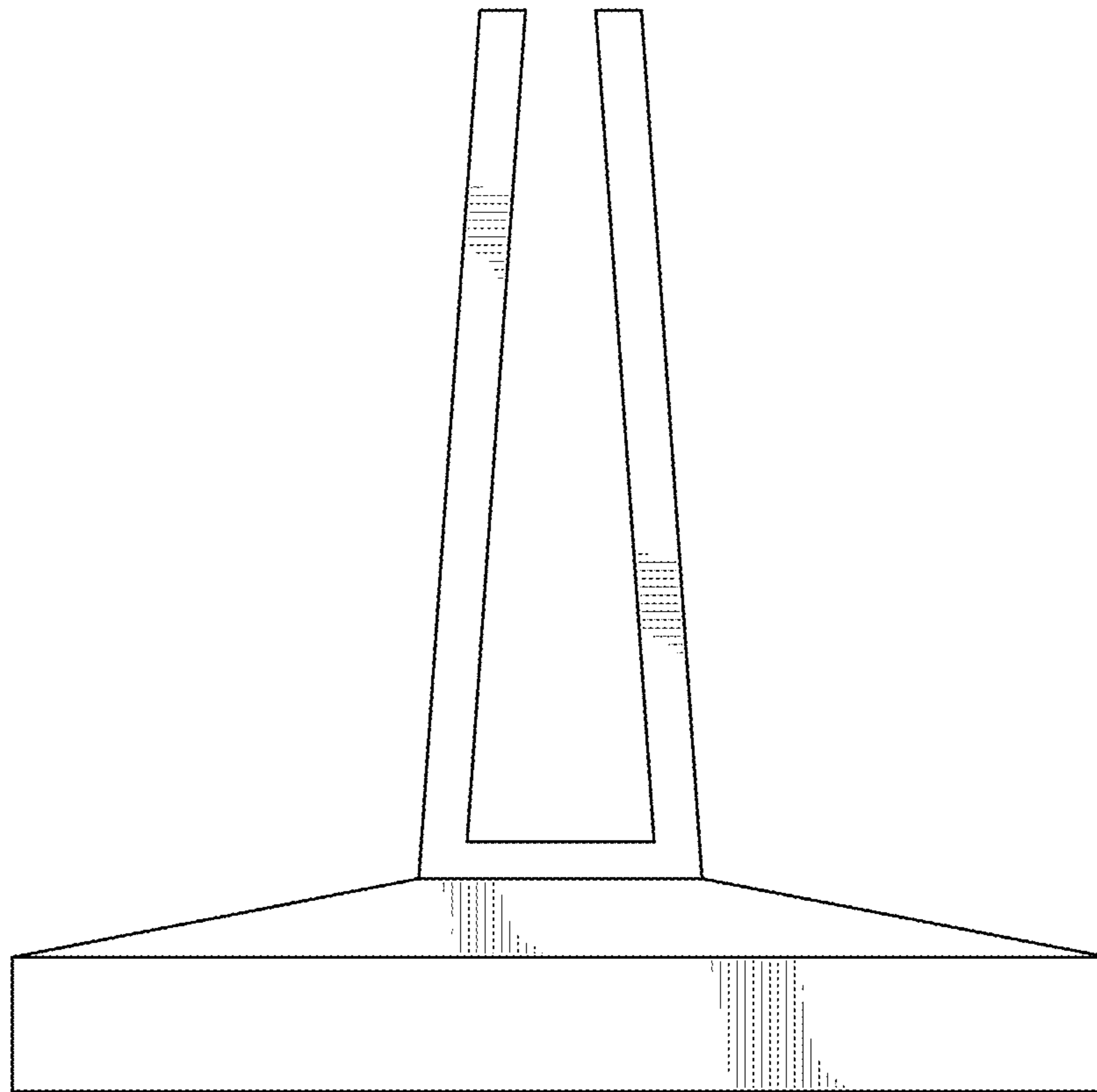


FIG.5

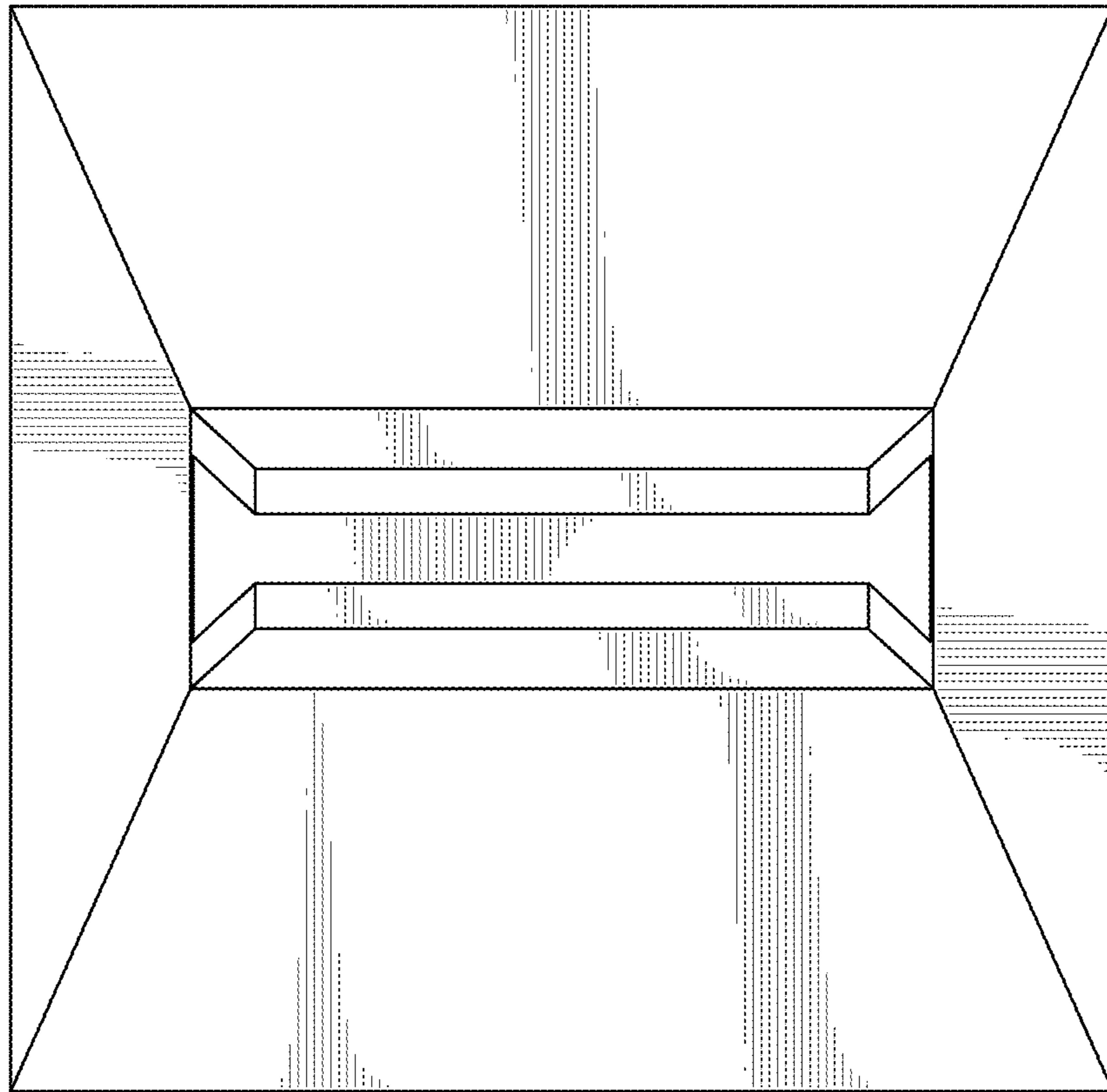


FIG.6

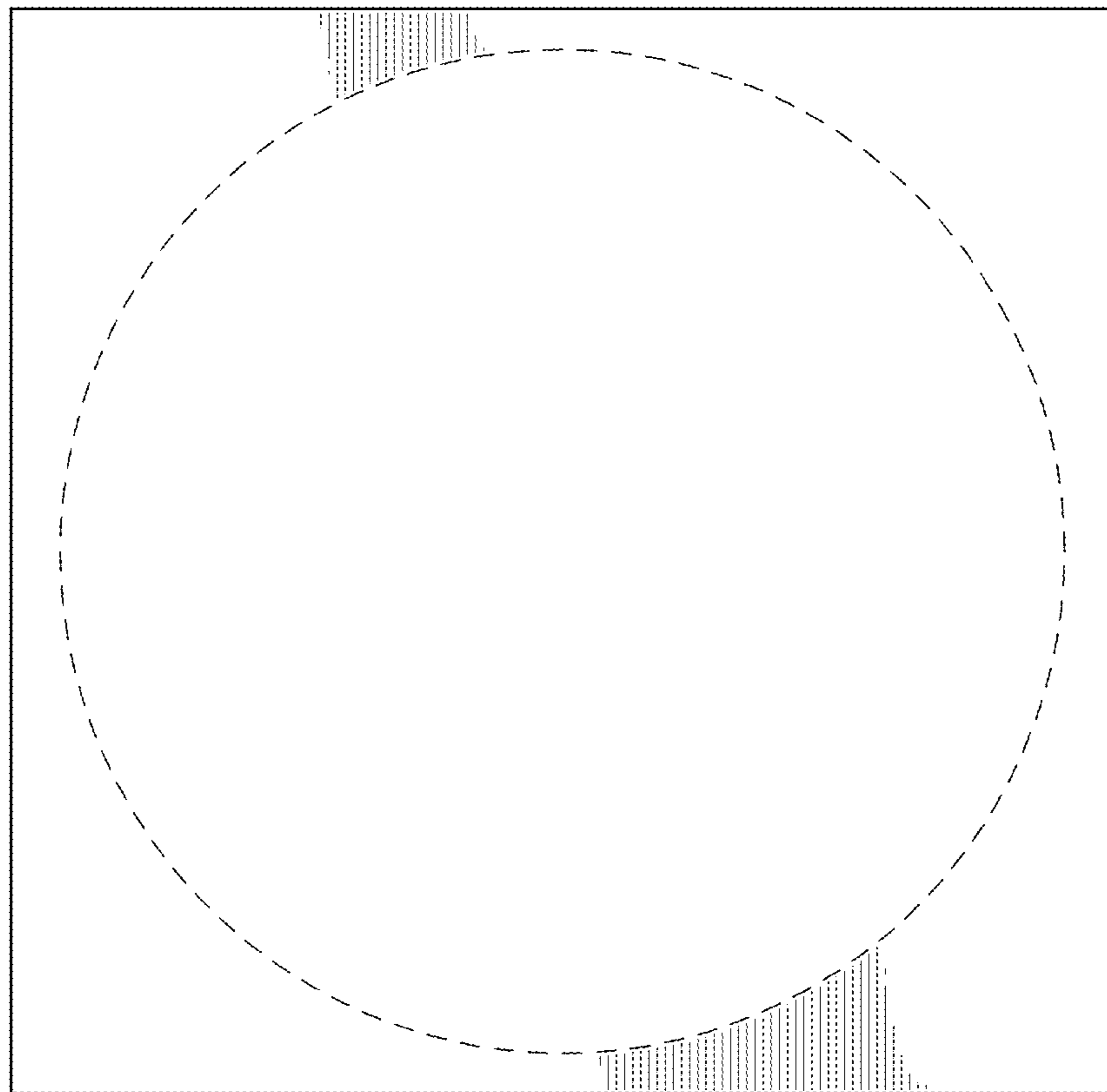


FIG.7