



US00D915558S

(12) **United States Design Patent** (10) **Patent No.:** **US D915,558 S**
Seum et al. (45) **Date of Patent:** **** Apr. 6, 2021**

(54) **FAUCET HANDLE**

D716,658 S * 11/2014 Sillince D9/447
D808,243 S * 1/2018 Clements D8/311
D811,540 S * 2/2018 Schoenherr D23/250

(71) Applicant: **Grohe AG**, Hemer (DE)

* cited by examiner

(72) Inventors: **Michael Seum**, Duesseldorf (DE);
Christoph Kuppert, Cologne (DE)

Primary Examiner — Robert A Delehanty

(73) Assignee: **Grohe AG**, Hemer (DE)

(74) *Attorney, Agent, or Firm* — Muncy, Geissler, Olds & Lowe, P.C.

(**) Term: **15 Years**

(21) Appl. No.: **29/700,700**

(57) **CLAIM**
The ornamental design for a faucet handle, as shown and described.

(22) Filed: **Aug. 5, 2019**

(30) **Foreign Application Priority Data**

DESCRIPTION

Feb. 5, 2019 (EM) 006164083-0005

(51) **LOC (13) Cl.** **23-01**

(52) **U.S. Cl.**
USPC **D23/250**

(58) **Field of Classification Search**
USPC D23/238–243, 250, 252, 254;
D8/307–308, 300–301
See application file for complete search history.

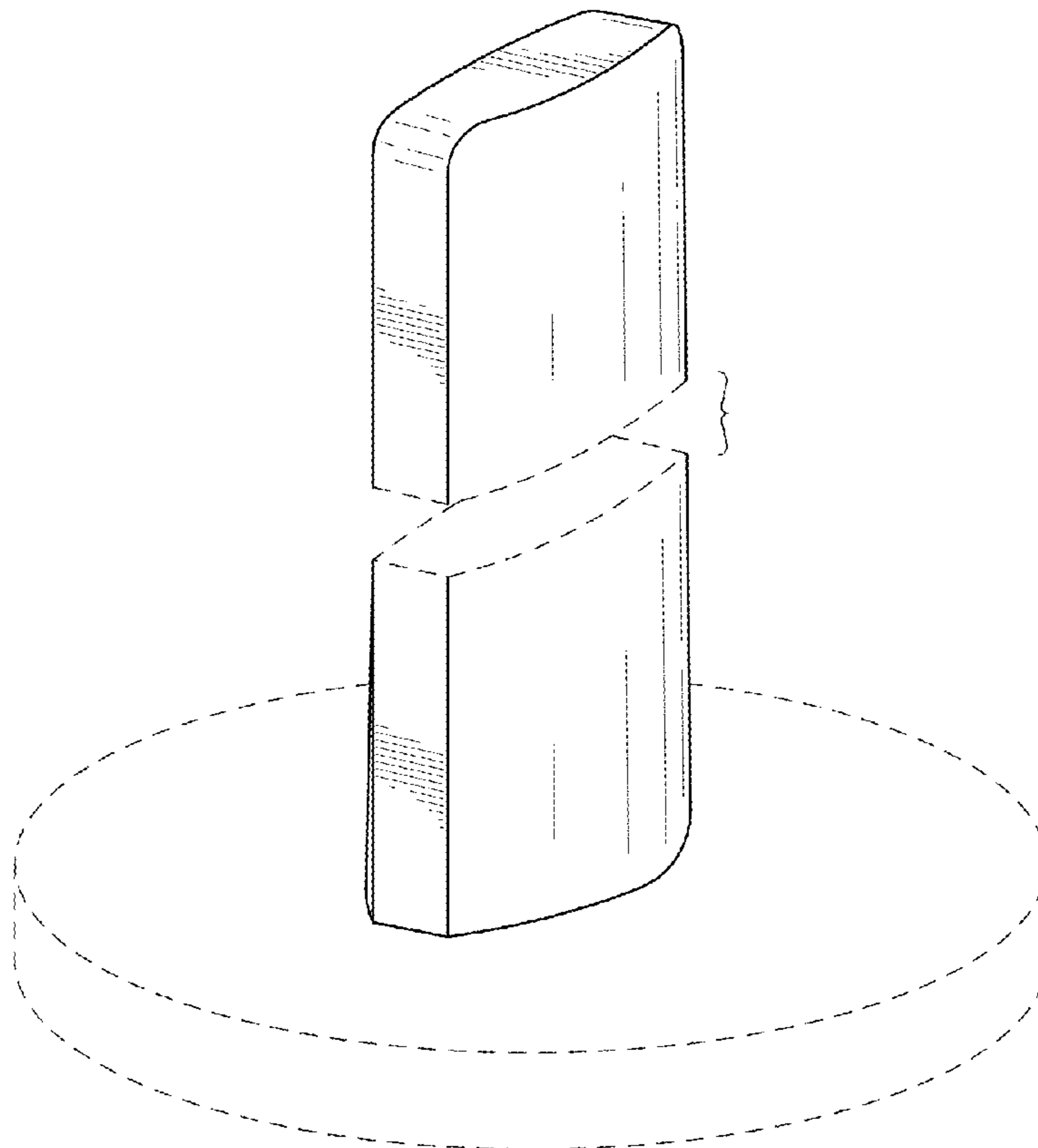
FIG. 1 is a front perspective view of a faucet handle according to the present invention.
FIG. 2 is a front view of the faucet handle of FIG. 1.
FIG. 3 is a rear view of the faucet handle of FIG. 1.
FIG. 4 is a left side view of the faucet handle of FIG. 1.
FIG. 5 is a right side view of the faucet handle of FIG. 1.
FIG. 6 is a top view of the faucet handle of FIG. 1; and, FIG. 7 is a bottom view of the faucet handle of FIG. 1.
The dashed lines illustrate environment that does not form a part of the present invention, and no claim is made to the material illustrated with dashed lines.
The appearance of any portion of the article between the broken away symbols forms no part of the claimed design.

(56) **References Cited**

U.S. PATENT DOCUMENTS

4,903,855 A * 2/1990 Ducay A61J 1/10
215/249
D529,586 S * 10/2006 Kulig D23/242

1 Claim, 7 Drawing Sheets



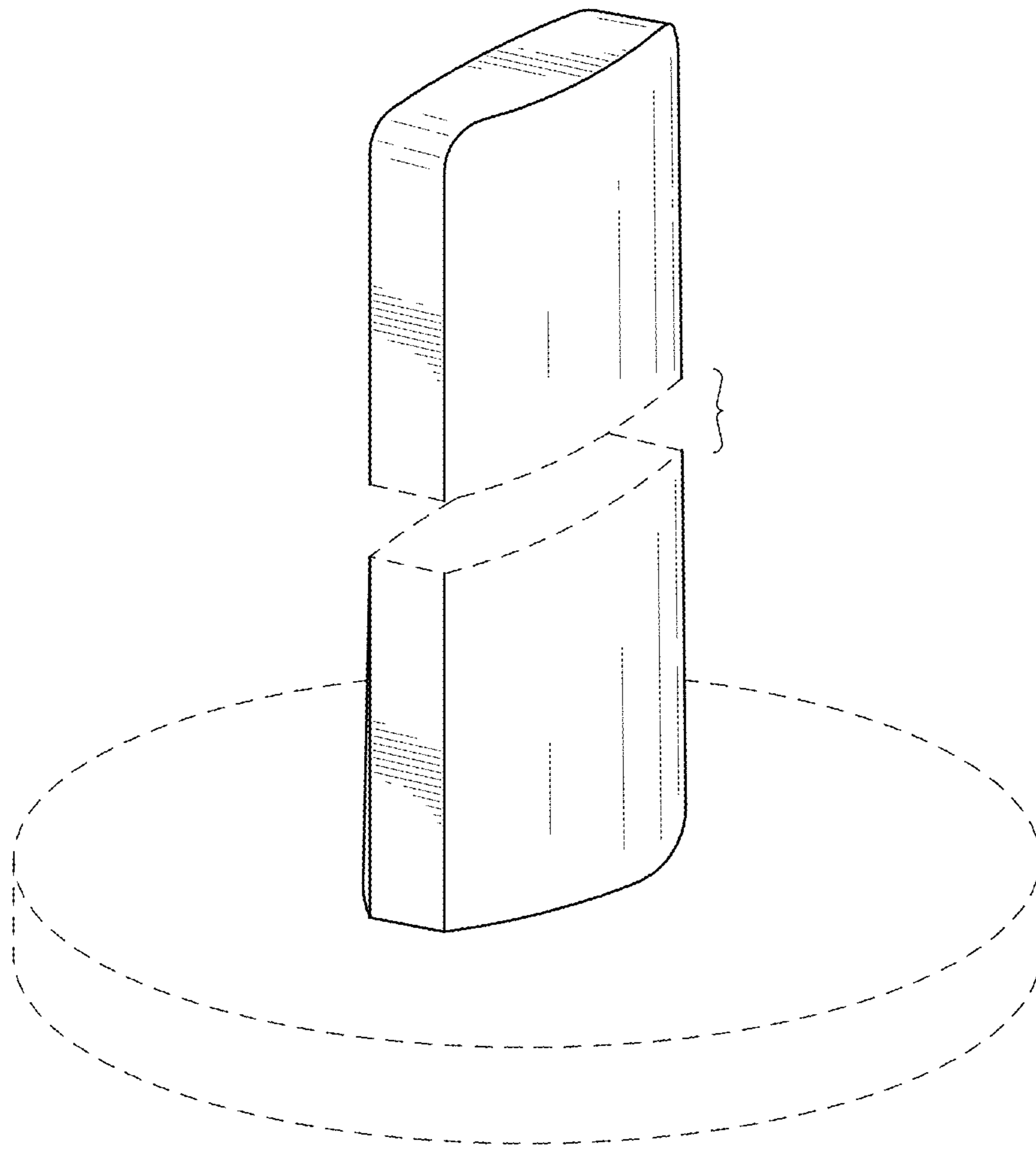


FIG.1

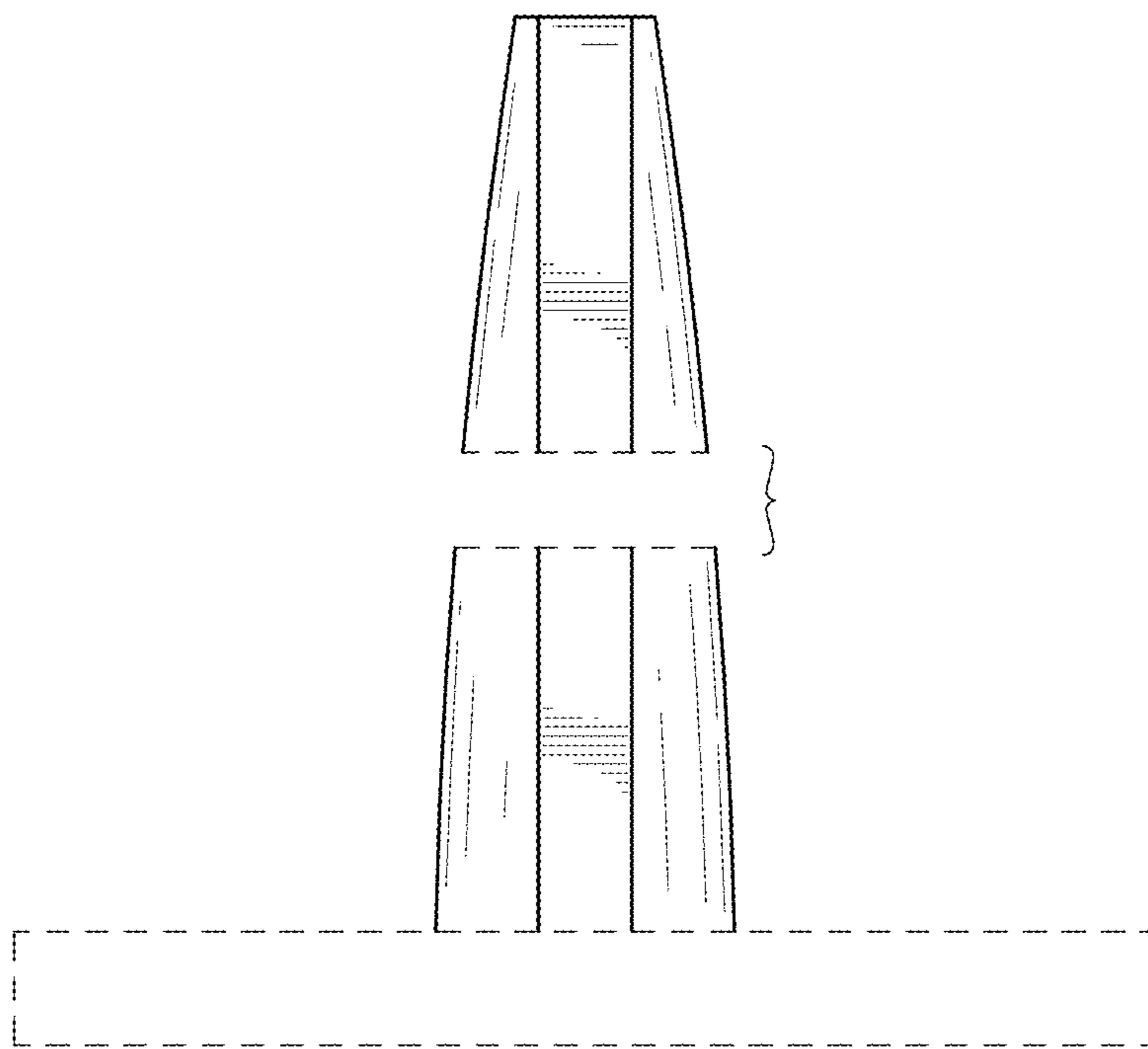


FIG.2

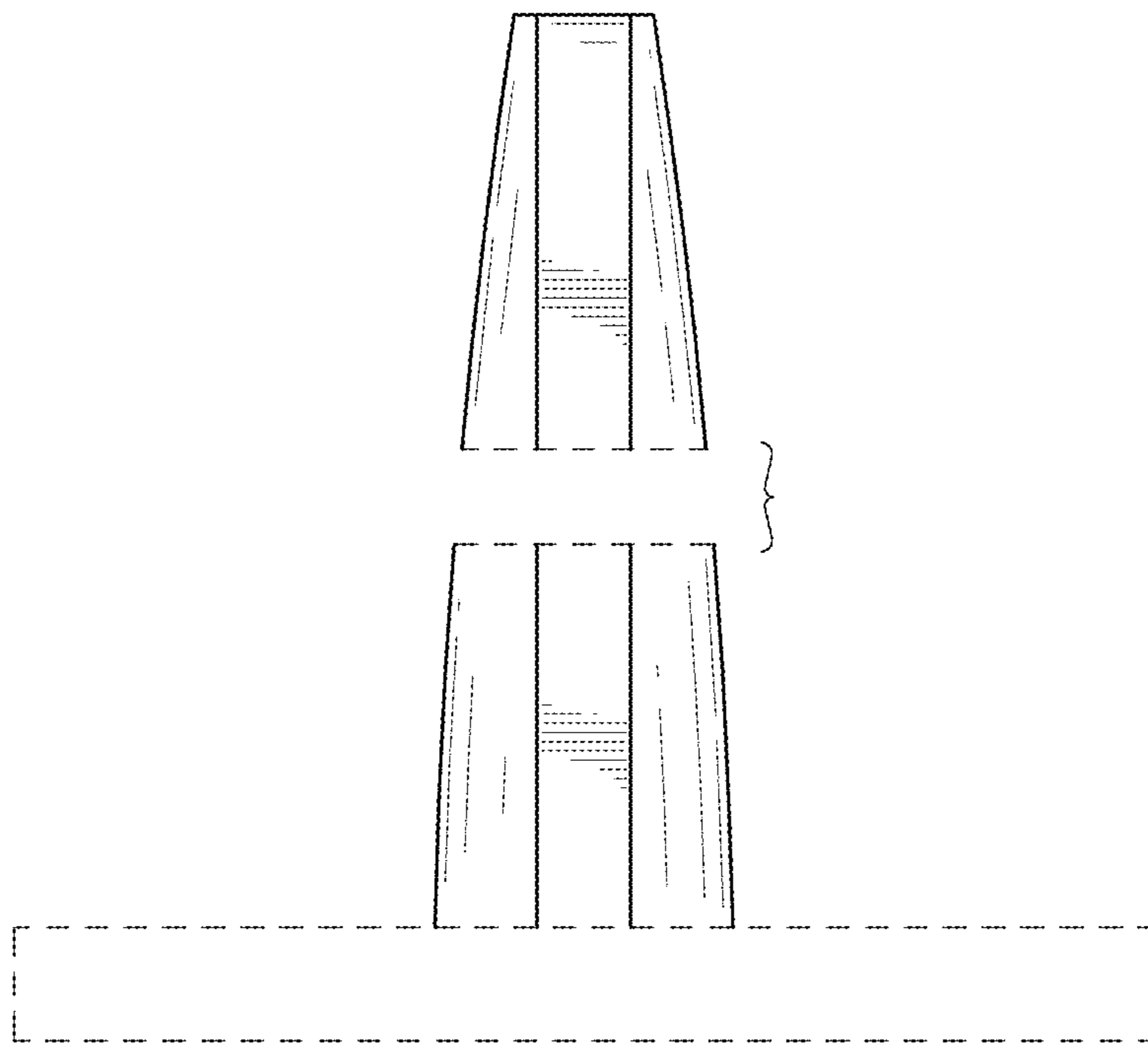


FIG.3

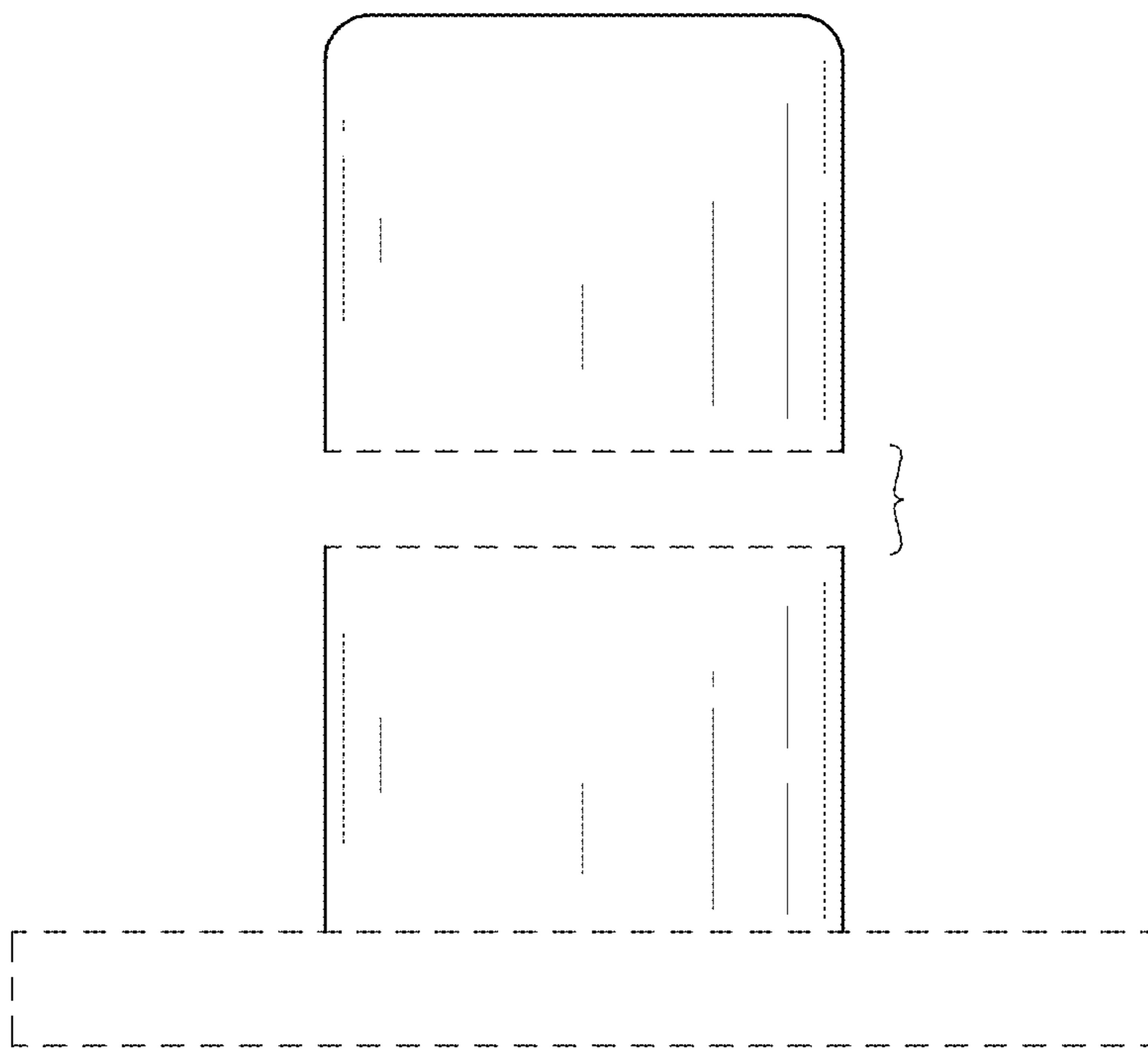


FIG.4

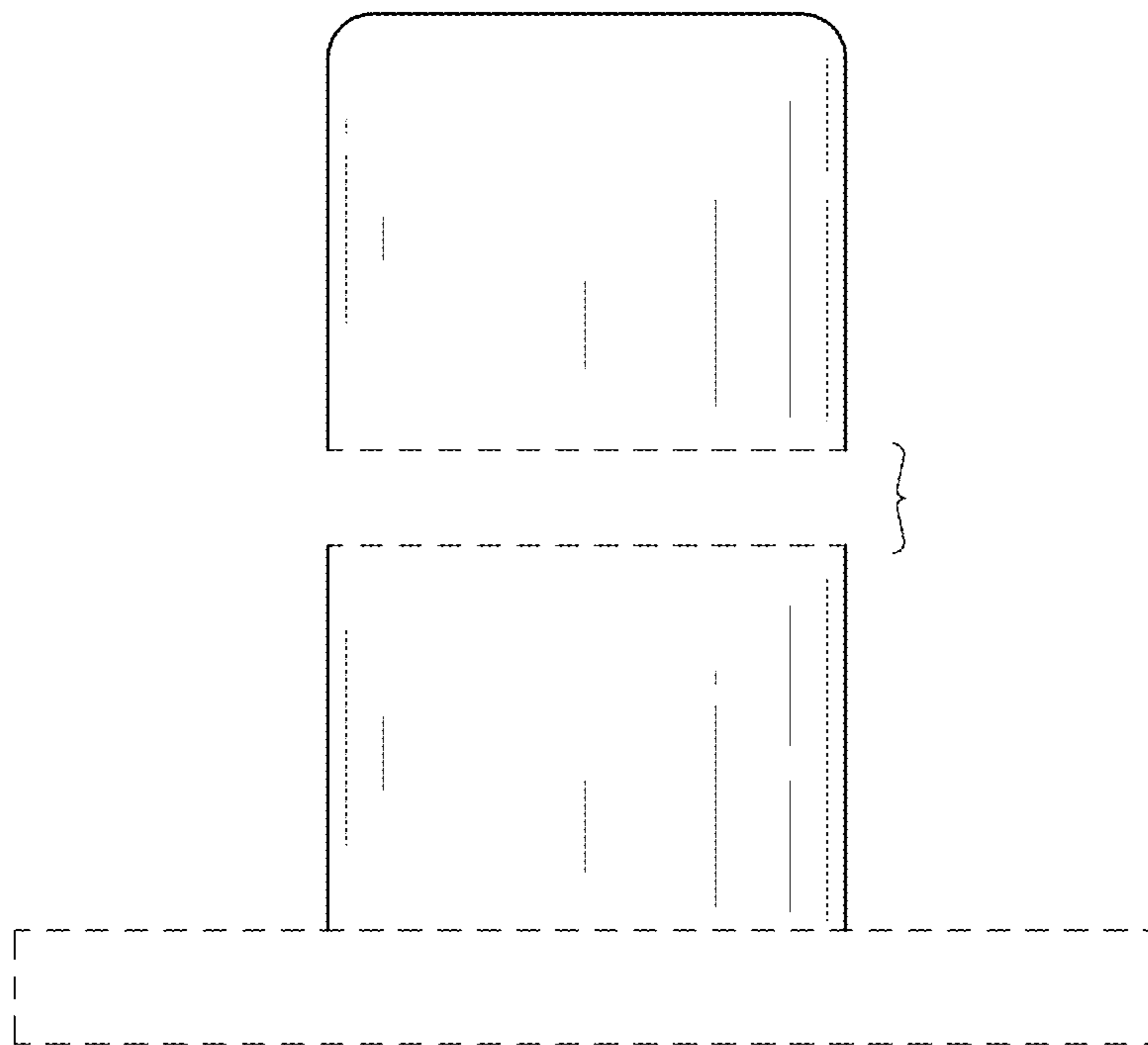


FIG.5

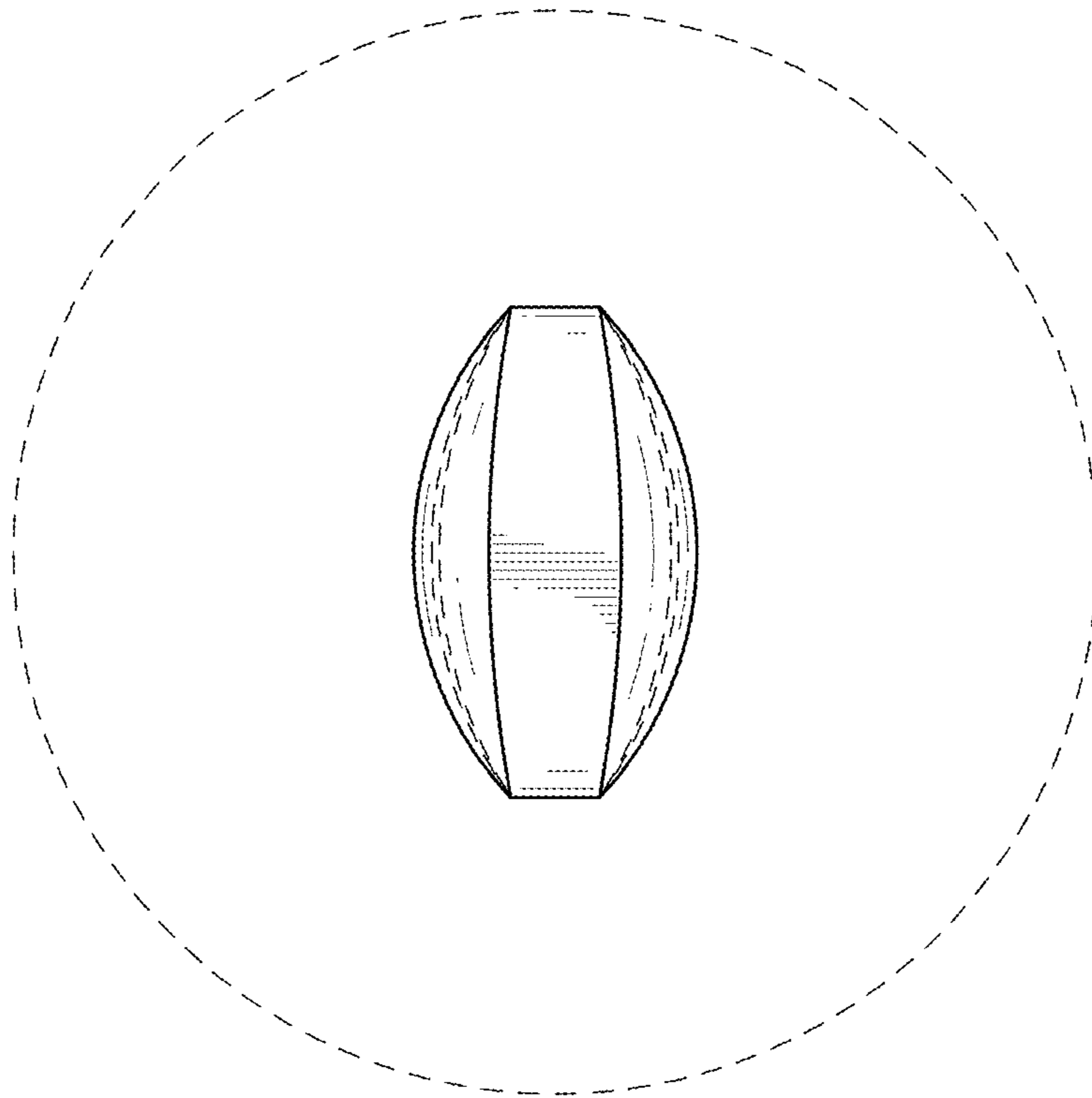


FIG.6

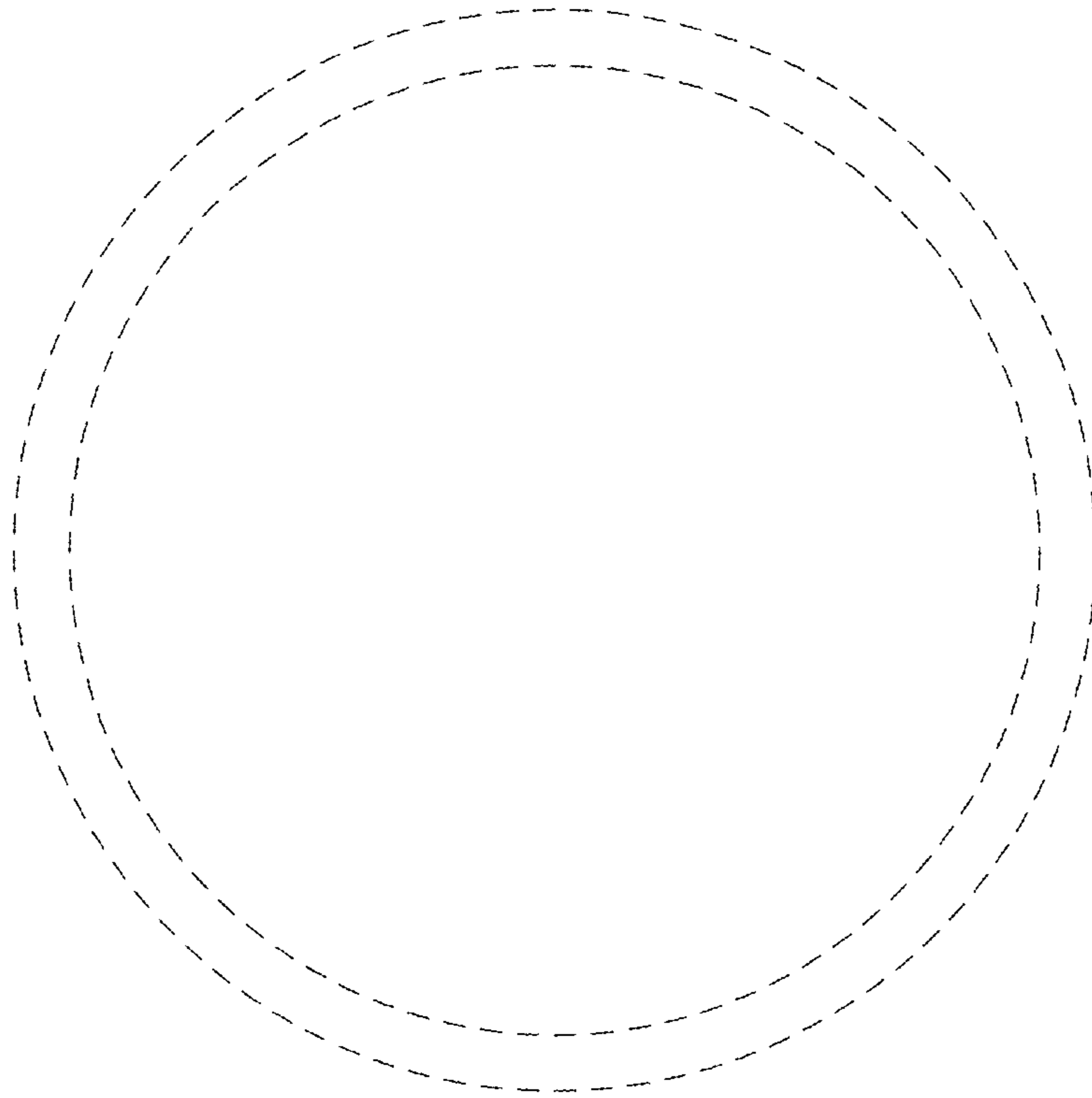


FIG. 7