



US00D915557S

(12) **United States Design Patent**
Takahashi et al.

(10) **Patent No.:** **US D915,557 S**
(45) **Date of Patent:** **** Apr. 6, 2021**

(54) **FAUCET HANDLE**

(56) **References Cited**

(71) Applicant: **TOTO, Ltd.**, Kitakyushu (JP)

U.S. PATENT DOCUMENTS

(72) Inventors: **Yasushi Takahashi**, Kitakyushu (JP);
Shogo Takayama, Kitakyushu (JP);
Takanori Shimazoe, Kitakyushu (JP);
Kanako Fukuoka, Kitakyushu (JP);
Tomohiro Miyazaki, Kitakyushu (JP);
Mark Sydavong, Singapore (SG)

D518,152 S * 3/2006 Theberge D23/252
8,079,381 B2 * 12/2011 Fischer F16K 31/607
137/359
D879,582 S * 3/2020 Olson D8/316
D900,971 S * 11/2020 Takahashi D23/238

* cited by examiner

(73) Assignee: **TOTO Ltd.**, Kitakyushu (JP)

Primary Examiner — Robert A Delehanty

(**) Term: **15 Years**

(74) *Attorney, Agent, or Firm* — Banner & Witcoff, Ltd.

(21) Appl. No.: **29/685,657**

(57) **CLAIM**

The ornamental design for a faucet handle, as shown and described.

(22) Filed: **Mar. 29, 2019**

DESCRIPTION

(30) **Foreign Application Priority Data**

Dec. 27, 2018 (JP) 2018-028774

FIG. 1 is a perspective view of a faucet handle showing our new design;

(51) **LOC (13) Cl.** **23-01**

FIG. 2 is a front view thereof;

(52) **U.S. Cl.**
USPC **D23/250**

FIG. 3 is a rear view thereof;

(58) **Field of Classification Search**
USPC D23/238–243, 250, 252, 254; D8/300,
D8/307; D7/393

FIG. 4 is a left side view thereof;

FIG. 5 is a right side view thereof;

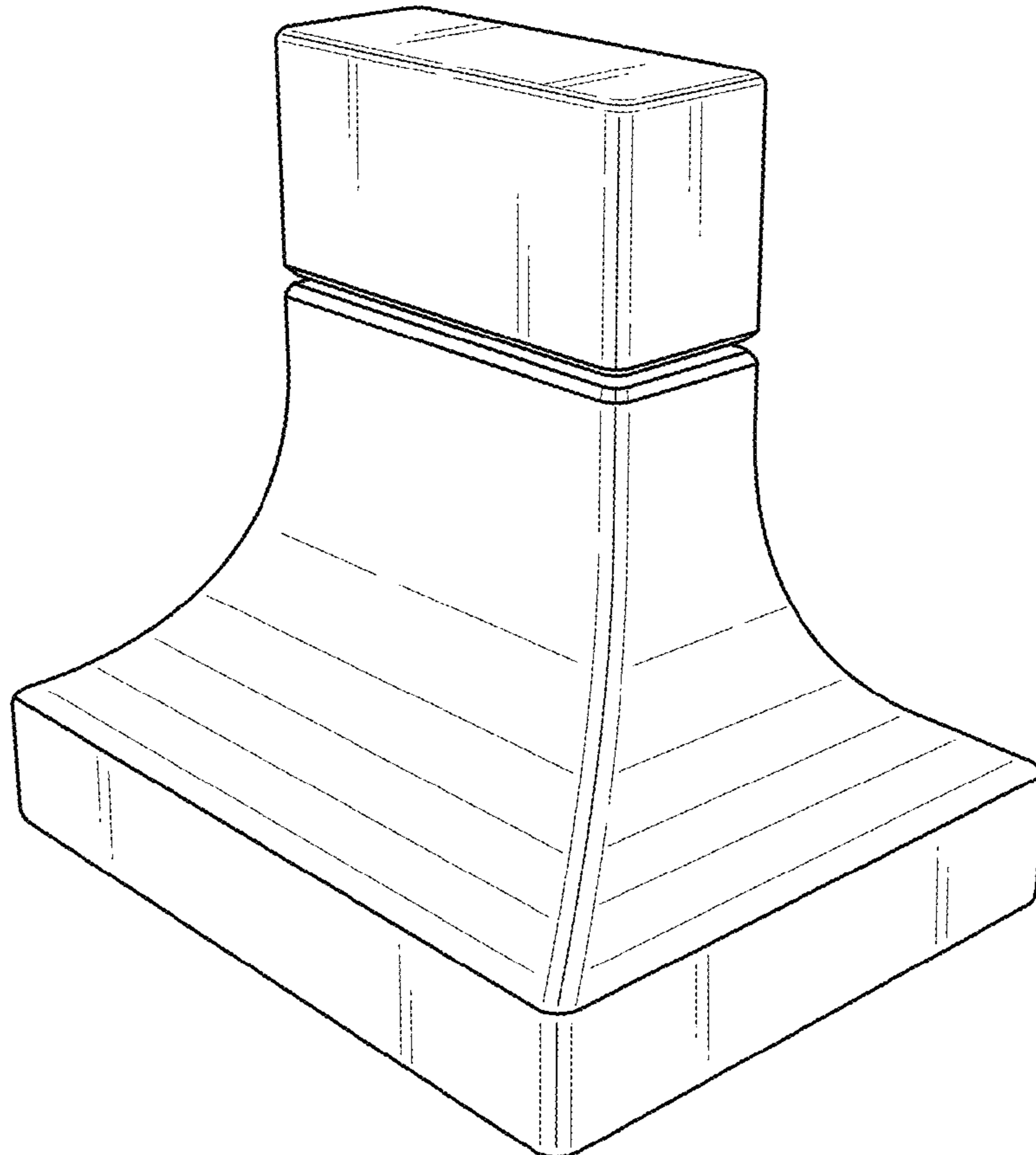
FIG. 6 is a top view thereof; and,

FIG. 7 is a bottom view thereof.

The broken lines shown in the figures are included for the purpose of illustrating portions of the faucet handle that form no part of the claimed design.

See application file for complete search history.

1 Claim, 4 Drawing Sheets



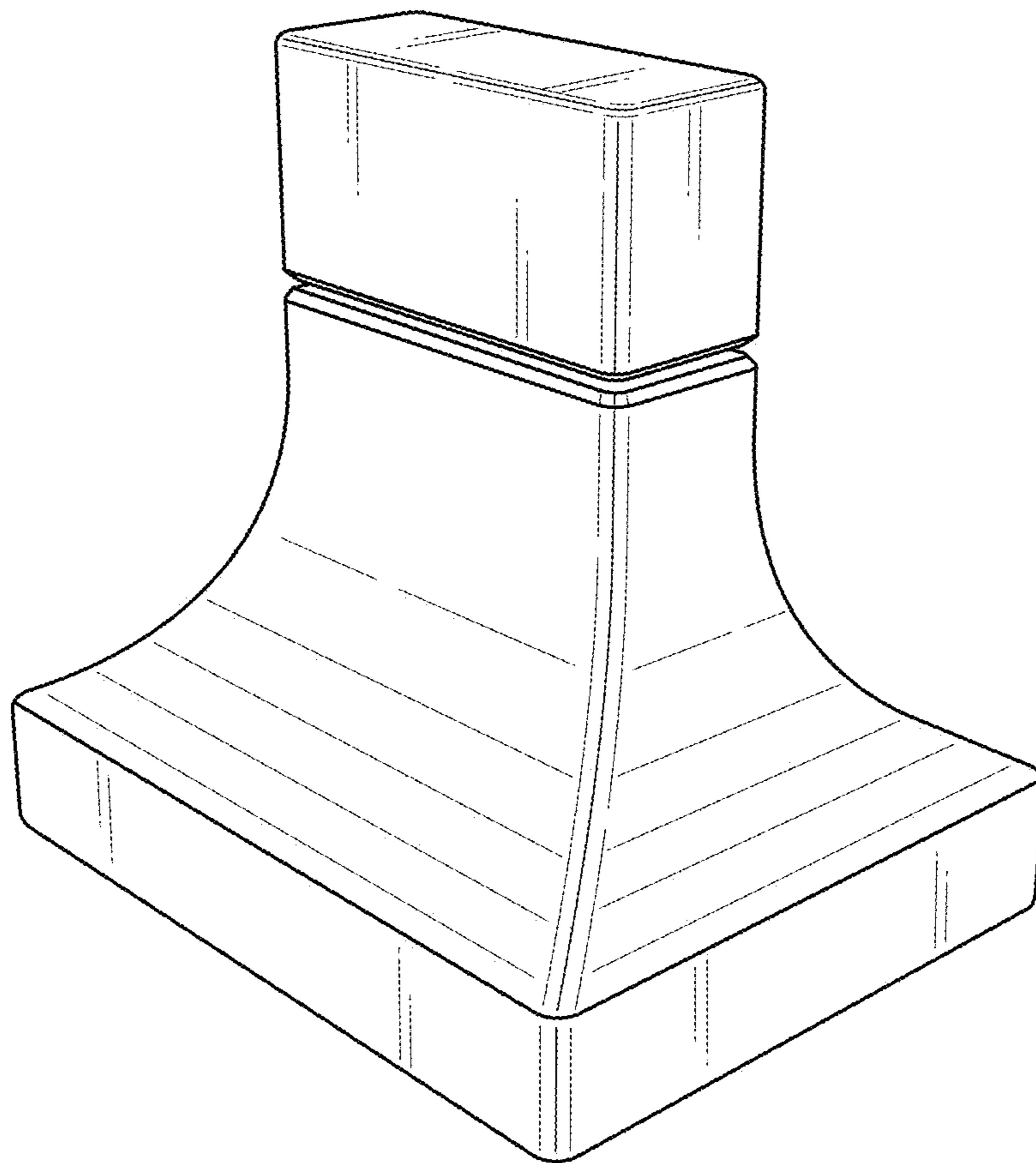


FIG. 1

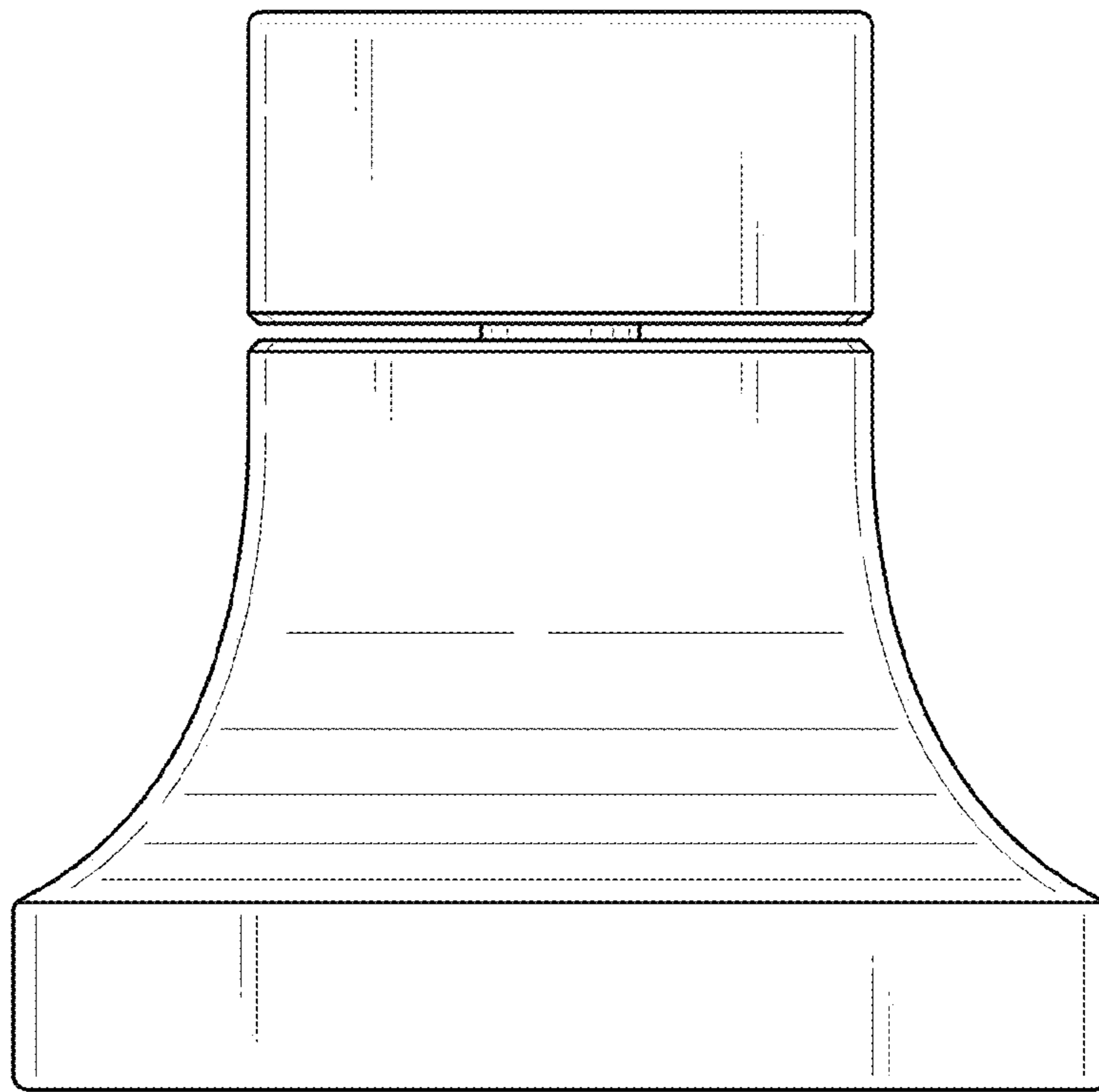


FIG. 2

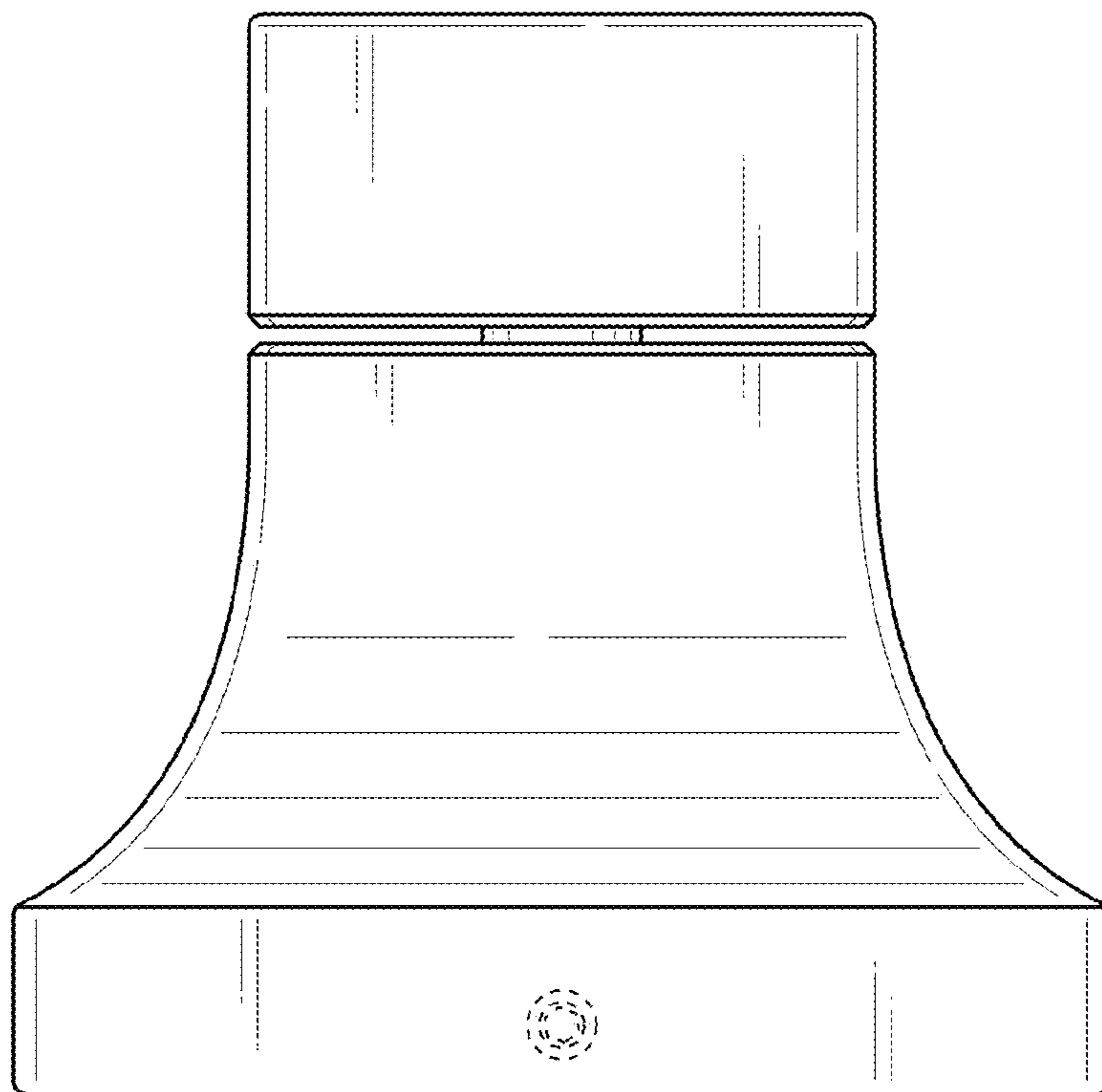


FIG. 3

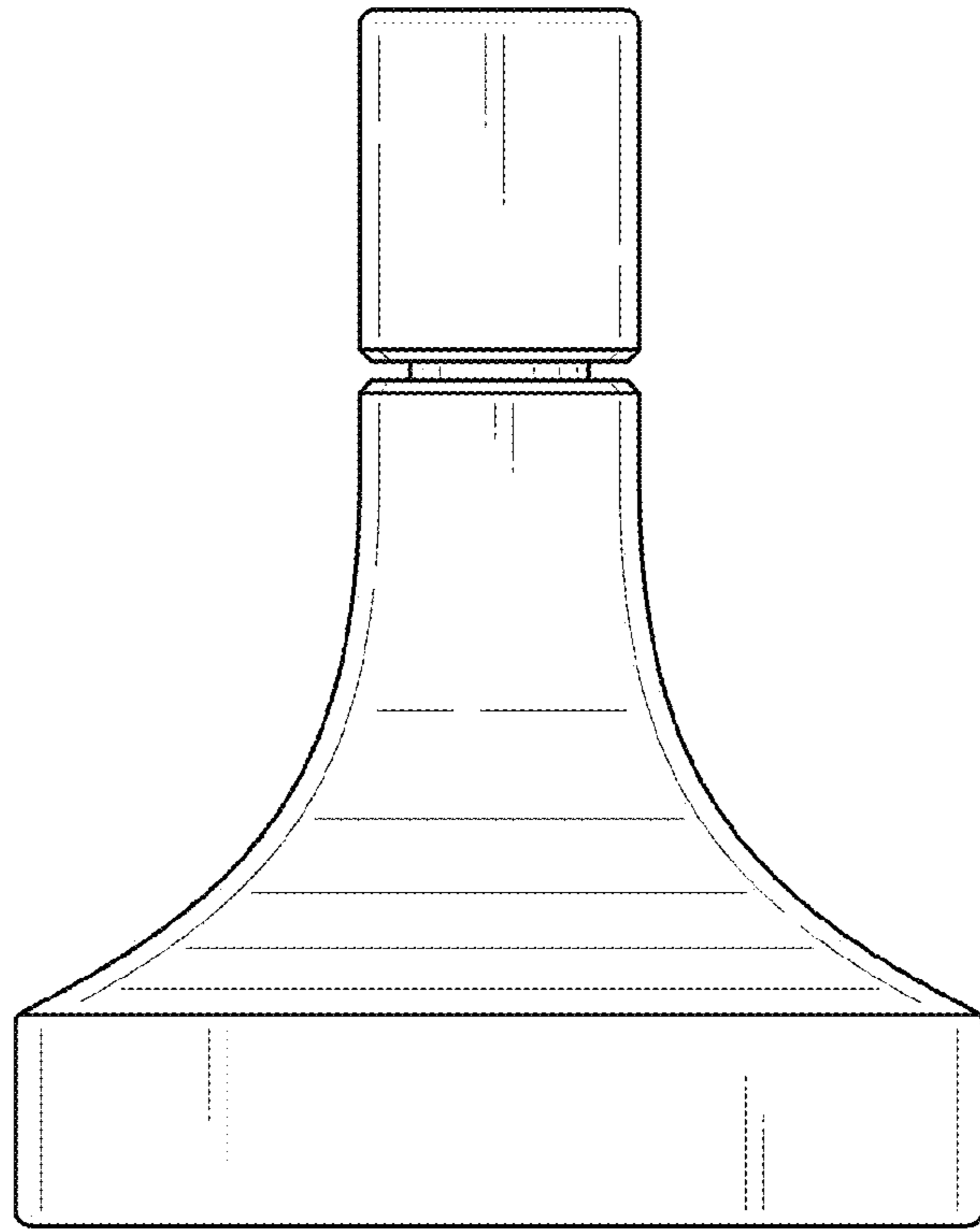


FIG. 4

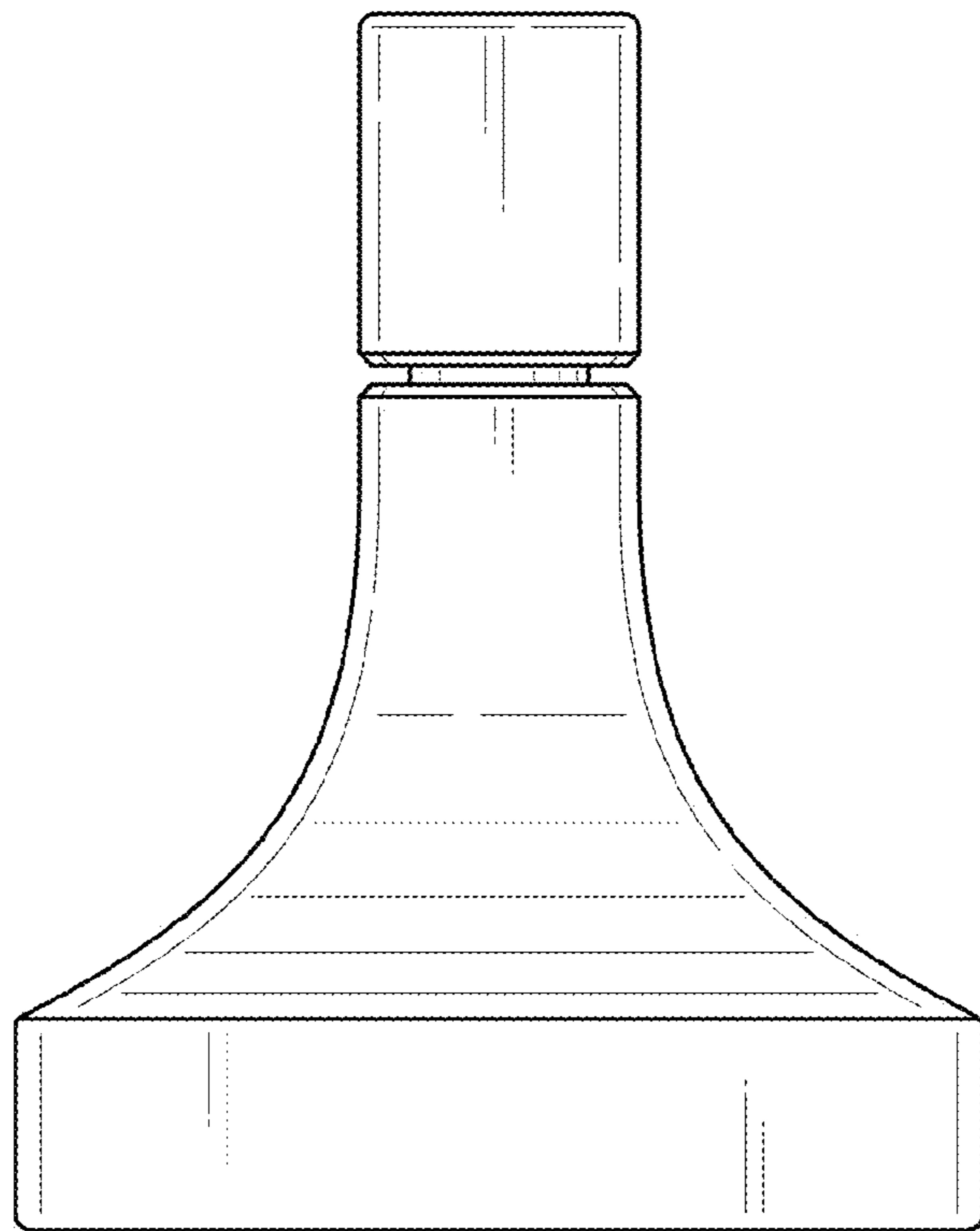


FIG. 5

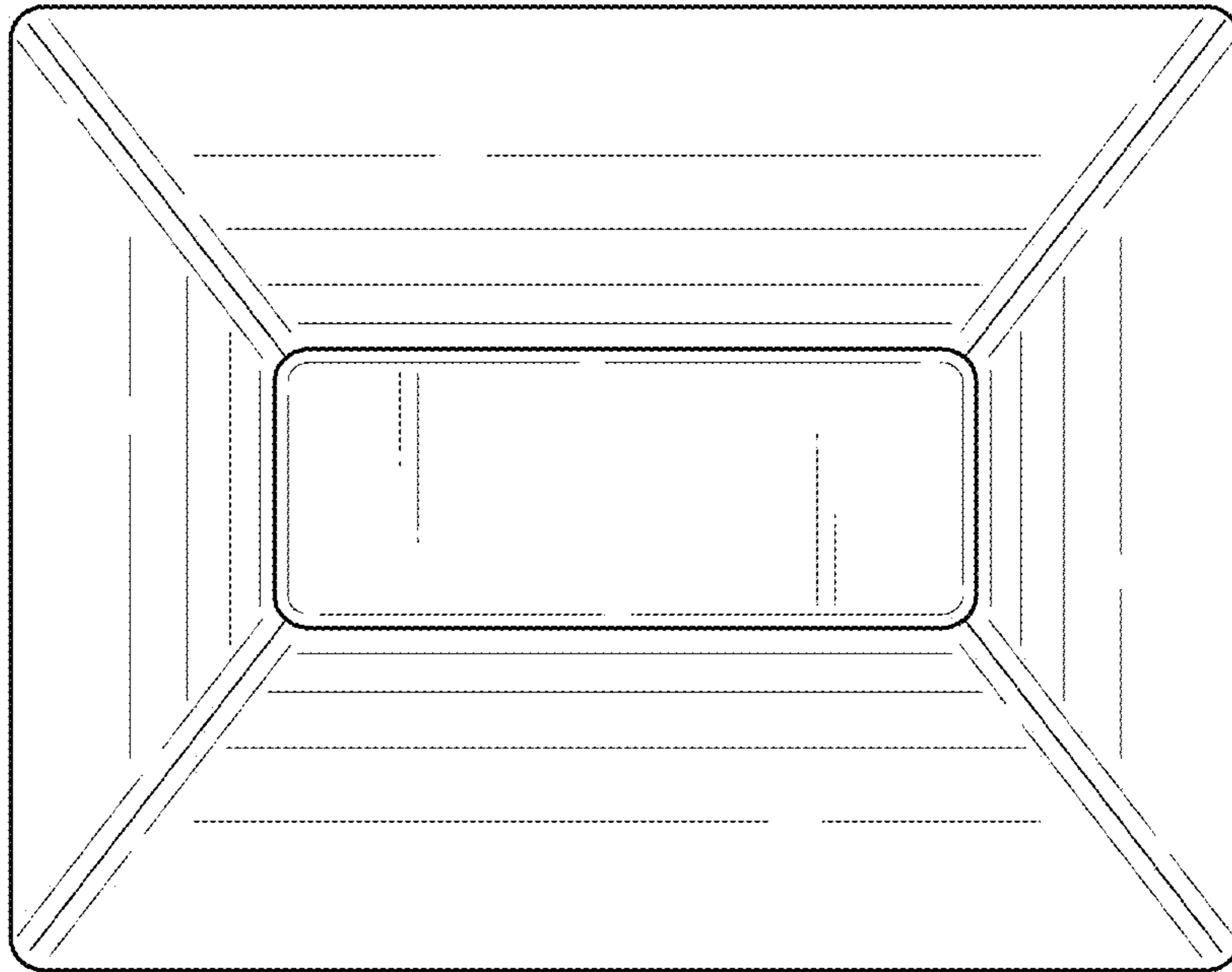


FIG. 6

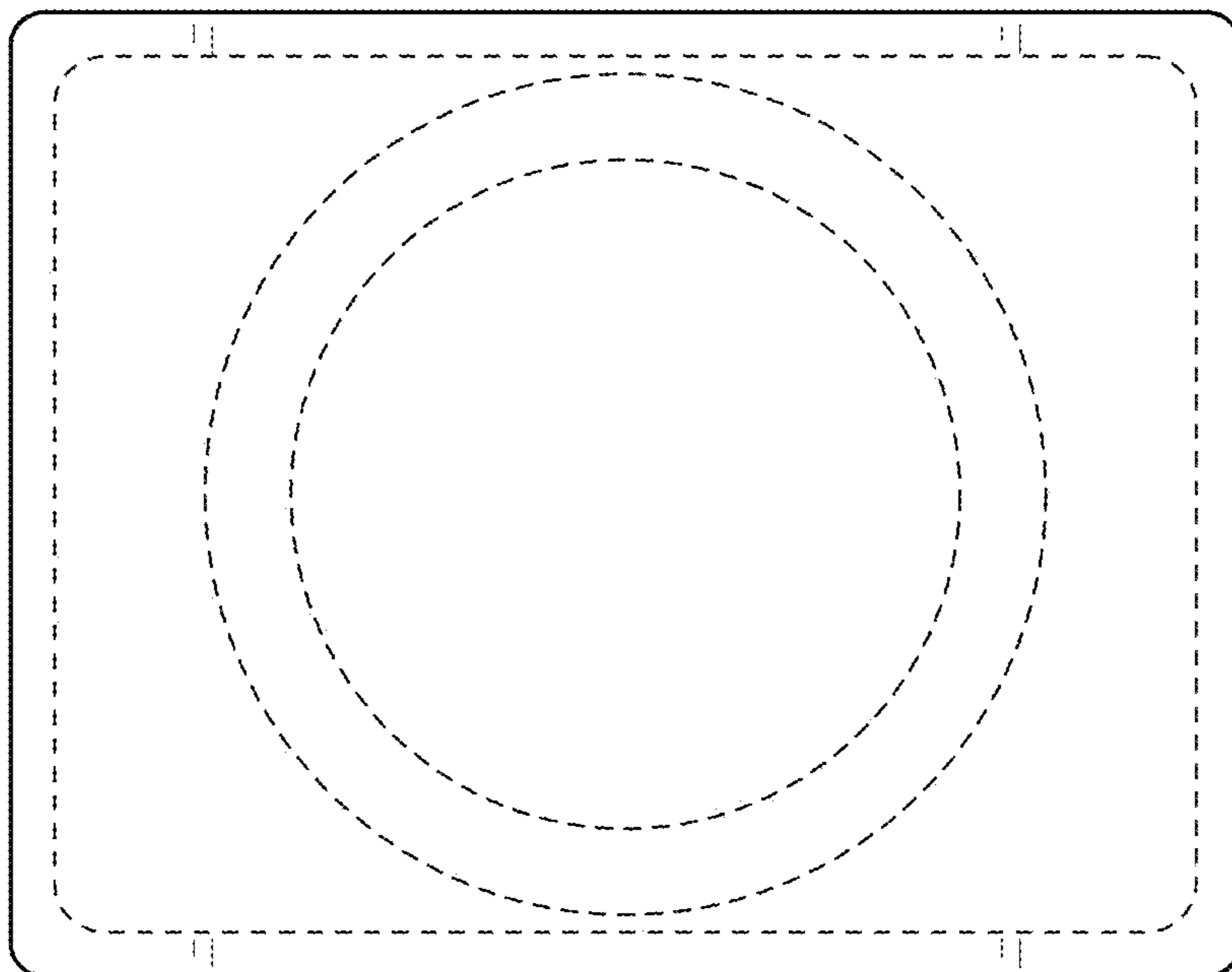


FIG. 7