



US00D915556S

(12) **United States Design Patent**
Hilburn et al.

(10) **Patent No.:** **US D915,556 S**

(45) **Date of Patent:** **** Apr. 6, 2021**

(54) **TOP PLATE OF A HOUSING**

(71) Applicant: **KANA ENERGY SERVICES, INC.**,
Houston, TX (US)

(72) Inventors: **Lendon Paul Hilburn**, Spring, TX
(US); **Michael E. Hayes**, Houston, TX
(US); **Guiming Liu**, Sugar Land, TX
(US)

(73) Assignee: **KANA ENERGY SERVICES, INC.**,
Houston, TX (US)

(**) Term: **15 Years**

(21) Appl. No.: **29/645,391**

(22) Filed: **Apr. 25, 2018**

(51) **LOC (13) Cl.** **23-01**

(52) **U.S. Cl.**
USPC **D23/249; D15/143**

(58) **Field of Classification Search**
USPC D13/147, 148, 158, 184; D15/122, 132,
D15/131, 138-142, 143, 148; D23/233
(Continued)

(56) **References Cited**

U.S. PATENT DOCUMENTS

D629,871 S * 12/2010 Marinoni D23/249
D629,872 S * 12/2010 Marinoni D23/249
(Continued)

FOREIGN PATENT DOCUMENTS

CN 2011-F00184 * 2/2010

OTHER PUBLICATIONS

KANA Brochure, BOP Figures, posted on kanaenergy.com, no posted date given, no production date given, [online], [site visited Mar. 15, 2020], Available from Internet, URL: <https://drive.google.com/file/d/0Bx6bSJzb101oT0xiRWFsLVJMU0k/view> (Year: 2020).*

Primary Examiner — Michael C Stout
Assistant Examiner — Fritzgerald L Butac

(74) *Attorney, Agent, or Firm* — Rao DeBoer Osterrieder,
PLLC; Dileep P. Rao

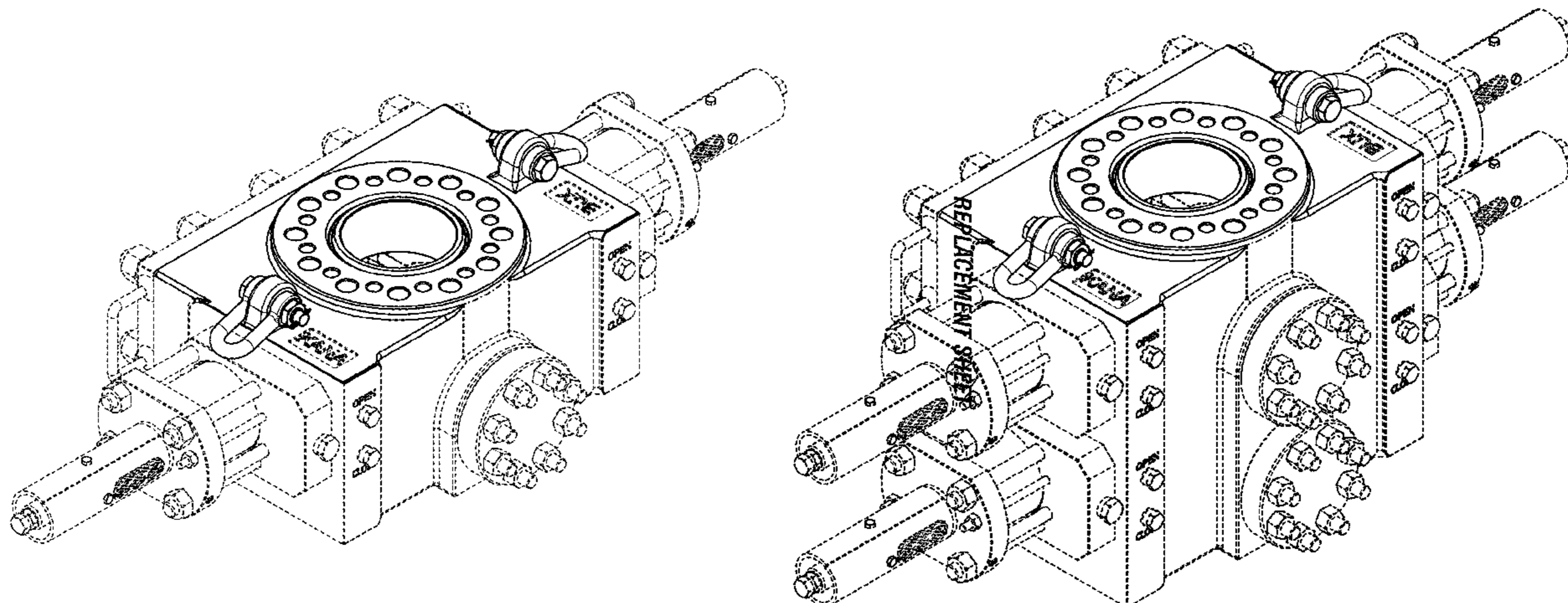
(57) **CLAIM**

The ornamental design for a top plate of a housing, as shown and described.

DESCRIPTION

FIG. 1 is a perspective view of a single ram embodiment of the ornamental design for a top plate of a housing. FIG. 2 is a side view of a single ram embodiment of the ornamental design for a top plate of a housing. FIG. 3 is a side view of a single ram embodiment of the ornamental design for a top plate of a housing. FIG. 4 is a side view of a single ram embodiment of the ornamental design for a top plate of a housing. FIG. 5 is a side view of a single ram embodiment of the ornamental design for a top plate of a housing. FIG. 6 is a top view of a single ram embodiment of the ornamental design for a top plate of a housing. FIG. 7 is a bottom view of a single ram embodiment of the ornamental design for a top plate of a housing. FIG. 8 is a perspective view of a single ram embodiment of the ornamental design for a top plate of a housing. FIG. 9 is a perspective view of a double ram embodiment of the ornamental design for a top plate of a housing. FIG. 10 is a side view of a double ram embodiment of the ornamental design for a top plate of a housing. FIG. 11 is a side view of a double ram embodiment of the ornamental design for a top plate of a housing. FIG. 12 is a side view of a double ram embodiment of the ornamental design for a top plate of a housing. FIG. 13 is a side view of a double ram embodiment of the ornamental design for a top plate of a housing. FIG. 14 is a top view of a double ram embodiment of the ornamental design for a top plate of a housing. FIG. 15 is a bottom view of a double ram embodiment of the ornamental design for a top plate of a housing; and, FIG. 16 is a perspective view of a double ram embodiment of the ornamental design for a top plate of a housing.

(Continued)



The broken lines show portions of a top plate of a housing and of a housing to which it is attached which form no part of the claimed design. A dash-dot broken line defines the boundary of the top plate of a housing, and areas between the dash-dot broken line and other broken lines form no part of the claimed design.

1 Claim, 8 Drawing Sheets

(58) **Field of Classification Search**

CPC E21B 33/085
See application file for complete search history.

(56) **References Cited**

U.S. PATENT DOCUMENTS

D644,665 S * 9/2011 Ishibashi D15/5
D645,054 S * 9/2011 Ishibashi D15/5
D735,245 S * 7/2015 Bergman D15/28
D824,973 S * 8/2018 Tabuchi D15/148
D824,974 S * 8/2018 Tabuchi D15/148
D824,975 S * 8/2018 Tabuchi D15/148
D841,705 S * 2/2019 Kobayashi D15/143
D841,706 S * 2/2019 Kobayashi D15/143
D852,247 S * 6/2019 Taylor D15/148
2014/0069531 A1* 3/2014 Jaffrey E21B 33/076
137/553
2019/0330955 A1* 10/2019 Hilburn E21B 33/062

* cited by examiner

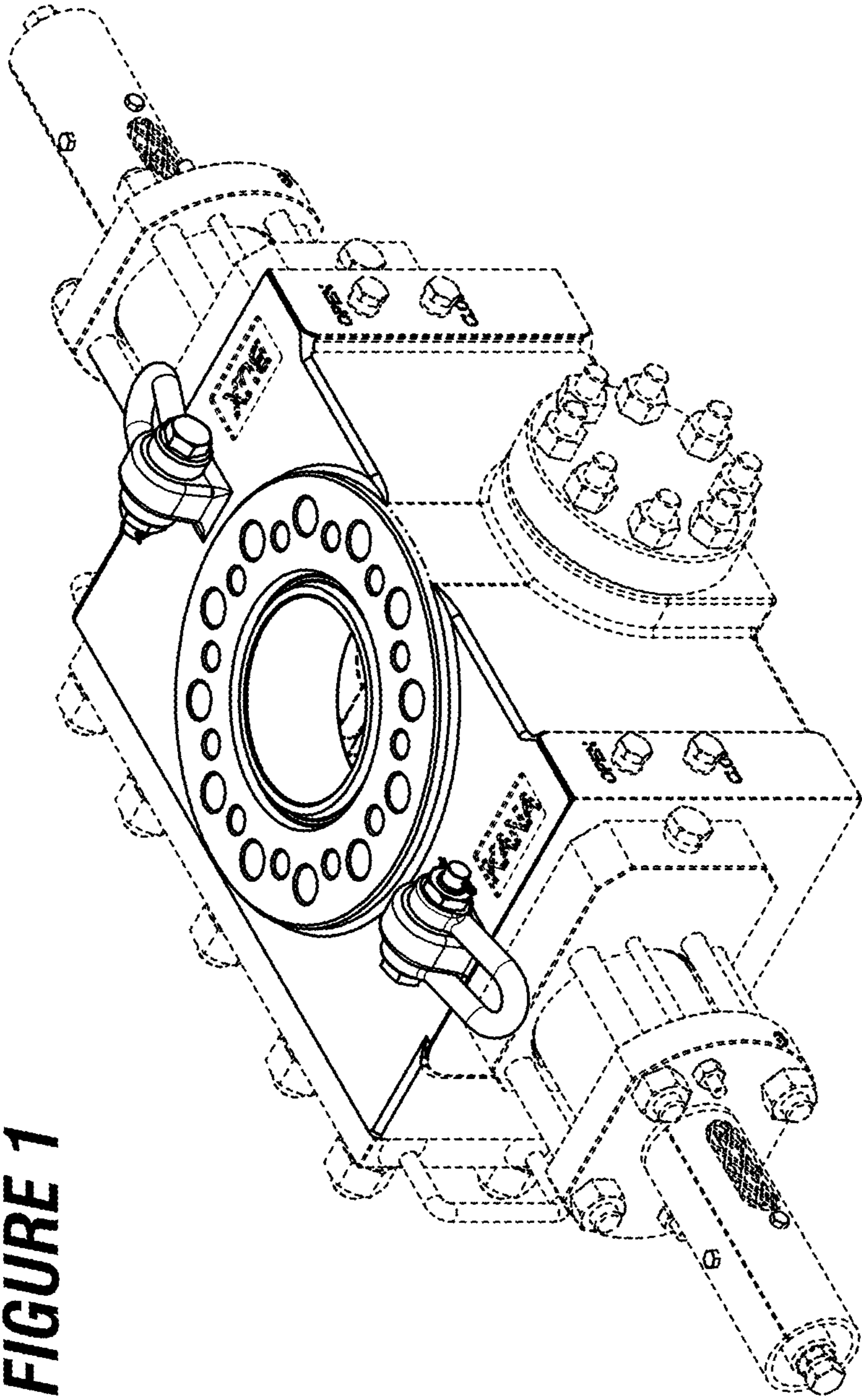


FIGURE 1

FIGURE 2

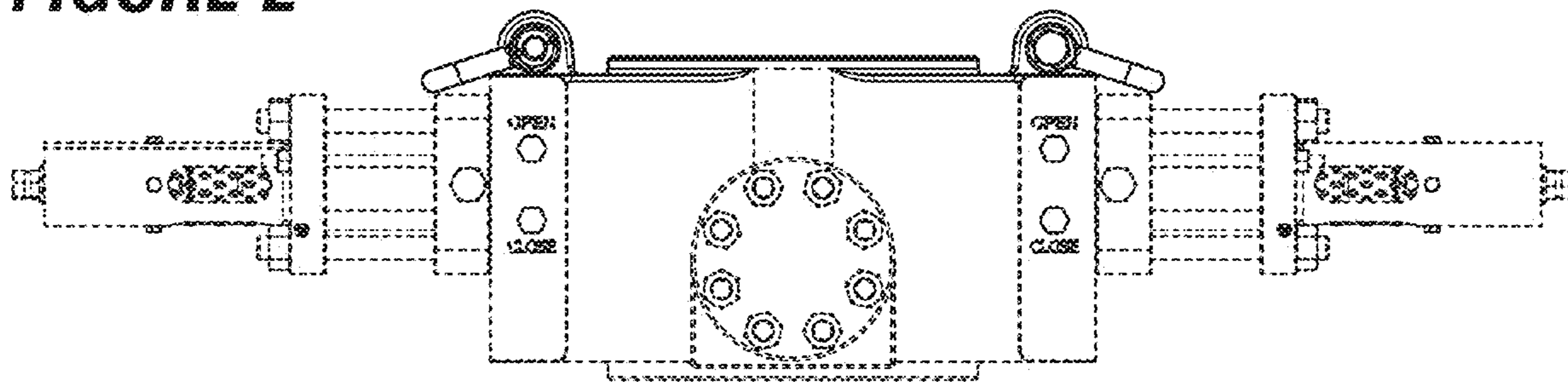


FIGURE 3

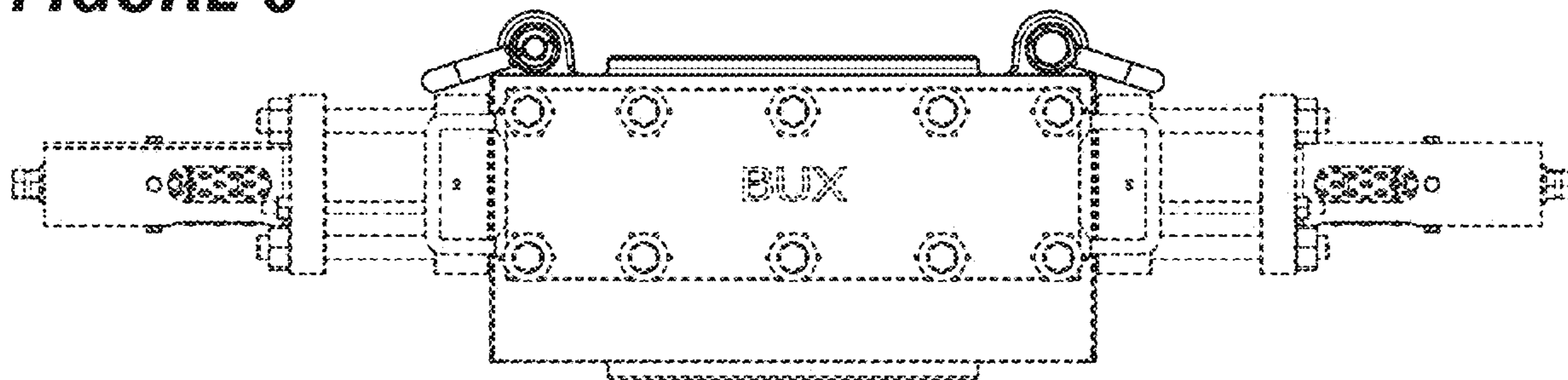


FIGURE 4

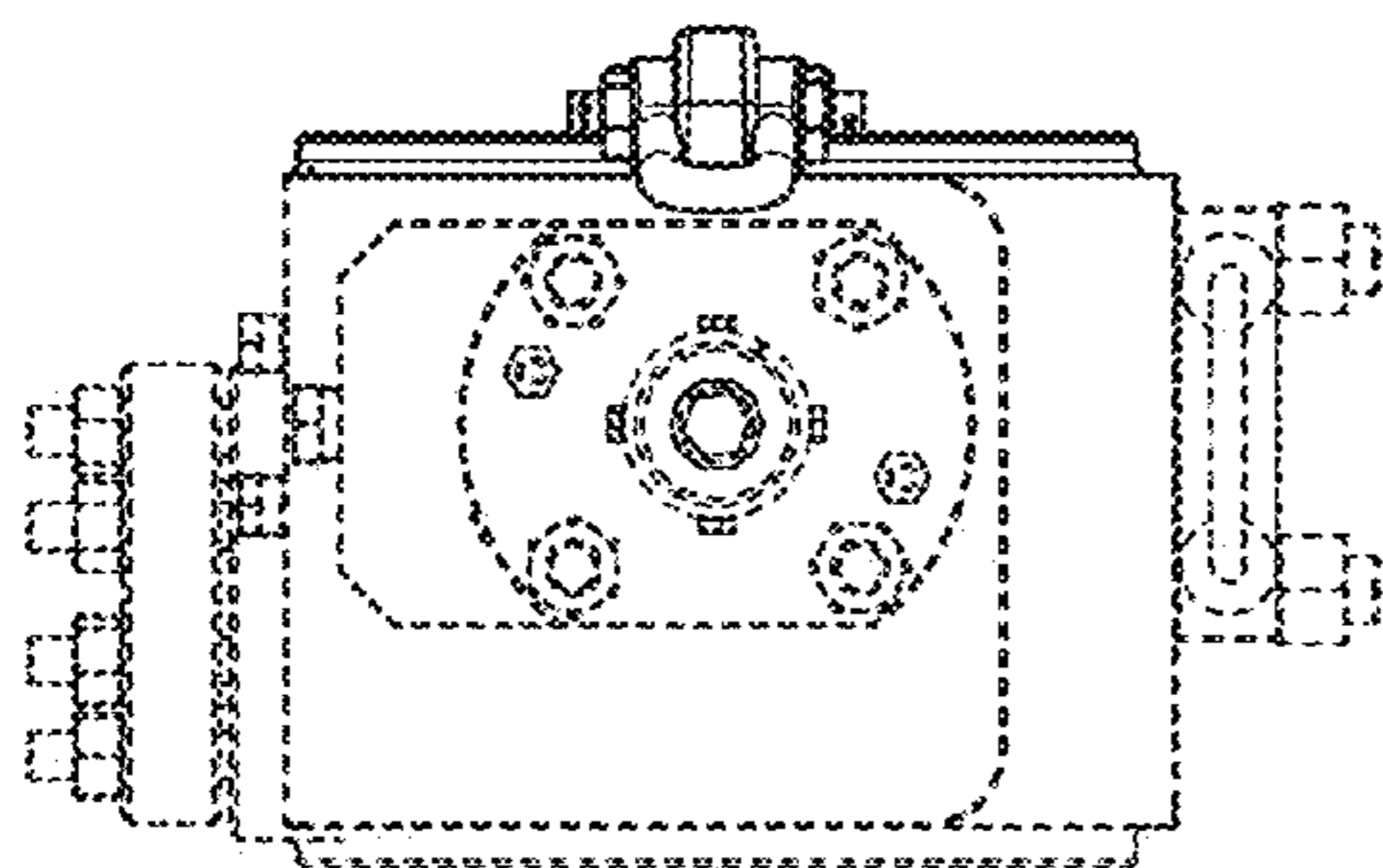
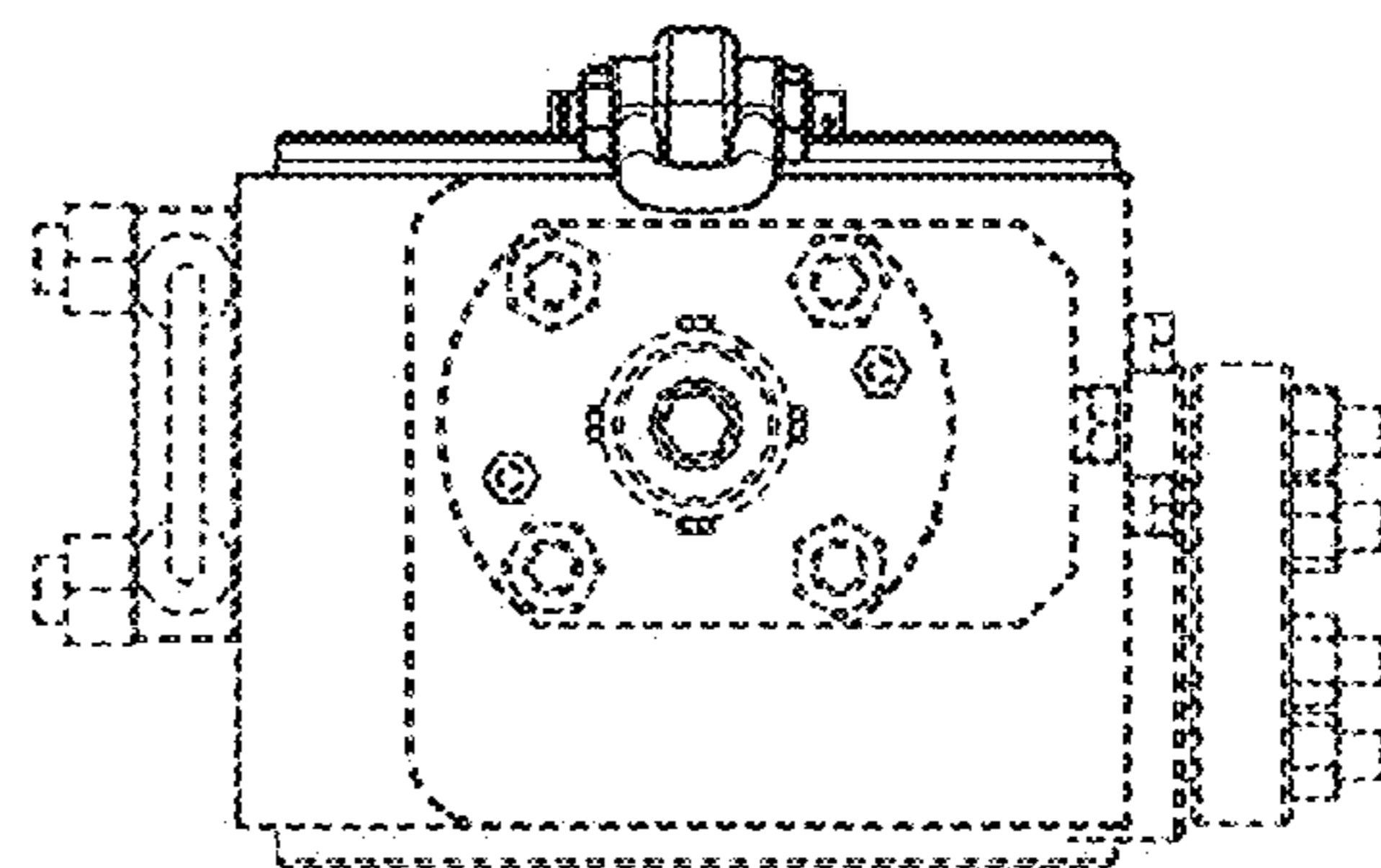


FIGURE 5



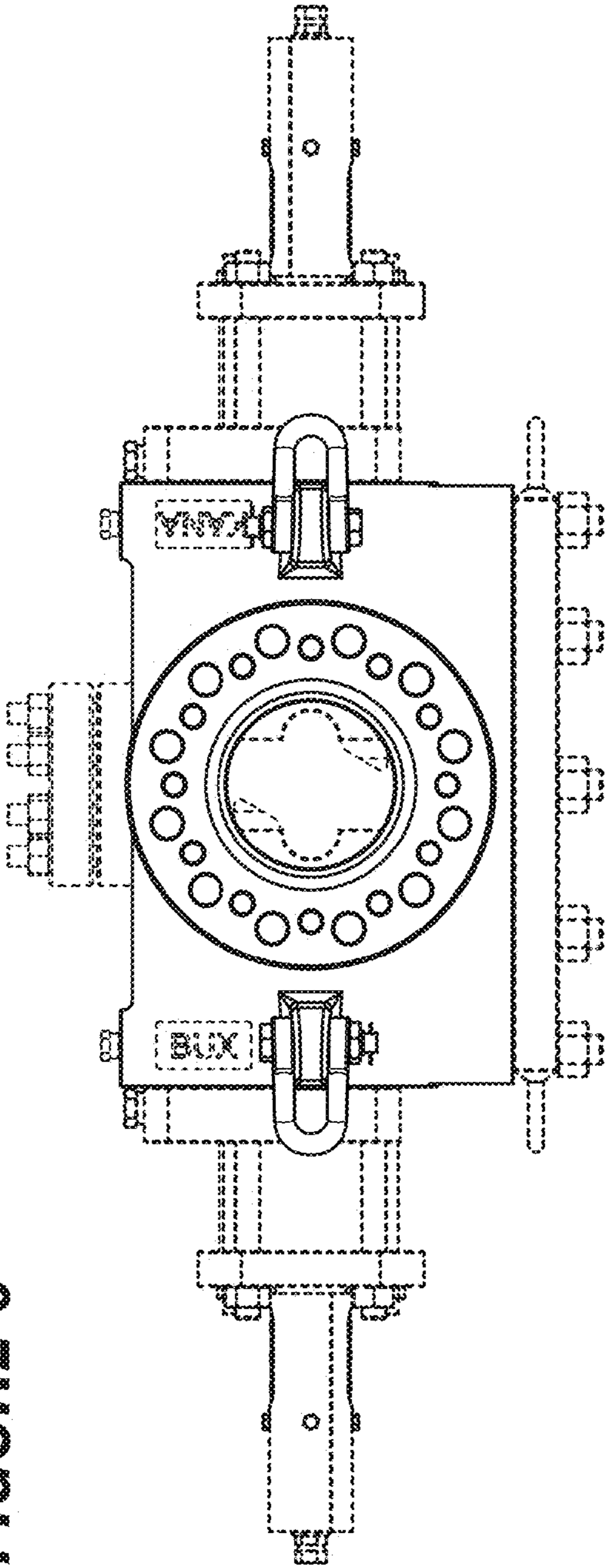


FIGURE 6

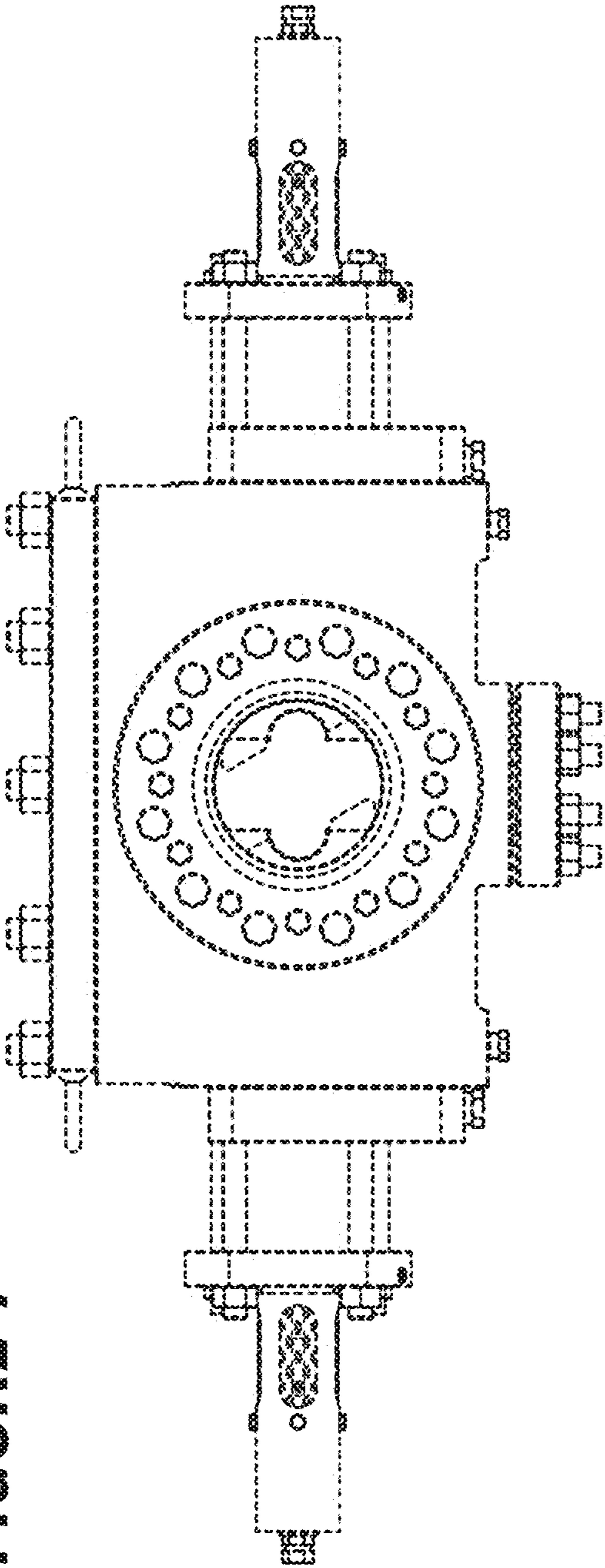


FIGURE 7

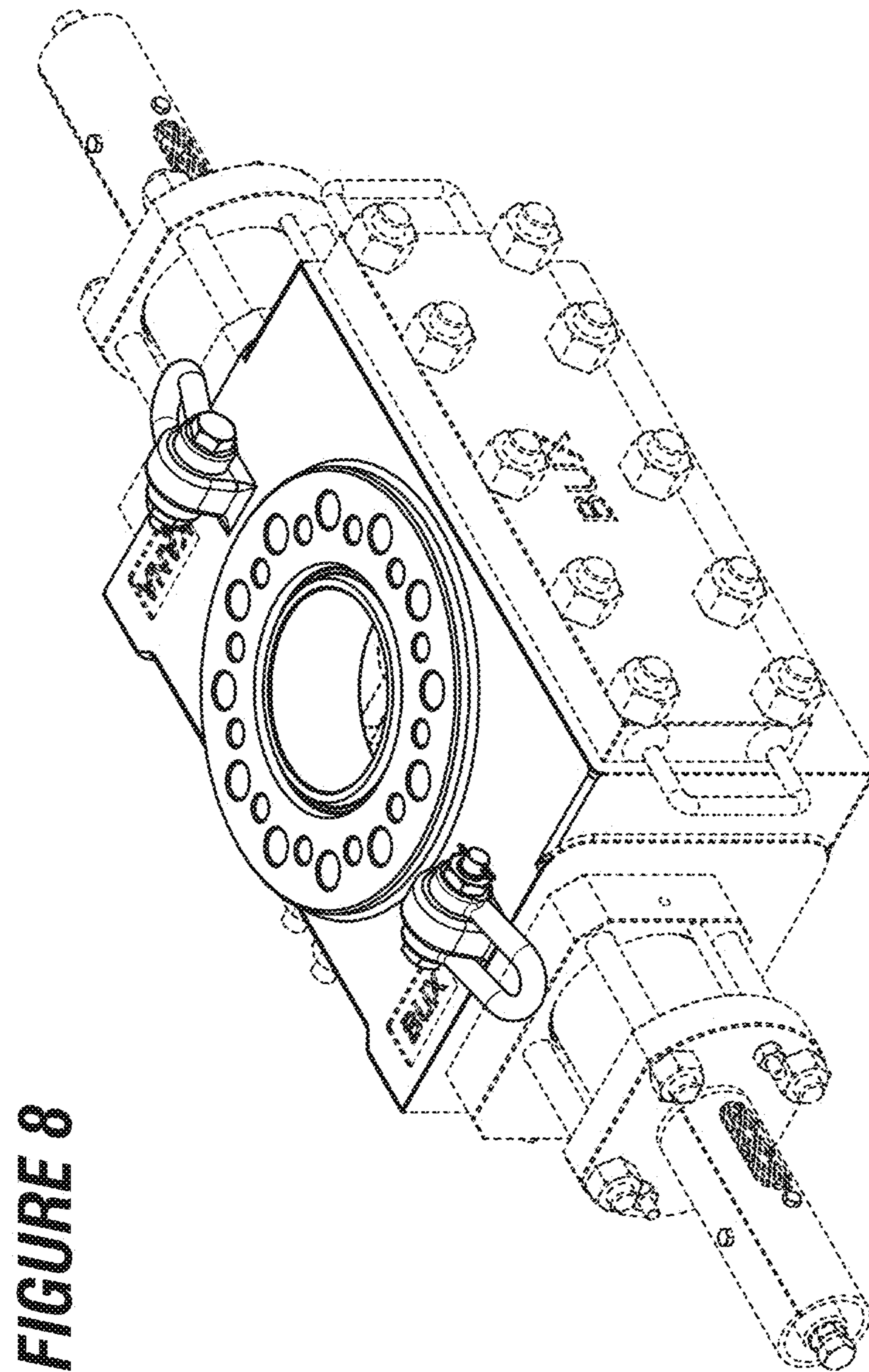
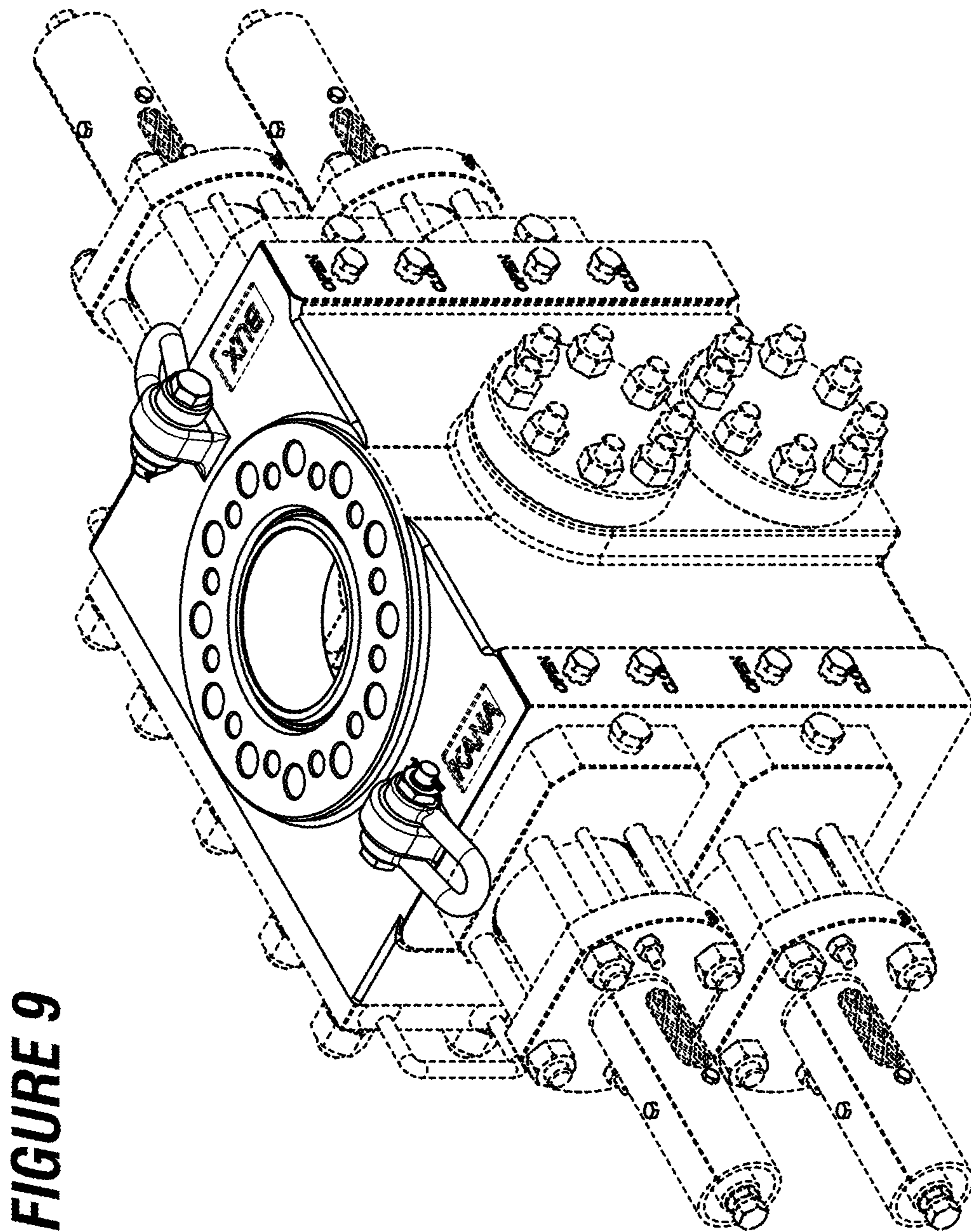


FIGURE 8



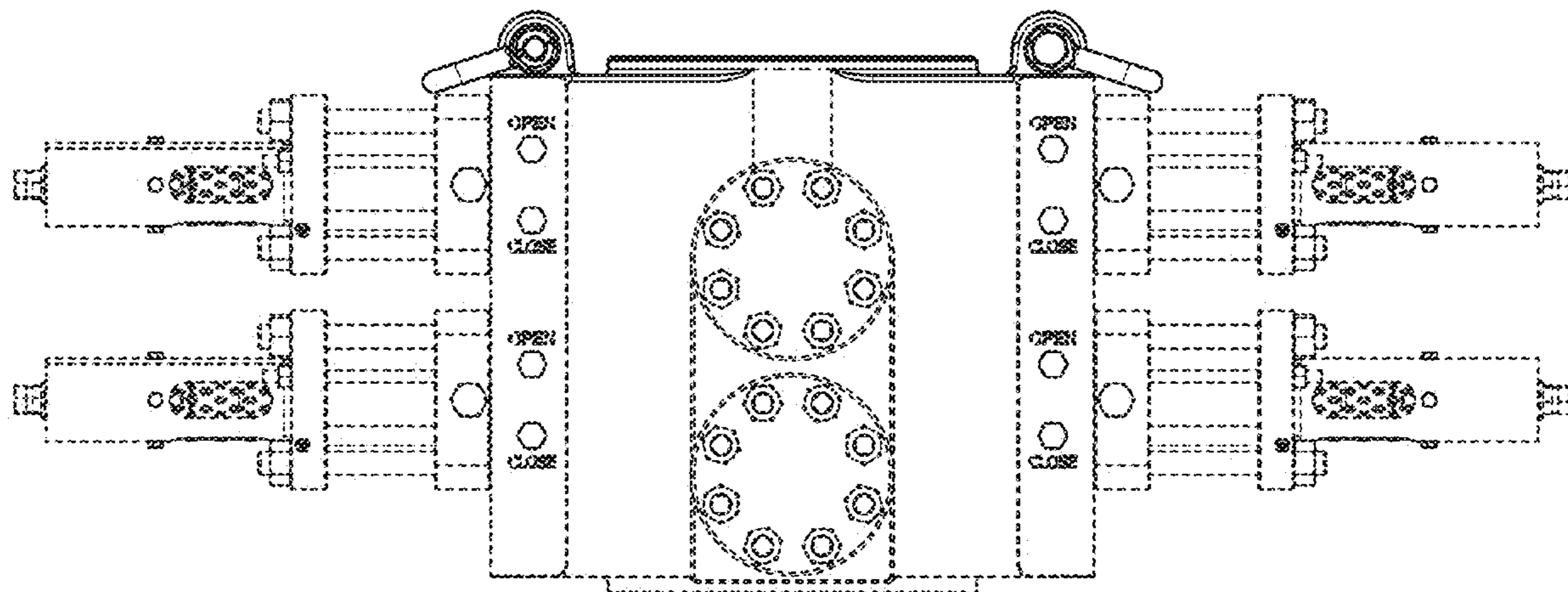


FIGURE 10

FIGURE 11

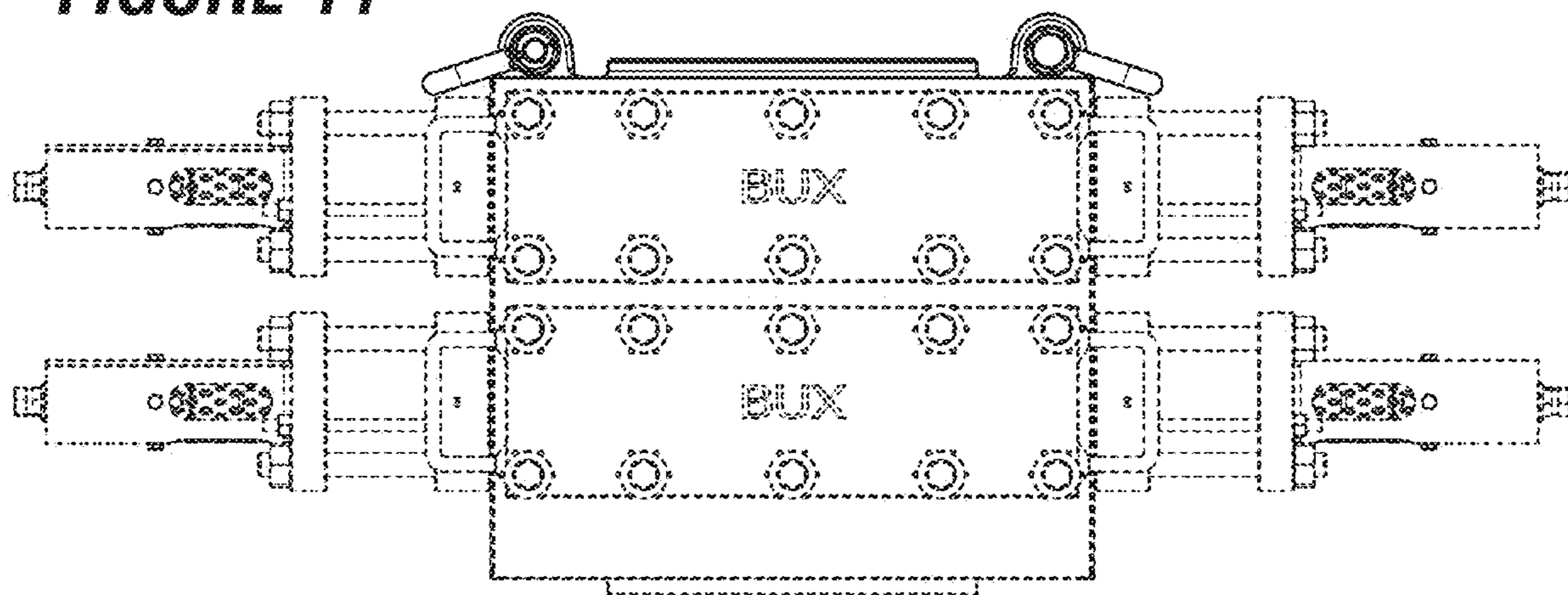
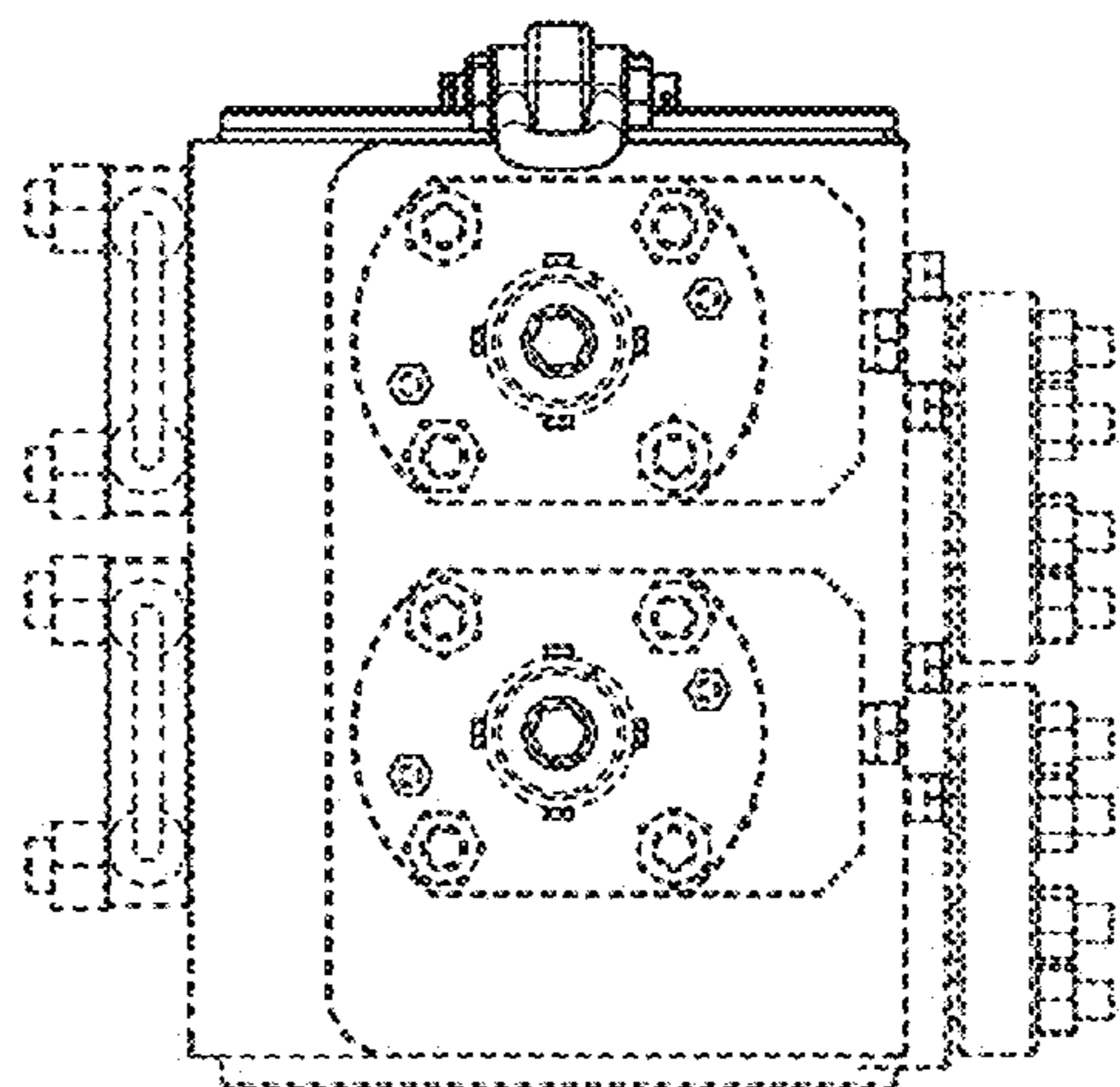
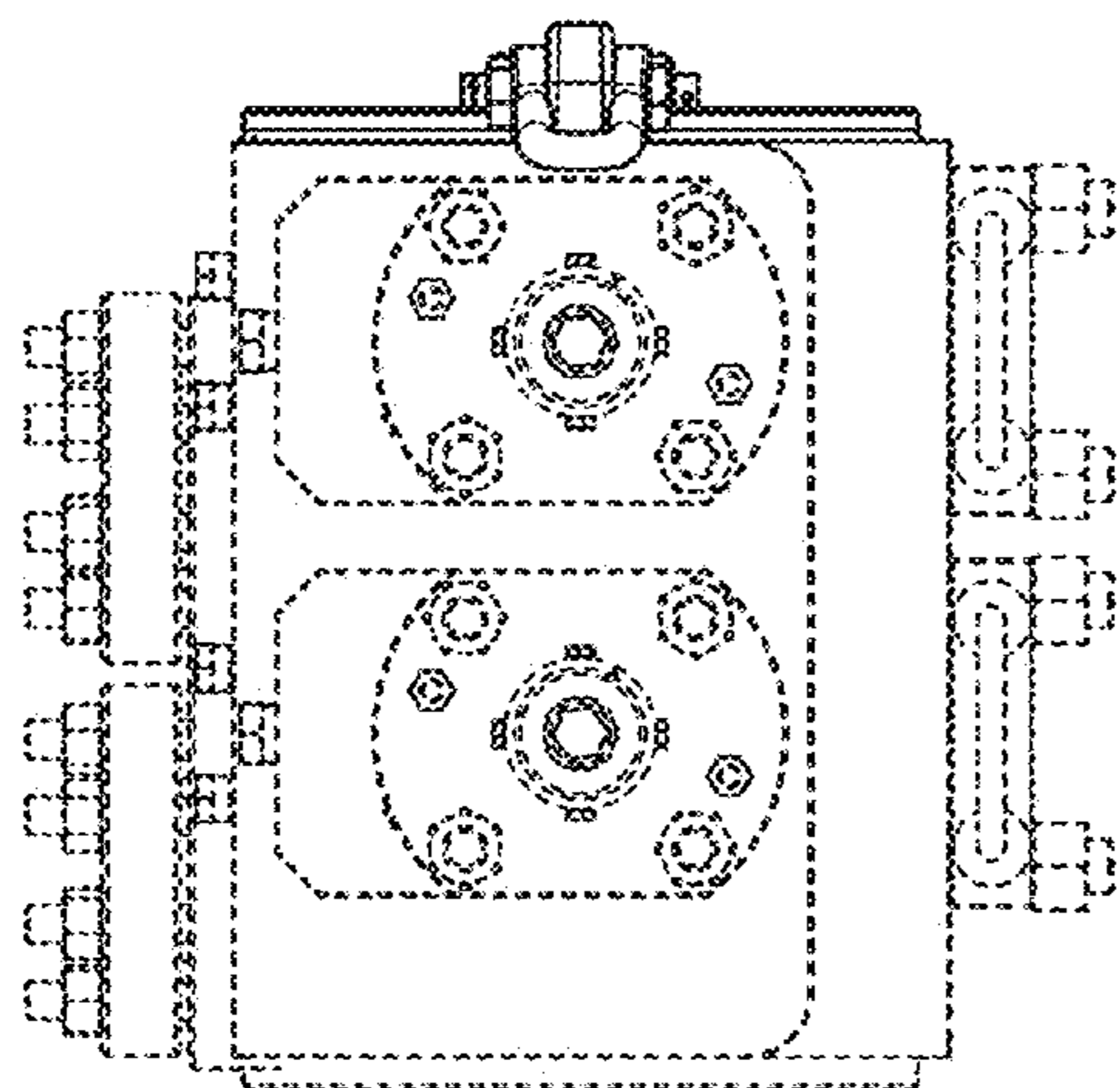


FIGURE 12

FIGURE 13



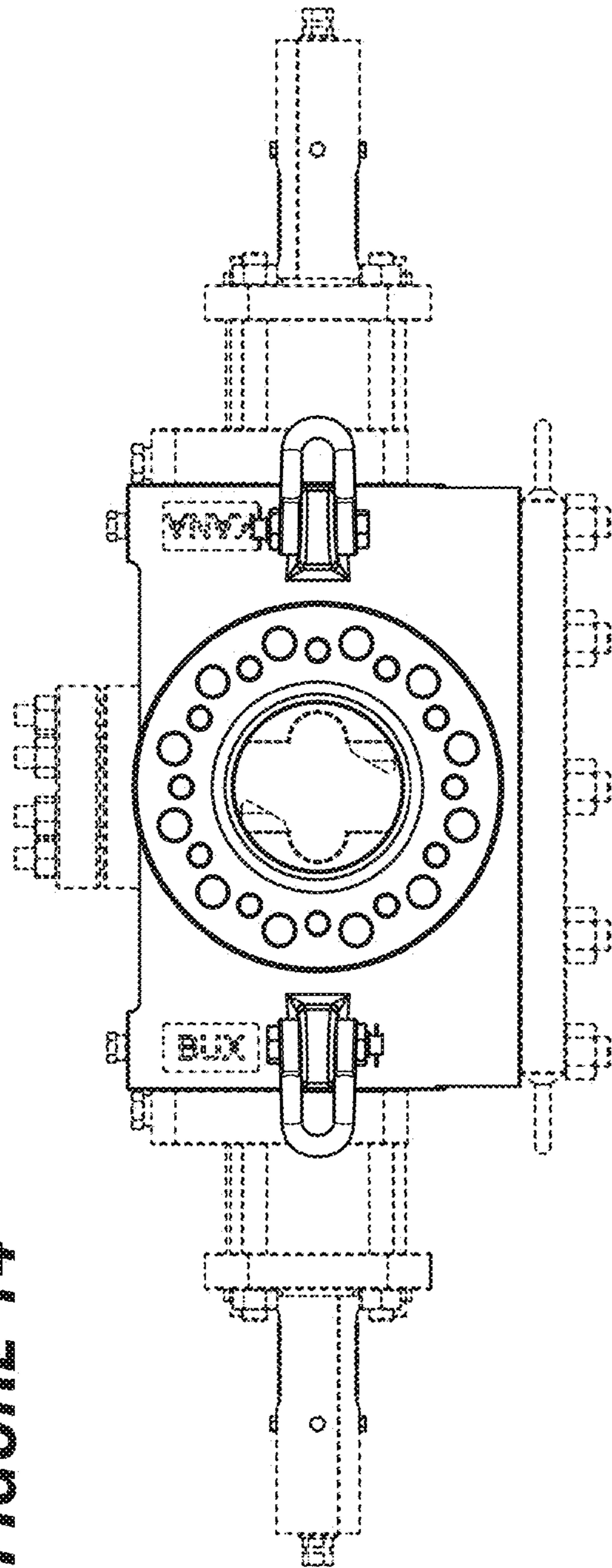


FIGURE 14

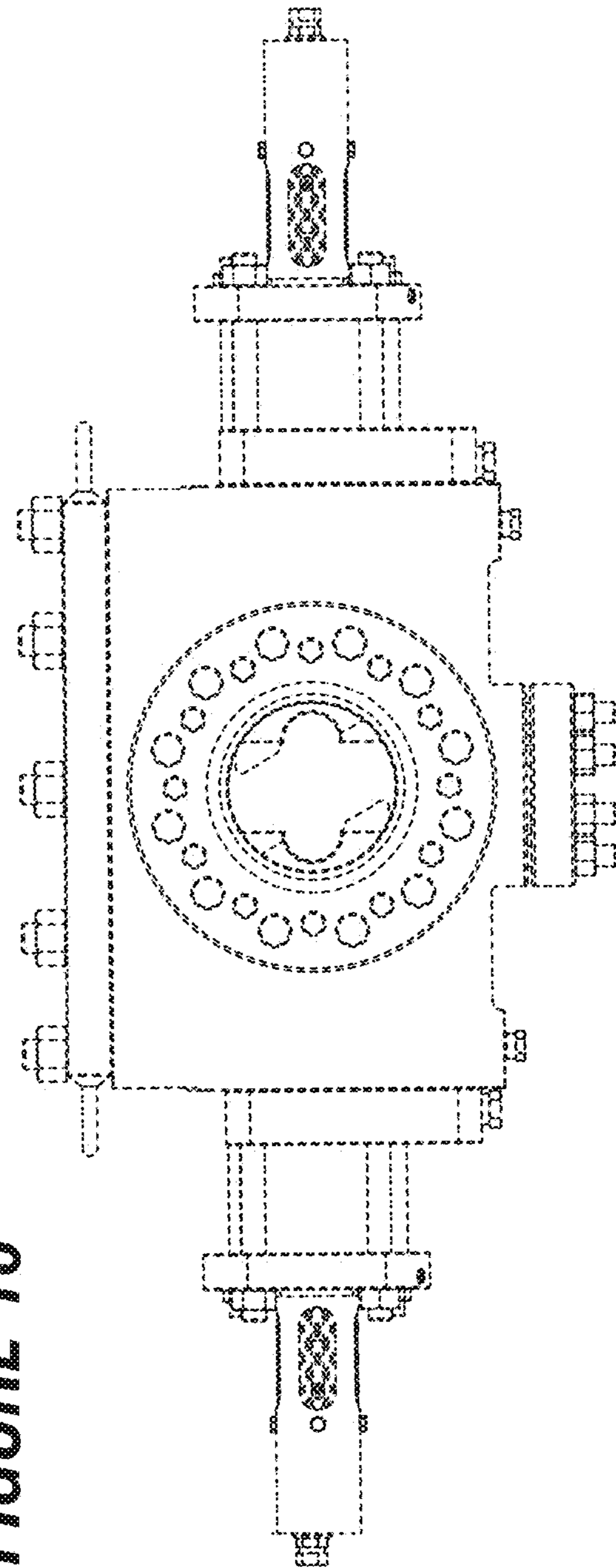


FIGURE 15

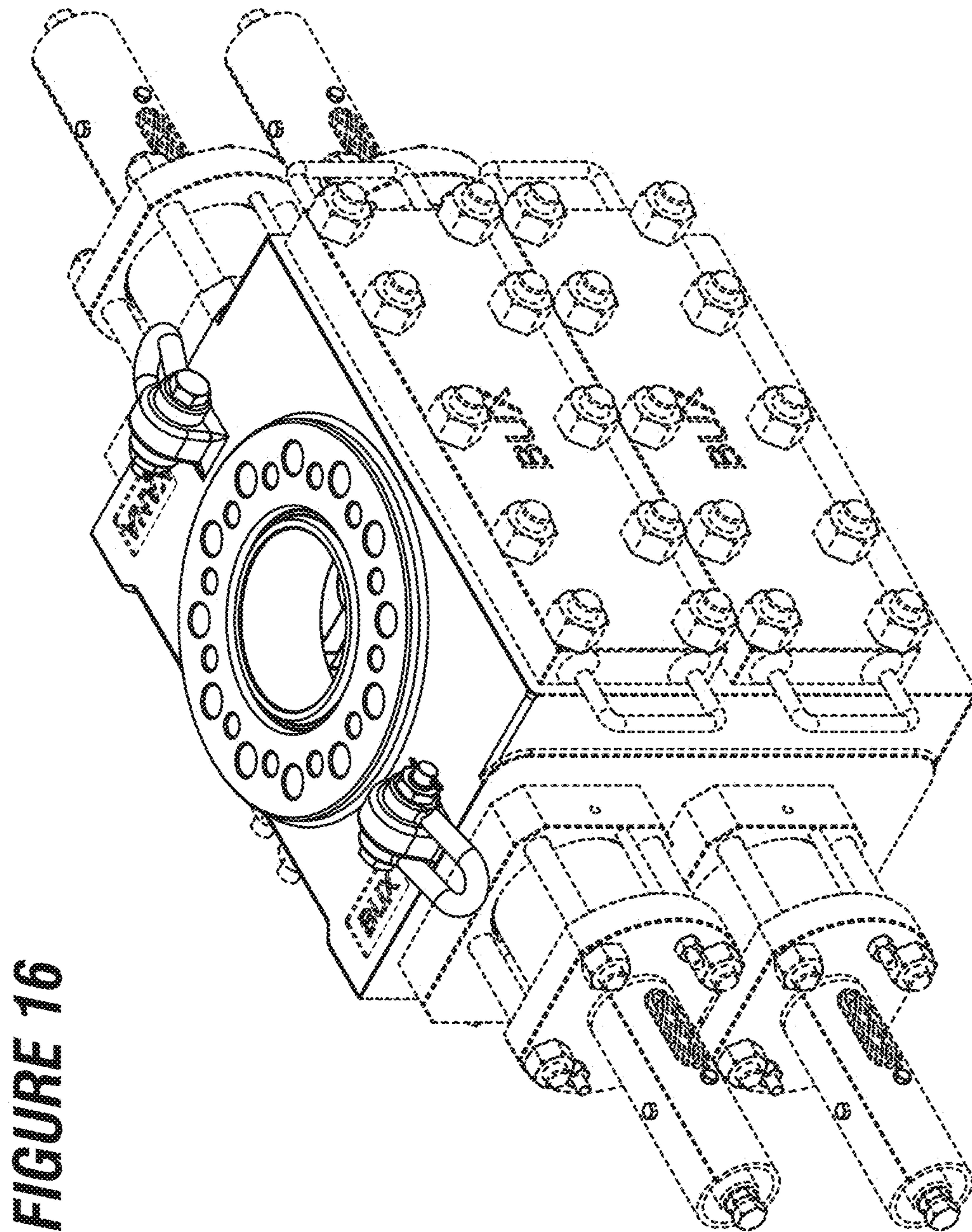


FIGURE 16