



US00D91555S

(12) **United States Design Patent** (10) **Patent No.:** **US D915,555 S**
Lin (45) **Date of Patent:** **** Apr. 6, 2021**

(54) **FAUCET**

OTHER PUBLICATIONS

(71) Applicant: **Wen-Tsung Lin**, Changhua County (TW)
(72) Inventor: **Wen-Tsung Lin**, Changhua County (TW)
(73) Assignee: **HSUE SAM ENTERPRISE CO., LTD.**, Changhua County (TW)
(**) Term: **15 Years**
(21) Appl. No.: **29/686,510**
(22) Filed: **Apr. 4, 2019**
(51) **LOC (13) Cl.** **23-01**
(52) **U.S. Cl.**
USPC **D23/242**
(58) **Field of Classification Search**
USPC D23/238-244, 252, 254, 255, 257;
D8/307-308
CPC F16K 31/602; F16K 31/605; F16K 31/607;
E03C 1/0412
See application file for complete search history.

Square Shaped Faucet, announced Date unavailable [online], [site visited Aug. 5, 2020]. Available from internet, URL:<https://www.faucetsinhome.com/modern-square-shaped-waterfall-single-handle-bathroom-faucet-p-506.html> (Year: 2020).*
Time Square Faucet, announced Date unavailable[online], [site visited Aug. 5, 2020]. Available from internet, URL:<https://www.americanstandard-us.com/bathroom/bathroom-sink-faucets/times-square-1-handle-monoblock-faucet-23390> (Year: 2020).*
Canzak Faucet, announced Aug. 27, 2017[online], [site visited Aug. 5, 2020]. Available from internet, URL:<https://www.amazon.com/Canzak-Modern-Single-Handle-Bathroom/dp/B07564VLMS?th=1> (Year: 2017).*

* cited by examiner

Primary Examiner — Barbara Fox
Assistant Examiner — Jamaal Rasheed

(56) **References Cited**

U.S. PATENT DOCUMENTS

D579,521 S * 10/2008 Kulig D23/238
D590,050 S * 4/2009 Miyamoto D23/255
D602,121 S * 10/2009 Yabe D23/238
D636,463 S * 4/2011 Kulig D23/238
D700,955 S * 3/2014 Schoenherr D23/238
D723,662 S * 3/2015 Downey D23/238
D767,721 S * 9/2016 Yoshioka D23/238

FOREIGN PATENT DOCUMENTS

CN 3365800 * 10/2003
CN 3545751 * 8/2005
CN 301465877 * 9/2010

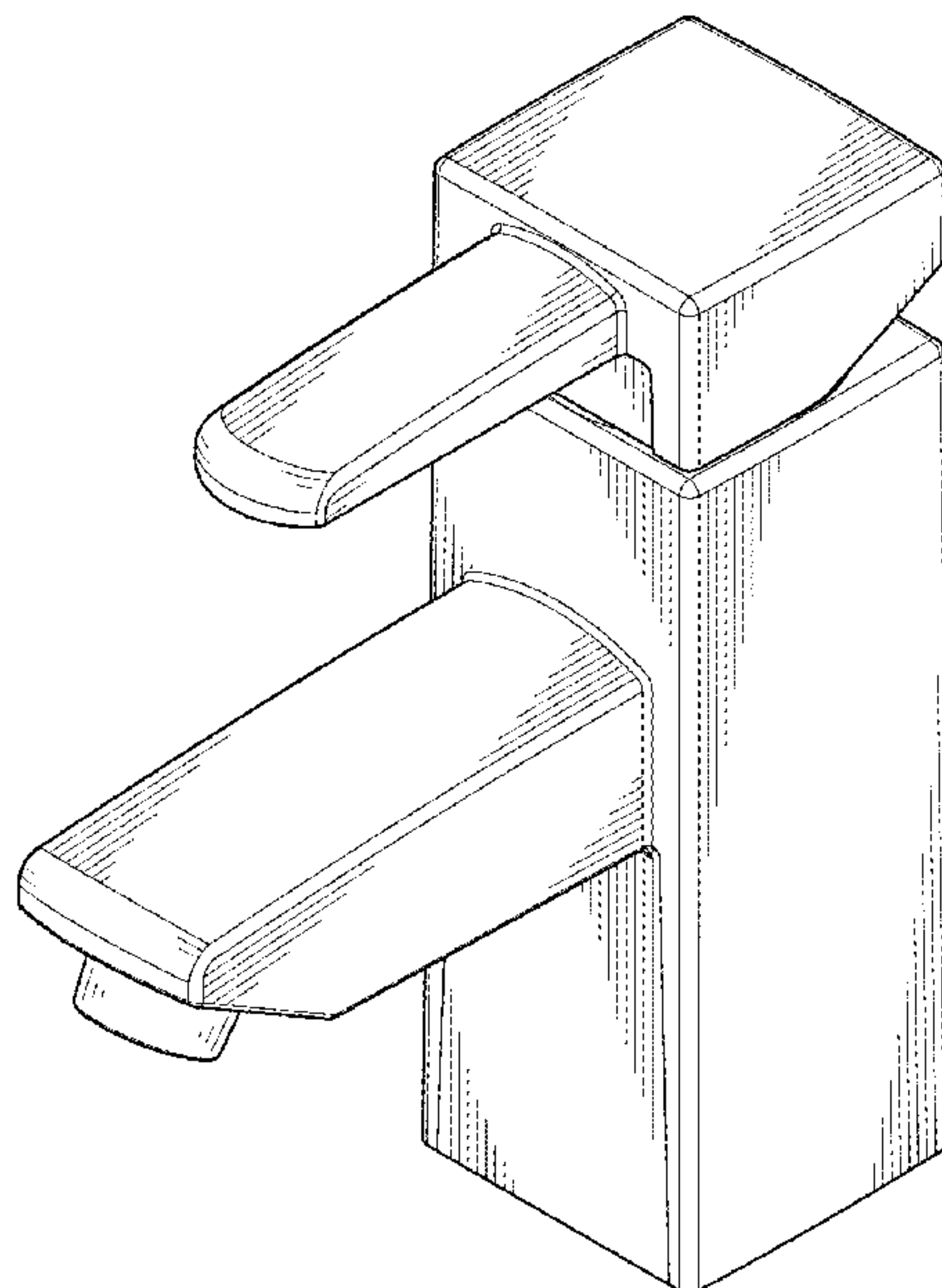
(57) **CLAIM**

The ornamental design for a faucet, as shown and described.

DESCRIPTION

FIG. 1 is a perspective view of a faucet showing my new design;
FIG. 2 is a front elevational view thereof;
FIG. 3 is a rear elevational view thereof;
FIG. 4 is a left side elevational view thereof;
FIG. 5 is a right side elevational view thereof;
FIG. 6 is a top plan view thereof;
FIG. 7 is a bottom plan view thereof; and,
FIG. 8 is another perspective schematic view of a faucet showing my design.
The broken lines depict portions of the Faucet that form no part of the claimed design.

1 Claim, 6 Drawing Sheets



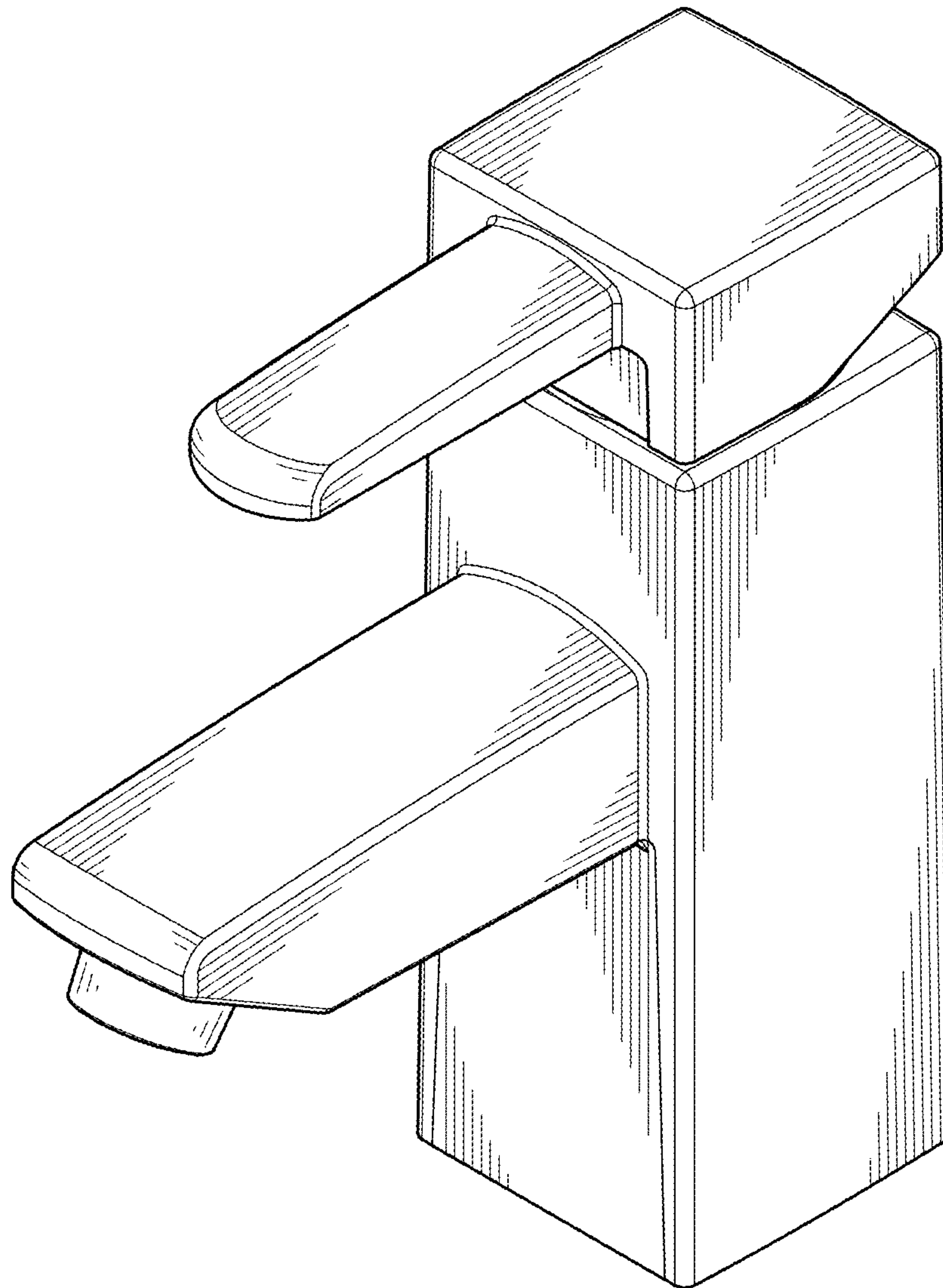


FIG.1

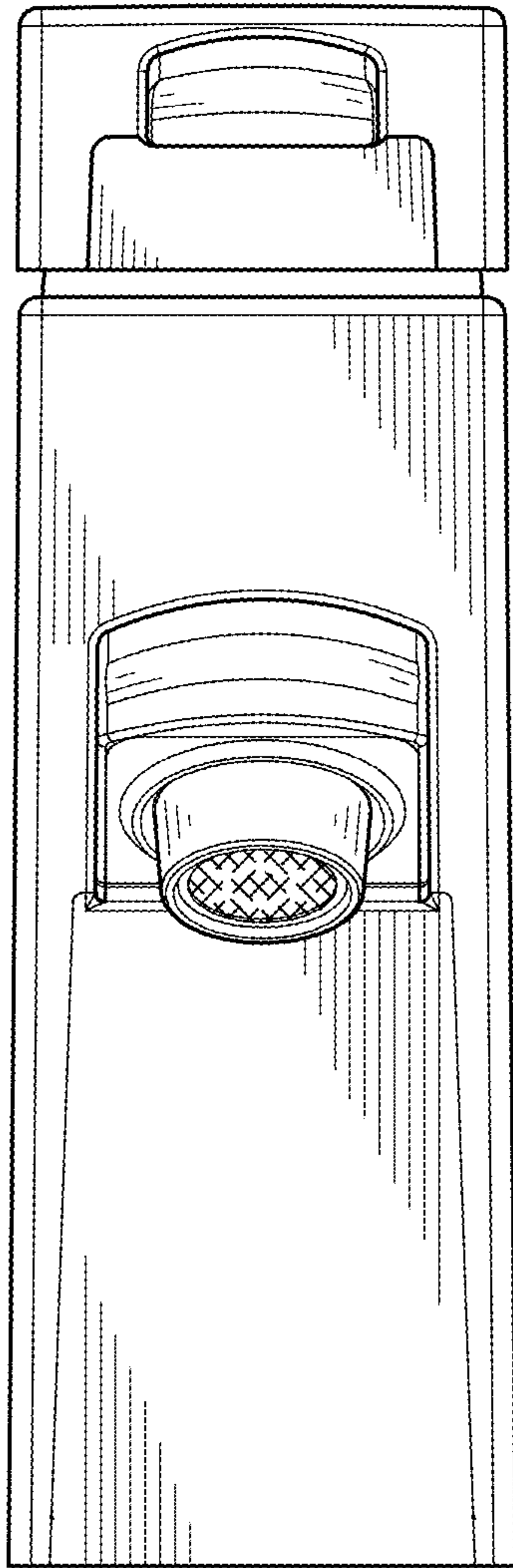


FIG. 2

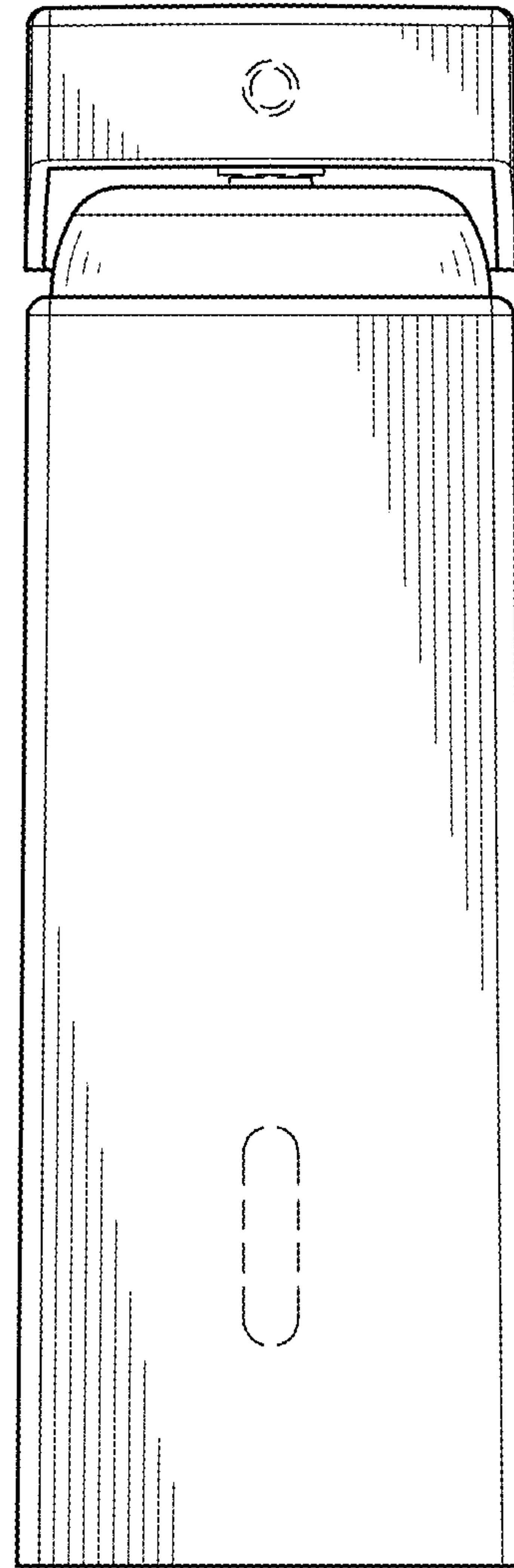


FIG. 3

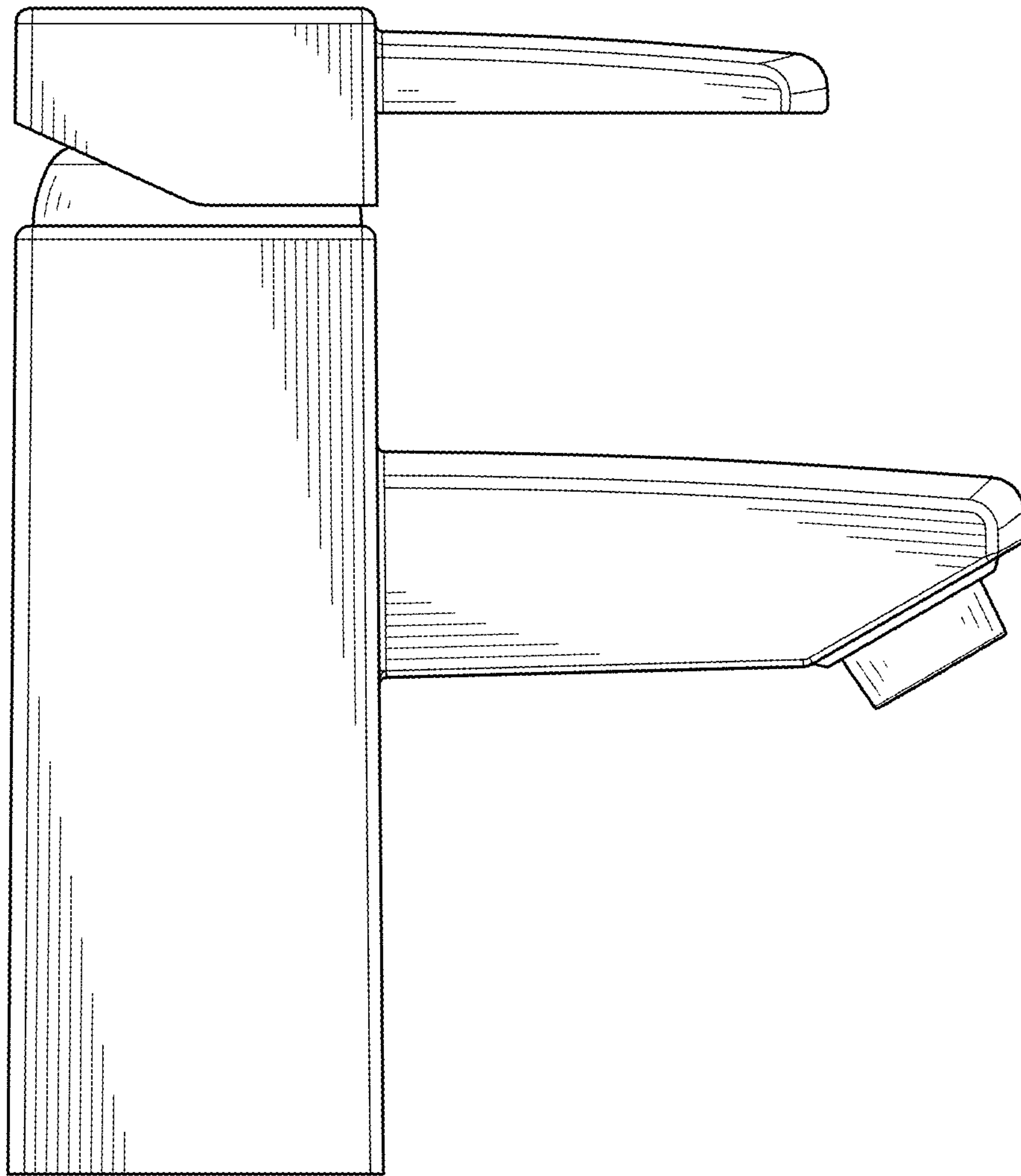


FIG.4

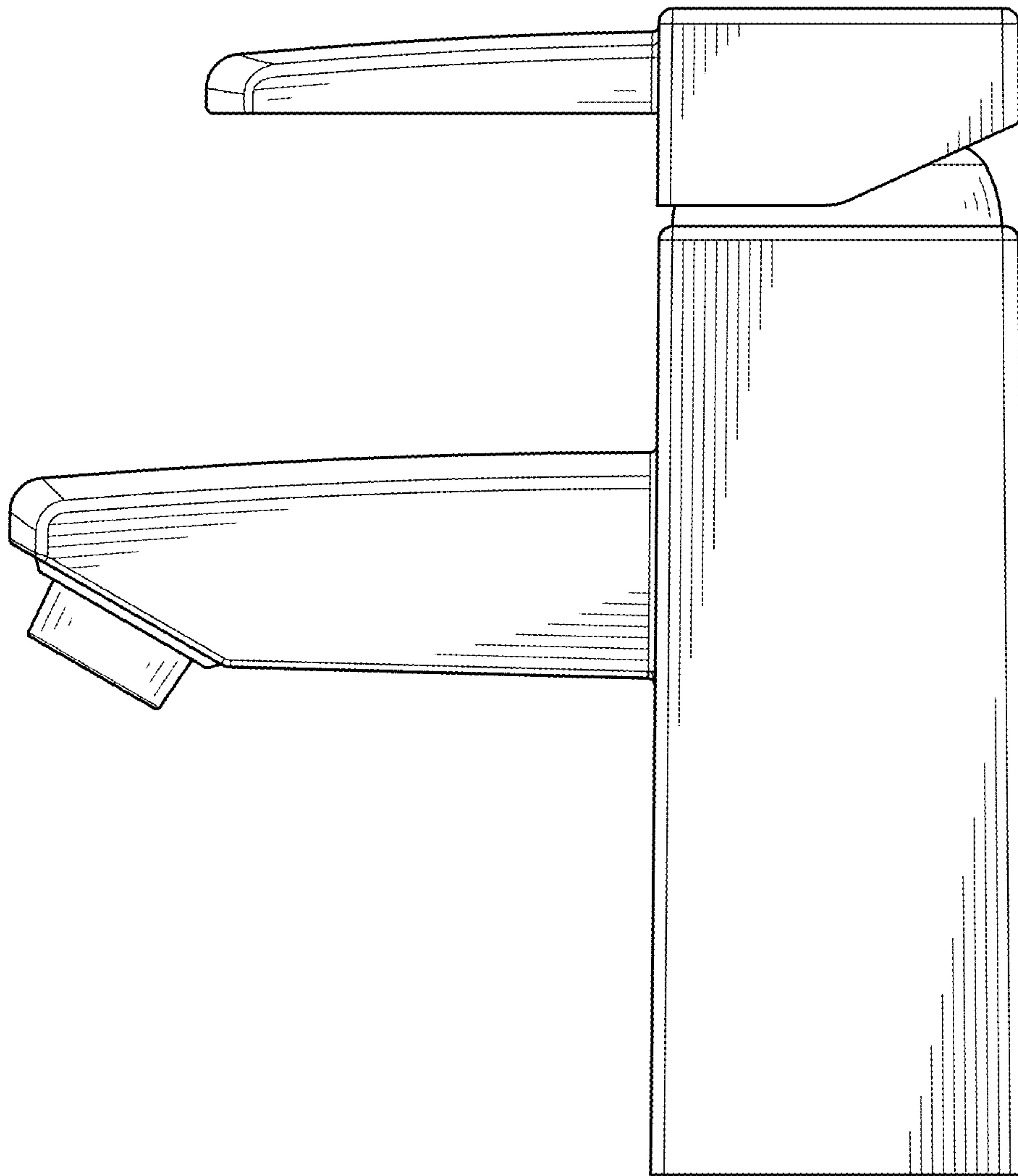


FIG.5

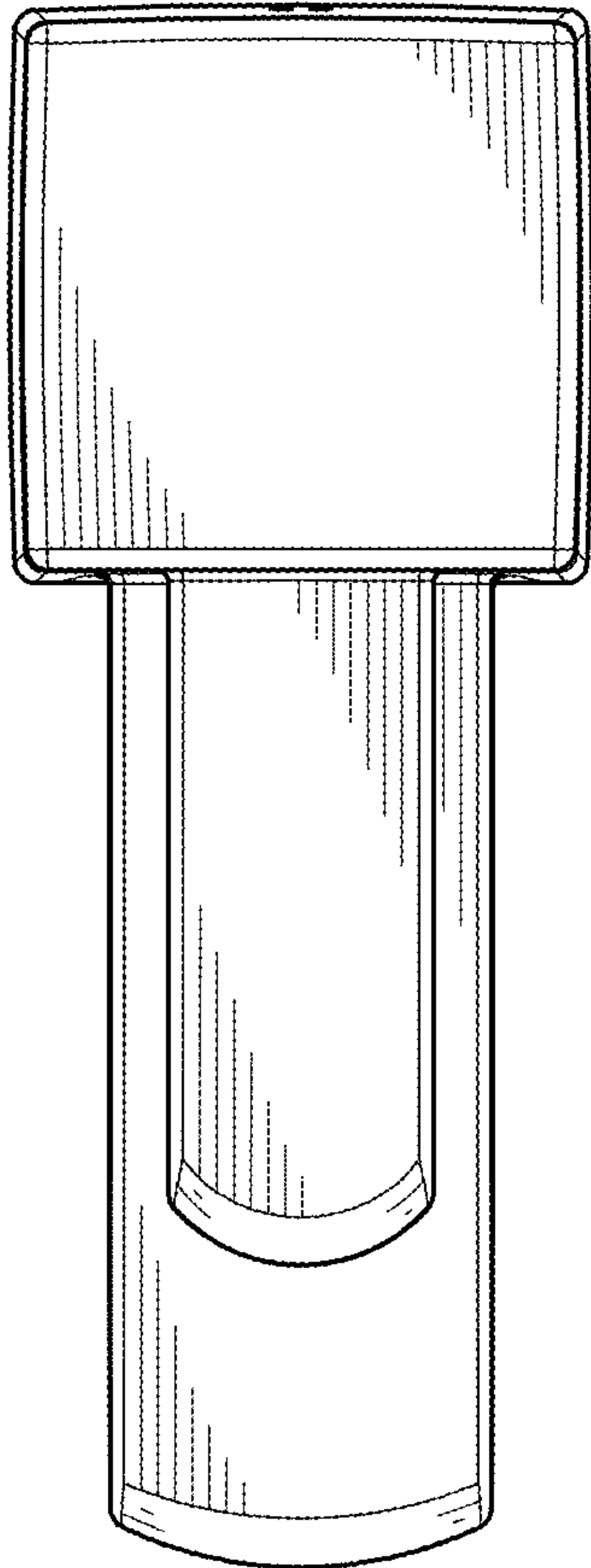


FIG. 6

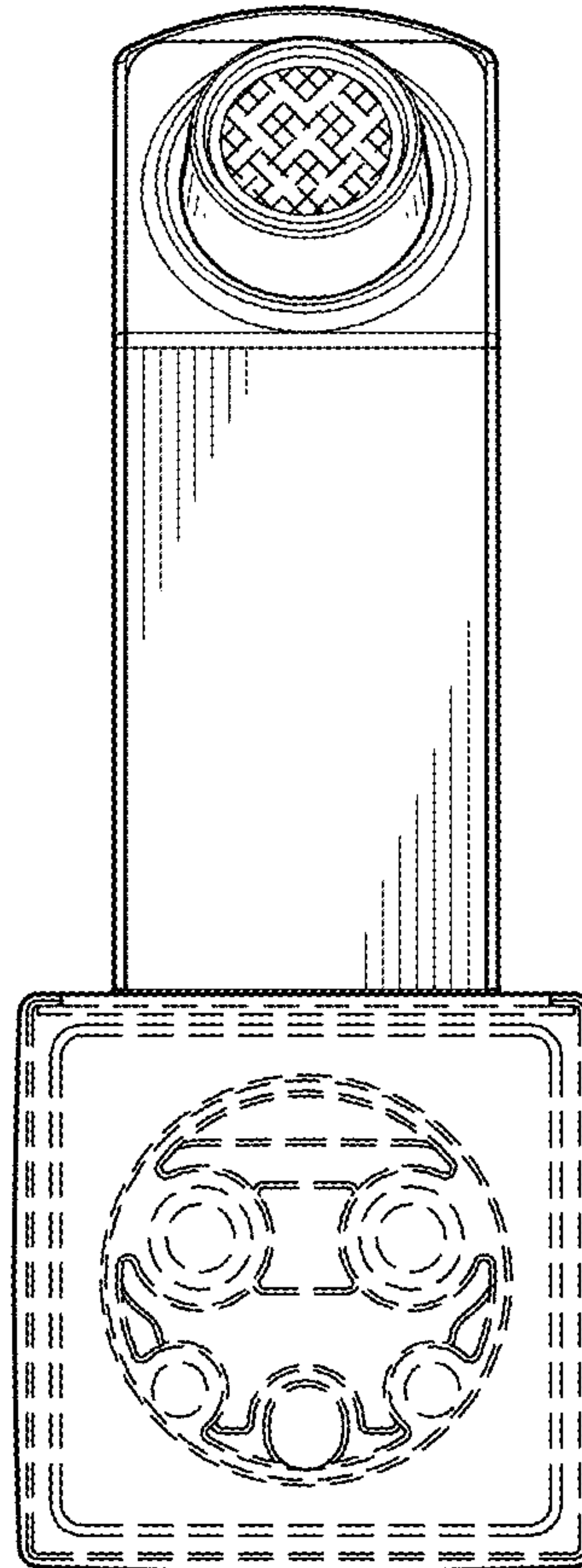


FIG. 7

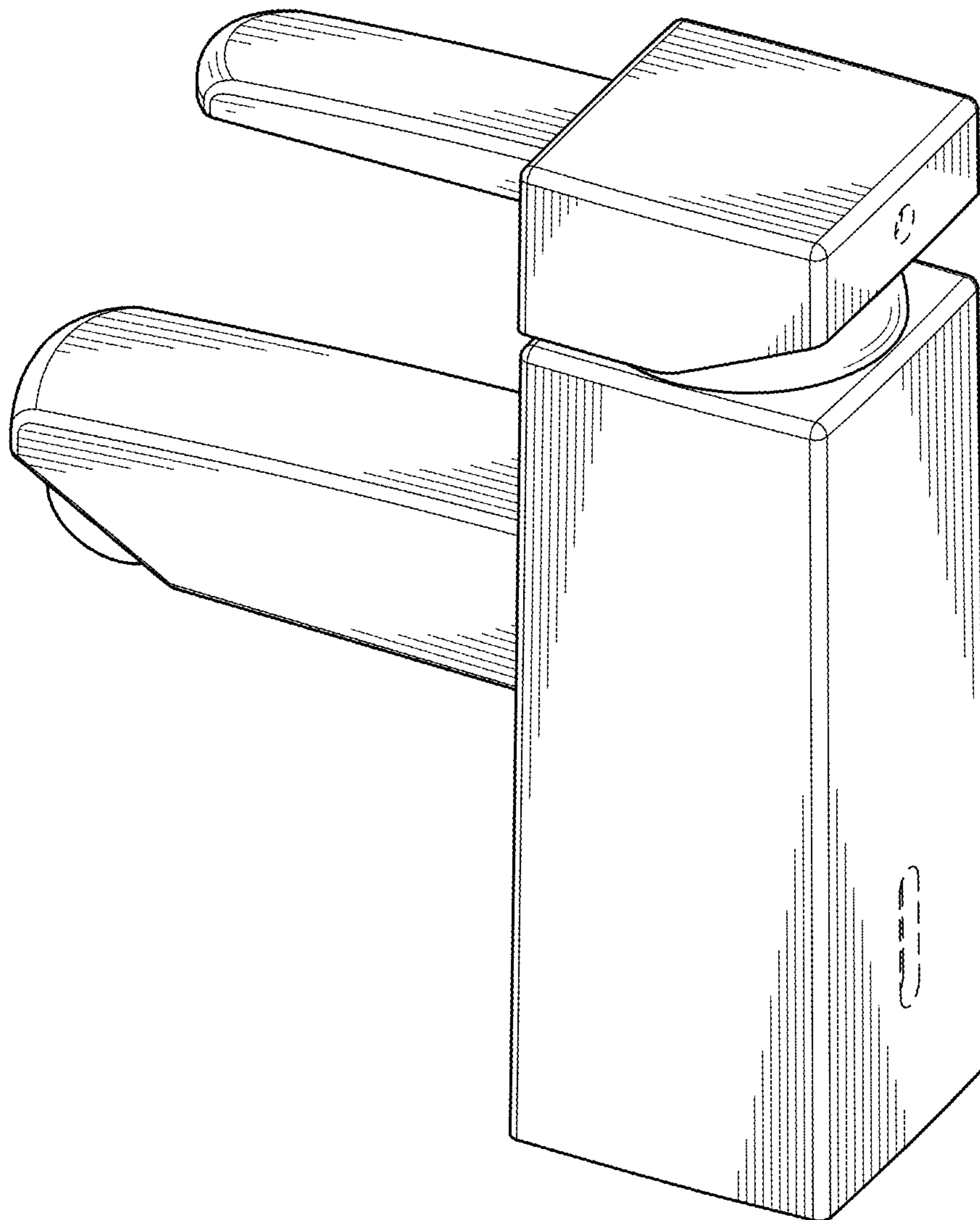


FIG. 8