

US00D915553S

(12) **United States Design Patent**
Seum et al.

(10) **Patent No.:** **US D915,553 S**

(45) **Date of Patent:** **** Apr. 6, 2021**

(54) **FAUCET**

(71) Applicant: **Grohe AG**, Hemer (DE)

(72) Inventors: **Michael Seum**, Duesseldorf (DE);
Beguem Tomruk, Duesseldorf (DE)

(73) Assignee: **Grohe AG**, Hemer (DE)

(**) Term: **15 Years**

(21) Appl. No.: **29/689,092**

(22) Filed: **Apr. 26, 2019**

(30) **Foreign Application Priority Data**

Oct. 26, 2018 (EM) 005809282

(51) **LOC (13) Cl.** **23-01**

(52) **U.S. Cl.**
USPC **D23/238**

(58) **Field of Classification Search**

USPC D23/238, 239, 240, 241, 242, 243, 249,
D23/255, 256, 257; D6/524

CPC E03C 1/04; E03C 1/0401; E03C 1/0402;
E03C 1/0404; E03C 1/0405; E03C
1/0412; Y10T 137/9464

See application file for complete search history.

(56) **References Cited**

U.S. PATENT DOCUMENTS

D527,794 S * 9/2006 Sieger D23/238
D534,245 S * 12/2006 Egli D23/238

D535,358 S * 1/2007 Demmer D23/238
D546,922 S * 7/2007 Demmer D23/238
D626,198 S * 10/2010 Lammel D23/238
D634,405 S * 3/2011 Shieh D23/242
D635,648 S * 4/2011 Schoenherr D23/255
D643,512 S * 8/2011 Matsuura D23/238
D660,403 S * 5/2012 Flowers D23/241
D800,272 S * 10/2017 Andrew D23/255
D820,399 S * 6/2018 Garland D23/238
D820,400 S * 6/2018 Eads D23/238
D857,166 S * 8/2019 Spangler D23/238
D860,393 S * 9/2019 Seum D23/238
D883,448 S * 5/2020 Massaud D23/255

* cited by examiner

Primary Examiner — John A Voytek

(74) *Attorney, Agent, or Firm* — Muncy, Geissler, Olds & Lowe, P.C.

(57) **CLAIM**

The ornamental design for a faucet, as shown and described.

DESCRIPTION

FIG. 1 is a front perspective view of a faucet according to the present invention.

FIG. 2 is a front view of the faucet of FIG. 1.

FIG. 3 is a rear view of the faucet of FIG. 1.

FIG. 4 is a left side view of the faucet of FIG. 1.

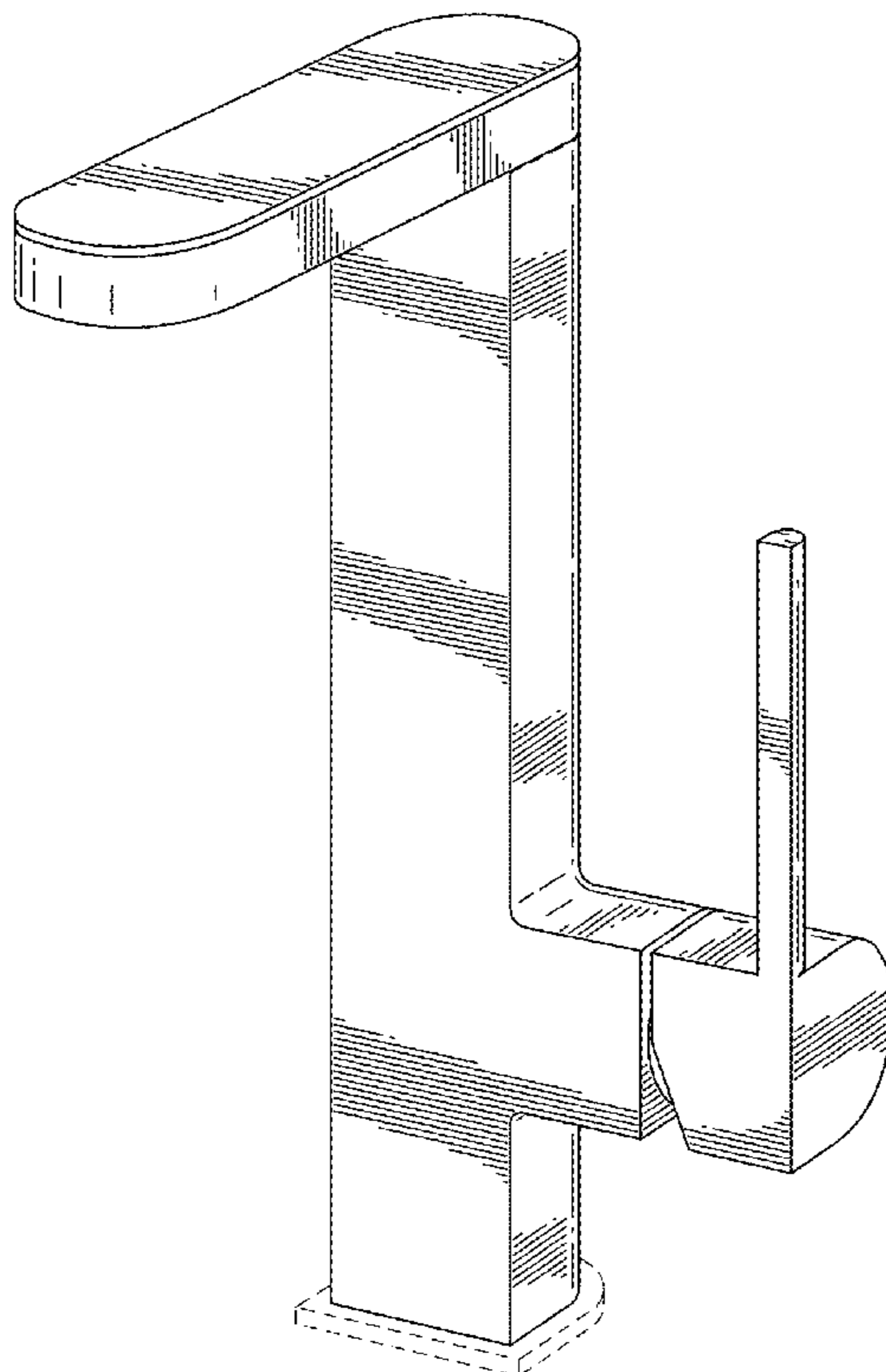
FIG. 5 is a right side view of the faucet of FIG. 1.

FIG. 6 is a top view of the faucet of FIG. 1; and,

FIG. 7 is a bottom view of the faucet of FIG. 1.

The dashed lines illustrate environment that does not form a part of the present invention, and no claim is made to the material illustrated with dashed lines.

1 Claim, 7 Drawing Sheets



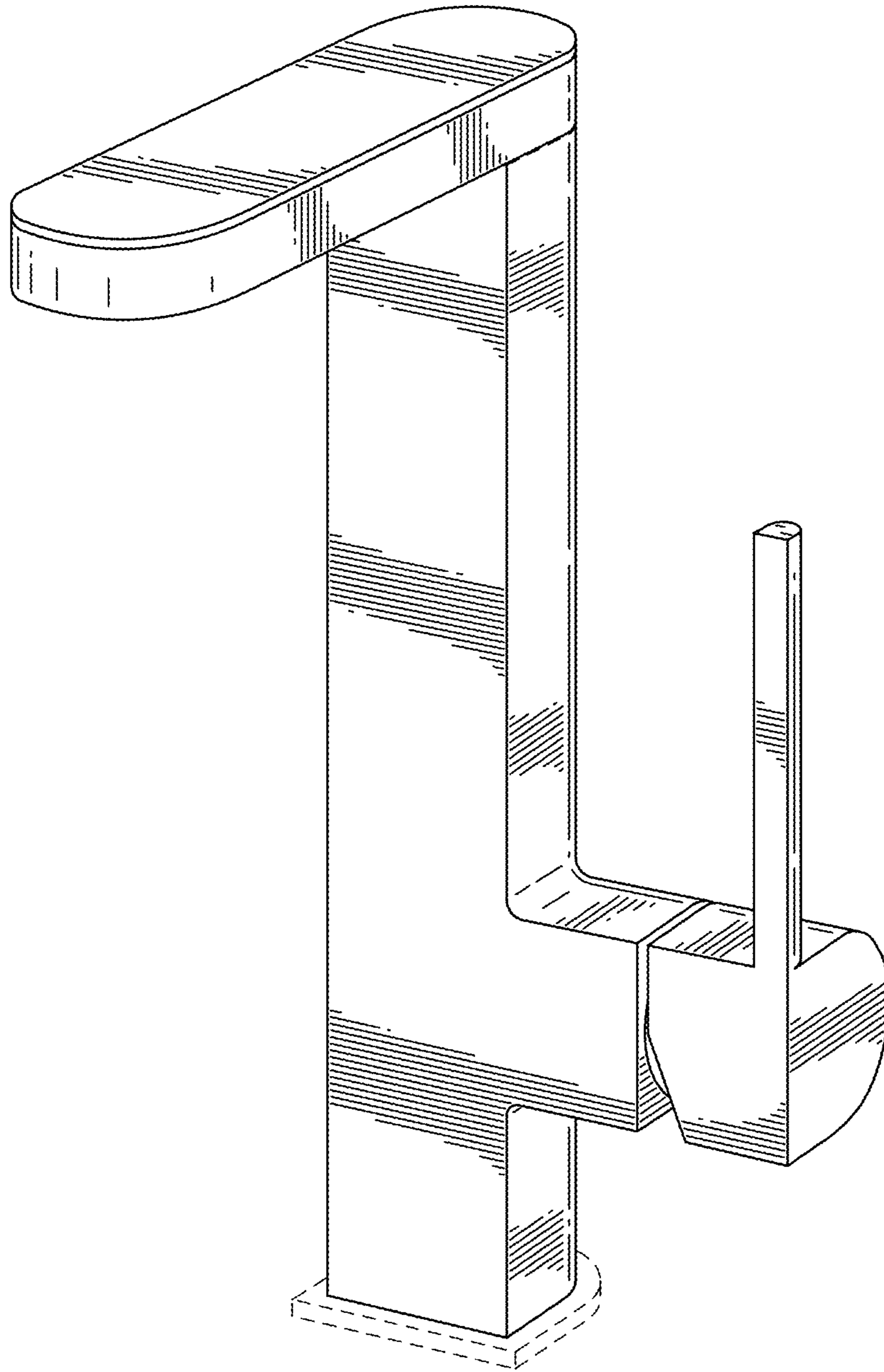


FIG.1

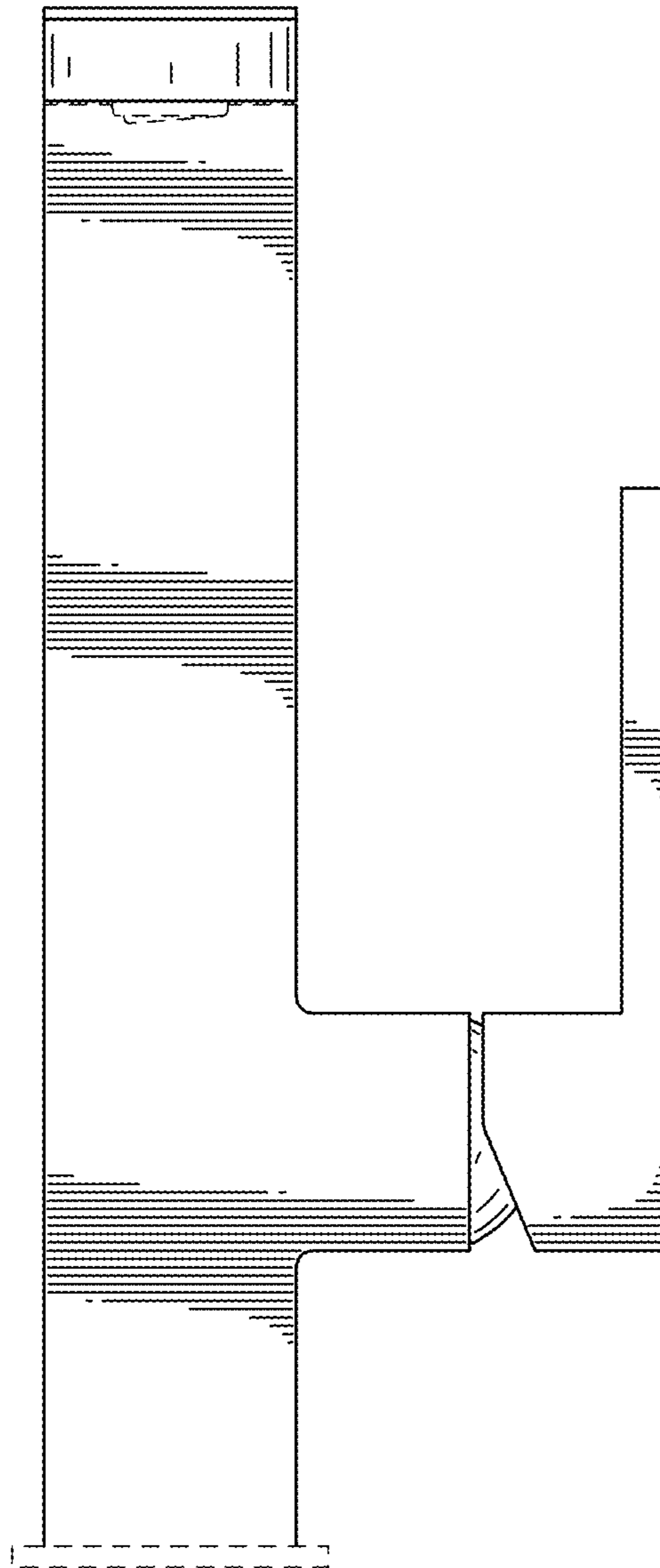


FIG.2

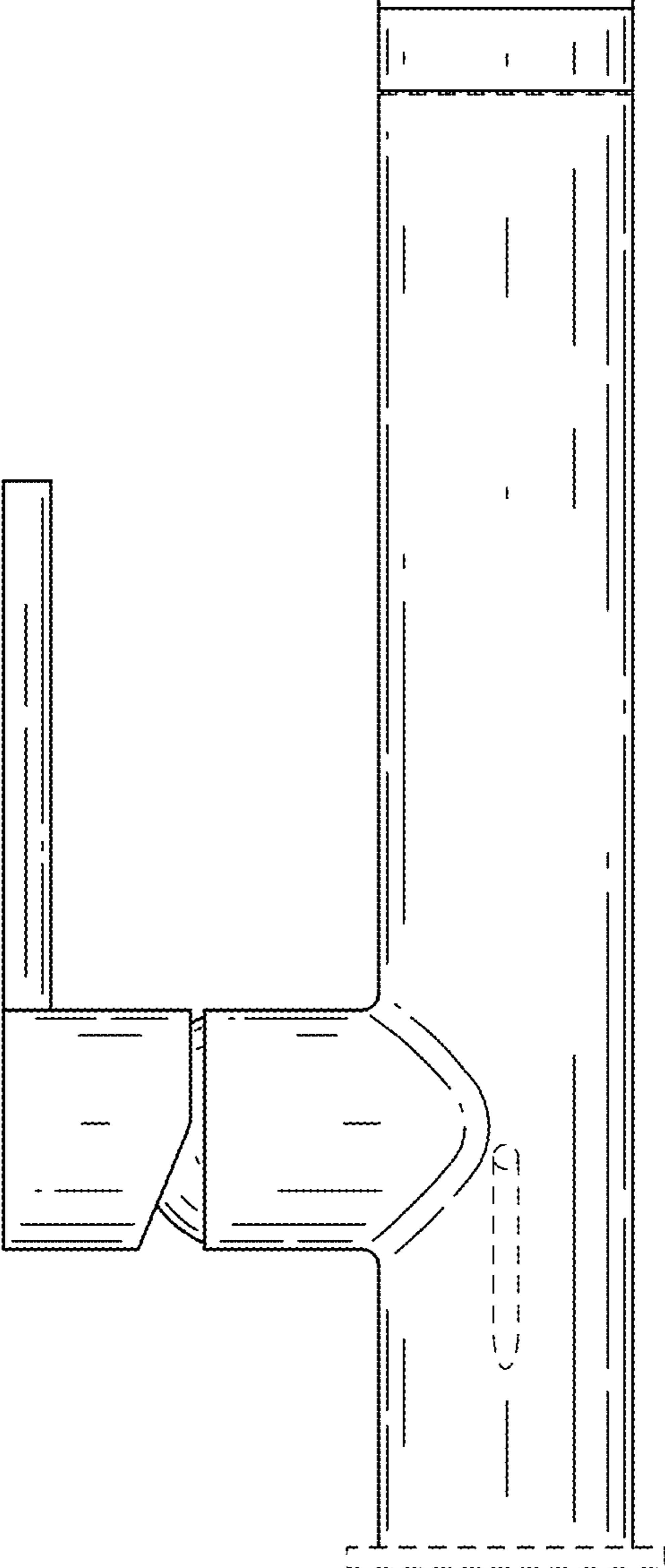


FIG.3

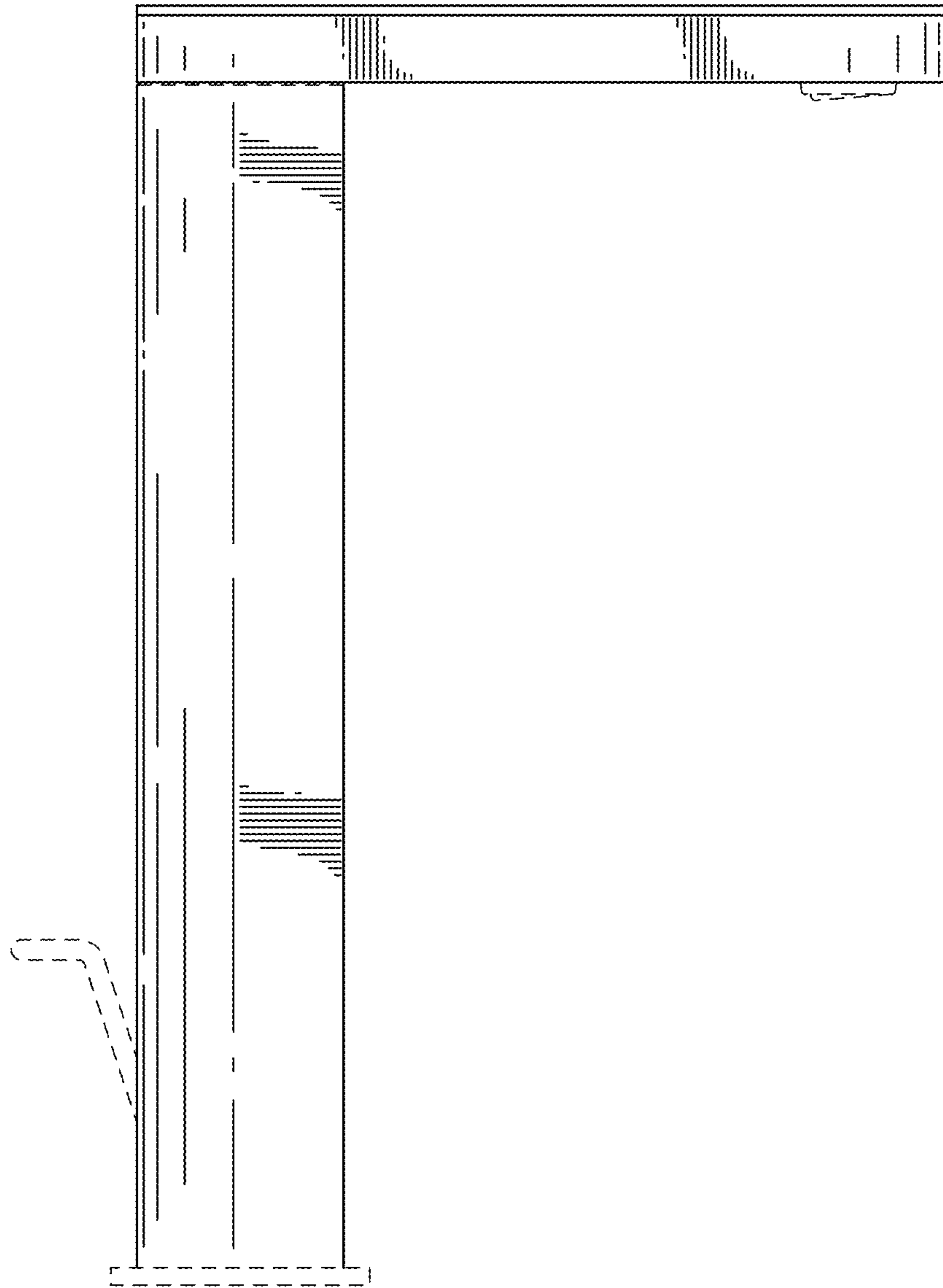


FIG.4

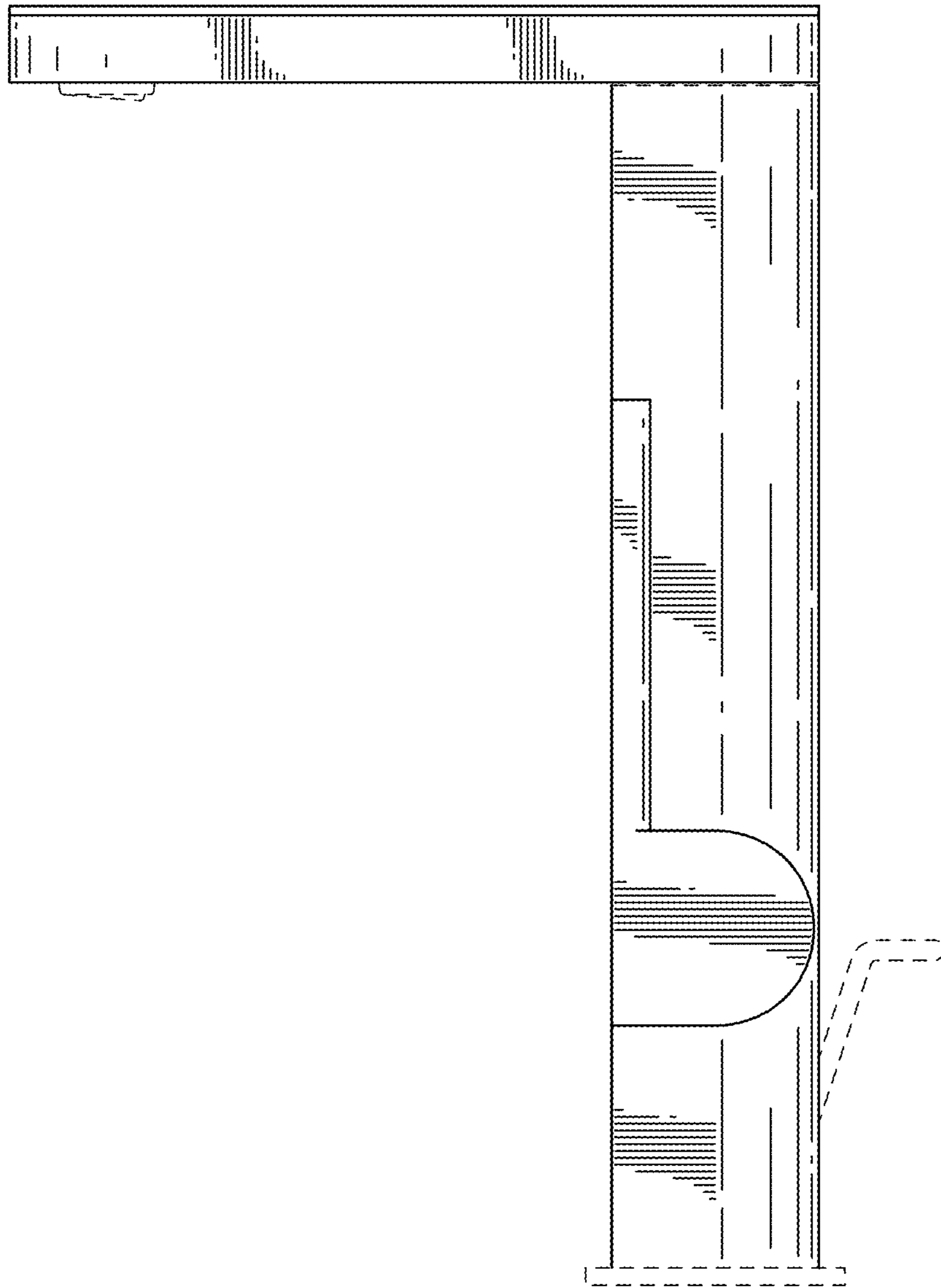


FIG.5

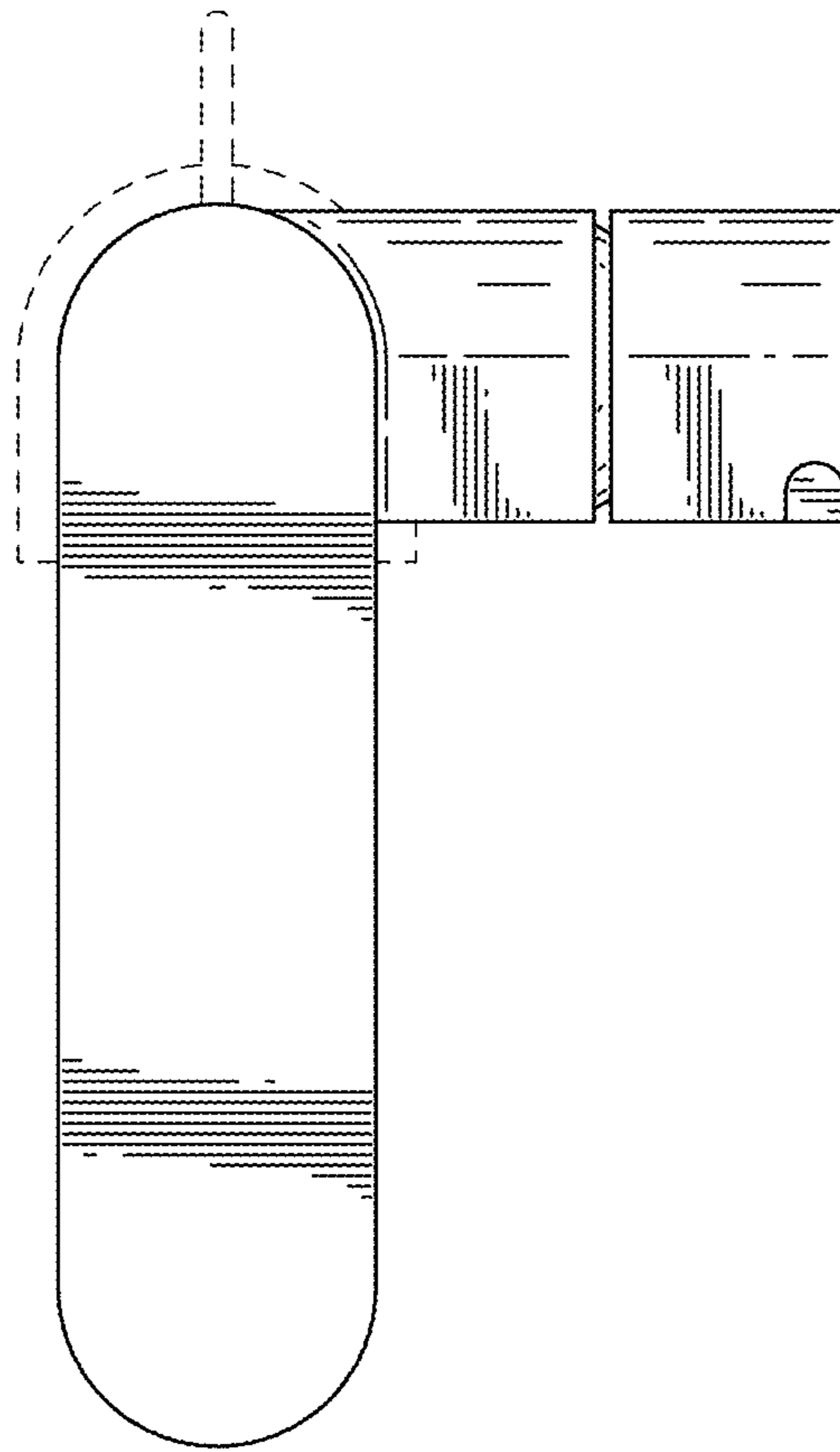


FIG.6

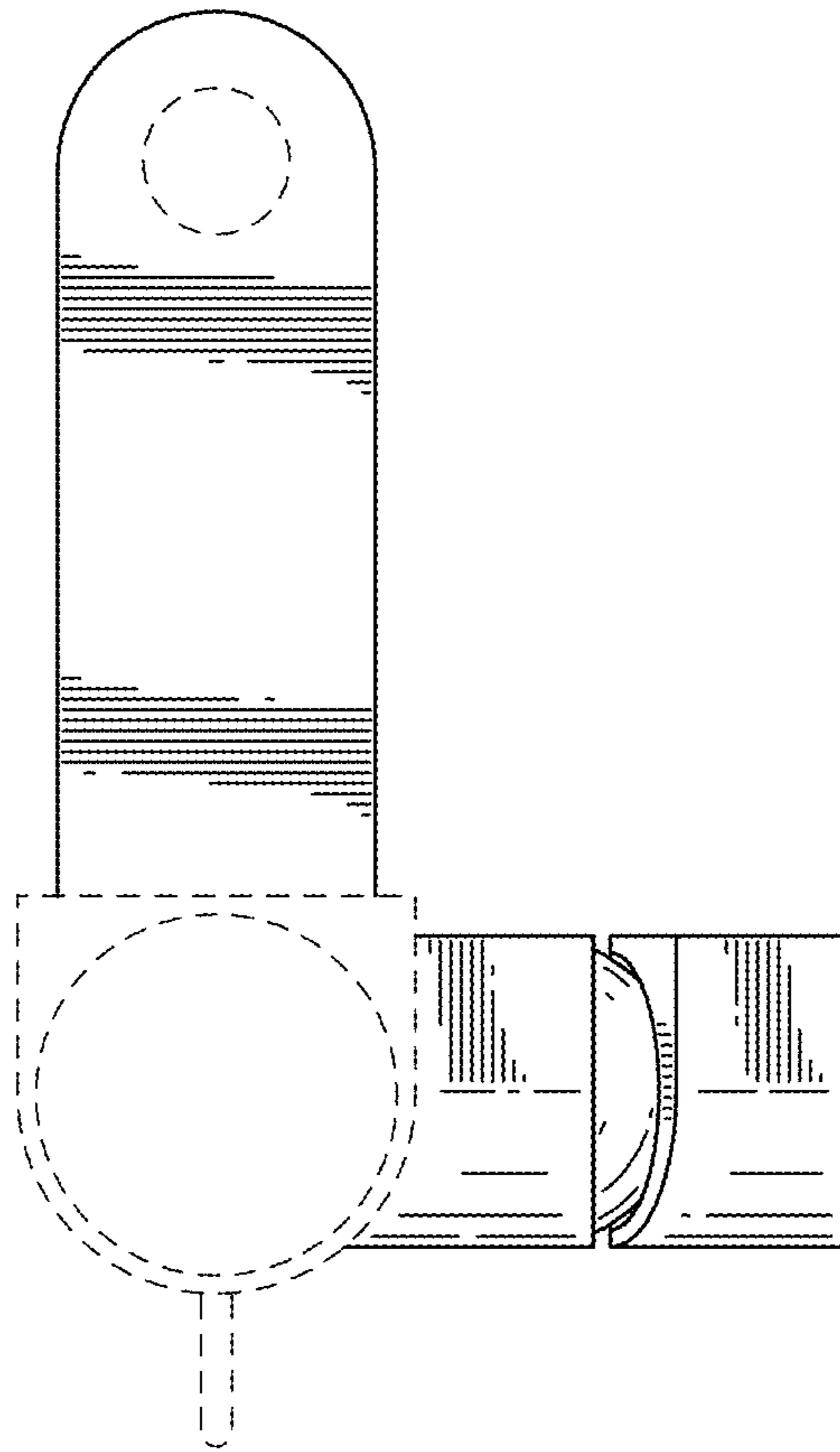


FIG.7