



US00D915552S

(12) **United States Design Patent**  
**Thiel**

(10) **Patent No.:** **US D915,552 S**

(45) **Date of Patent:** **\*\* Apr. 6, 2021**

(54) **AIR RELEASE VALVE**

(71) Applicant: **THE GORMAN-RUPP COMPANY,**  
Mansfield, OH (US)

(72) Inventor: **Bryce Thiel,** Lexington, OH (US)

(73) Assignee: **THE GORMAN-RUPP COMPANY,**  
Mansfield, OH (US)

(\*\*) Term: **15 Years**

(21) Appl. No.: **29/694,805**

(22) Filed: **Jun. 13, 2019**

**Related U.S. Application Data**

(62) Division of application No. 29/608,673, filed on Jun. 23, 2017, now Pat. No. Des. 856,482.

(51) **LOC (13) Cl.** ..... **23-01**

(52) **U.S. Cl.**  
USPC ..... **D23/235**

(58) **Field of Classification Search**  
USPC ..... D23/233, 235, 237, 244, 249, 248;  
137/491, 469, 202; 417/395; D24/216  
CPC .. B65D 77/225; B65D 83/70; B65D 2205/00;  
B65D 47/32  
See application file for complete search history.

(56) **References Cited**

**U.S. PATENT DOCUMENTS**

D98,061 S	1/1936	Flodin	
D99,226 S	4/1936	Vogt	
D213,104 S *	1/1969	Towsend	..... D23/233
4,621,990 A	11/1986	Forsythe et al.	
D437,917 S	2/2001	Weingarten	
D460,526 S	7/2002	Weingarten	

D479,577 S *	9/2003	Engelbrektsson	..... D23/235
D480,449 S	10/2003	Kah, Jr. et al.	
D674,467 S	1/2013	Weingarten	
D682,397 S	5/2013	Ben-Nun	
D835,240 S	12/2018	Yaacov	

**OTHER PUBLICATIONS**

“Notice of References Cited” in the parent U.S. Appl. No. 29/608,673—U.S. Pat. No. D479577—Engelbrektsson appears to have a typo in the Design Patent #; U.S. Pat. No. D479577 is not for Engelbrektsson.

\* cited by examiner

*Primary Examiner* — Gino Colan

(74) *Attorney, Agent, or Firm* — Tarolli, Sundheim, Covell & Tummino LLP

(57) **CLAIM**

The ornamental design for an air release valve, as shown and described.

**DESCRIPTION**

FIG. 1 is a perspective view of an air release showing my new design;

FIG. 2 is a rear perspective view thereof;

FIG. 3 is a right side elevational view thereof, as seen from the plane indicated by the line 3-3 in FIG. 5;

FIG. 4 is a left side elevational view thereof, as seen from the plane indicated by the line 4-4 in FIG. 5;

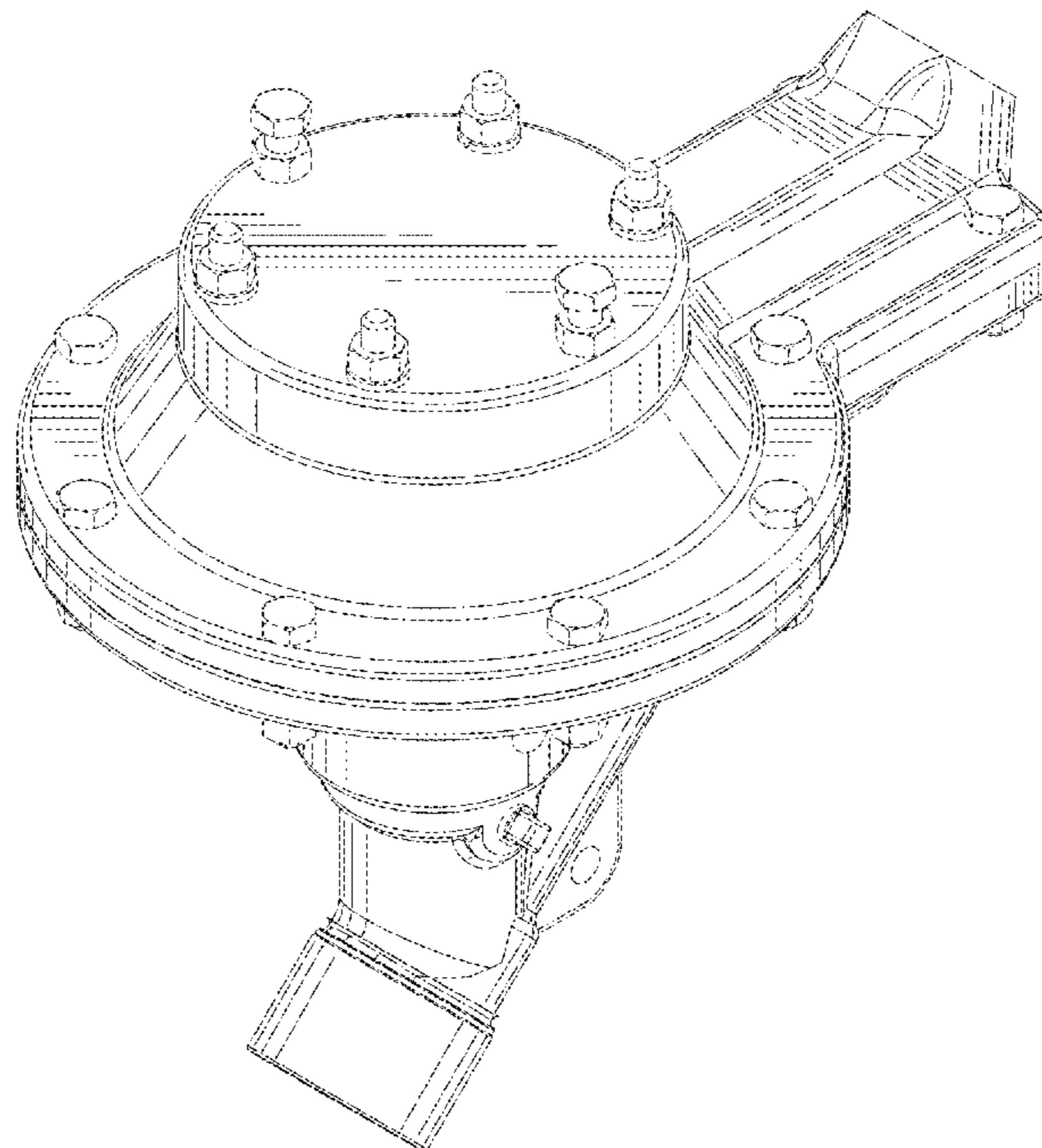
FIG. 5 is a front elevational view thereof;

FIG. 6 is a rear elevational view thereof; and,

FIG. 7 is a top plan view thereof.

The broken lines shown in the Figures are for the purposes of illustrating portions of the air release valve and form no part of the claimed design.

**1 Claim, 8 Drawing Sheets**



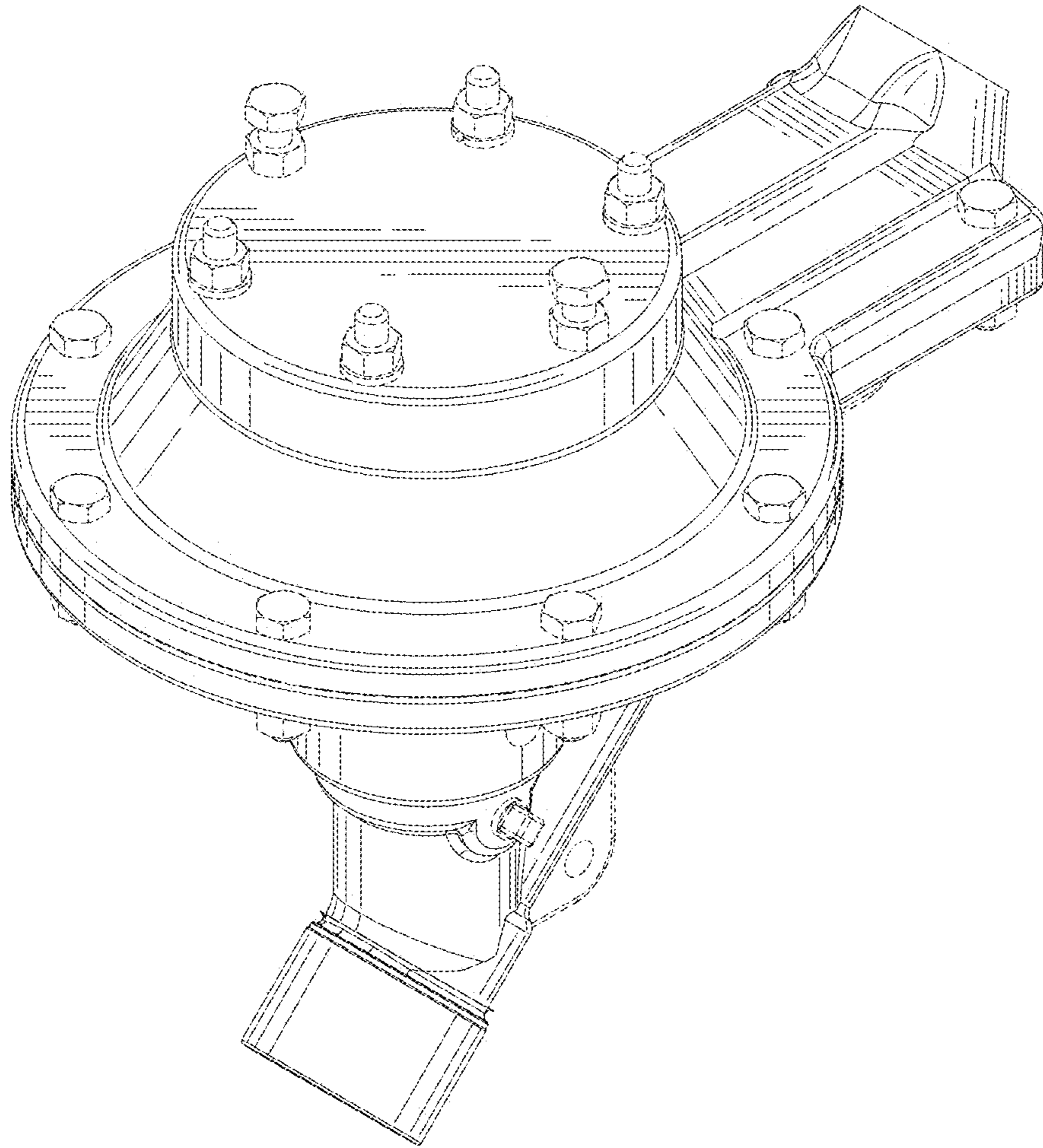


FIG. 1

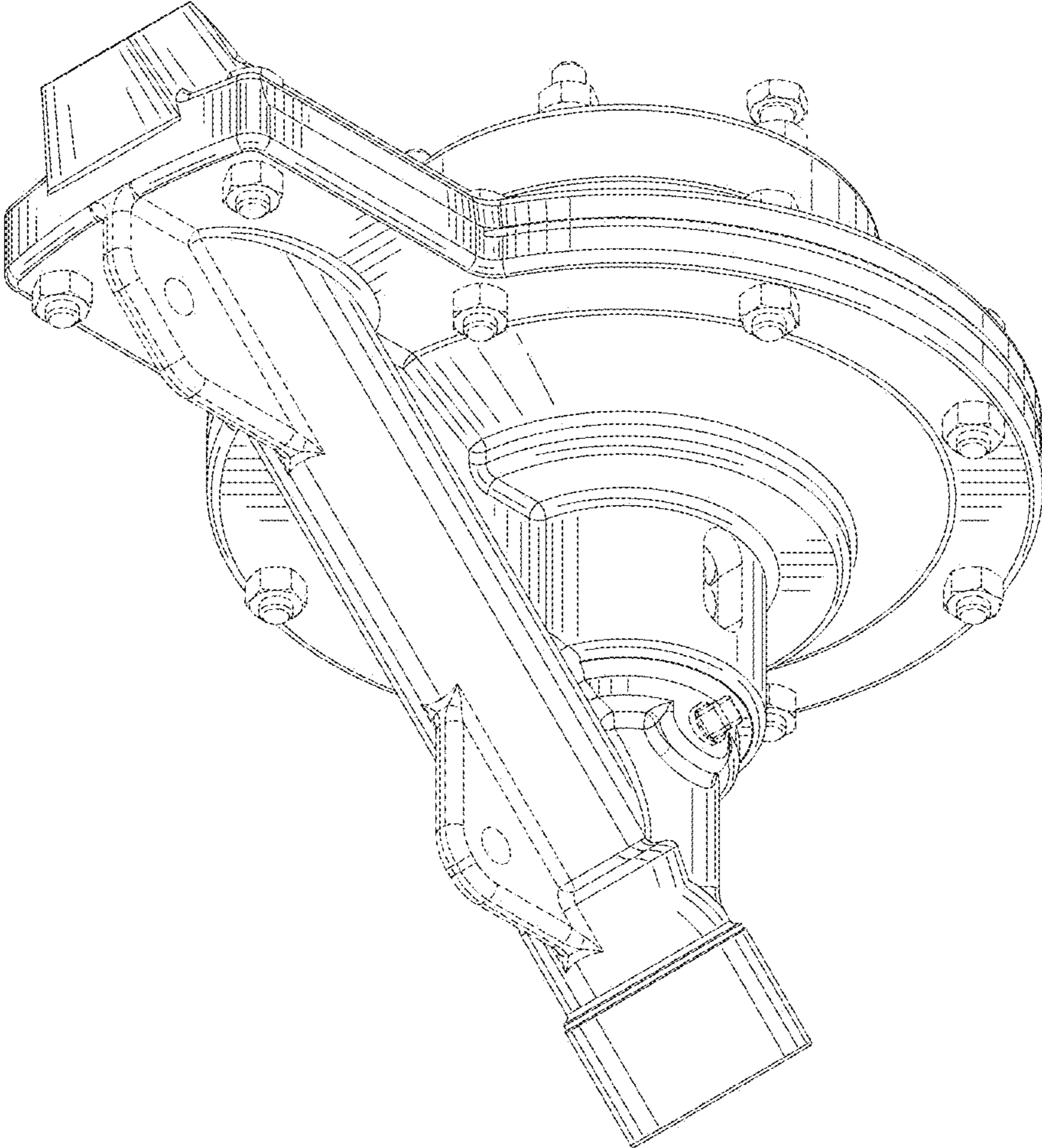


FIG. 2

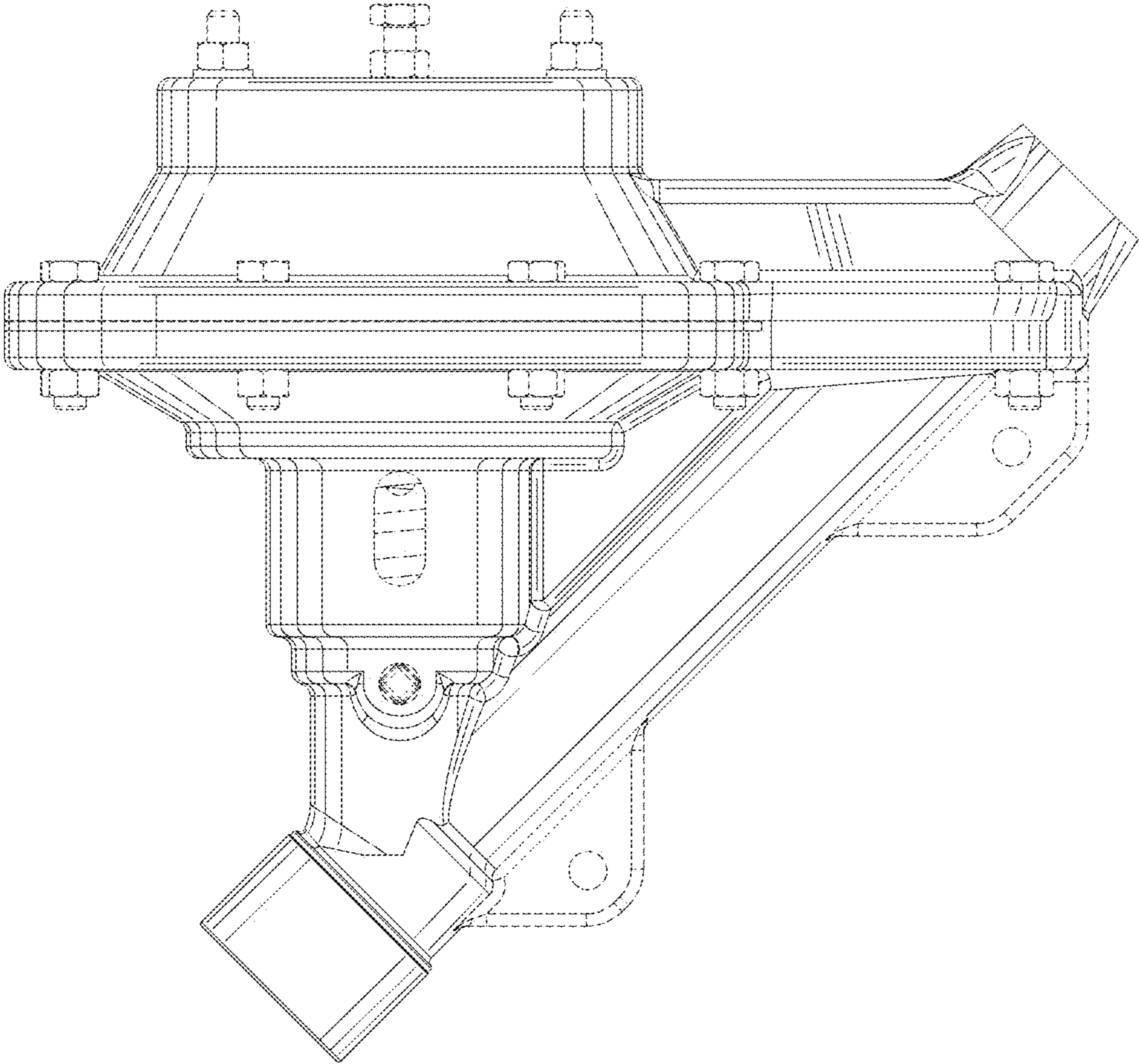


FIG. 3

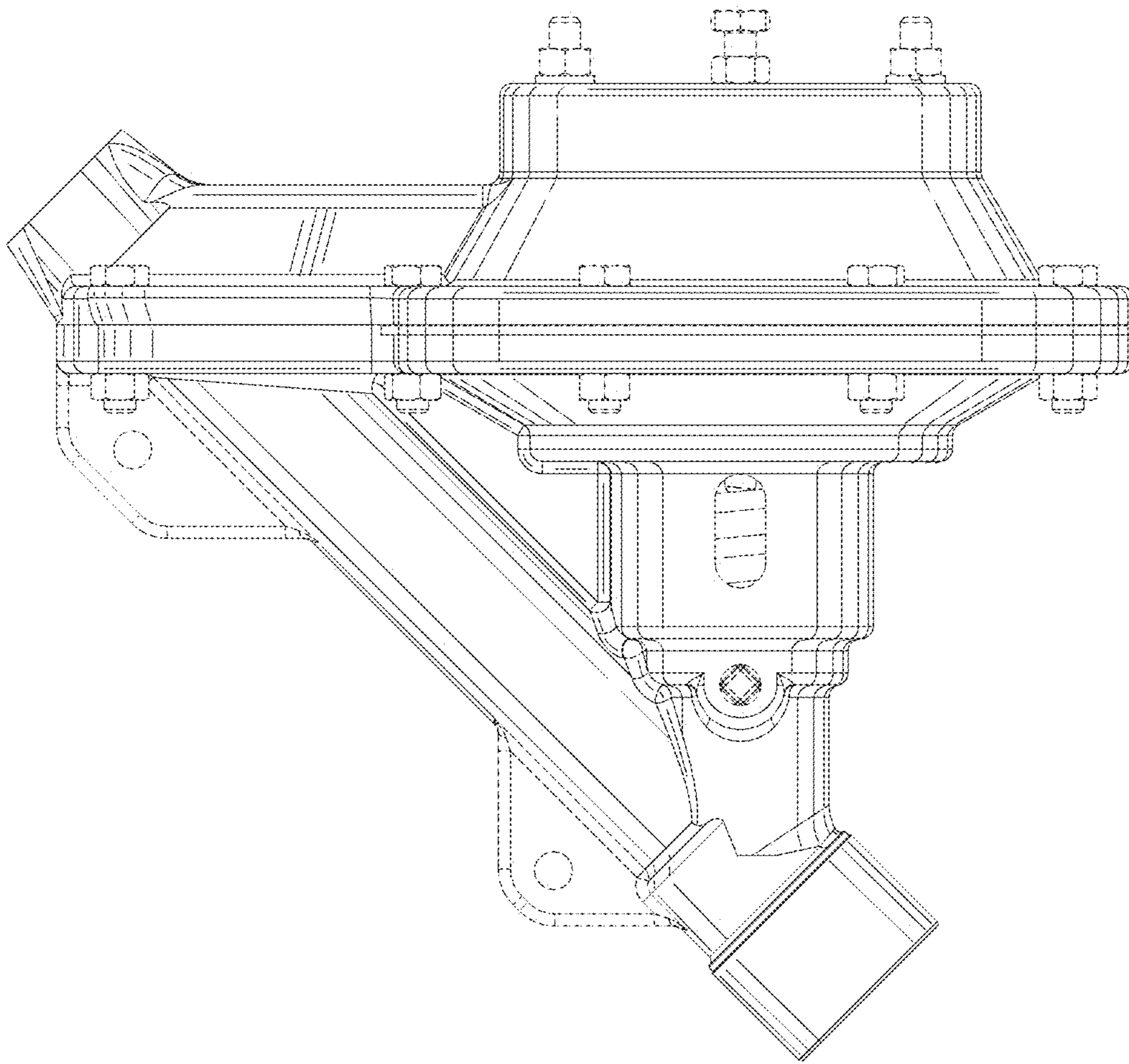


FIG. 4

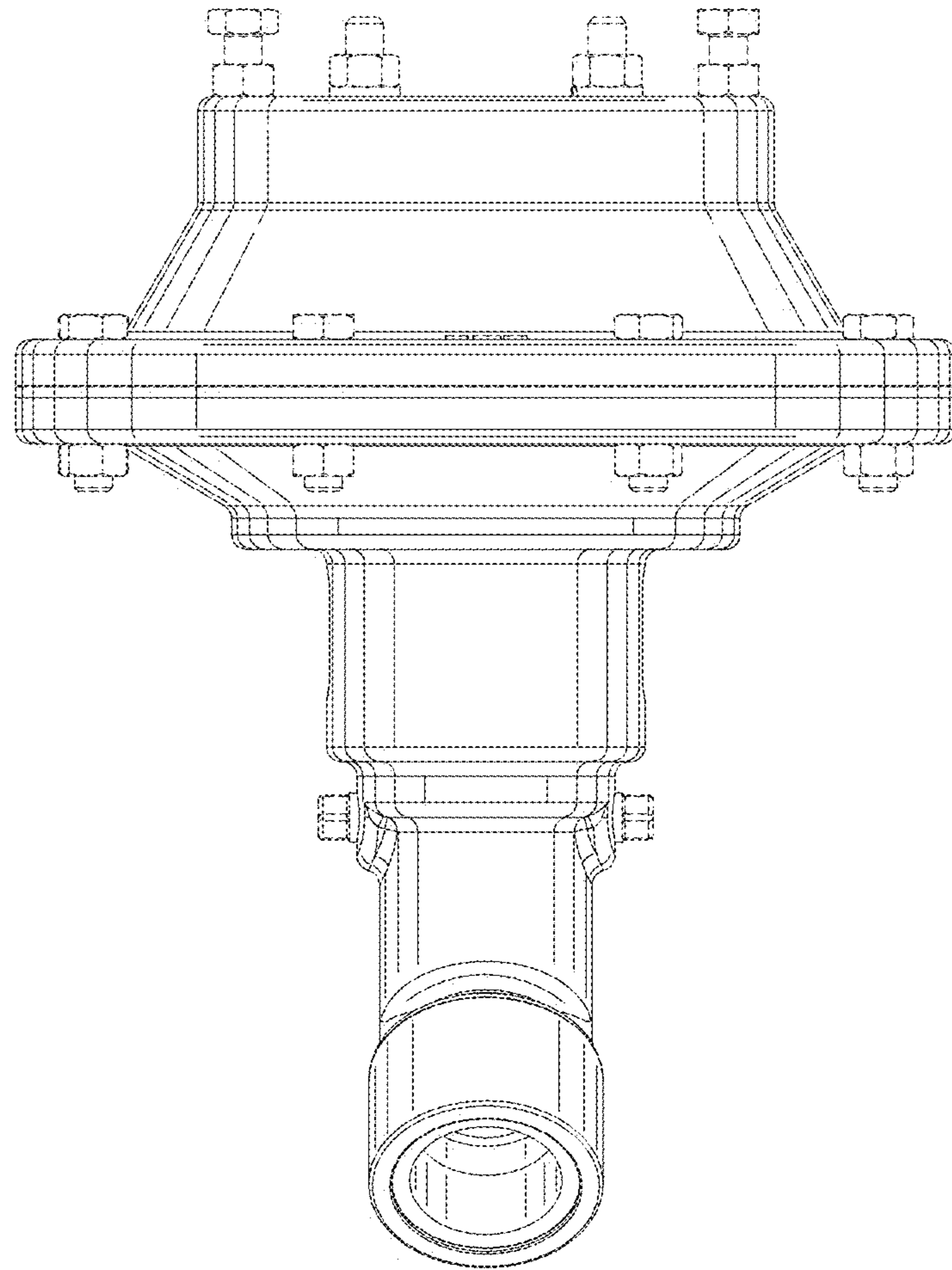


FIG. 5

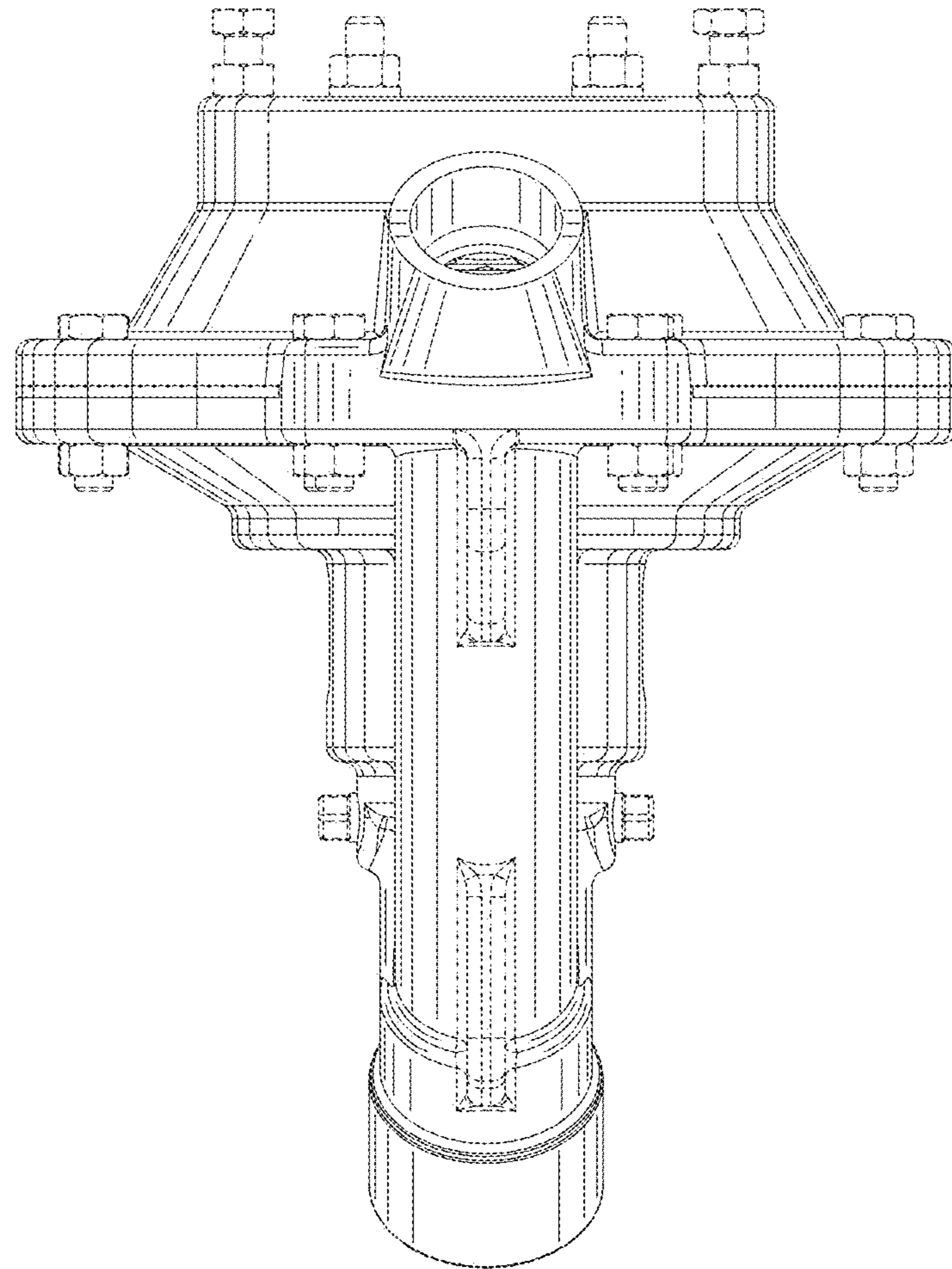


FIG. 6

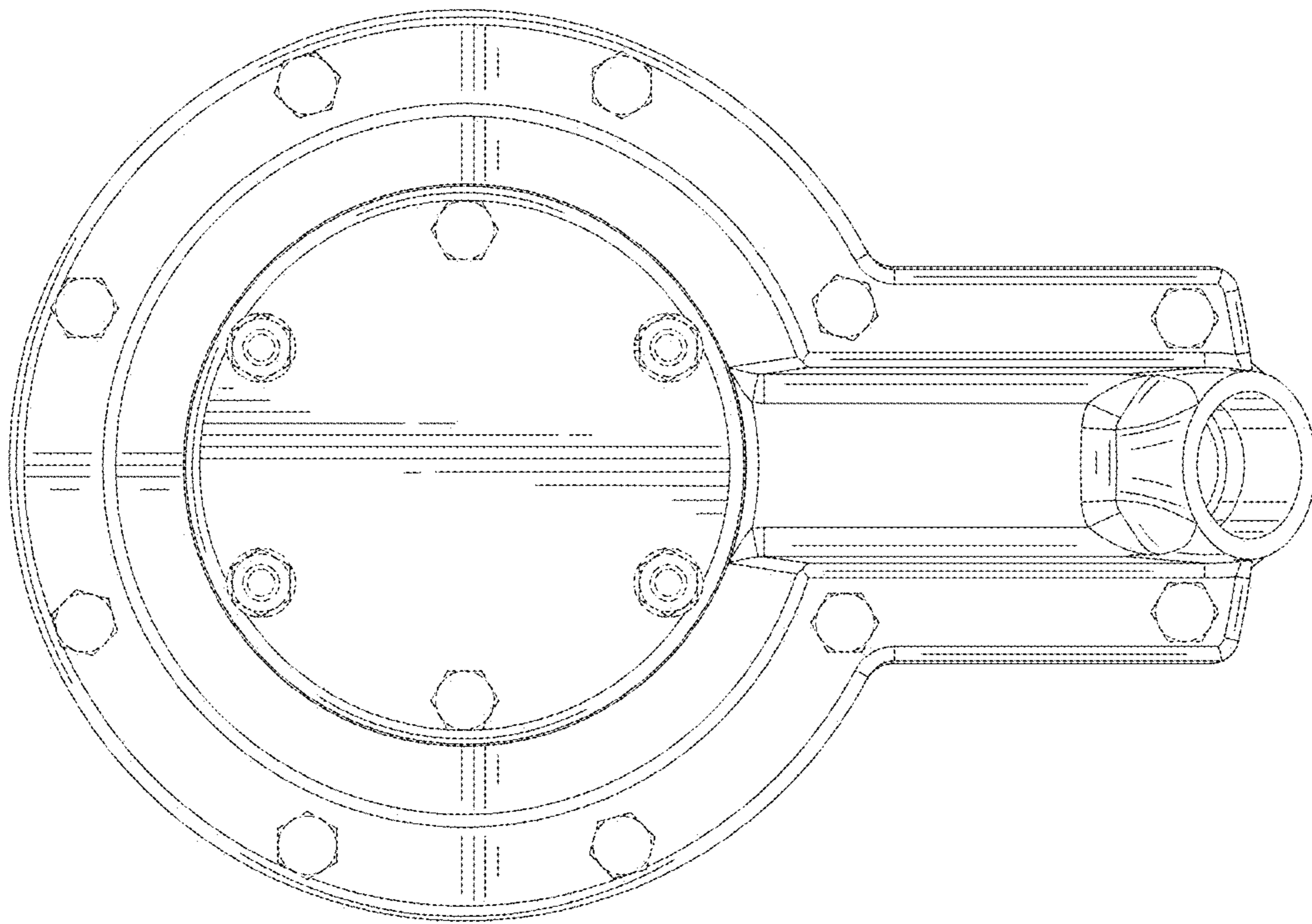


FIG. 7



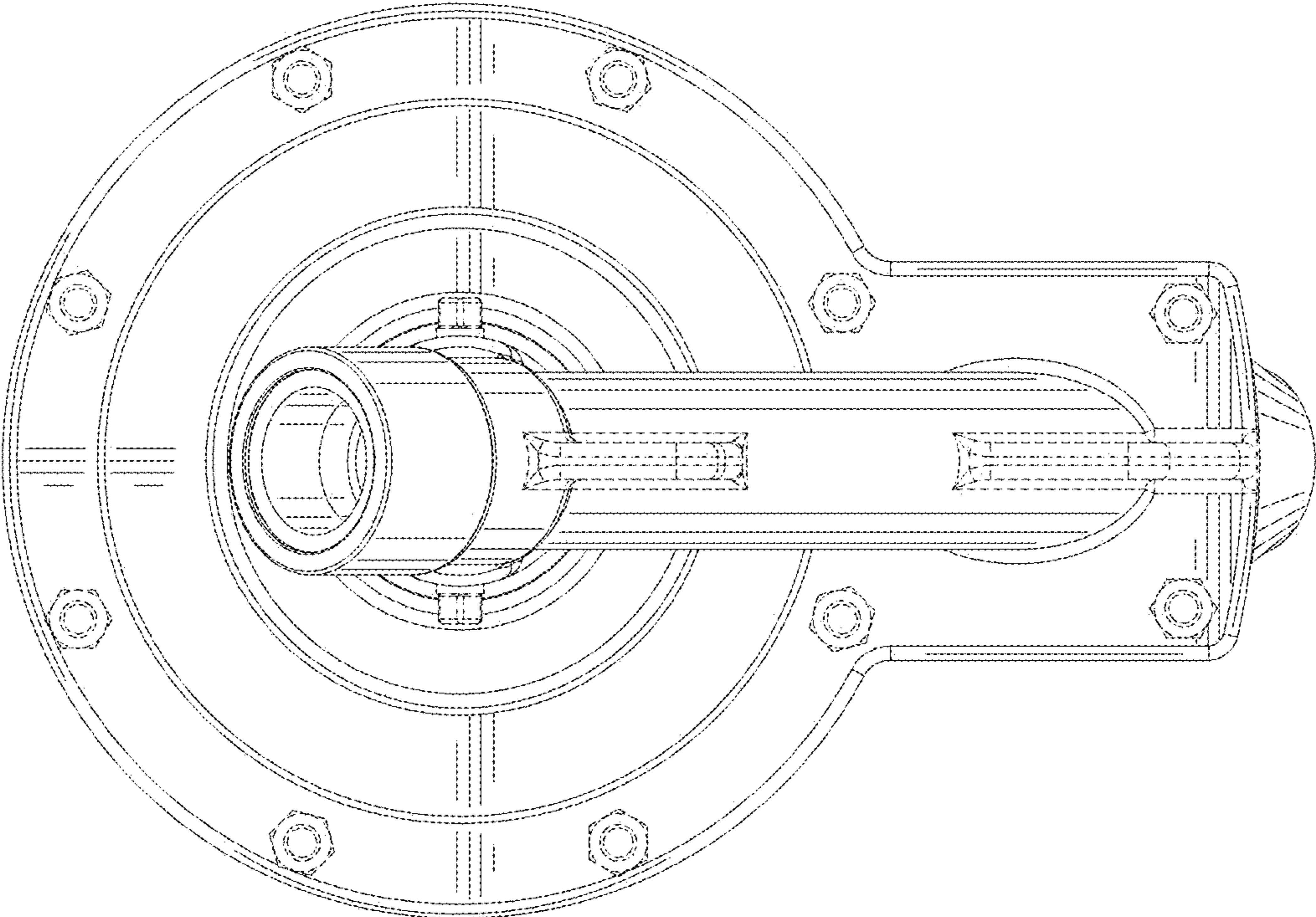


FIG. 8