



US00D915550S

(12) **United States Design Patent**
Gwen

(10) **Patent No.:** **US D915,550 S**
(45) **Date of Patent:** **** Apr. 6, 2021**

(54) **AIR FILTER HOLDER FOR A TOILET SEAT LID**

(71) Applicant: **Patrick Gwen**, Houston, TX (US)

(72) Inventor: **Patrick Gwen**, Houston, TX (US)

(**) Term: **15 Years**

(21) Appl. No.: **29/691,506**

(22) Filed: **May 16, 2019**

(51) **LOC (13) Cl.** **23-01**

(52) **U.S. Cl.**
USPC **D23/209**

(58) **Field of Classification Search**
USPC D23/207–210, 260; D7/667; D24/226
CPC B09C 3/011
See application file for complete search history.

(56) **References Cited**

U.S. PATENT DOCUMENTS

| | | | | | |
|-----------|------|---------|-----------------|-------|--------------------------|
| 5,429,804 | A * | 7/1995 | Sayles | | B01L 9/52 422/419 |
| 5,496,520 | A * | 3/1996 | Kelton | | B01L 3/5023 422/412 |
| 5,792,654 | A * | 8/1998 | Bohannon | | B01L 3/5085 435/305.3 |
| 5,985,594 | A * | 11/1999 | Croteau | | B01L 3/5085 435/29 |
| D424,670 | S | 5/2000 | Jang | | |
| D529,591 | S | 10/2006 | Benjamin et al. | | |
| 7,582,472 | B2 * | 9/2009 | Smith | | B01L 3/5025 435/288.4 |
| D731,619 | S * | 6/2015 | Smith | | D23/209 |
| D767,160 | S * | 9/2016 | Schimmel | | D24/226 |
| D767,161 | S * | 9/2016 | Schimmel | | D24/226 |
| D767,162 | S * | 9/2016 | Schimmel | | D24/226 |
| D787,656 | S | 5/2017 | Yoo et al. | | |
| D816,434 | S * | 5/2018 | Burns | | D7/667 |
| D849,884 | S * | 5/2019 | Oh | | D23/207 |
| D867,520 | S * | 11/2019 | Erfan | | D23/209 |

(Continued)

FOREIGN PATENT DOCUMENTS

KR 300301295.0000 * 2/2001

OTHER PUBLICATIONS

Simplehuman filter kit, announced Jan. 29, 2014[online], [site visited Dec. 16, 2020]. Available from internet, URL:<https://www.amazon.ca/dp/B009OYFSR8> (Year: 2014).*

(Continued)

Primary Examiner — Barbara Fox

Assistant Examiner — Jamaal Rasheed

(74) *Attorney, Agent, or Firm* — Craft Chu PLLC;
Andrew W. Chu

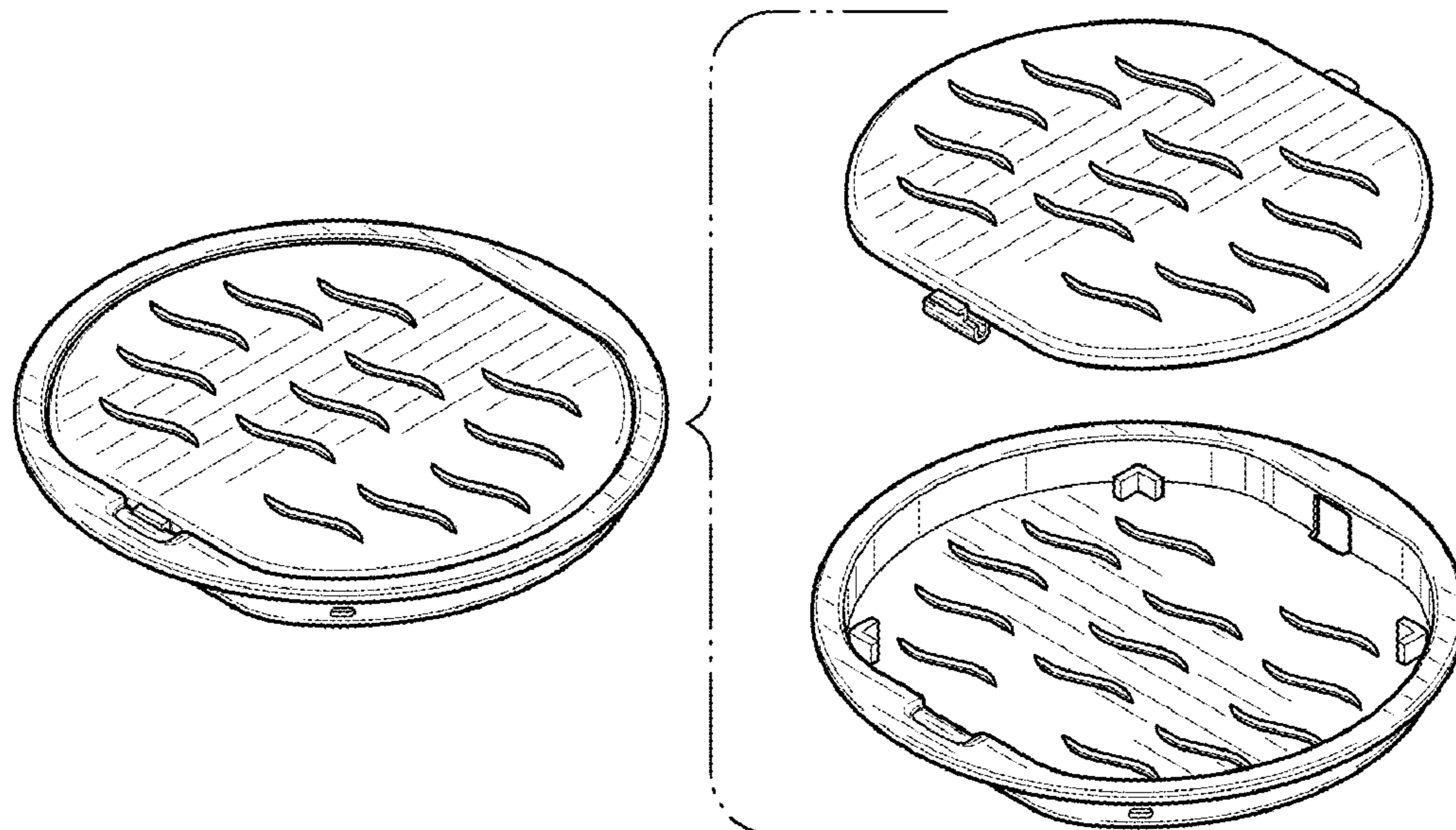
(57) **CLAIM**

The ornamental design for an air filter holder for a toilet seat lid, as shown and described.

DESCRIPTION

FIG. 1 is an upper perspective view of an air filter holder for a toilet seat lid showing my design.
 FIG. 2 is an exploded perspective view thereof;
 FIG. 3 is top plan view thereof;
 FIG. 4 is a bottom plan view thereof;
 FIG. 5 is a front elevation view thereof;
 FIG. 6 is a back elevation view thereof;
 FIG. 7 is a side elevation view thereof;
 FIG. 8 is an opposite side elevation view thereof;
 FIG. 9 is another perspective view of the air filter holder for a toilet seat lid, showing attachment to a toilet seat lid; and,
 FIG. 10 is an exploded perspective view of the air filter holder for a toilet seat lid, showing attachment to a toilet seat lid and insertion of an air filter in broken lines.
 The broken line showing of the toilet seat and filter are for the purpose of depicting environmental structure and form no part of the claimed design.

1 Claim, 2 Drawing Sheets



(56)

References Cited

U.S. PATENT DOCUMENTS

2004/0018585 A1* 1/2004 Crouteau C12M 23/20
435/34
2014/0366735 A1* 12/2014 Zhao B03C 3/011
96/58
2015/0375151 A1* 12/2015 Wydler B01D 46/0005
55/385.2

OTHER PUBLICATIONS

VivaSpring, announced Jul. 12, 2017[online], [site visited Dec. 16, 2020]. Available from internet, URL:< <https://www.amazon.com/VivaSpring-Replacement-Cartridge-FF-15-filtration/dp/B073WP1KPK>> (Year: 2017).*

* cited by examiner

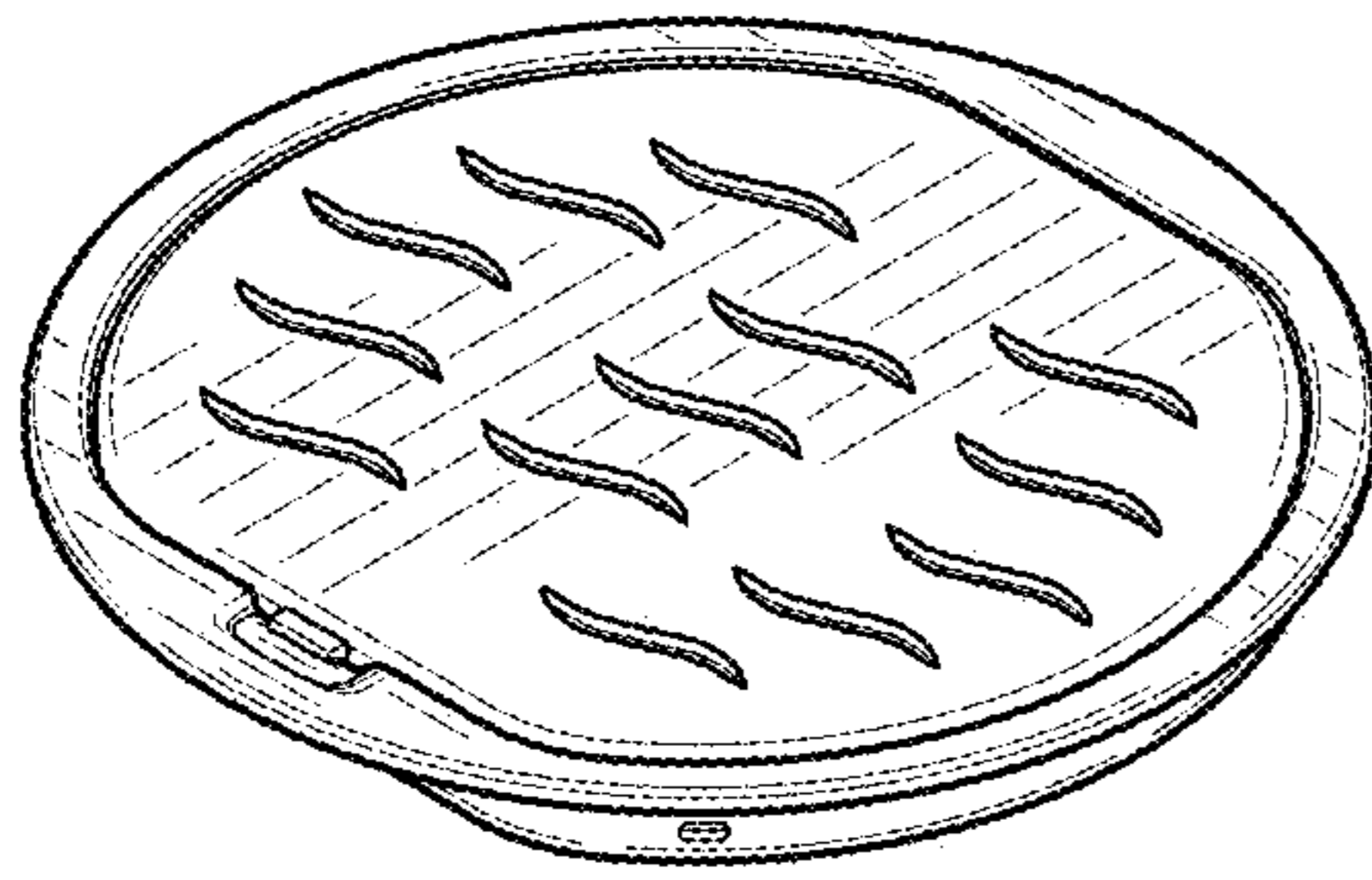


FIG. 1

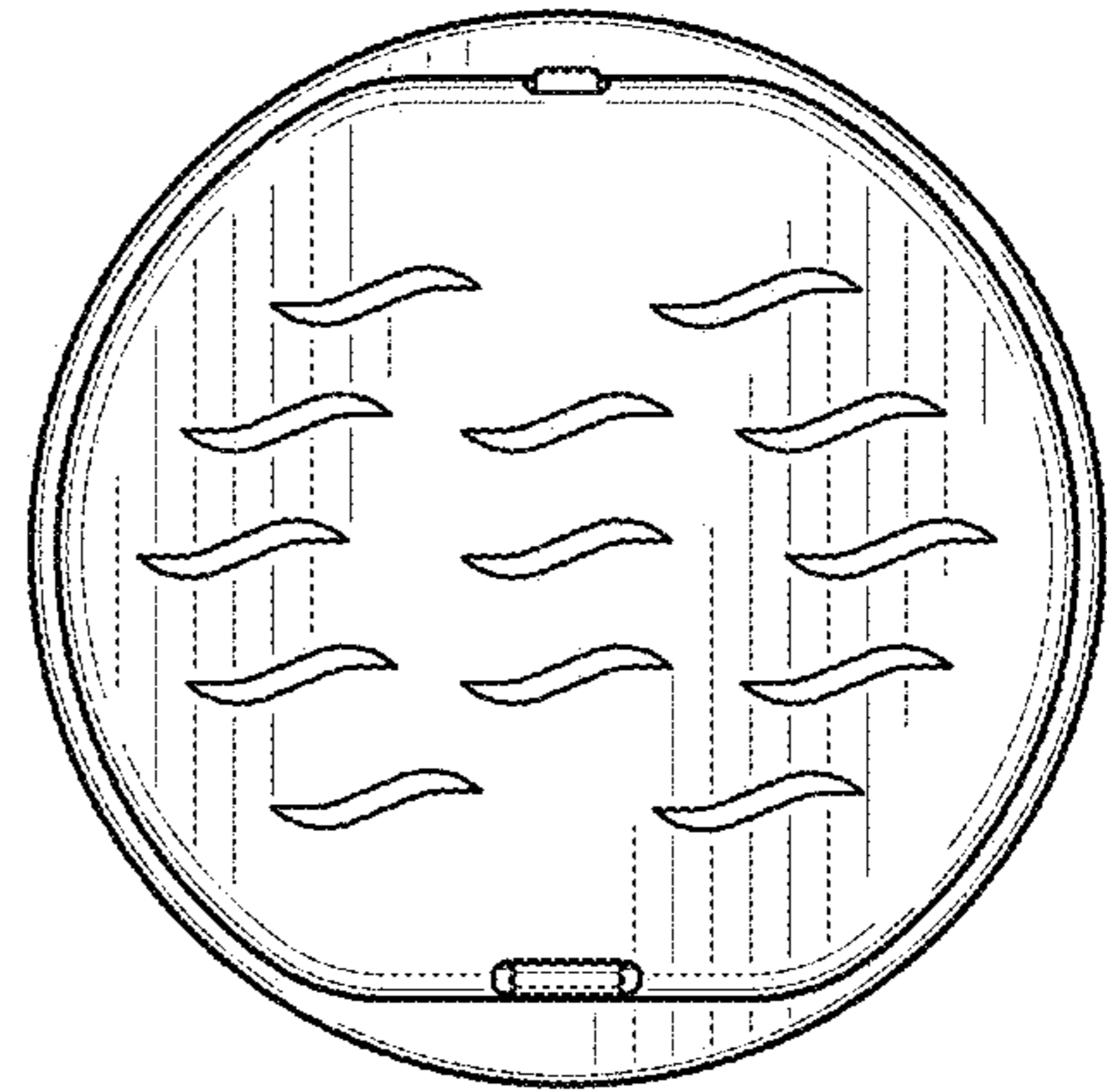


FIG. 4

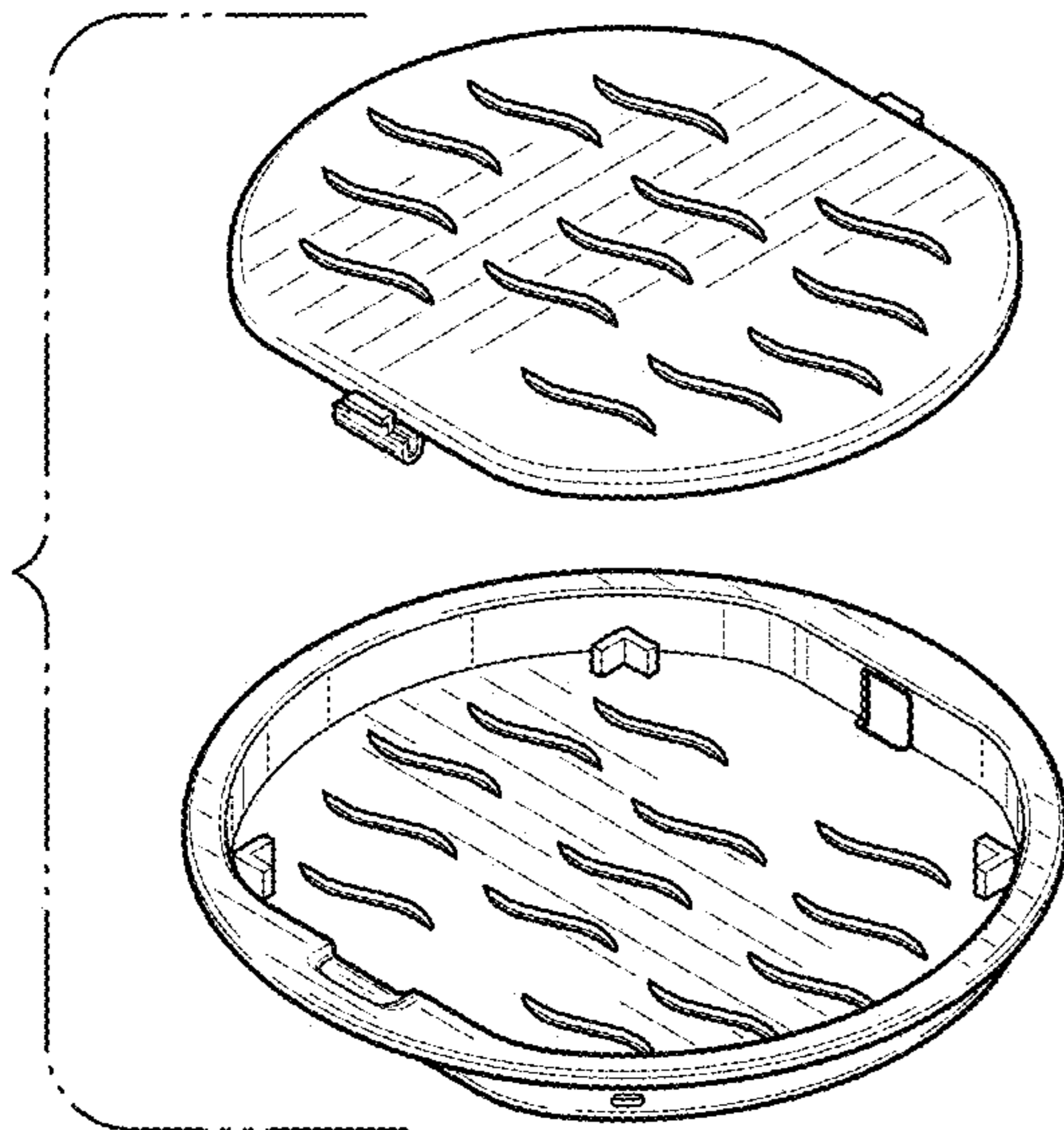


FIG. 2



FIG. 5

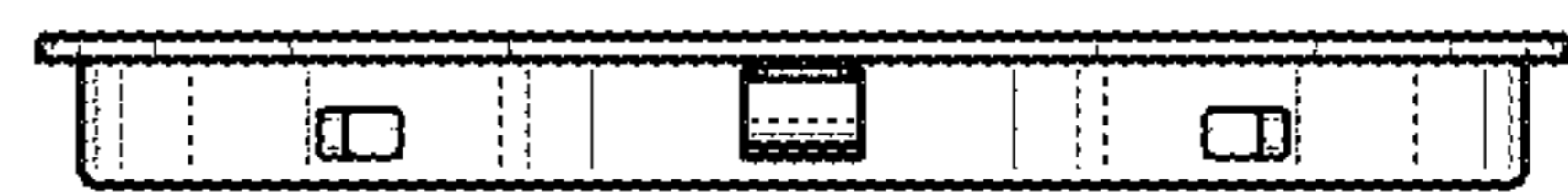


FIG. 6

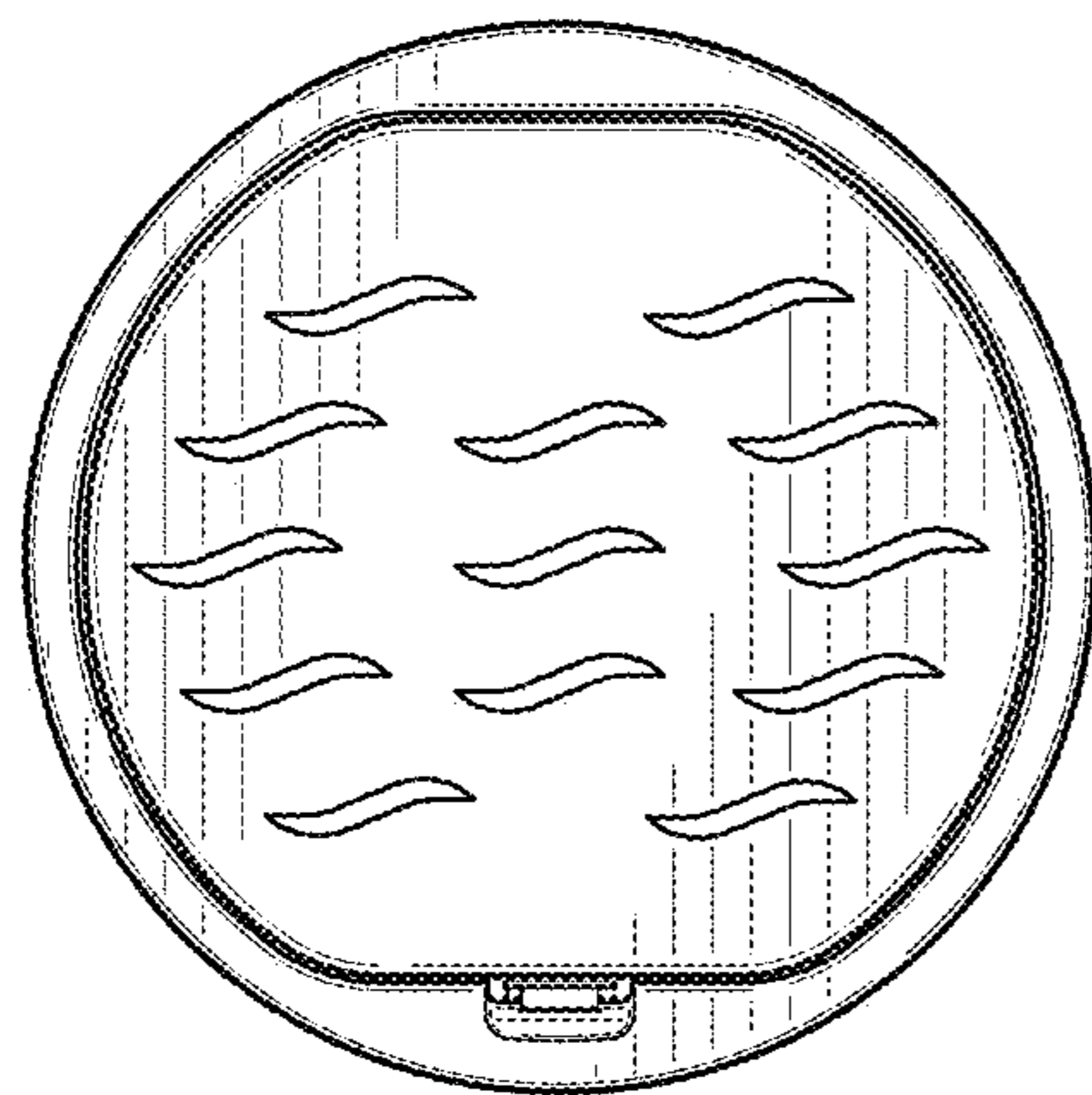


FIG. 3

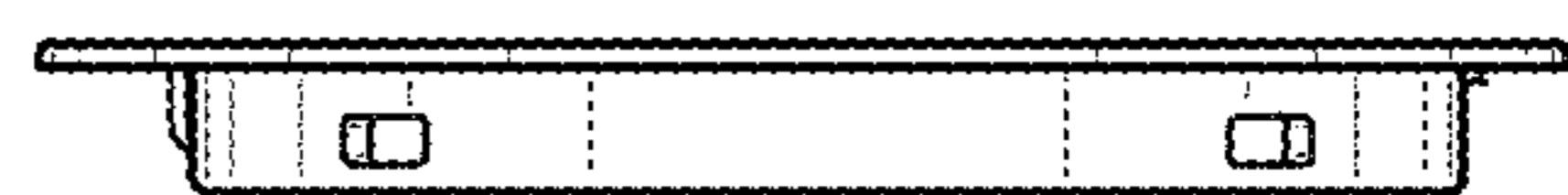


FIG. 7

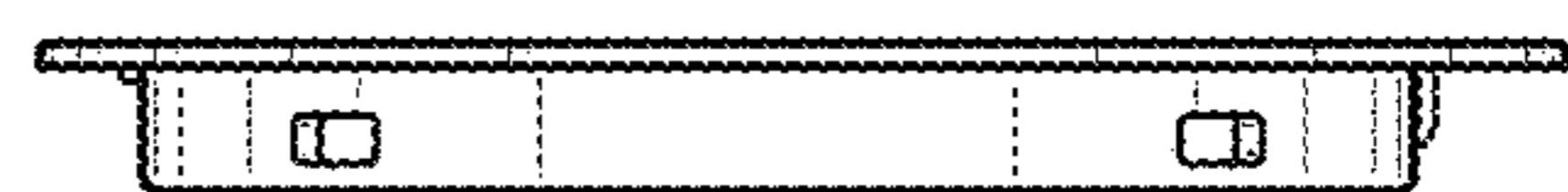


FIG. 8

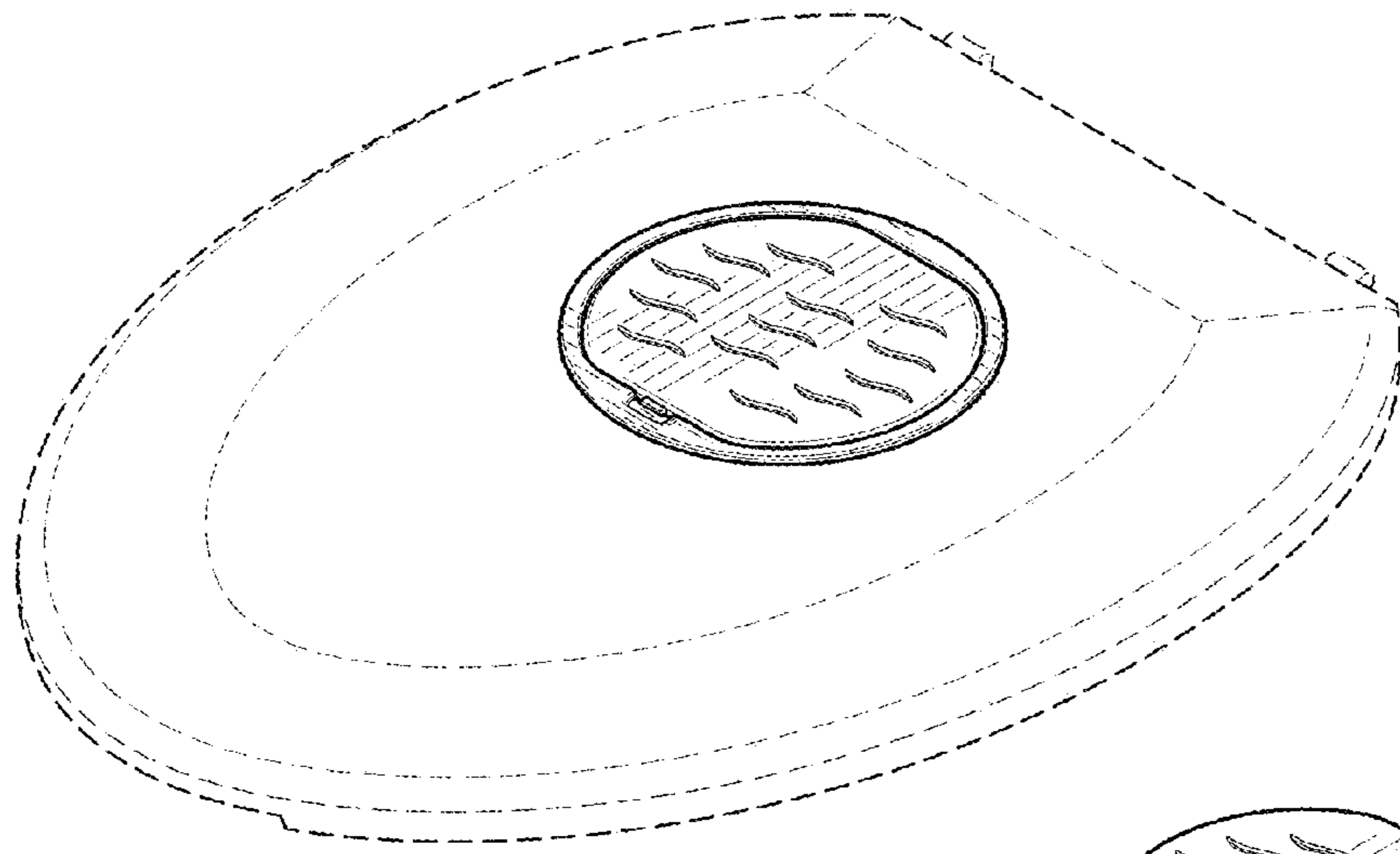


FIG. 9

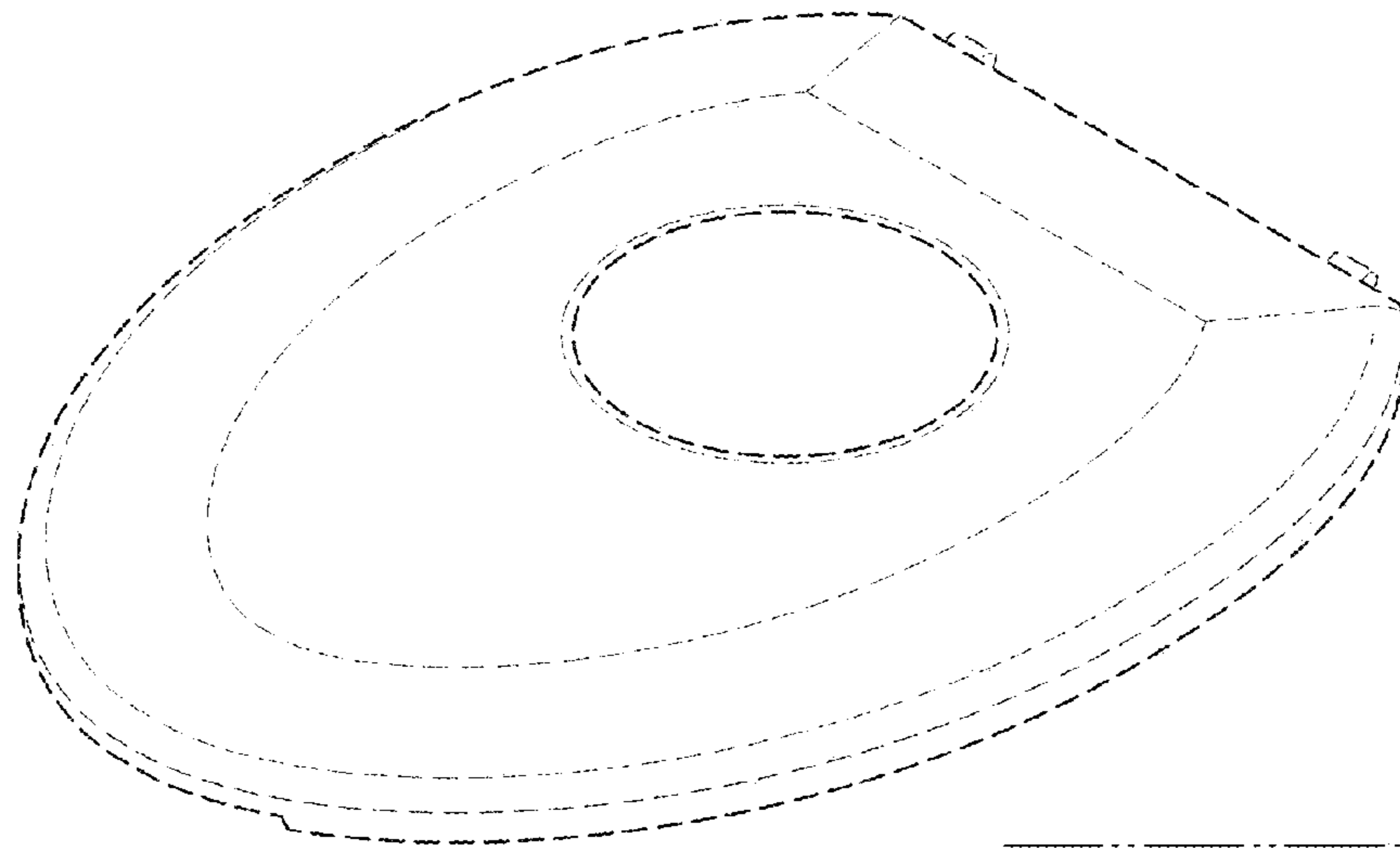
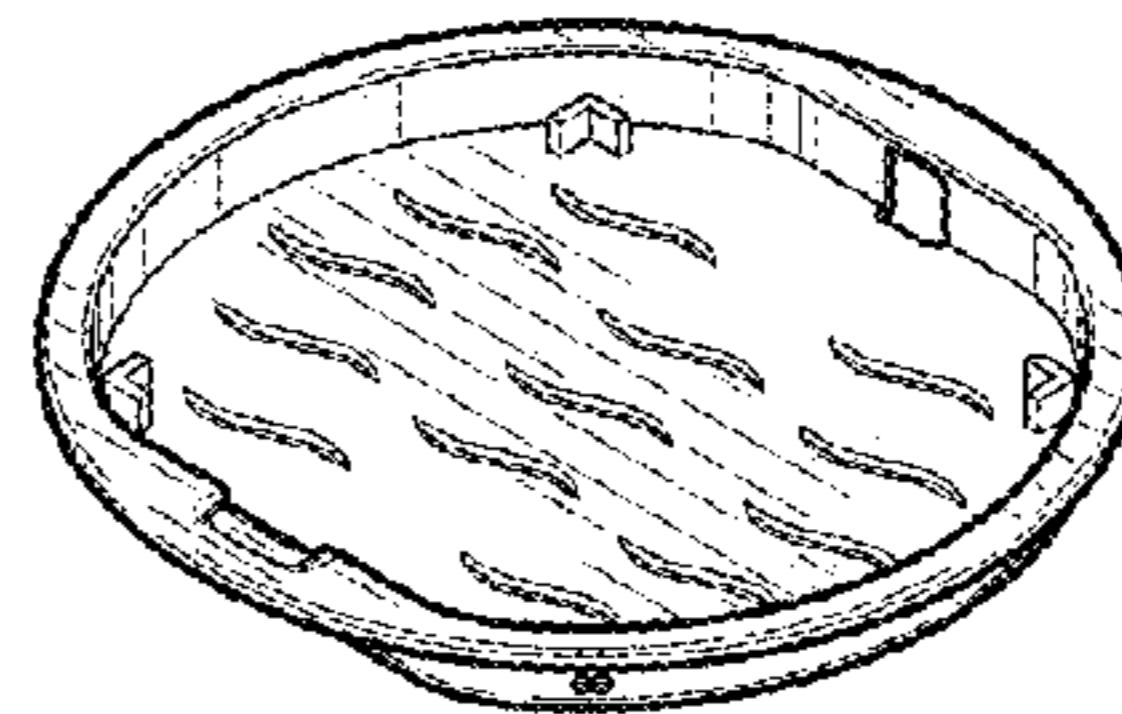
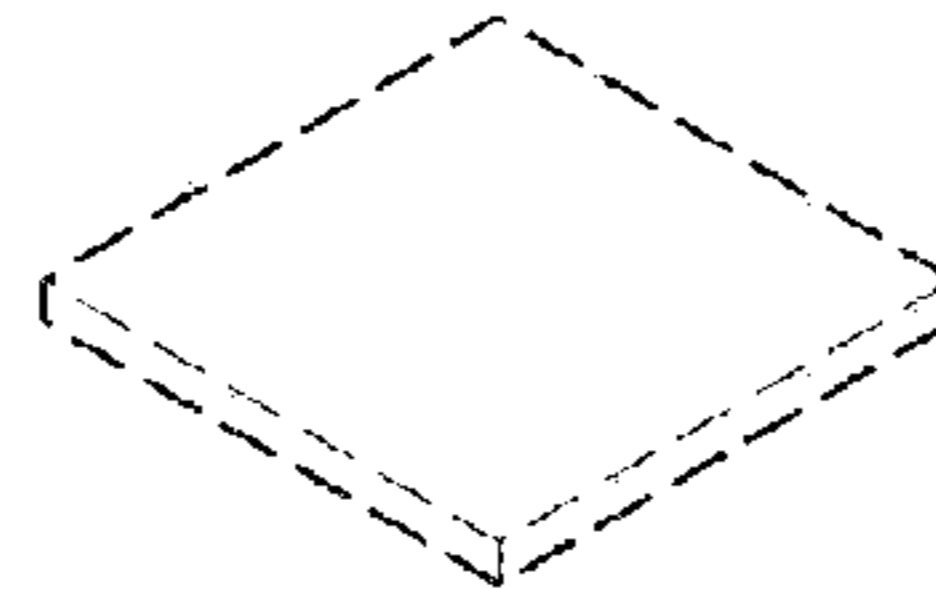
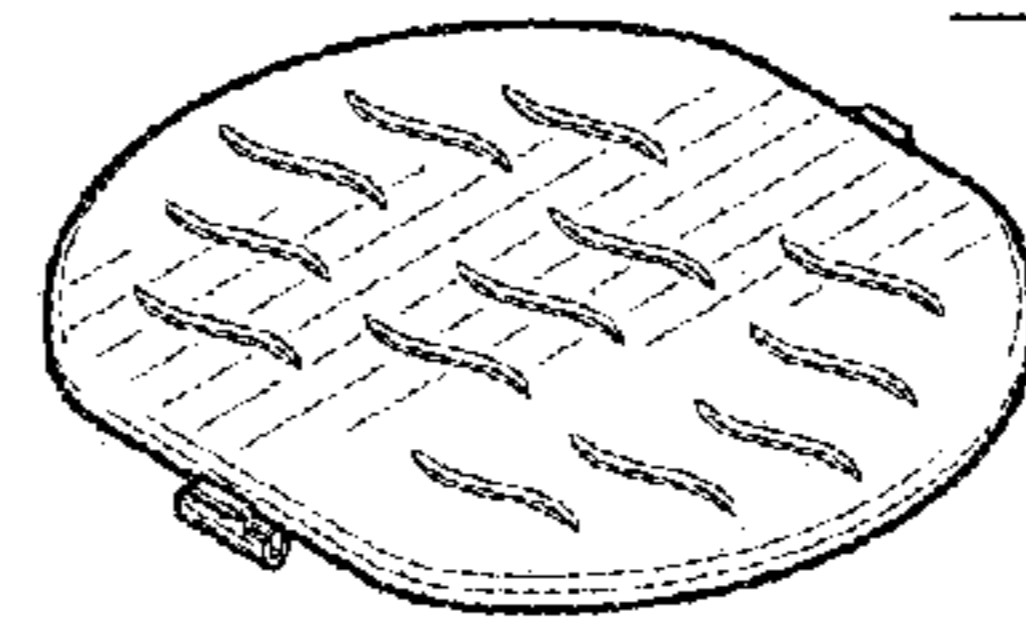


FIG. 10