



US00D915549S

(12) **United States Design Patent** (10) **Patent No.:** **US D915,549 S**
Berducat et al. (45) **Date of Patent:** **** Apr. 6, 2021**

(54) **WATER PURIFIER**

OTHER PUBLICATIONS

(71) Applicant: **Merck Patent GmbH**, Darmstadt (DE)

Milli-Q, posted Apr. 6, 2017 [online], [retrieved Dec. 15, 2020]. Retrieved from internet, <http://www.youtube.com/watch?v=XiB6OuV8S7A>(on or around timestamp 0:15 into the video)(Year:2017).*

(72) Inventors: **Christian Berducat**, Saint-Mandé (FR); **Pascal Delahaie**, La Celle Saint Cloud (FR)

* cited by examiner

(73) Assignee: **Merck Patent GmbH**, Darmstadt (DE)

Primary Examiner — Barbara Fox

(**) Term: **15 Years**

Assistant Examiner — Jamaal Rasheed

(21) Appl. No.: **29/690,434**

(74) *Attorney, Agent, or Firm* — Edell, Shapiro & Finnan, LLC

(22) Filed: **May 8, 2019**

(57) **CLAIM**

(30) **Foreign Application Priority Data**

The ornamental design for a water purifier, as shown and described.

Nov. 8, 2018 (EM) 005819893-0001

DESCRIPTION

(51) **LOC (13) Cl.** **23-01**

(52) **U.S. Cl.**

USPC **D23/209**; D23/207

(58) **Field of Classification Search**

USPC D23/207, 209; D7/306, 309; 210/401, 210/435

CPC B01D 35/30; B01D 35/14; B01D 35/0276; B01D 35/027; B01D 2201/30

See application file for complete search history.

FIG. 1 is a rear, right perspective view from above of a water purifier.

FIG. 2 is a front, left perspective view from above of the water purifier of FIG. 1.

FIG. 3 is a right side elevation view of the water purifier of FIG. 1.

FIG. 4 is a left side elevation view of the water purifier of FIG. 1.

FIG. 5 is a front elevation view of the water purifier of FIG. 1.

FIG. 6 is a rear elevation view of the water purifier of FIG. 1.

FIG. 7 is a bottom plan view of the water purifier of FIG. 1.

FIG. 8 is a top plan view of the water purifier of FIG. 1.

FIG. 9 is a rear, right perspective view from below of the water purifier of FIG. 1; and,

FIG. 10 is a front, left perspective view from below of the water purifier of FIG. 1.

(56) **References Cited**

U.S. PATENT DOCUMENTS

D328,777 S * 8/1992 Thalmann D23/209

D646,105 S * 10/2011 Deo D7/306

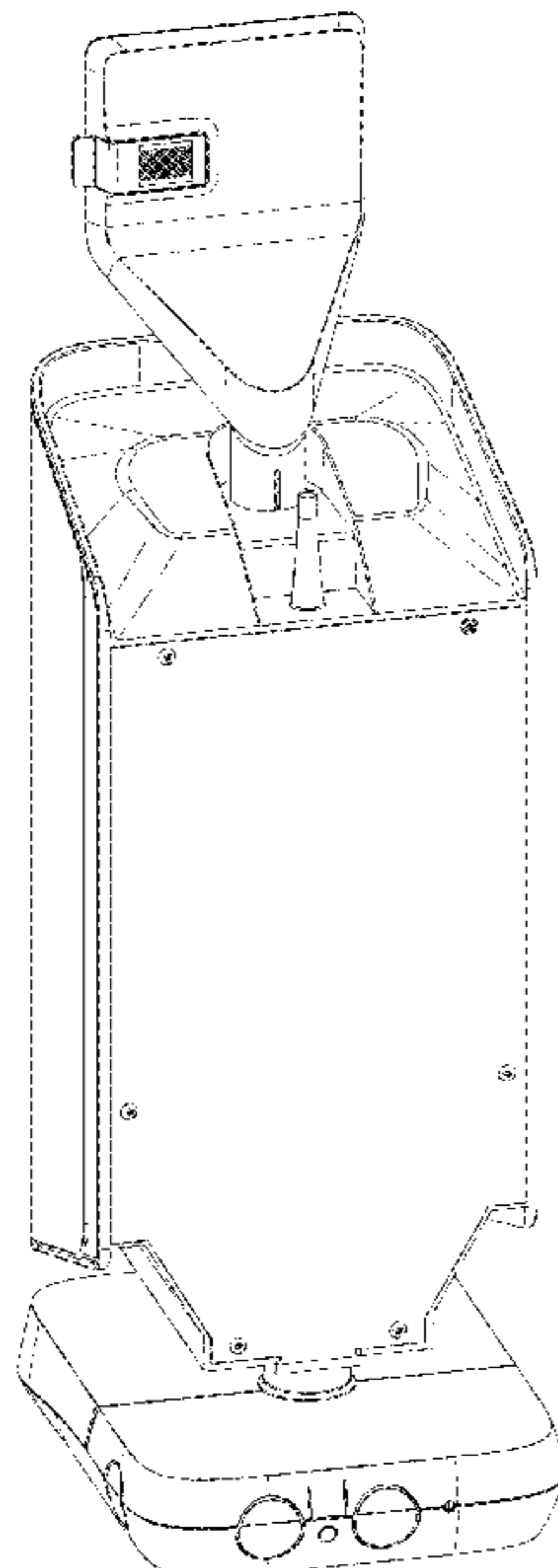
D730,691 S * 6/2015 Sanguinetti D7/412

D840,501 S * 2/2019 Konig D23/207

FOREIGN PATENT DOCUMENTS

JP D1602632 * 8/2017

1 Claim, 10 Drawing Sheets



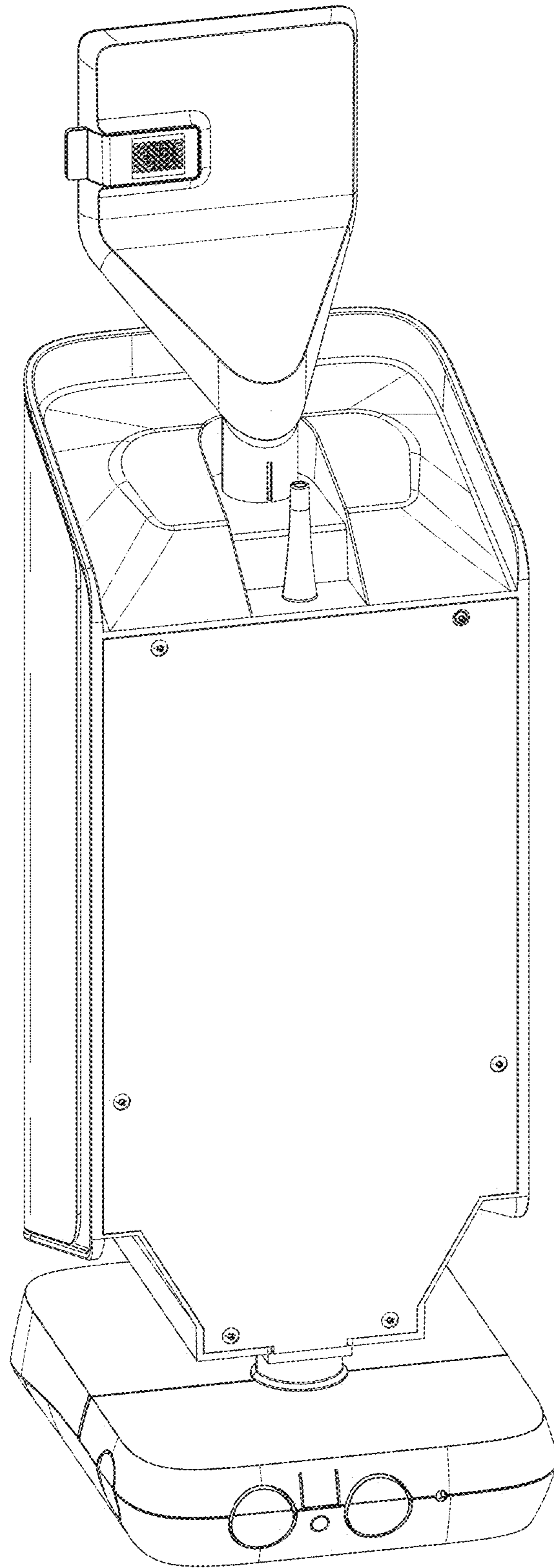


FIG.1

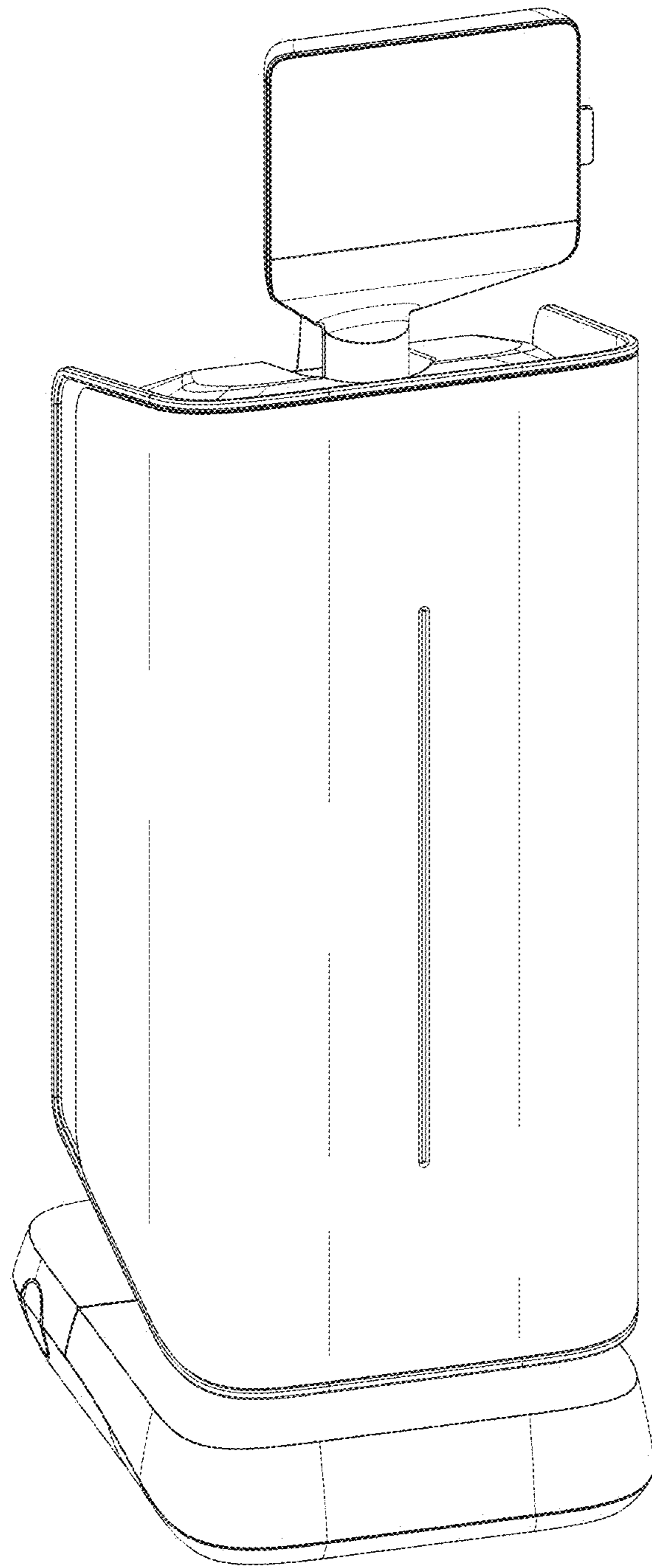


FIG.2

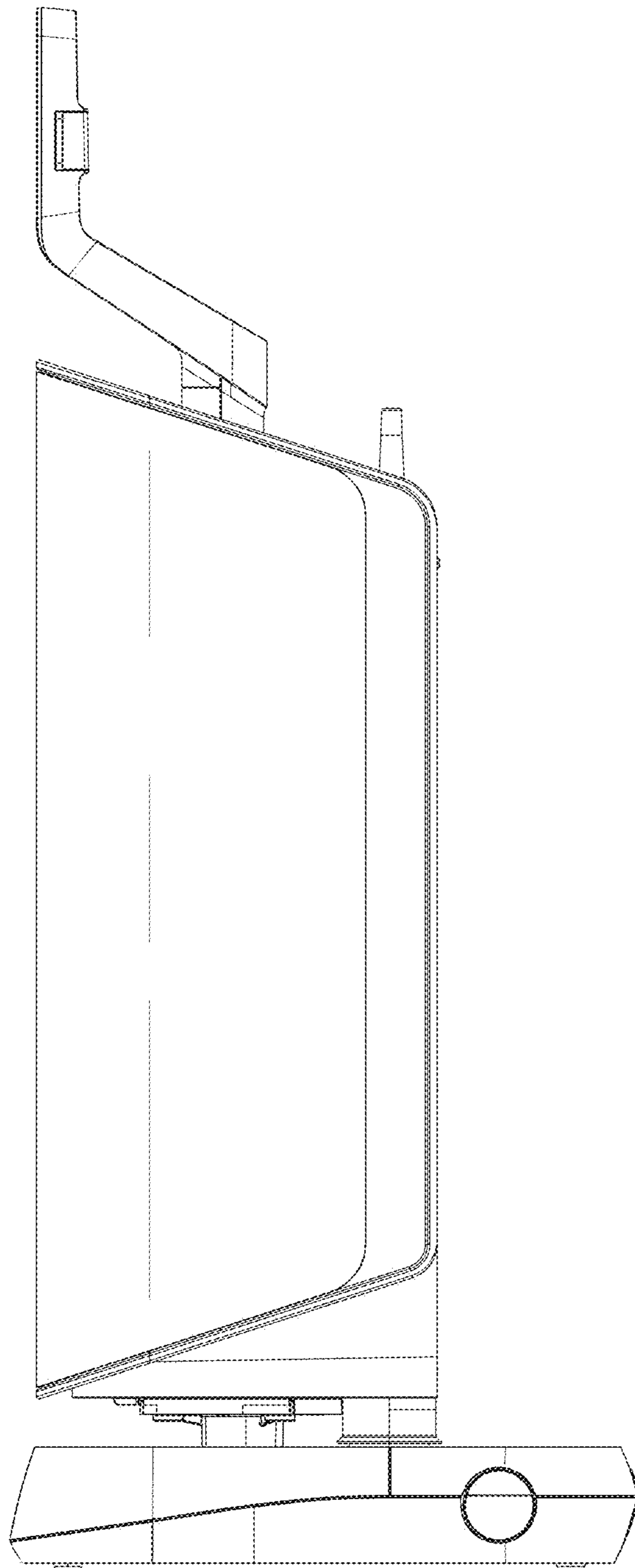


FIG. 3

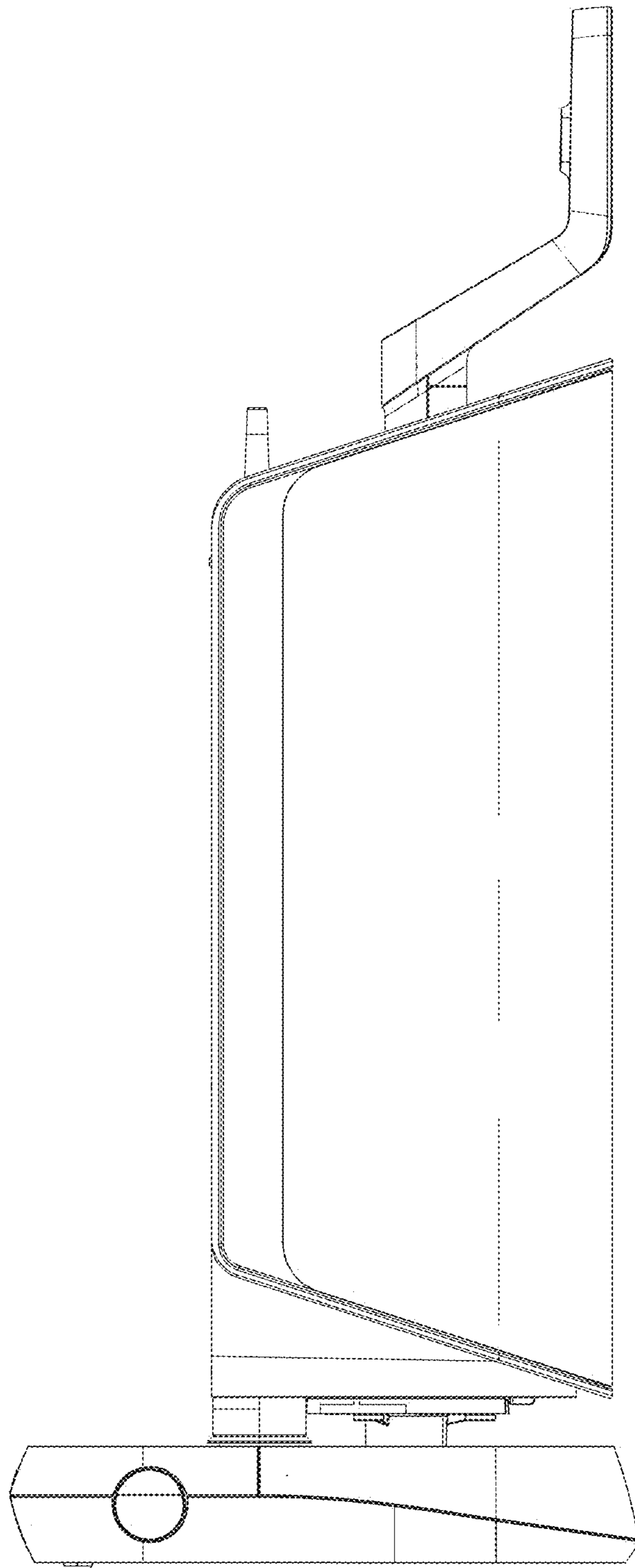


FIG.4

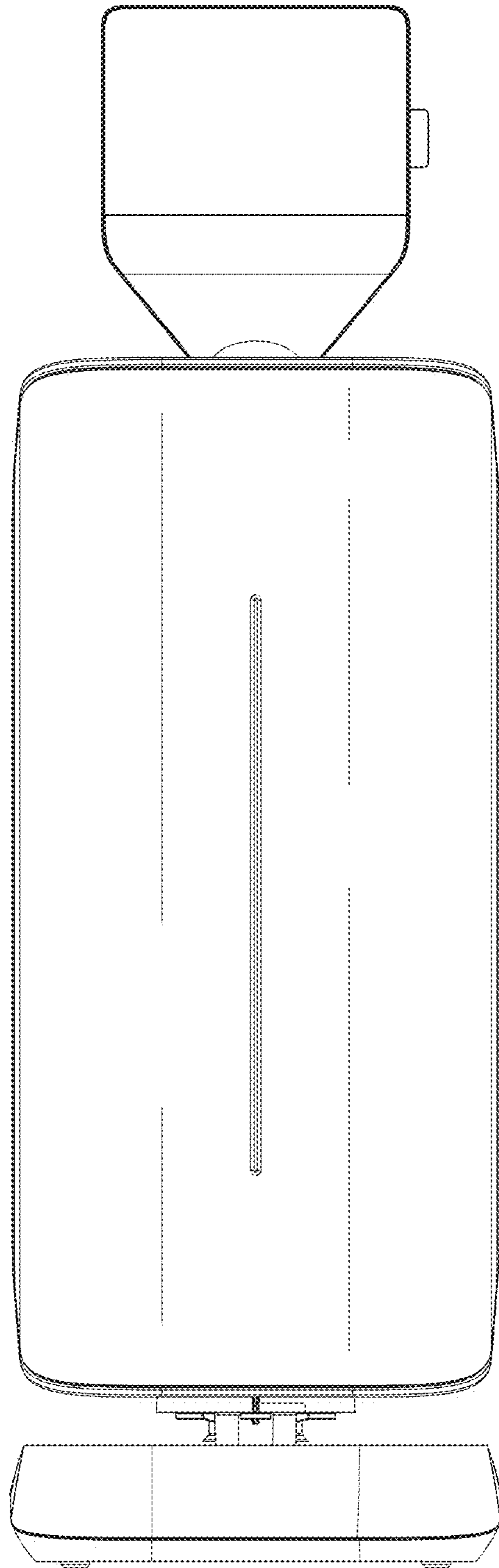


FIG. 5

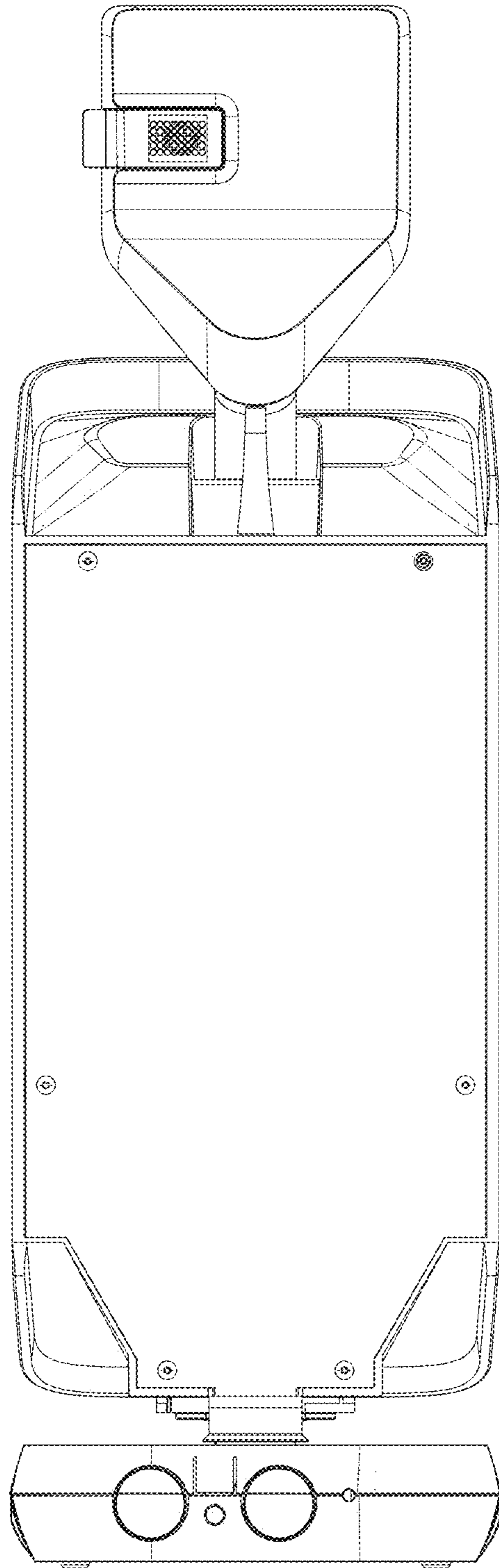


FIG.6

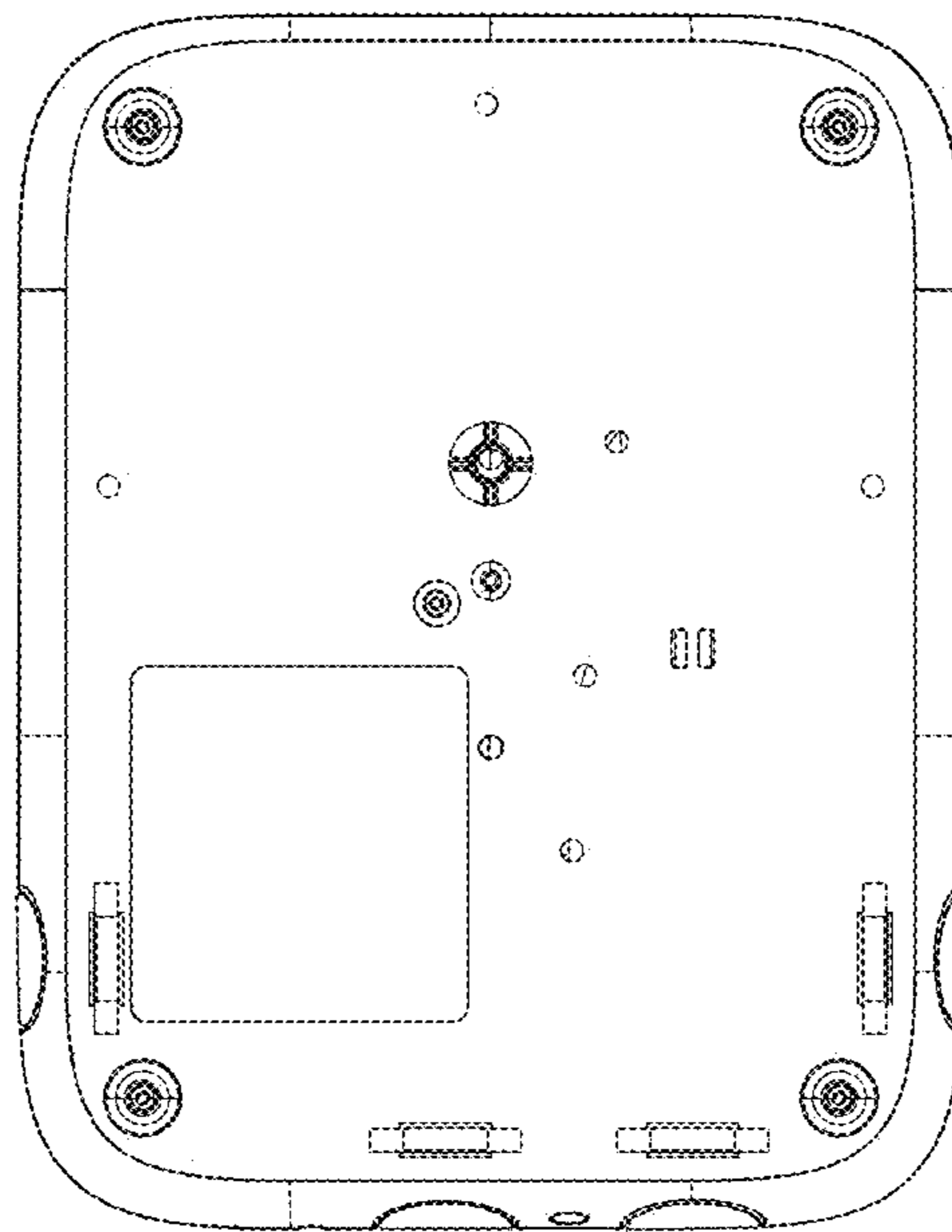


FIG.7

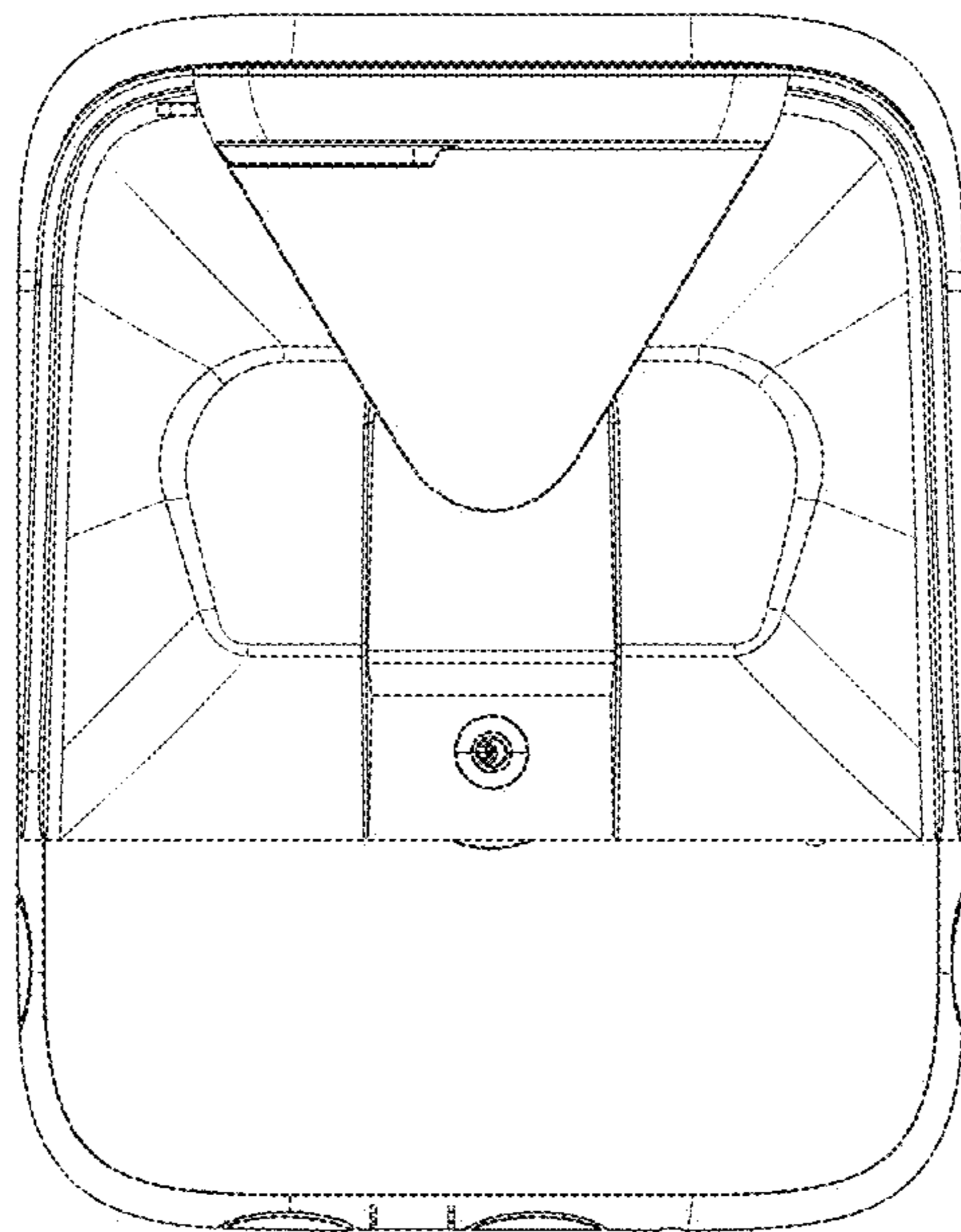


FIG.8

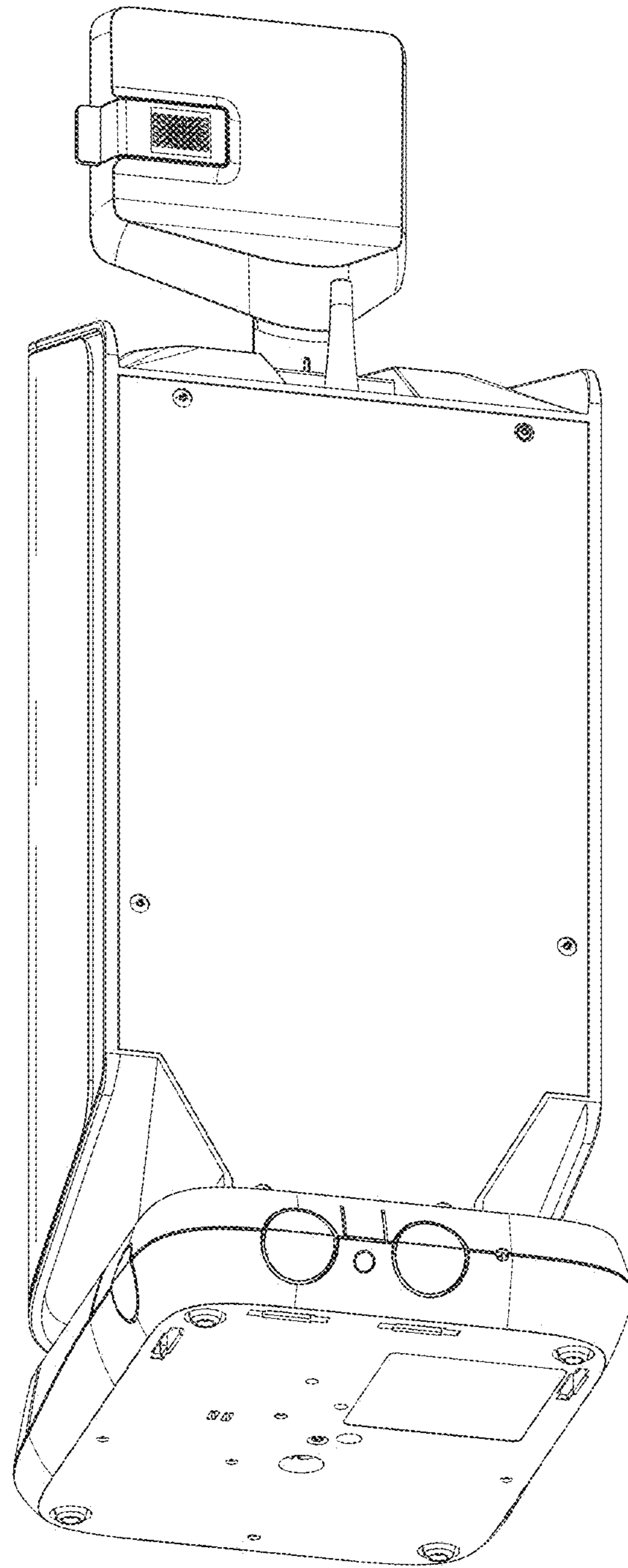


FIG.9

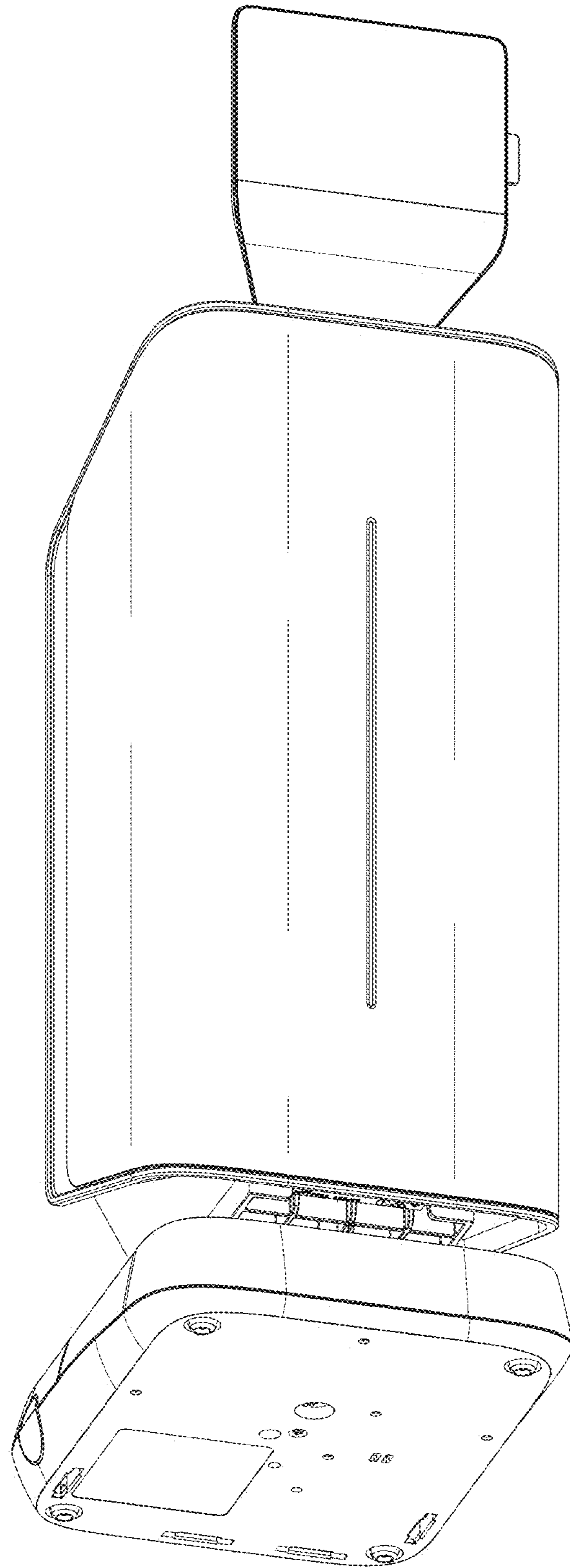


FIG.10