



US00D915548S

(12) **United States Design Patent** (10) **Patent No.:** **US D915,548 S**
Muller (45) **Date of Patent:** **** Apr. 6, 2021**

(54) **TOILET RIM CAGES**

(71) Applicant: **Henkel AG & Co. KGaA**, Düsseldorf (DE)

(72) Inventor: **Tomas Muller**, Hradec Kralove (CZ)

(73) Assignee: **Henkel AG & Co. KGaA**, Düsseldorf (DE)

(**) Term: **15 Years**

(21) Appl. No.: **29/683,444**

(22) Filed: **Mar. 13, 2019**

Related U.S. Application Data

(62) Division of application No. 35/504,537, filed on Sep. 11, 2017 (U.S. filing date under 35 U.S.C. 384), and having an international filing date of Sep. 11, 2017, now Pat. No. Des. 877,292.

(30) **Foreign Application Priority Data**

Mar. 24, 2017 (EP) 003822022-0001
Mar. 24, 2017 (EP) 003822022-0003
Mar. 24, 2017 (EP) 003822022-0010
Mar. 24, 2017 (EP) 003822022-0019

(51) **LOC (13) Cl.** **23-01**

(52) **U.S. Cl.**
USPC **D23/208**
CPC **A61L 9/00** (2013.01)

(58) **Field of Classification Search**

USPC D23/207, 208, 366, 368
CPC A61L 9/00; A61L 9/02; A61L 9/03; A61L 9/032; A61L 9/035; A61L 9/037; A61L 9/04; A61L 9/12; A61L 9/22; C11D 17/041; C11D 17/0056; E03D 9/032; E03D 9/037; E03D 9/038

See application file for complete search history.

(56) **References Cited**

U.S. PATENT DOCUMENTS

D656,575 S	3/2012	Muhlhausen	
D656,576 S	3/2012	Muhlhausen	
D659,793 S	5/2012	Muhlhausen	
D679,778 S	4/2013	Gerhards	
D689,167 S	9/2013	Gerhards	
D720,427 S	12/2014	Wang et al.	
D722,154 S	2/2015	Muller	
D762,810 S *	8/2016	Venini	D23/208
D772,378 S *	11/2016	Gerhards	D23/208
D787,631 S *	5/2017	Gerhards	D23/208
D787,633 S	5/2017	Gerhards et al.	
D788,260 S	5/2017	Gerhards et al.	
D789,485 S	6/2017	Hale et al.	
D789,487 S	6/2017	Gerhards et al.	
D790,036 S	6/2017	Gerhards et al.	
D790,658 S	6/2017	Gerhards et al.	
D791,911 S *	7/2017	Muller	D23/208
D795,387 S	8/2017	Gerhards et al.	
D806,208 S *	12/2017	Gerhards	D23/208
D823,984 S *	7/2018	Muller	D23/208
D830,502 S *	10/2018	Nykowski	D23/208
D830,504 S	10/2018	Bos et al.	
D830,505 S *	10/2018	Bos	D23/208
D832,974 S *	11/2018	Muller	D23/208
D856,471 S *	8/2019	Muller	D23/208

Primary Examiner — Richard E Chilcot

(74) *Attorney, Agent, or Firm* — The Webb Law Firm

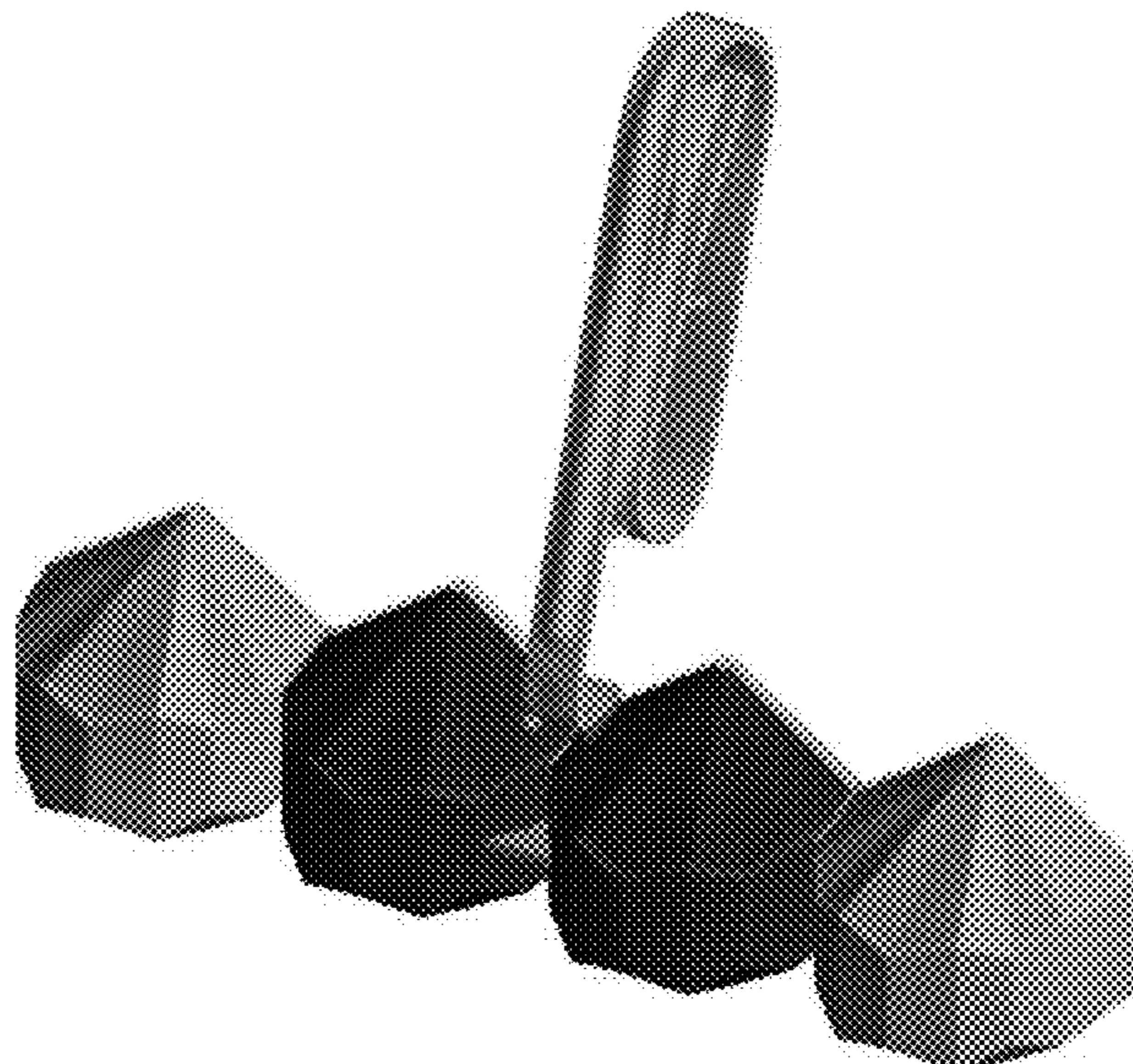
(57) **CLAIM**

The ornamental design for toilet rim cages, as shown and described.

DESCRIPTION

FIG. 1 is a front elevation view of toilet rim cages, showing my new design;
FIG. 2 is a rear elevation view thereof;
FIG. 3 is a right side elevation view thereof;
FIG. 4 is a left side elevation view thereof;
FIG. 5 is a top view thereof;
FIG. 6 is a bottom view thereof; and,
FIG. 7 is an upper right front perspective view thereof.

1 Claim, 7 Drawing Sheets



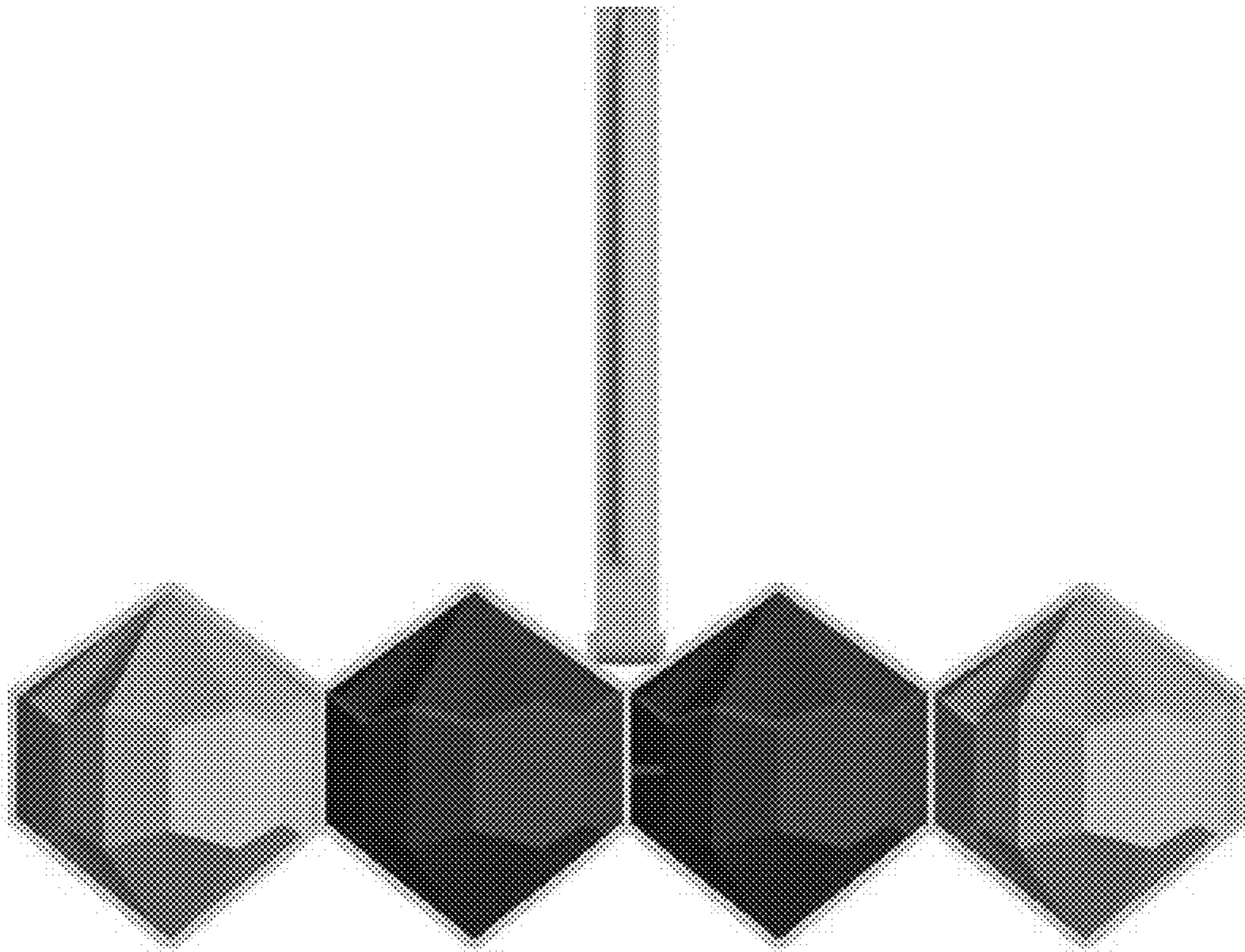


FIG. 1

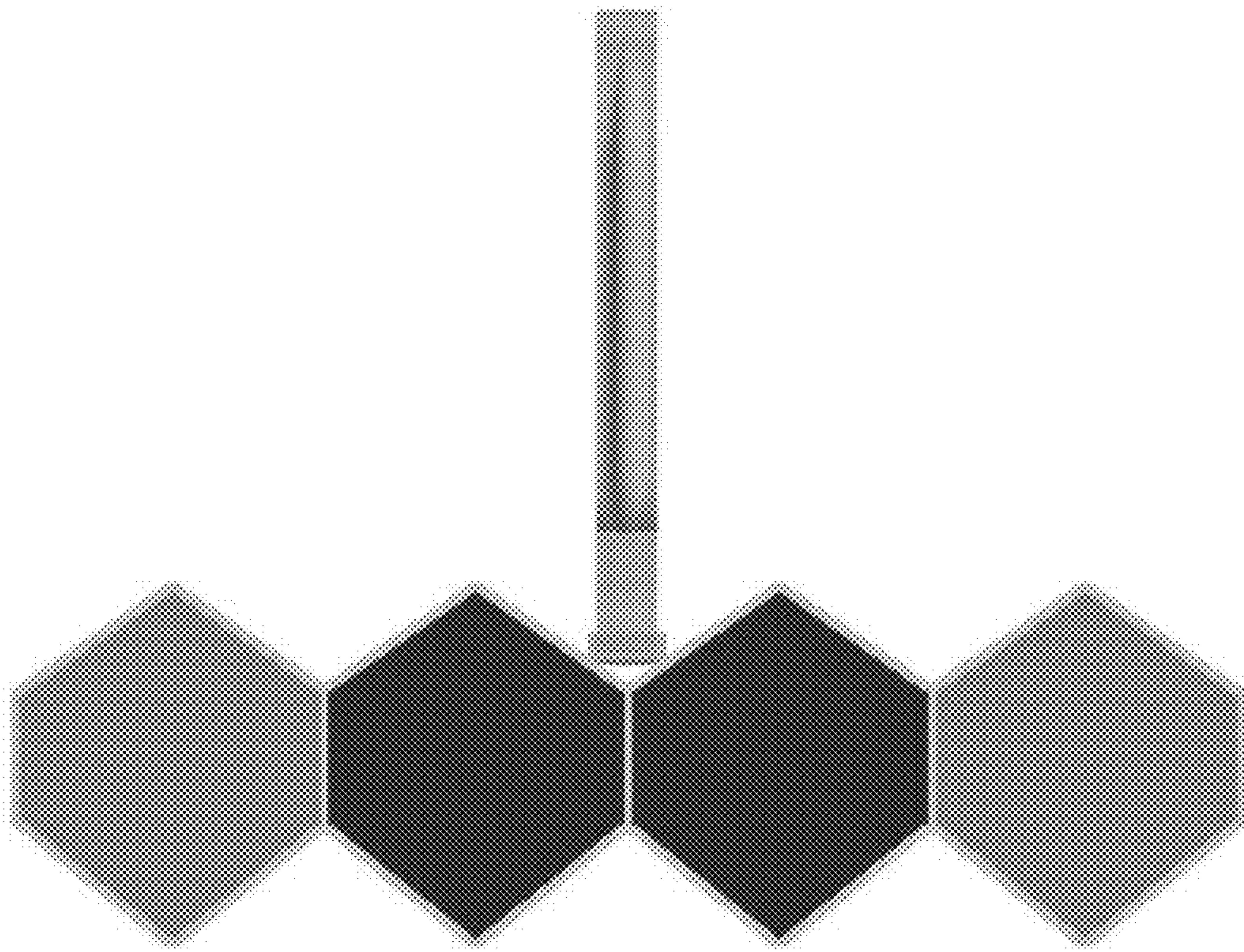


FIG. 2

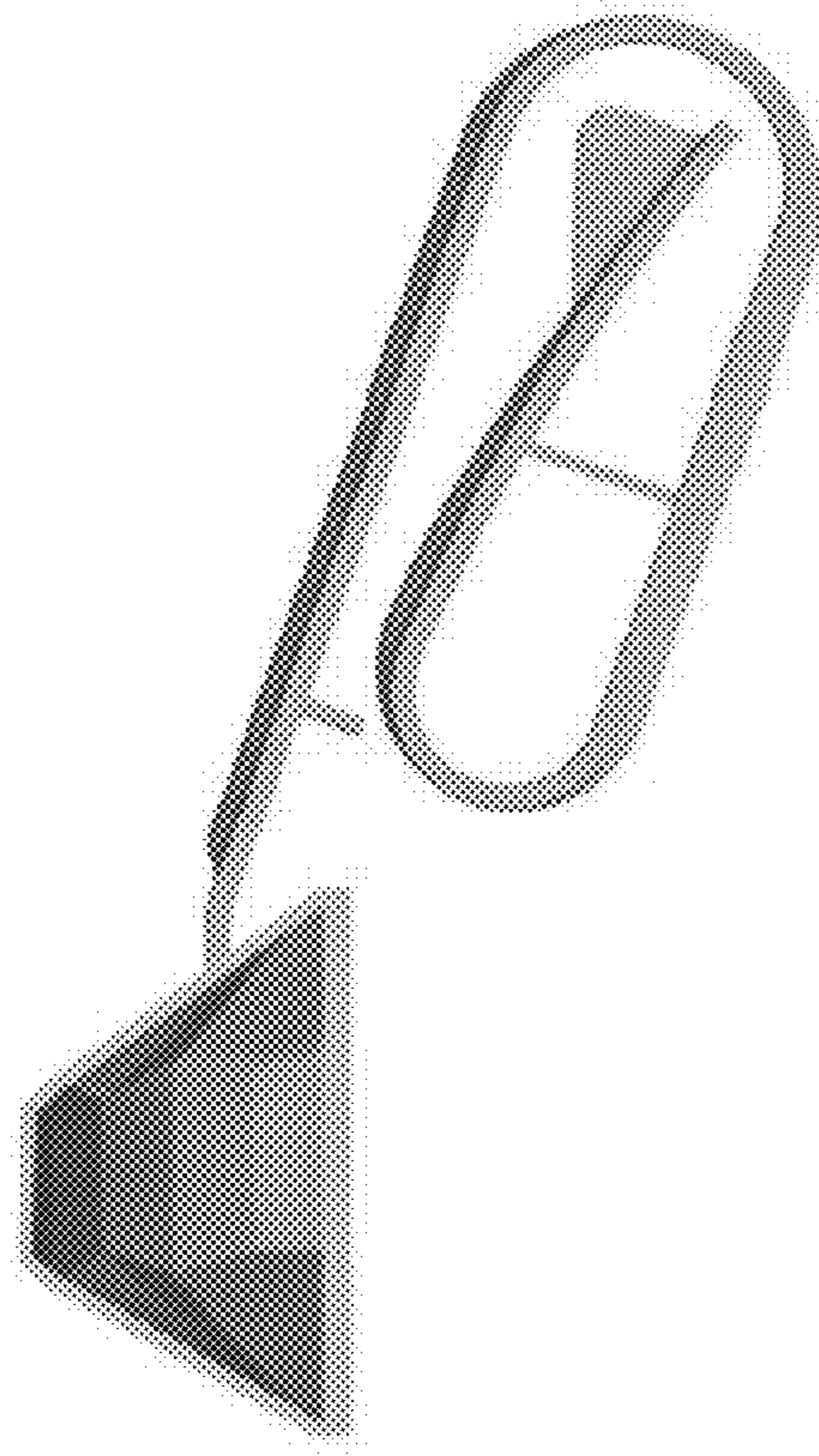


FIG. 3

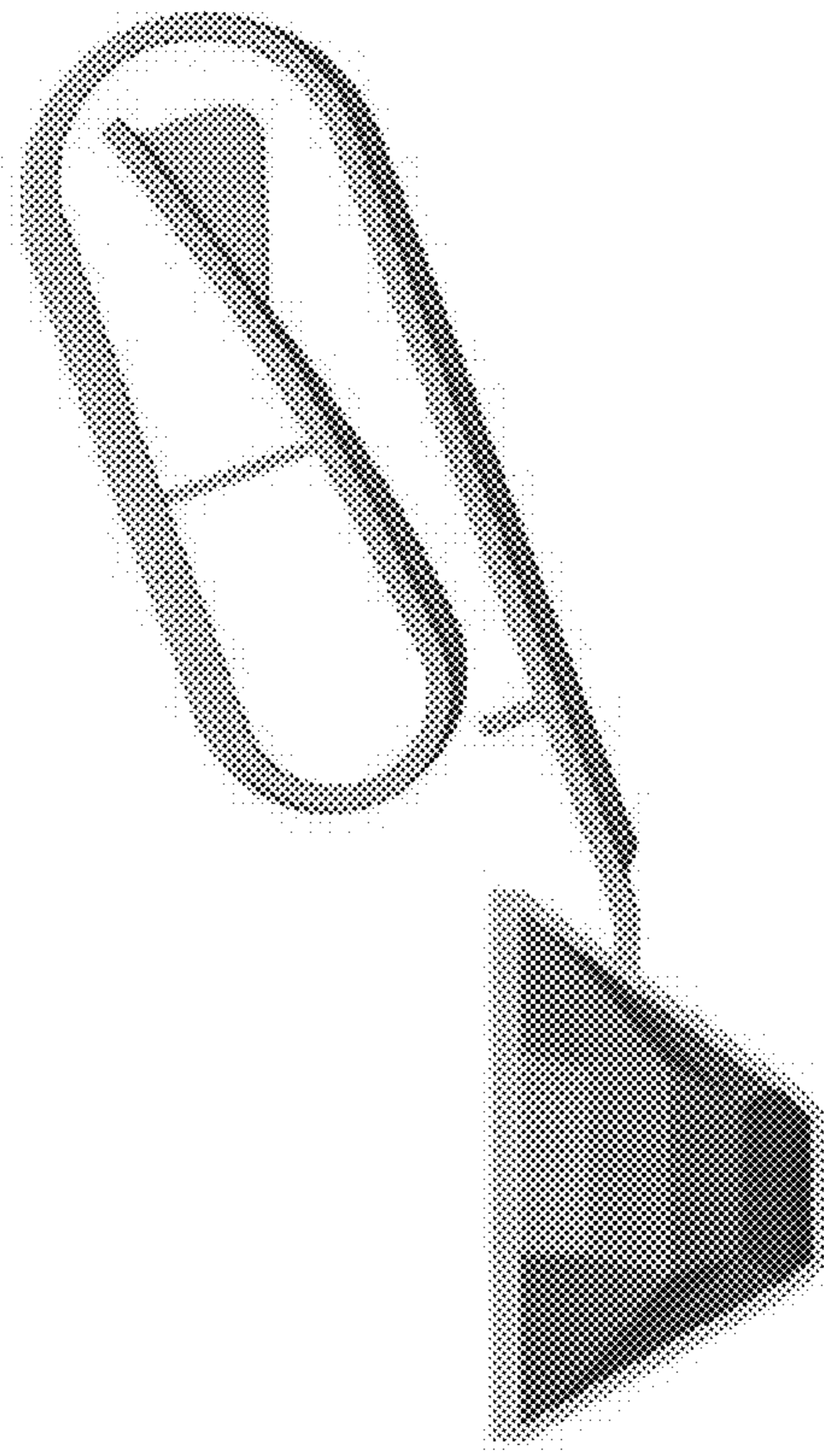


FIG. 4

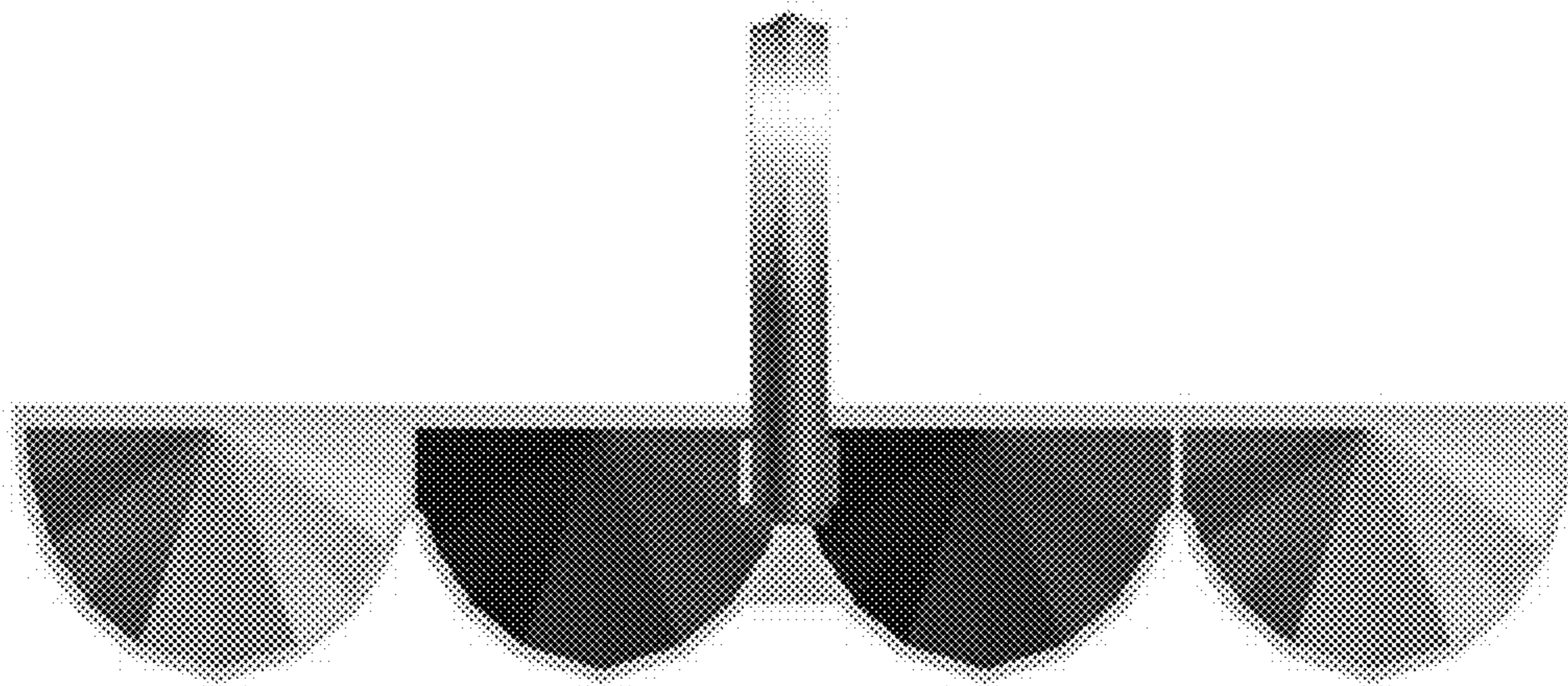


FIG. 5

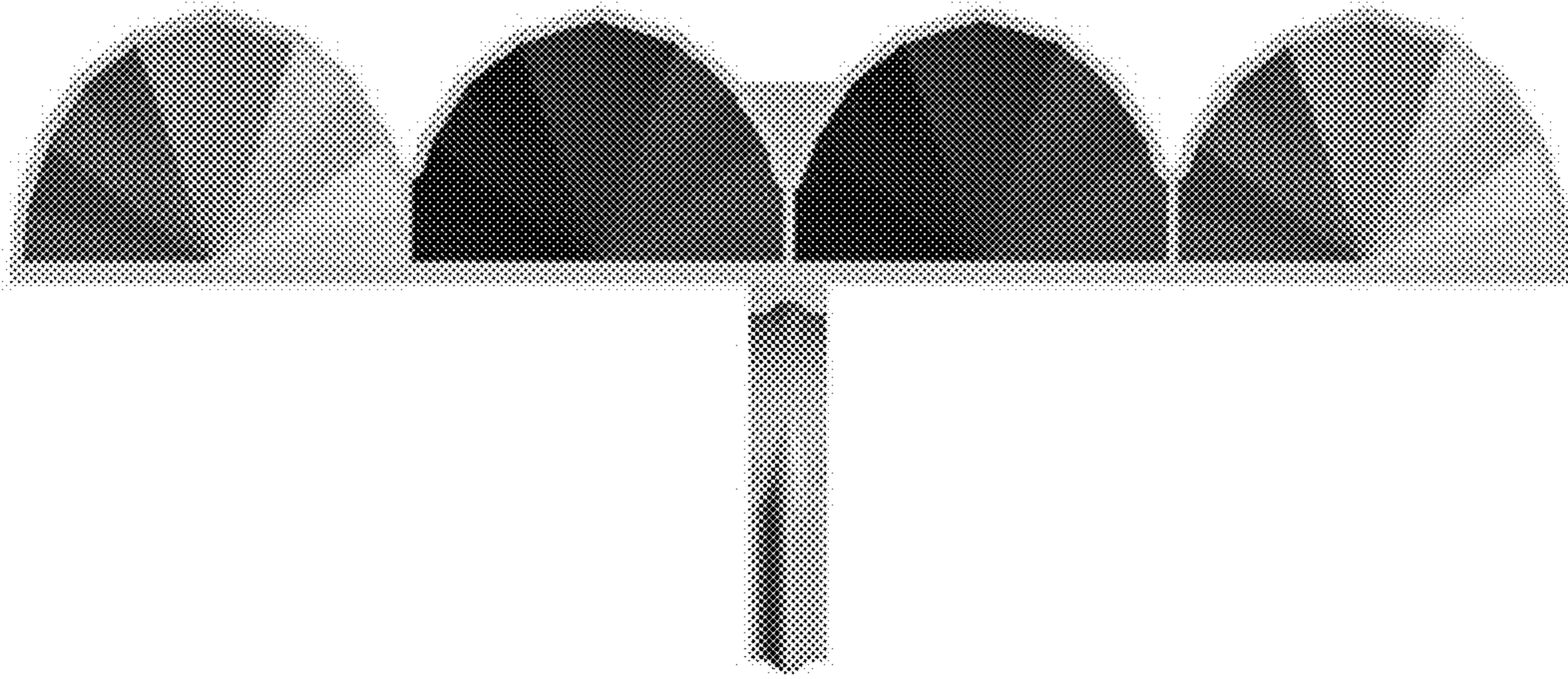


FIG. 6

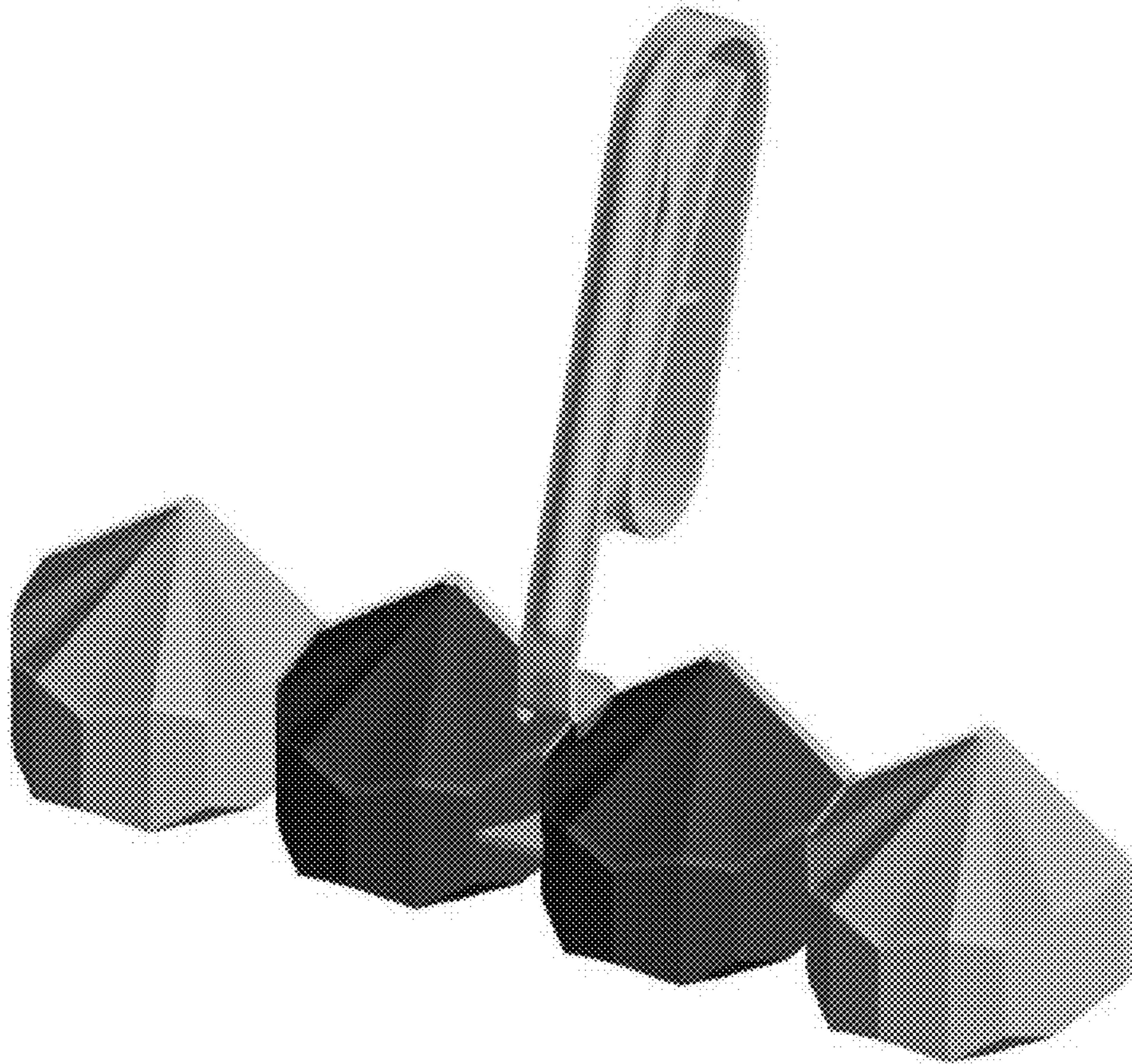


FIG. 7