



US00D915546S

(12) **United States Design Patent** (10) **Patent No.:** **US D915,546 S**  
**Furuya** (45) **Date of Patent:** **\*\* Apr. 6, 2021**

(54) **FISHING REEL PORTION**

(71) Applicant: **Shimano Inc.**, Osaka (JP)

(72) Inventor: **Nobuo Furuya**, Osaka (JP)

(73) Assignee: **Shimano Inc.**, Osaka (JP)

(\*\*) Term: **15 Years**

(21) Appl. No.: **29/726,037**

(22) Filed: **Feb. 28, 2020**

(30) **Foreign Application Priority Data**

Oct. 25, 2019 (JP) ..... 2019-023778

(51) **LOC (13) Cl.** ..... **22-05**

(52) **U.S. Cl.**  
USPC ..... **D22/141**

(58) **Field of Classification Search**

USPC ..... D22/137-142; 43/19-22; 242/223-224,  
242/234-240, 255, 310-312, 318, 322,  
242/370

CPC ..... A01K 89/00; A01K 89/0183; A01K  
89/0192; A01K 89/01121; A01K 89/09;  
A01K 89/004; A01K 89/006; A01K  
89/015

See application file for complete search history.

(56) **References Cited**

**U.S. PATENT DOCUMENTS**

- D578,178 S \* 10/2008 Sekimoto ..... D22/140
- D579,075 S \* 10/2008 Sekimoto ..... D22/140
- D767,083 S 9/2016 Niitsuma
- D846,061 S 4/2019 Niitsuma
- 2015/0090824 A1\* 4/2015 Ikebukuro ..... A01K 89/015  
242/310
- 2019/0045766 A1\* 2/2019 Oogose ..... A01K 89/006

\* cited by examiner

*Primary Examiner* — Catherine R Oliver-Garcia  
(74) *Attorney, Agent, or Firm* — Global IP Counselors, LLP

(57) **CLAIM**

An ornamental design for a fishing reel portion, as shown and described.

**DESCRIPTION**

FIG. 1 is a first perspective view of a fishing reel that includes a fishing reel portion in accordance with my new design;

FIG. 2 is a second perspective view of the fishing reel illustrated in FIG. 1 that includes the fishing reel portion;

FIG. 3 is a front elevational view of the fishing reel illustrated in FIG. 1 that includes the fishing reel portion;

FIG. 4 is a rear elevational view of the fishing reel illustrated in FIG. 1 that includes the fishing reel portion;

FIG. 5 is a top plan view of the fishing reel illustrated in FIG. 1 that includes the fishing reel portion;

FIG. 6 is a bottom plan view of the fishing reel illustrated in FIG. 1 that includes the fishing reel portion;

FIG. 7 is a first side elevational view of the fishing reel illustrated in FIG. 1 that includes the fishing reel portion but in which the fishing reel portion is completely hidden from sight;

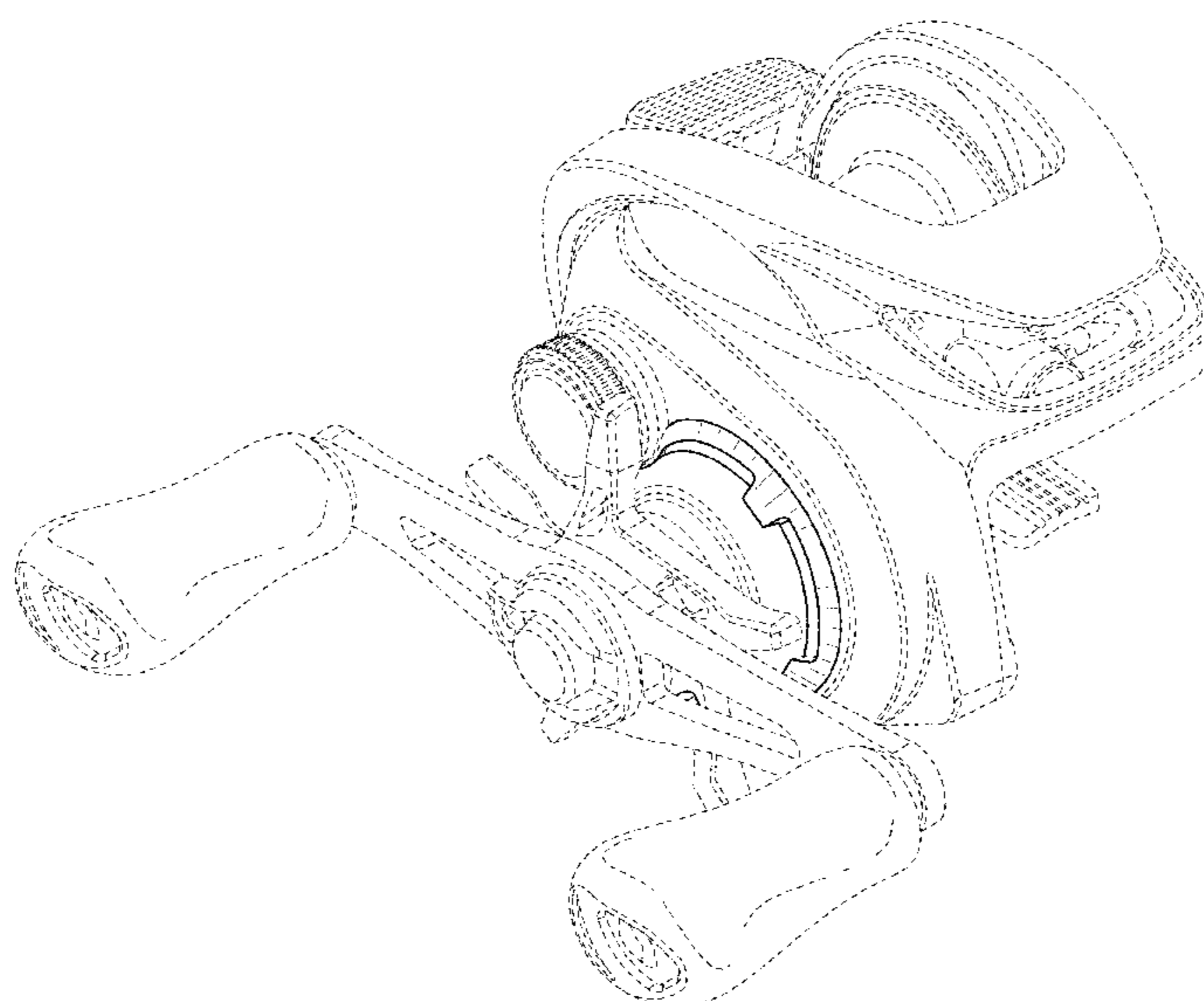
FIG. 8 is a second side view of the fishing reel illustrated in FIG. 1 that includes the fishing reel portion;

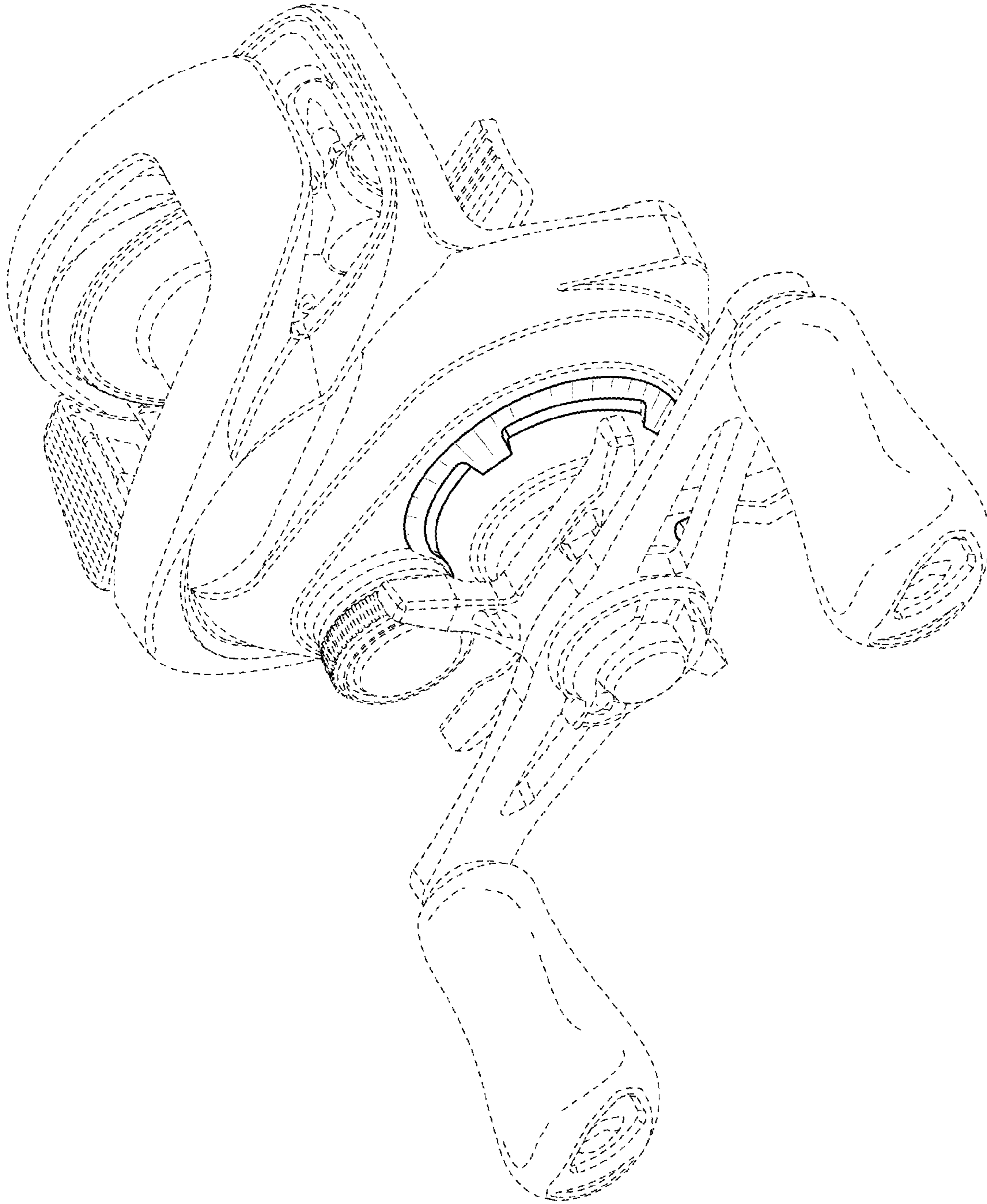
FIG. 9 is a first enlarged, partial perspective view of a part of the fishing reel illustrated in FIG. 1 that includes the fishing reel portion; and,

FIG. 10 is a second enlarged, partial perspective view of a part of the fishing reel illustrated in FIG. 1 that includes the fishing reel portion.

In the drawings, the broken line illustration of the environmental structure (the remaining structure of the fishing reel) in the drawings is not part of the claimed design. In other words, the broken line portion of the fishing reel does not form part of the claimed design.

**1 Claim, 7 Drawing Sheets**





**FIG. 1**

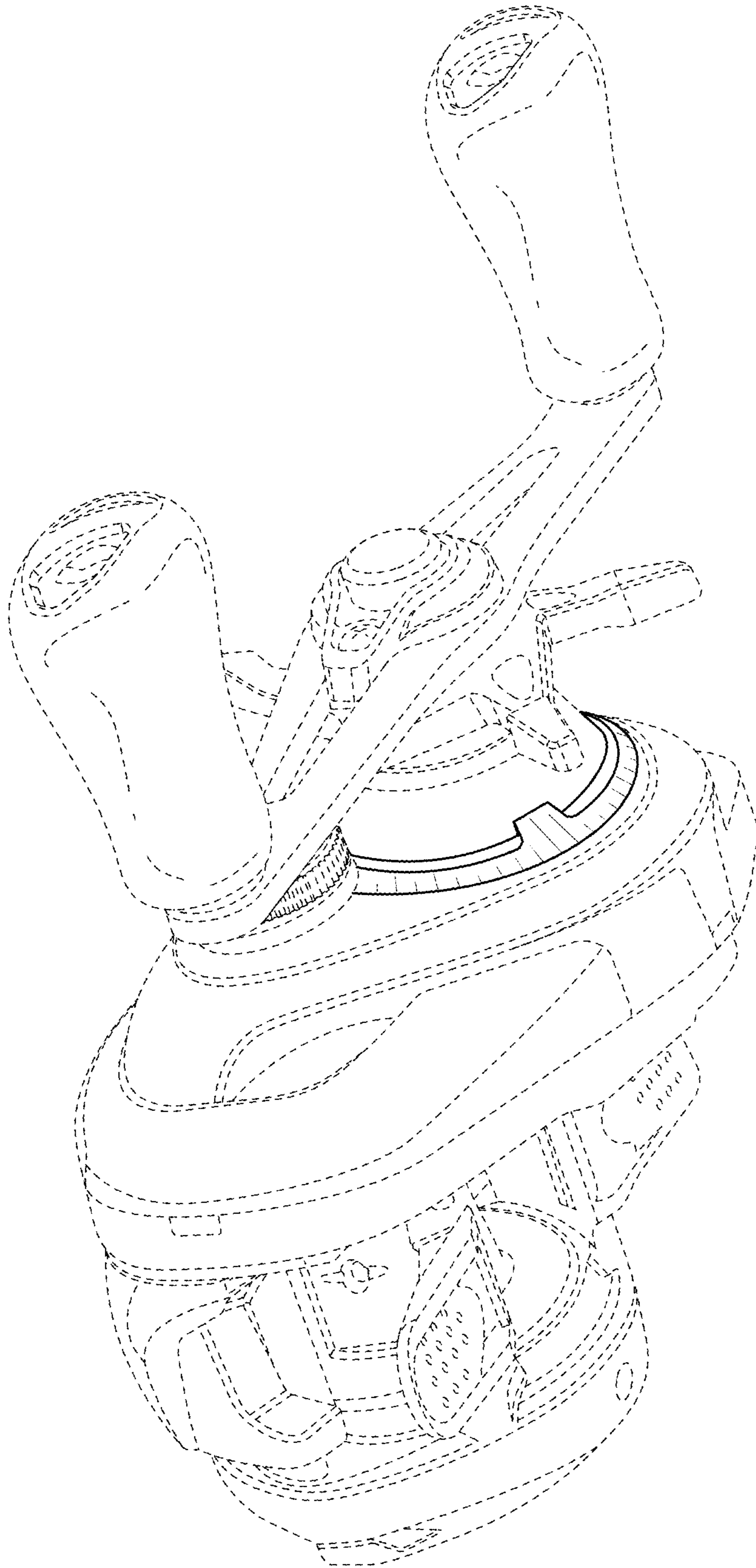
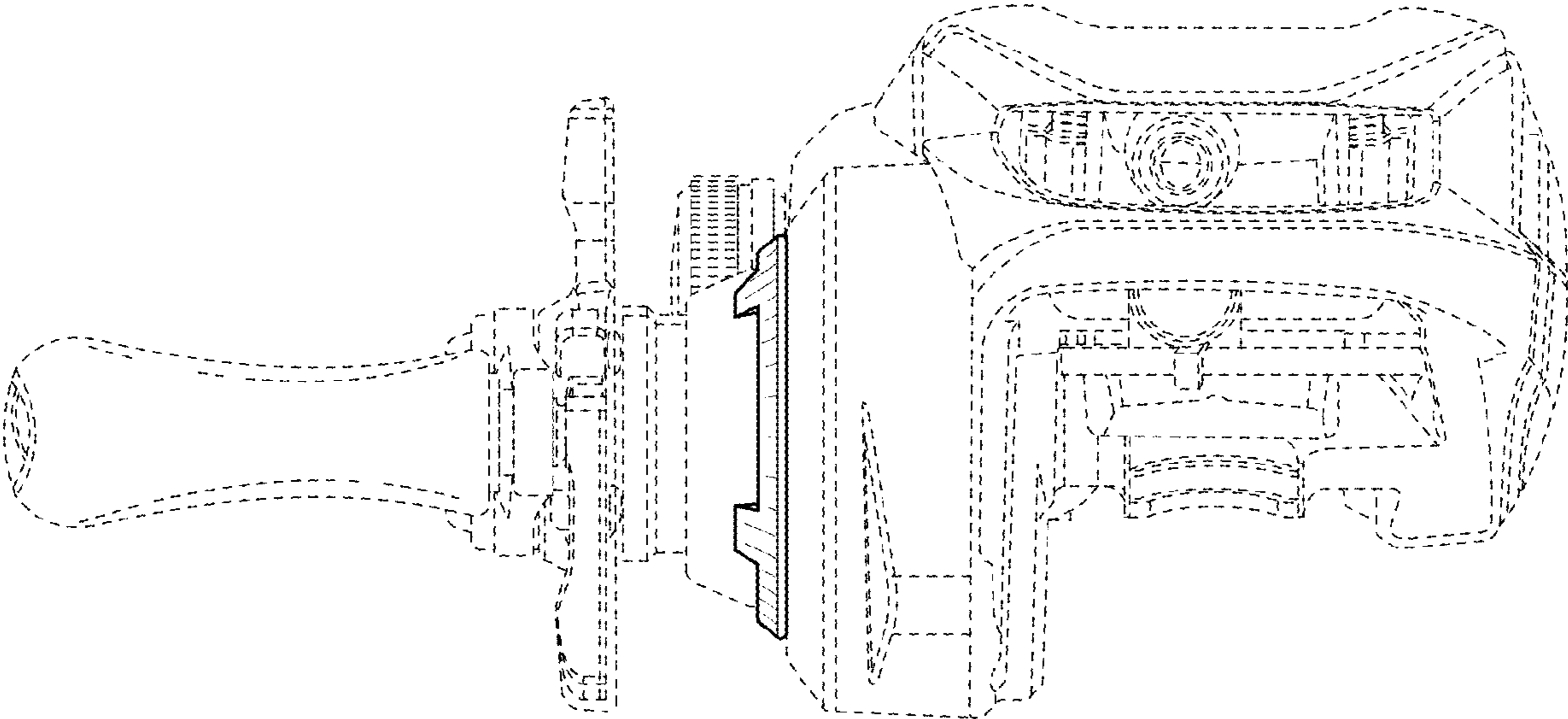
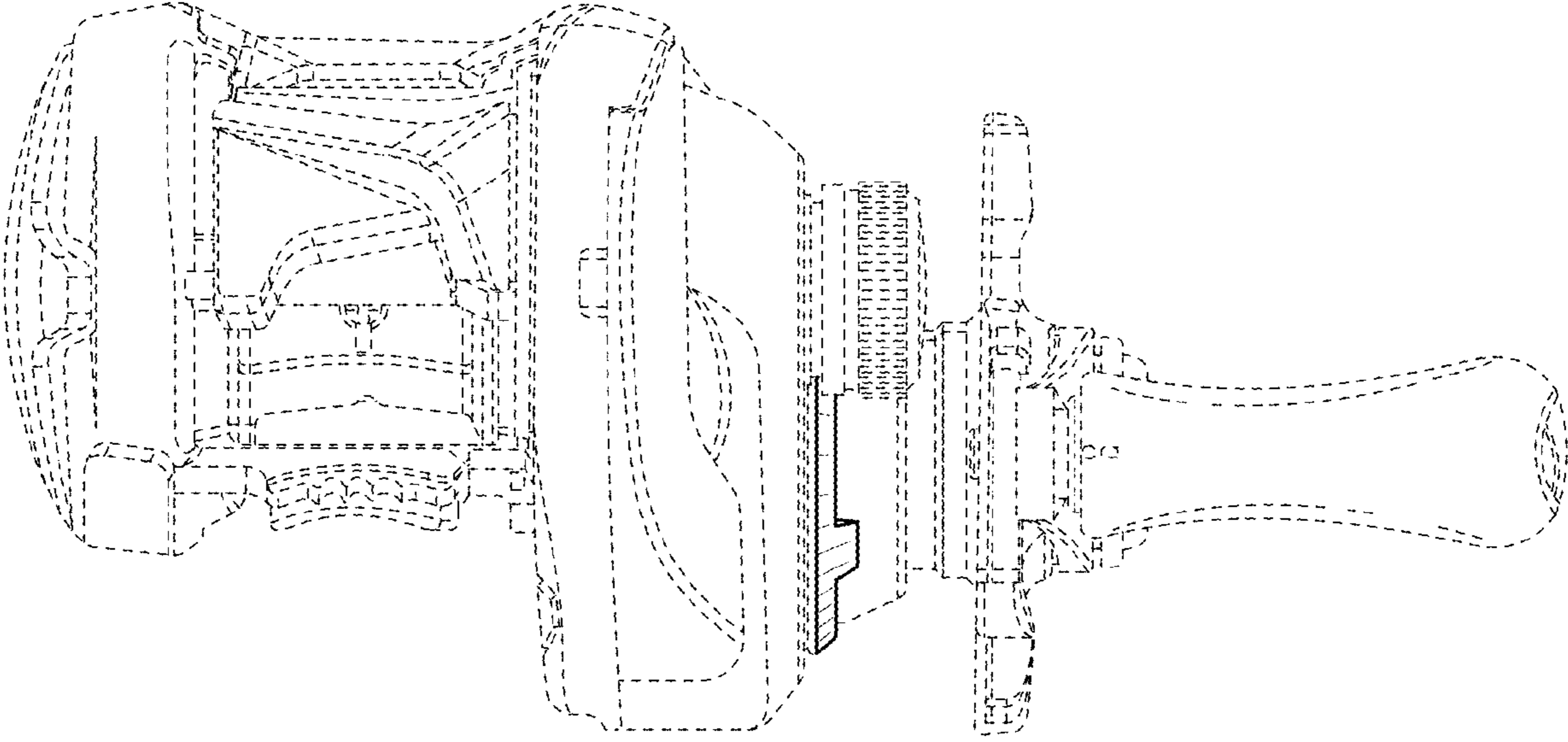


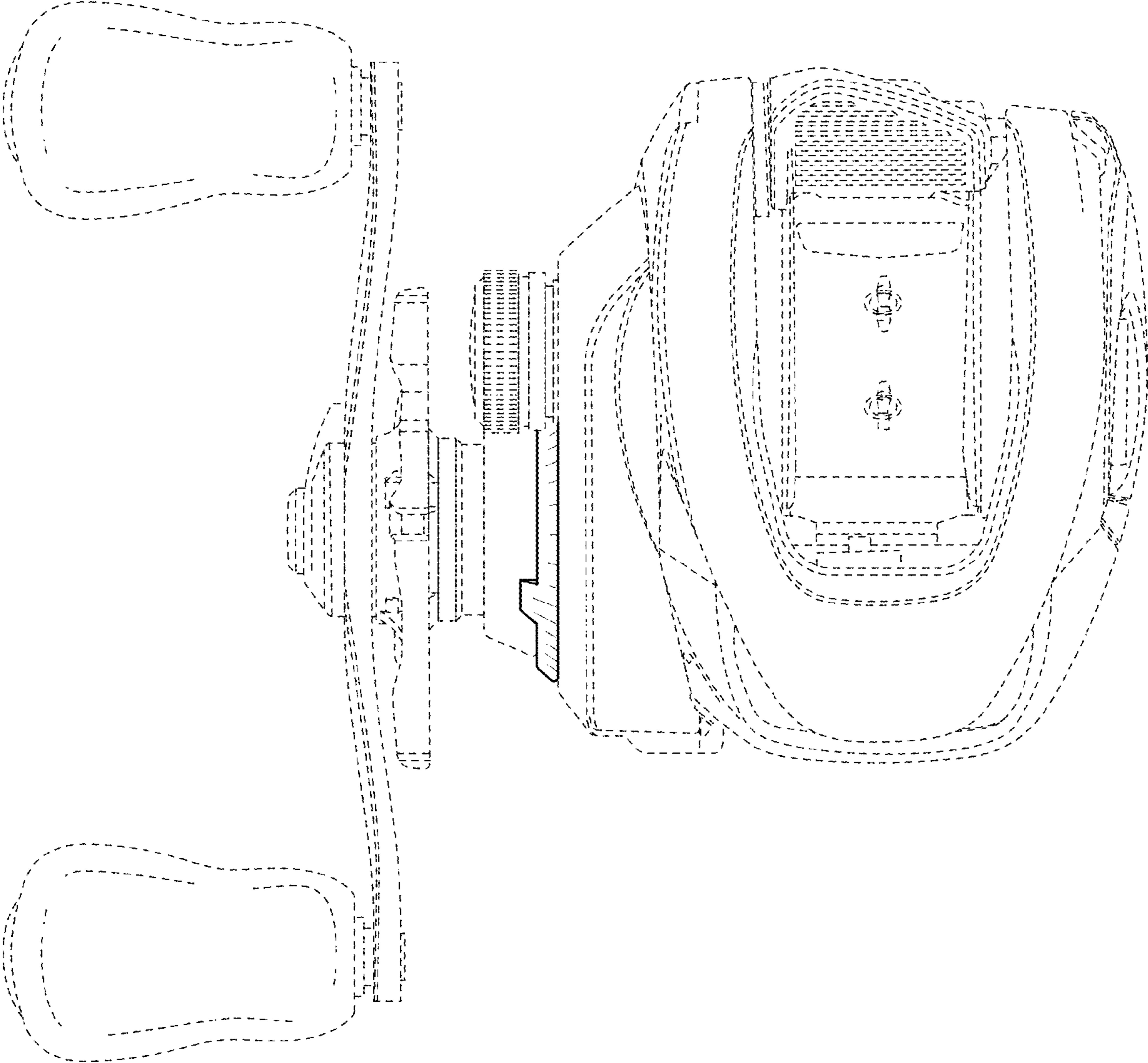
FIG. 2



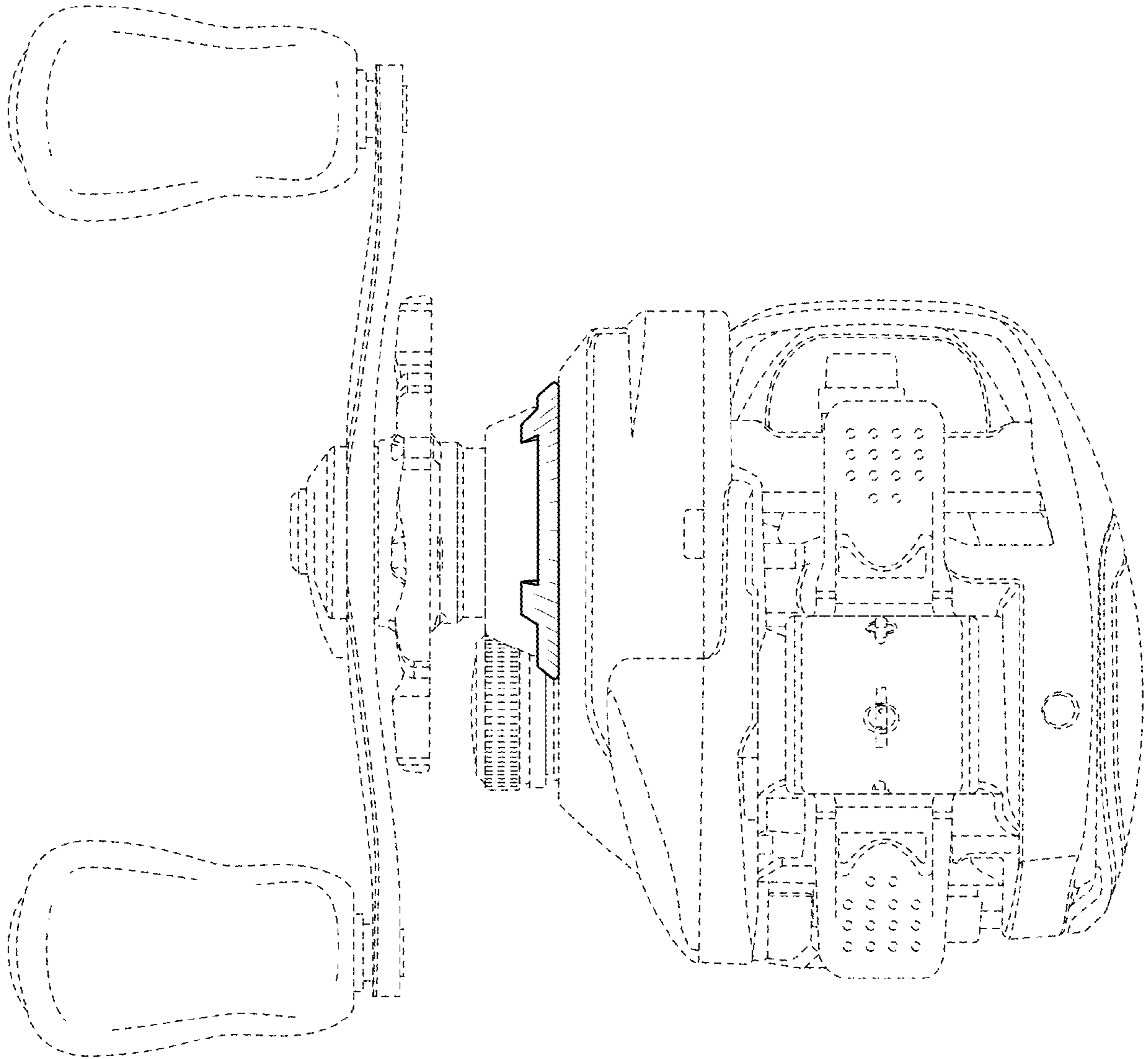
**FIG. 3**



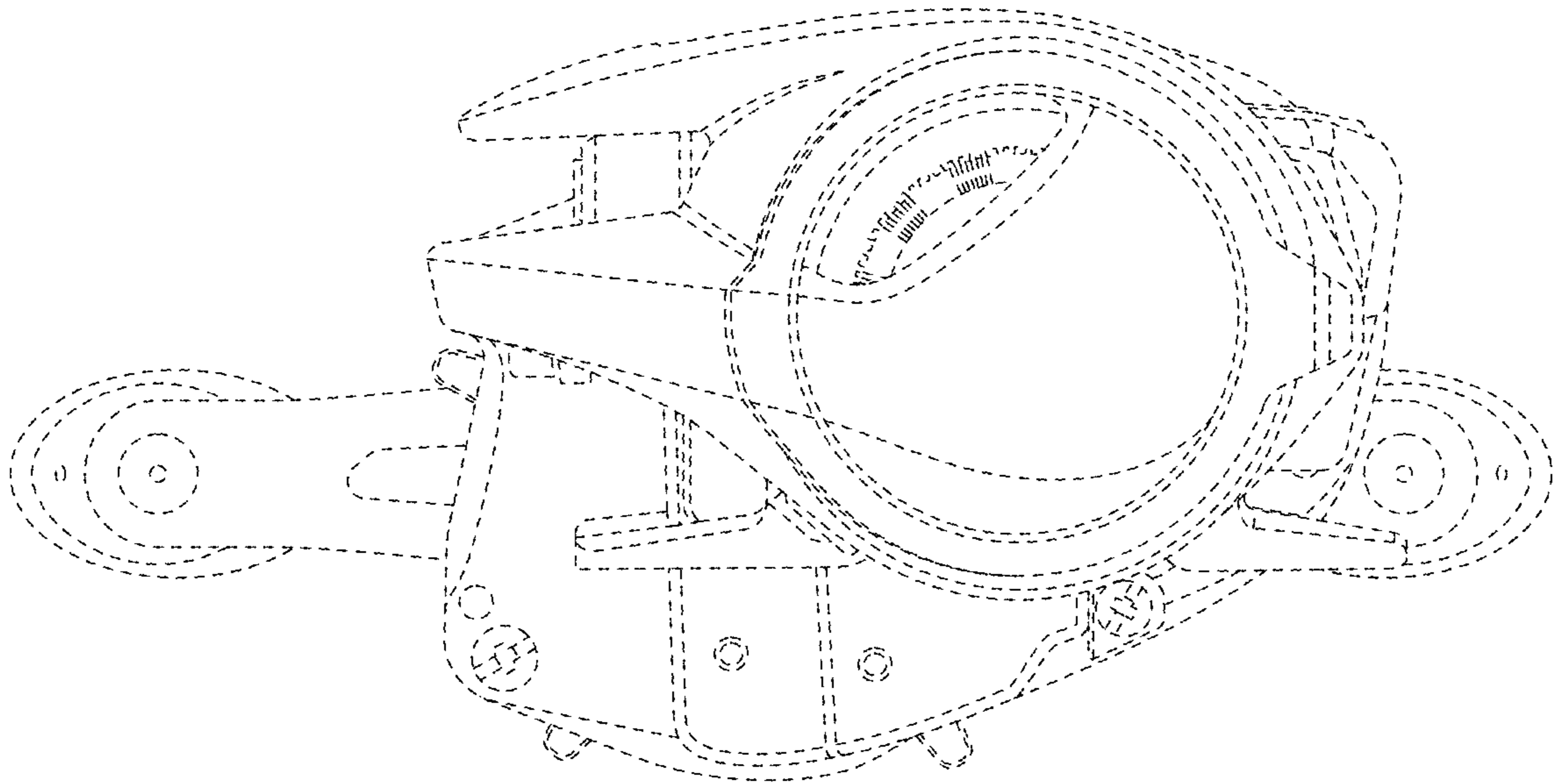
**FIG. 4**



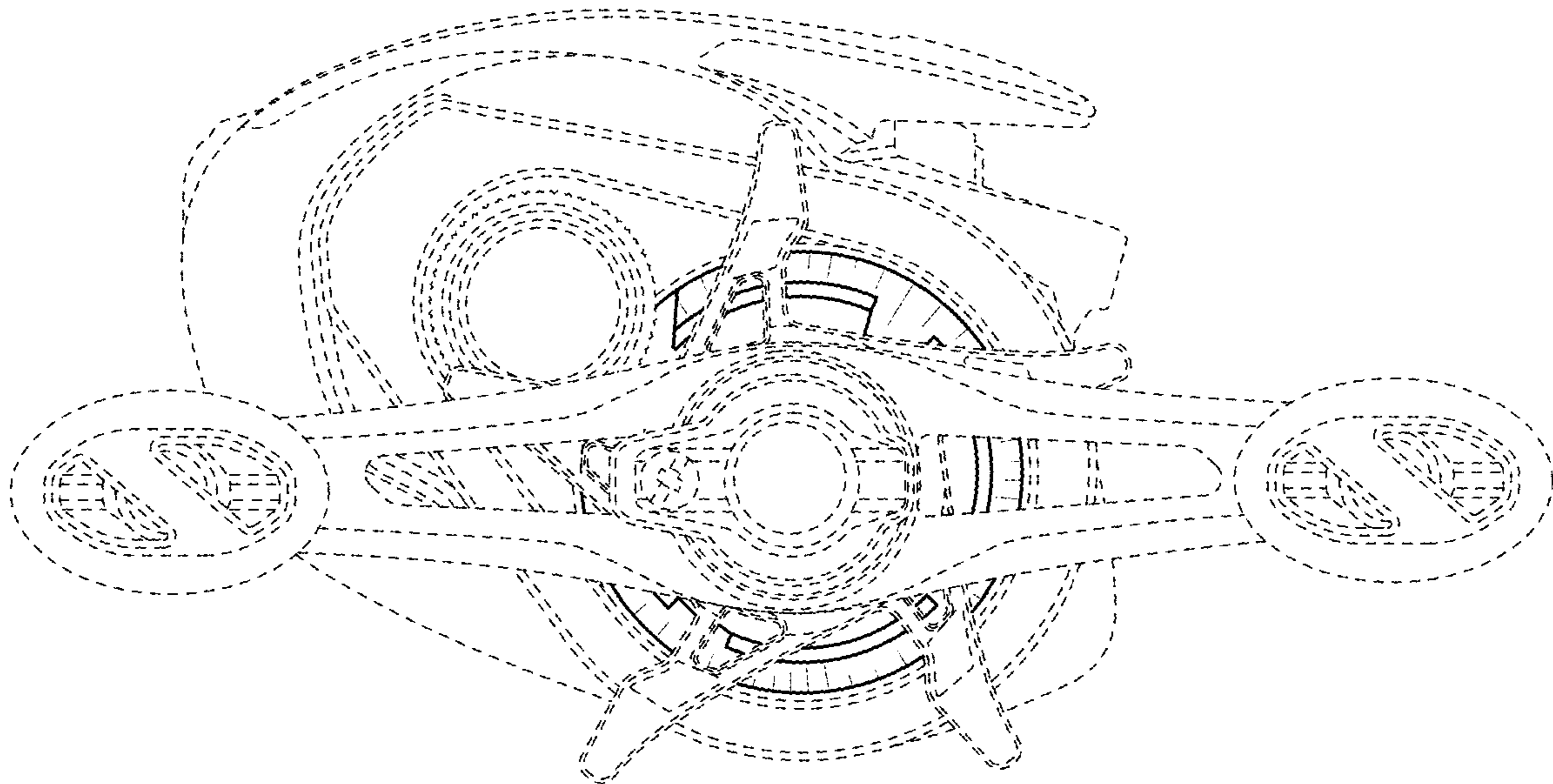
**FIG. 5**



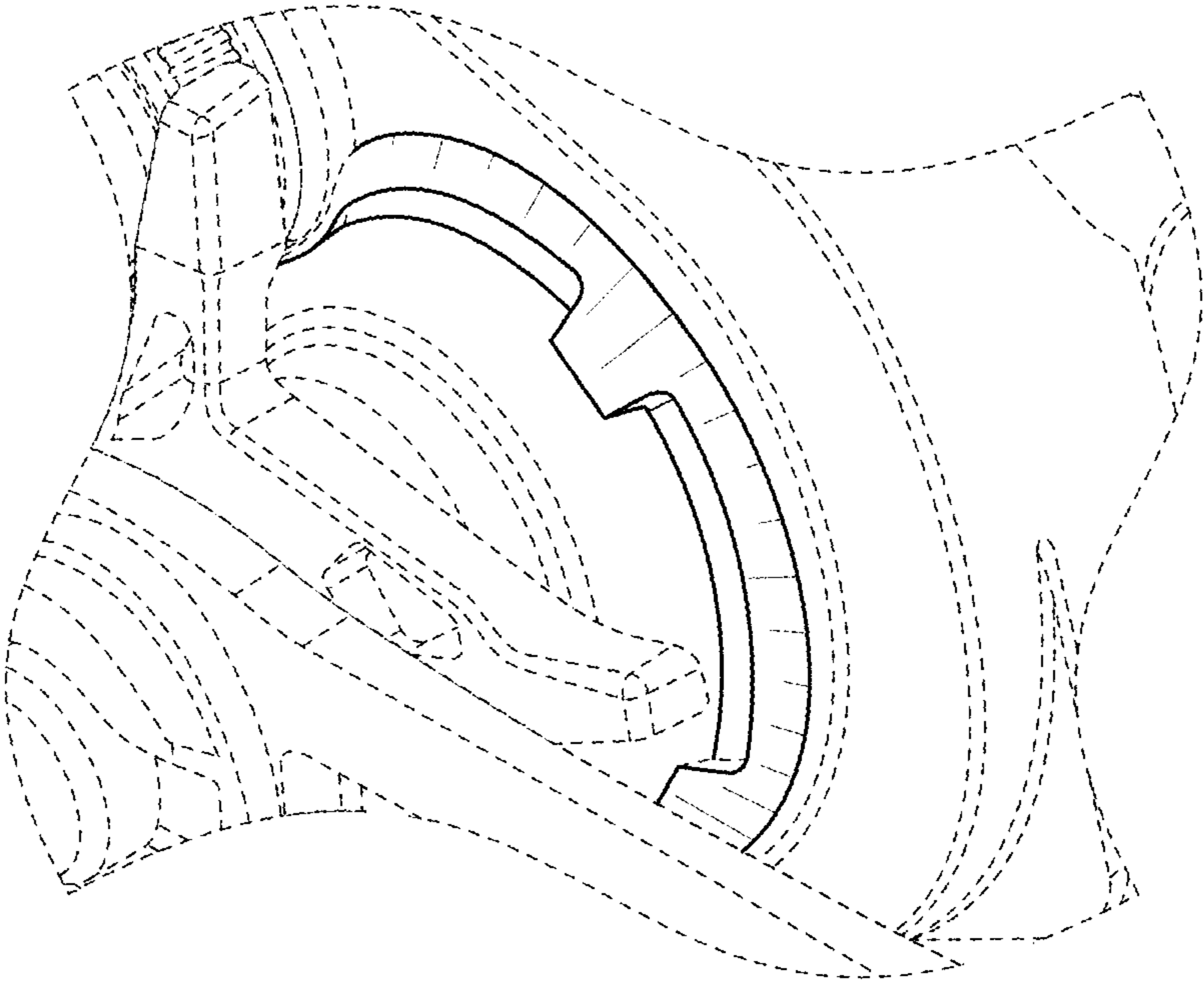
**FIG. 6**



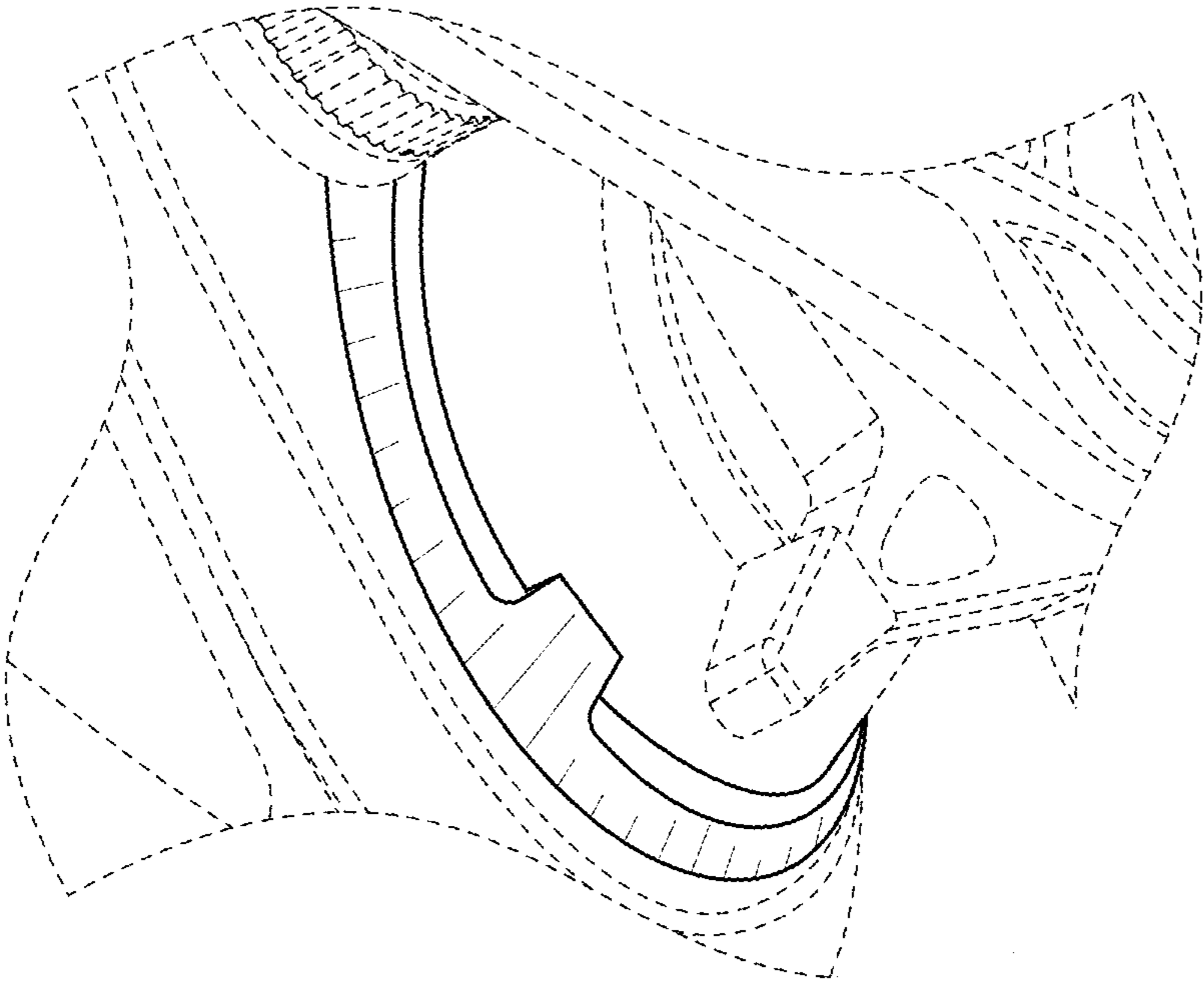
**FIG. 7**



**FIG. 8**



**FIG. 9**



**FIG. 10**