



US00D915545S

(12) **United States Design Patent** (10) **Patent No.:** **US D915,545 S**
Furuya (45) **Date of Patent:** **** Apr. 6, 2021**

(54) **FISHING REEL**
(71) Applicant: **Shimano Inc.**, Osaka (JP)
(72) Inventor: **Nobuo Furuya**, Osaka (JP)
(73) Assignee: **Shimano Inc.**, Osaka (JP)
(**) Term: **15 Years**
(21) Appl. No.: **29/726,029**
(22) Filed: **Feb. 28, 2020**

(30) **Foreign Application Priority Data**
Oct. 25, 2019 (JP) 2019-023776
(51) **LOC (13) Cl.** **22-05**
(52) **U.S. Cl.**
USPC **D22/140**
(58) **Field of Classification Search**
USPC D22/140–142, 138–139; 43/19–22;
242/223–224, 234–240, 255, 310–312,
242/314–315, 318, 322, 370
CPC A01K 89/00; A01K 89/0183; A01K
89/0192; A01K 89/01121; A01K 89/09;
A01K 89/004; A01K 89/006; A01K
89/015
See application file for complete search history.

(56) **References Cited**
U.S. PATENT DOCUMENTS
D674,868 S 1/2013 Deguchi
D724,173 S 3/2015 Asaba
D767,083 S 9/2016 Niitsuma
D846,061 S 4/2019 Niitsuma
D890,880 S * 7/2020 Niitsuma D22/140
D890,881 S * 7/2020 Aoki D22/140
2013/0087647 A1 * 4/2013 Niitsuma A01K 89/0192
242/223

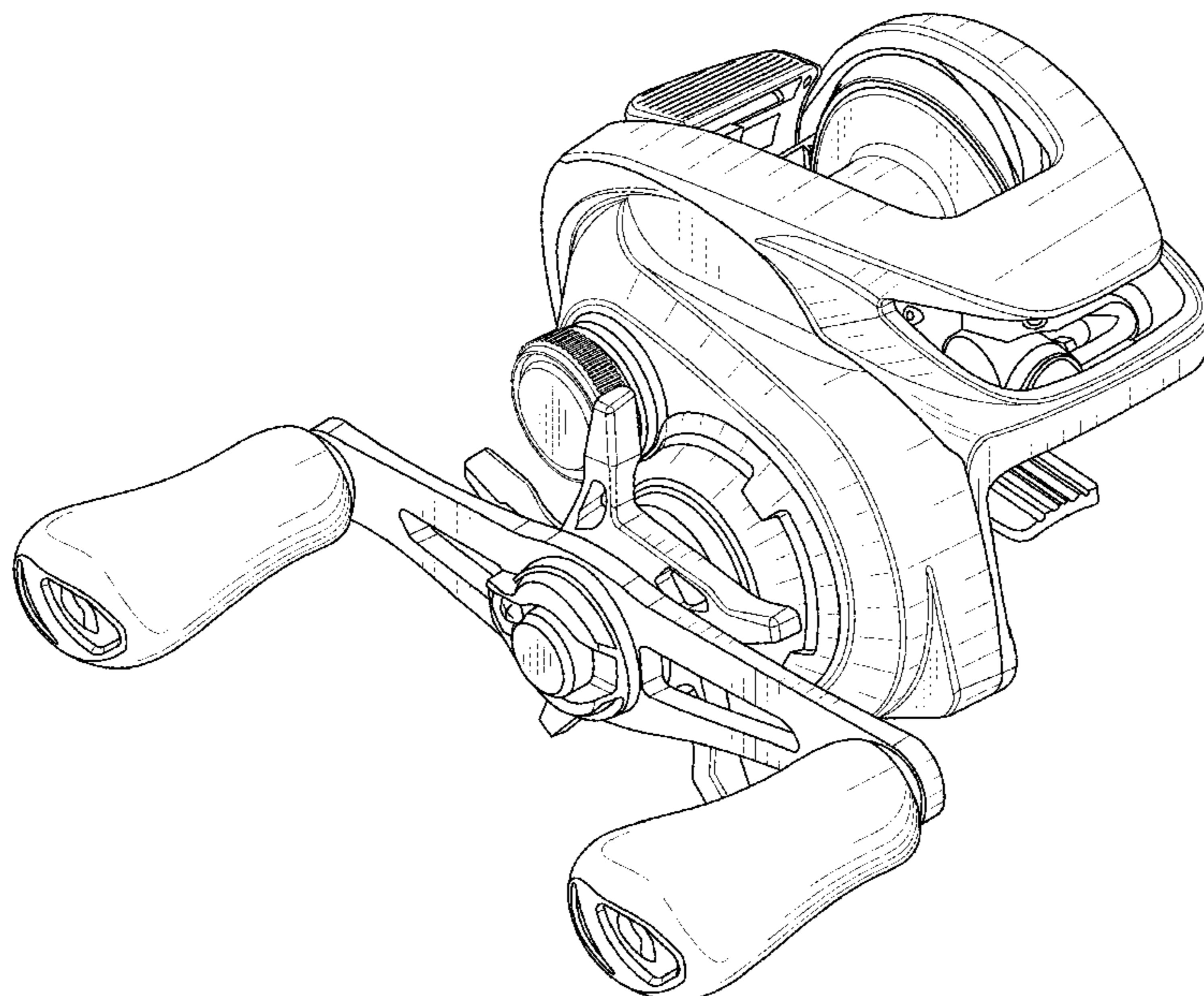
2014/0263792 A1 * 9/2014 Takechi A01K 89/015
242/257
2015/0090824 A1 * 4/2015 Ikebukuro A01K 89/015
242/310
2016/0165867 A1 * 6/2016 Hyun A01K 89/01121
242/310
2018/0199558 A1 * 7/2018 Niitsuma A01K 89/015

* cited by examiner
Primary Examiner — Catherine R Oliver-Garcia
(74) *Attorney, Agent, or Firm* — Global IP Counselors,
LLP

(57) **CLAIM**
An ornamental design for a fishing reel, as shown and described.

DESCRIPTION
FIG. 1 is a first perspective view of a fishing reel in accordance with my new design;
FIG. 2 is a second perspective view of the fishing reel illustrated in FIG. 1;
FIG. 3 is a third perspective view of the fishing reel illustrated in FIG. 1;
FIG. 4 is a front elevational view of the fishing reel illustrated in FIG. 1.
FIG. 5 is a rear elevational view of the fishing reel illustrated in FIG. 1;
FIG. 6 is a top plan view of the fishing reel illustrated in FIG. 1;
FIG. 7 is a bottom plan view of the fishing reel illustrated in FIG. 1;
FIG. 8 is a first side elevational view of the fishing reel illustrated in FIG. 1; and,
FIG. 9 is a second side elevational view of the fishing reel illustrated in FIG. 1.

1 Claim, 7 Drawing Sheets



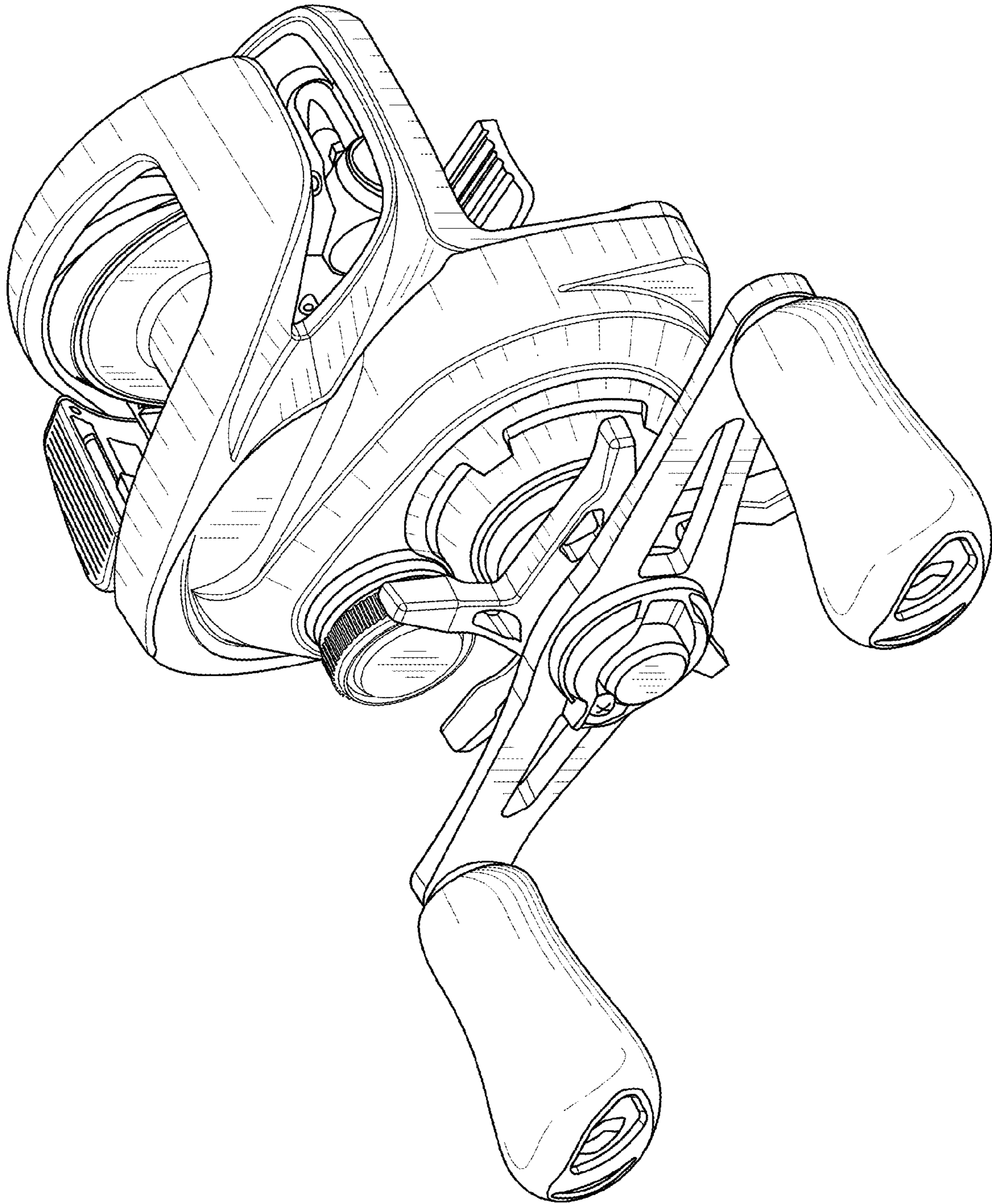


FIG. 1

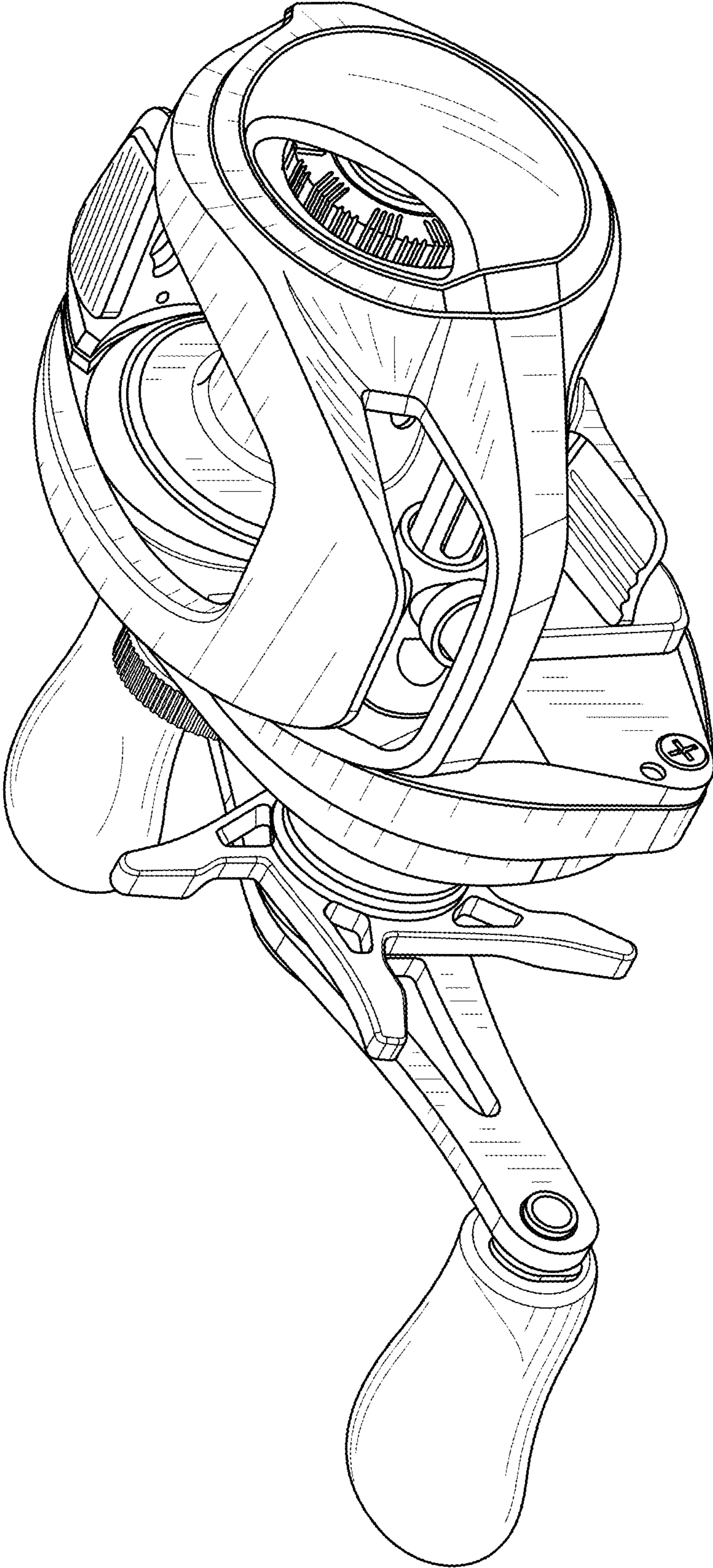


FIG. 2

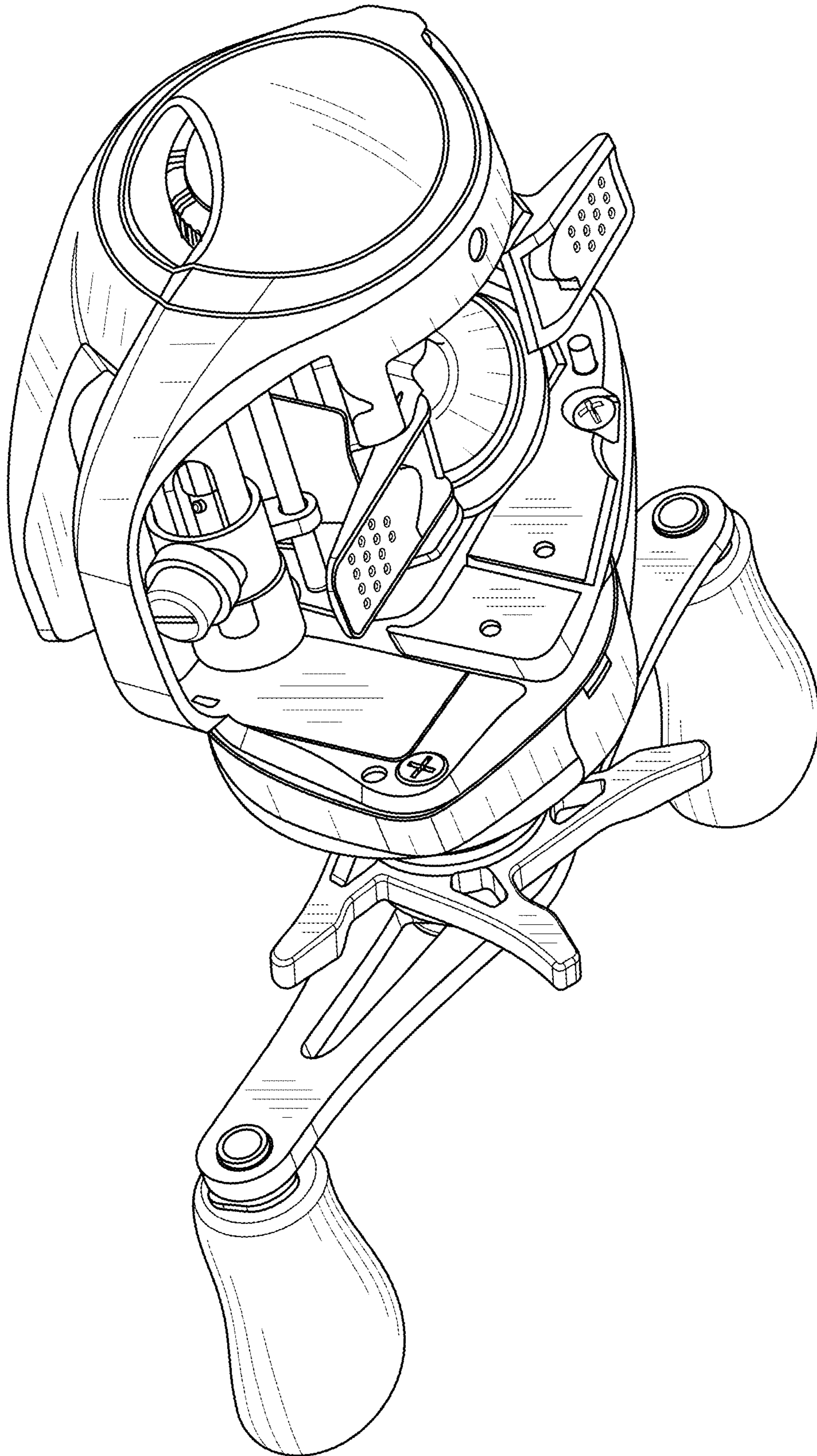


FIG. 3

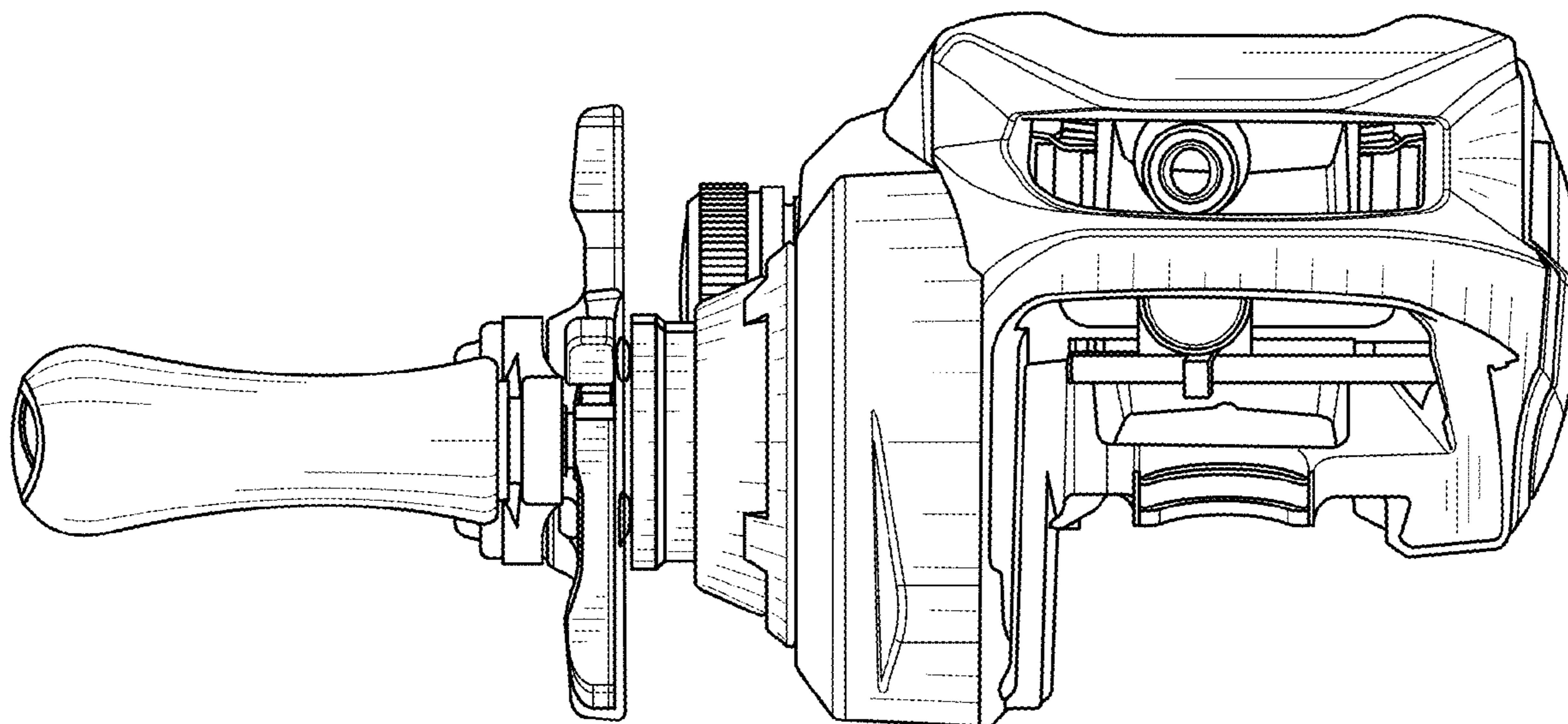


FIG. 4

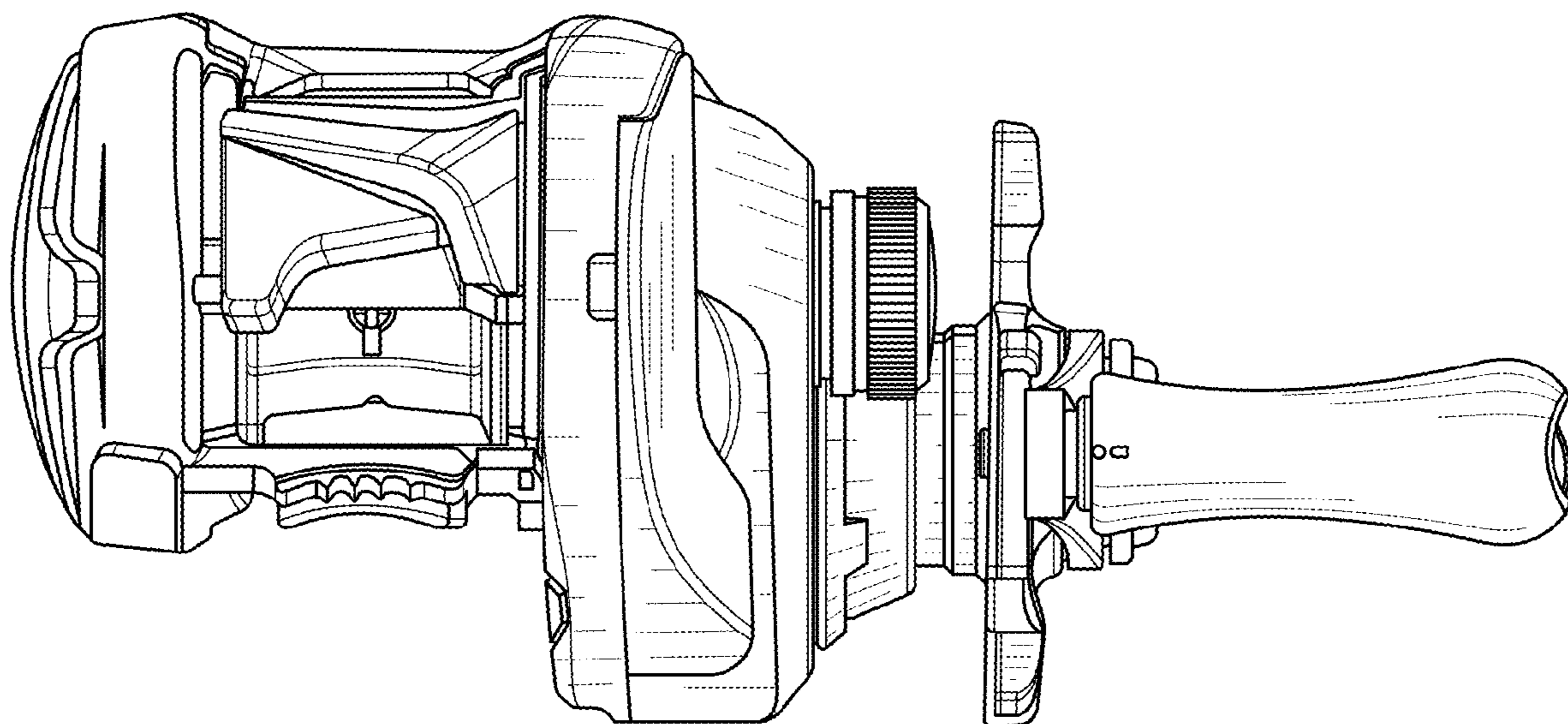


FIG. 5

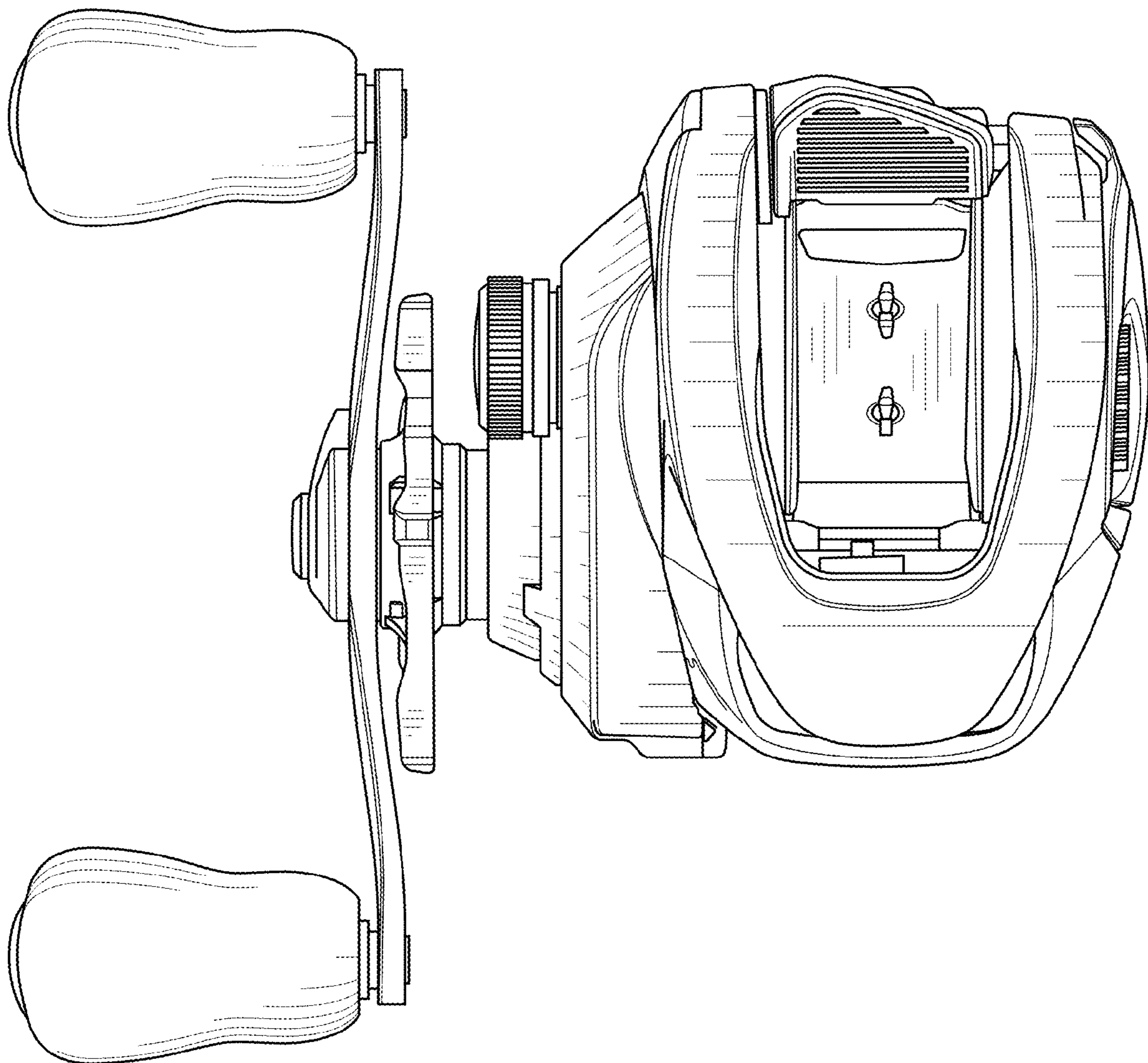


FIG. 6

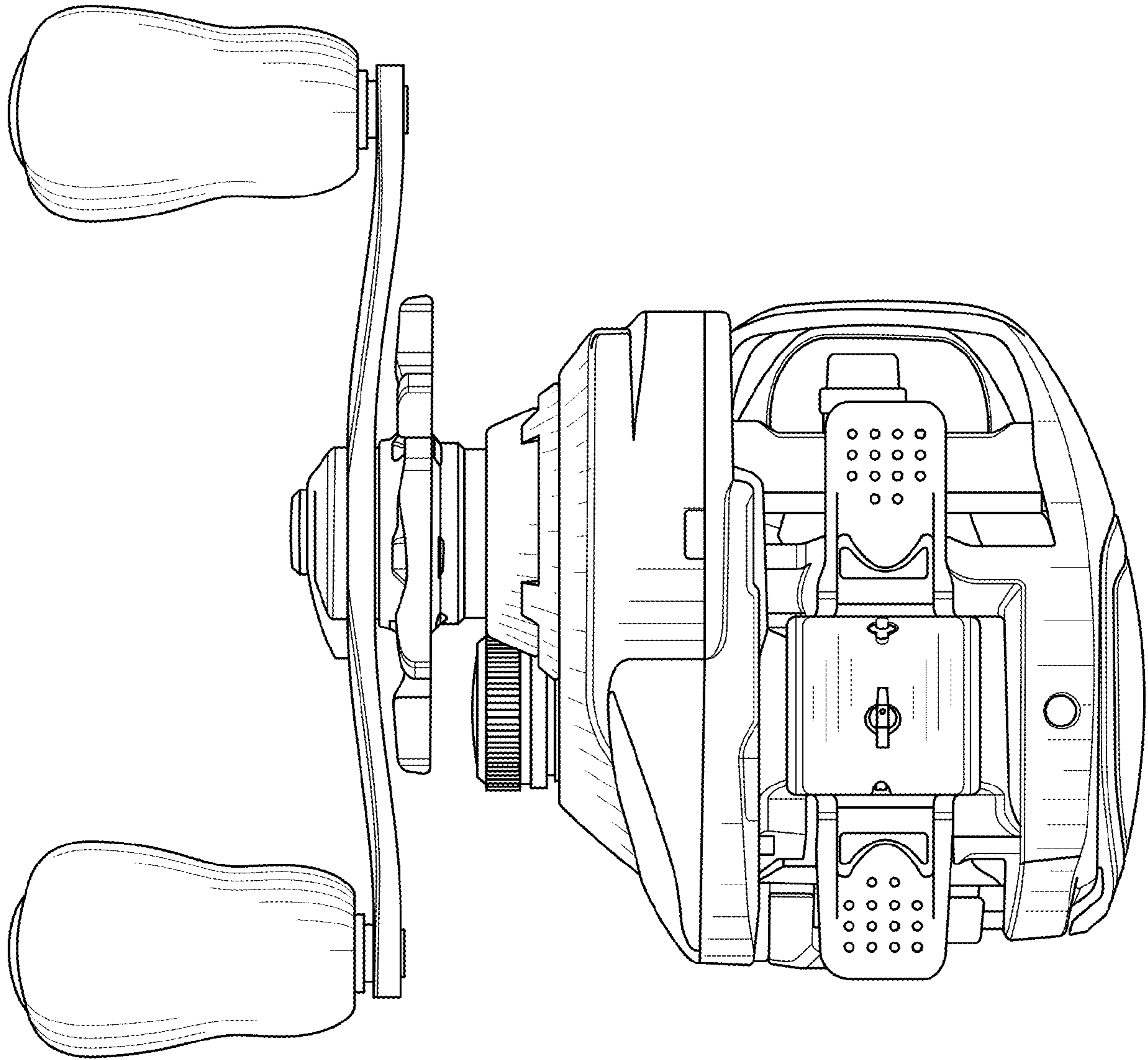


FIG. 7

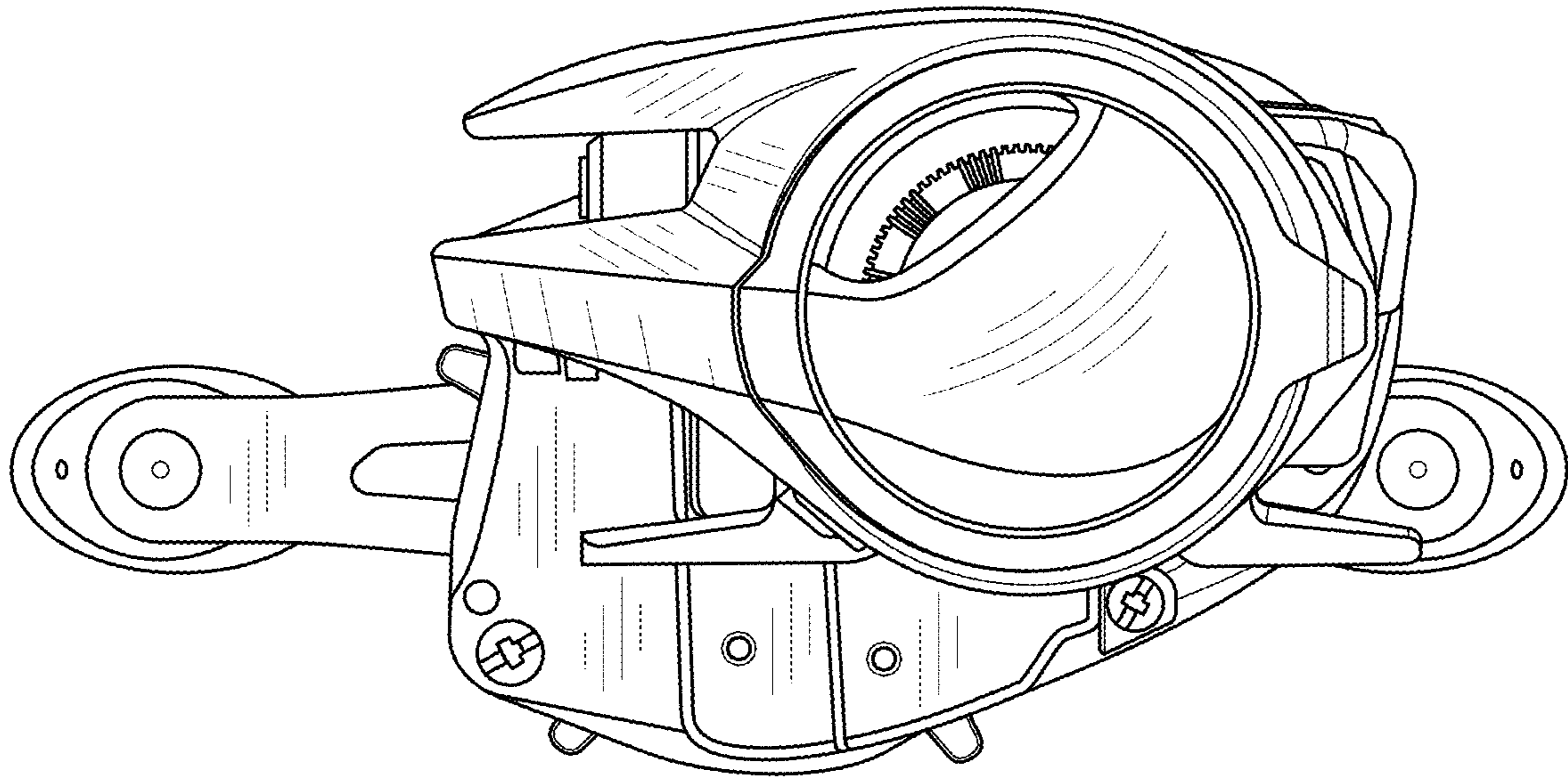


FIG. 8

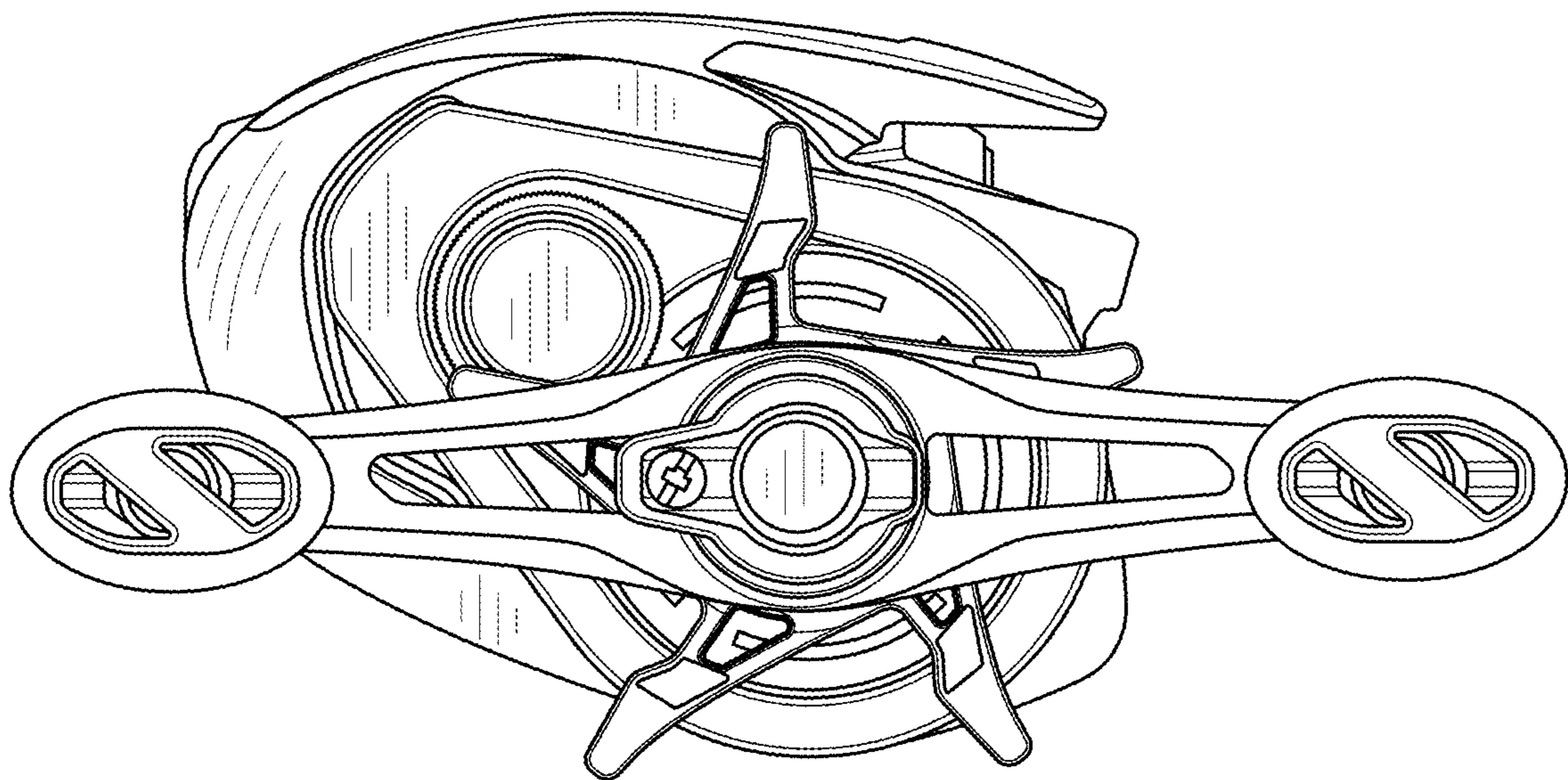


FIG. 9