



US00D915539S

(12) **United States Design Patent**
Zhang

(10) **Patent No.:** **US D915,539 S**

(45) **Date of Patent:** **** Apr. 6, 2021**

(54) **CHILDREN'S INFLATABLE POOL**

(71) Applicant: **Li Zhang**, Huaihua (CN)

(72) Inventor: **Li Zhang**, Huaihua (CN)

(**) Term: **15 Years**

(21) Appl. No.: **29/740,157**

(22) Filed: **Jul. 1, 2020**

(51) **LOC (13) Cl.** **21-02**

(52) **U.S. Cl.**
USPC **D21/803**

(58) **Field of Classification Search**
USPC D21/769-770, 801, 803, 809; D12/5, 6,
D12/316; D6/392, 595, 596, 601, 604,
D6/605; D23/201; D30/32
CPC B63B 35/00; B63B 35/001; B63B 35/58;
B63B 35/73; B63B 35/78
See application file for complete search history.

(56) **References Cited**

U.S. PATENT DOCUMENTS

D239,395 S	*	3/1976	Mildred	D30/118
D293,363 S	*	12/1987	Everard	D21/815
D293,364 S	*	12/1987	Everard	D21/815
D386,238 S	*	11/1997	Peterson	D21/815
D409,707 S		5/1999	Peterson		
D434,826 S	*	12/2000	Hsu	D21/815
D452,636 S	*	1/2002	Hill	D7/547
D478,971 S	*	8/2003	Jones	D23/304

D481,435 S	*	10/2003	Zheng	D21/803
D481,436 S	*	10/2003	Peterson	D21/803
D485,593 S	*	1/2004	Muci	D21/769
D634,384 S	*	3/2011	Song	D21/769
D699,901 S	*	2/2014	McCallum	D30/132
D705,376 S	*	5/2014	Rubey	D21/803
D741,436 S	*	10/2015	Lin	D21/815
D746,934 S	*	1/2016	Hsu	D21/803
D773,063 S	*	11/2016	Lin	D24/205
D816,179 S	*	4/2018	de Grasse	D21/803

* cited by examiner

Primary Examiner — Zenia I Bennett

(74) *Attorney, Agent, or Firm* — Justin Lampel

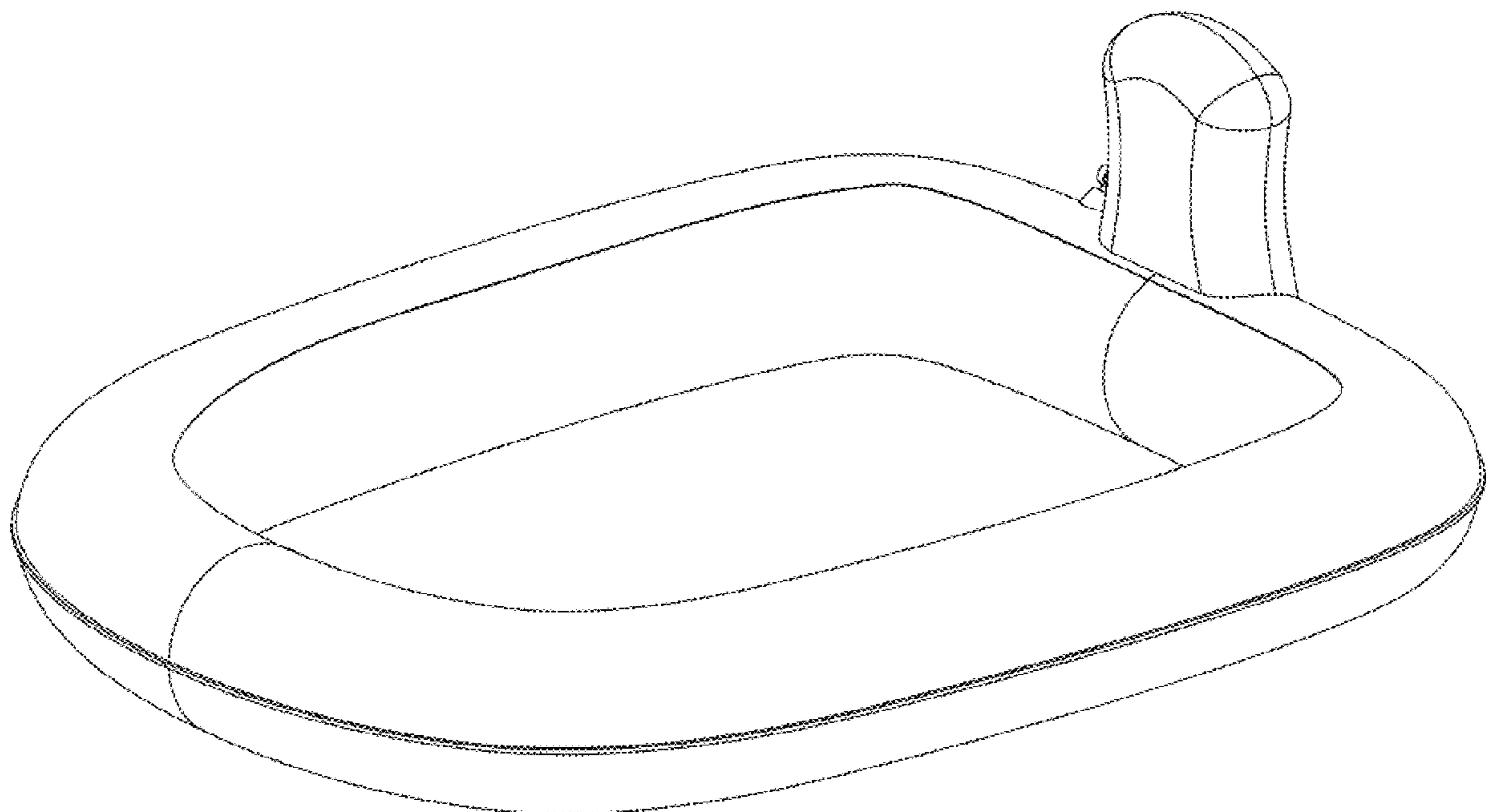
(57) **CLAIM**

The ornamental design for a children's inflatable pool, as shown and described.

DESCRIPTION

FIG. 1 is a perspective view of a children's inflatable pool showing the claimed design;
FIG. 2 is a top plan view thereof;
FIG. 3 is a left side view thereof;
FIG. 4 is a front elevational view thereof;
FIG. 5 is a right side view thereof;
FIG. 6 is a rear elevational view thereof; and,
FIG. 7 is a bottom plan view thereof.
The broken lines illustrate portions of the children's inflatable pool that form no part of the claimed design.

1 Claim, 7 Drawing Sheets



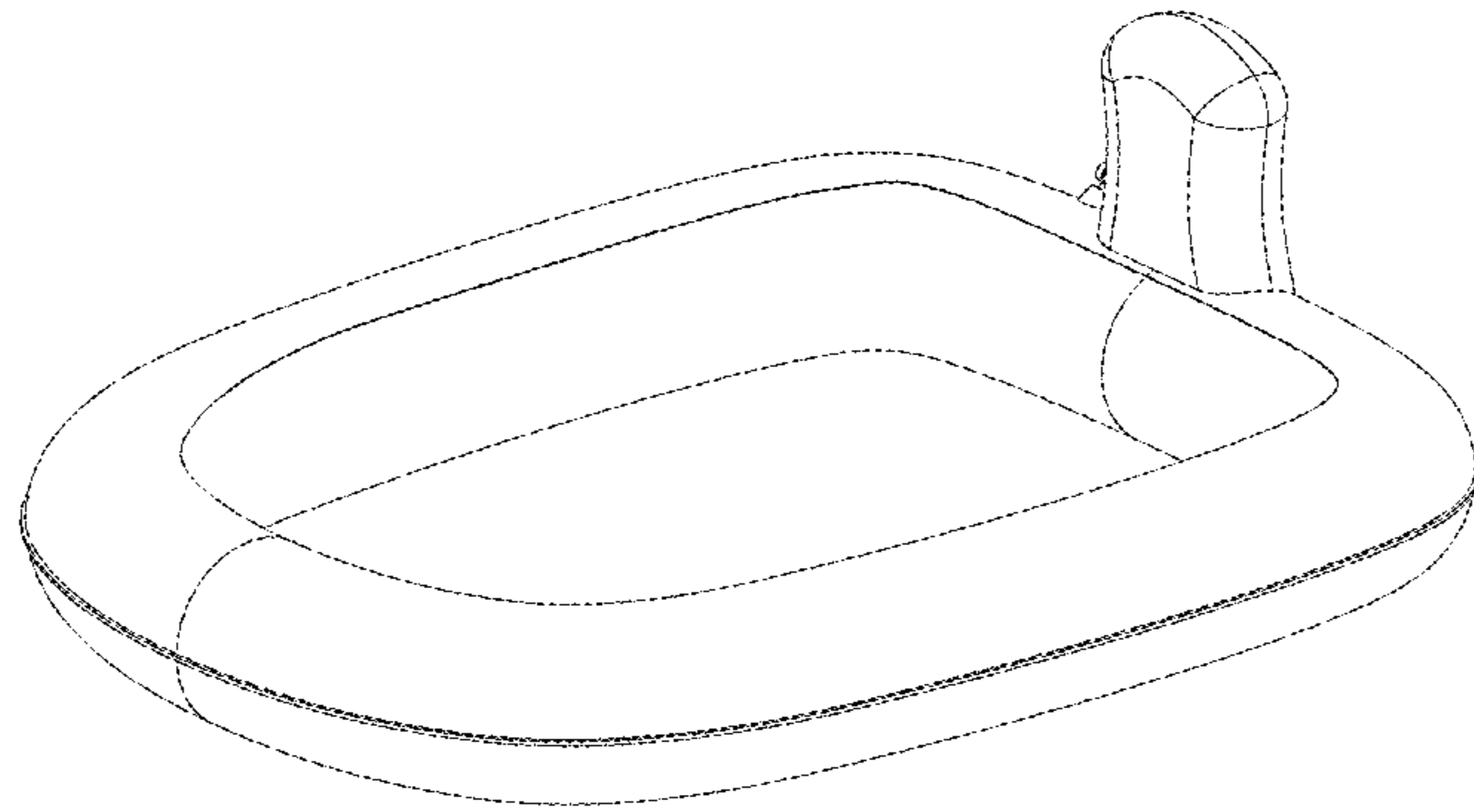


FIG.1

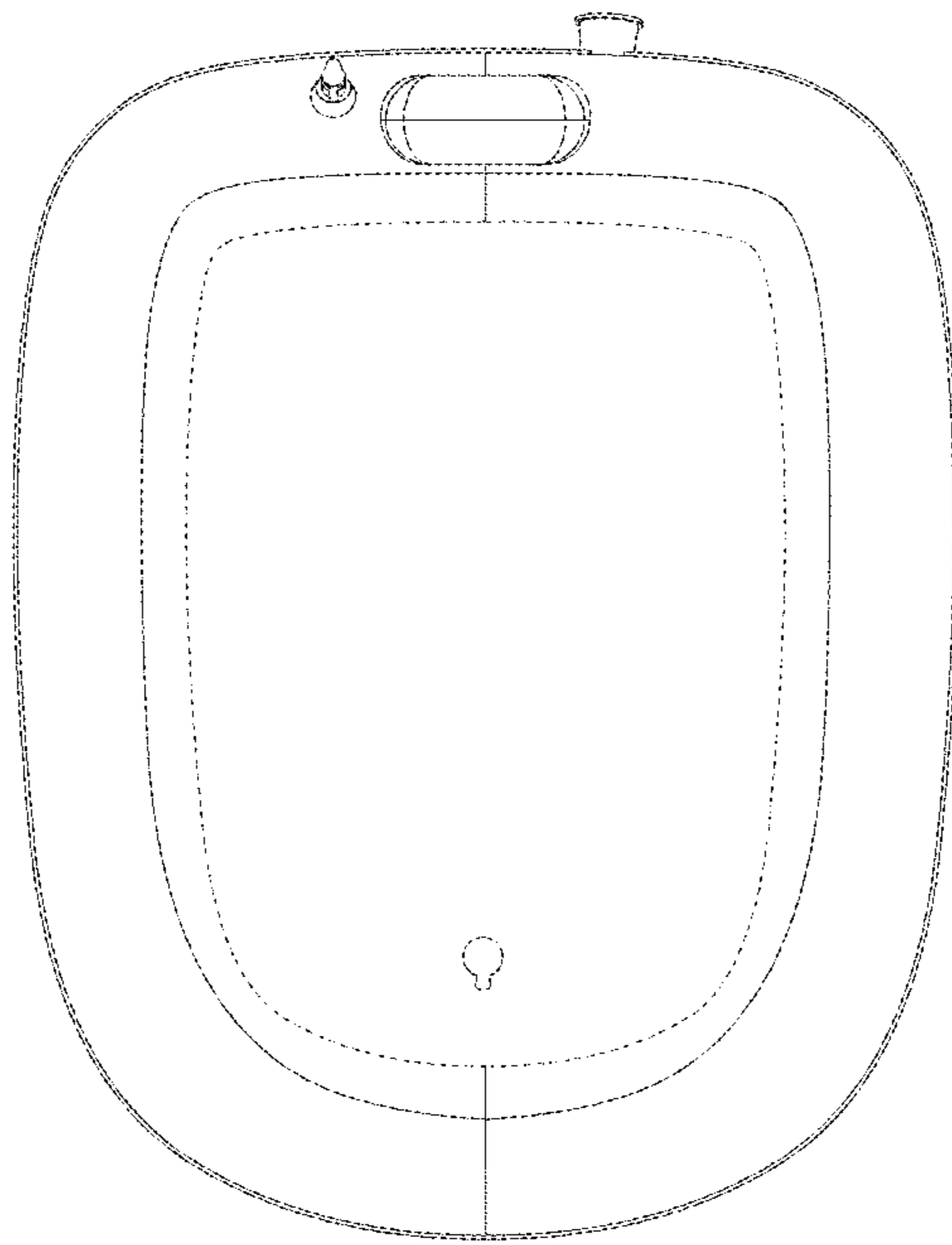


FIG.2

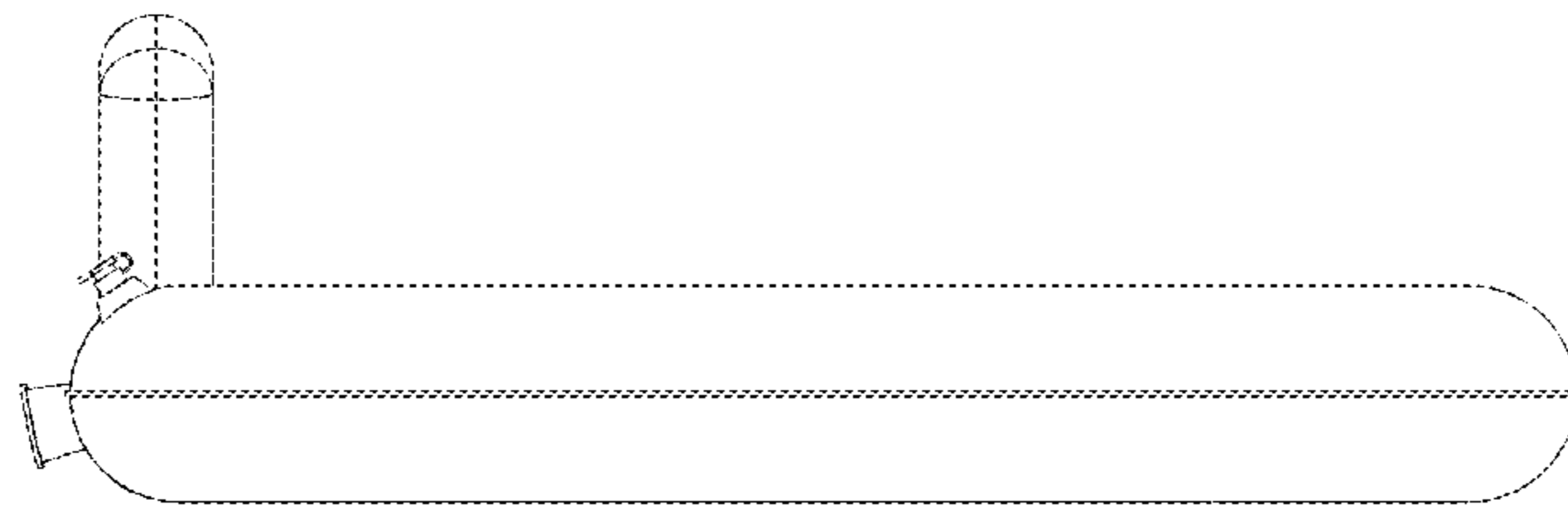


FIG.3

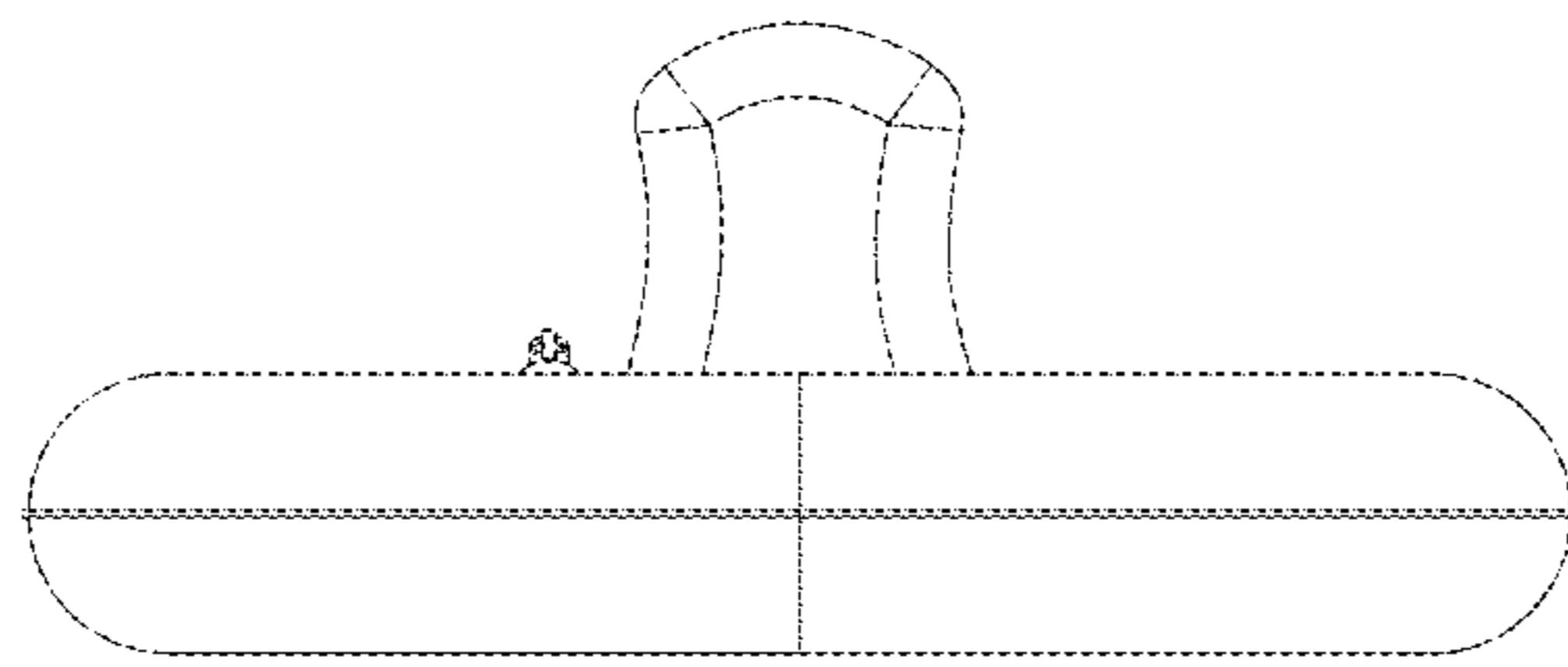


FIG.4

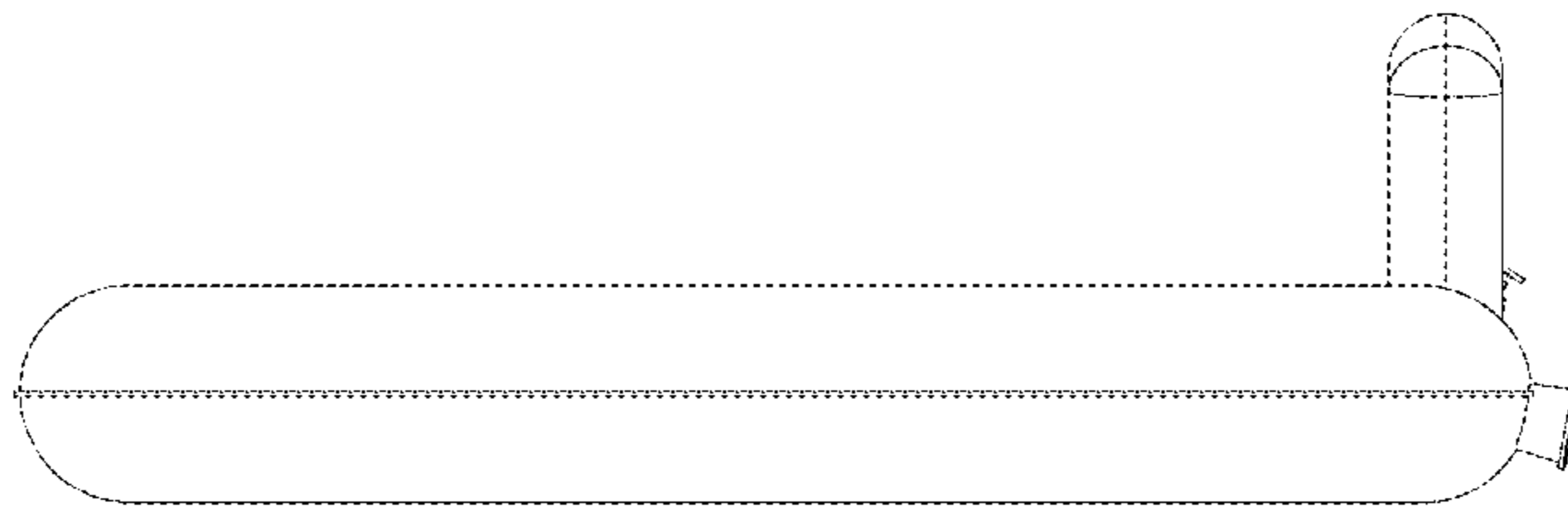


FIG.5

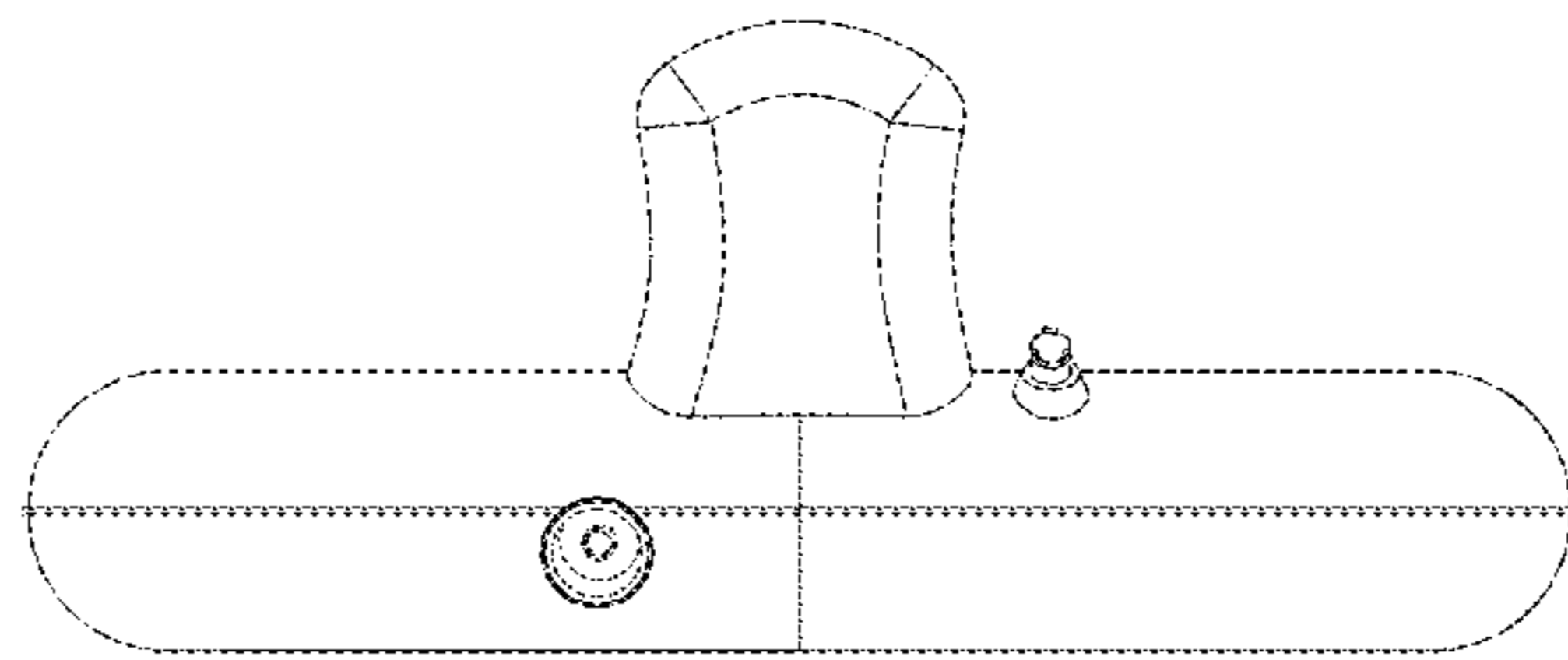


FIG.6

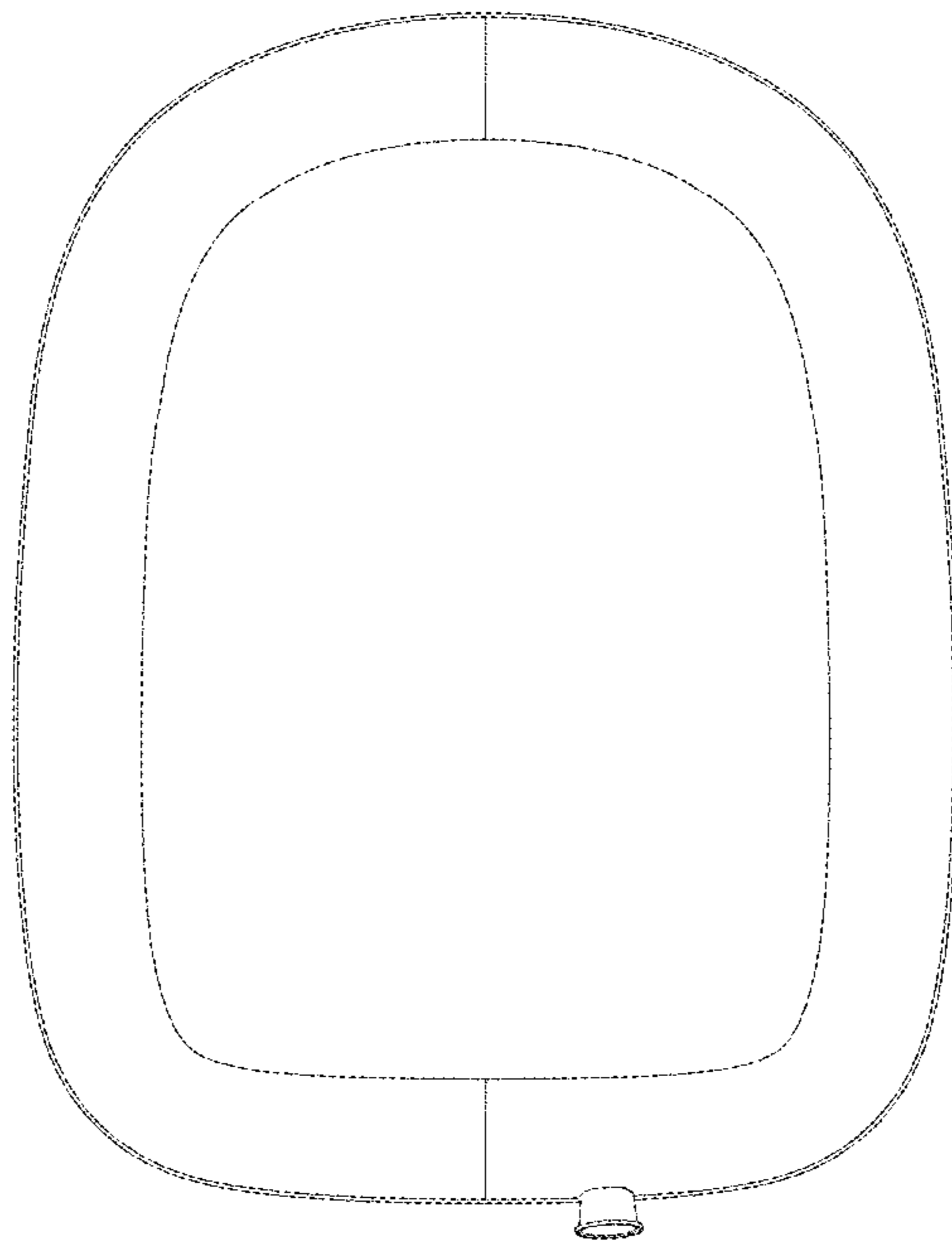


FIG. 7