



US00D915535S

(12) **United States Design Patent** (10) **Patent No.:** **US D915,535 S**
Parsons et al. (45) **Date of Patent:** **** *Apr. 6, 2021**

(54) **GOLF CLUB HEAD**

(71) Applicant: **PARSONS XTREME GOLF, LLC**,
Scottsdale, AZ (US)

(72) Inventors: **Robert R. Parsons**, Scottsdale, AZ
(US); **Michael R. Nicolette**, Scottsdale,
AZ (US); **Bradley D. Schweigert**,
Anthem, AZ (US)

(73) Assignee: **PARSONS XTREME GOLF, LLC**,
Scottsdale, AZ (US)

(*) Notice: This patent is subject to a terminal dis-
claimer.

(**) Term: **15 Years**

(21) Appl. No.: **29/689,572**

(22) Filed: **Apr. 30, 2019**

Related U.S. Application Data

(63) Continuation-in-part of application No. 29/688,497,
filed on Apr. 22, 2019, which is a continuation-in-part
of application No. 29/679,963, filed on Feb. 12, 2019,
and a continuation-in-part of application No.
29/671,747, filed on Nov. 29, 2018, now abandoned,
and a continuation-in-part of application No.
29/670,876, filed on Nov. 20, 2018, now abandoned,
and a continuation-in-part of application No.
29/670,459, filed on Nov. 15, 2018, now abandoned,
and a continuation-in-part of application No.
29/669,367, filed on Nov. 7, 2018, now abandoned,
and a continuation-in-part of application No.

(Continued)

(51) **LOC (13) Cl.** **21-02**

(52) **U.S. Cl.**
USPC **D21/747**

(58) **Field of Classification Search**
USPC **D21/747-751, 759**

CPC A63B 53/00; A63B 53/02; A63B 53/04;
A63B 53/047; A63B 53/0475; A63B
2053/0479; A63B 2053/0483; A63B
2053/0445; A63B 60/00; A63B 60/46
See application file for complete search history.

(56) **References Cited**

U.S. PATENT DOCUMENTS

1,133,129 A 3/1915 Govan
D164,469 S 9/1951 Behrendt
(Continued)

OTHER PUBLICATIONS

International Search Report and Written Opinion Issued in connec-
tion with corresponding application No. PCT/US2015/016666, dated
May 14, 2015 (7 Pages).

(Continued)

Primary Examiner — Mitchell I. Siegel

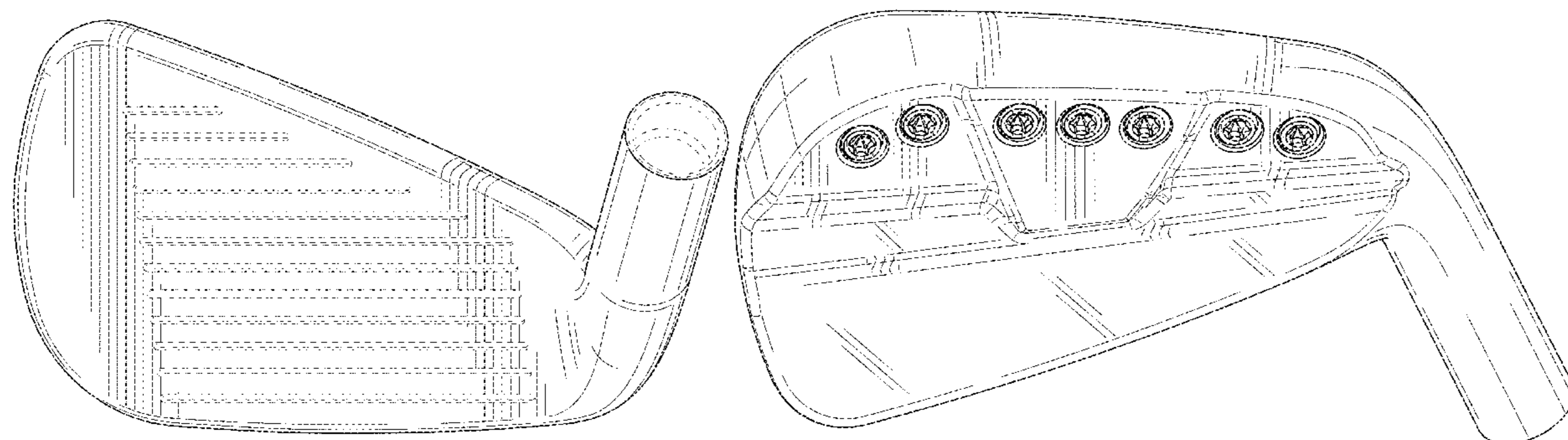
(57) **CLAIM**

The ornamental design for a golf club head, as shown and
described.

DESCRIPTION

FIG. 1 is a top perspective view of a golf club head;
FIG. 2 is a bottom perspective view of the golf club head of
FIG. 1;
FIG. 3 is a front elevational view of the golf club head of
FIG. 1;
FIG. 4 is a rear elevational view of the golf club head of FIG.
1;
FIG. 5 is a top view of the golf club head of FIG. 1;
FIG. 6 is a bottom view of the golf club head of FIG. 1;
FIG. 7 is a left side view of the golf club head of FIG. 1; and,
FIG. 8 is a right side view of the golf club head of FIG. 1.
The broken line showing is included for the purpose of
illustrating unclaimed subject matter and forms no part of
the claimed design.

1 Claim, 7 Drawing Sheets



Related U.S. Application Data

29/665,176, filed on Oct. 1, 2018, now Pat. No. Des. 852,302, which is a continuation-in-part of application No. 29/657,820, filed on Jul. 25, 2018, now abandoned.

(56)

References Cited

U.S. PATENT DOCUMENTS

D164,597 S * 9/1951 Penna D21/751
 3,020,048 A 2/1962 Carroll
 D203,936 S 3/1966 Long
 D215,101 S 9/1969 Sabat
 D234,963 S 4/1975 Hirata
 D239,550 S 4/1976 Timbrook
 D240,054 S 5/1976 Meissler
 D244,792 S 6/1977 Gelinas
 D250,136 S 10/1978 Gelinas
 D261,167 S 10/1981 Swanson
 D294,617 S 3/1988 Perkins
 4,754,977 A 7/1988 Sahm
 4,824,116 A 4/1989 Nagamoto
 4,988,104 A 1/1991 Shiotani
 5,158,296 A 10/1992 Lee
 5,176,384 A 1/1993 Sata
 5,213,328 A 5/1993 Long et al.
 D336,672 S 6/1993 Gorman
 D353,862 S 12/1994 Saito
 D357,520 S 4/1995 Schmidt
 5,419,560 A 5/1995 Bamber
 5,425,535 A 6/1995 Gee
 D361,358 S 8/1995 Simmons
 5,447,311 A 9/1995 Viollaz
 5,451,056 A 9/1995 Manning
 D362,884 S 10/1995 Sheeley
 D362,885 S 10/1995 Sheeley
 D362,887 S 10/1995 Sheeley
 D370,514 S 6/1996 Sheeley
 5,540,437 A 7/1996 Bamber
 D379,106 S 5/1997 Maltby
 5,637,045 A 6/1997 Igarashi
 5,669,830 A 9/1997 Bamber
 D389,540 S 1/1998 Mendenhall
 D389,541 S 1/1998 Huan-Chiang
 D395,476 S 6/1998 Pond et al.
 5,766,091 A 6/1998 Humphrey
 5,766,092 A 6/1998 Mimeur
 D399,277 S 10/1998 Ezaki
 5,827,132 A 10/1998 Bamber
 D408,485 S 4/1999 Takahashi
 5,899,821 A 5/1999 Hsu
 5,935,016 A 8/1999 Antonious
 D414,535 S 9/1999 Mertens
 D421,080 S * 2/2000 Chen D21/747
 D426,276 S * 6/2000 Besnard D21/747
 D426,476 S 6/2000 Goss
 6,077,171 A * 6/2000 Yoneyama A63B 53/04
 473/291
 D442,659 S 5/2001 Solheim
 D443,008 S 5/2001 Kubica
 D445,862 S 7/2001 Ford
 6,290,609 B1 9/2001 Takeda
 D449,866 S 10/2001 Miller
 6,376,878 B1 4/2002 Kocon
 D457,211 S 5/2002 Bakke
 D458,328 S 6/2002 Solheim
 D466,576 S * 12/2002 Nagai D21/759
 D469,833 S 2/2003 Roberts
 D473,605 S 4/2003 Petersen
 D475,107 S 5/2003 Madore
 D476,048 S 6/2003 Cleveland
 D478,949 S 8/2003 De La Cruz
 6,638,162 B2 10/2003 Kosmatka
 6,695,714 B1 2/2004 Bliss
 6,702,693 B2 3/2004 Bamber
 D488,201 S 4/2004 Wahl

D492,376 S 6/2004 Schweigert
 D494,240 S 8/2004 Schweigert
 D494,648 S 8/2004 Schweigert
 6,780,123 B2 8/2004 Hasebe
 D497,963 S 11/2004 Toulon
 6,811,496 B2 11/2004 Wahl
 D499,779 S 12/2004 Mahaffey
 D500,350 S 12/2004 Schweigert
 D500,351 S 12/2004 Schweigert
 D502,237 S 2/2005 Schweigert
 D502,975 S 3/2005 Schweigert et al.
 D503,204 S 3/2005 Nicolette et al.
 D504,925 S 5/2005 Schweigert
 D505,171 S 5/2005 Schweigert
 D507,320 S 7/2005 Roberts et al.
 D507,614 S 7/2005 Schweigert
 D508,099 S 8/2005 Solheim
 D508,545 S 8/2005 Roberts et al.
 6,923,733 B2 8/2005 Chen
 D514,183 S 1/2006 Schweigert
 D516,650 S 3/2006 Stone
 D518,863 S 4/2006 Nishitani
 D523,501 S 6/2006 Schweigert
 D523,917 S 6/2006 Roberts
 D524,889 S 7/2006 Kim
 D526,036 S * 8/2006 Nishitani D21/747
 D530,759 S 10/2006 Solheim
 D530,760 S 10/2006 Solheim
 7,121,956 B2 10/2006 Lo
 7,128,663 B2 10/2006 Bamber
 D531,688 S 11/2006 Wahl
 D532,849 S 11/2006 Solheim
 D534,228 S 12/2006 Solheim
 D534,595 S * 1/2007 Hasebe D21/747
 D534,597 S 1/2007 Solheim
 7,156,751 B2 1/2007 Wahl
 D536,759 S 2/2007 Nicolette
 D537,494 S 2/2007 Solheim
 7,182,698 B2 2/2007 Tseng
 D538,366 S 3/2007 Nicolette
 D539,864 S 4/2007 Solheim
 D540,898 S 4/2007 Solheim
 D541,360 S 4/2007 Solheim
 7,207,900 B2 4/2007 Nicolette
 D543,601 S * 5/2007 Kawami D21/759
 D544,056 S 6/2007 Solheim
 D547,410 S 7/2007 Solheim
 D555,219 S 11/2007 Lin
 7,303,486 B2 12/2007 Imamoto
 D559,932 S 1/2008 Belmont
 D561,855 S 2/2008 Nicolette
 D562,925 S 2/2008 Nicolette
 7,351,164 B2 4/2008 Schweigert
 D570,435 S 6/2008 Sanchez
 D570,935 S 6/2008 Nicolette
 D570,936 S 6/2008 Nicolette
 D570,942 S 6/2008 Schweigert
 D571,422 S 6/2008 Nicolette
 D571,425 S 6/2008 Nicolette
 D571,427 S 6/2008 Schweigert
 D571,881 S 6/2008 Solheim
 D572,326 S 7/2008 Schweigert
 D572,329 S 7/2008 Solheim
 D573,219 S 7/2008 Schweigert
 7,396,299 B2 7/2008 Nicolette
 7,413,518 B2 8/2008 Cole
 D577,783 S 9/2008 Nicolette
 D578,590 S 10/2008 Nicolette
 D581,000 S 11/2008 Sanchez
 D581,004 S 11/2008 Chen
 D584,370 S 1/2009 Cleveland
 D585,103 S 1/2009 Tang
 D586,414 S 2/2009 Tang
 D587,327 S 2/2009 Wahl
 D594,518 S 6/2009 Schweigert
 D596,256 S 7/2009 Nicolette
 D596,257 S 7/2009 Nicolette
 D596,258 S 7/2009 Jertson
 D596,688 S 7/2009 Chen

(56)

References Cited

U.S. PATENT DOCUMENTS

D597,158 S 7/2009 Nicolette
D601,216 S 9/2009 Nicolette
7,588,502 B2 9/2009 Nishino
7,601,075 B2 10/2009 Cole
D604,783 S 11/2009 Solheim
7,611,424 B2 11/2009 Nagai
D606,605 S 12/2009 Wataru
D607,070 S 12/2009 Wataru
D607,071 S 12/2009 Wataru
7,658,686 B2 2/2010 Soracco
D612,438 S 3/2010 Carlyle
D612,439 S 3/2010 Carlyle
D617,406 S 6/2010 Carlyle
D618,293 S 6/2010 Foster et al.
D621,894 S 6/2010 Schweigert
7,736,243 B2 6/2010 Sanchez
7,744,484 B1 6/2010 Chao
D621,893 S 8/2010 Nicolette
D621,895 S 8/2010 Schweigert
7,798,917 B2 9/2010 Nguyen
7,815,521 B2 10/2010 Ban
D627,409 S 11/2010 Schweigert
D627,410 S 11/2010 Nicolette et al.
7,846,040 B2 12/2010 Ban
D633,159 S 2/2011 Manwaring
D633,967 S 3/2011 Carlyle
D635,627 S 4/2011 Nicolette
7,938,738 B2 5/2011 Roach
D643,488 S 6/2011 Manwaring
D642,642 S 8/2011 Schweigert
D643,490 S 8/2011 Ban
D643,491 S 8/2011 Solheim
D643,492 S 8/2011 Nicolette
D643,895 S 8/2011 Wieland
D643,896 S 8/2011 Schweigert
D647,582 S 10/2011 Nicolette
D647,984 S * 11/2011 Atwell D21/747
D649,211 S 11/2011 Schweigert
8,062,150 B2 11/2011 Gilbert
D651,268 S 12/2011 Nicolette
8,088,025 B2 1/2012 Wahl
8,092,319 B1 1/2012 Cackett
8,105,180 B1 1/2012 Cackett
8,142,307 B2 3/2012 Sanchez
D658,248 S 4/2012 Toulon
8,221,262 B1 7/2012 Cackett
8,246,487 B1 8/2012 Cackett
D670,775 S 11/2012 Schweigert
D672,417 S 12/2012 Schweigert
8,328,662 B2 12/2012 Nakamura
D673,633 S 1/2013 Schweigert
D673,634 S 1/2013 Schweigert
D680,603 S 4/2013 Nicolette
D681,142 S 4/2013 Fossum et al.
D681,143 S 4/2013 Nicolette
8,414,422 B2 4/2013 Peralta
8,506,420 B2 8/2013 Hocknell
8,545,343 B2 10/2013 Boyd
8,574,094 B2 11/2013 Nicolette
8,657,700 B2 2/2014 Nicolette
8,663,026 B2 3/2014 Blowers
8,690,710 B2 4/2014 Nicolette
D707,316 S 6/2014 Brunski
D707,317 S 6/2014 Brunski
8,753,230 B2 6/2014 Stokke
D708,688 S 7/2014 Nicolette
8,827,832 B2 9/2014 Breier
8,827,833 B2 9/2014 Amano
8,845,455 B2 9/2014 Ban
D716,387 S 10/2014 Brunski
D716,388 S 10/2014 Brunski
D716,391 S * 10/2014 Roche D21/759
D719,627 S * 12/2014 Wieland D21/759
D722,352 S * 2/2015 Nicolette D21/747
D723,120 S * 2/2015 Nicolette D21/747

8,961,336 B1 * 2/2015 Parsons A63B 53/0475
473/332
D726,265 S * 4/2015 Nicolette D21/747
9,199,143 B1 12/2015 Parsons
D746,926 S * 1/2016 Parsons D21/747
D748,214 S * 1/2016 Nicolette D21/747
D746,749 S 2/2016 Nicolette et al.
D748,749 S * 2/2016 Nicolette D21/759
D756,471 S * 5/2016 Nicolette D21/747
9,345,938 B2 * 5/2016 Parsons A63B 53/0475
D764,610 S * 8/2016 Parsons D21/747
9,421,437 B2 8/2016 Parsons
9,427,634 B2 8/2016 Parsons
9,468,821 B2 * 10/2016 Parsons A63B 53/0466
D773,575 S * 12/2016 Nicolette D21/747
9,533,201 B2 * 1/2017 Parsons A63B 53/0475
9,610,481 B2 * 4/2017 Parsons A63B 53/04
9,649,542 B2 * 5/2017 Nicolette A63B 53/047
D795,979 S * 8/2017 Parsons D21/759
9,764,208 B1 * 9/2017 Parsons A63B 53/0475
D802,068 S * 11/2017 Parsons D21/747
D816,787 S * 5/2018 Nicolette D21/747
D825,891 S * 8/2018 Parsons D2/747
D827,065 S * 8/2018 Nicolette D21/747
D835,737 S * 12/2018 Parsons D21/747
D852,302 S * 6/2019 Parsons D21/747
D856,451 S * 8/2019 Parsons D21/747
D863,478 S * 10/2019 Parsons D21/747
2002/0107087 A1 8/2002 Fagot
2003/0139226 A1 7/2003 Cheng
2003/0176231 A1 9/2003 Hasebe
2004/0204263 A1 10/2004 Fagot
2005/0009632 A1 1/2005 Schweigert
2005/0014573 A1 1/2005 Lee
2005/0096148 A1 5/2005 Noble
2005/0119066 A1 6/2005 Stites
2005/0239569 A1 10/2005 Best
2005/0277485 A1 * 12/2005 Hou A63B 60/54
473/332
2006/0111200 A1 5/2006 Poynor
2007/0032308 A1 2/2007 Fagot
2007/0225084 A1 9/2007 Schweigert
2008/0058113 A1 3/2008 Nicolette
2008/0188322 A1 8/2008 Anderson
2008/0300065 A1 12/2008 Schweigert
2009/0029790 A1 1/2009 Nicolette
2010/0130306 A1 5/2010 Schweigert
2010/0178999 A1 7/2010 Nicolette
2011/0111683 A1 5/2011 Kelnhofer
2011/0165963 A1 7/2011 Cackett
2011/0269567 A1 11/2011 Ban
2011/0294596 A1 12/2011 Ban
2012/0267410 A1 10/2012 Loudenslager
2013/0137532 A1 5/2013 Deshmukh
2013/0225319 A1 8/2013 Kato
2013/0281226 A1 10/2013 Ban
2013/0288823 A1 10/2013 Hebreo
2013/0303303 A1 11/2013 Ban
2013/0310192 A1 11/2013 Wahl
2014/0080621 A1 3/2014 Nicolette
2014/0128175 A1 5/2014 Jertson
2014/0274441 A1 9/2014 Greer
2014/0274451 A1 9/2014 Knight
2015/0136825 A1 5/2015 Kalck
2015/0231454 A1 * 8/2015 Parsons A63B 53/0475
473/335
2015/0231806 A1 * 8/2015 Parsons A63B 60/00
264/261

OTHER PUBLICATIONS

Kozuchowski, Zak, "Callaway Mack Daddy 2 PM Grind Wedges" (<http://golfwrz.com/276203/callaway-mack-daddy-2-pm-grind-wedges/>), www.golfwrz.com, Golfwrz Holdings, LLC, Published Jan. 21, 2015.
Wall, Jonathan, "Details: Phil's Prototype Mack Daddy PM-Grind Wedge," (<http://www.pgatour.com/equipmentreport/2015/01/21/>)

(56)

References Cited

OTHER PUBLICATIONS

callaway-wedge.html), www.pgatour.com, PGA Tour, Inc., Published Jan. 21, 2015.

* cited by examiner

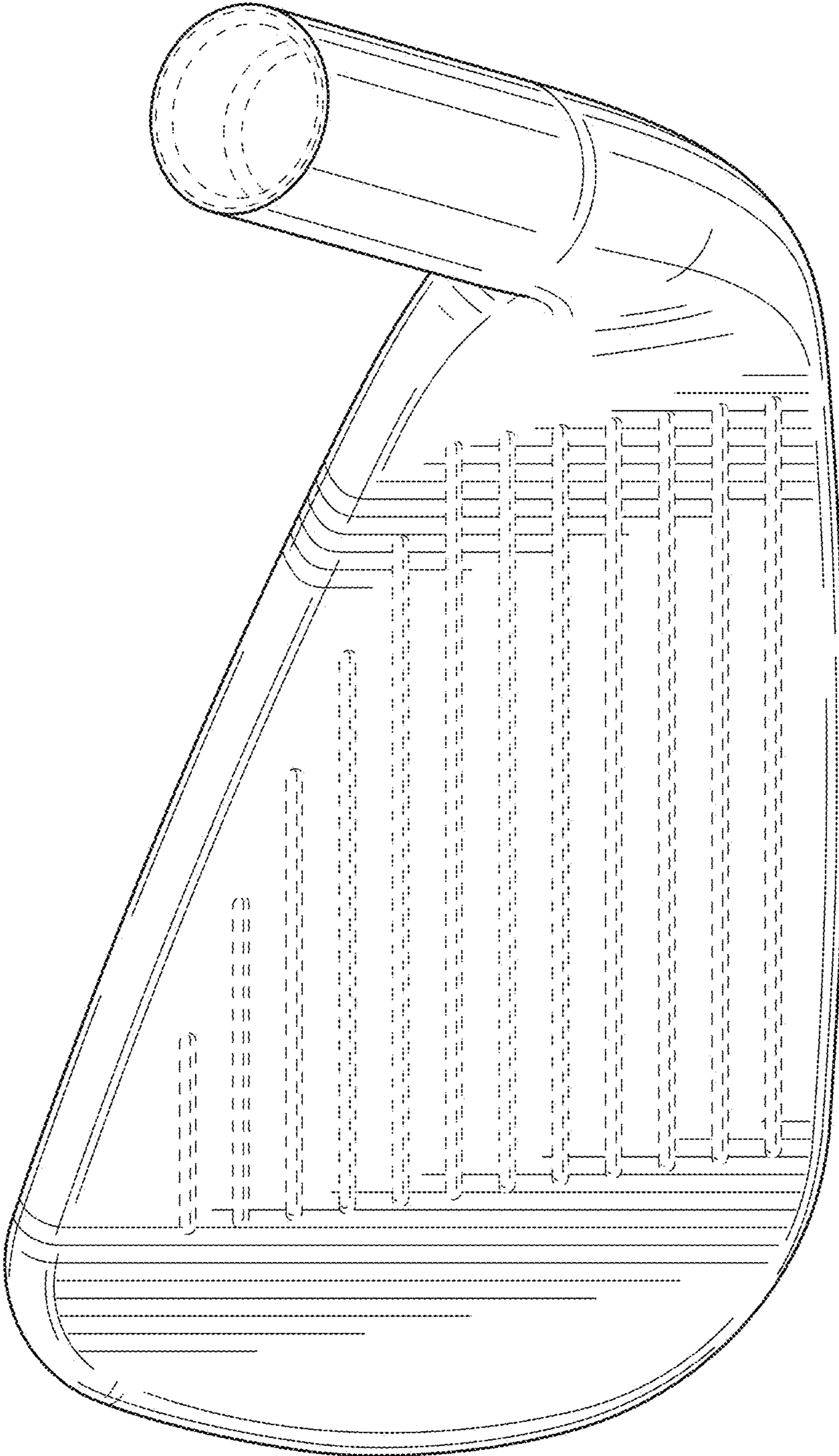


FIG. 1

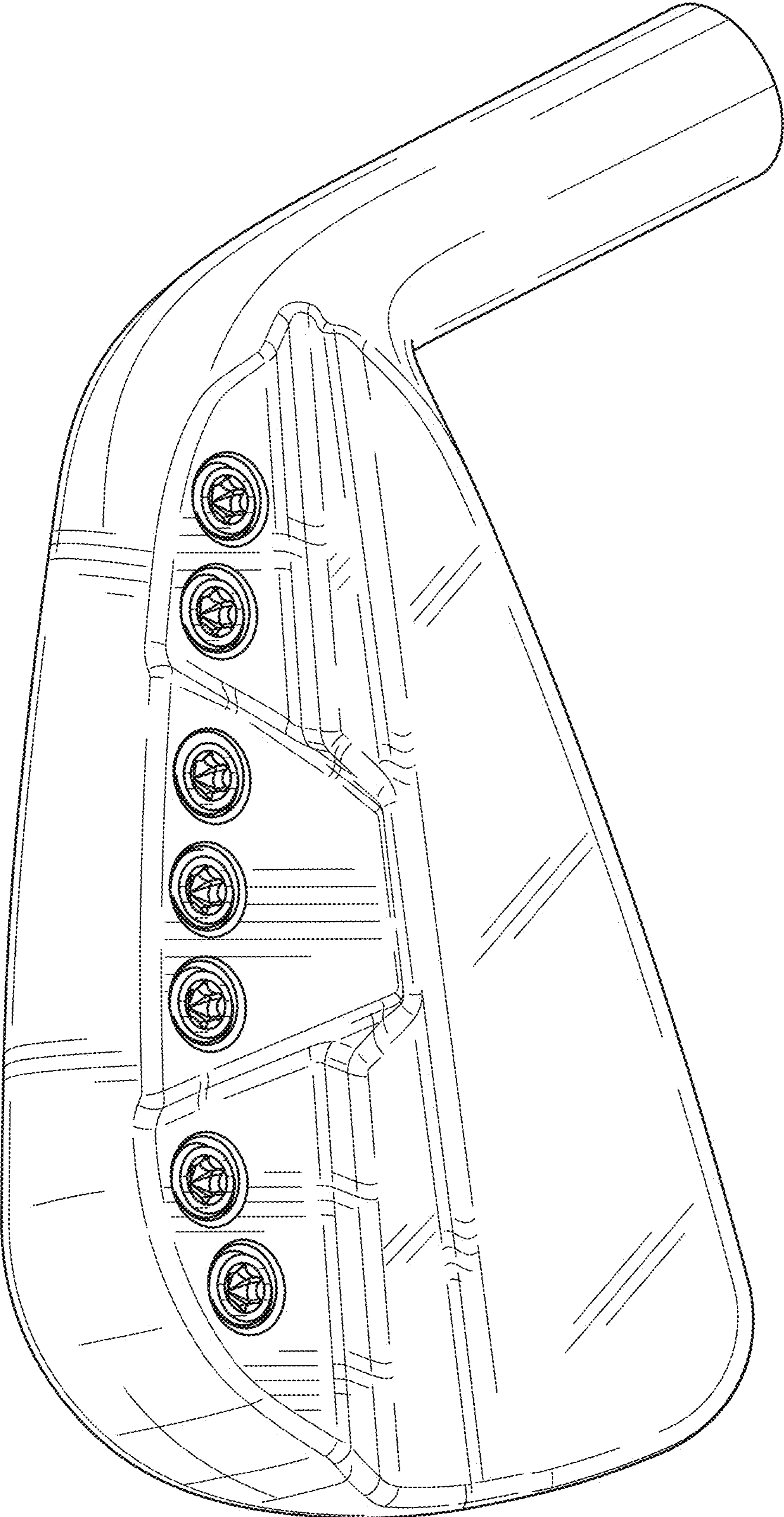


FIG. 2

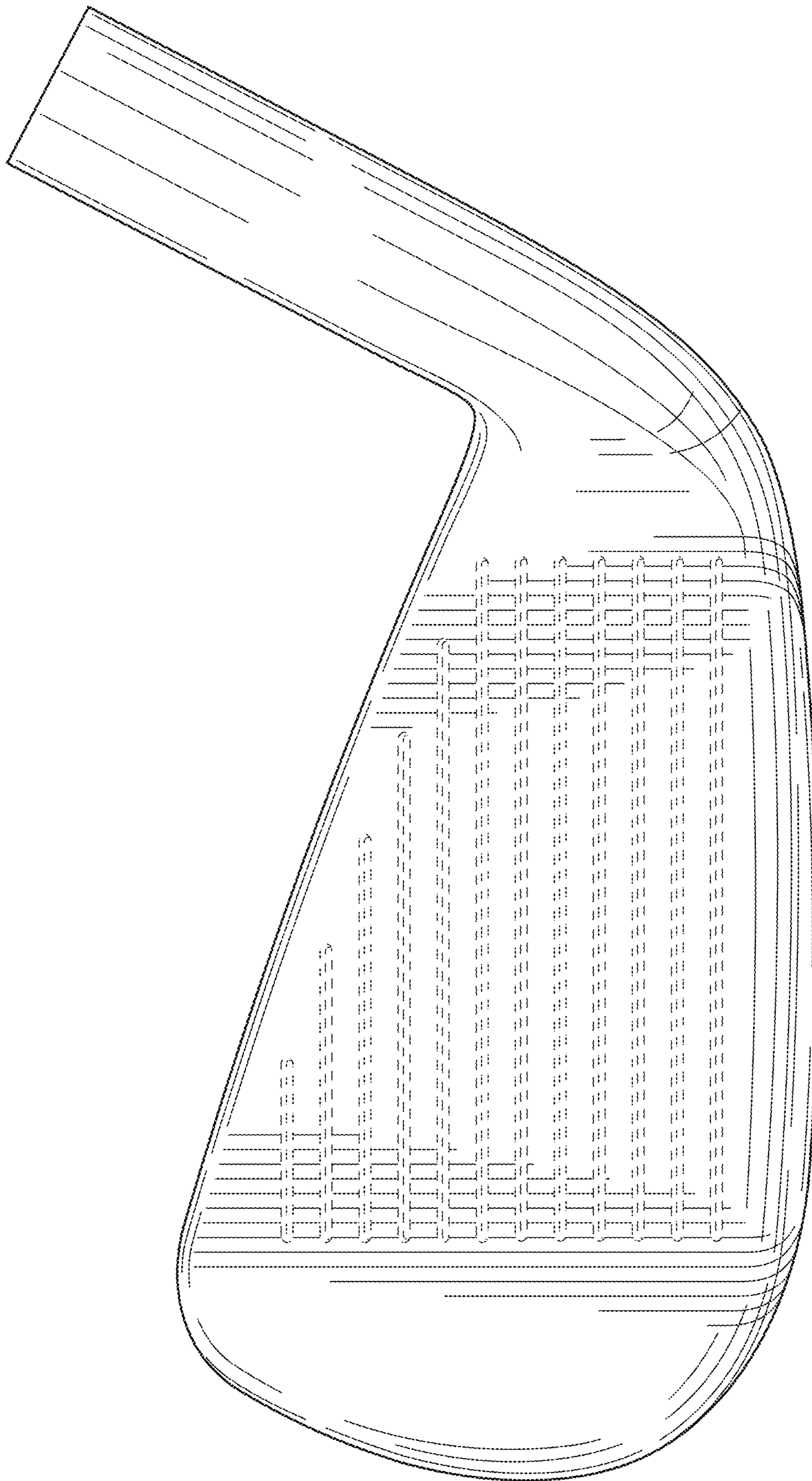


FIG. 3

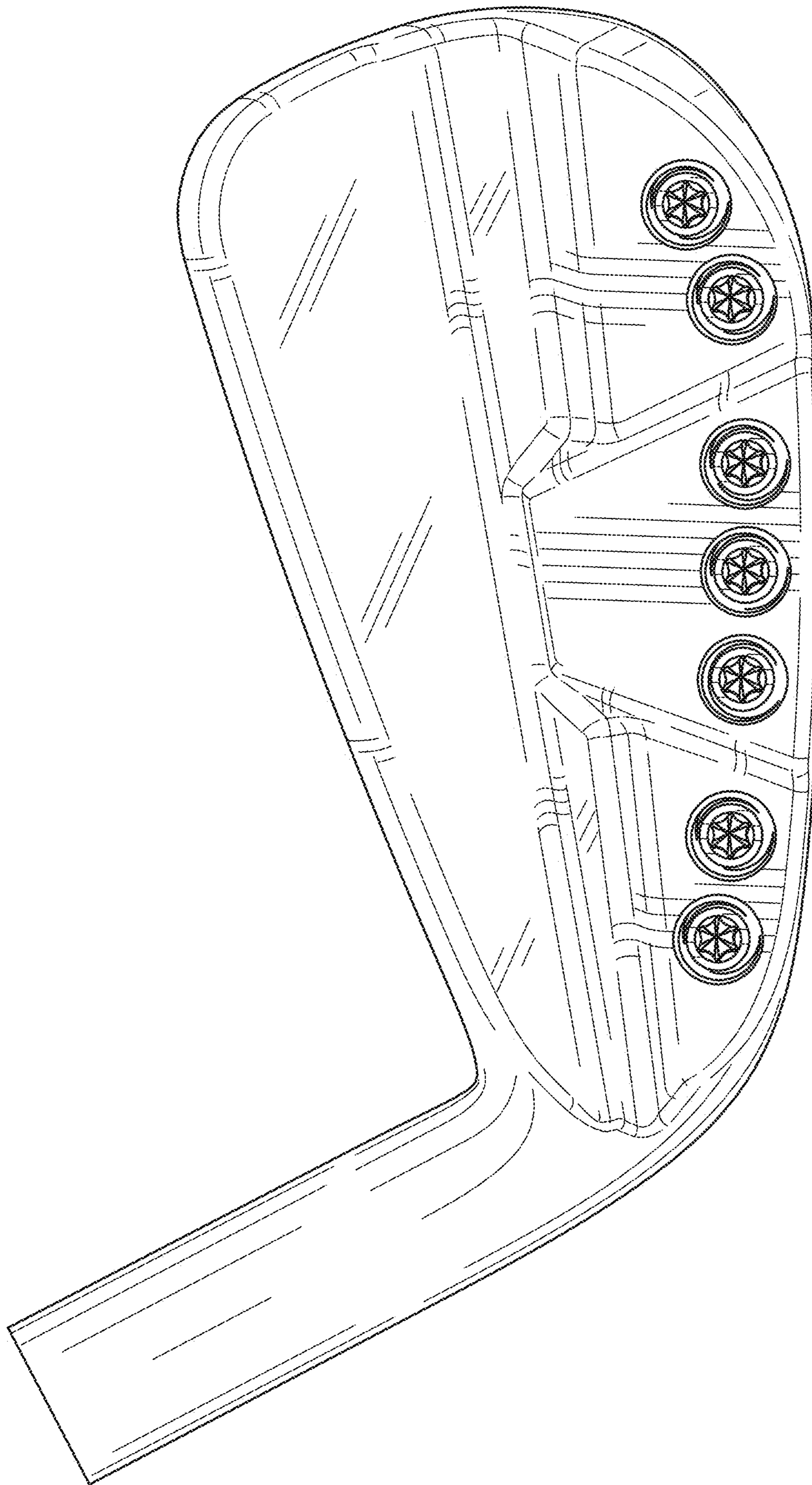


FIG. 4

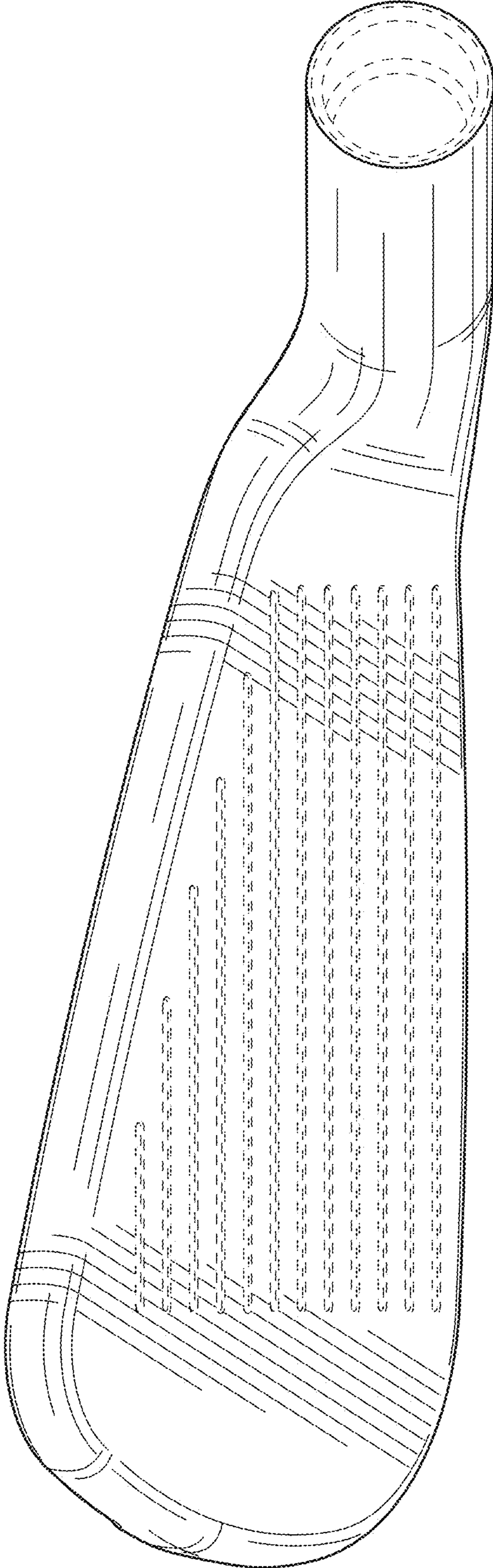


FIG. 5

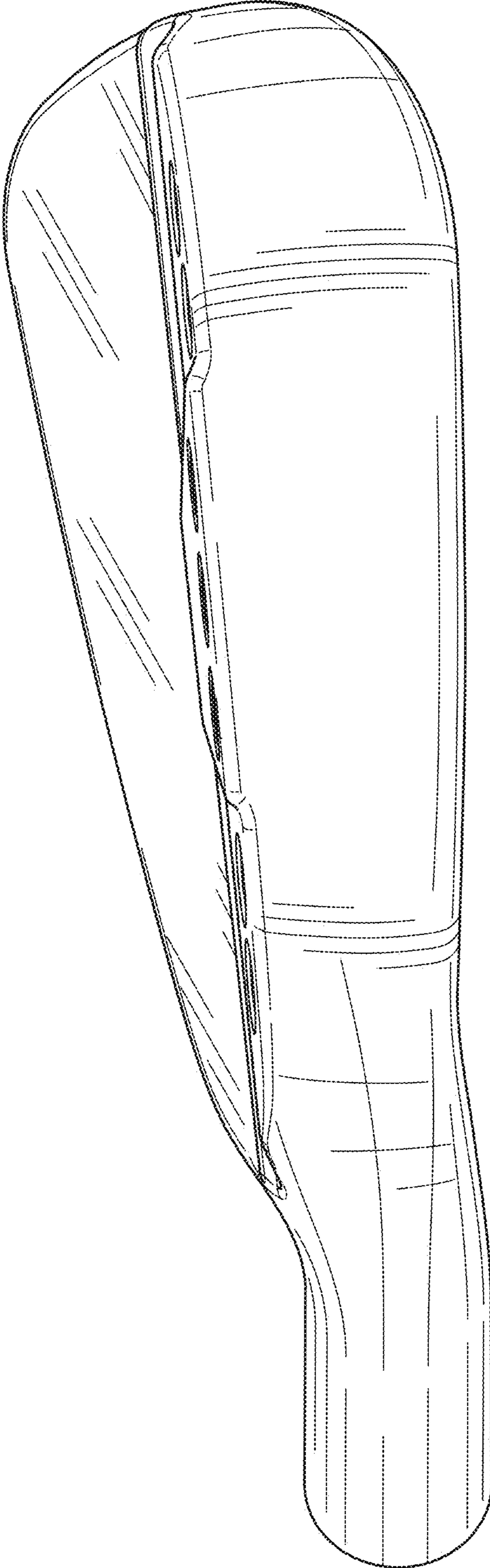


FIG. 6

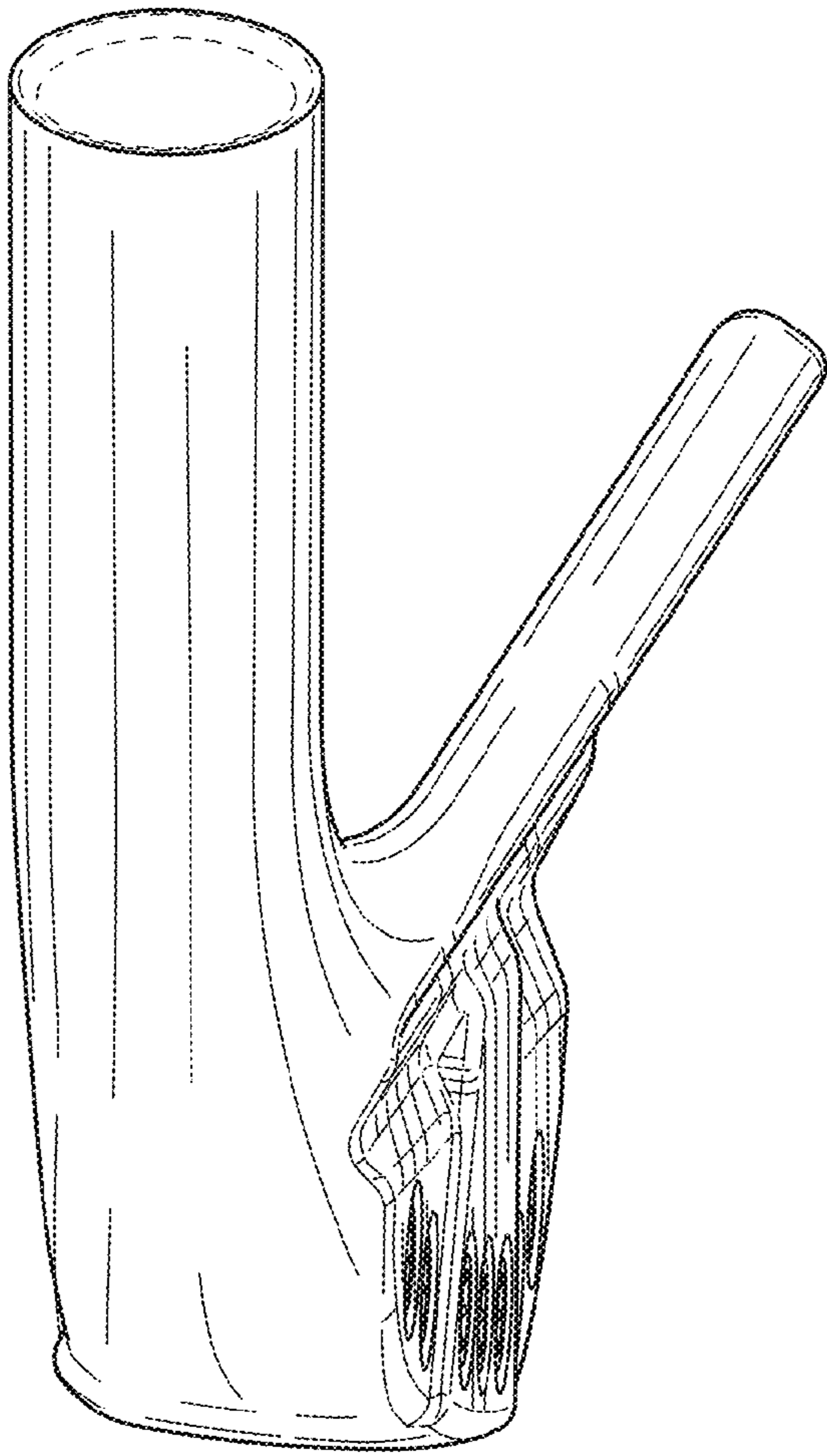


FIG. 7

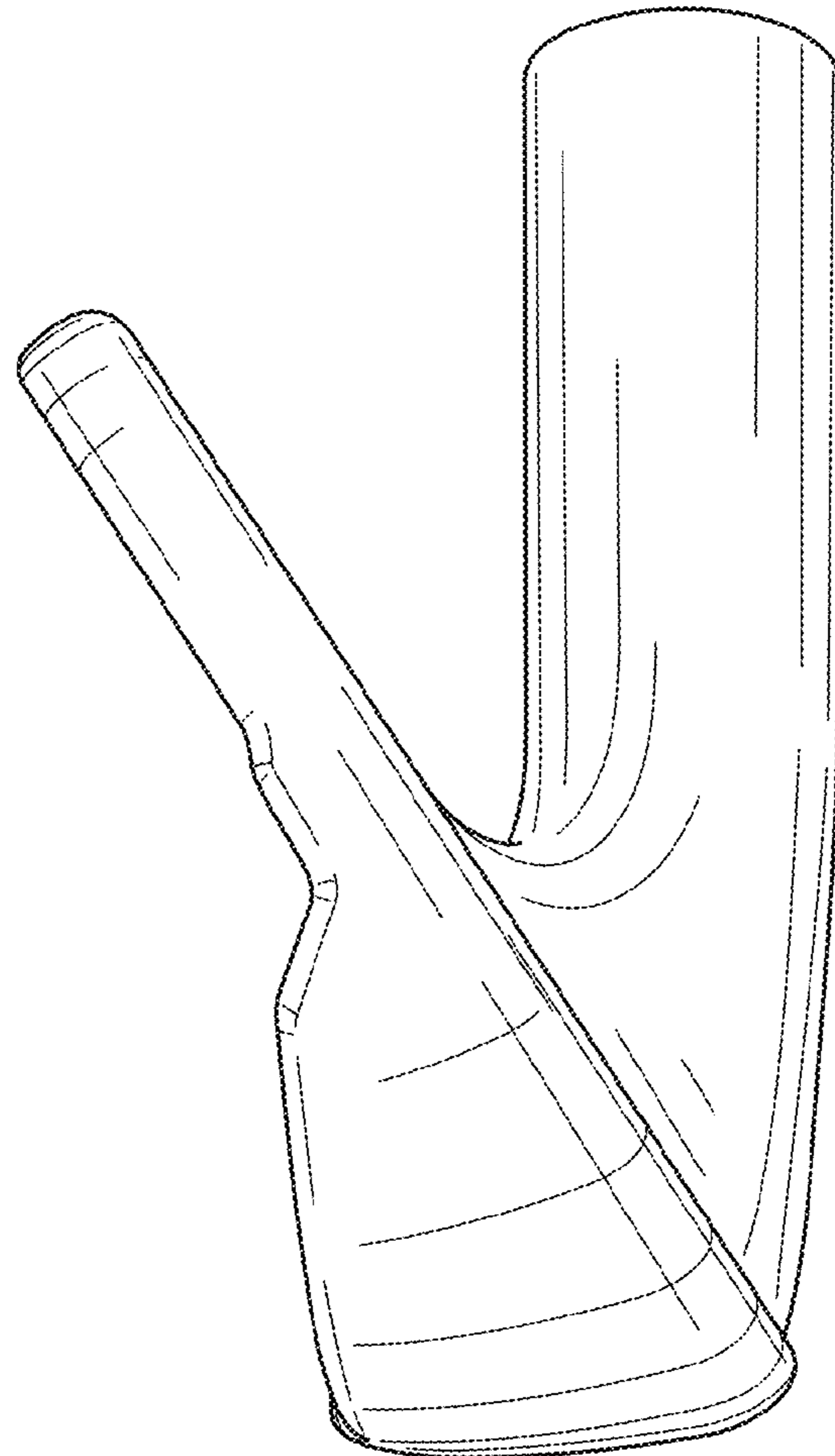


FIG. 8