



US00D915534S

(12) **United States Design Patent** (10) **Patent No.:** **US D915,534 S**
Adams (45) **Date of Patent:** **** Apr. 6, 2021**

(54) **WEIGHT RACK WITH NAME PLATE**

(71) Applicant: **Coulter Ventures, LLC.**, Columbus, OH (US)

(72) Inventor: **Bryan Adams**, Columbus, OH (US)

(73) Assignee: **Coulter Ventures, LLC.**, Columbus, OH (US)

(**) Term: **15 Years**

(21) Appl. No.: **29/706,991**

(22) Filed: **Sep. 25, 2019**

(51) **LOC (13) Cl.** **21-02**

(52) **U.S. Cl.**
USPC **D21/694; D21/686**

(58) **Field of Classification Search**
USPC D21/694, 686, 676, 673, 690, 681, 680, D21/682, 688, 663, 679, 691, 674; 482/131, 38, 142, 130, 94, 145, 108, 104, 482/129, 120, 98; D12/203, 130, 406; D24/188; D8/330; D6/536, 553
CPC A63B 21/0628; A63B 21/4035; A63B 21/078; A63B 21/075; A63B 21/063; A63B 21/0728; A63B 21/072; A63B 23/1218; A63B 23/1209; A63B 23/12; A63B 21/0783; A63B 21/4017
See application file for complete search history.

(56) **References Cited**

U.S. PATENT DOCUMENTS

2,067,403 A	1/1937	Lea
D212,021 S	8/1968	Gregory
4,527,797 A	7/1985	Slade, Jr. et al.
4,666,154 A	5/1987	Lipscomb et al.
D291,338 S	8/1987	Ringel et al.
4,907,798 A	3/1990	Burchatz
5,203,752 A	4/1993	Frankel
5,273,506 A	12/1993	Dawson, Jr.
5,372,556 A	12/1994	Ropp
5,395,296 A	3/1995	Webster et al.

(Continued)

OTHER PUBLICATIONS

Product listing for Rogue RM-6 Monster Rack from <https://web.archive.org/web/20180725062357/https://www.roguefitness.com/rogue-rm-6-bolt-together-monster-rack-2-0>, dated Jul. 25, 2018.

(Continued)

Primary Examiner — Ryan Harvey

(74) *Attorney, Agent, or Firm* — Banner & Witcoff, Ltd.

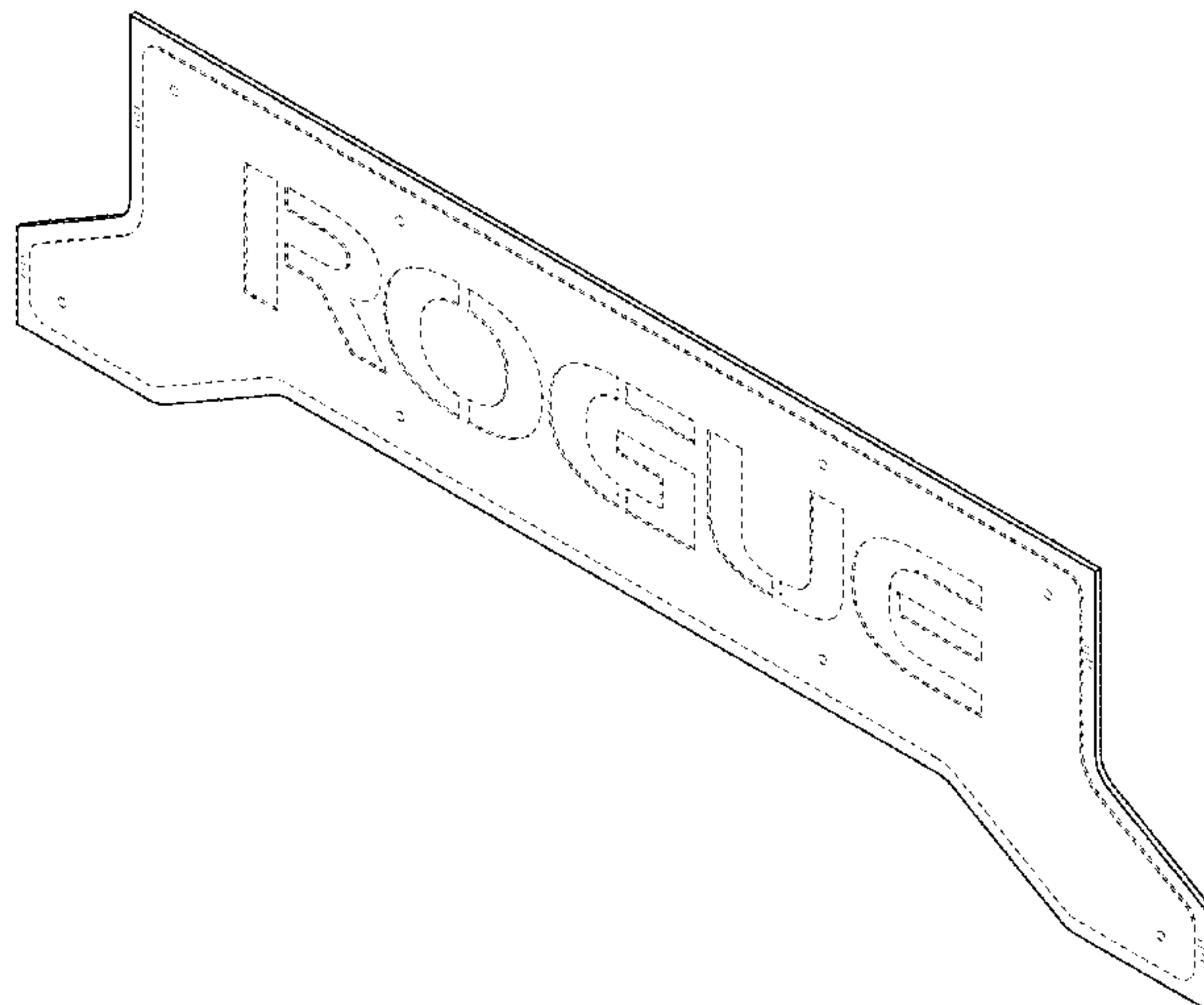
(57) **CLAIM**

The ornamental design for a weight rack with name plate, as shown and described.

DESCRIPTION

FIG. 1 is a top, front, left perspective view of a weight rack with name plate showing my new design; FIG. 2 is a front view thereof; FIG. 3 is a rear view thereof; FIG. 4 is a left side view thereof; FIG. 5 is a right side view thereof; FIG. 6 is a top view thereof; FIG. 7 is a bottom view thereof; FIG. 8 is a top, front, left perspective view of the name plate of the weight rack with name plate of FIGS. 1-7, showing my new design; FIG. 9 is a front view thereof; FIG. 10 is a rear view thereof; FIG. 11 is a top view thereof; FIG. 12 is a bottom side view thereof; FIG. 13 is a left side thereof; and, FIG. 14 is a right side view thereof. The broken lines immediately adjacent to the shaded areas define the bounds of the claimed design and form no part thereof. The broken lines depicting the remainder of the weight rack with name plate show features that form no part of the claimed design.

1 Claim, 10 Drawing Sheets



(56)

References Cited

U.S. PATENT DOCUMENTS

D358,623 S 5/1995 Macasieb
 5,411,453 A 5/1995 Wilson
 5,928,119 A 7/1999 Dinkel
 6,220,988 B1* 4/2001 Williams A63B 23/12
 482/108
 D496,248 S 9/2004 Liebendorfer
 D549,291 S 8/2007 Grider
 D550,790 S 9/2007 Staten
 D550,791 S 9/2007 Rogers et al.
 D550,792 S 9/2007 Rogers et al.
 D550,793 S 9/2007 Rogers et al.
 D551,306 S 9/2007 Rogers et al.
 D629,472 S 12/2010 Rhodes
 D635,206 S 3/2011 Henniger
 D636,038 S 4/2011 Henniger
 D636,040 S 4/2011 Henniger
 8,016,686 B2 9/2011 Liggett et al.
 RE43,397 E 5/2012 Rogers et al.
 D664,622 S 7/2012 Orsulak et al.
 D664,624 S 7/2012 Orsulak et al.
 D672,419 S 12/2012 Stroit
 D697,988 S 1/2014 Januszek
 D698,402 S 1/2014 Saletta
 D699,805 S 2/2014 Green
 8,876,673 B2 11/2014 Inglut
 8,998,781 B1 4/2015 Nelson
 D734,410 S 7/2015 Childs et al.
 9,095,742 B2 8/2015 Henniger et al.
 D742,979 S 11/2015 Post
 9,192,799 B2 11/2015 Alenaddaf
 9,278,246 B2 3/2016 Tambornino et al.
 D762,789 S 8/2016 Gilchrist
 D767,692 S 9/2016 Kuka
 D767,693 S 9/2016 Kuka
 9,492,701 B1 11/2016 Bogantz
 D781,453 S 3/2017 Gomez
 9,610,490 B2 4/2017 Tambornino et al.
 D788,945 S 6/2017 Meyer
 D794,144 S 8/2017 Abelbeck et al.
 D815,305 S 4/2018 Alvarado et al.
 D818,547 S* 5/2018 Meredith D21/686
 D836,172 S 12/2018 Kuka
 10,226,661 B2 3/2019 Henniger et al.
 D852,291 S* 6/2019 Meredith D21/694
 10,307,634 B2 6/2019 Young
 D852,907 S 7/2019 Sergakis
 D883,406 S* 5/2020 Sergakis D21/686
 D888,850 S* 6/2020 Smith, Jr. D21/686
 2007/0032357 A1 2/2007 Piane
 2007/0155594 A1 7/2007 Rogers et al.
 2007/0155595 A1 7/2007 Rogers et al.
 2007/0155596 A1 7/2007 Rogers et al.
 2012/0142506 A1 6/2012 Hetrick et al.
 2012/0329613 A1 12/2012 Schiano
 2013/0274080 A1 10/2013 Matsushita
 2013/0296143 A1 11/2013 Staten et al.
 2013/0296146 A1 11/2013 Staten et al.
 2013/0324382 A1 12/2013 Wilson
 2014/0014604 A1 1/2014 de Moraes Correia
 2014/0087928 A1 3/2014 Luedeka
 2014/0135183 A1 5/2014 Inglut
 2014/0274563 A1 9/2014 Sheta
 2015/0011370 A1 1/2015 Henniger
 2015/0014212 A1 1/2015 Beaver et al.
 2015/0016919 A1 1/2015 Tambornino et al.
 2015/0059257 A1 3/2015 Beaver et al.
 2015/0065316 A1 3/2015 Towley, III et al.
 2015/0196119 A1 7/2015 Henniger
 2015/0290488 A1 10/2015 Hopperstad et al.
 2016/0023035 A1 1/2016 Meyer
 2017/0007877 A1 1/2017 Leipheimer
 2017/0056705 A1 3/2017 Zha et al.
 2017/0080276 A1 3/2017 Rodrigues
 2017/0120099 A1 5/2017 Biddix, Jr.
 2017/0189736 A1 7/2017 Martin

2017/0246496 A1 8/2017 Nelson et al.
 2018/0036573 A1 2/2018 Lennox et al.
 2018/0117382 A1* 5/2018 Johanson A63B 21/00047
 2018/0178051 A1 6/2018 Shaw, Jr.
 2018/0243597 A1 8/2018 Schlegel
 2018/0326250 A1 11/2018 Henniger et al.
 2018/0353795 A1* 12/2018 Ostmeyer A63B 23/035
 2019/0009157 A1 1/2019 Sudeith et al.
 2019/0240521 A1 8/2019 Staten
 2019/0269992 A1* 9/2019 Dunahay A47B 47/0083
 2019/0275363 A1 9/2019 Jones et al.
 2020/0179744 A1* 6/2020 Arroyo A63B 21/0626

OTHER PUBLICATIONS

Product listing for Rogue Monster Lite Crossmembers from <https://web.archive.org/web/20180726214651/https://www.roguefitness.com/monster-lite-crossmembers>, dated Jul. 26, 2018.
 Product listing for Rogue Monster Crossmembers from <https://web.archive.org/web/20151005121212/http://www.roguefitness.com/rogue-monster-crossmembers>, dated Oct. 5, 2015.
 Product listing for Rogue Monster Lite Crossmembers from <https://web.archive.org/web/20150831043319/http://www.roguefitness.com/monster-lite-crossmembers>, dated Aug. 31, 2015.
 Product listing for Monster Lite Monkey Rig 2.0 from <https://web.archive.org/web/20161202195146/http://www.roguefitness.com/rogue-monster-lite-monkey-rig-2-0>, dated Dec. 2, 2016.
 Product listing for Rogue Echo Rig from <https://web.archive.org/web/20160518084653/http://www.roguefitness.com/echo-rig>, dated May 18, 2016.
 Product listing for Rogue Monster Lite Rig 2.0 from <https://web.archive.org/web/20160511215330/http://www.roguefitness.com/monster-lite-rig-2-0>, dated May 11, 2016.
 Product listing for Rogue Monster Rig 2.0 from <https://web.archive.org/web/20160511213413/http://www.roguefitness.com/monster-rig-2-0>, dated May 11, 2016.
 Product listing for Rogue Monster Rig from <https://web.archive.org/web/20160317072250/http://www.roguefitness.com/monster-rig>, dated Mar. 17, 2016.
 Product listing for Rogue Infinity Rig from <https://web.archive.org/web/20160518082947/http://www.roguefitness.com/infinity-rig>, dated May 18, 2016.
 Photos of Rogue Regional Rig, known to be publicly disclosed prior to Apr. 25, 2017.
 Photos of Rogue Regional Rig from <https://twitter.com/roguefitness/status/865599795754180608>, dated May 19, 2017.
 Screenshots taken from https://www.youtube.com/watch?v=OWN6HYHR0_Y, dated Jul. 28, 2017.
 Roguefitness, “Rogue Monster Climbing Hold Crossmembers”, Jan. 14, 2020. https://www.roguefitness.com/rogue-monster-climbing-hold-crossmember?prod_id=67426&gclid=CjwKCAiA6vXwBRBKEiwAYE7iS_Zy9bmf6yJAtCsxaQrVrJkdDypcRxqH6MGaAQf7xiwX6WZiCo0xoCGLAQAvD_BwE. Shown on p. 1. (Year: 2020).
 Product listing for Rogue Monster Lite Monkey Rig 2.0 from <https://web.archive.org/web/20170629153857/http://www.roguefitness.com/rogue-monster-lite-monkey-rig-2-0>, dated Jun. 29, 2017.
 Product listing for Rogue Monster Wingspan Rig from <https://www.roguefitness.com/rogue-monster-wingspan-rig>, dated Mar. 20, 2020, product available prior to Jul. 31, 2018.
 Product listing for Rogue Monster Crossmembers from <https://web.archive.org/web/20180831022022/https://www.roguefitness.com/rogue-monster-crossmembers>, dated Aug. 31, 2018.
 Product listing for Rogue Monster Crossmembers from <https://web.archive.org/web/20151005121212/https://www.roguefitness.com/rogue-monster-crossmembers>, dated Oct. 5, 2015.
 Product listing for Monster Lite Crossmembers from <https://web.archive.org/web/20180726214651/https://www.roguefitness.com/monster-lite-crossmembers>, dated Jul. 26, 2018.
 Product listing for Rogue Infinity Crossmembers from <https://web.archive.org/web/20171106183221/http://www.roguefitness.com/rogue-infinity-crossmembers>, dated Nov. 6, 2017.

(56)

References Cited

OTHER PUBLICATIONS

Product listing for Rogue Infinity Crossmembers from <https://web.archive.org/web/20151005114744/http://www.roguefitness.com/rogue-infinity-crossmembers>, dated Oct. 5, 2015.

Product listing for Rogue Echo Crossmembers from <https://web.archive.org/web/20151005124555/http://www.roguefitness.com/rogue-echo-crossmembers>, dated Oct. 5, 2015.

* cited by examiner

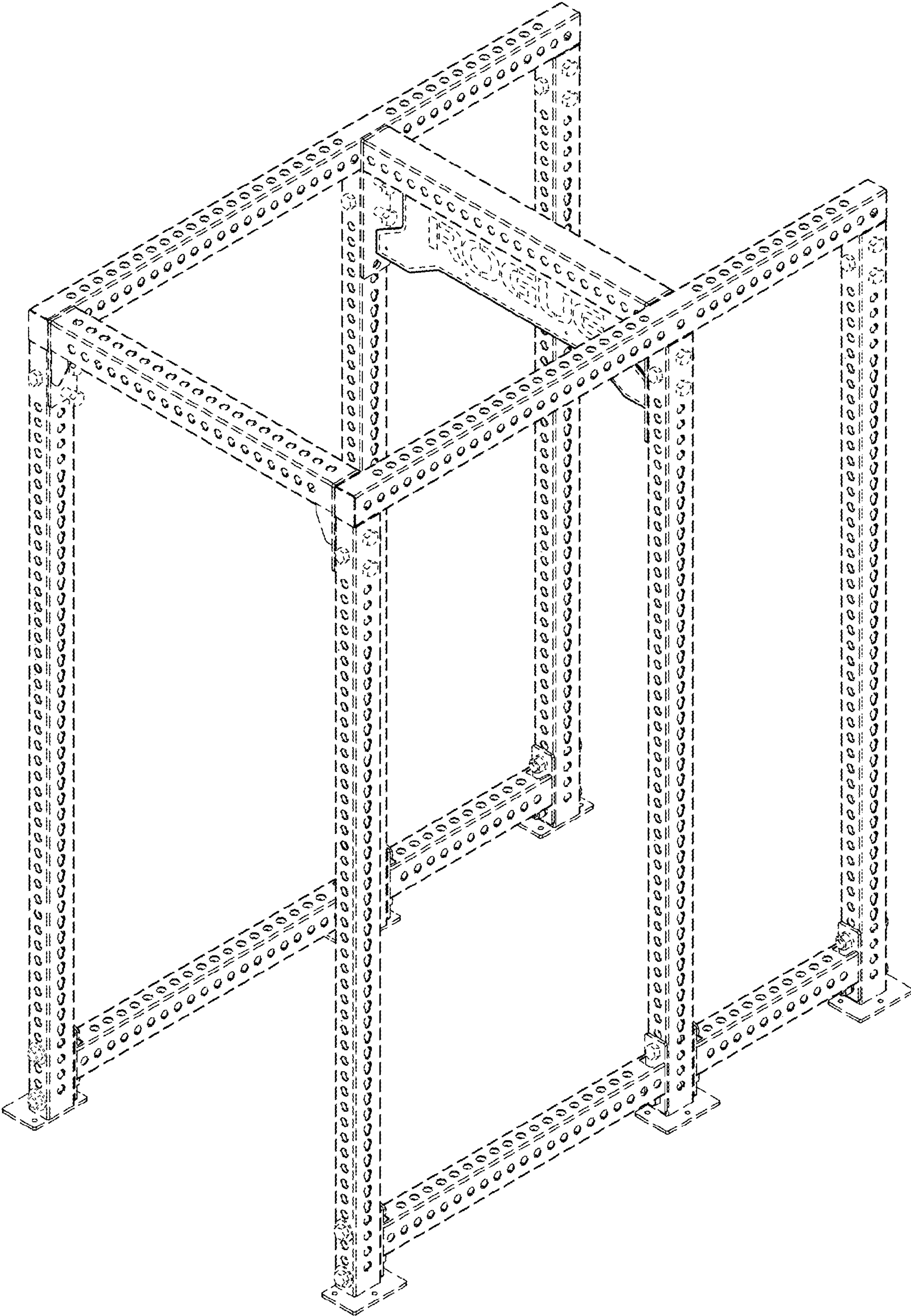


FIG. 1

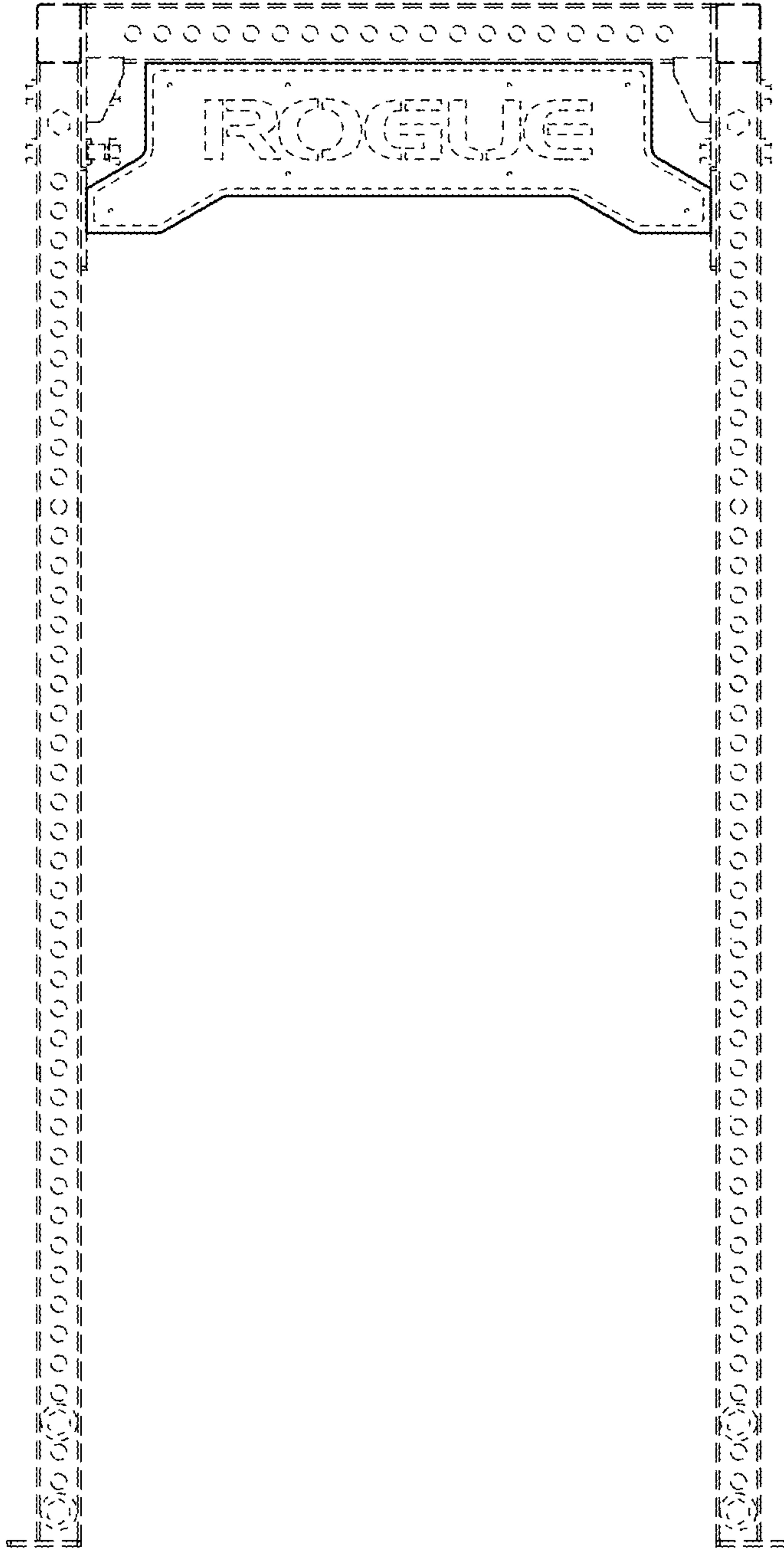


FIG. 2

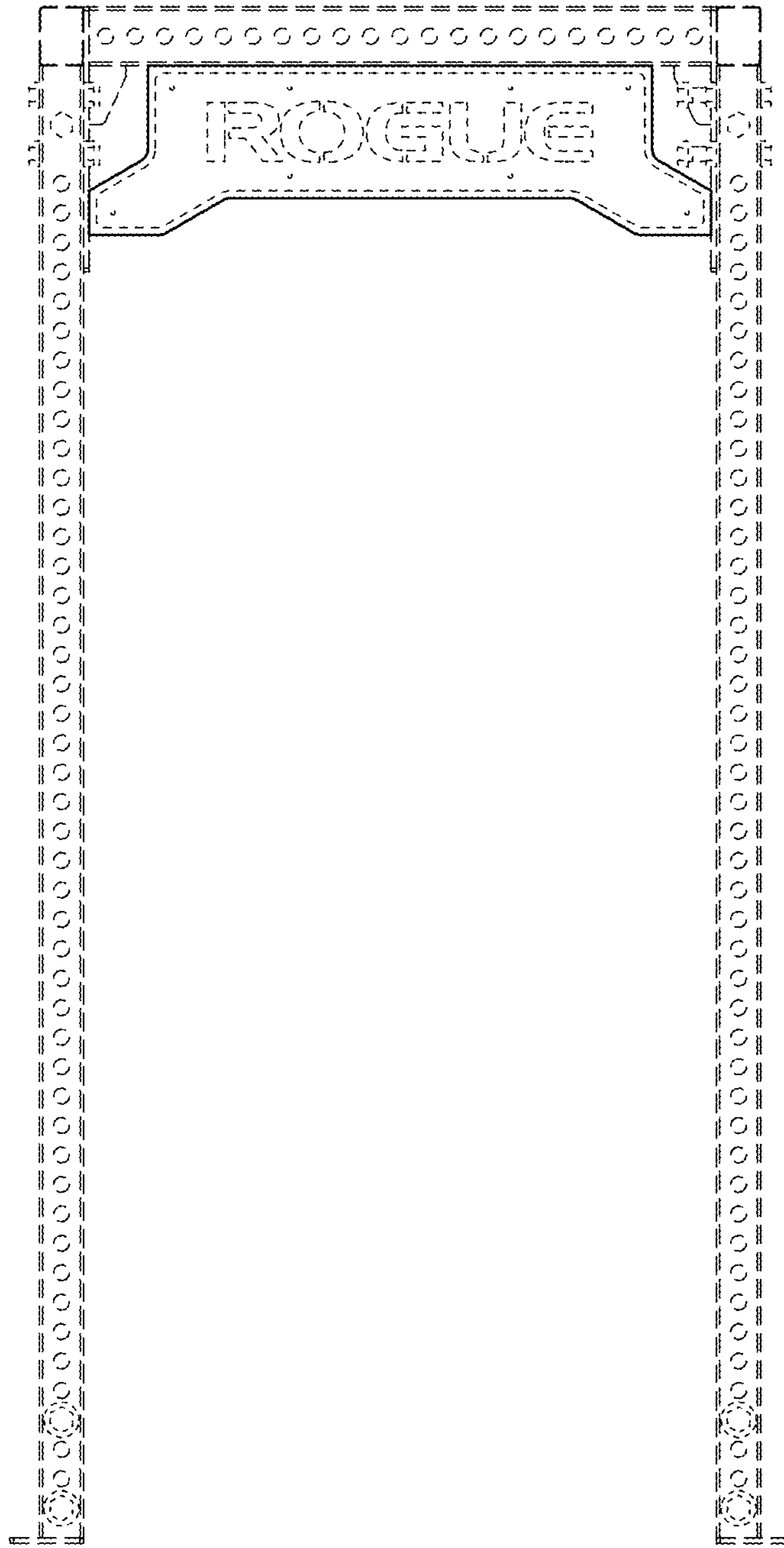


FIG. 3

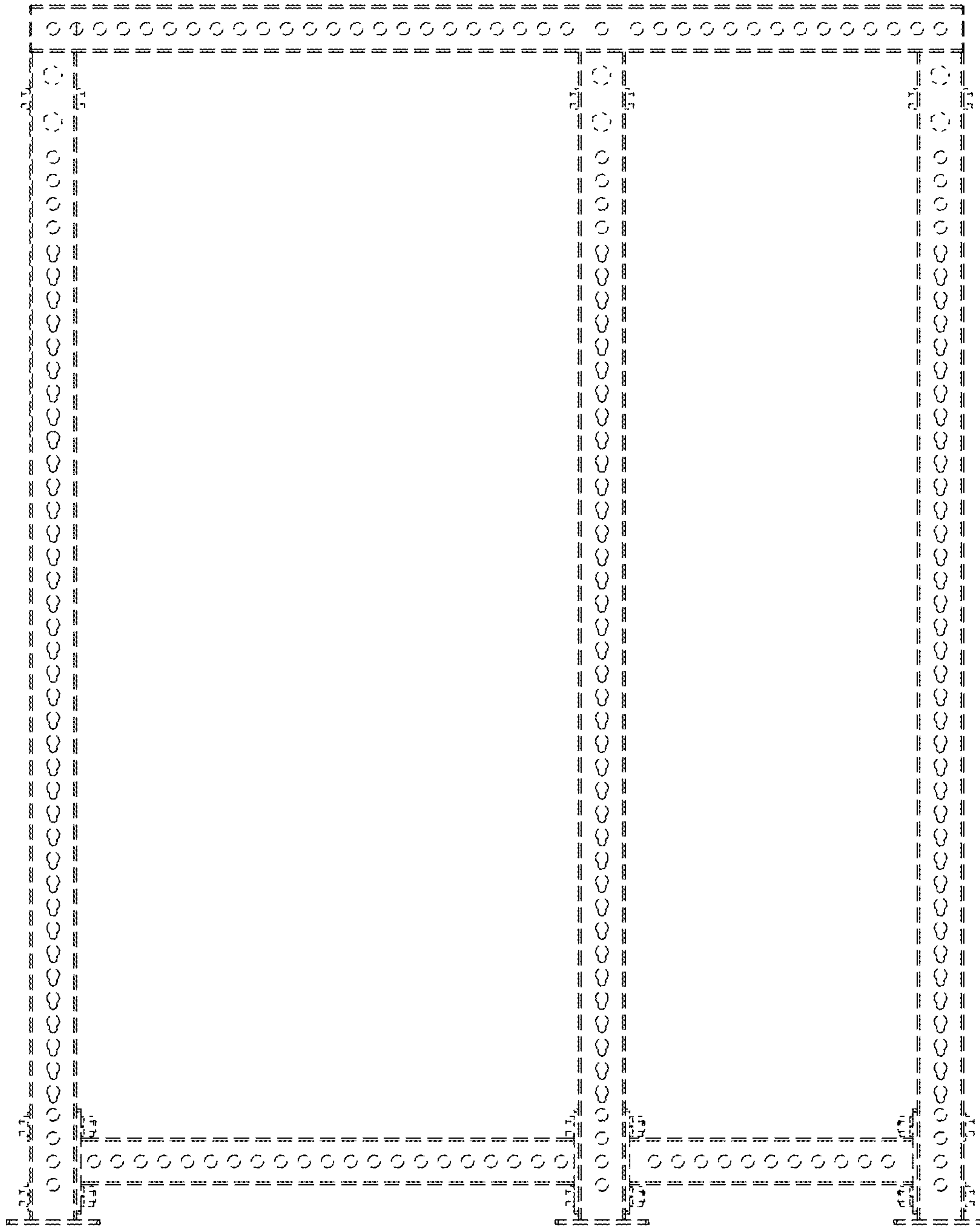


FIG. 4

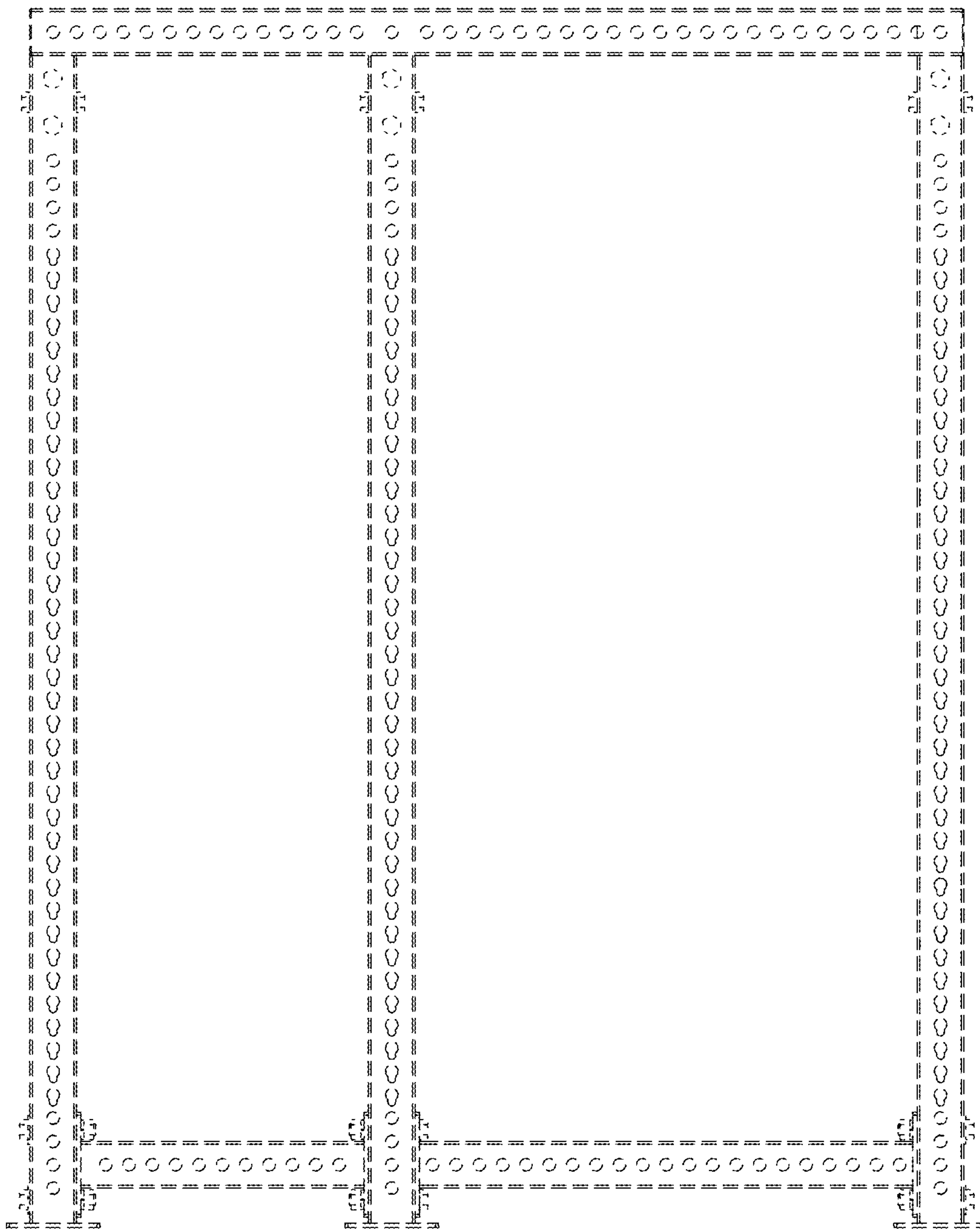


FIG. 5

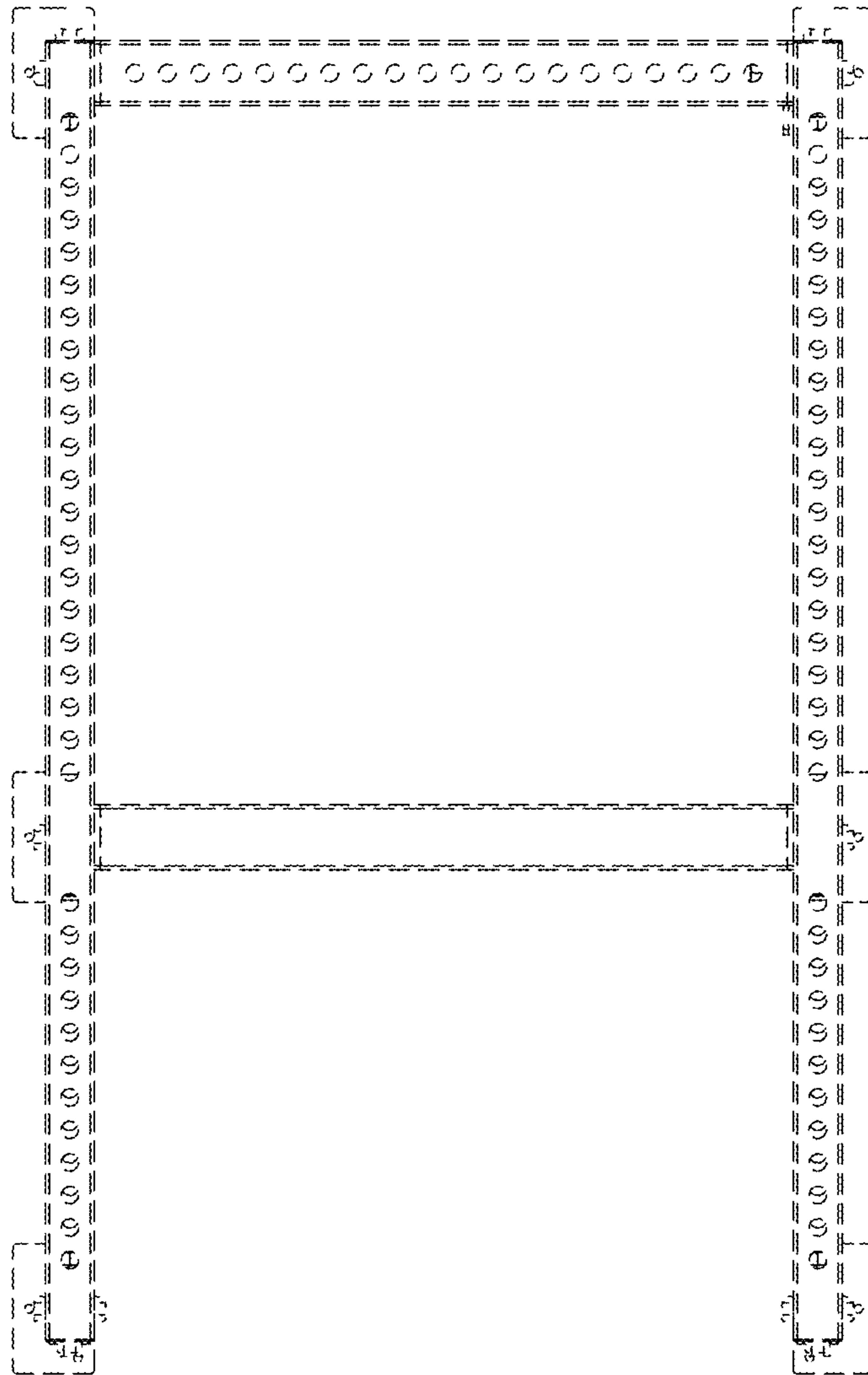


FIG. 6

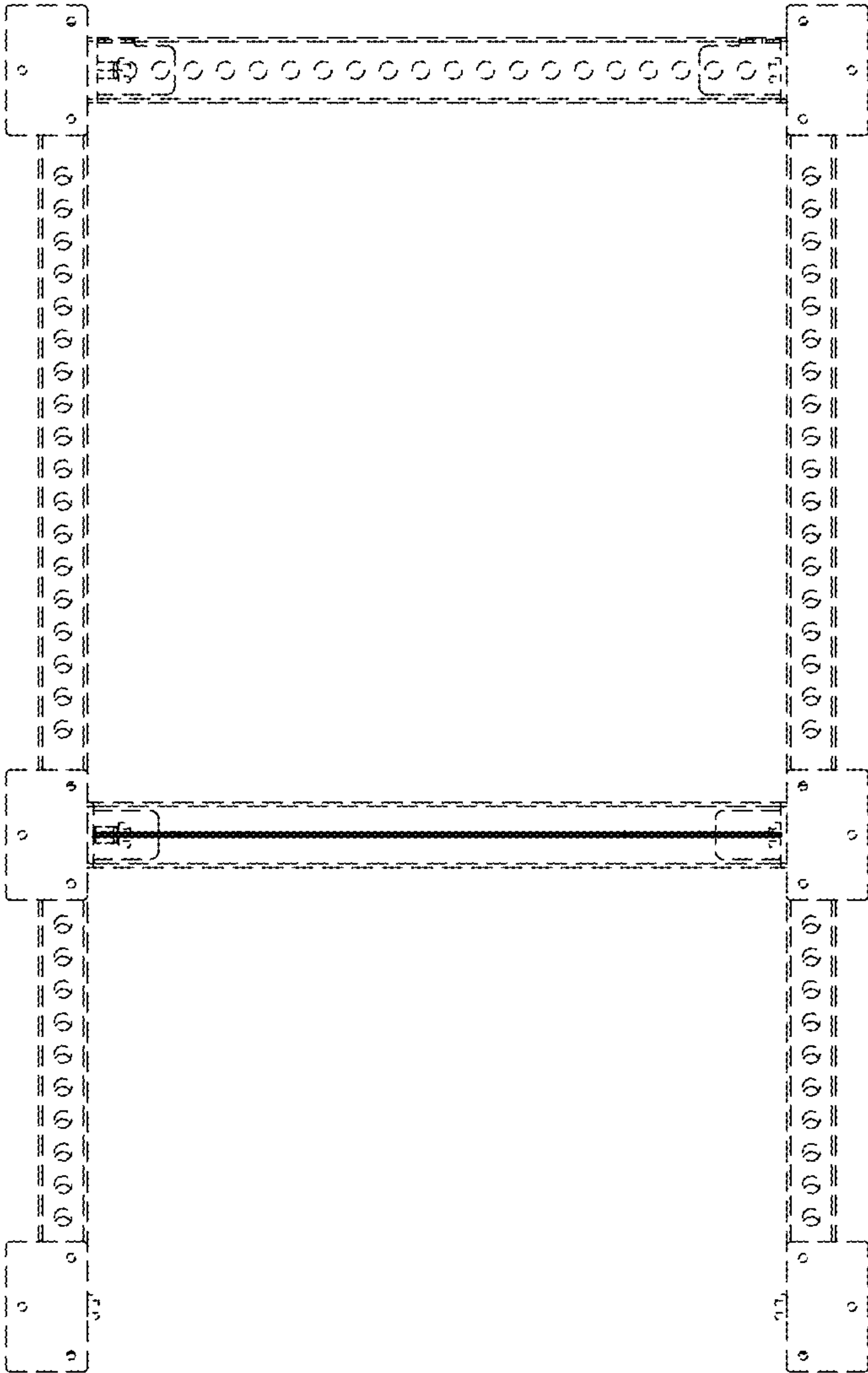


FIG. 7

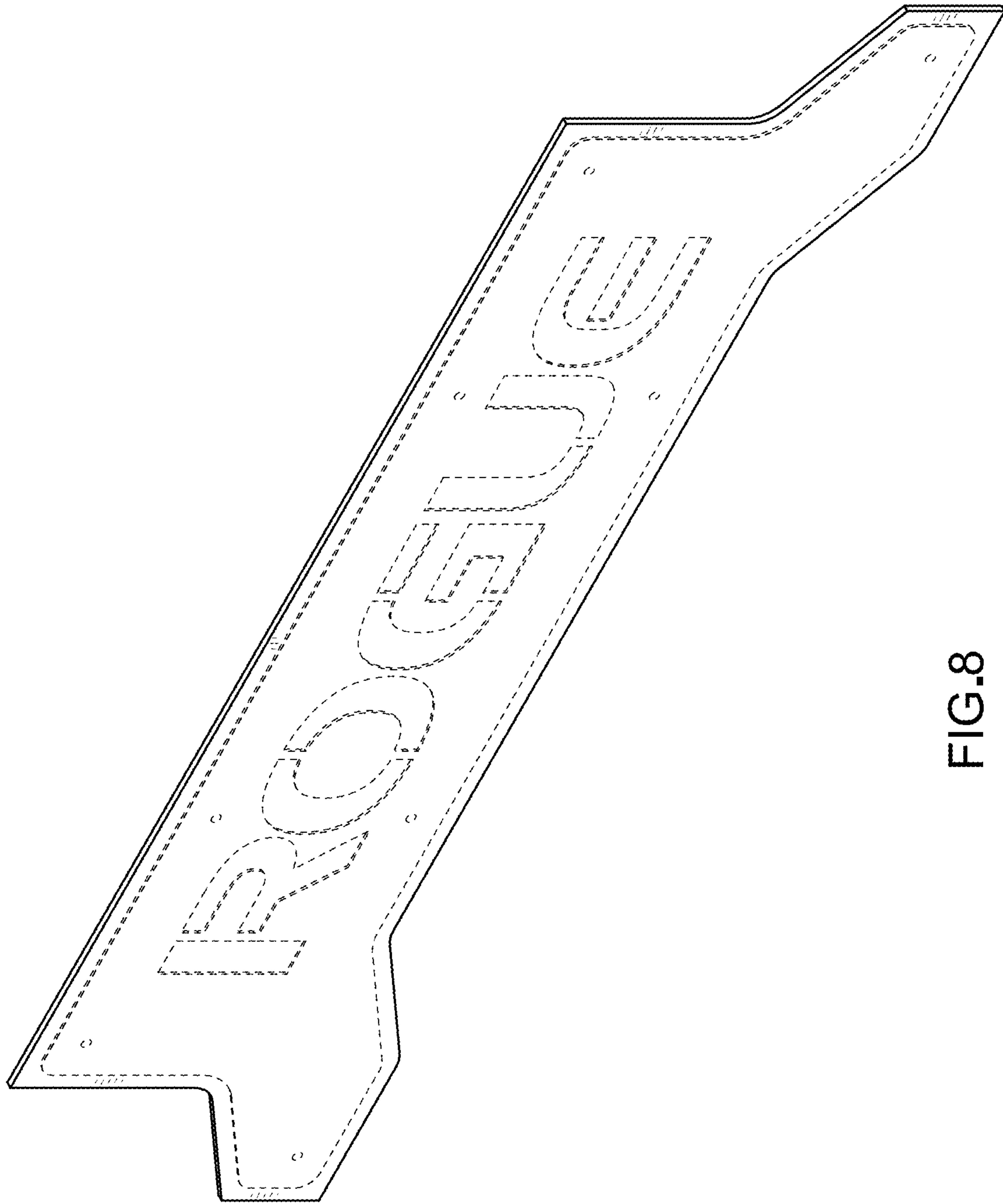


FIG.8

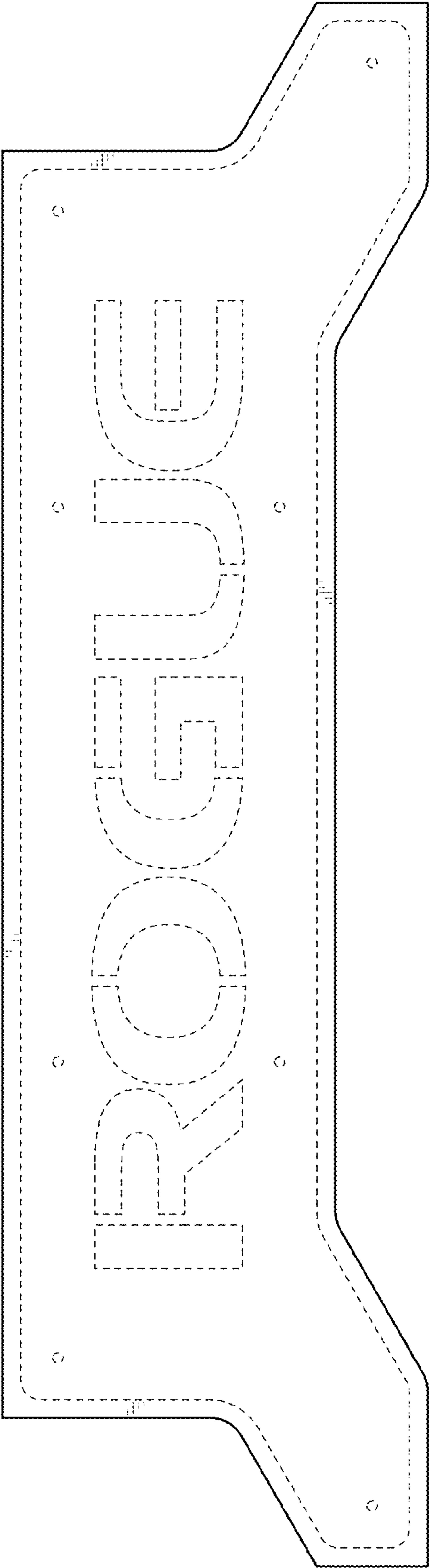


FIG.9

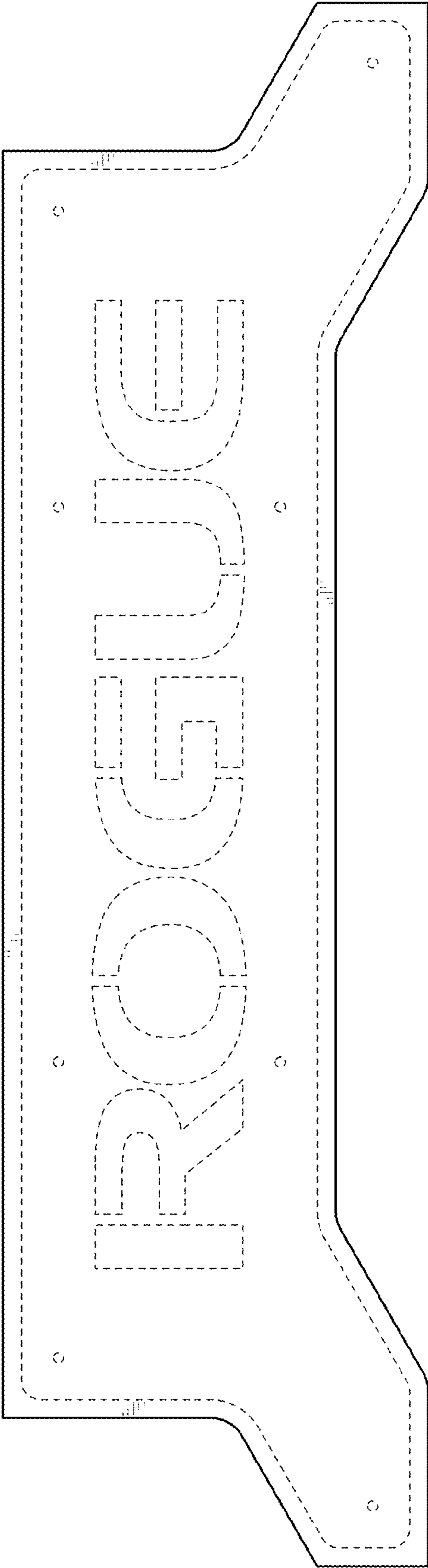


FIG.10



FIG. 11



FIG. 12

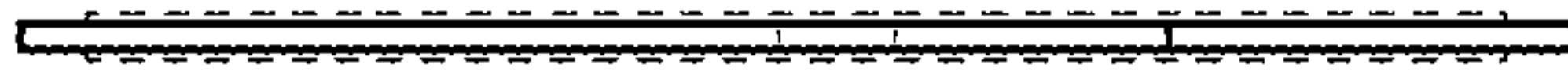


FIG. 13

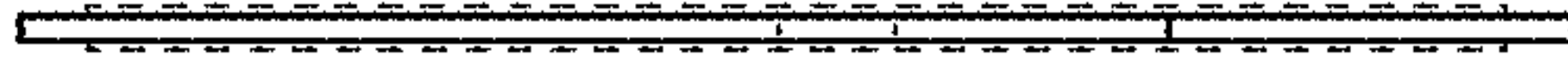


FIG. 14