



US00D915531S

(12) **United States Design Patent**
Dunahay

(10) **Patent No.:** **US D915,531 S**

(45) **Date of Patent:** **** Apr. 6, 2021**

(54) **PLATFORM**

(71) Applicant: **Coulter Ventures LLC**

(72) Inventor: **Nash Dunahay**, Gahanna, OH (US)

(73) Assignee: **Coulter Ventures, LLC.**, Columbus, OH (US)

(**) Term: **15 Years**

(21) Appl. No.: **29/638,927**

(22) Filed: **Mar. 1, 2018**

(51) **LOC (13) Cl.** **21-02**

(52) **U.S. Cl.**
USPC **D21/671**

(58) **Field of Classification Search**
USPC D6/705, 552, 672, 681.1; D21/671, 686,
D21/694, 690, 796, 662, 691; 482/104
CPC A63B 21/078; A63B 21/0783; A63B
21/4033
See application file for complete search history.

(56) **References Cited**

U.S. PATENT DOCUMENTS

D317,031 S *	5/1991	Ceppo	D21/691
D336,671 S *	6/1993	Novakoski	D21/686
D425,152 S *	5/2000	Ceppo	D21/662
D425,950 S *	5/2000	Ceppo	D21/662
D429,295 S *	8/2000	Ceppo	D21/662
D487,490 S *	3/2004	Evans	A63B 21/078 D21/686
6,732,480 B1 *	5/2004	Smith	E04D 15/00 52/126.1
D495,380 S *	8/2004	Ceppo	D21/686
D495,381 S *	8/2004	Ceppo	D21/686
D495,382 S *	8/2004	Ceppo	D21/686
D495,383 S *	8/2004	Ceppo	D21/686
D510,485 S *	10/2005	Selby	D6/330
D628,247 S *	11/2010	de Boers	D21/671
D681,750 S *	5/2013	Meyer-Hayoz	D21/686

D707,982 S *	7/2014	Chin	A63B 21/4035 D6/601
D720,505 S *	12/2014	Kersten	D30/121
D789,703 S *	6/2017	Qiao	A47C 7/68 D6/406.3
D807,973 S *	1/2018	Leonardo	D21/686
D831,373 S *	10/2018	Wilson	D6/406.3
D864,318 S *	10/2019	Szonyi	D21/686
D874,198 S *	2/2020	Dunahay	D6/705
D875,193 S *	2/2020	Sz nyi	D21/686
D875,855 S *	2/2020	Sandoval	D21/691

(Continued)

OTHER PUBLICATIONS

Product listing for Rogue Echo Pulling Block Set from <https://web.archive.org/web/20170528223535/https://www.roguefitness.com/rogue-echo-pulling-block-set> , dated May 28, 2017.

(Continued)

Primary Examiner — Mary Ann Calabrese
(74) *Attorney, Agent, or Firm* — Banner & Witcoff, Ltd.

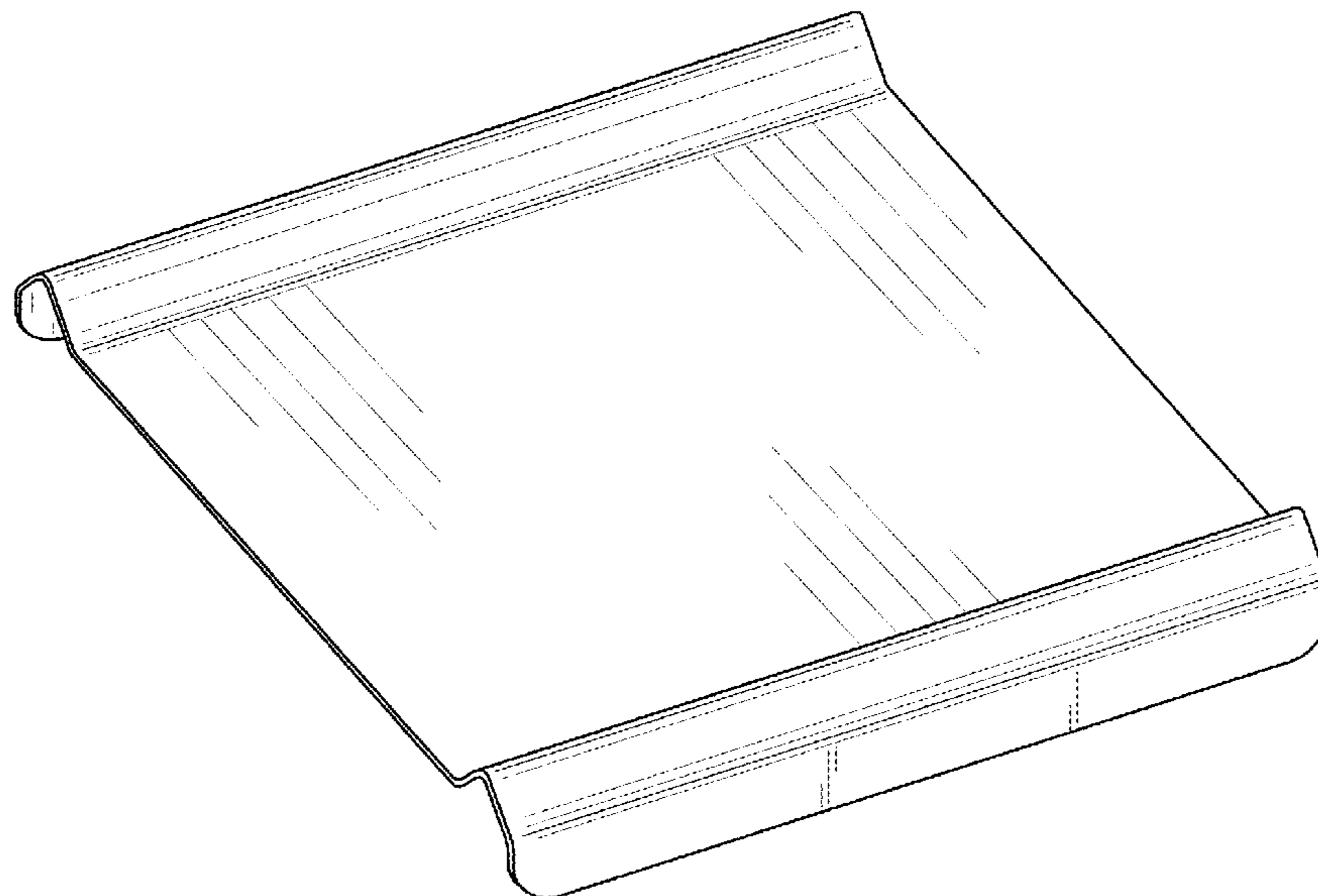
(57) **CLAIM**

The ornamental design for a platform, as shown and described.

DESCRIPTION

FIG. 1 is a top, front, left perspective view of a platform showing my new design;
FIG. 2 is a top view thereof;
FIG. 3 is a front view thereof;
FIG. 4 is a rear view thereof;
FIG. 5 is a left side view thereof;
FIG. 6 is a right side view thereof;
FIG. 7 is a bottom view thereof; and,
FIG. 8 is a bottom, front, left perspective view thereof.
The broken lines depicting the remainder of the platform show features that form no part of the claimed design.

1 Claim, 8 Drawing Sheets



(56)

References Cited

U.S. PATENT DOCUMENTS

D879,216	S	*	3/2020	Dunahay	D21/686
D879,217	S	*	3/2020	Dunahay	D21/686
2015/0335939	A1	*	11/2015	Pederson	A63B 71/0036 482/104
2017/0326411	A1	*	11/2017	Watterson	A63B 22/0207
2018/0028853	A1	*	2/2018	Cargill	A63B 21/4035
2018/0126211	A1	*	5/2018	Chen	A63B 21/4033

OTHER PUBLICATIONS

Photos of Rogue Echo Pulling Block Set from <https://web.archive.org/web/20170528223535/https://www.roguefitness.com/rogue-echo-pulling-block-set>, dated May 28, 2017.

Product listing for Rogue Metal Pulling Blocks from <https://web.archive.org/web/20161029023038/https://www.roguefitness.com/rogue-metal-pulling-blocks>, dated Oct. 29, 2016.

Photos of Rogue Metal Pulling Blocks from <https://web.archive.org/web/20161029023038/https://www.roguefitness.com/rogue-metal-pulling-blocks>, dated Oct. 29, 2016.

Product listing for Rogue Metal Jerk Blocks from <https://web.archive.org/web/20161004212702/https://www.roguefitness.com/metal-jerk-blocks>, dated Oct. 4, 2016.

Photos of Rogue Metal Jerk Blocks from <https://web.archive.org/web/20161004212702/https://www.roguefitness.com/metal-jerk-blocks>, dated Oct. 4, 2016.

Photos of Titan Pulling Block Set, from <https://www.titan.fitness/pltblcks.html>, dated Nov. 20, 2018, product known to be available prior to Mar. 1, 2018, but not prior to May 28, 2017.

Photographs of prototype pulling block displayed in public gym prior to Oct. 1, 2015.

<https://web.archive.org/web/20161004212702/http://www.roguefitness.com/metal-jerk-blocks> <<http://www.roguefitness.com/metal-jerk-blocks>>(Year 2016).

* cited by examiner

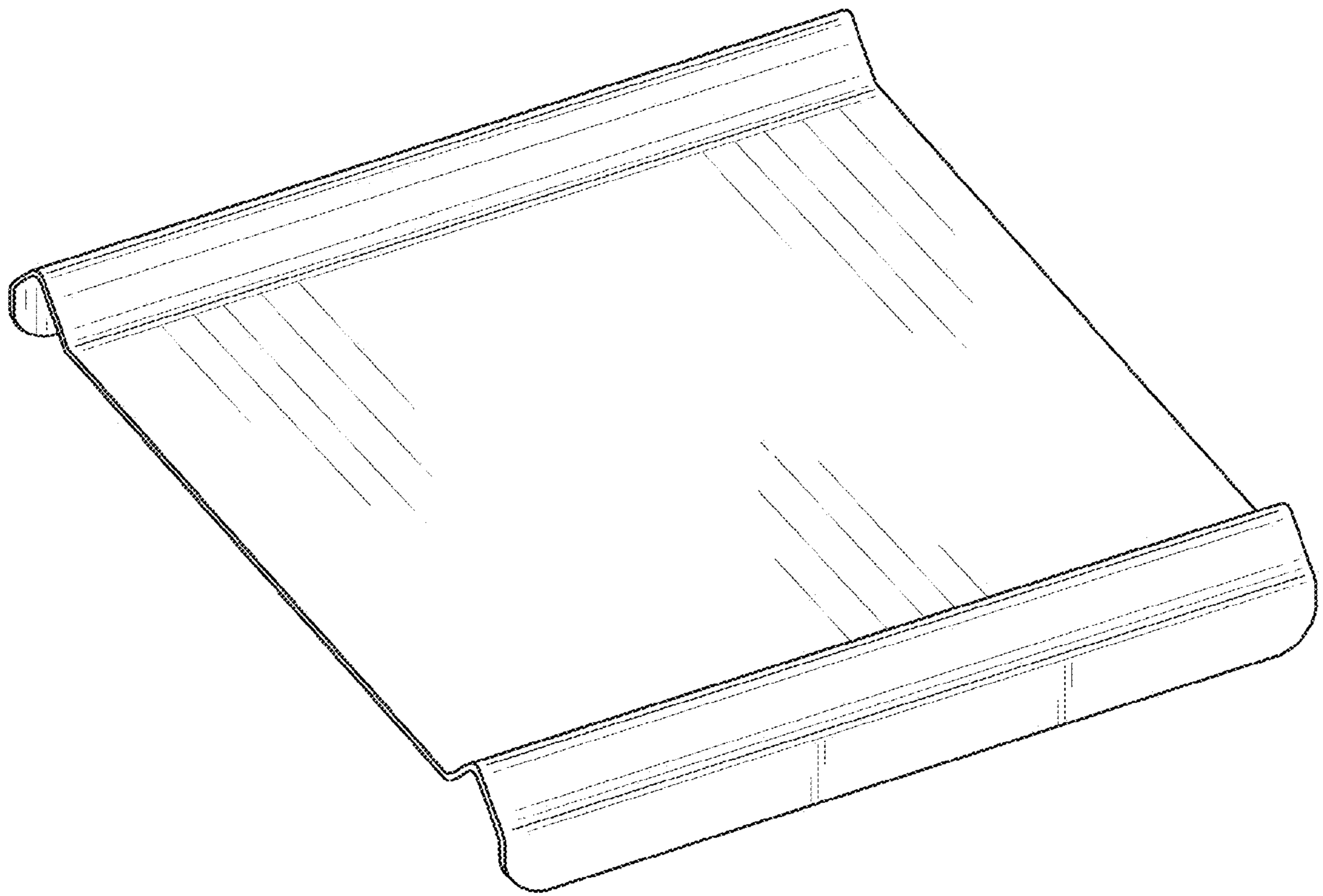


FIG. 1

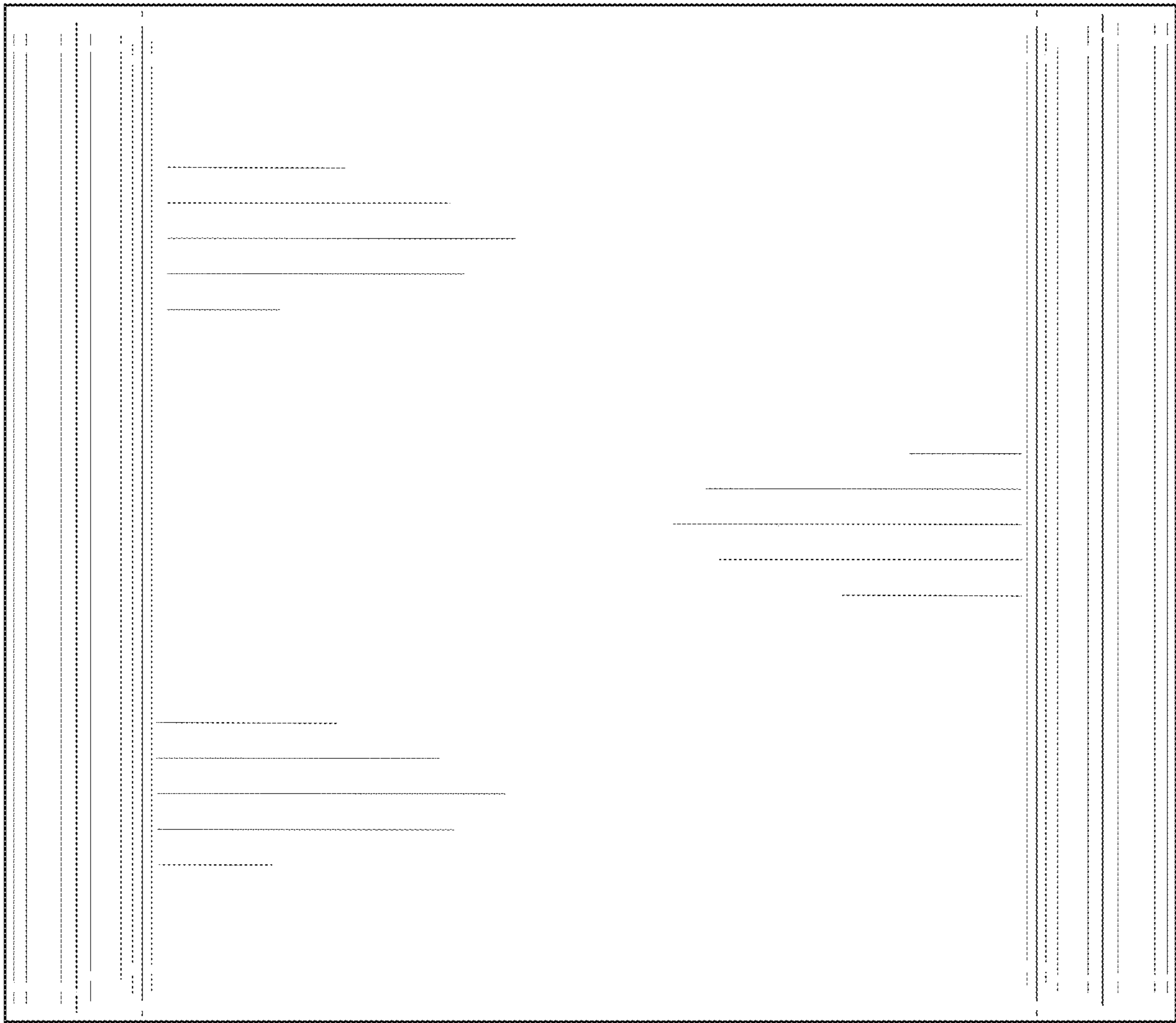


FIG. 2

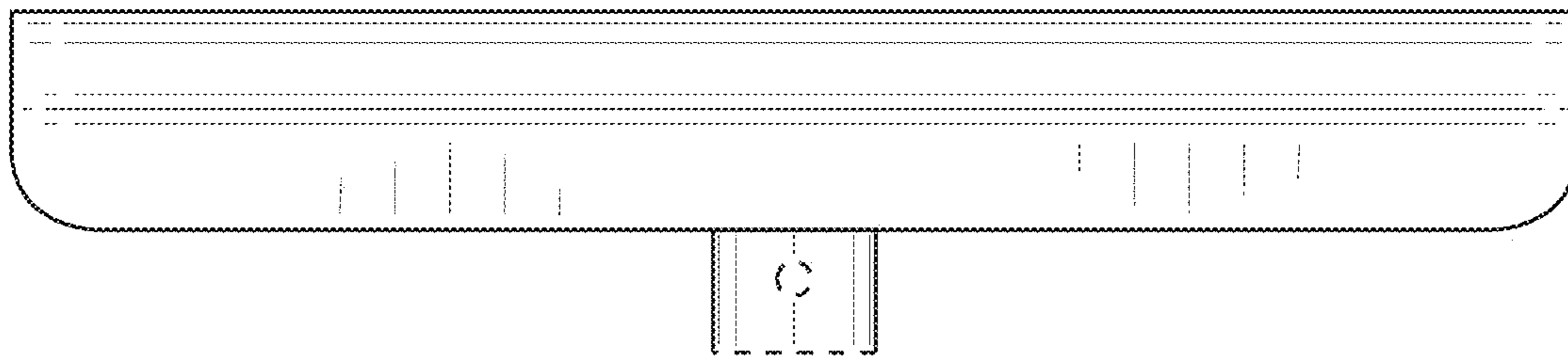


FIG. 3

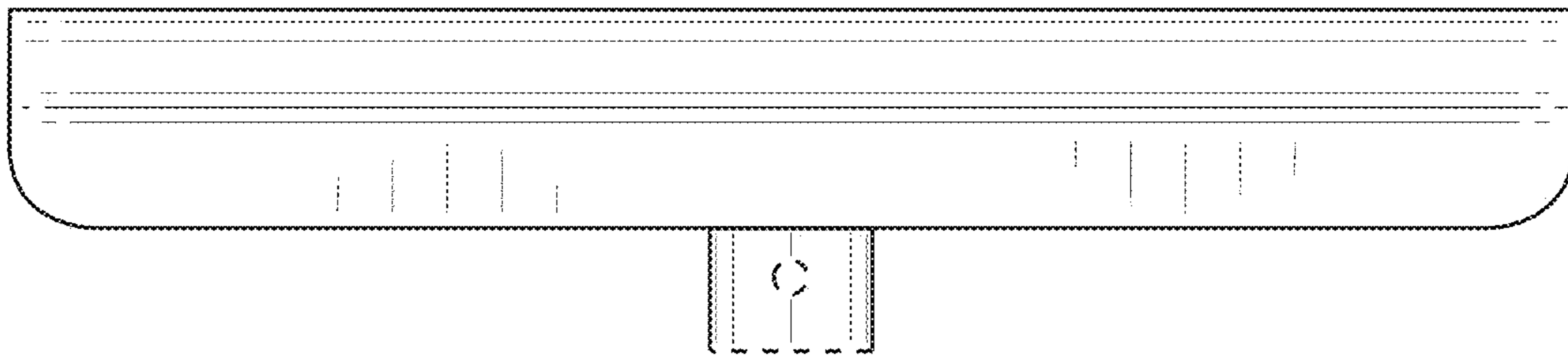


FIG. 4

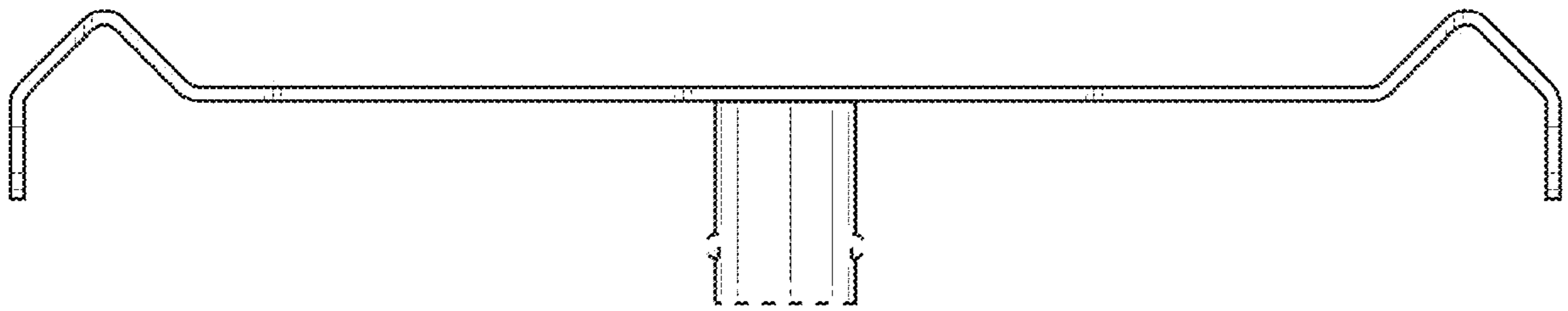


FIG. 5

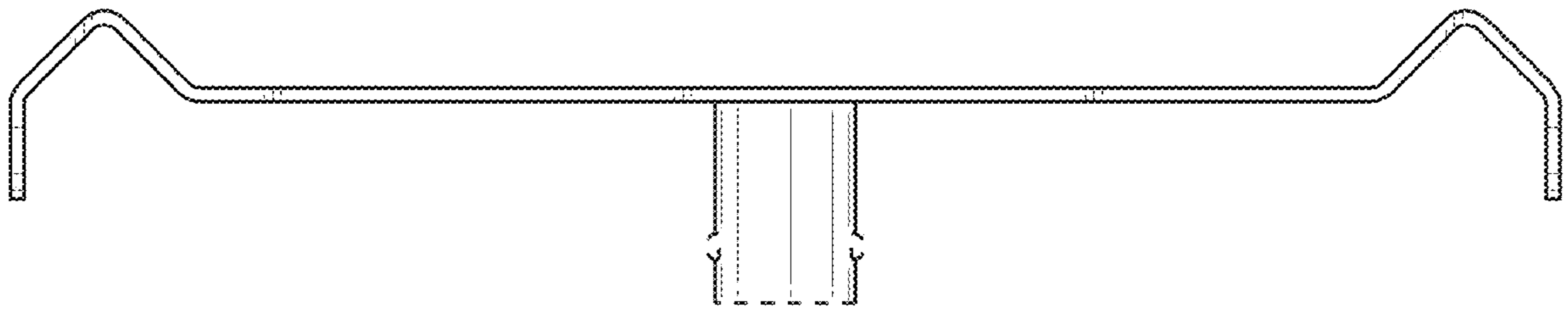


FIG. 6

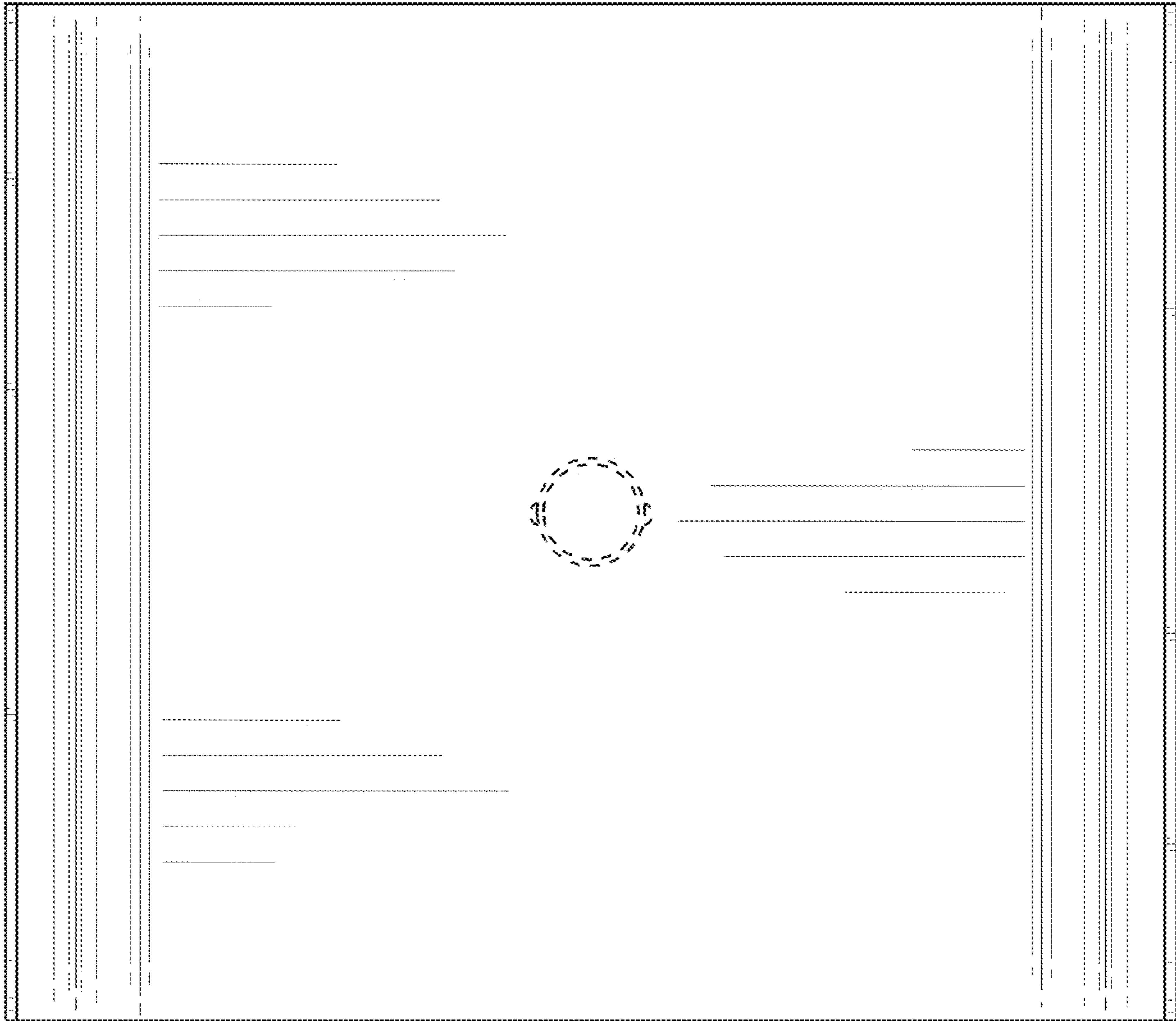


FIG. 7

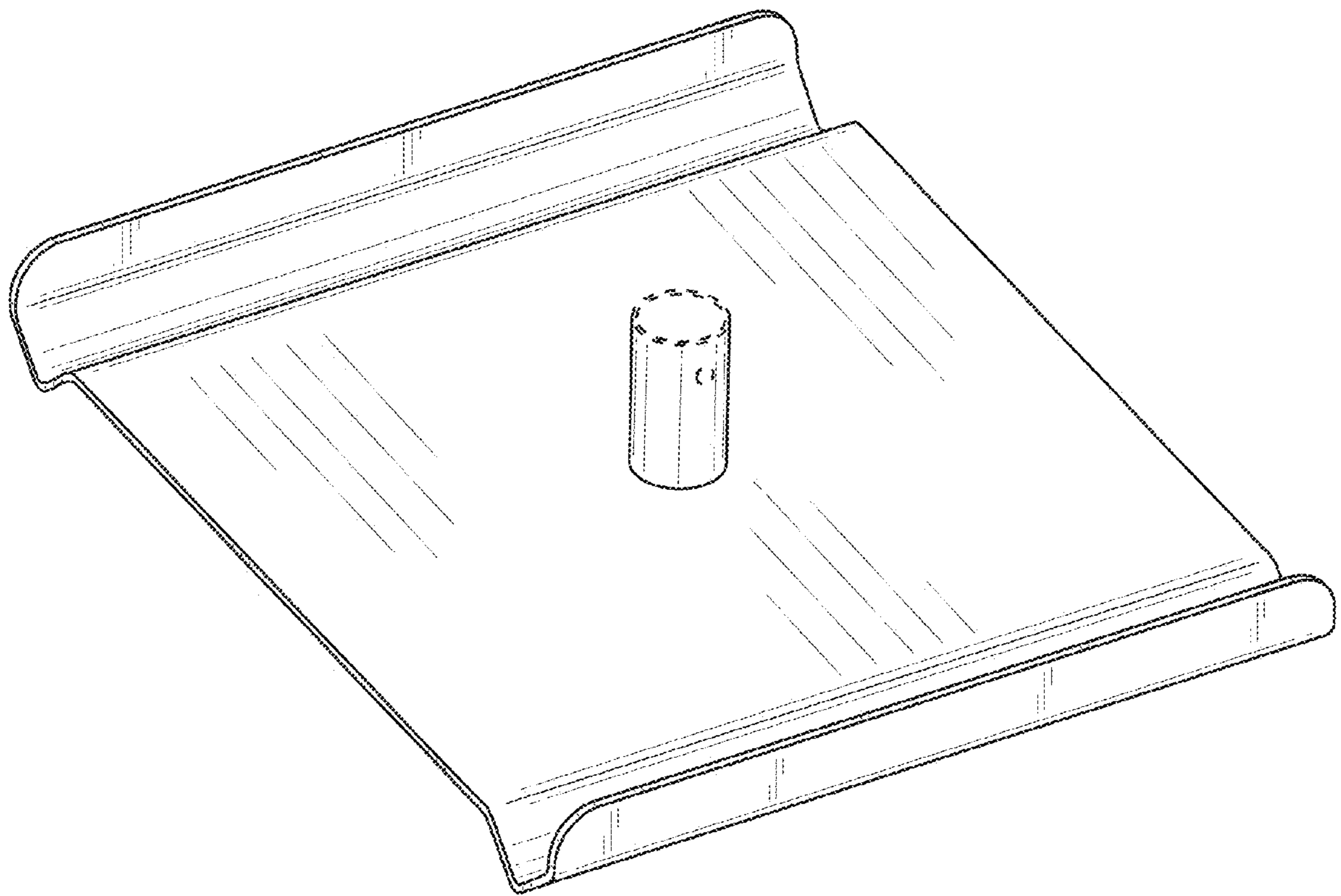


FIG. 8