



US00D915529S

(12) **United States Design Patent** (10) **Patent No.:** **US D915,529 S**  
**Johnson et al.** (45) **Date of Patent:** **\*\* \*Apr. 6, 2021**

(54) **PHYSICAL EXERCISE ASSEMBLY**

FOREIGN PATENT DOCUMENTS

(71) Applicant: **Transform Health Limited**, County Meath (IE)

CA 2418364 C 5/2007  
CN 102319175 A 1/2012

(72) Inventors: **Maria Kealy Johnson**, Dublin (IE);  
**Joanne Kangley**, Dublin (IE)

(Continued)

(73) Assignee: **TRANSFORM HEALTH LIMITED**, County Meath (IE)

*Primary Examiner* — Ryan Harvey

(\*) Notice: This patent is subject to a terminal disclaimer.

(74) *Attorney, Agent, or Firm* — Volpe Koenig

(\*\*) Term: **15 Years**

(57) **CLAIM**

(21) Appl. No.: **29/671,561**

The ornamental design for a physical exercise assembly, as shown and described.

(22) Filed: **Nov. 28, 2018**

(51) **LOC (13) Cl.** ..... **21-02**

(52) **U.S. Cl.**  
USPC ..... **D21/662; D21/686**

(58) **Field of Classification Search**

**DESCRIPTION**

USPC ..... D21/668, 688, 671, 686, 662, 689, 687, D21/413, 412, 423, 692, 694, 698, 760, D21/765, 766, 769, 803, 788; D6/349, D6/353, 406.3, 582, 592, 685, 707.22; 482/70, 79, 71, 132, 34, 146, 142, 93, 482/105, 110, 121, 123, 126, 130, 139, 482/141, 147, 148, 51, 52, 77; 472/135, 472/110, 14, 218, 269, 409, 451, 452; 600/595; 473/451, 452, 269, 409; 280/205, 87.042, 609; D14/413, 419, D14/216; D24/211; D29/100  
CPC ..... A63B 21/4035; A63B 21/0552; A63B 21/0442; A63B 2208/0204; A63B 2210/50; A63B 23/0458; A63B 21/00047; A61H 2201/1284

See application file for complete search history.

FIG. 1 is a perspective view of a physical exercise assembly according to our invention;  
FIG. 2 is a right side view thereof;  
FIG. 3 is a left side view thereof;  
FIG. 4 is rear view thereof;  
FIG. 5 is a front view thereof;  
FIG. 6 is a top plan view thereof; and,  
FIG. 7 is a bottom plan view thereof.  
FIG. 8 is a perspective view of a second embodiment of a physical exercise assembly according to our invention;  
FIG. 9 is a right side view thereof;  
FIG. 10 is a left side view thereof;  
FIG. 11 is rear view thereof;  
FIG. 12 is a front view thereof;  
FIG. 13 is a top plan view thereof; and,  
FIG. 14 is a bottom plan view thereof.

The broken lines in the drawings are for the purpose of illustrating environmental structure or boundaries, and form no part of the claimed design.

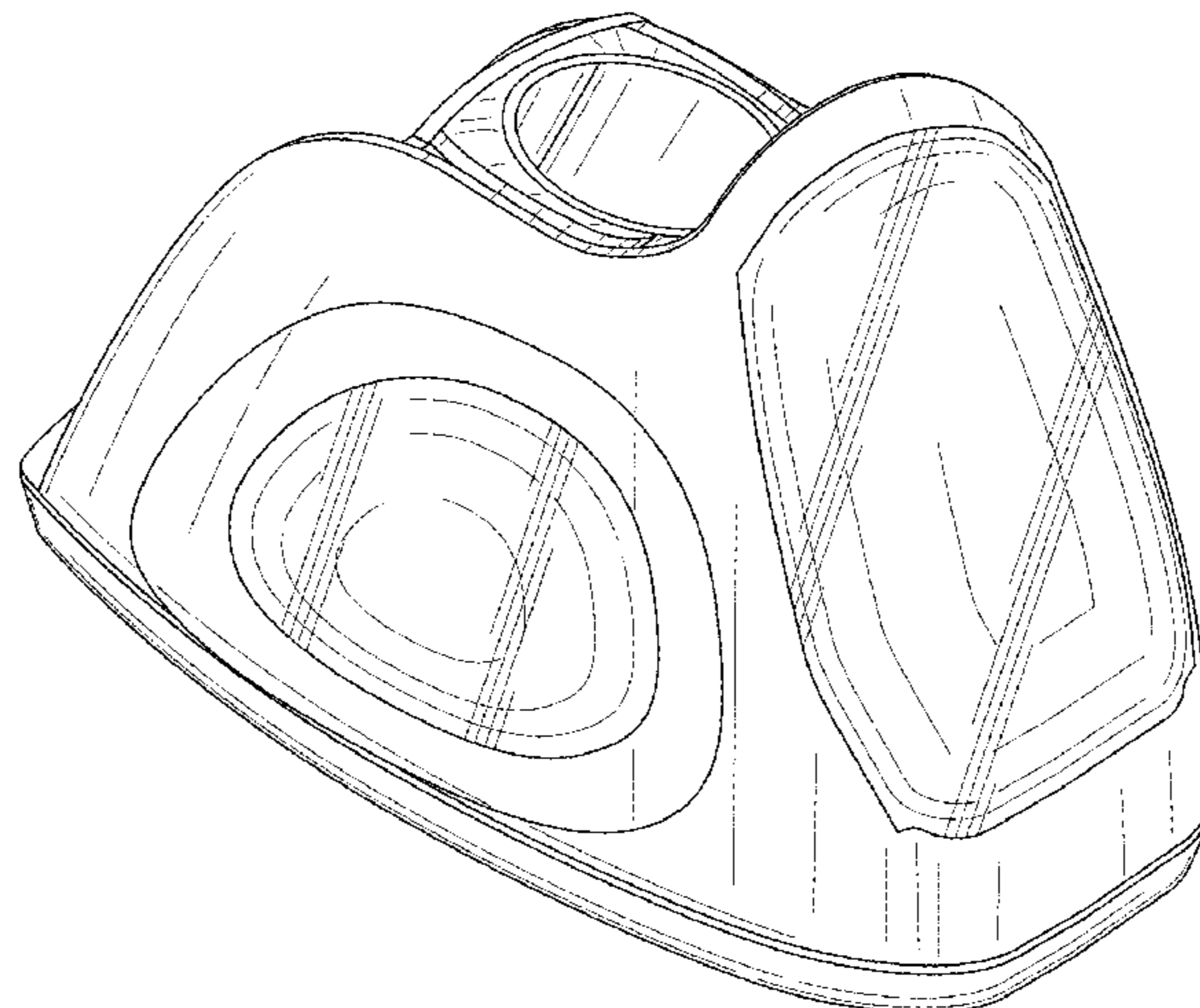
(56) **References Cited**

U.S. PATENT DOCUMENTS

5,109,837 A \* 5/1992 Gamow ..... A61G 10/026  
128/200.24  
5,133,339 A 7/1992 Whalen et al.  
5,316,532 A \* 5/1994 Butler ..... A63B 71/0009  
482/111

(Continued)

**1 Claim, 14 Drawing Sheets**



(56)

References Cited

U.S. PATENT DOCUMENTS

5,356,361 A \* 10/1994 Watenpaugh .... A63B 21/00181  
482/111  
5,398,678 A \* 3/1995 Gamow ..... A61G 10/026  
128/202.12  
5,425,742 A 6/1995 Joy  
6,508,850 B1 \* 1/2003 Kotliar ..... A61G 10/005  
55/385.2  
6,547,701 B1 4/2003 Eschenbach  
D495,384 S \* 8/2004 Rolfes ..... D21/662  
D497,961 S \* 11/2004 Rolfes ..... D21/662  
D515,153 S \* 2/2006 Rolfes ..... D21/662  
7,556,040 B2 \* 7/2009 Meyer ..... A61G 10/026  
128/205.26  
7,591,795 B2 9/2009 Whalen et al.  
8,375,938 B2 \* 2/2013 Gaumond ..... A61G 10/026  
128/202.12  
8,464,716 B2 6/2013 Kuehne et al.  
8,764,609 B1 7/2014 Elahmadie  
8,900,098 B2 \* 12/2014 Egan ..... A63B 21/00181  
128/202.12  
9,272,175 B2 \* 3/2016 Egan ..... A63B 22/06  
9,408,775 B2 8/2016 Hofmann  
10,219,734 B2 \* 3/2019 Williams ..... A61B 5/222  
10,445,463 B2 \* 10/2019 Baudino ..... A61B 5/0002  
10,843,036 B2 \* 11/2020 Bayerlein ..... A61H 1/005  
2002/0025889 A1 \* 2/2002 Egger ..... A61H 1/0214  
482/57  
2007/0054783 A1 \* 3/2007 Egger ..... A61H 1/0237  
482/57

2007/0181121 A1 8/2007 Whalen et al.  
2011/0098615 A1 \* 4/2011 Whalen ..... A61H 9/00  
601/151  
2011/0120567 A1 \* 5/2011 Kuehne ..... A63B 21/00181  
137/14  
2011/0226252 A1 \* 9/2011 Milne ..... A61G 10/023  
128/205.26  
2012/0152243 A1 \* 6/2012 Hingley ..... A61G 10/02  
128/203.12  
2012/0238921 A1 \* 9/2012 Kuehne ..... A61H 1/0229  
601/5  
2014/0235412 A1 \* 8/2014 Dailey ..... A63B 22/0605  
482/57  
2015/0238819 A1 8/2015 Volkerink et al.  
2015/0352396 A1 12/2015 Dalebout

FOREIGN PATENT DOCUMENTS

CN 202502629 U 10/2012  
CN 103366614 A 10/2013  
CN 105107175 A 12/2015  
CN 105148481 A 12/2015  
DE 20305670 U1 8/2003  
DE 20321337 U1 11/2006  
DE 202009002664 U1 6/2009  
EM 002734970-0002 A1 8/2015  
EP 2717976 B1 9/2015  
IE S86101 B2 12/2012  
JP 2001-112886 A 4/2001  
WO 02-11661 A2 2/2002

\* cited by examiner

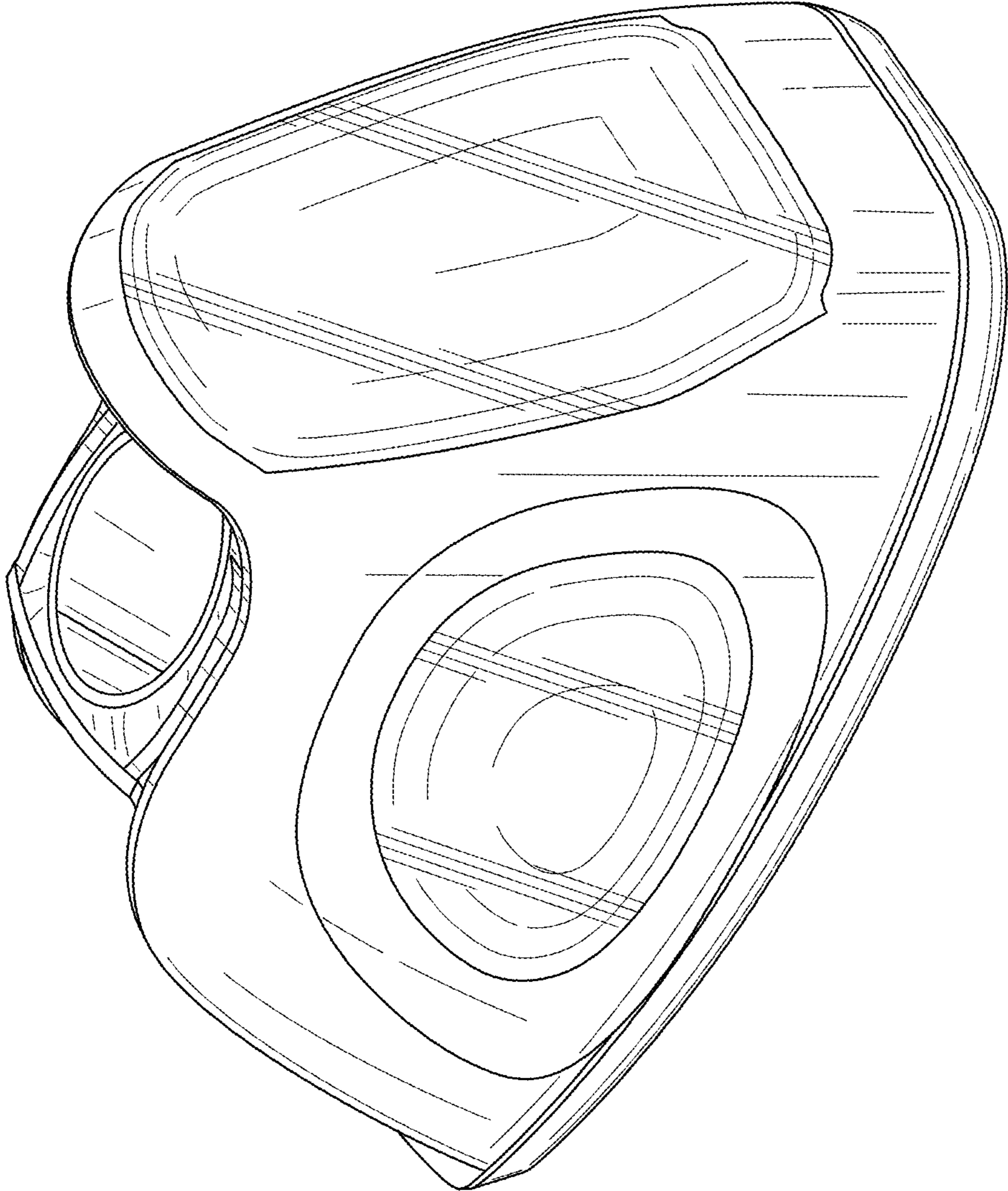


FIG. 1

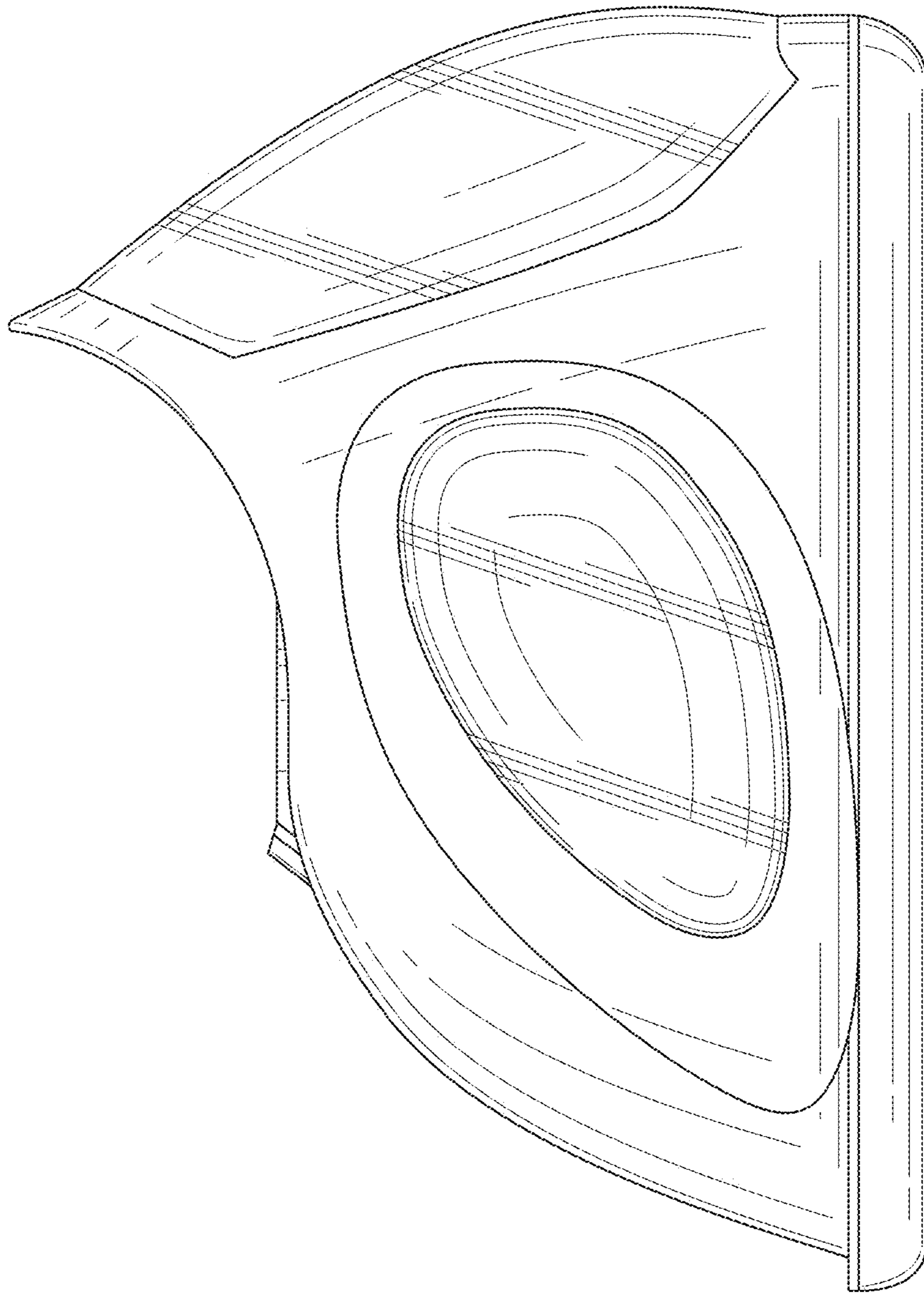


FIG. 2

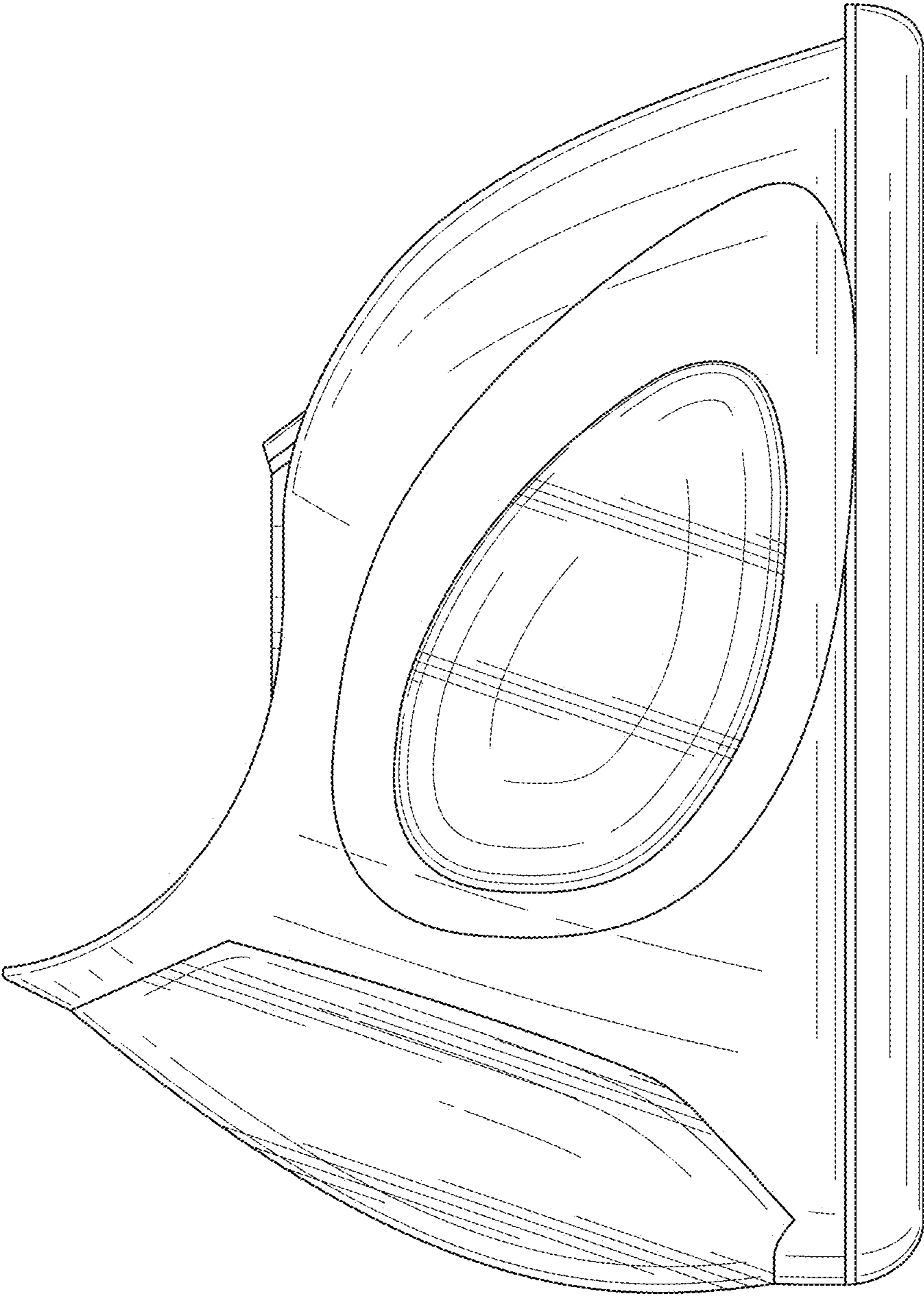


FIG. 3

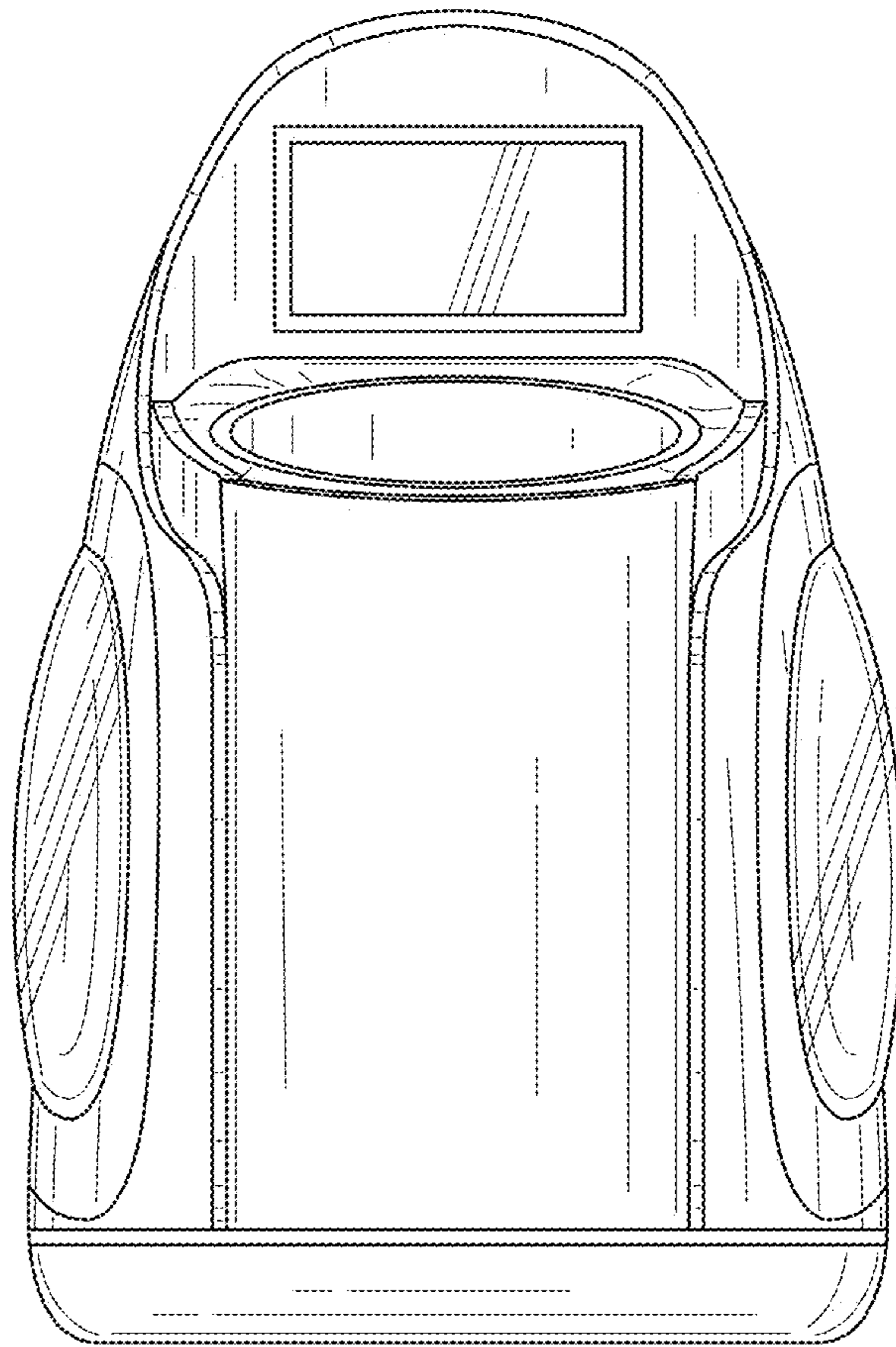


FIG. 4

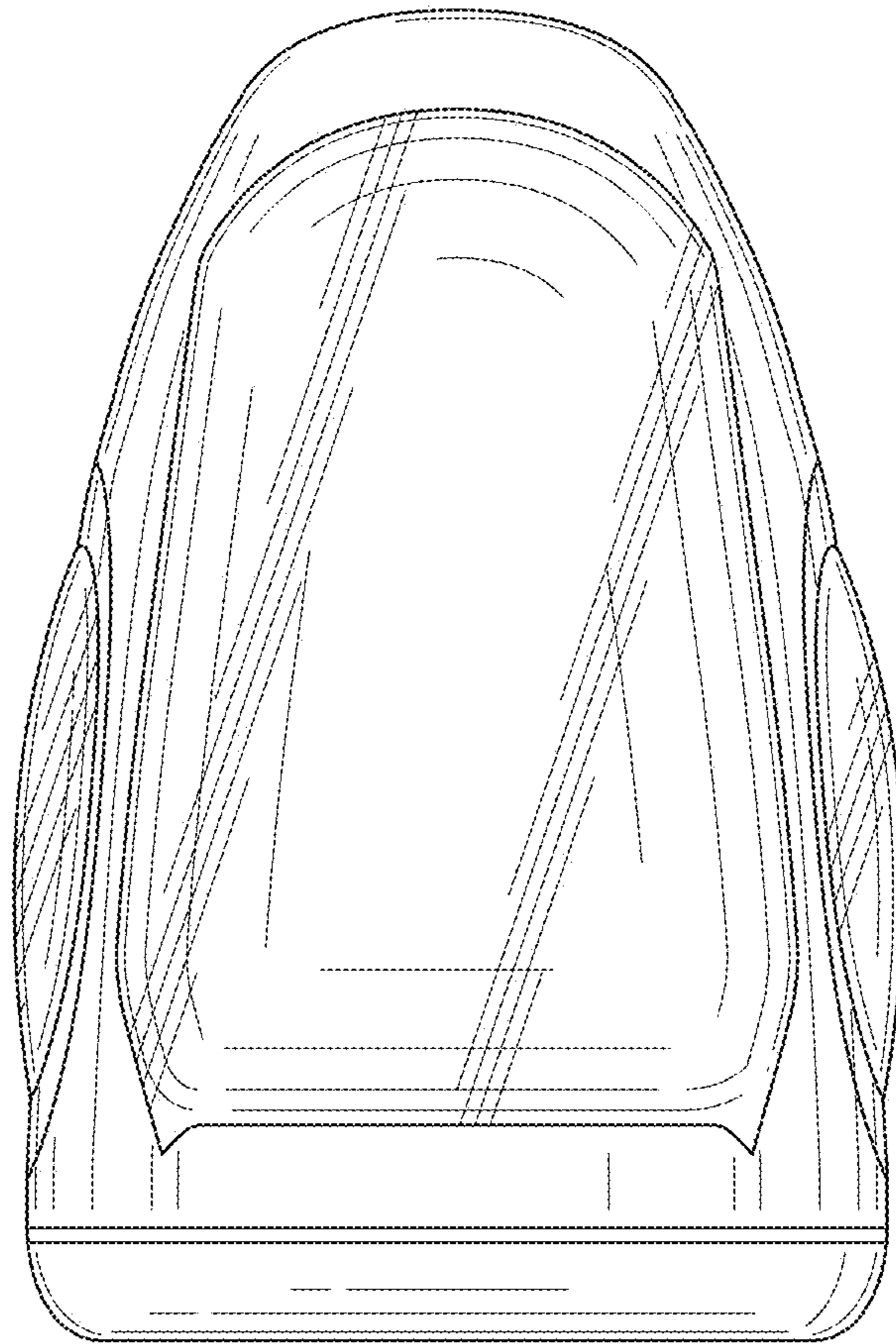


FIG. 5

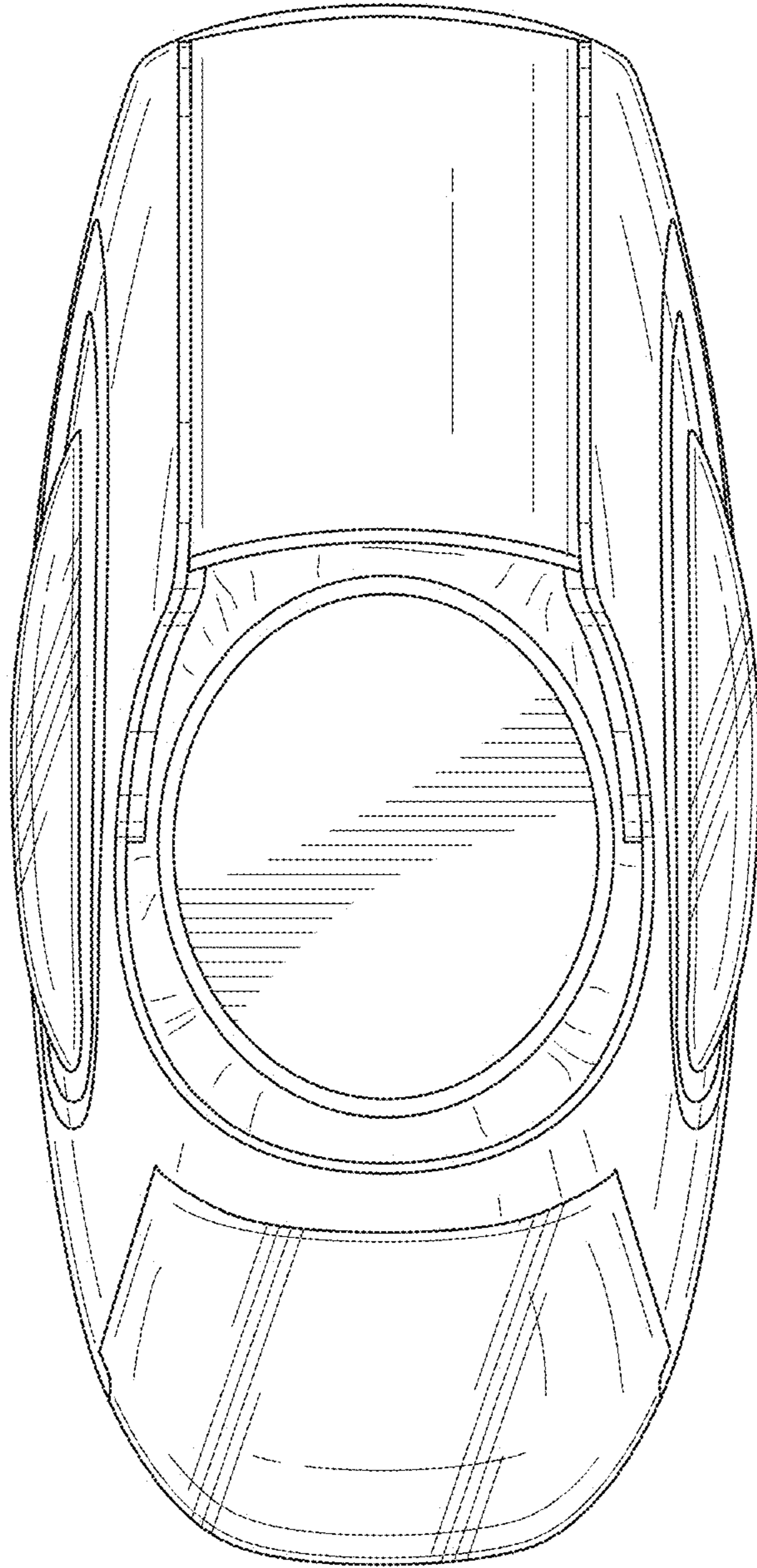


FIG. 6



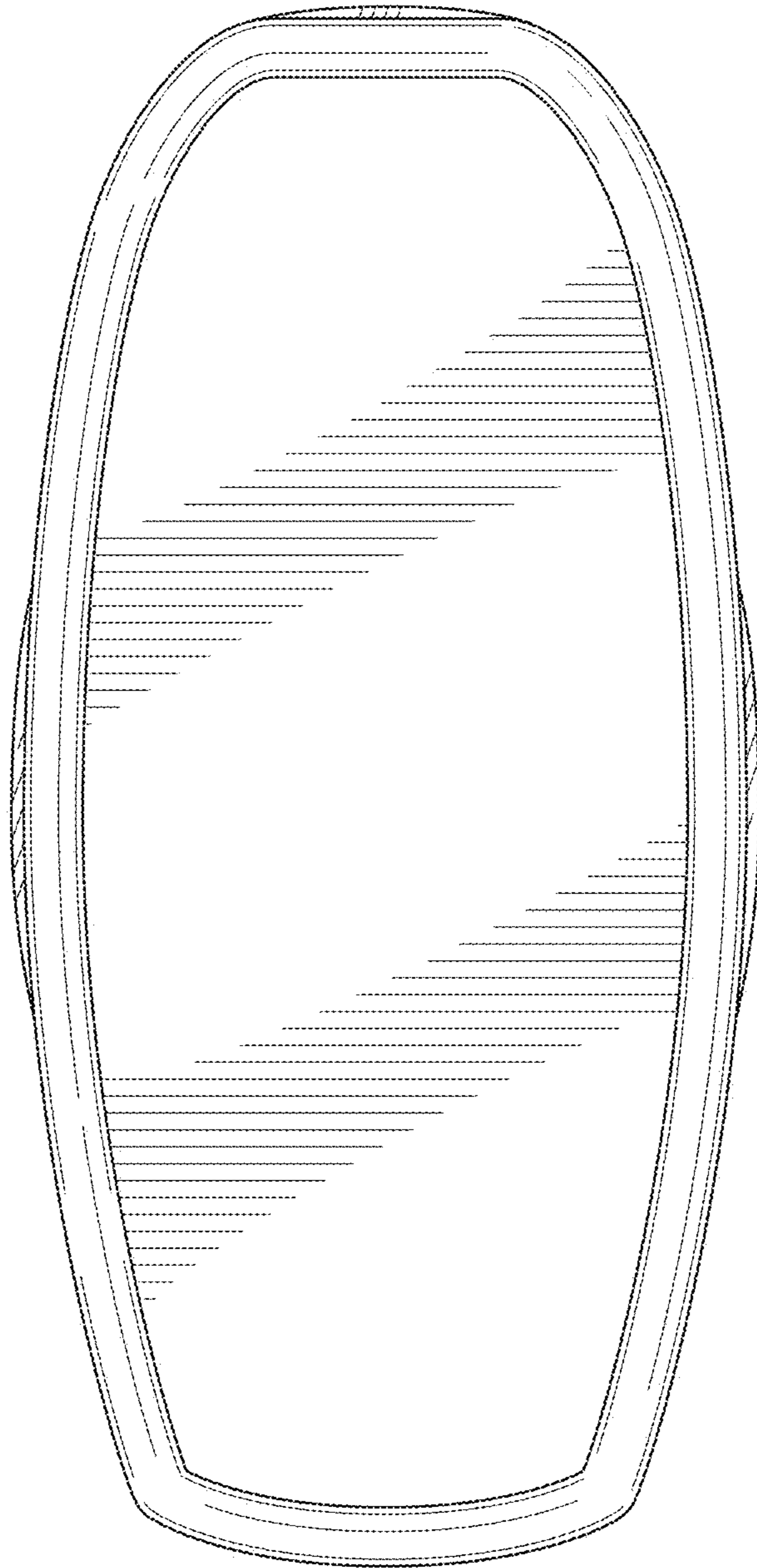


FIG. 7

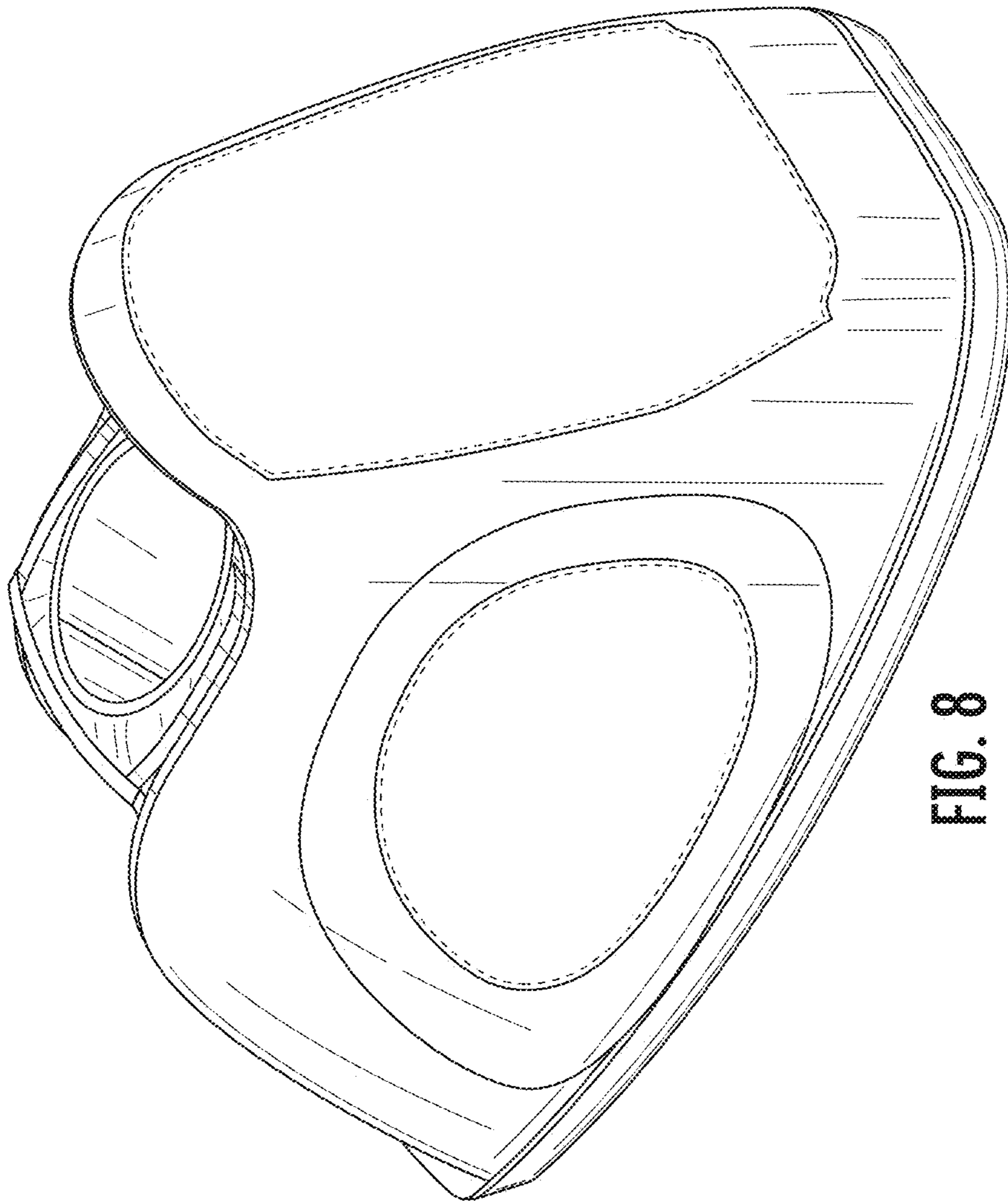


FIG. 8

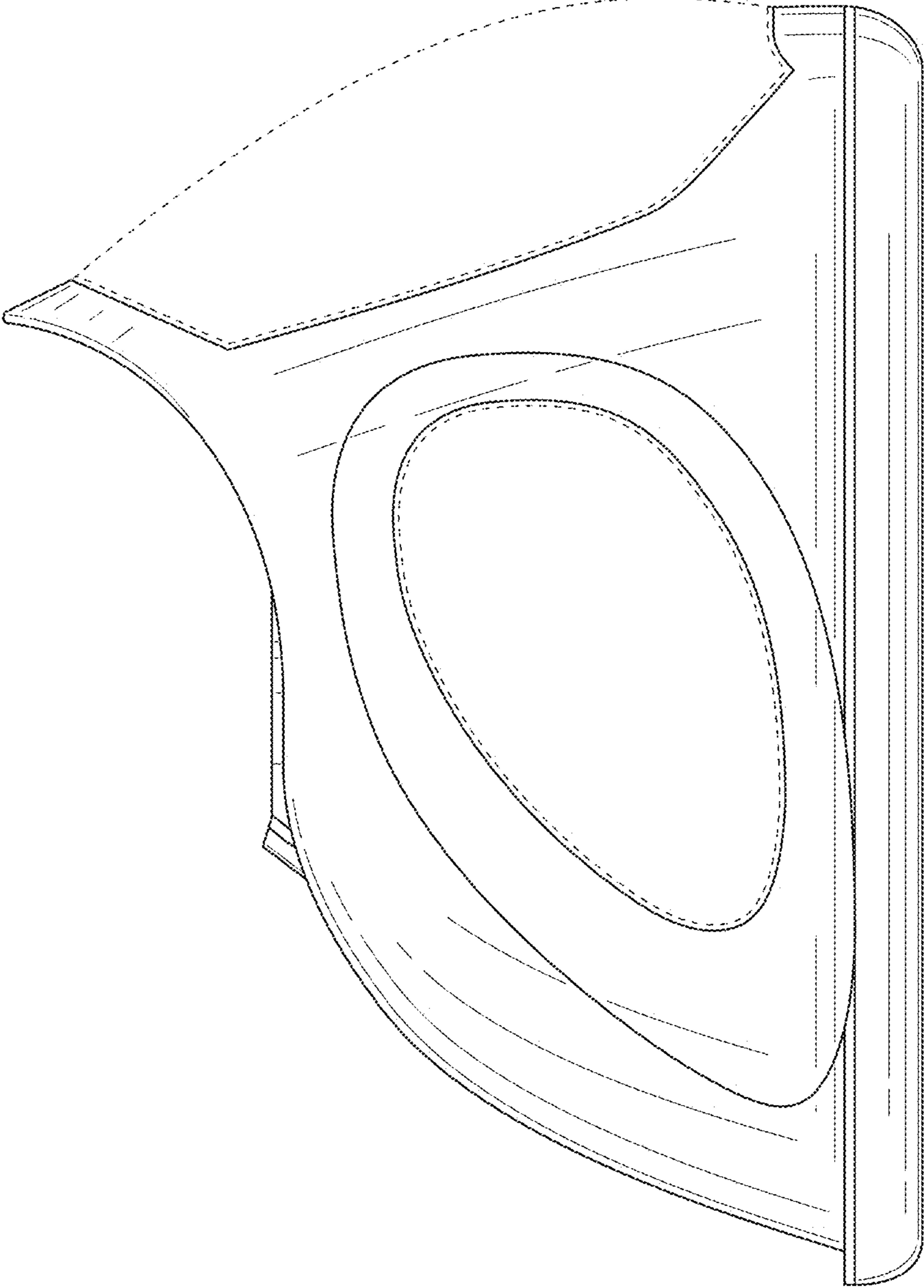


FIG. 9

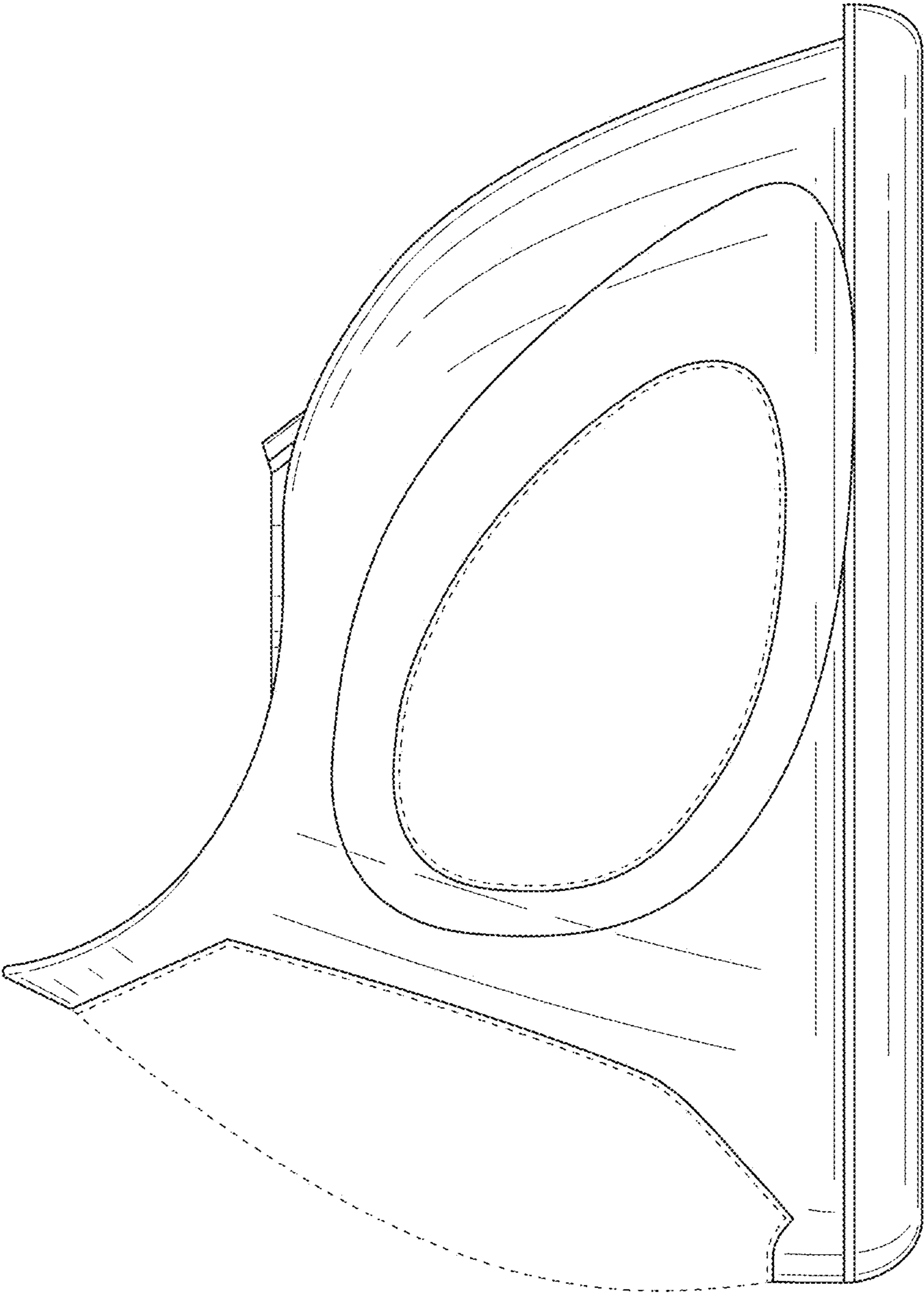


FIG. 10

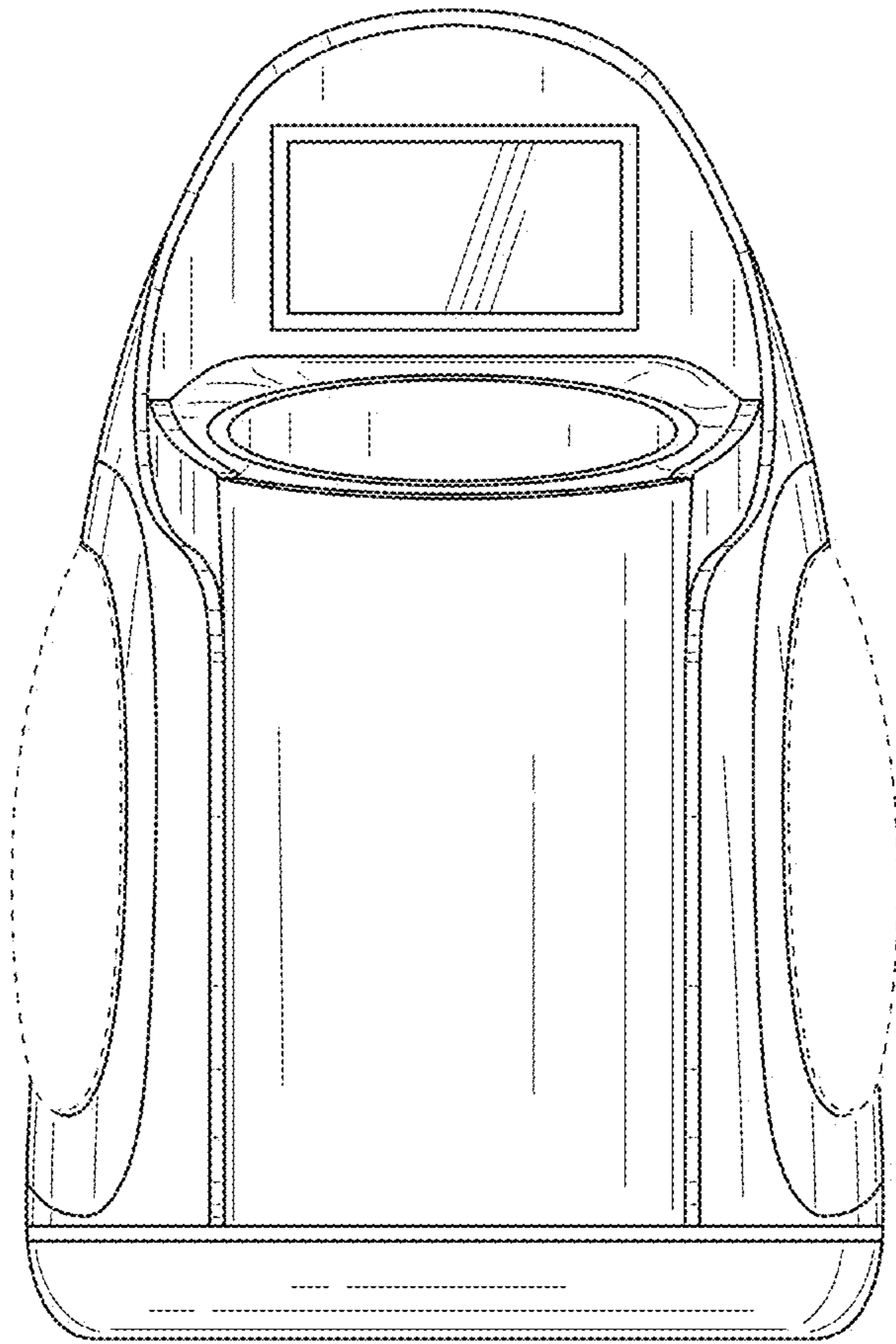


FIG. 11

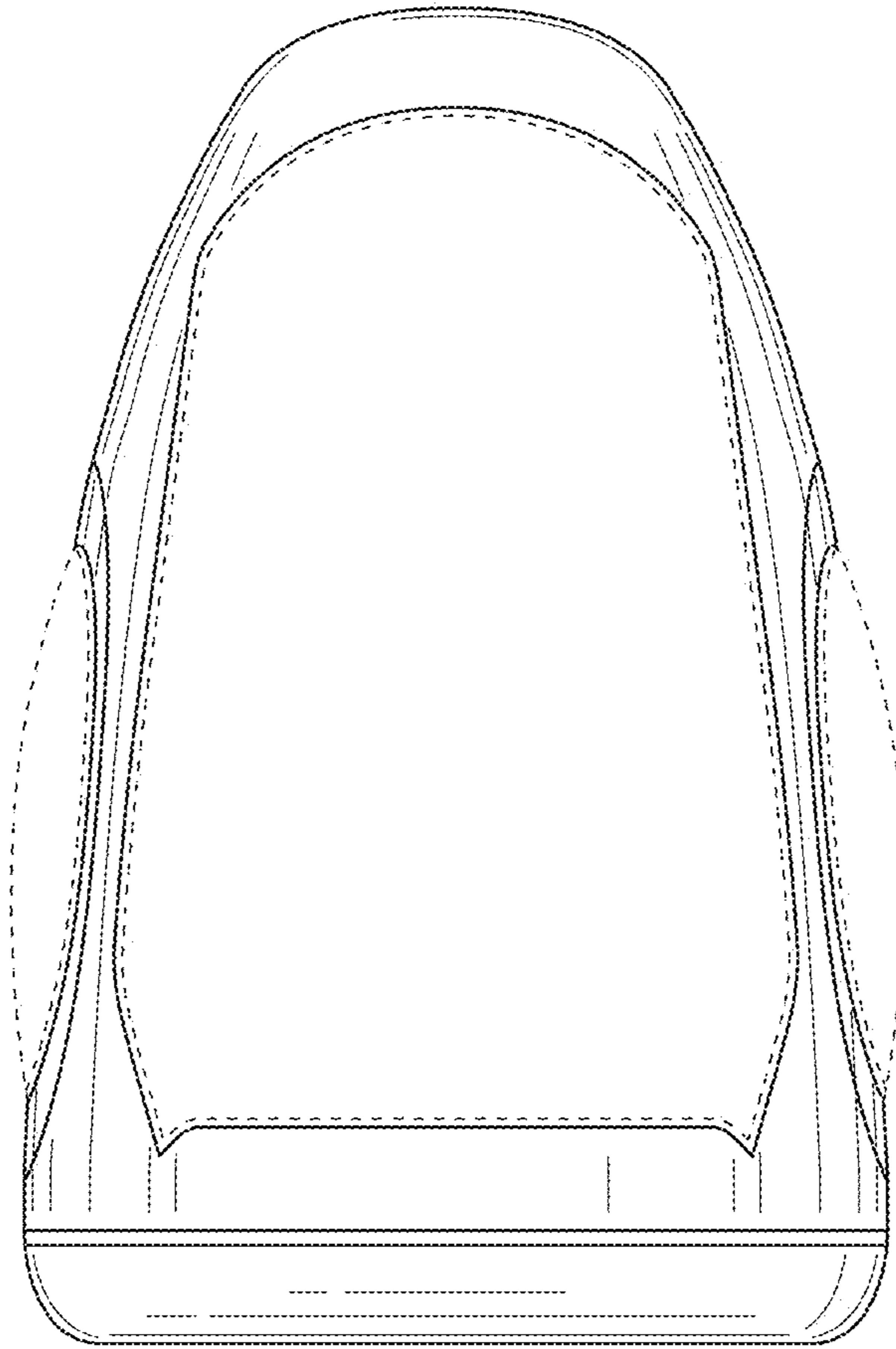


FIG. 12

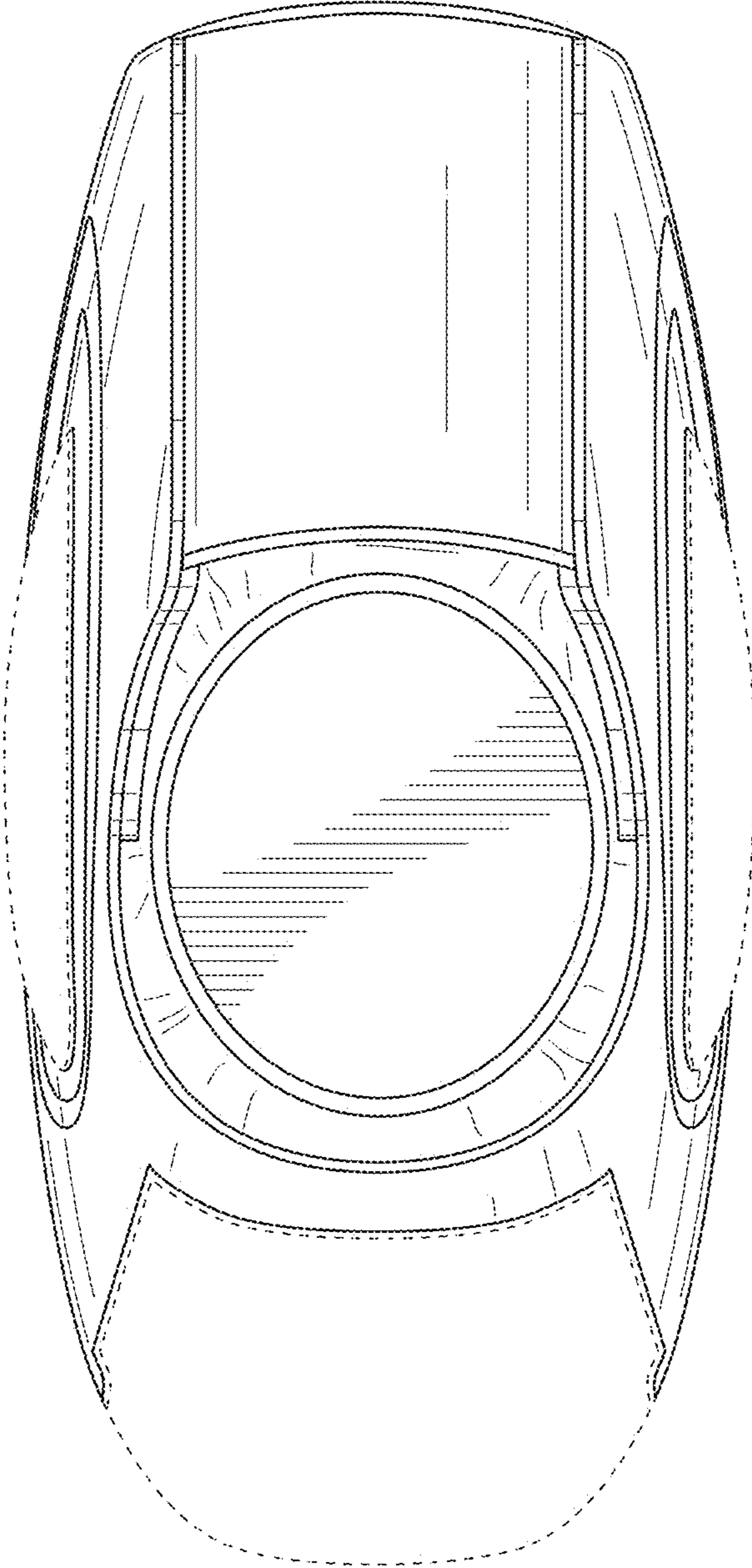


FIG. 13

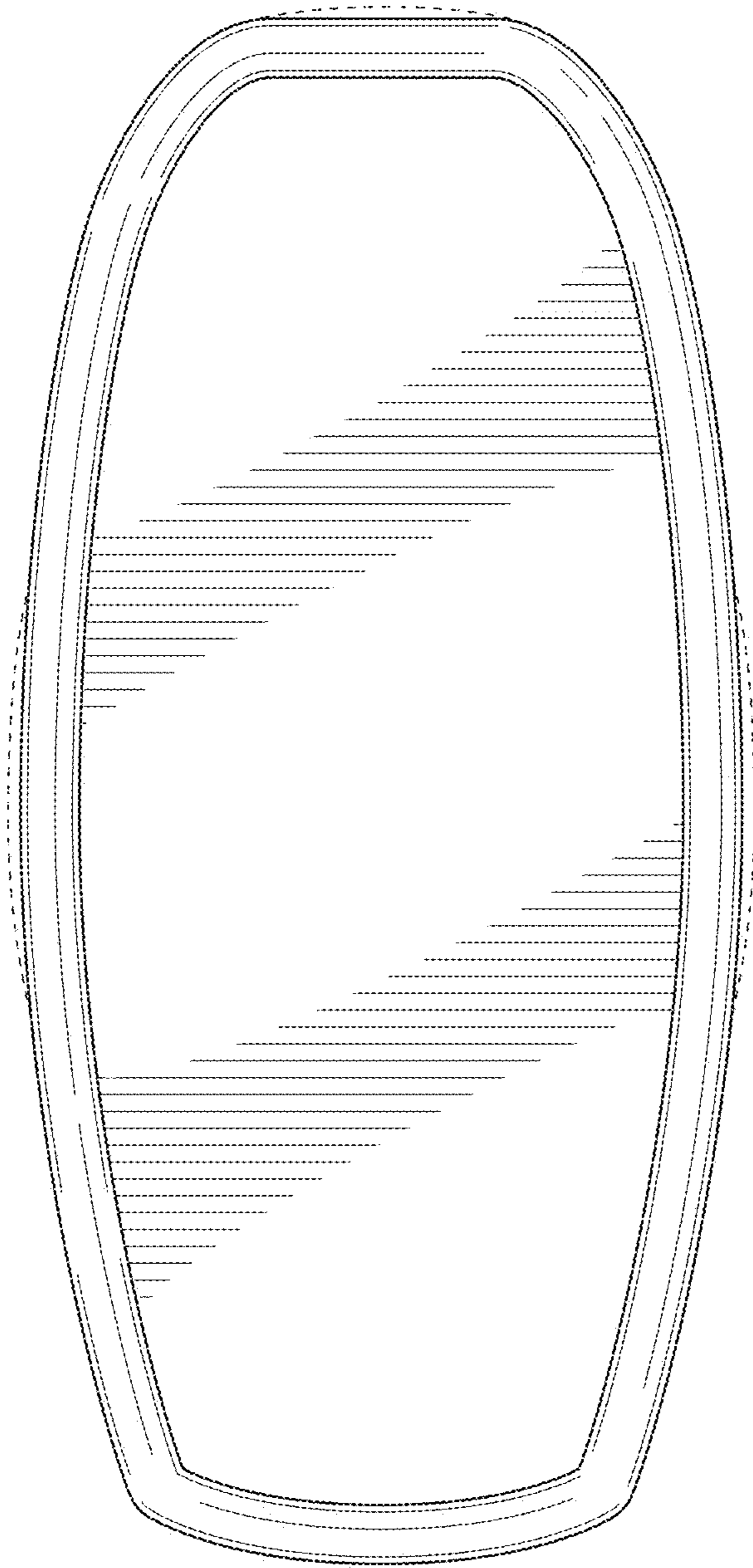


FIG. 14