



US00D915528S

(12) **United States Design Patent**
Wang

(10) **Patent No.:** **US D915,528 S**

(45) **Date of Patent:** **** Apr. 6, 2021**

- (54) **RACE TRACK TOY SET**
- (71) Applicant: **Laltitude LLC**, Hacienda Heights, CA (US)
- (72) Inventor: **Howard Wang**, Hacienda Heights, CA (US)
- (**) Term: **15 Years**
- (21) Appl. No.: **29/732,382**
- (22) Filed: **Apr. 23, 2020**

- D305,676 S * 1/1990 Ngai D21/565
- D382,026 S * 8/1997 Petersson D21/565
- D382,027 S * 8/1997 Petersson D21/565
- D388,138 S * 12/1997 Lanoix D21/565
- 5,873,521 A * 2/1999 Ernst A63H 18/00
104/126
- 6,093,079 A * 7/2000 House A63H 18/02
238/10 E
- D600,291 S 9/2009 Christensen
- D624,605 S 9/2010 Kichijo
- D624,608 S * 9/2010 Yuen D21/564
- D632,348 S * 2/2011 McNutt D21/565
- D651,661 S * 1/2012 Yuen D21/565
- 8,282,438 B2 * 10/2012 Tamulewicz A63H 33/26
446/129

Related U.S. Application Data

- (63) Continuation-in-part of application No. 29/729,277, filed on Mar. 25, 2020.

(30) **Foreign Application Priority Data**

- Oct. 25, 2019 (CN) 201921804459.1
- Oct. 29, 2019 (CN) 201930590116.9

- (51) **LOC (13) Cl.** **21-01**
- (52) **U.S. Cl.**
USPC **D21/564**

- (58) **Field of Classification Search**
USPC D21/564, 565
CPC A63H 18/02; A63H 18/025; A63H 18/028;
A63H 18/04; A63H 18/10; A63H 18/12;
A63H 18/14; A63H 18/16; A63H 18/165
See application file for complete search history.

(56) **References Cited**

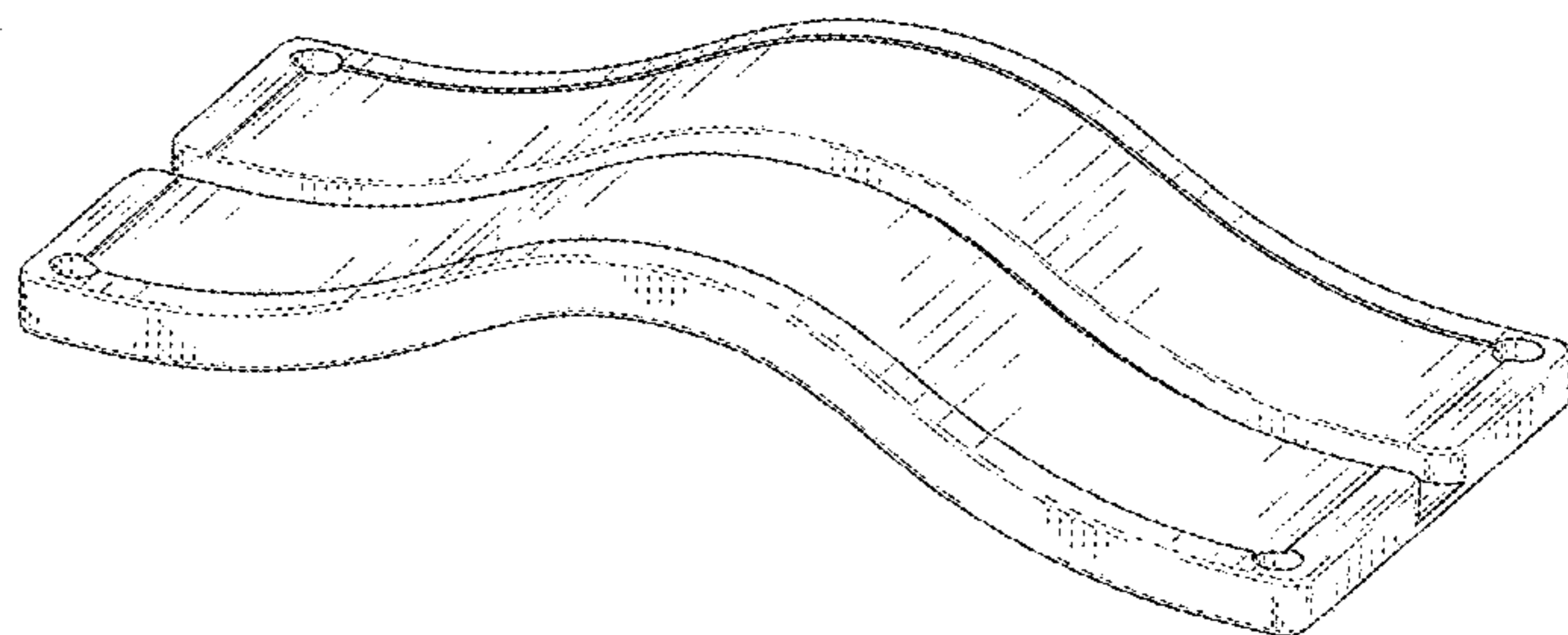
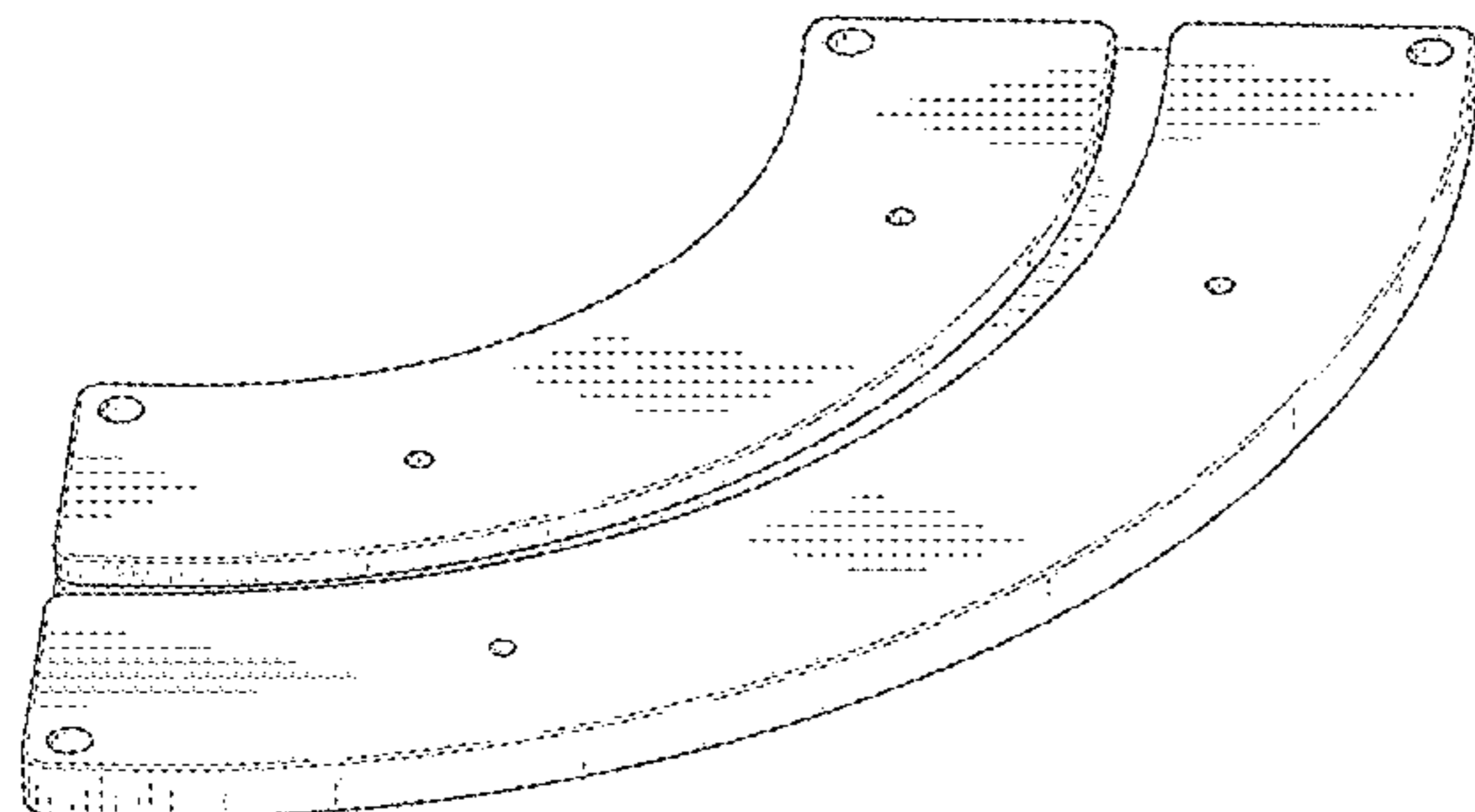
U.S. PATENT DOCUMENTS

- 2,690,626 A * 10/1954 Gay A63H 18/10
446/130
- D224,089 S * 7/1972 Narashino D21/564
- D266,529 S * 10/1982 Aoki D21/564
- 4,504,243 A * 3/1985 Barlow A63F 3/00634
446/444
- D280,919 S * 10/1985 Petersson D21/565
- D296,806 S * 7/1988 Bach D21/565
- D303,693 S * 9/1989 Petersson D21/565
- D305,135 S * 12/1989 Ng D21/564

OTHER PUBLICATIONS

PicassoTiles 80 Piece Race Car Track Building Block Educational Toy Set Magnetic Tiles Magnet DIY Playset, Reviewed Feb. 19, 2019 [online], [site visited Aug. 28, 2020], Available from Internet: <URL:https://www.amazon.com/gp/customer-reviews/R3W4G66YR6N462/ref=cm_cr_arp_d_rvw_img?ie=UTF8&ASIN=B07MWGZKCB> (Year: 2019).*

Magna tile traffic set, picasso tile racing car set, uploaded Aug. 30, 2018 by Vohoho Toys [online], [site visited Aug. 28, 2020], Avail-



able from Internet: <URL: <https://www.youtube.com/watch?v=5JCMXNseCEQ>> (Year: 2018).*

“Magnetic tile racing car set” uploaded Sep. 1, 2018 by Vohoho Toys [online], [site visited Aug. 28, 2020], Available from Internet: <URL: <https://www.youtube.com/watch?v=yZRQpW1Hf80>> (Year: 2018).*

Magnetic Racing Track 55 Piece By Mag-Genius Ultimate Fantasy Racing Set, reviewed May 24, 2019 [online], [site visited Aug. 28, 2020], Available from Internet: <URL: <https://www.walmart.com/ip/Magnetic-Racing-Track-55-Piece-By-Mag-Genius-Ultimate-Fantasy-Racing-Set/598938250?selected=true>> (Year: 2019).*

Best Choice Products Magnetic Tile Car Race Track Set, reviewed Nov. 12, 2019 [online], [site visited Aug. 28, 2020], Available from Internet: <URL: <https://www.walmart.com/ip/Best-Choice-Products-105-Piece-Kids-Magnetic-Tile-Car-Race-Track-STEM-Learning-Building-Toy-Set-w-2-Light-Up-Cars/873867840?>> (Year: 2019).*

* cited by examiner

Primary Examiner — Cynthia M. Chin

(74) *Attorney, Agent, or Firm* — Clement Cheng

(57) **CLAIM**

The ornamental design for a race track toy set, as shown and described.

DESCRIPTION

FIG. 1 is a front view of race track toy set quarter turn piece.

FIG. 2 is a back view of race track toy set quarter turn piece.

FIG. 3 is a top view of a race track toy set quarter turn piece.

FIG. 4 is a bottom view of a race track toy set quarter turn piece.

FIG. 5 is a perspective view of a race track toy set quarter turn piece.

FIG. 6 is a left side view of a race track toy set quarter turn piece.

FIG. 7 is a right side view of a race track toy set quarter turn piece.

FIG. 8 is a bottom left perspective view of a race track toy set quarter turn piece.

FIG. 9 is a bottom right perspective view of a race track toy set quarter turn piece.

FIG. 10 is a top left perspective view of a race track toy set quarter turn piece.

FIG. 11 is a top right perspective view of a race track toy set quarter turn piece.

FIG. 12 is a front view of a race track toy set ramp slope piece.

FIG. 13 is a back view of a race track toy set ramp slope piece.

FIG. 14 is a top view of a race track toy set ramp slope piece.

FIG. 15 is a bottom view of a race track toy set ramp slope piece.

FIG. 16 is a perspective view of a race track toy set ramp slope piece.

FIG. 17 is a left side view of a race track toy set ramp slope piece.

FIG. 18 is a right side view of a race track toy set ramp slope piece.

FIG. 19 is a bottom left perspective view of a race track toy set ramp slope piece.

FIG. 20 is a bottom right perspective view of race track toy set ramp slope piece.

FIG. 21 is a top left perspective view of a race track toy set ramp slope piece.

FIG. 22 is a top right perspective view of a race track toy set ramp slope piece.

FIG. 23 is a front view of a marble run toy set bump piece.

FIG. 24 is a back view of a race track toy set bump piece.

FIG. 25 is a top view of a race track toy set bump piece.

FIG. 26 is a bottom view of a race track toy set bump piece.

FIG. 27 is a perspective view of a race track toy set bump piece.

FIG. 28 is a left side view of a race track toy set bump piece.

FIG. 29 is a right side view of a race track toy set bump piece.

FIG. 30 is a bottom left perspective view of a race track toy set bump piece.

FIG. 31 is a bottom right perspective view of a race track toy set bump piece.

FIG. 32 is a top left perspective view of a race track toy set bump piece.

FIG. 33 is a top right perspective view of a race track toy set bump piece.

FIG. 34 is a front view of a race track toy set eighth turn piece.

FIG. 35 is a back view of a race track toy set eighth turn piece.

FIG. 36 is a top view of a race track toy set eighth turn piece.

FIG. 37 is a bottom view of a race track toy set eighth turn piece.

FIG. 38 is a perspective view of a race track toy set eighth turn piece.

FIG. 39 is a left side view of a race track toy set eighth turn piece.

FIG. 40 is a right side view of a race track toy set eighth turn piece.

FIG. 41 is a bottom left perspective view of a race track toy set eighth turn piece.

FIG. 42 is a bottom right perspective view of a race track toy set eighth turn piece.

FIG. 43 is a top left perspective view of a race track toy set eighth turn piece.

FIG. 44 is a top right perspective view of a race track toy set eighth turn piece.

FIG. 45 is a front view of a race track toy set sway right piece.

FIG. 46 is a back view of a race track toy set sway right piece.

FIG. 47 is a top view of a race track toy set sway right piece.

FIG. 48 is a bottom view of a race track toy set sway right piece.

FIG. 49 is a perspective view of a race track toy set sway right piece.

FIG. 50 is a left side view of a race track toy set sway right piece.

FIG. 51 is a right side view of a race track toy set sway right piece.

FIG. 52 is a bottom left perspective view of a race track toy set sway right piece.

FIG. 53 is a bottom right perspective view of a race track toy set sway right piece.

FIG. 54 is a top left perspective view of a race track toy set sway right piece.

FIG. 55 is a top right perspective view of a race track toy set sway right piece.

FIG. 56 is a front view of race track toy set sway left piece.

FIG. 57 is a back view of race track toy set sway left piece.

FIG. 58 is a top view of a race track toy set sway left piece.

FIG. 59 is a bottom view of a race track toy set sway left piece.

FIG. 60 is a perspective view of a race track toy set sway left piece.

FIG. 61 is a left side view of a race track toy set sway left piece.

FIG. 62 is a right side view of a race track toy set sway left piece.

FIG. 63 is a bottom left perspective view of a race track toy set sway left piece.

FIG. 64 is a bottom right perspective view of a race track toy set sway left piece.

FIG. 65 is a top left perspective view of a race track toy set sway left piece.

FIG. 66 is a top right perspective view of a race track toy set sway left piece.

FIG. 67 is a front view of race track toy set T-shape piece.

FIG. 68 is a back view of race track toy set T-shape piece.

FIG. 69 is a top view of a race track toy set T-shape piece.

FIG. 70 is a bottom view of a race track toy set T-shape piece.

FIG. 71 is a perspective view of a race track toy set T-shape piece.

FIG. 72 is a left side view of a race track toy set T-shape piece.

FIG. 73 is a right side view of a race track toy set T-shape piece.

FIG. 74 is a bottom left perspective view of a race track toy set T-shape piece.

FIG. 75 is a bottom right perspective view of a race track toy set T-shape piece.

FIG. 76 is a top left perspective view of a race track toy set T-shape piece; and,

FIG. 77 is a top right perspective view of a race track toy set T-shape piece.

The pieces of the race track toy set are shown separately for ease and clarity of illustration.

1 Claim, 77 Drawing Sheets

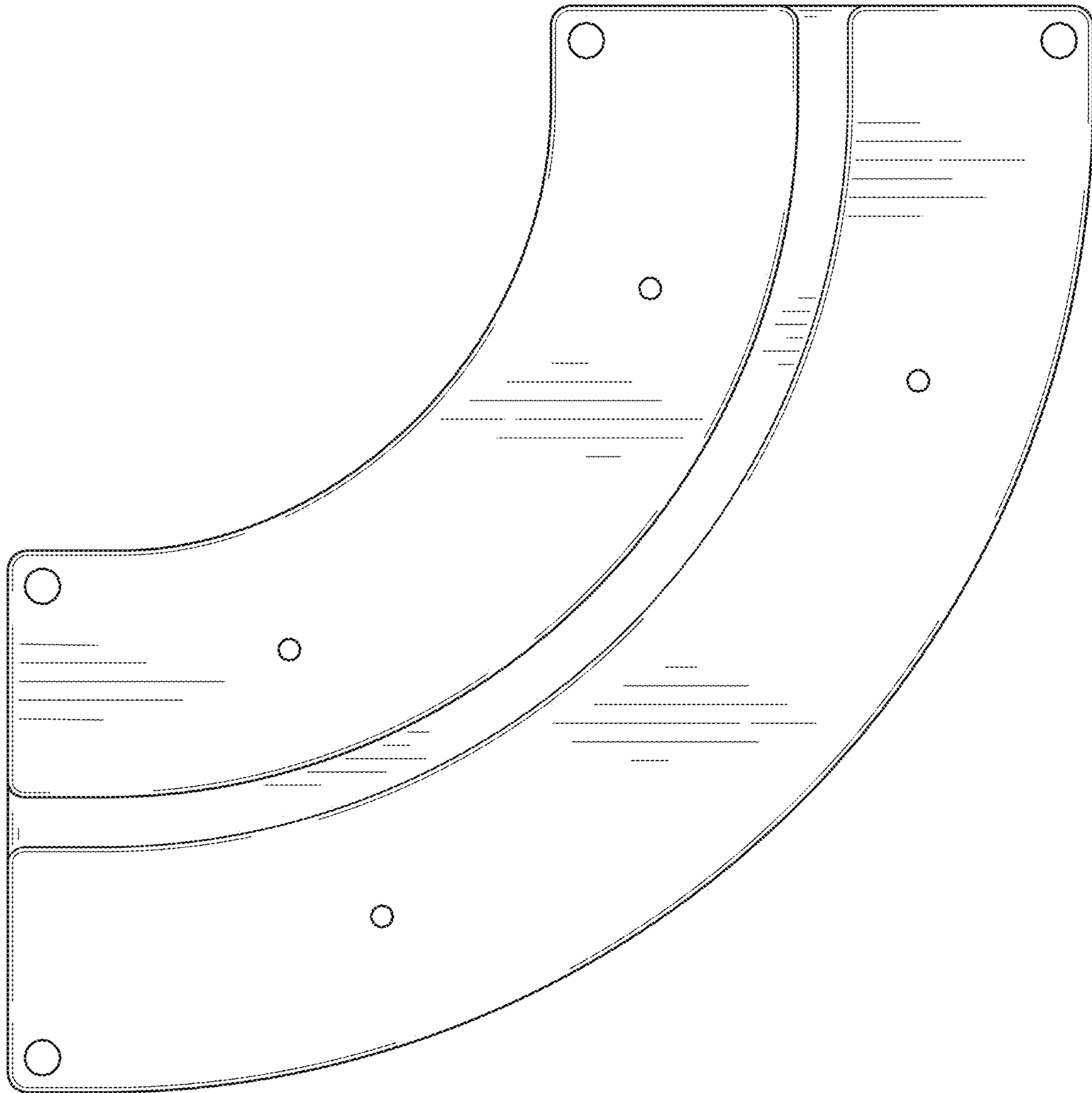


Fig. 1

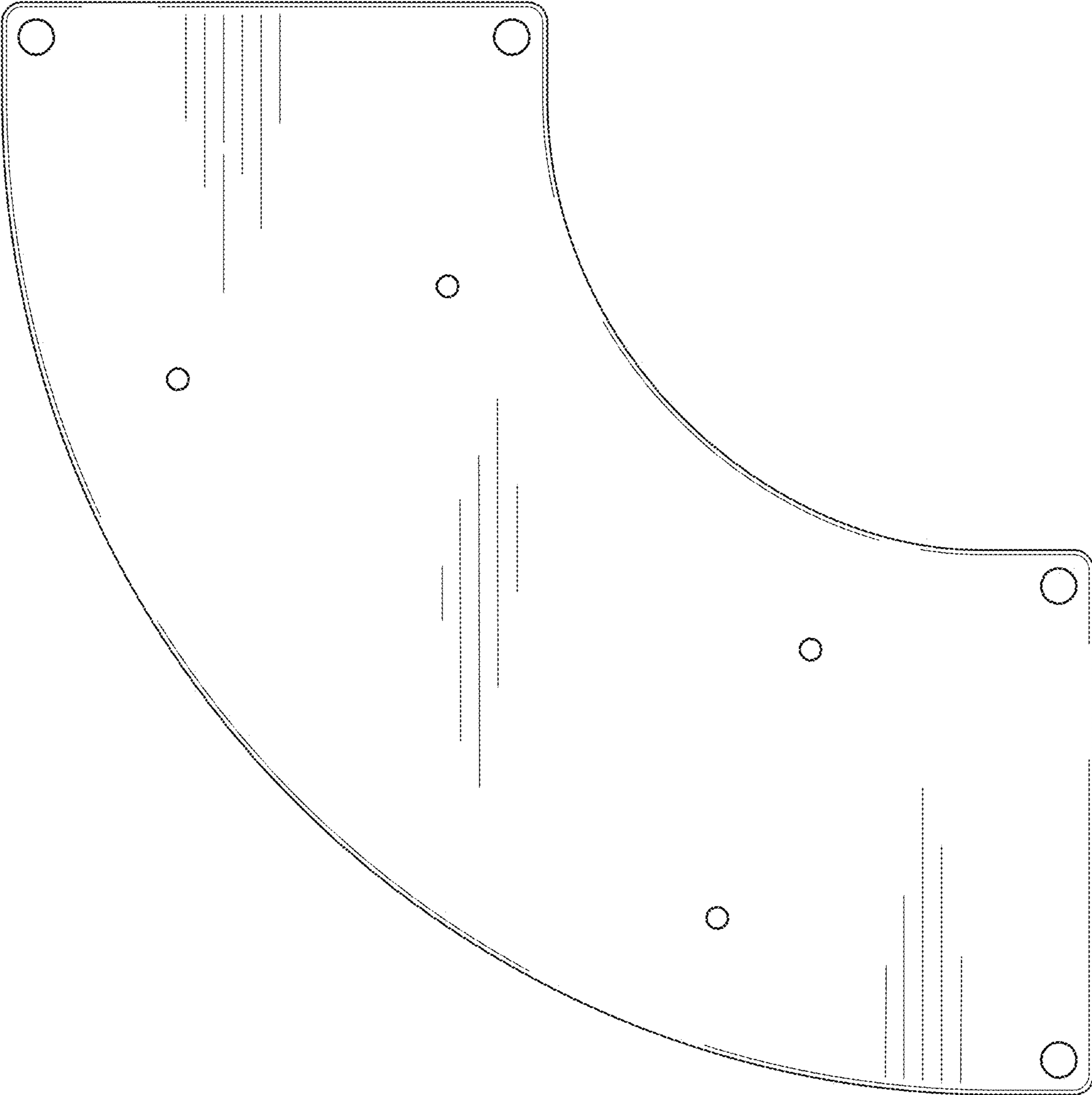


Fig. 2

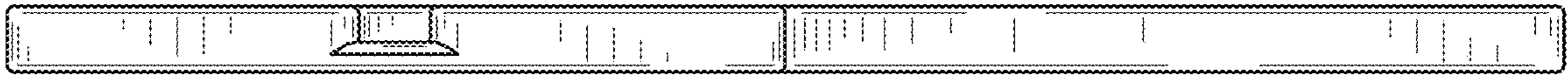


Fig. 3



Fig. 4

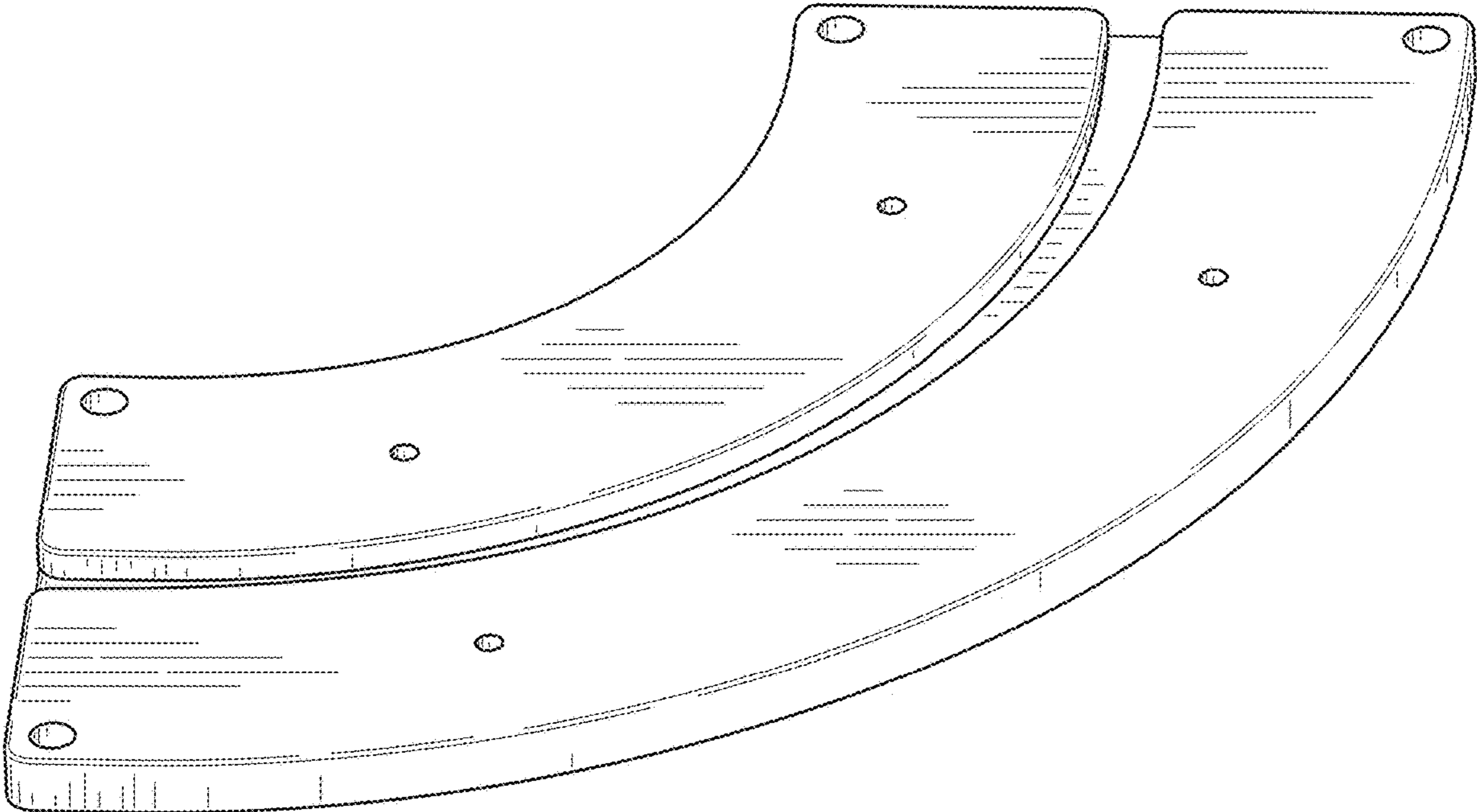


Fig. 5



Fig. 6



Fig. 7

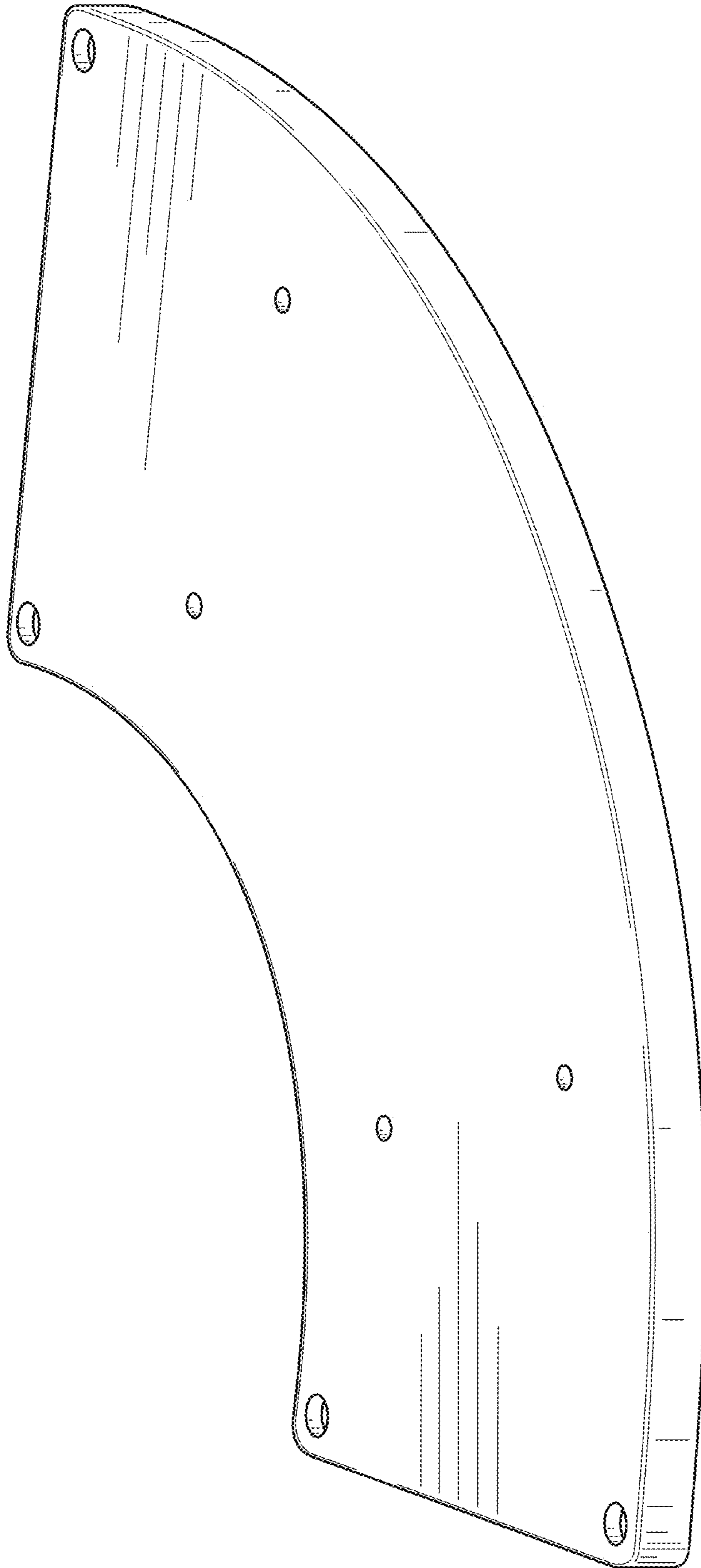


Fig. 8

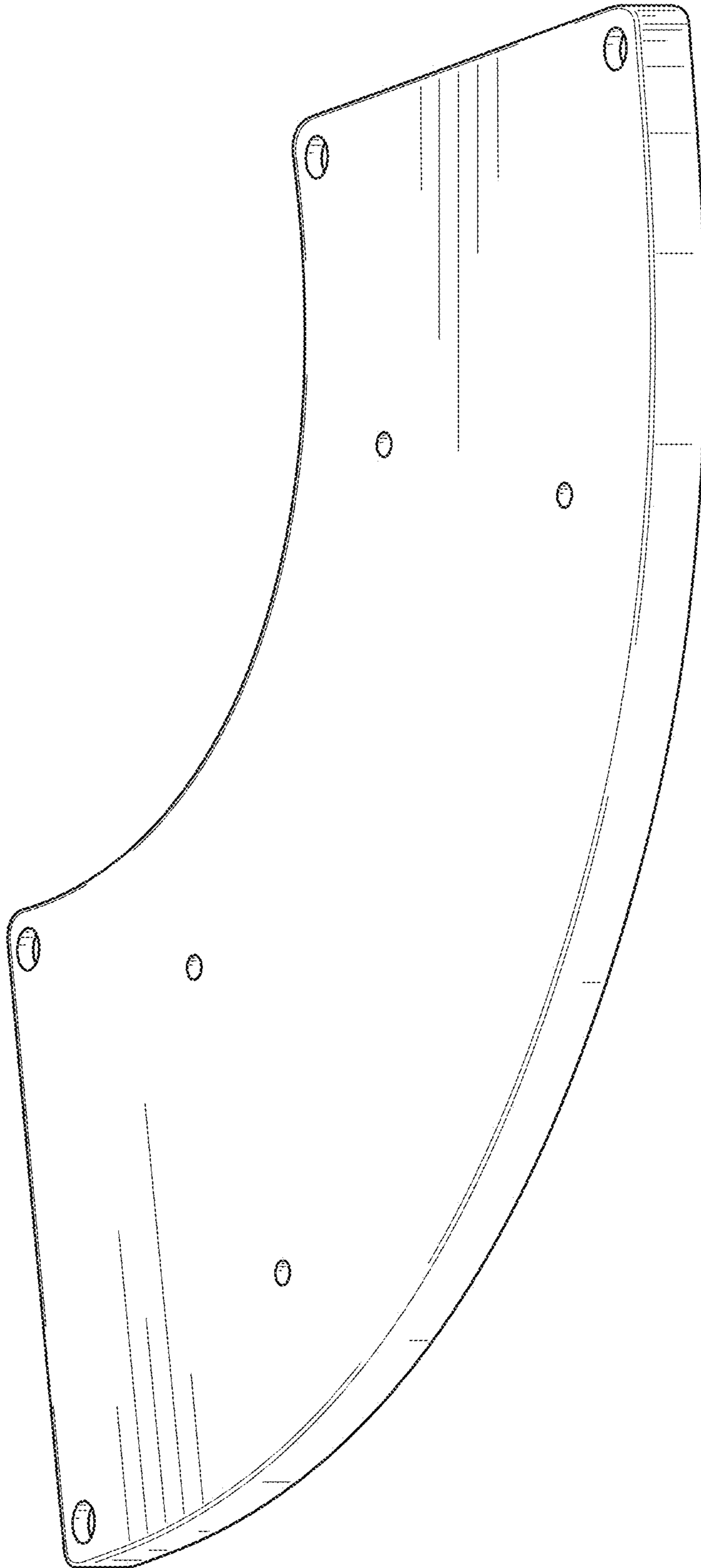


Fig. 9

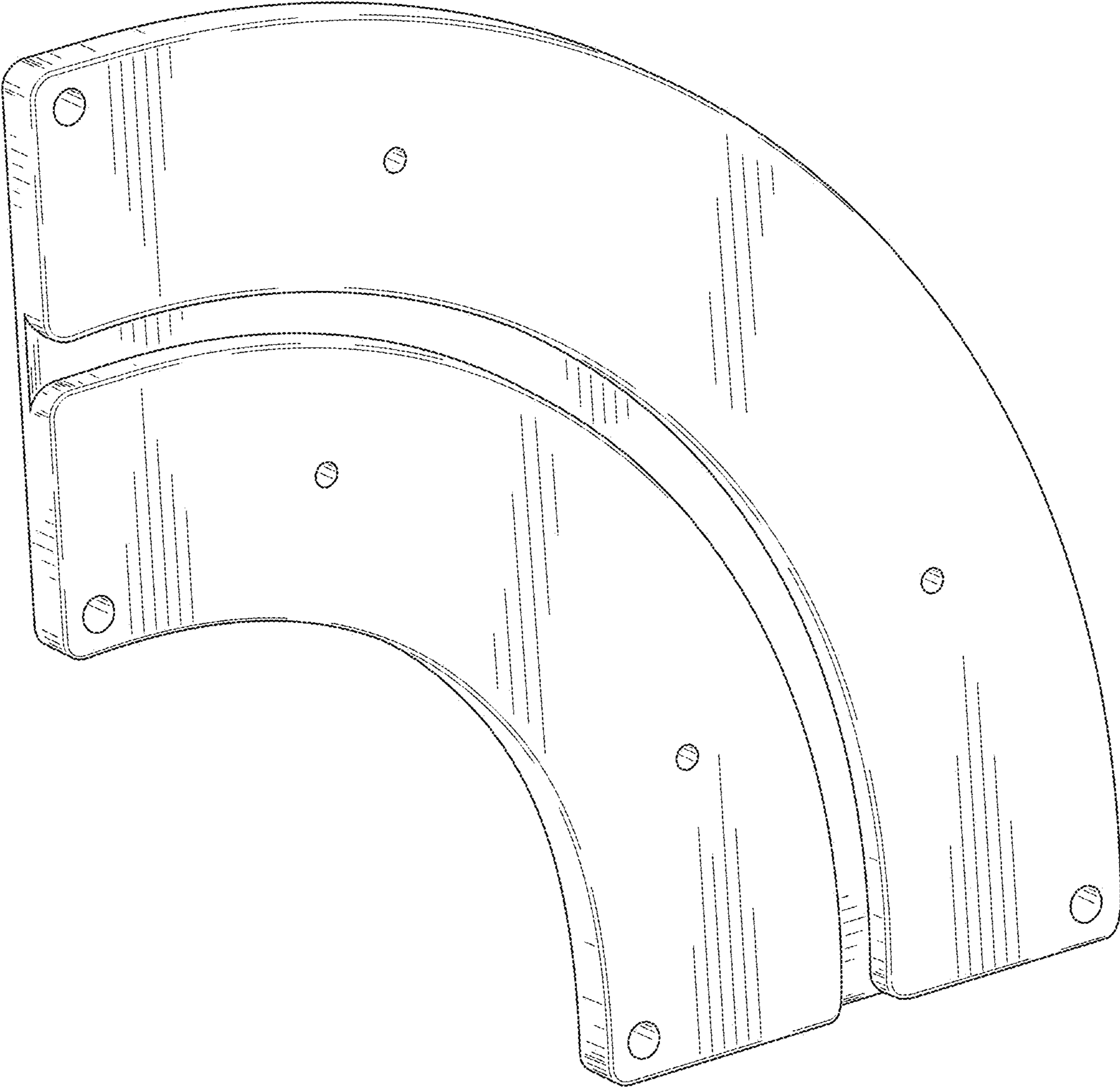


Fig. 10

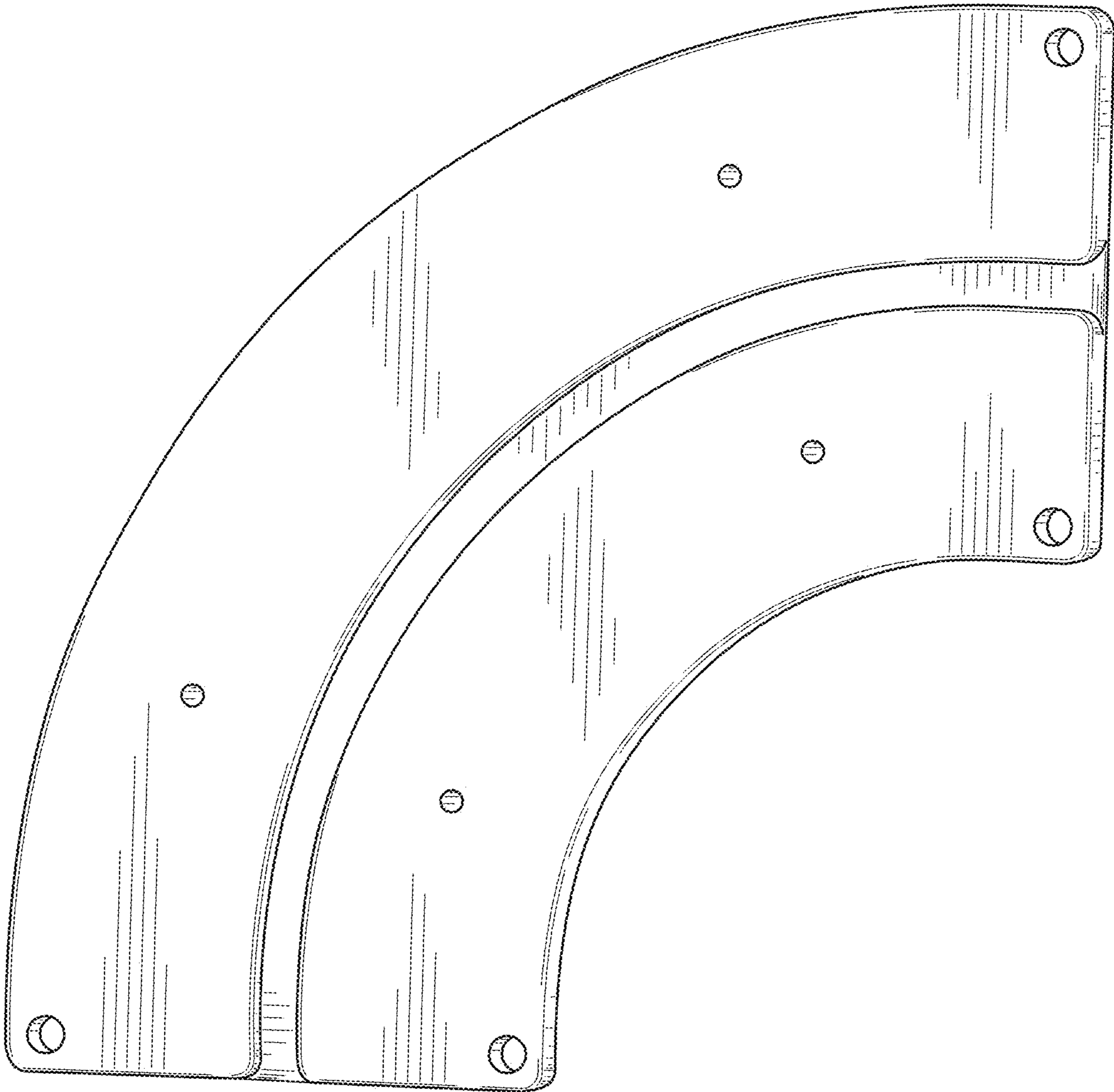


Fig. 11

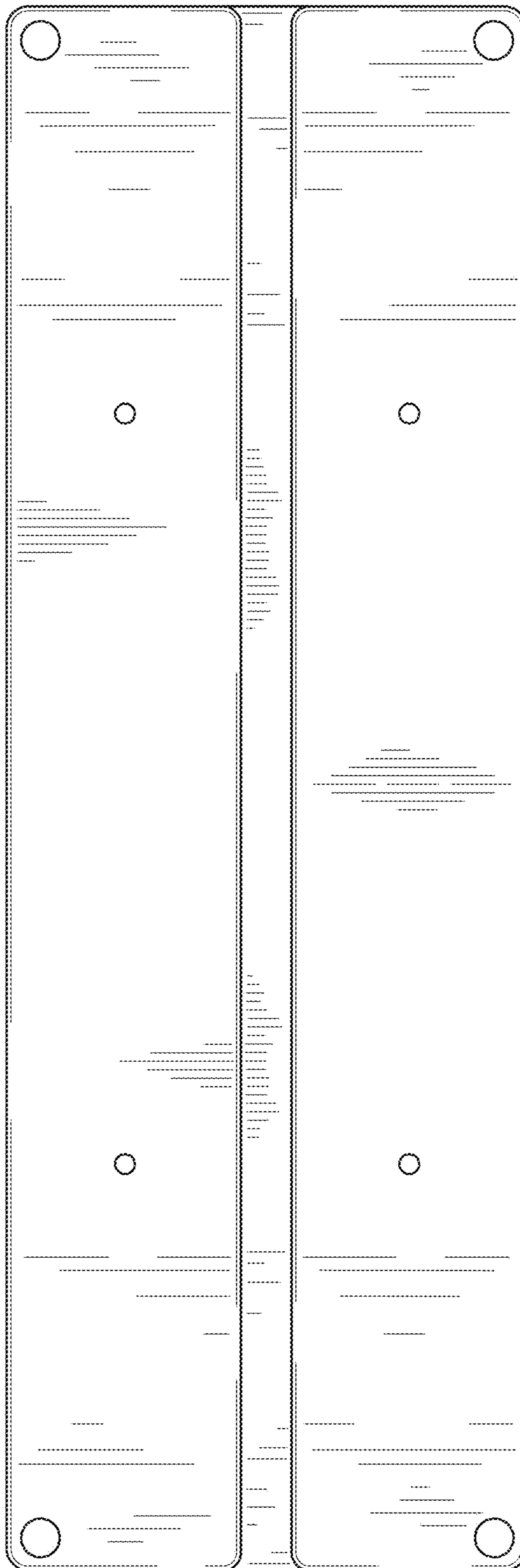


Fig. 12

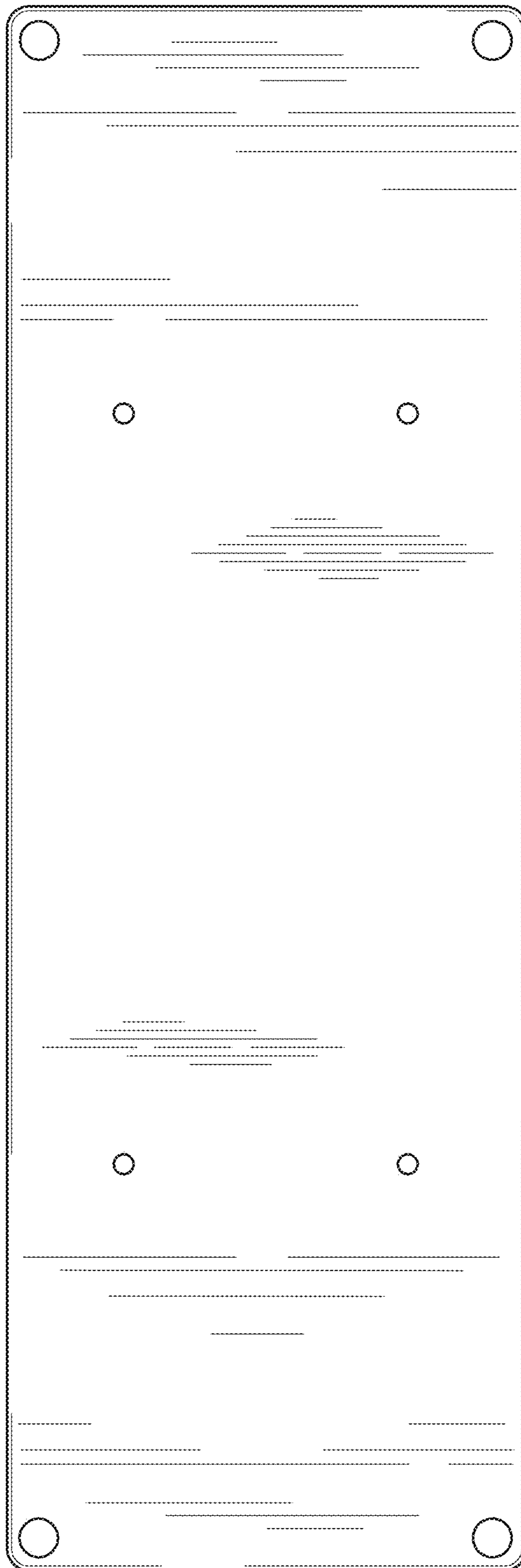


Fig. 13

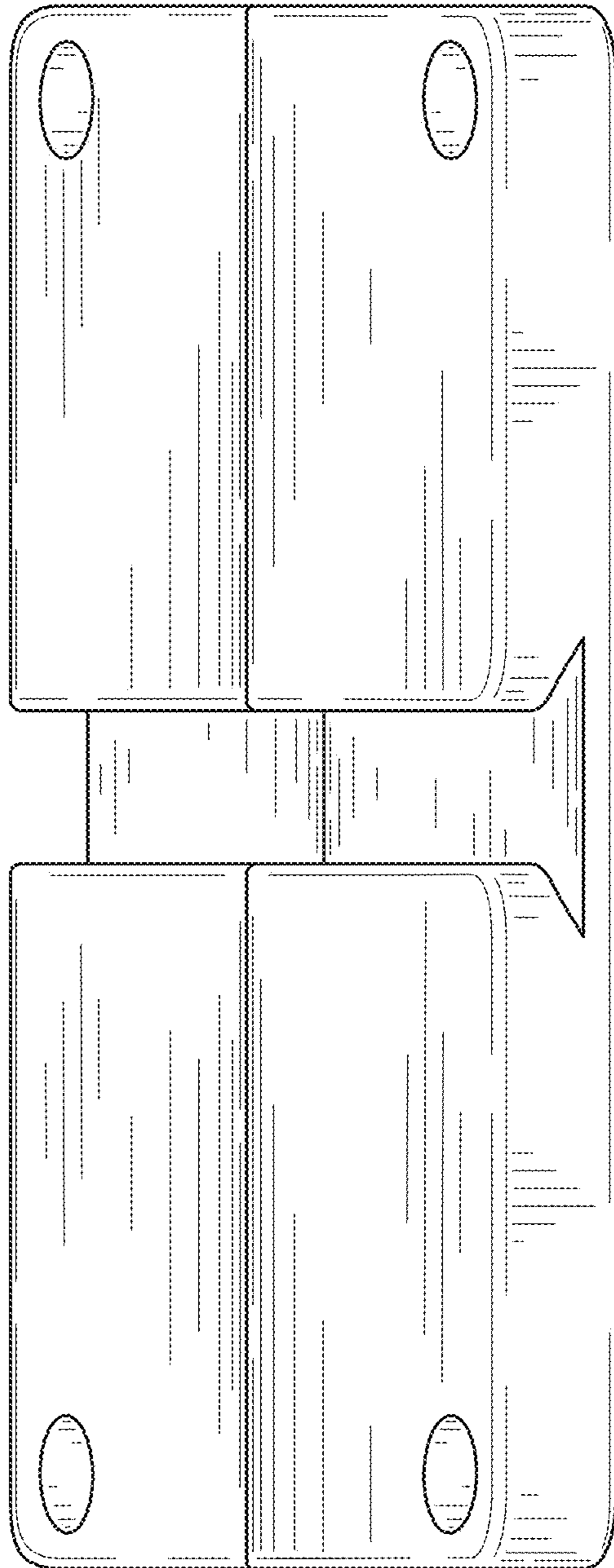


Fig. 14

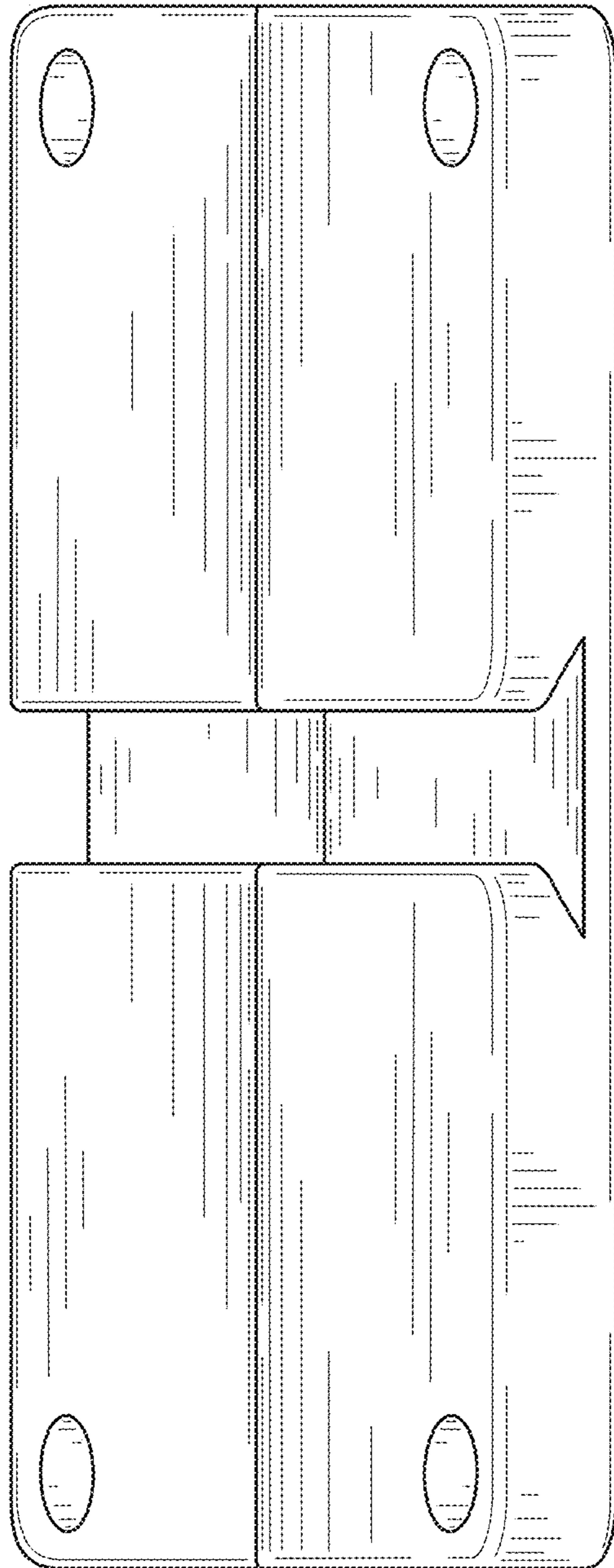


Fig. 15

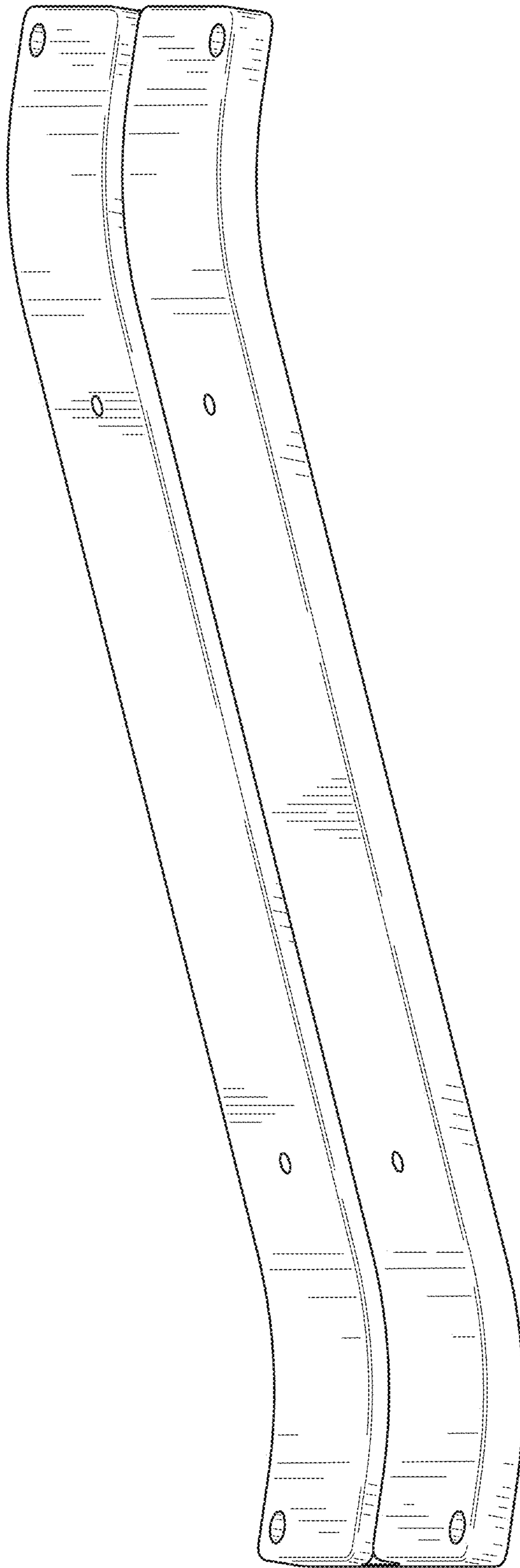


Fig. 16

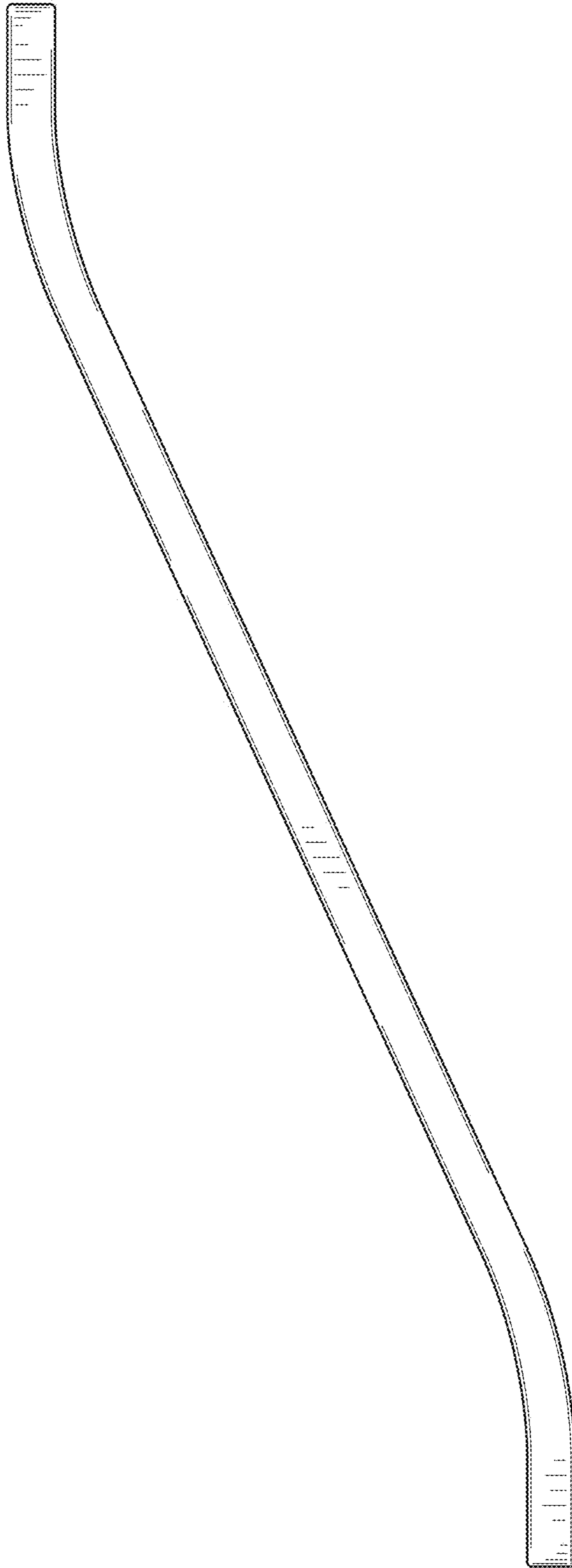


Fig. 17

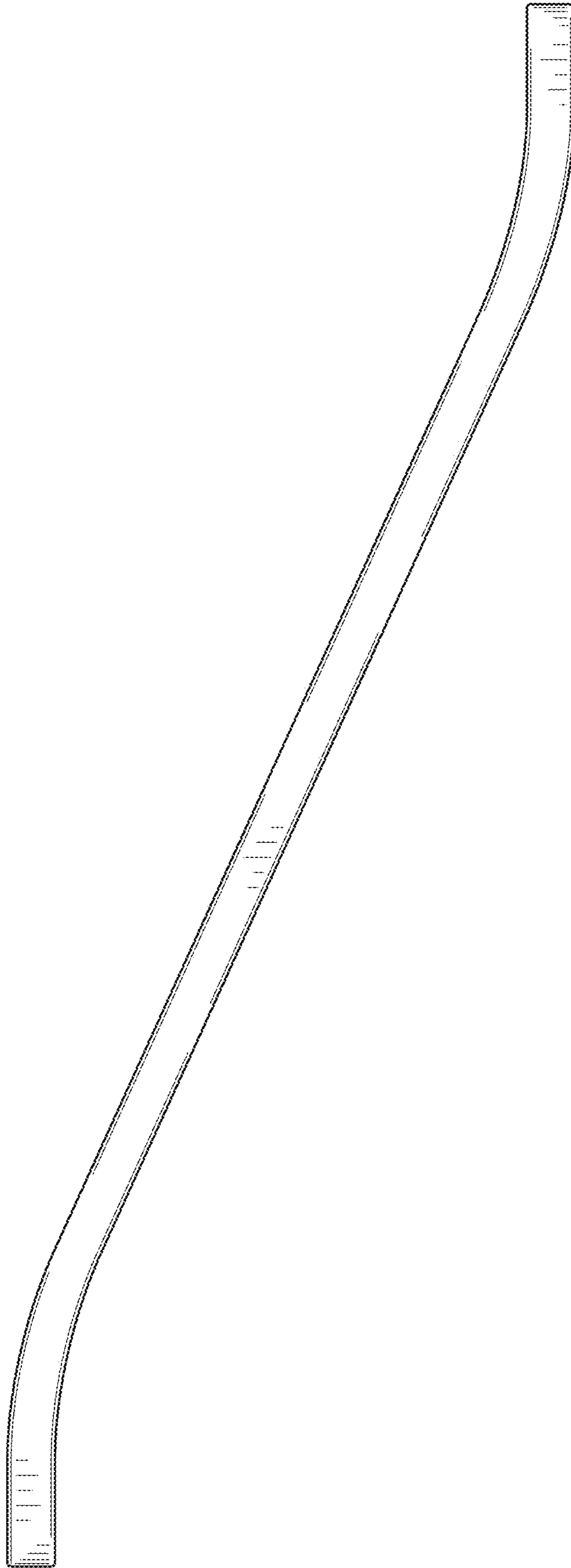


Fig. 18

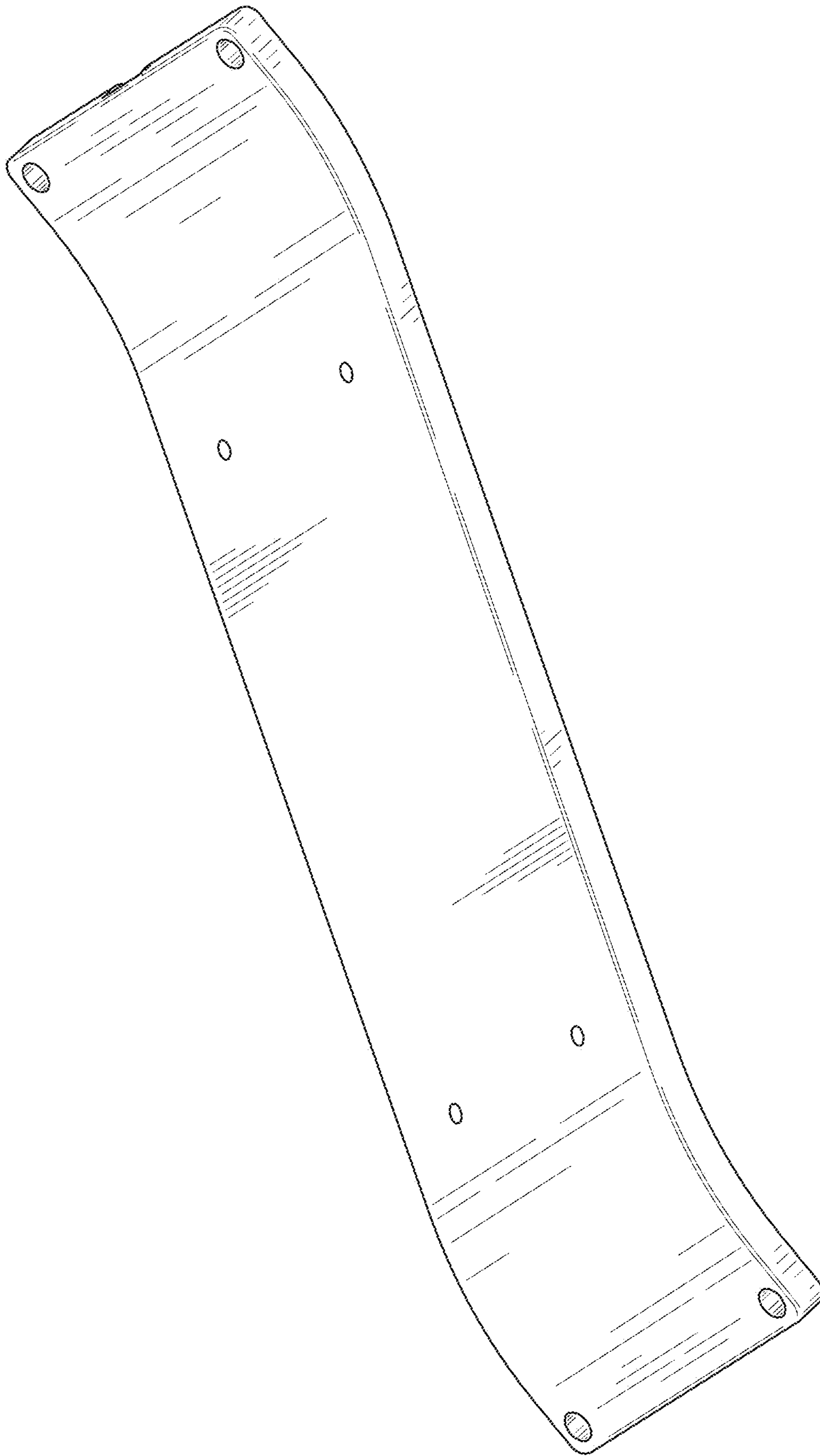


Fig. 19

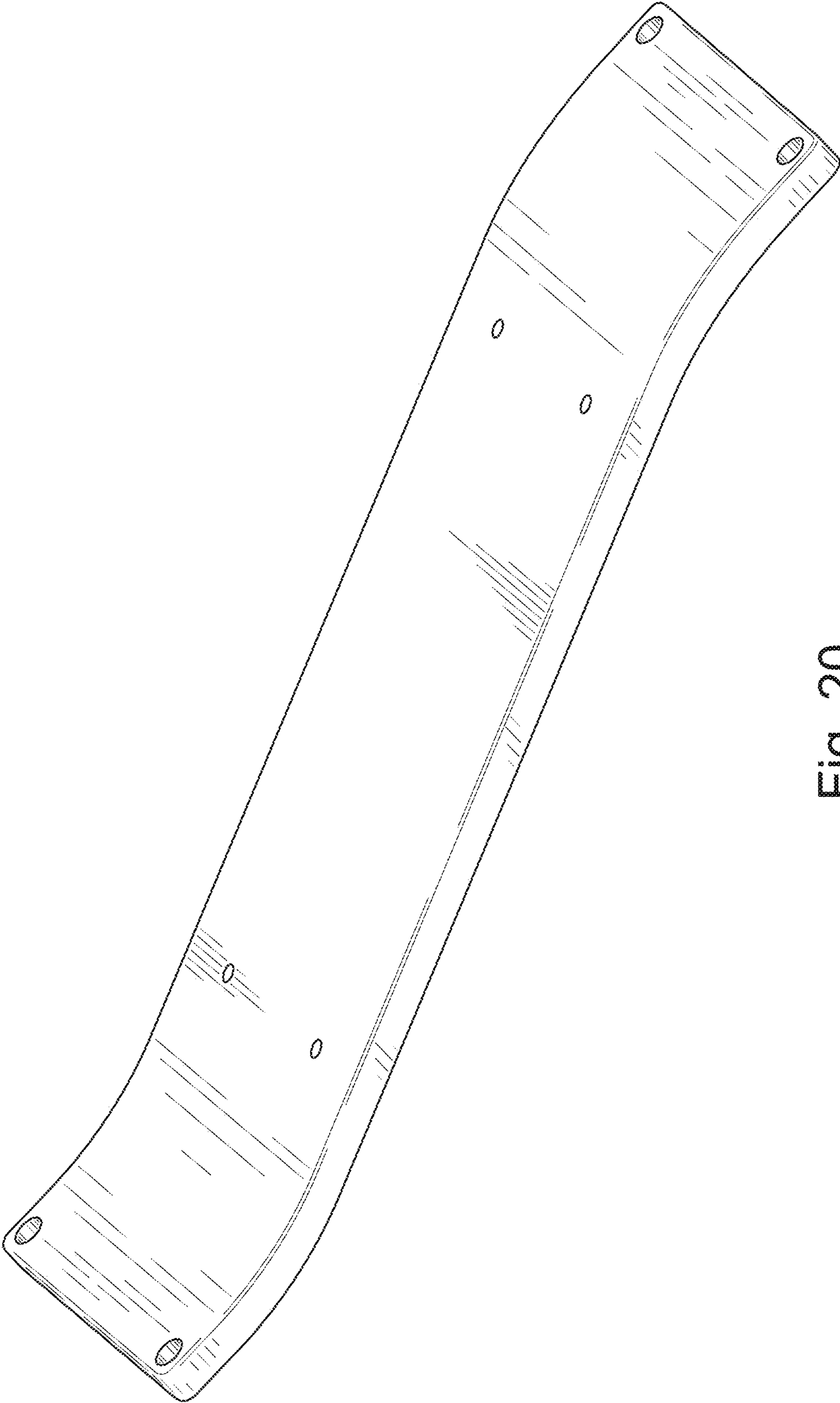


Fig. 20

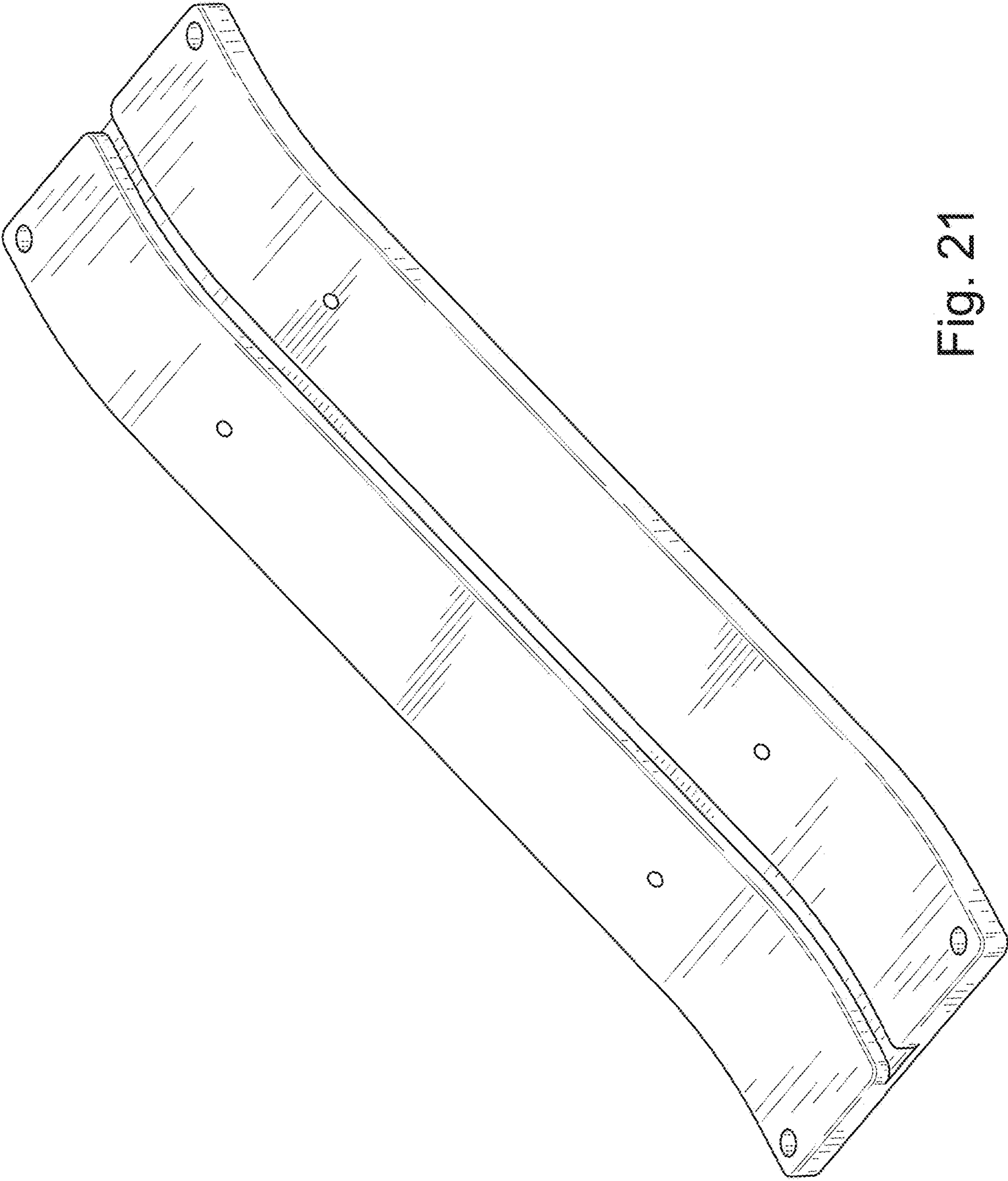


Fig. 21

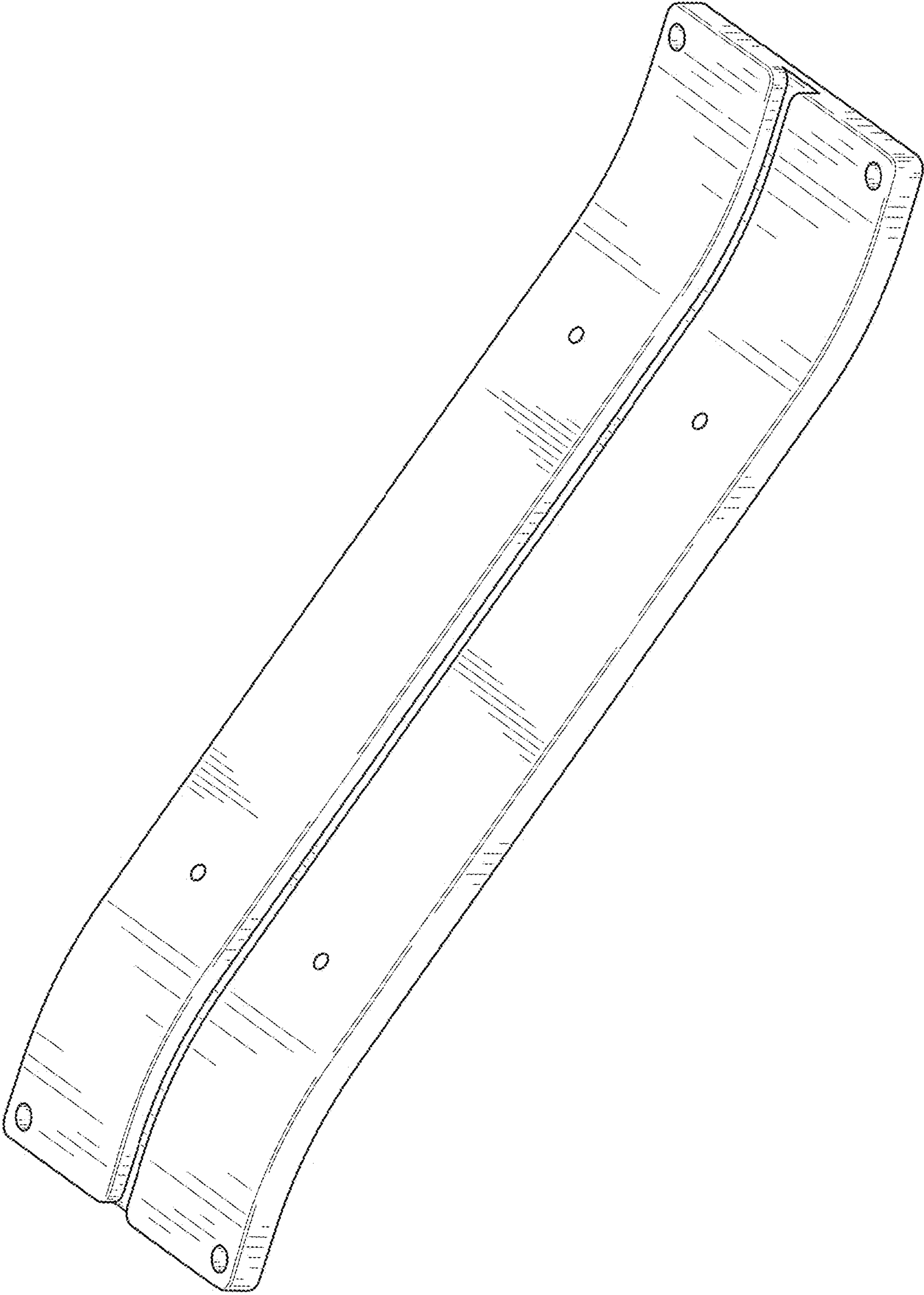


Fig. 22

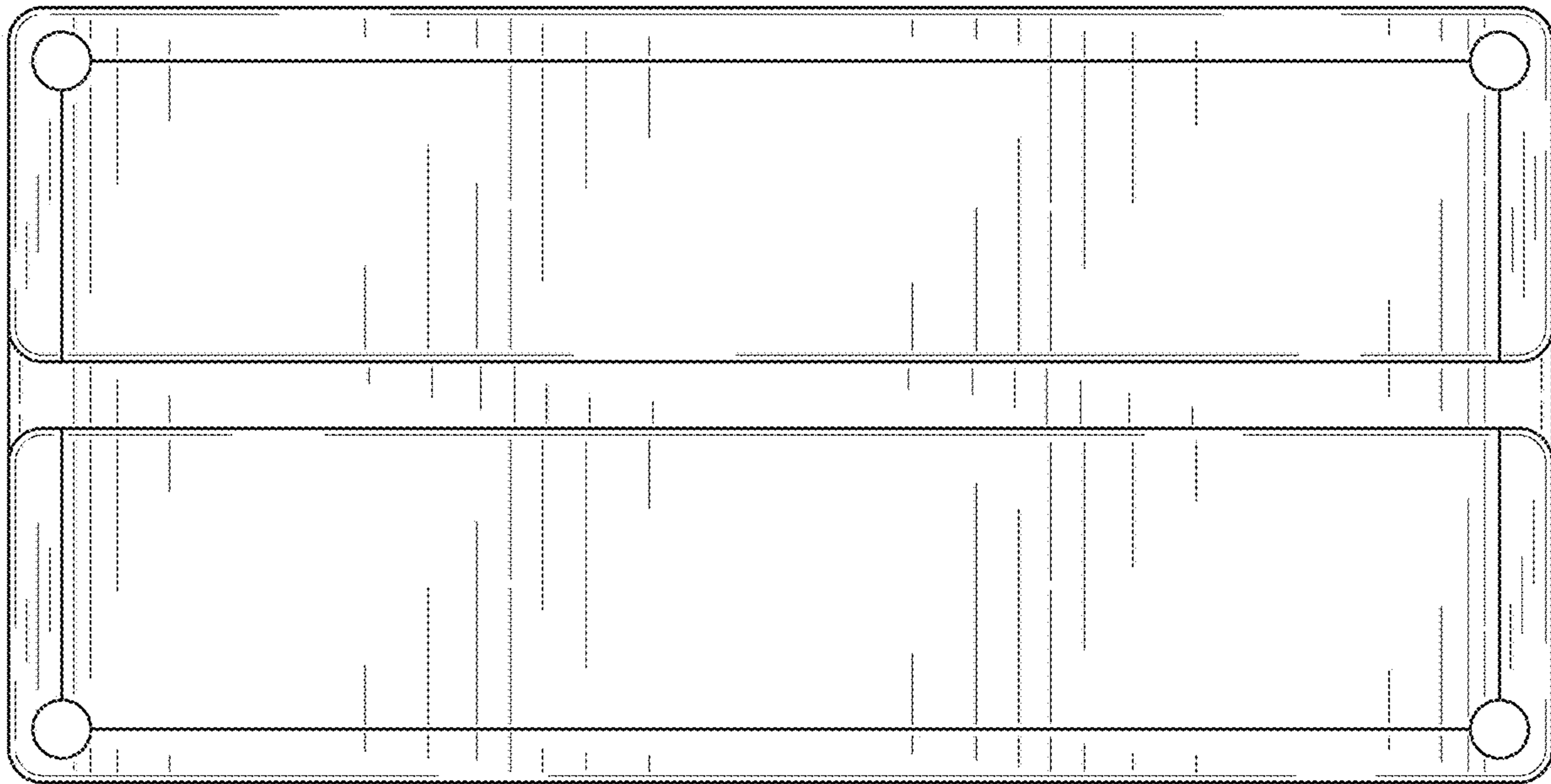


Fig. 23

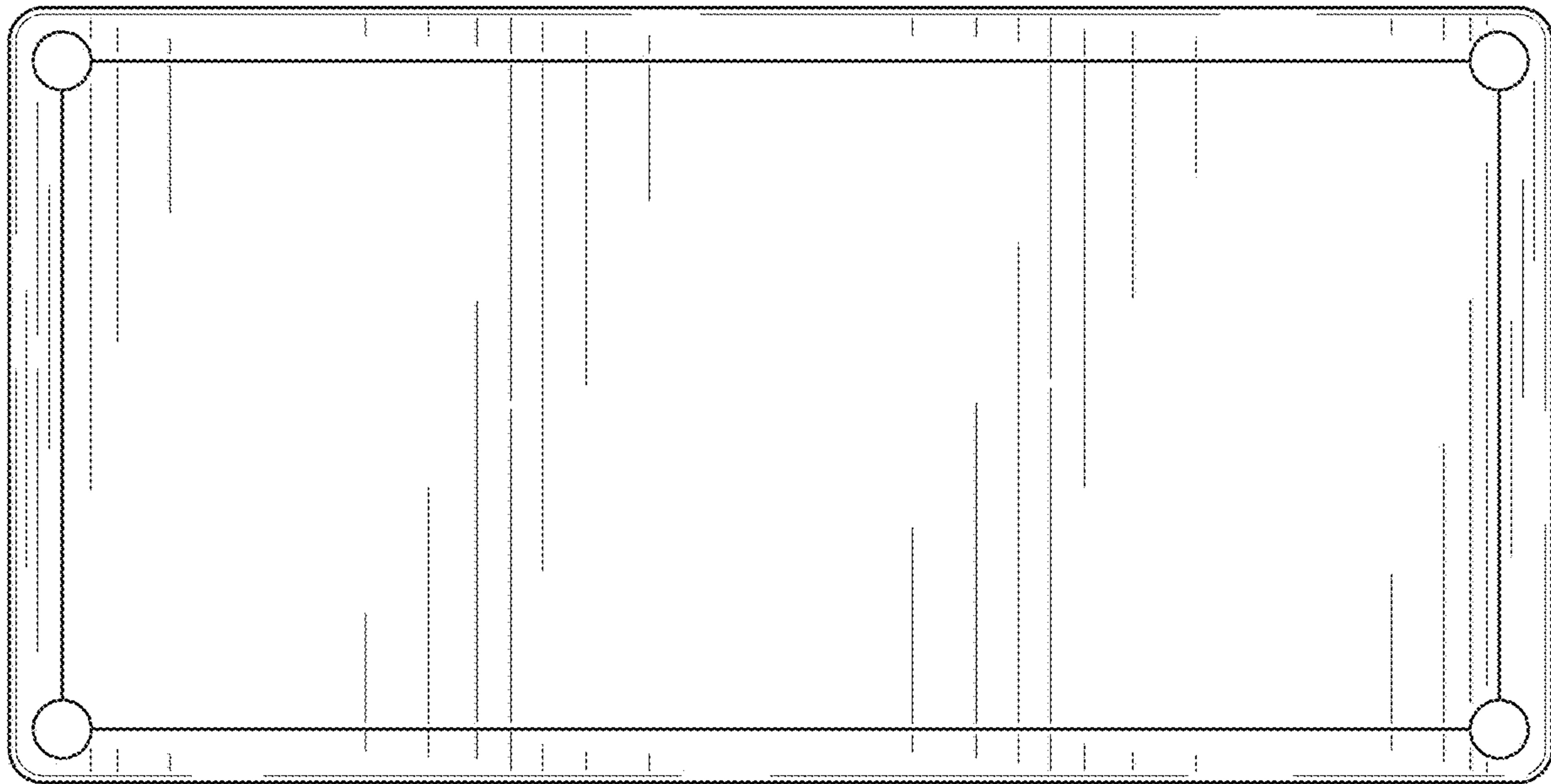


Fig. 24

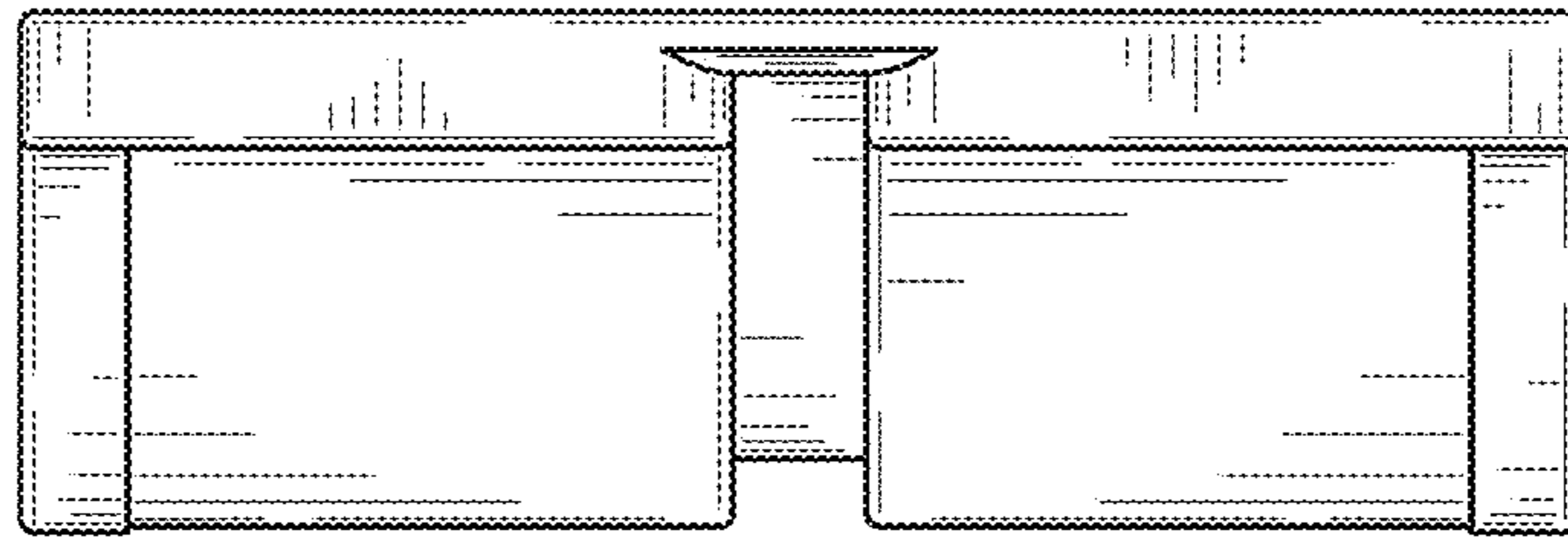


Fig. 25

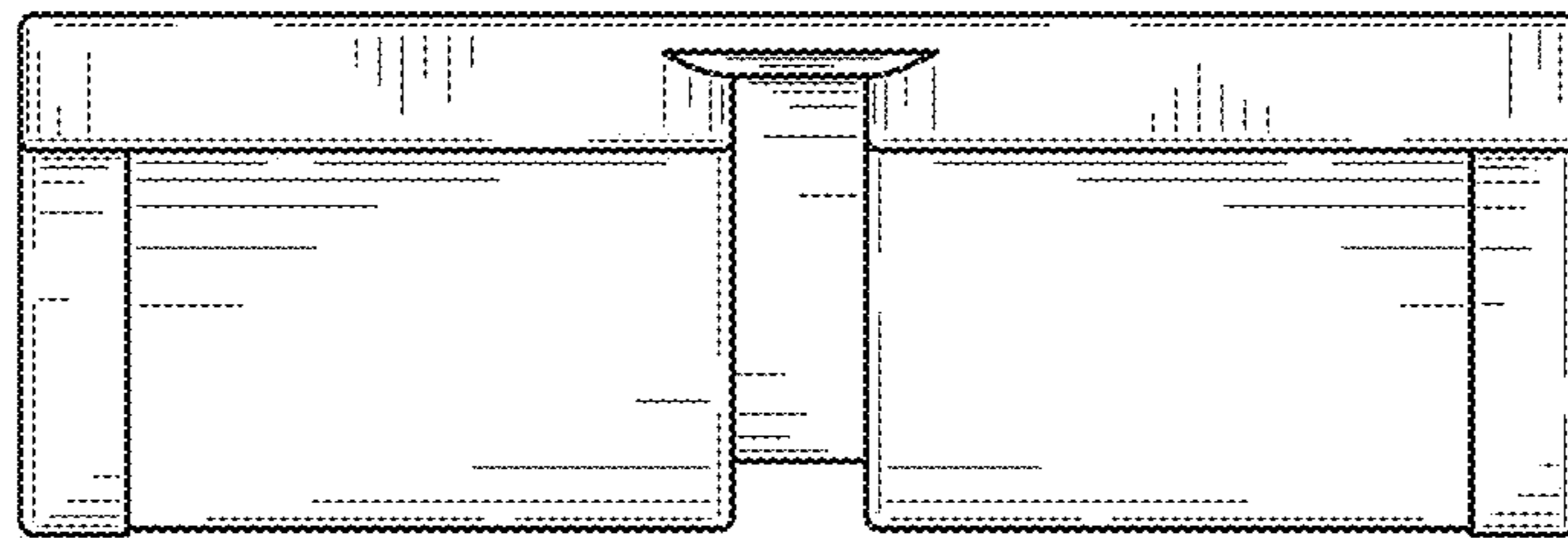


Fig. 26

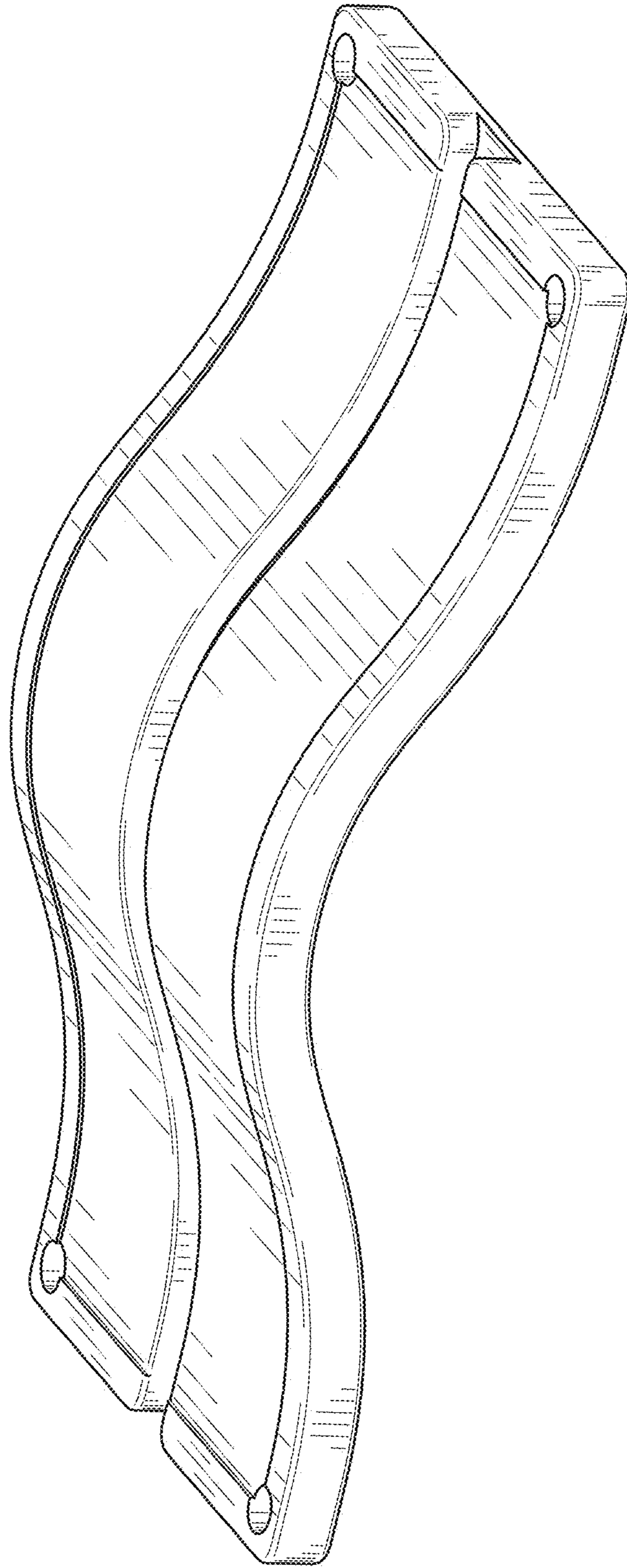


Fig. 27

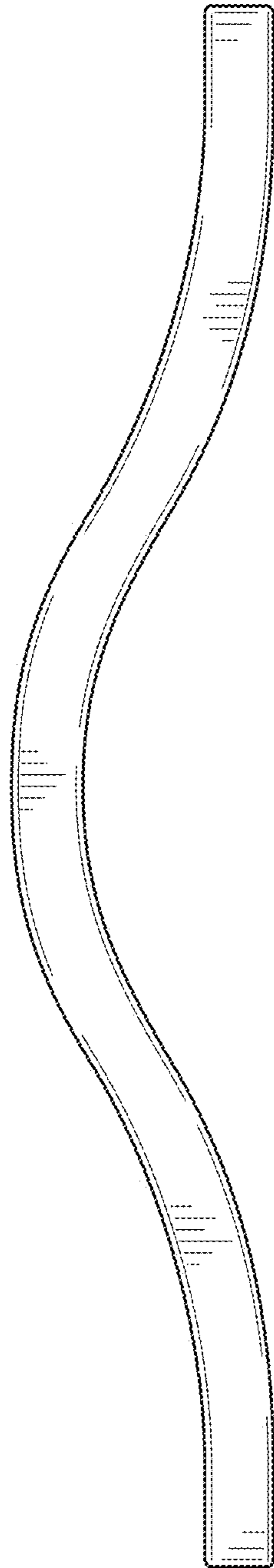


Fig. 28

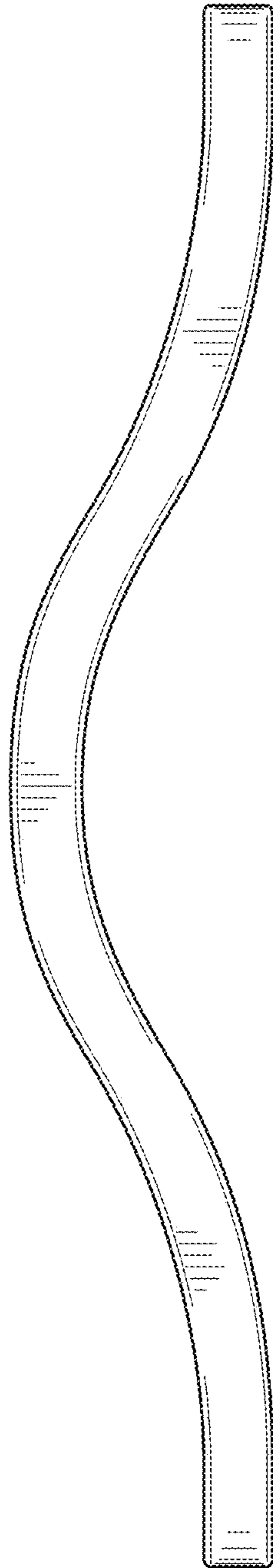


Fig. 29

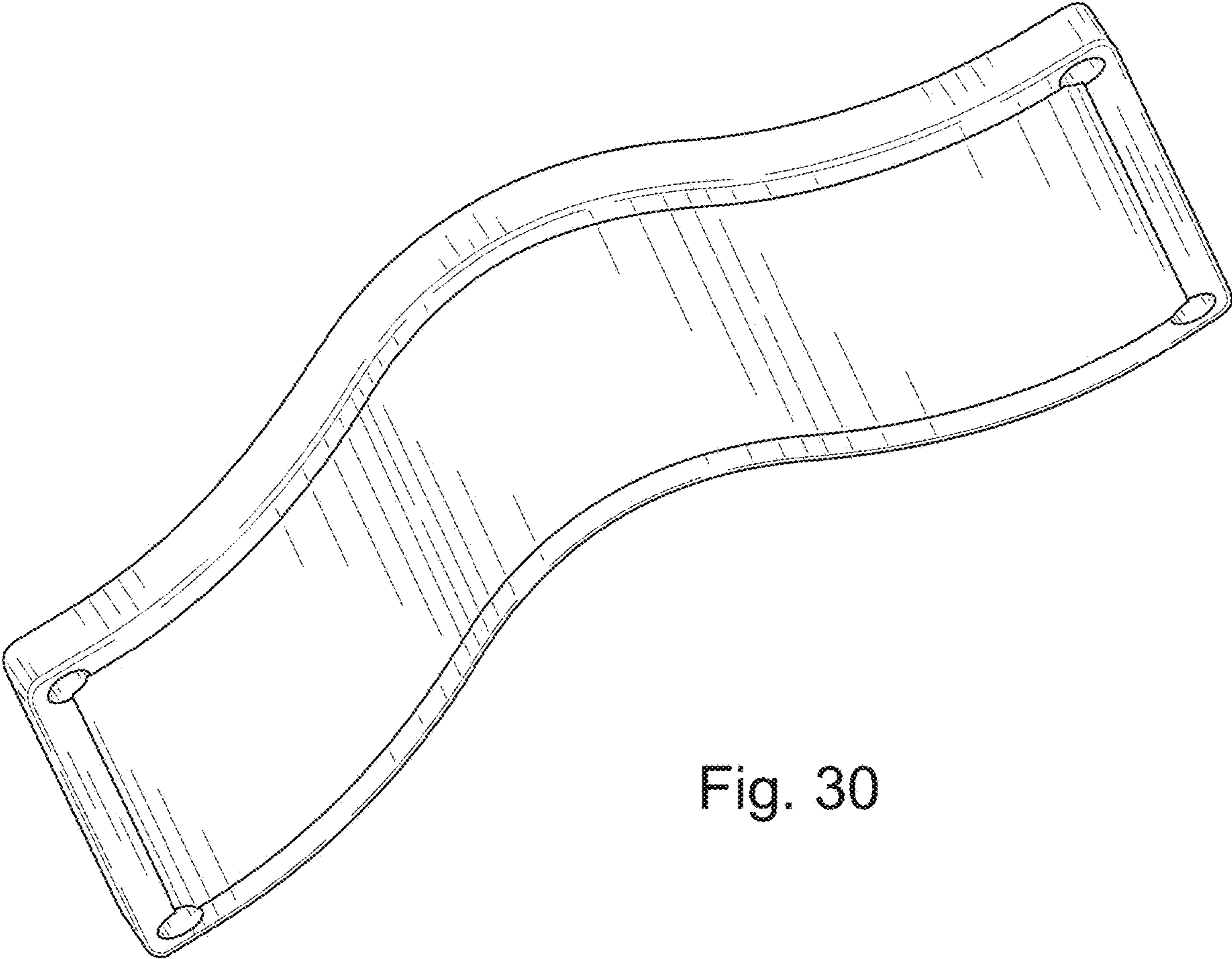


Fig. 30

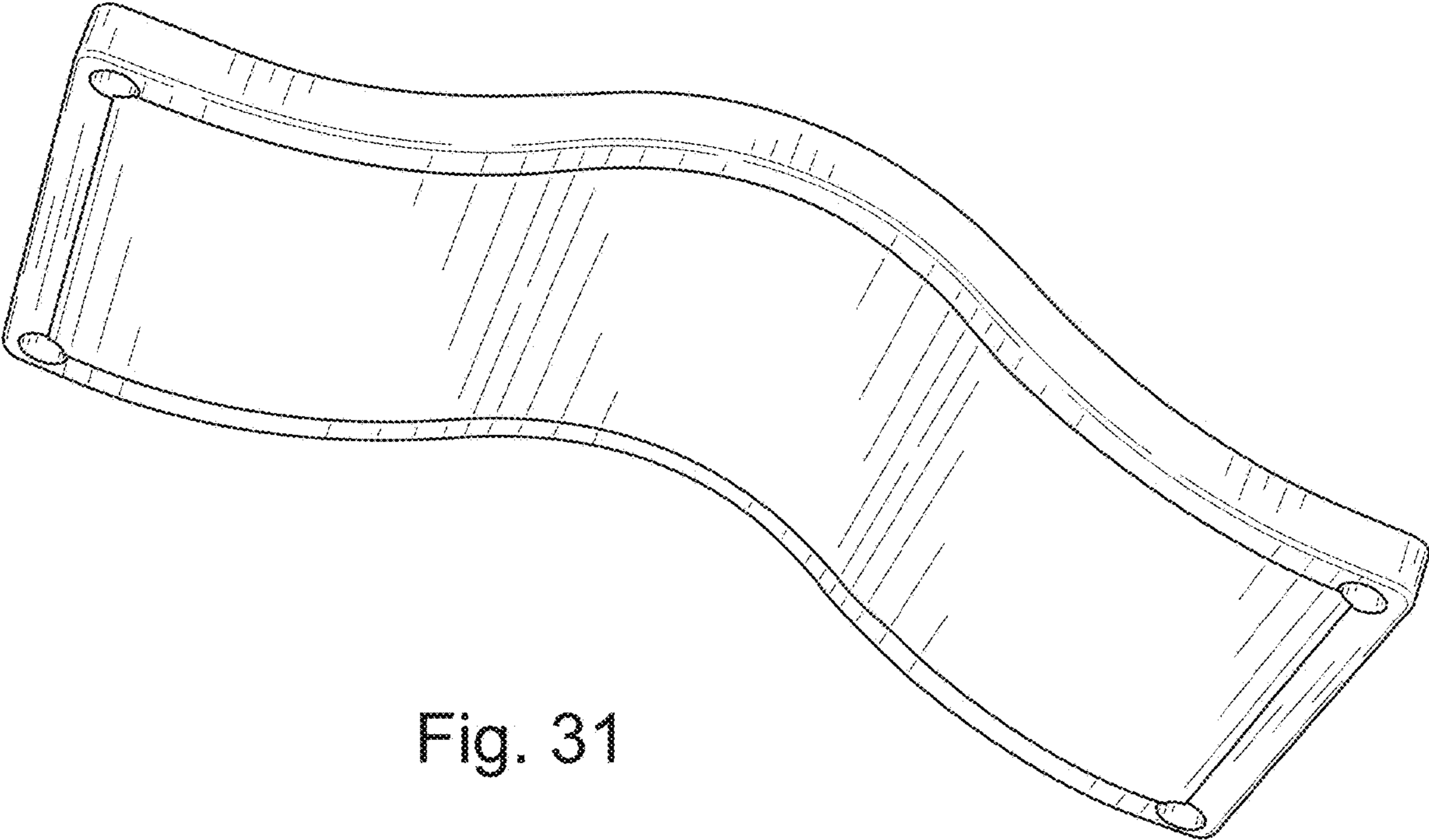


Fig. 31

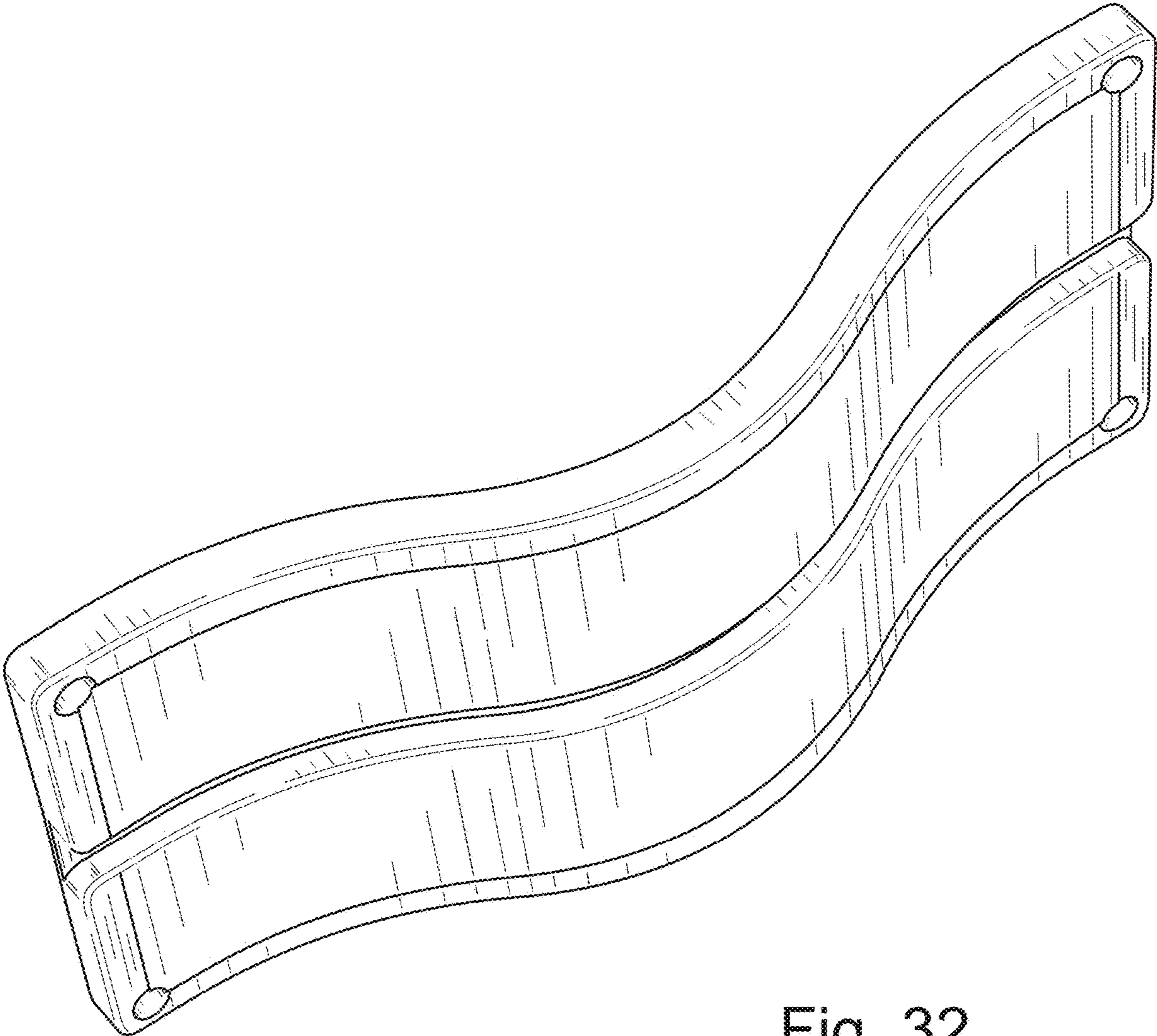


Fig. 32

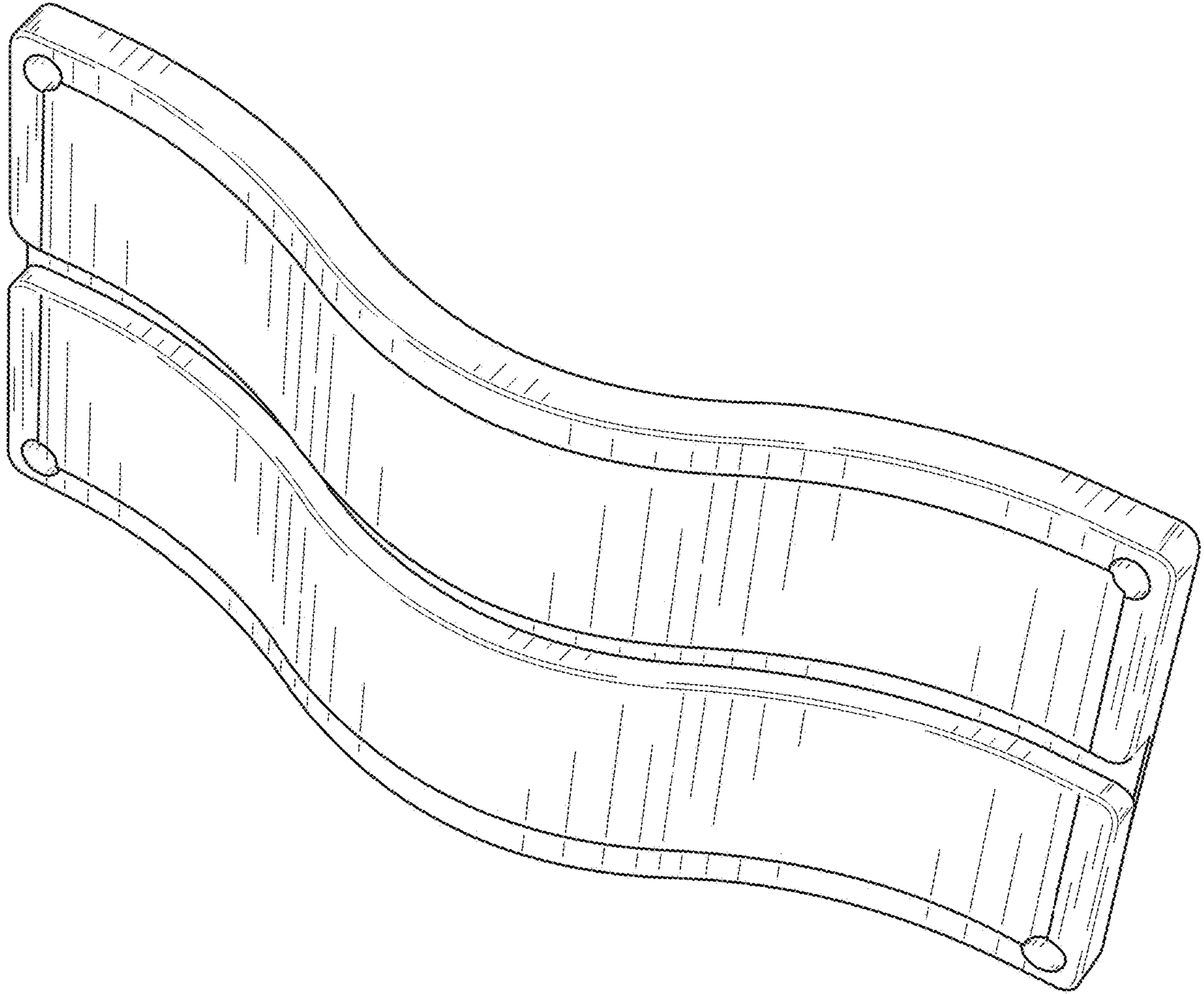


Fig. 33

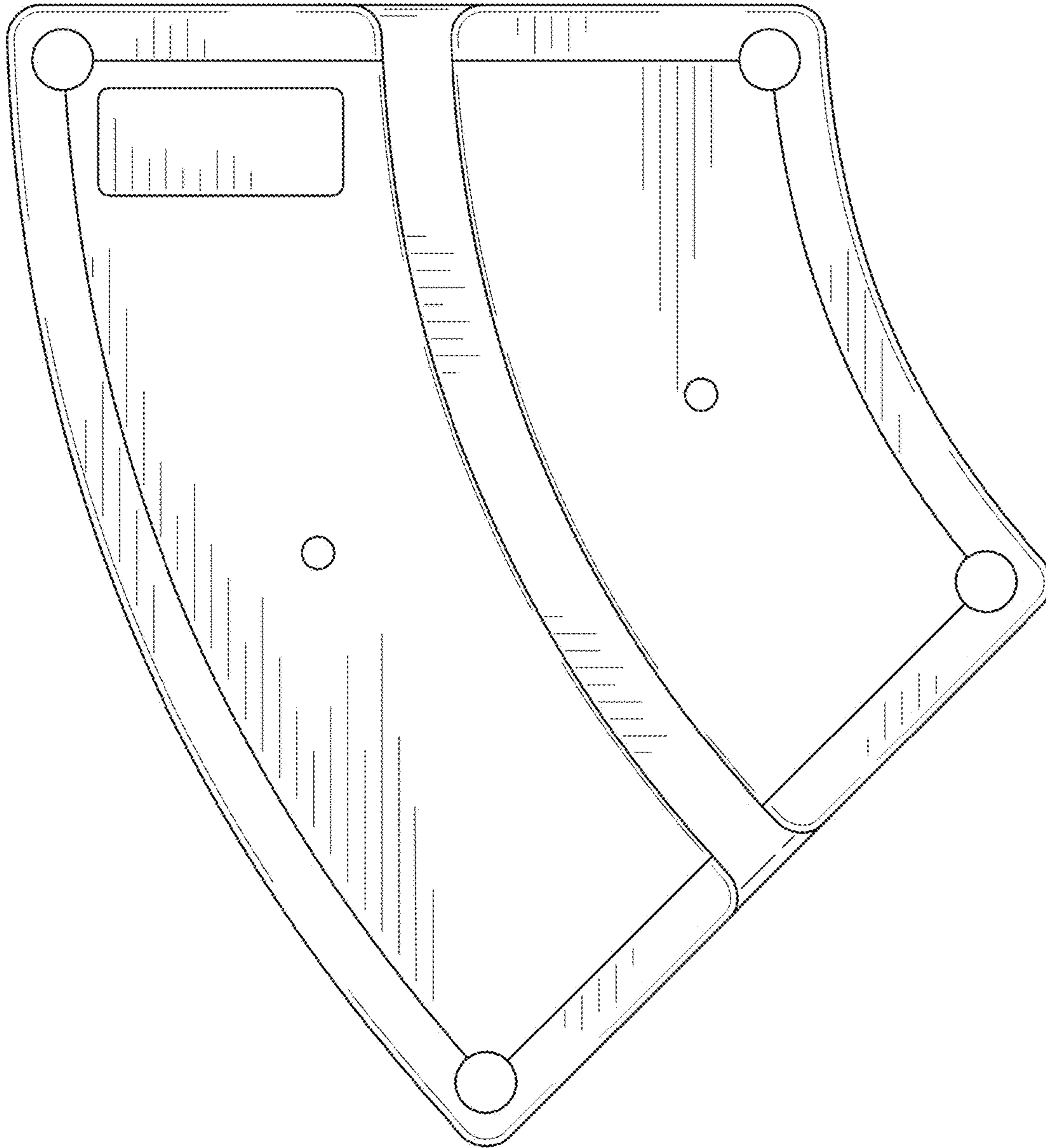


Fig. 34

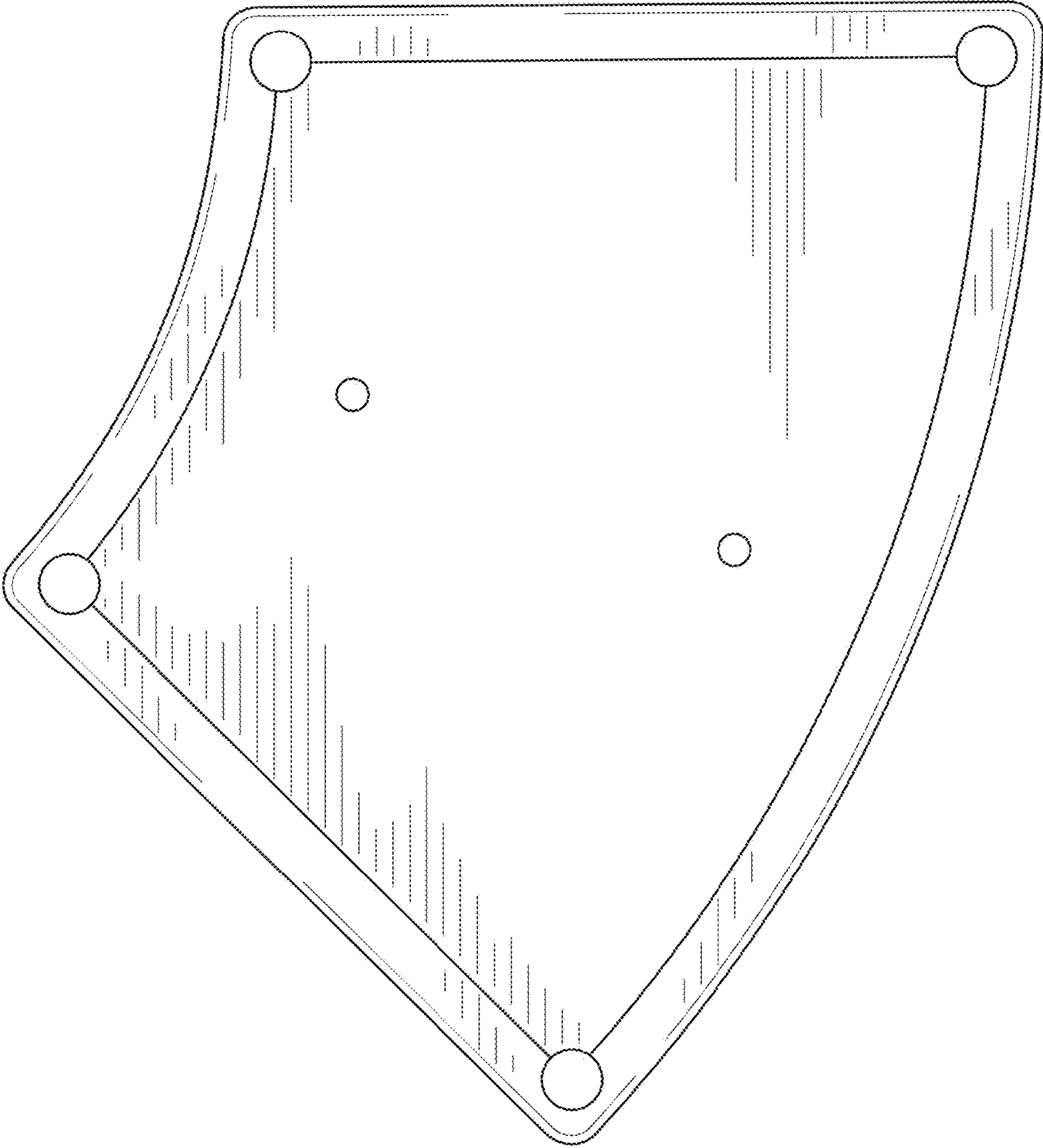


Fig. 35



Fig. 36



Fig. 37

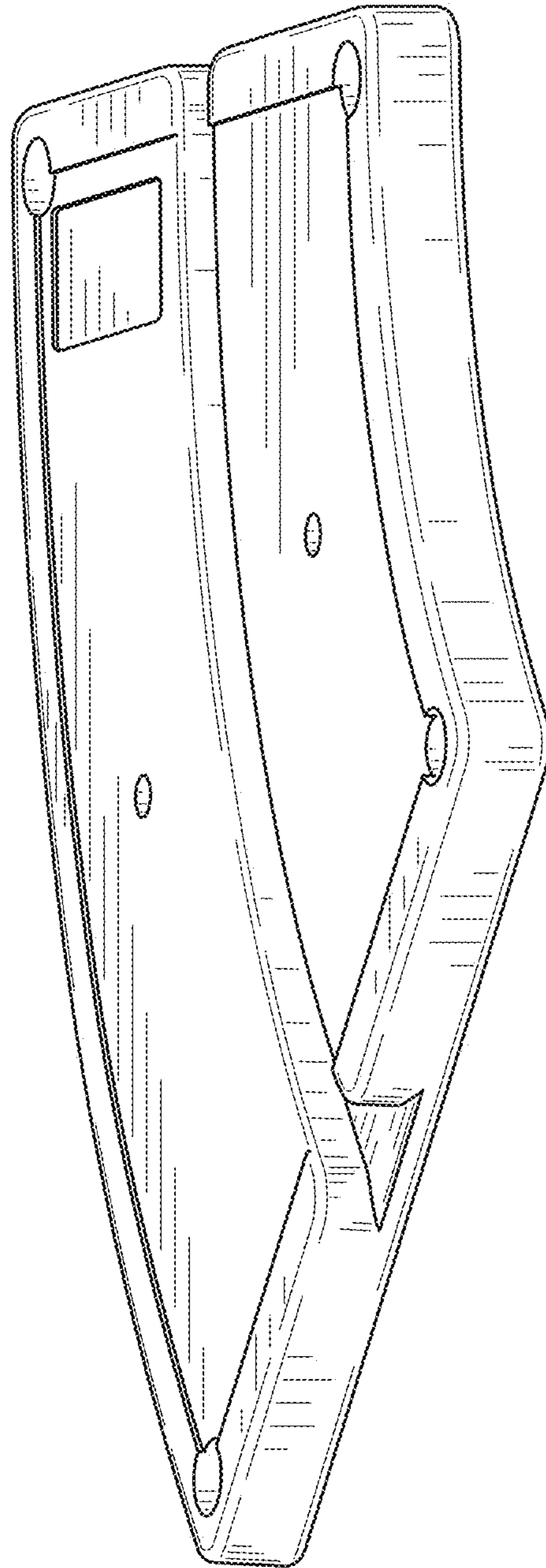


Fig. 38



Fig. 39

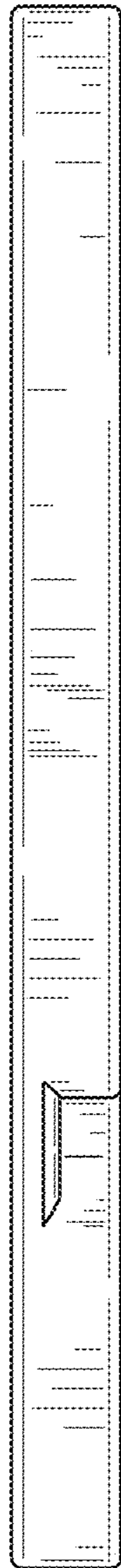


Fig. 40

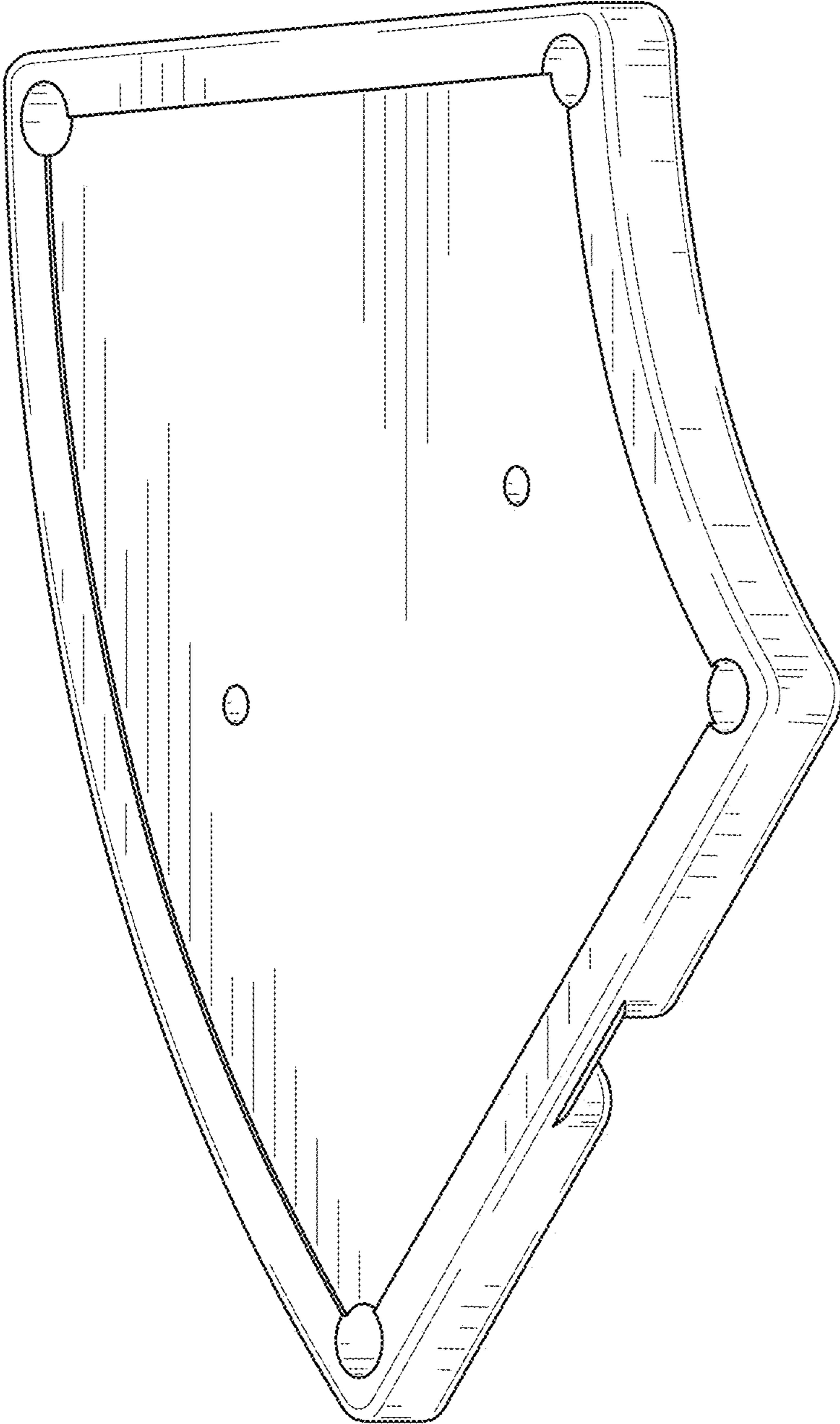


Fig. 41

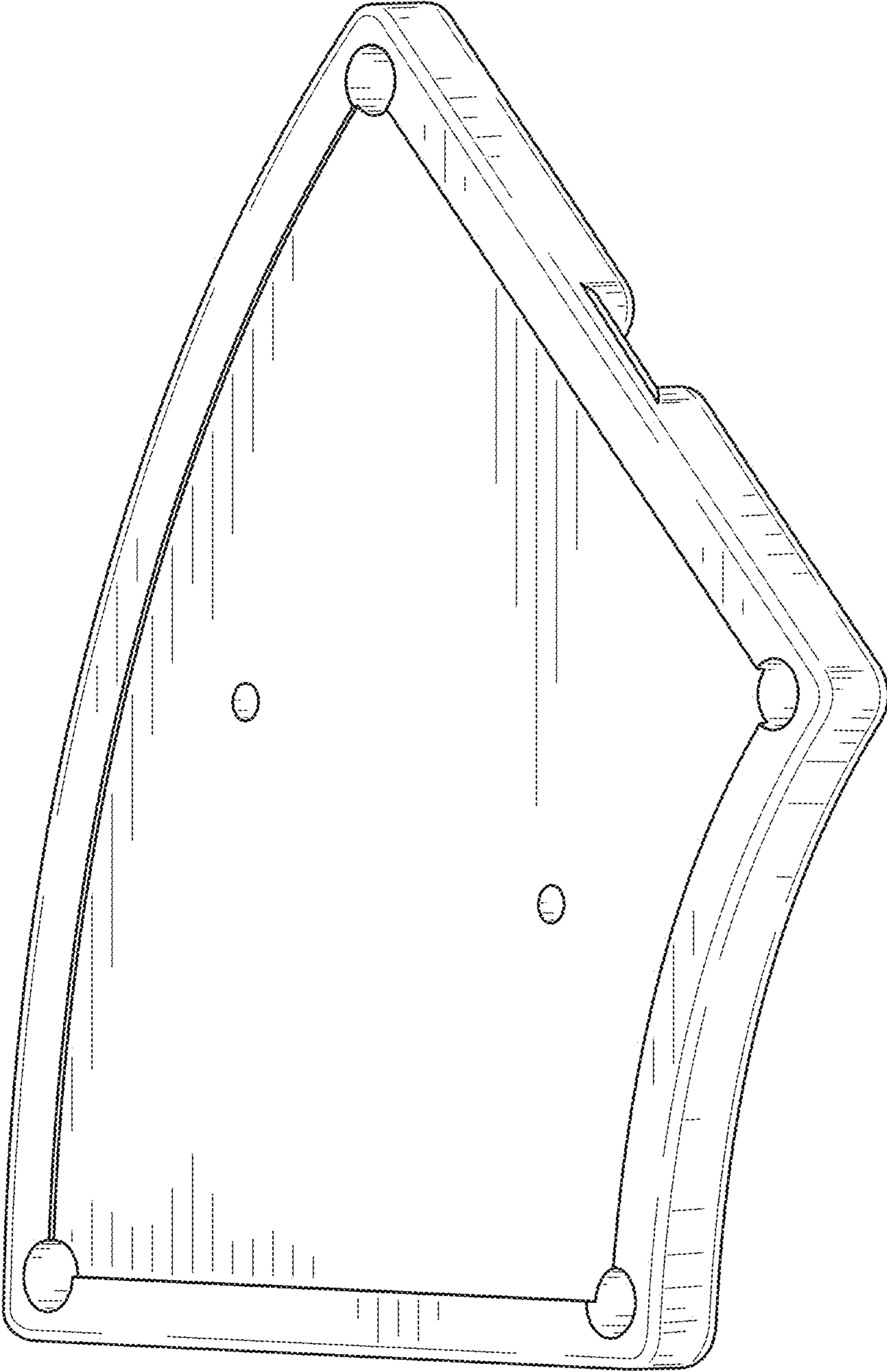


Fig. 42

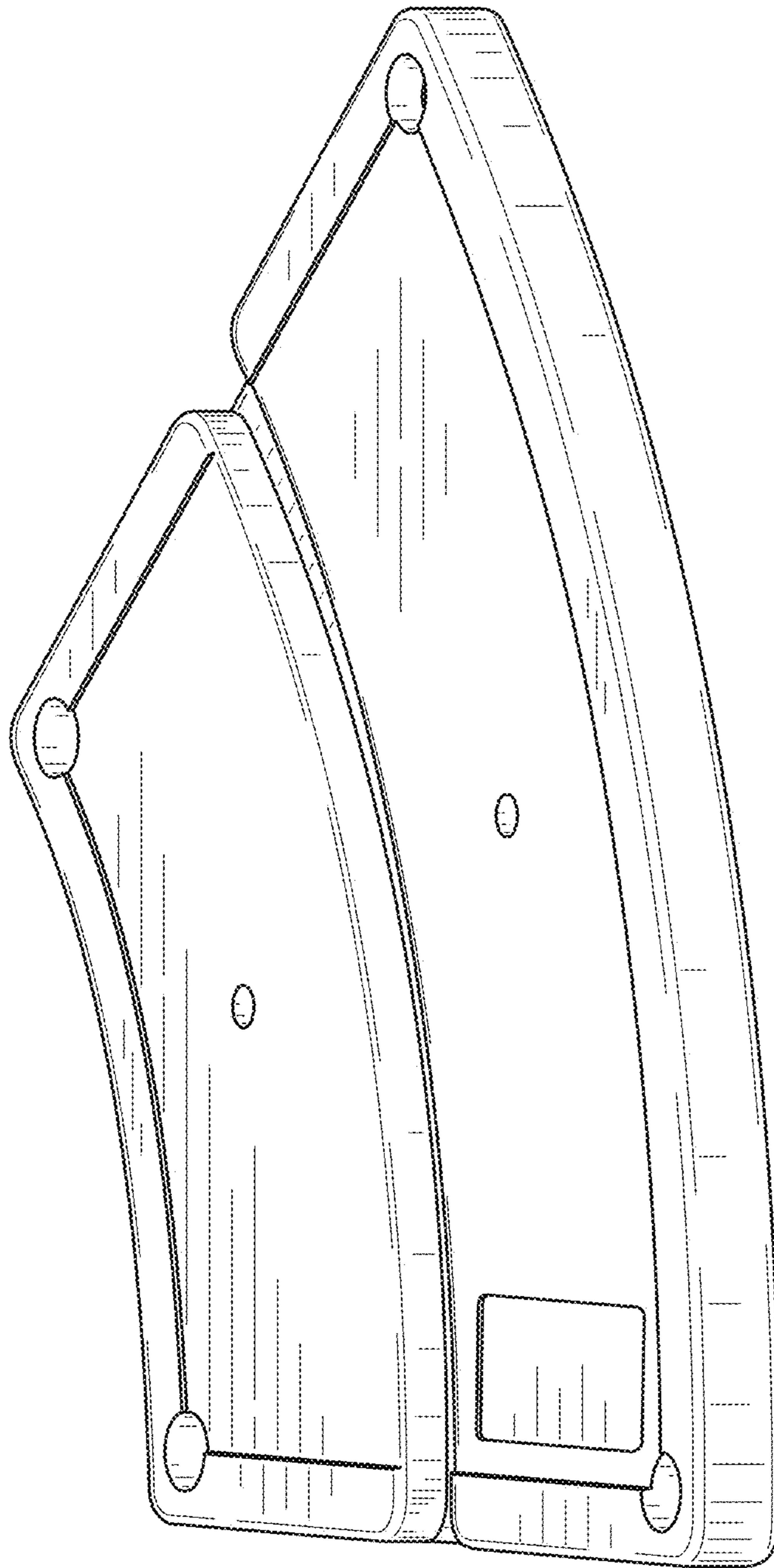


Fig. 43

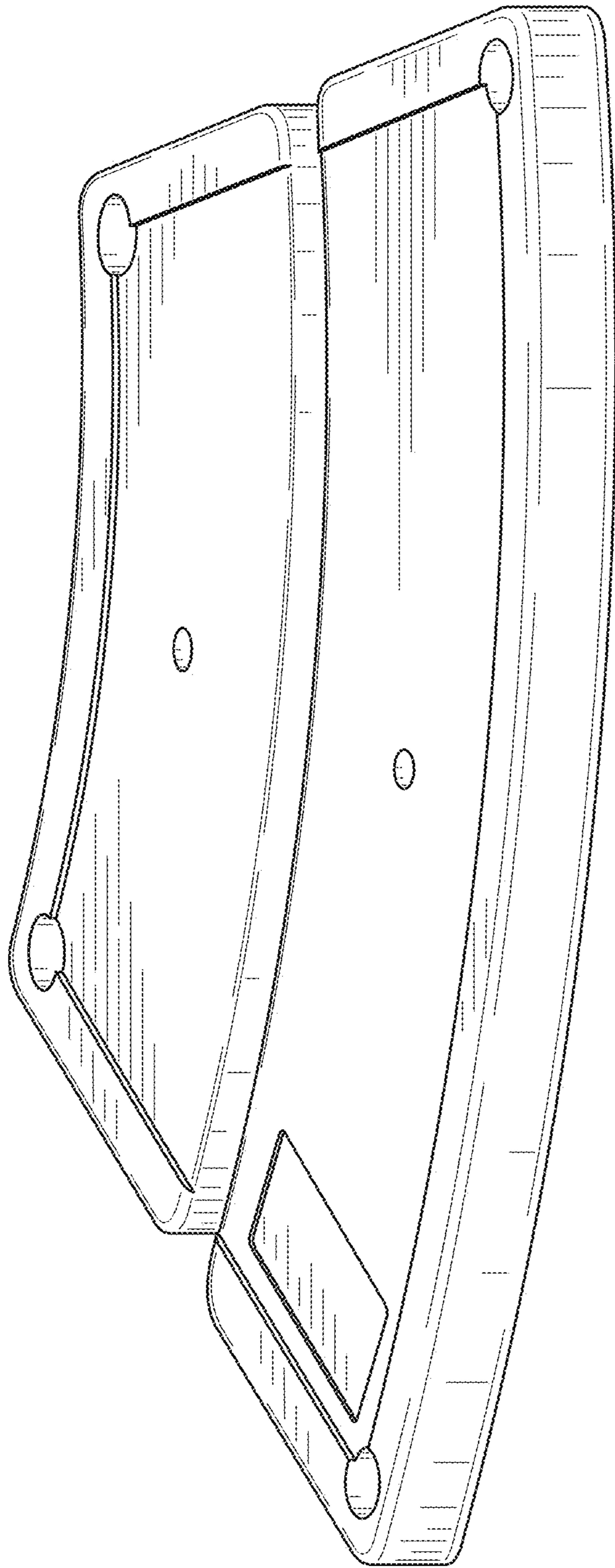


Fig. 44

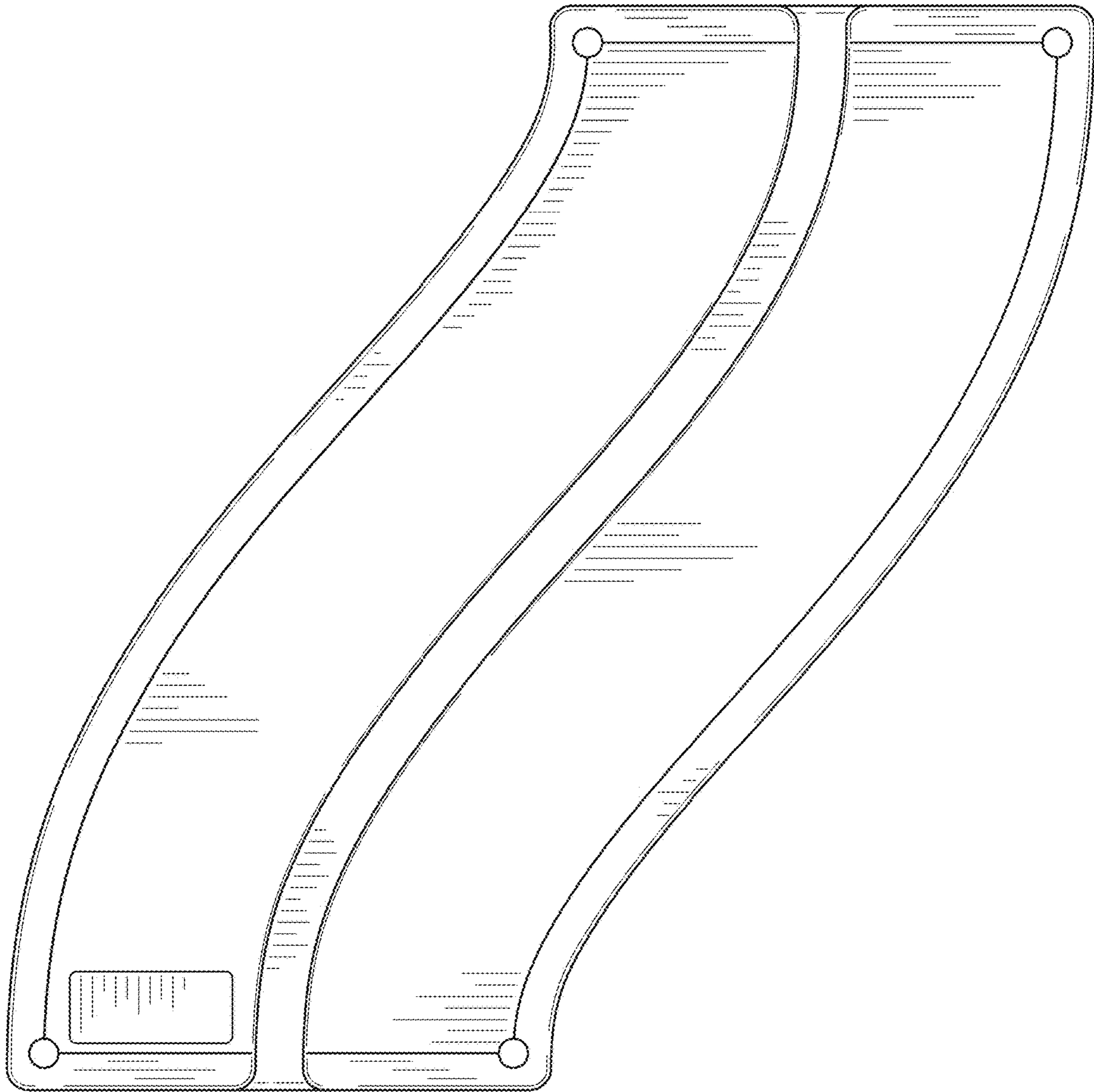


Fig. 45

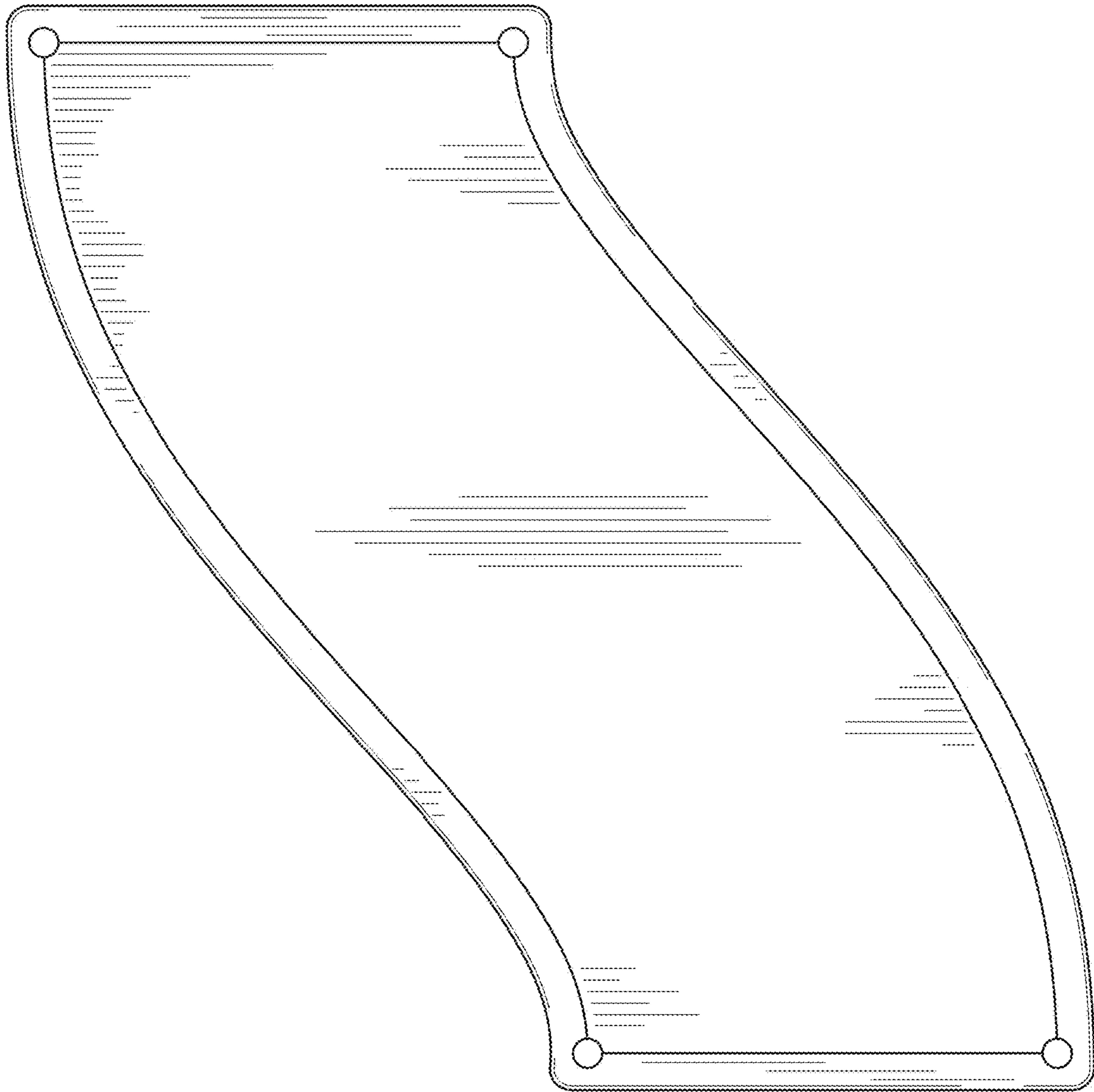


Fig. 46



Fig. 47

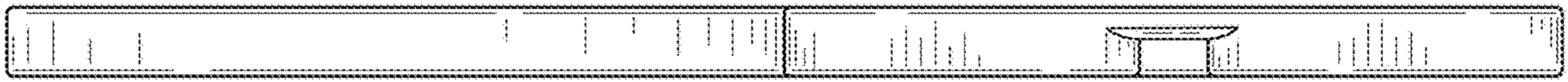


Fig. 48

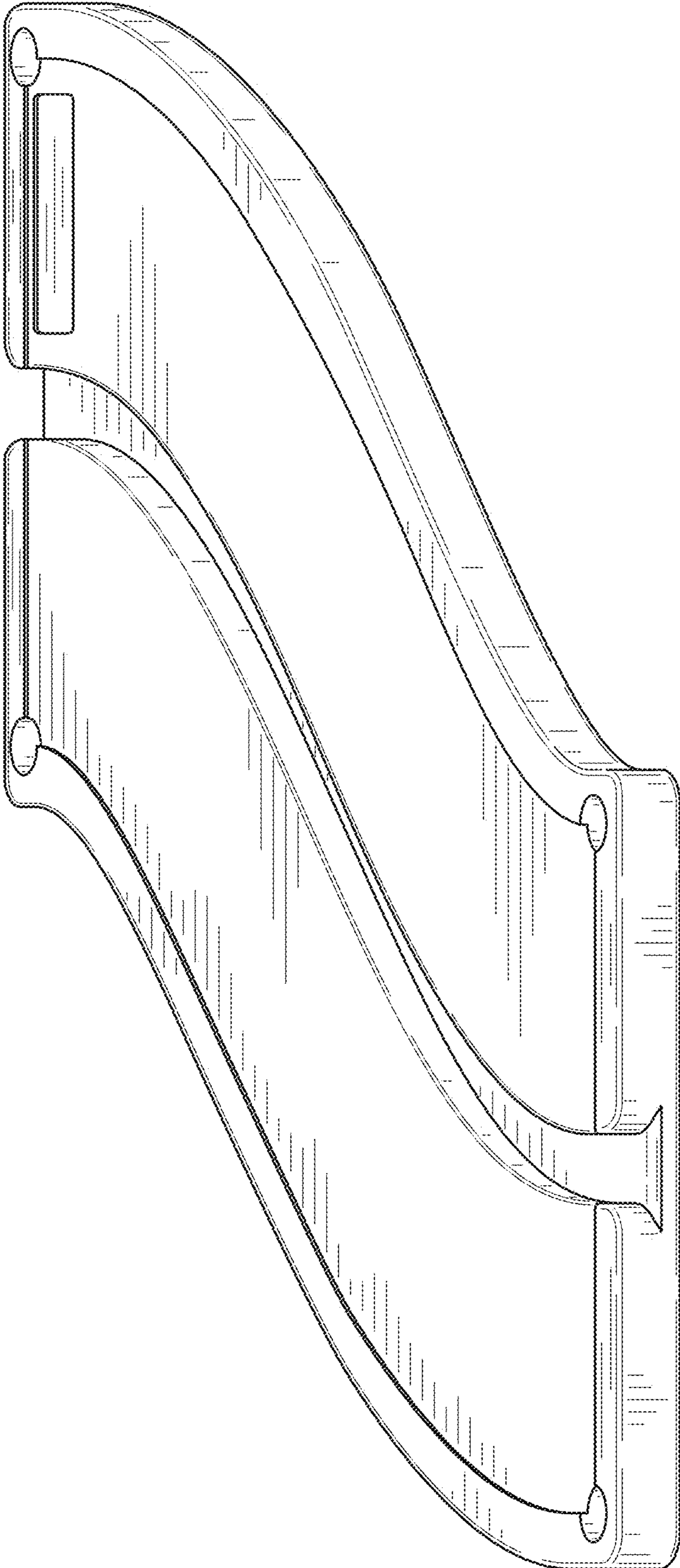


Fig. 49



Fig. 50

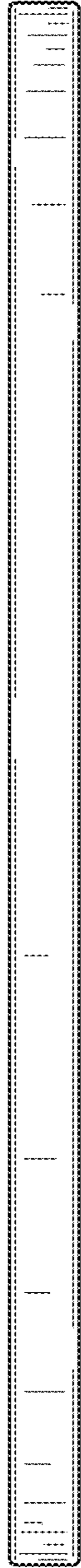


Fig. 51

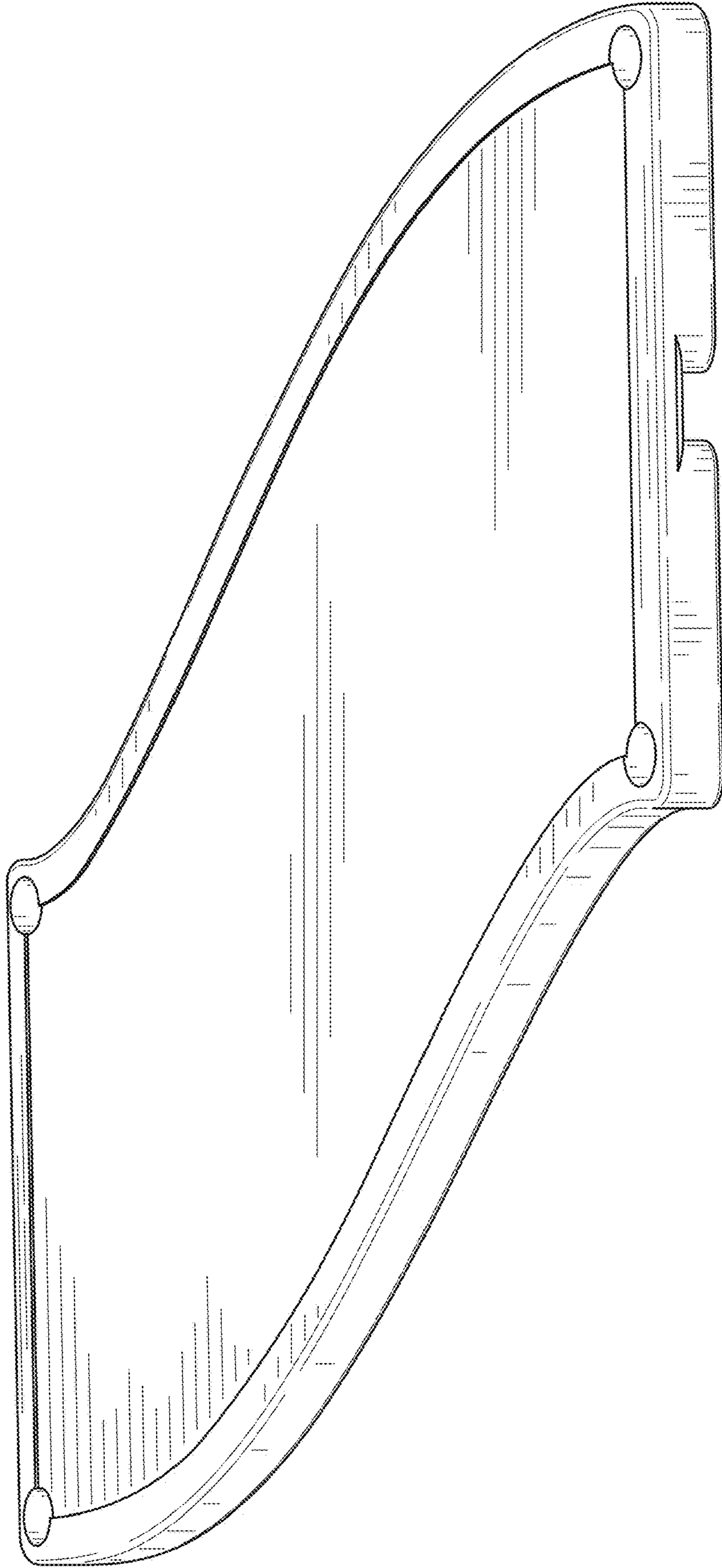


Fig. 52

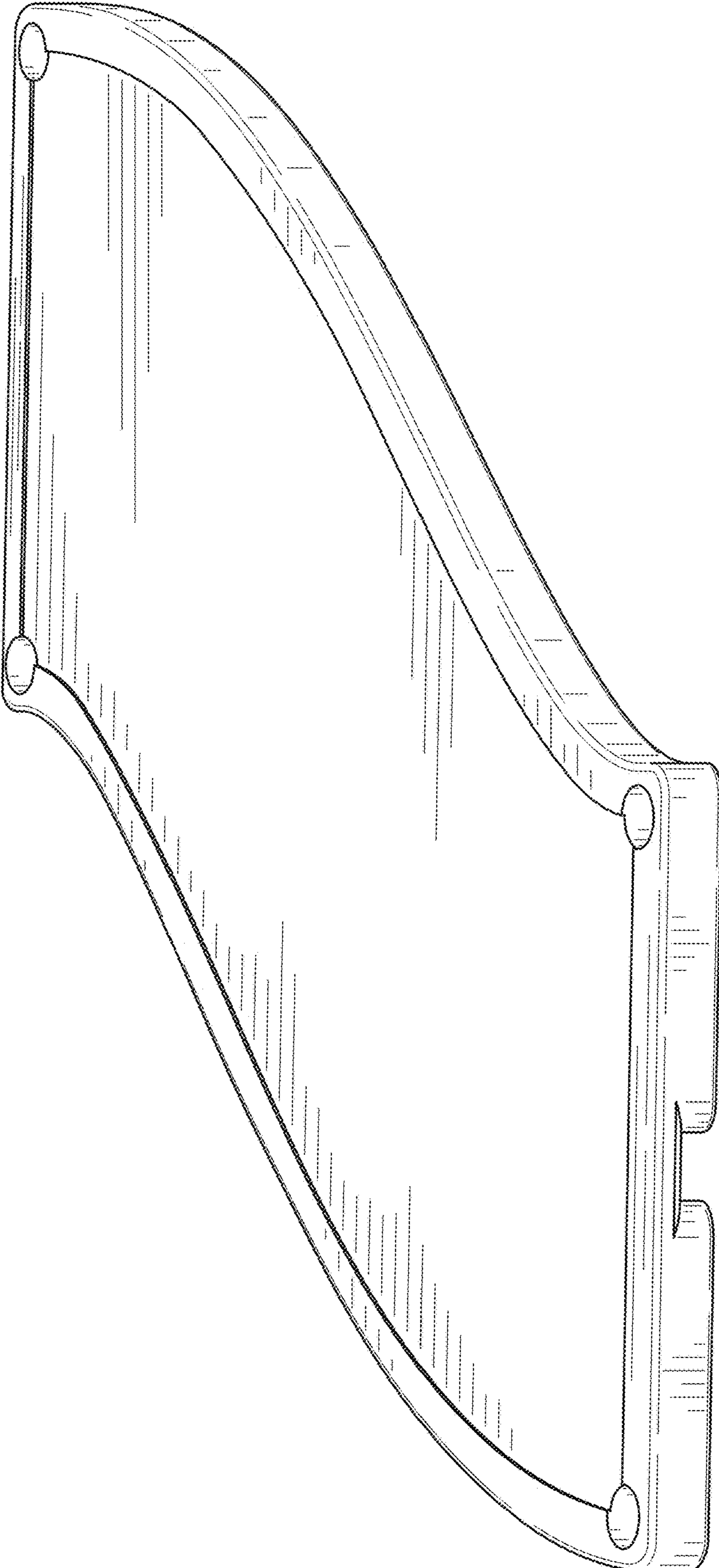


Fig. 53

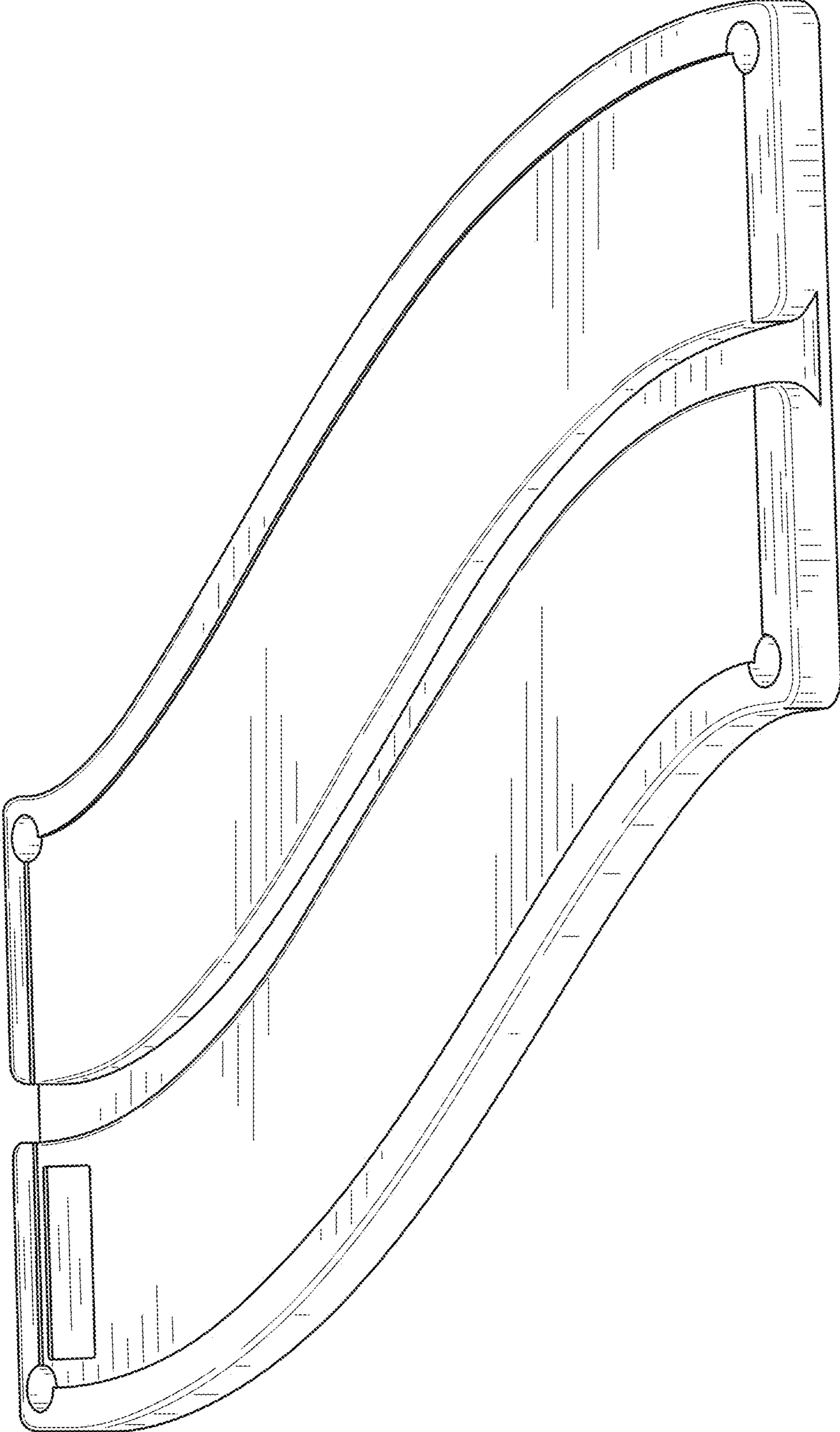


Fig. 54

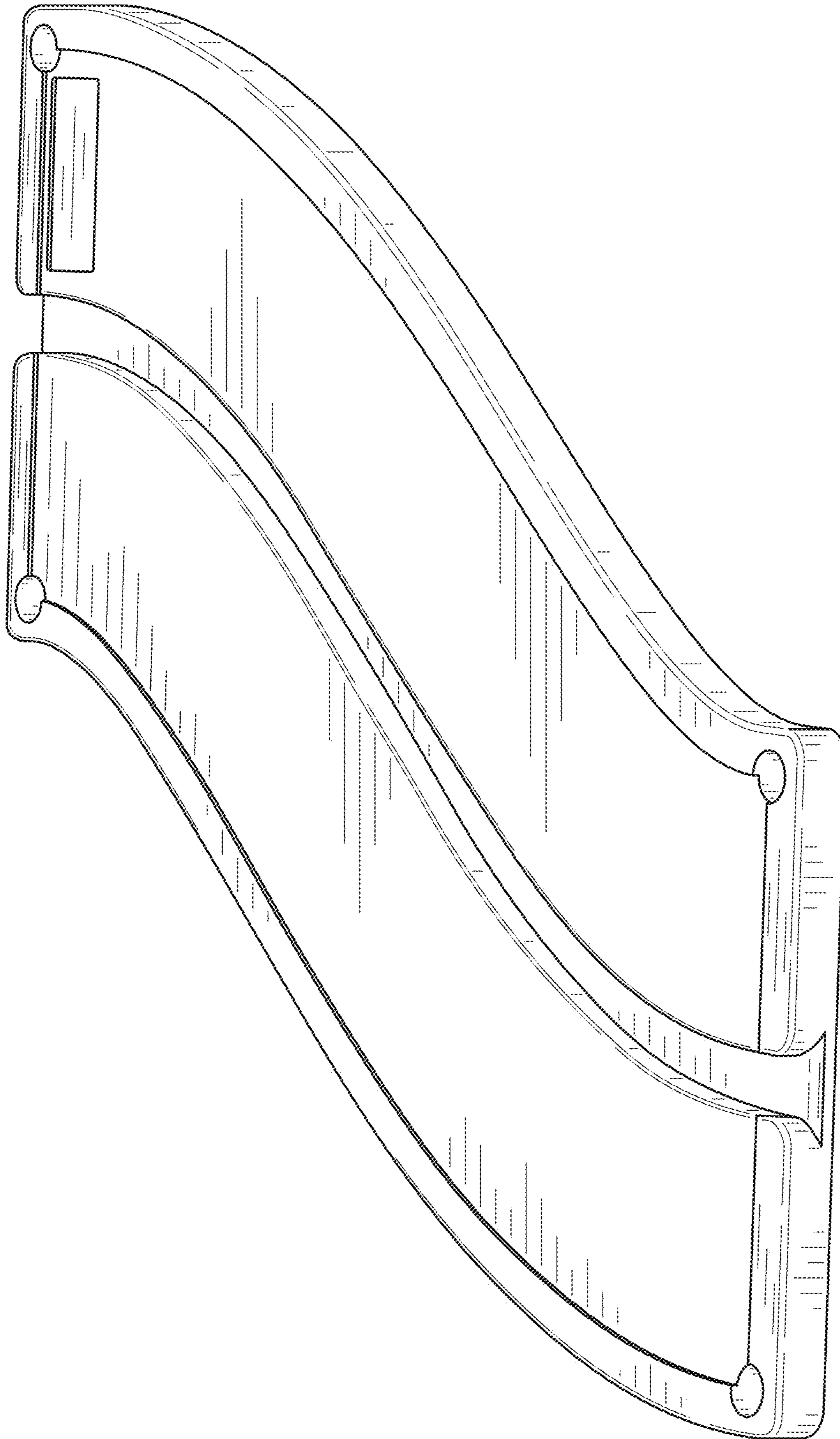


Fig. 55

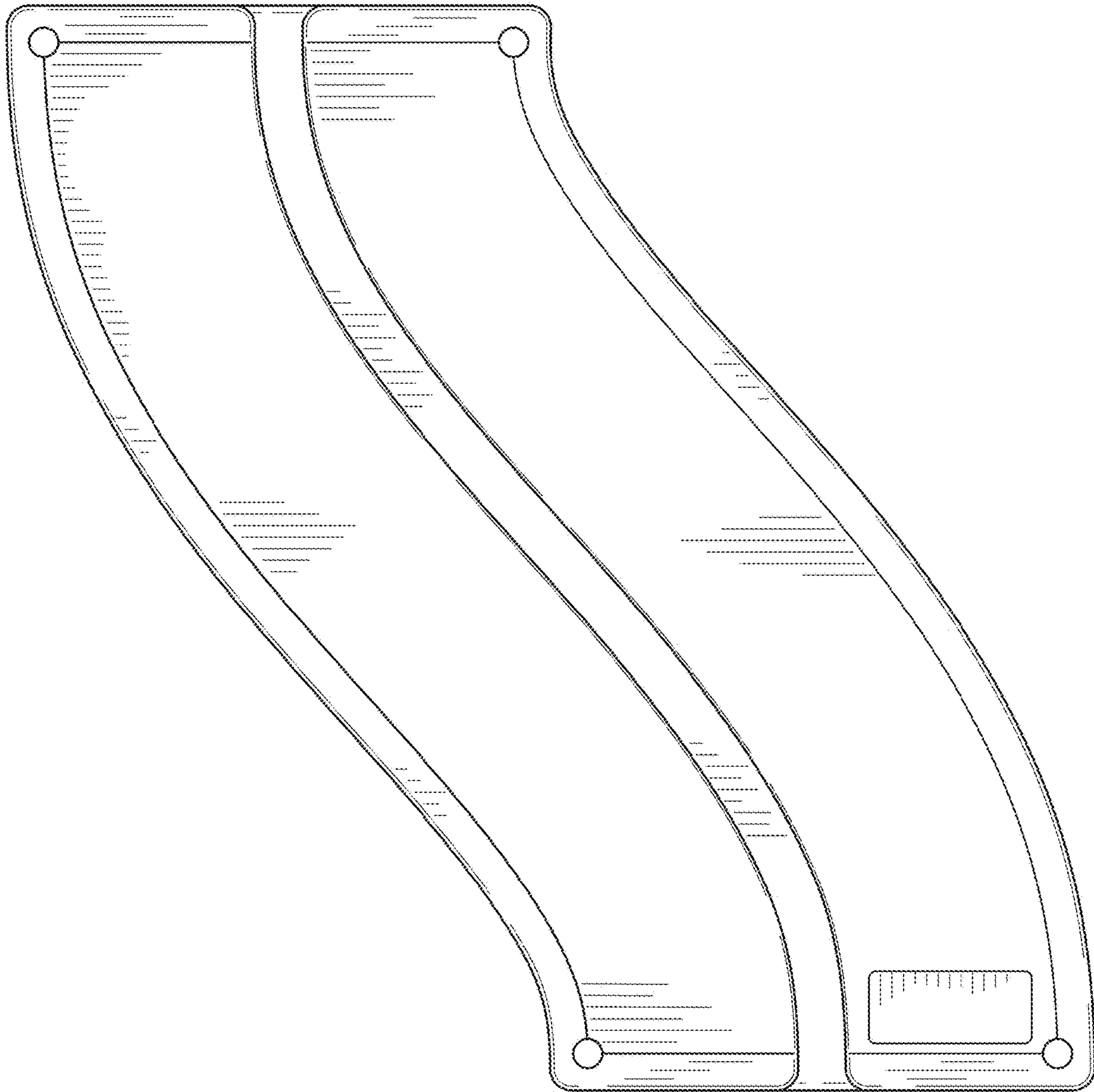


Fig. 56

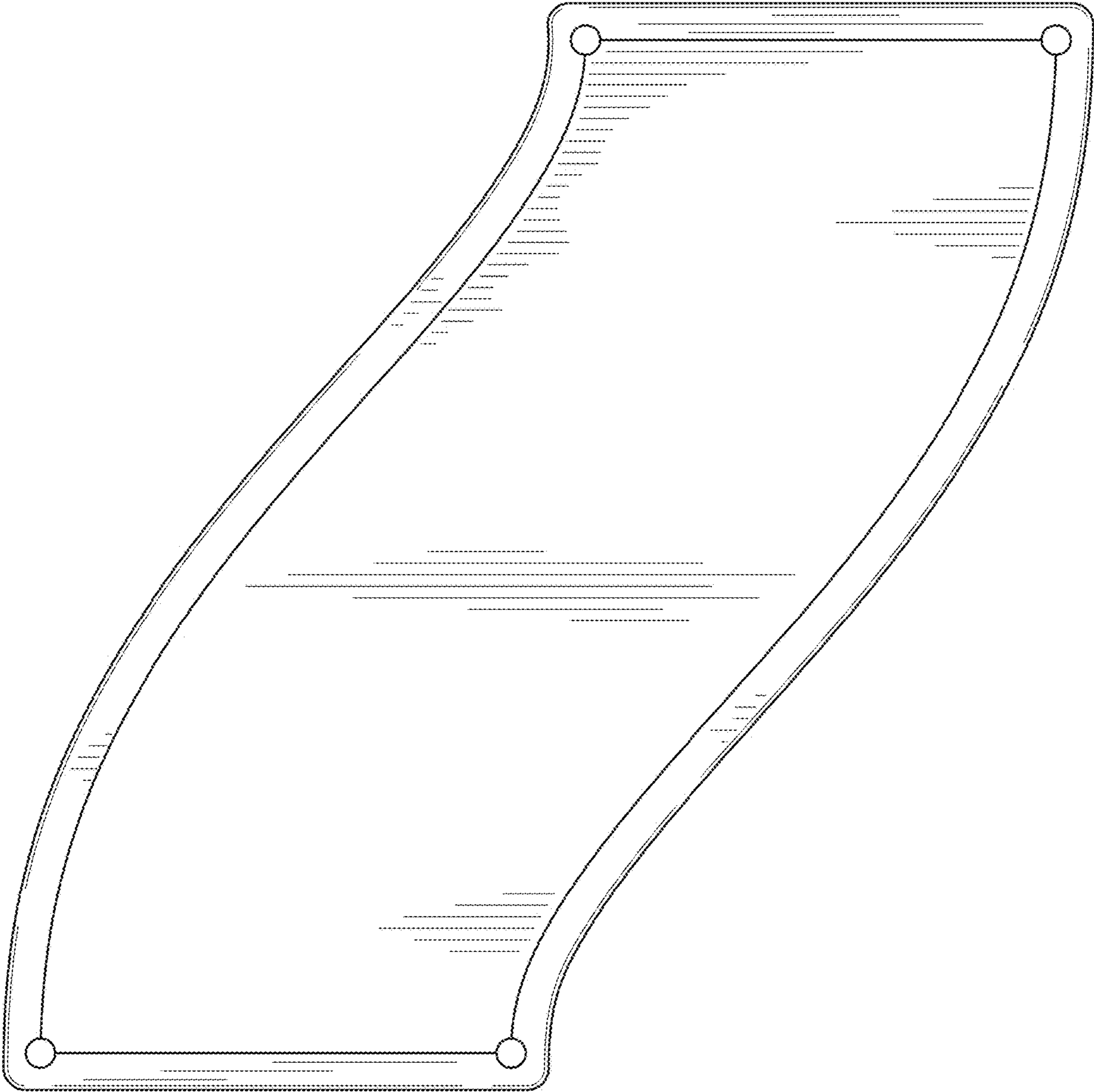


Fig. 57



Fig. 58



Fig. 59

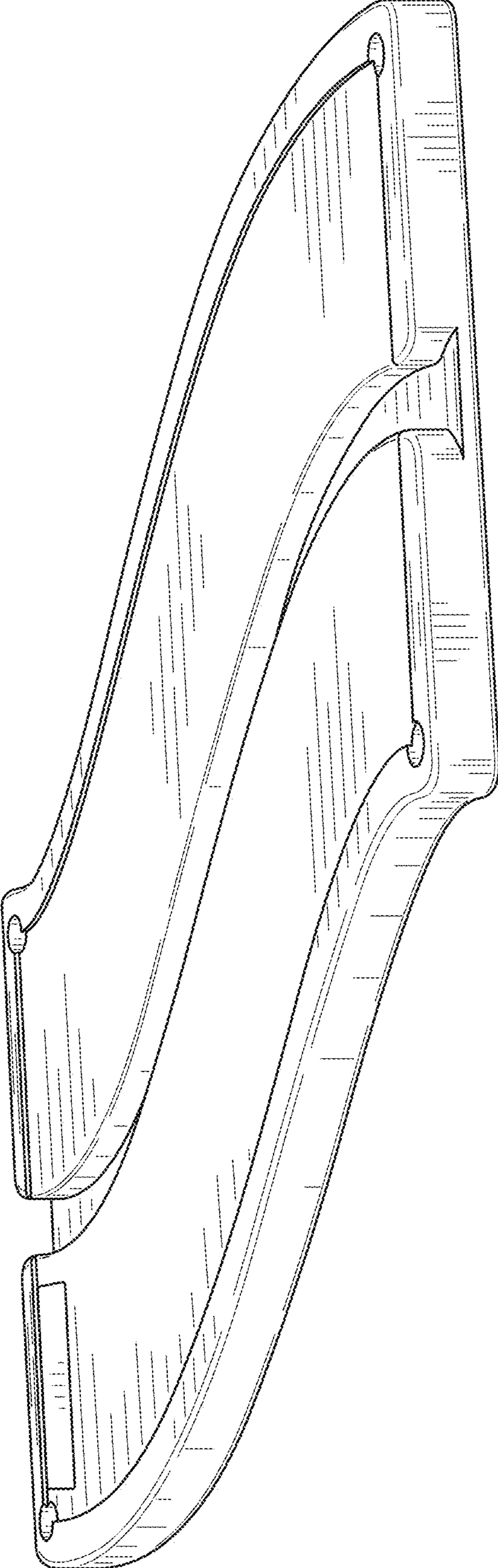


Fig. 60



Fig. 61



Fig. 62

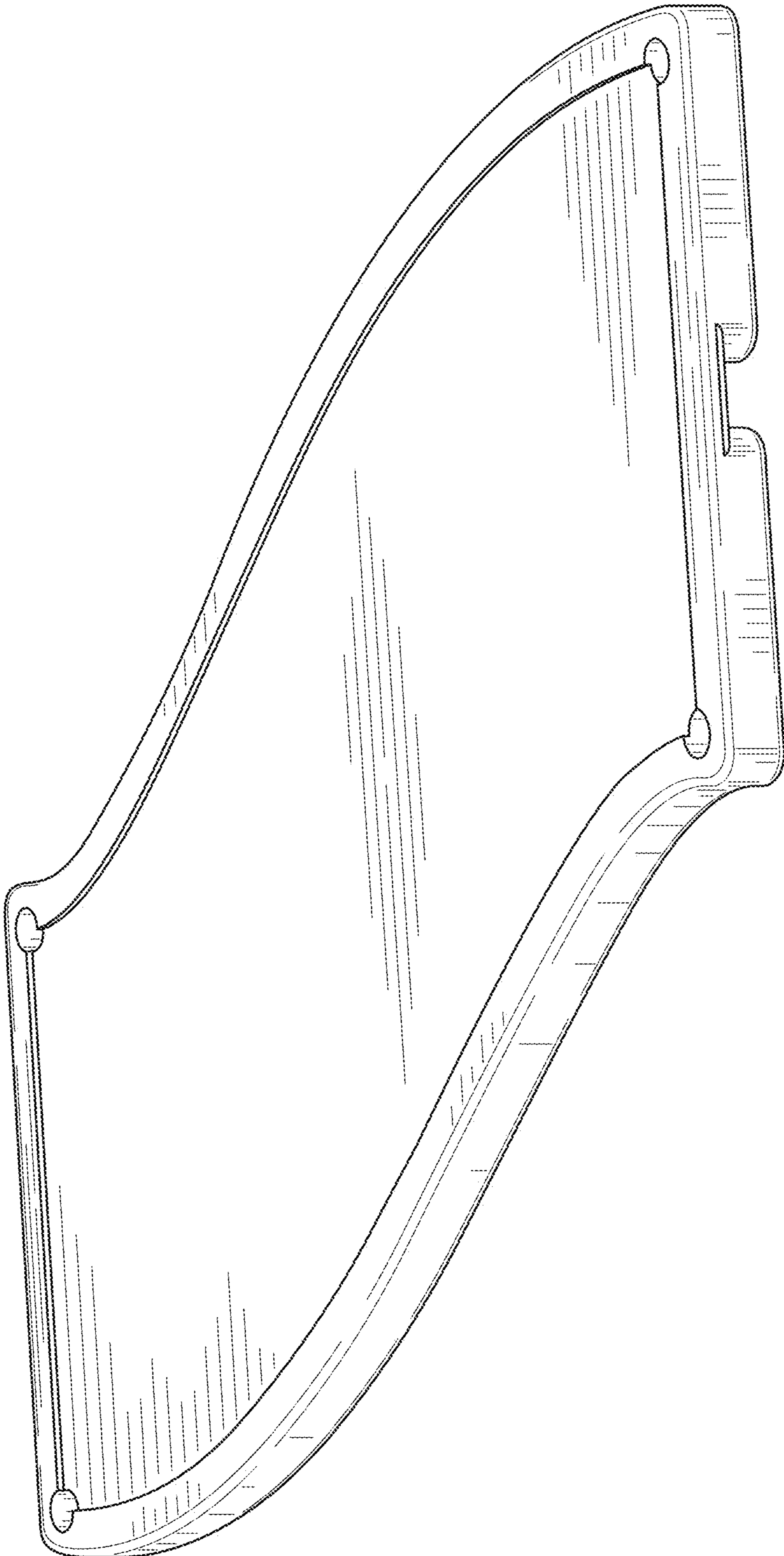


Fig. 63

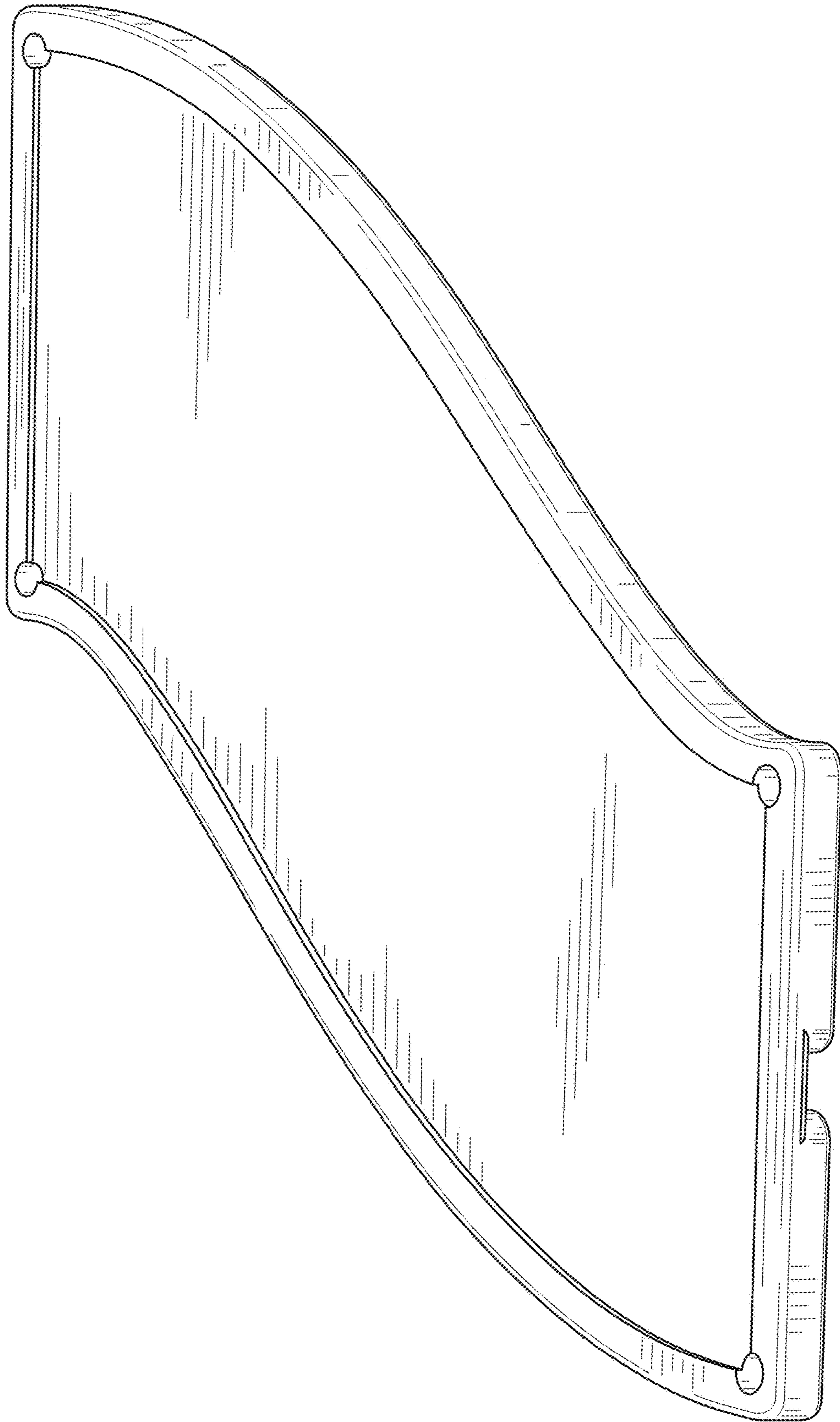


Fig. 64

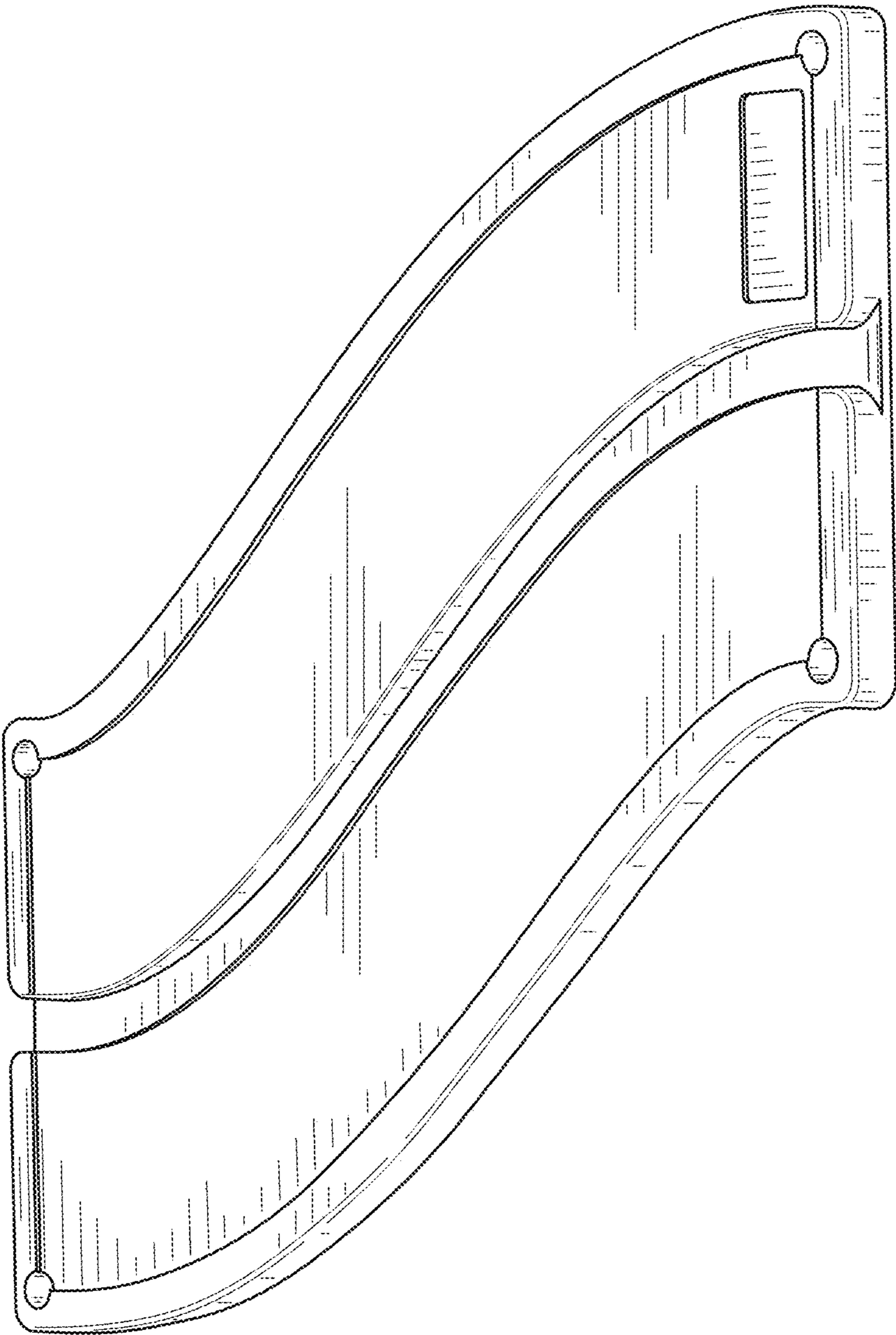


Fig. 65

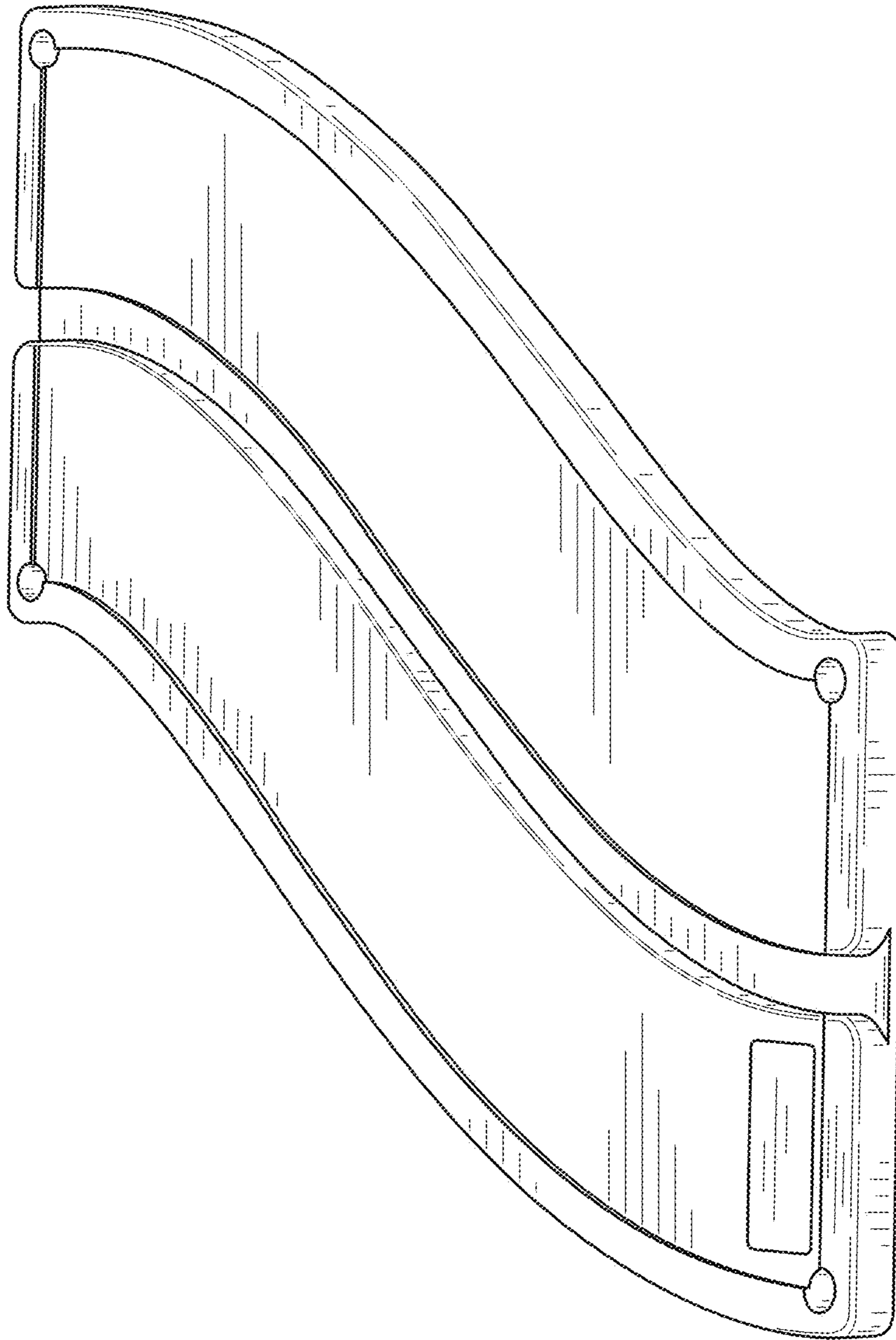


Fig. 66

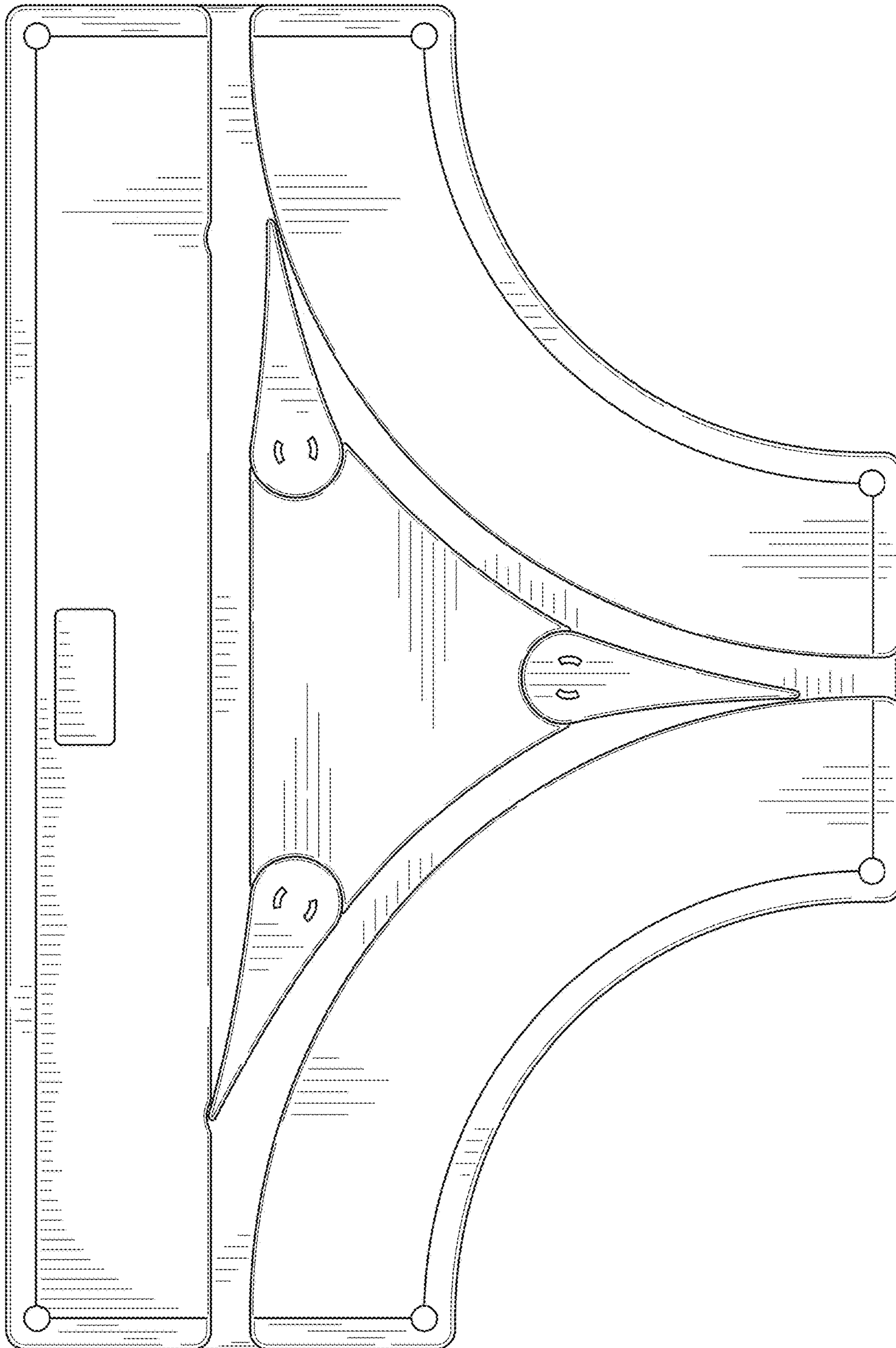


Fig. 67

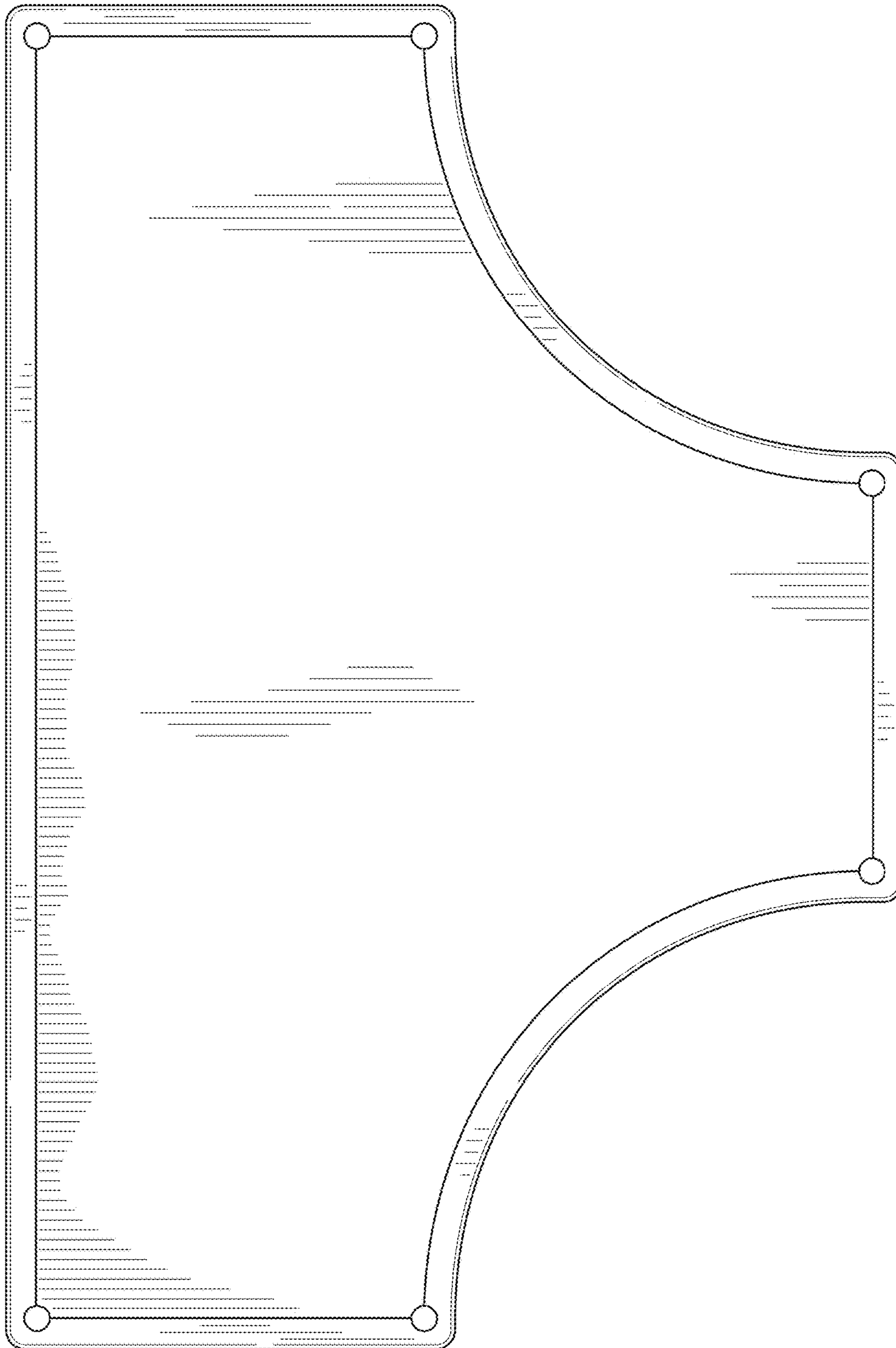


Fig. 68



Fig. 69



Fig. 70

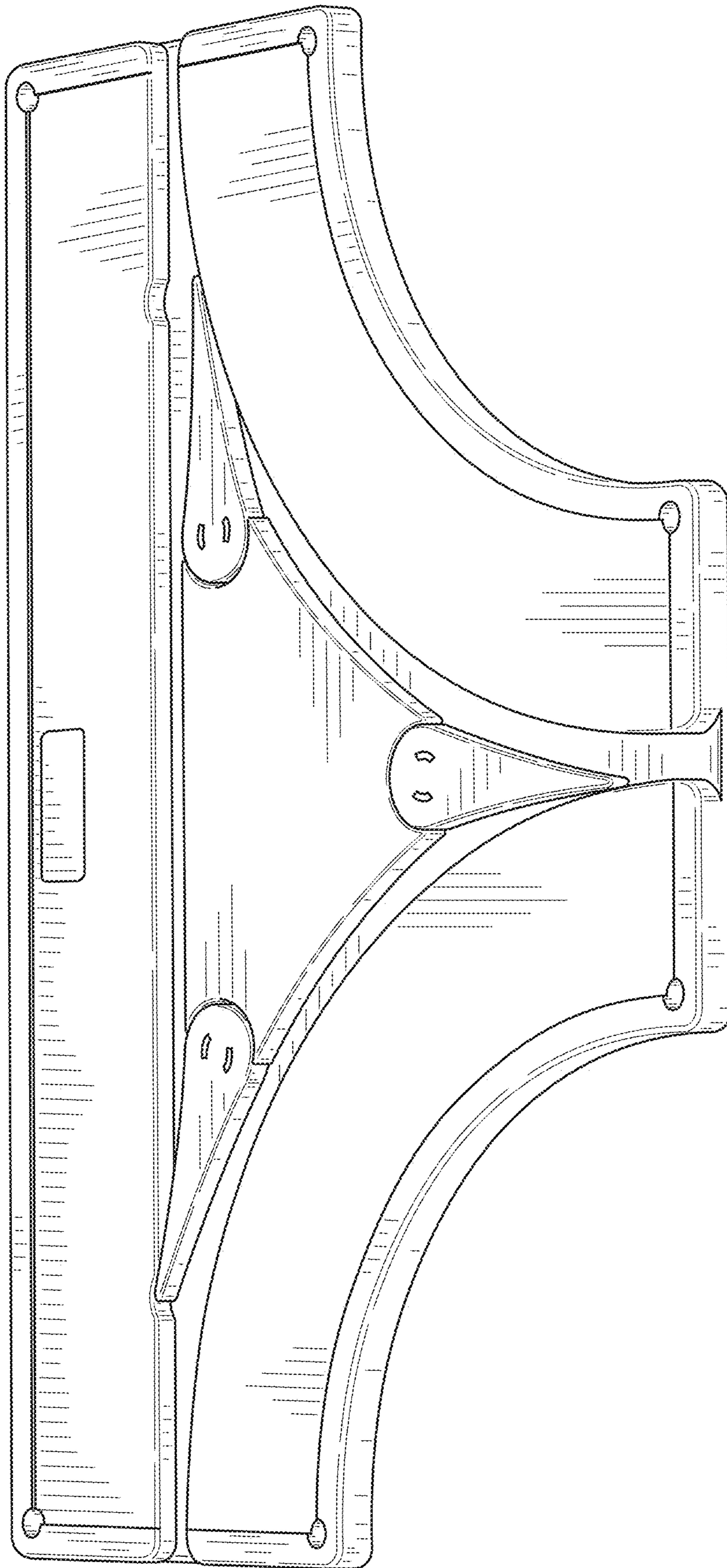


Fig. 71

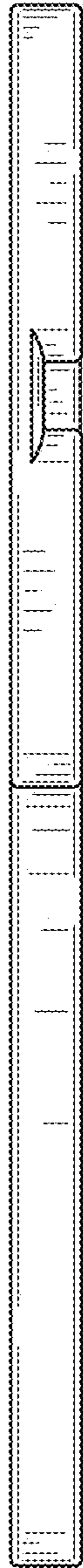


Fig. 72



Fig. 73

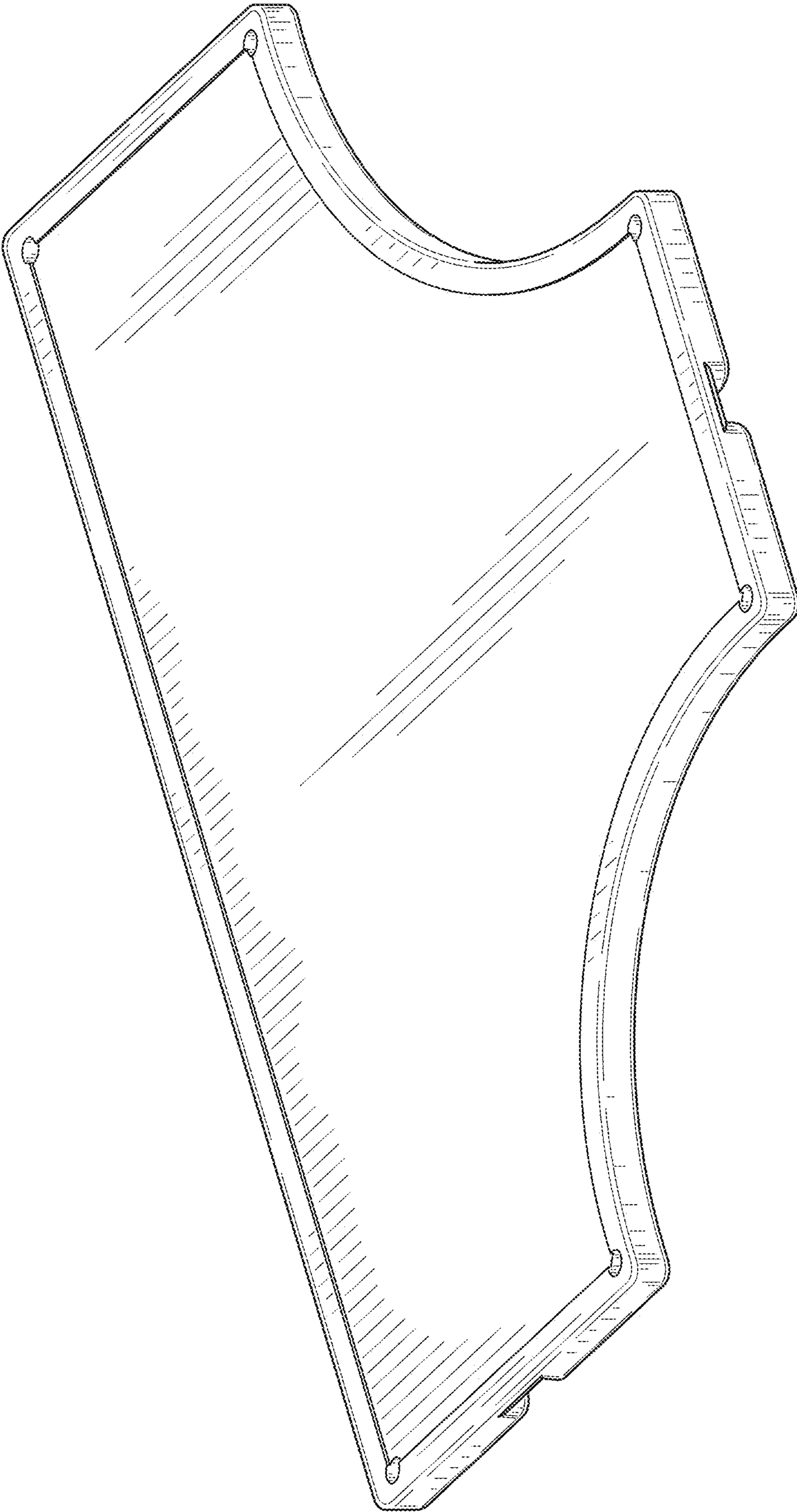


Fig. 74

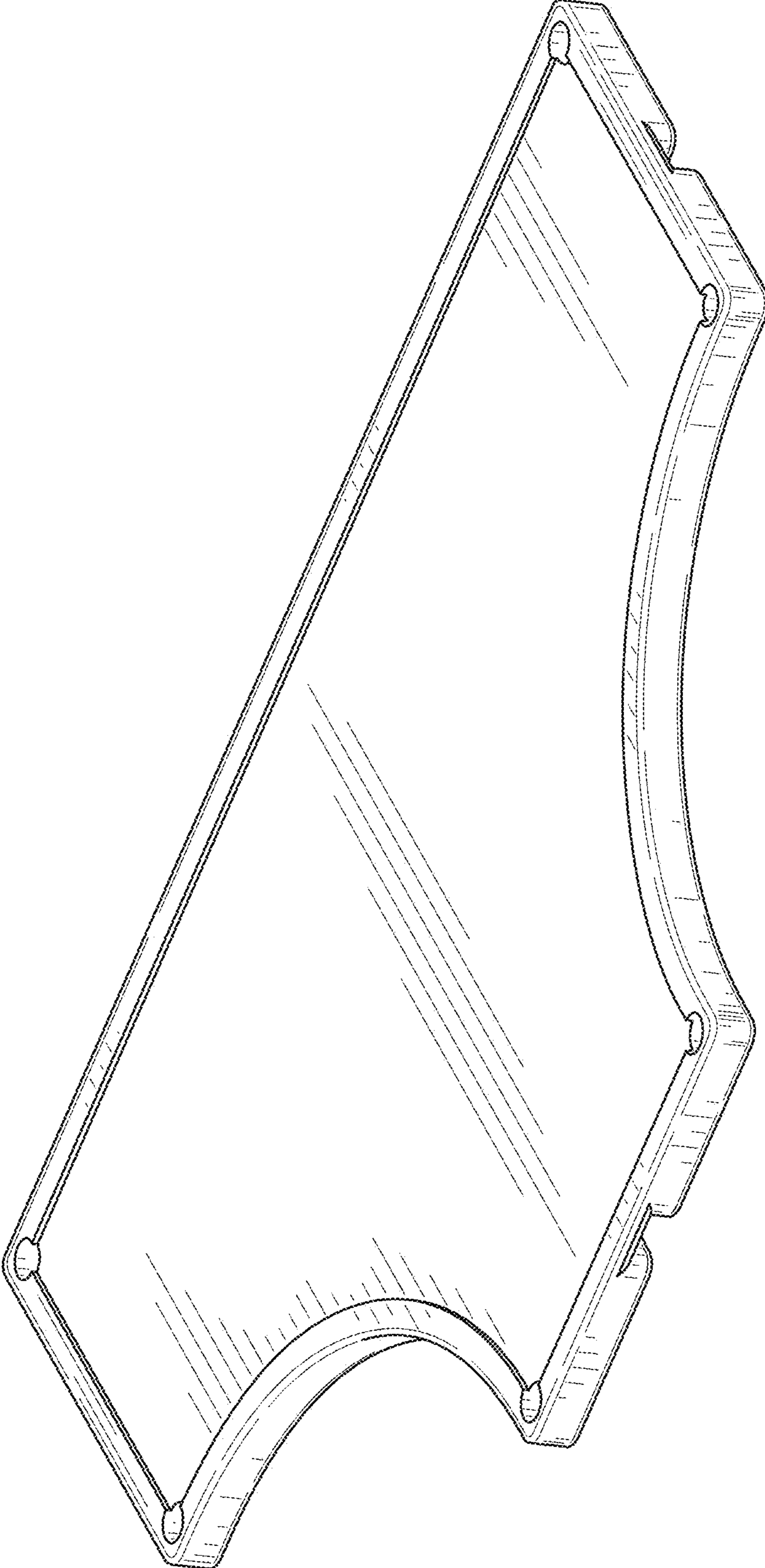


Fig. 75

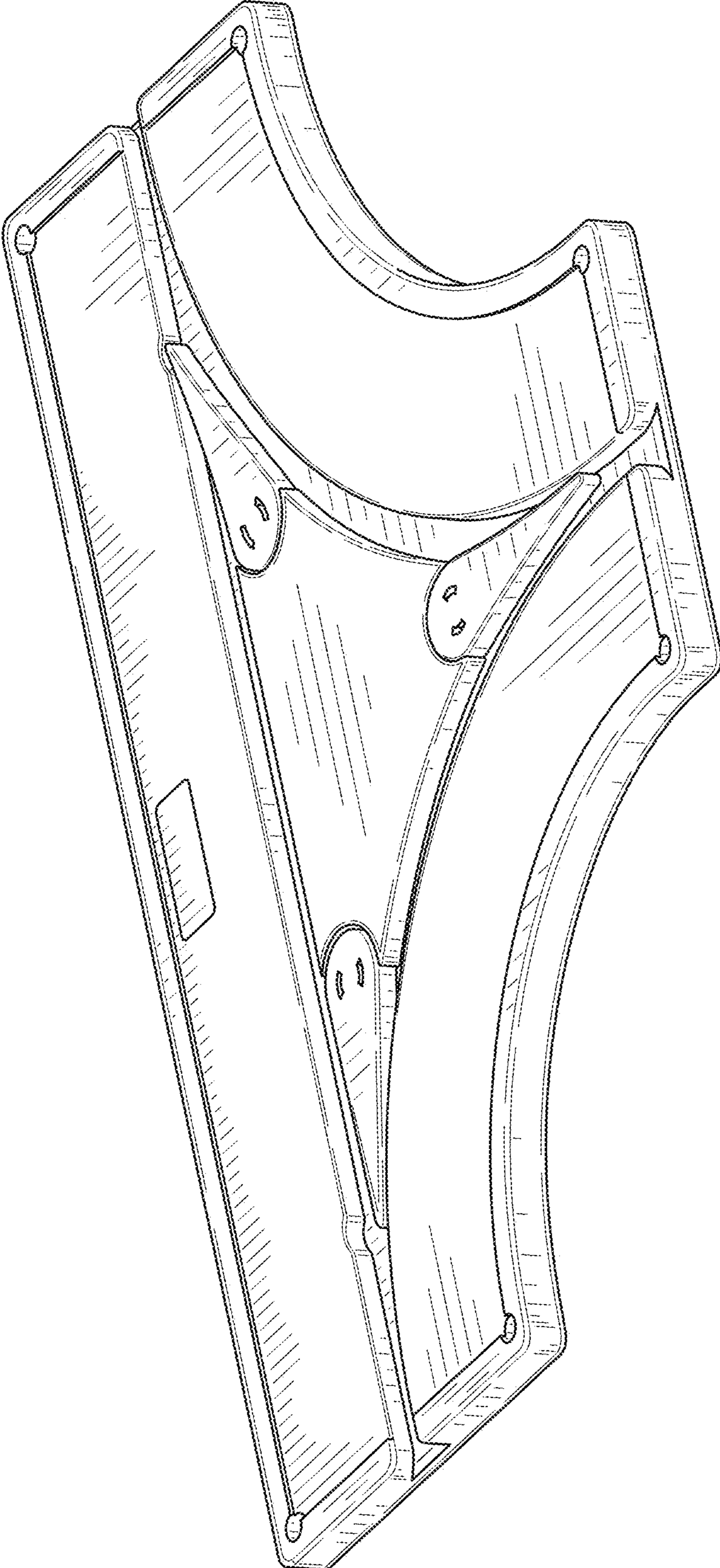


Fig. 76

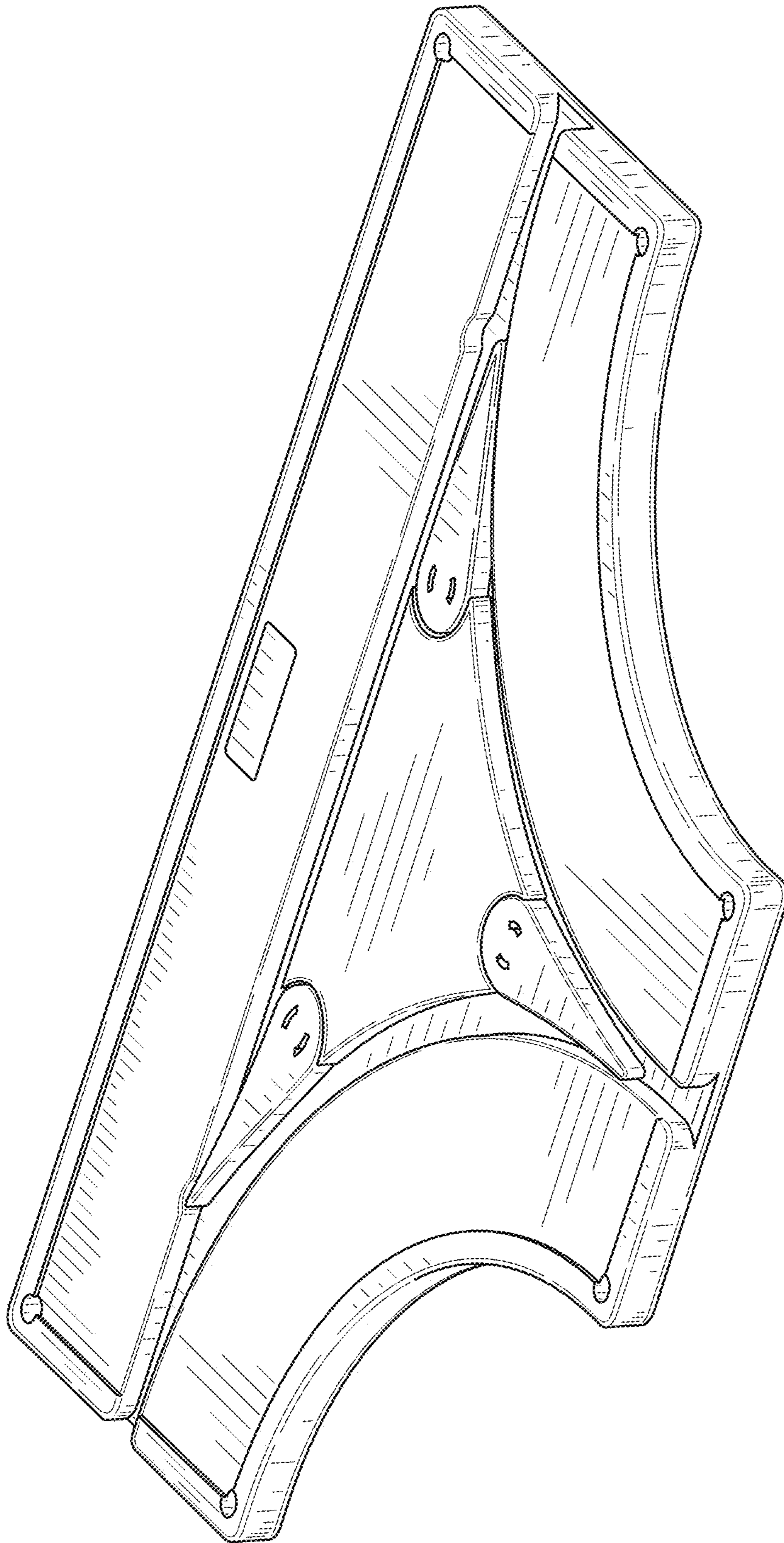


Fig. 77