



US00D915526S

(12) **United States Design Patent** (10) **Patent No.:** **US D915,526 S**
Bailey et al. (45) **Date of Patent:** **** Apr. 6, 2021**

(54) **MULTI-PURPOSE PUZZLE TABLE**

(71) Applicants: **Deidrea Bailey**, Canton, OH (US);
Randal C. Bailey, Canton, OH (US)

(72) Inventors: **Deidrea Bailey**, Canton, OH (US);
Randal C. Bailey, Canton, OH (US)

(**) Term: **15 Years**

(21) Appl. No.: **29/693,278**

(22) Filed: **May 31, 2019**

Related U.S. Application Data

(63) Continuation of application No. 29/686,979, filed on Apr. 9, 2019.

(51) **LOC (13) Cl.** **21-01**

(52) **U.S. Cl.**
USPC **D21/478**; D21/397; D6/663; D6/691.9

(58) **Field of Classification Search**
USPC D6/657, 663, 667, 684, 685, 691,
D6/691.1-691.9; D21/397, 478, 480,
D21/483, 522; D3/298
CPC .. A47B 1/00; A47B 3/003; A47B 7/00; A47B
13/00; A47B 13/02; A47B 13/04; A47B
13/006; A47B 13/008; A47B 13/081;
A47B 13/10; A47B 13/12; A47B 21/00;
A47B 23/06; A47B 25/00; A47B 46/00;
A47B 81/00; A47B 85/00; A47B 85/02;
A47B 2200/0001; A47B 2200/0011;
A47B 2200/002; A63F 3/00895; A63F
2003/00981; A63F 9/1044

See application file for complete search history.

(56) **References Cited**

U.S. PATENT DOCUMENTS

1,754,130 A * 4/1930 Uchiyama A63F 3/0023
273/285
3,792,668 A * 2/1974 Ward A47B 1/00
108/69
3,884,476 A * 5/1975 Sanders A63F 9/1044
273/157 R
4,484,745 A * 11/1984 Sleeper A63F 9/1044
273/157 R

(Continued)

OTHER PUBLICATIONS

Custom Slidding Top Jig Saw Puzzle Table—Etsy https://www.etsy.com/listing/770350828/custom-sliding-top-jig-saw-puzzle-table?ref=sold_out-2&frs=1 retrieved from the internet on Jan. 14, 2021.*

(Continued)

Primary Examiner — Mary Ann Calabrese

(57) **CLAIM**

The ornamental design for a multi-purpose puzzle table, as shown and described.

DESCRIPTION

FIG. 1 is a front elevation view of a multi-purpose puzzle table in accordance with our design with a rear elevation view being a mirror image thereof.

FIG. 2 is a left side elevation view of a multi-purpose puzzle table in accordance with our design with a right side elevation view being a mirror image thereof.

FIG. 3 is a top plan view of a multi-purpose puzzle table in accordance with our design.

FIG. 4 is a left front perspective view of a multi-purpose puzzle table in accordance with our design.

(Continued)

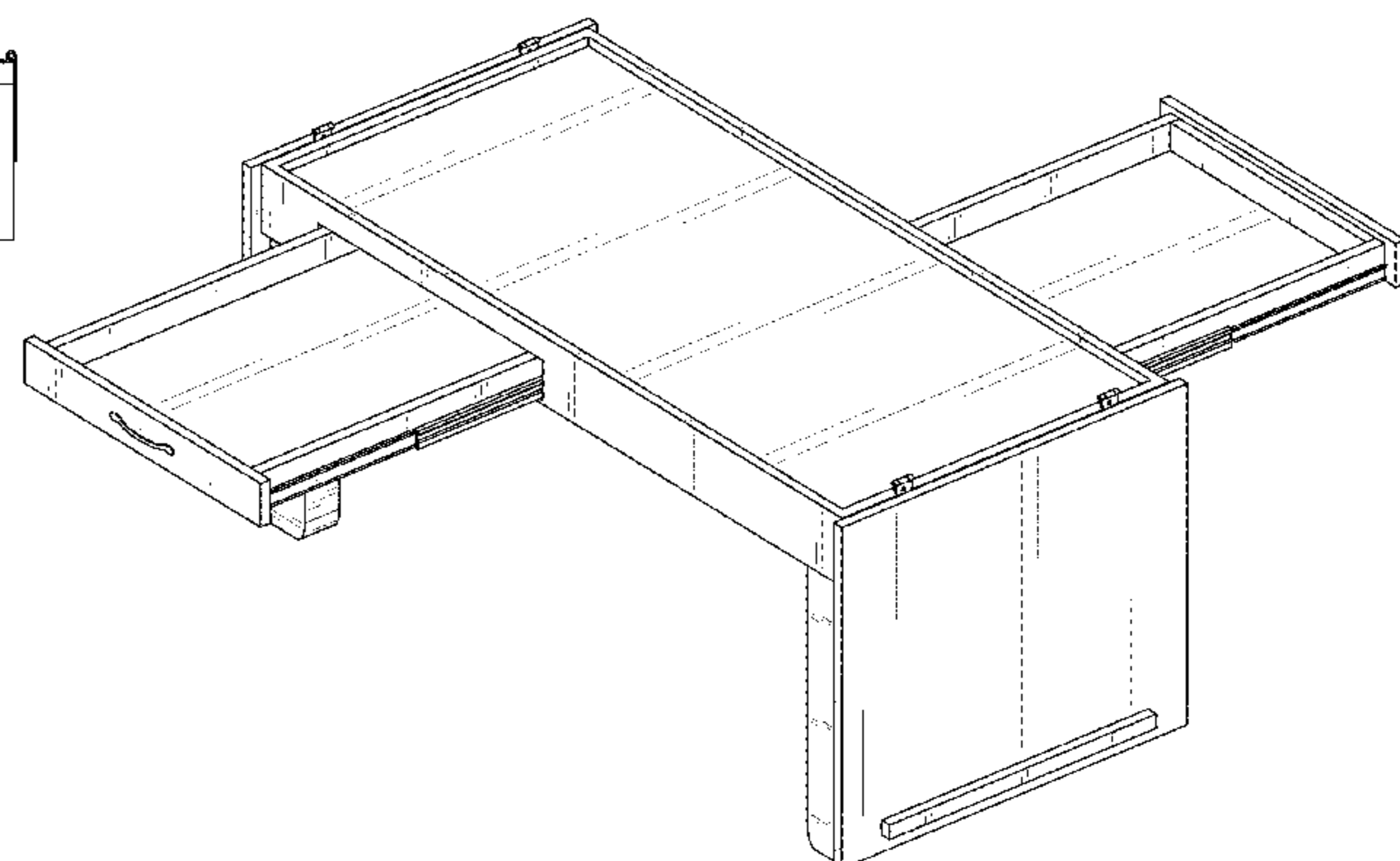
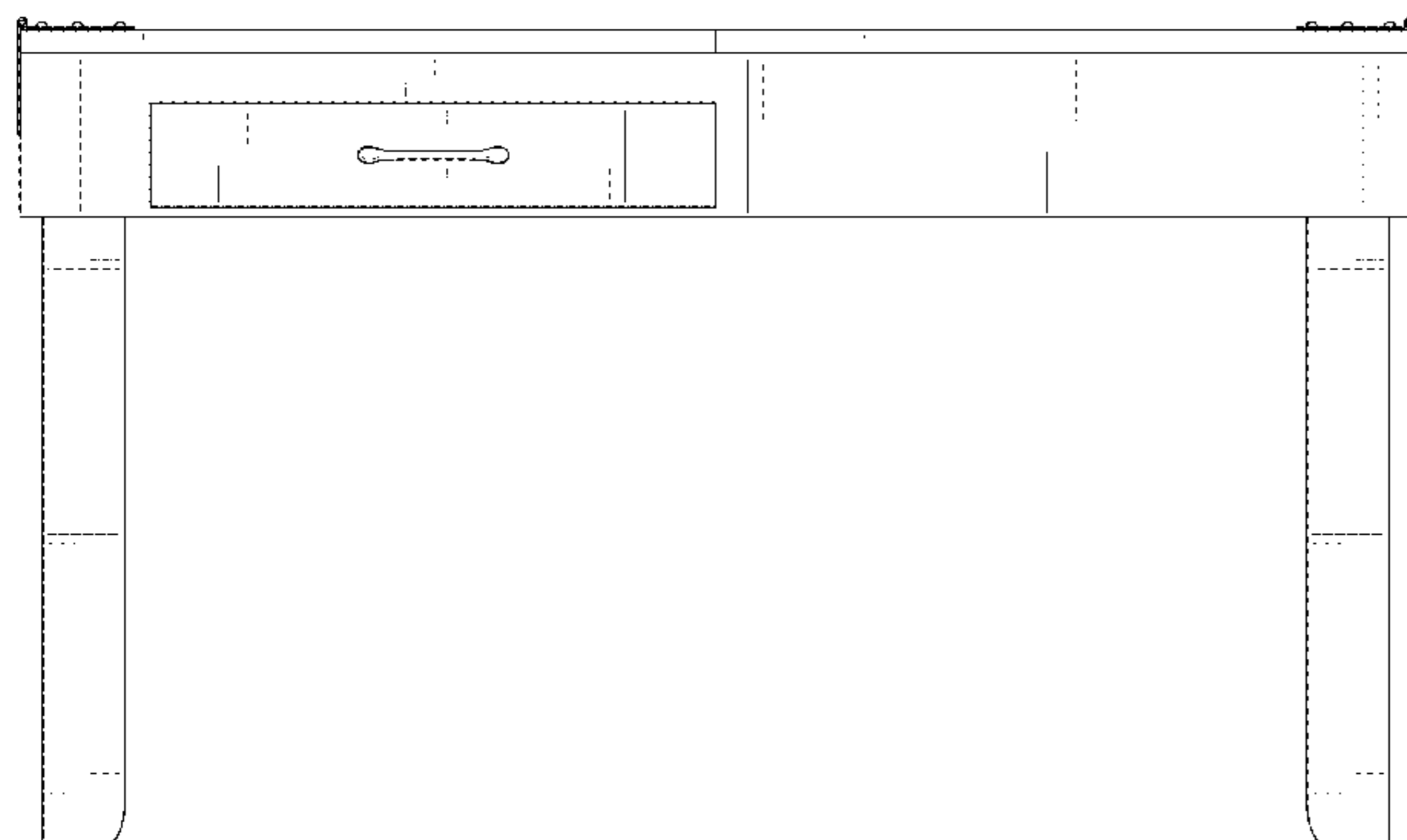


FIG. 5 is a left front perspective view of a multi-purpose puzzle table with one of the cover portions open in accordance with our design.

FIG. 6 is a left front perspective view of a multi-purpose puzzle table with both of the cover portions open in accordance with our design; and,

FIG. 7 is a left front perspective view of a multi-purpose puzzle table with both of the cover portions open and both drawers open in accordance with our design.

1 Claim, 7 Drawing Sheets

(56)

References Cited

U.S. PATENT DOCUMENTS

D372,602 S * 8/1996 Richardson A47B 46/00
D6/691.8
D654,960 S * 2/2012 Bruzzaniti D21/397

D715,868 S * 10/2014 Moser D21/397
D772,623 S * 11/2016 Lin A47B 1/00
D6/691
2002/0078865 A1* 6/2002 Kuvshnikov A47B 46/00
108/143
2015/0238007 A1* 8/2015 Faller A47B 3/0912
108/14
2019/0328126 A1* 10/2019 MacBain A47B 13/081

OTHER PUBLICATIONS

Pub Height Jigsaw Puzzle Table—Design Decor <https://designeddecor.com/product/pub-height-jigsaw-puzzle-table/> retrieved from the internet on Jan. 14, 2021.*

Jigsaw Puzzle Table—Jigsaw Puzzle Table <http://www.jigsawpuzzletables.com/puzzletable.htm> retrieved from the internet on Jan. 14, 2021.*

Puzzle Table—Woodworking News Online <https://www.highlandwoodworking.com/woodworking-projects/john-koenig-show-us-your-woodworking.html> retrieved from the internet on Jan. 14, 2021.*

* cited by examiner



FIG. 1

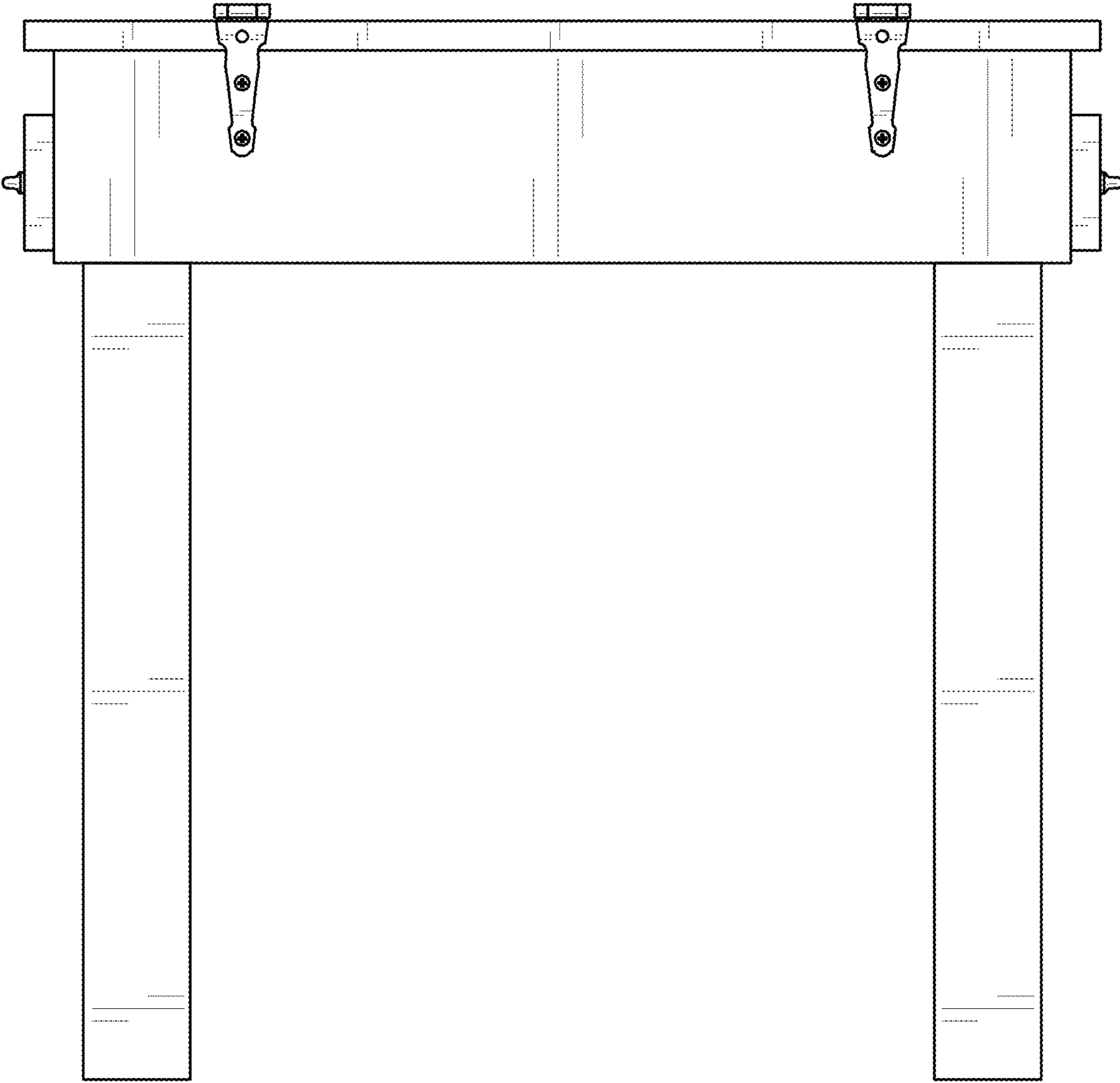


FIG. 2

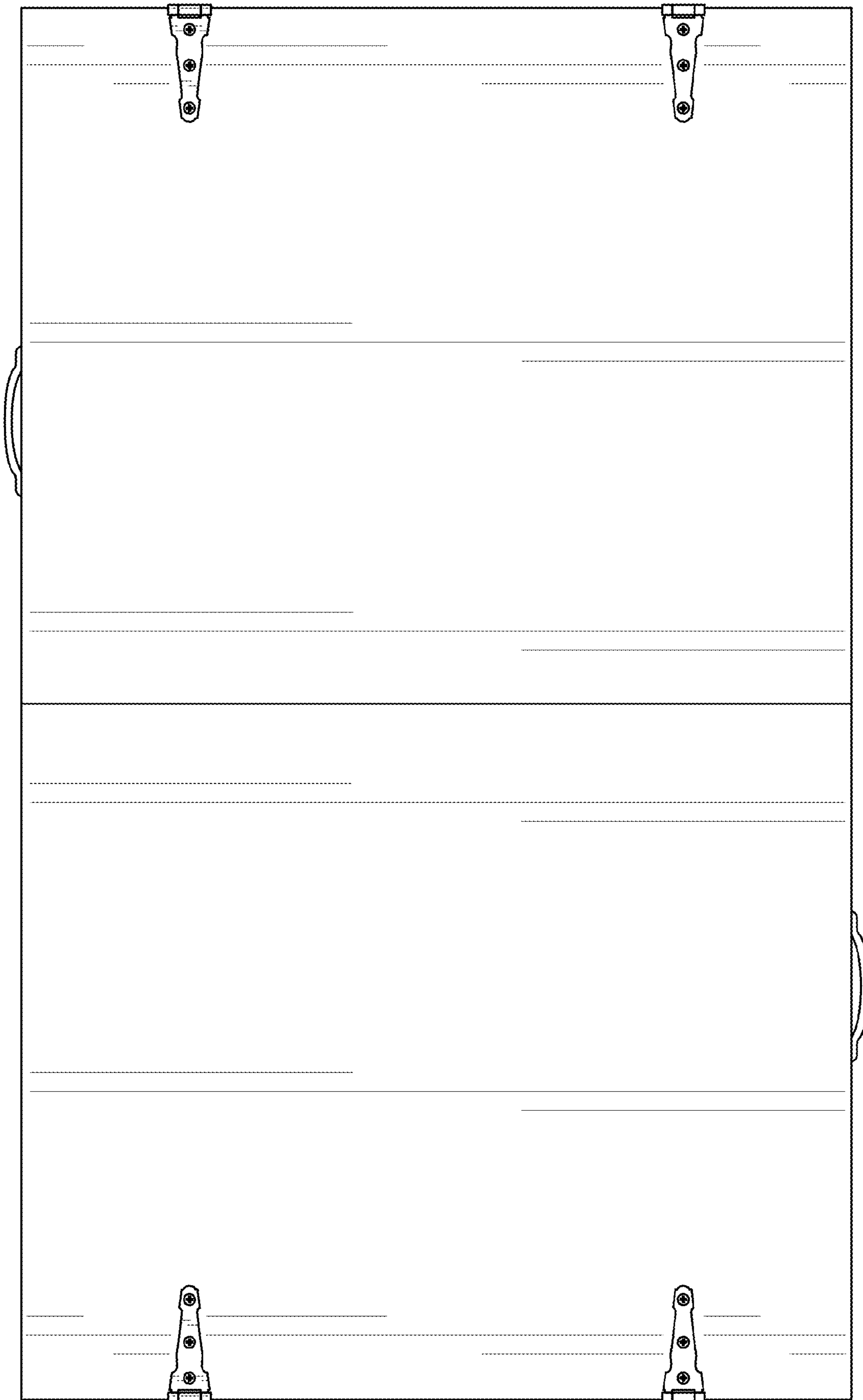


FIG. 3

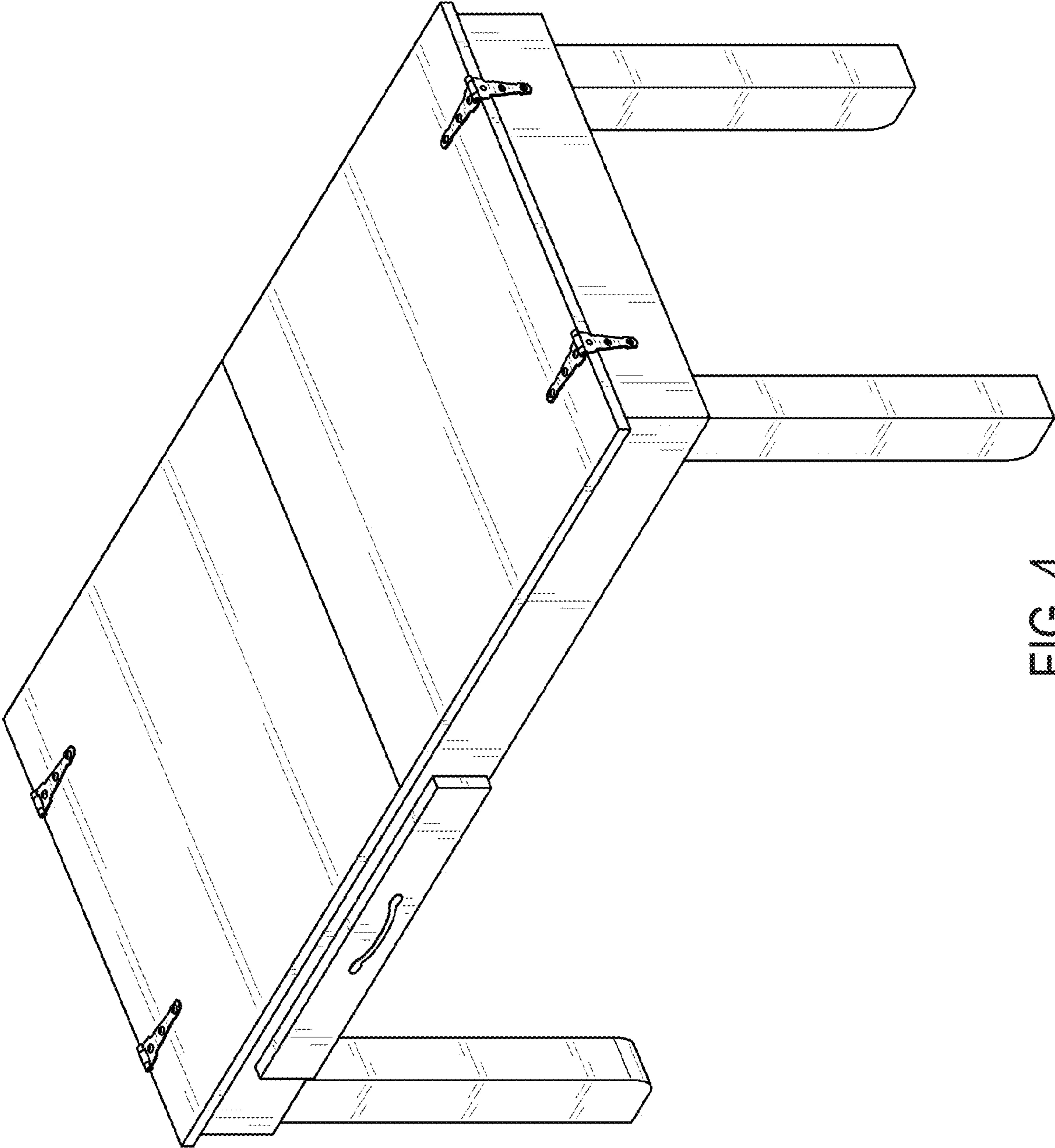


FIG. 4

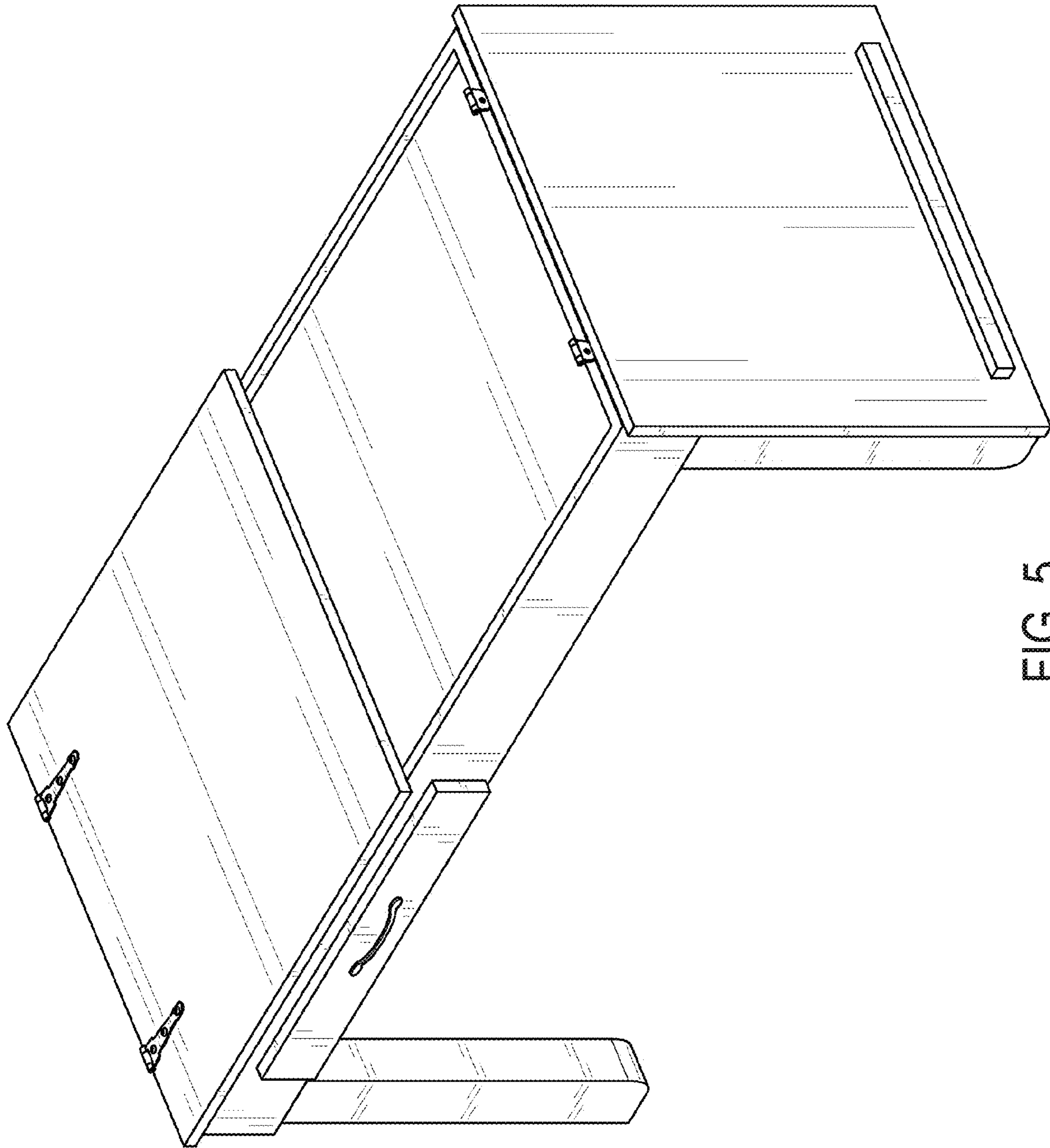


FIG. 5

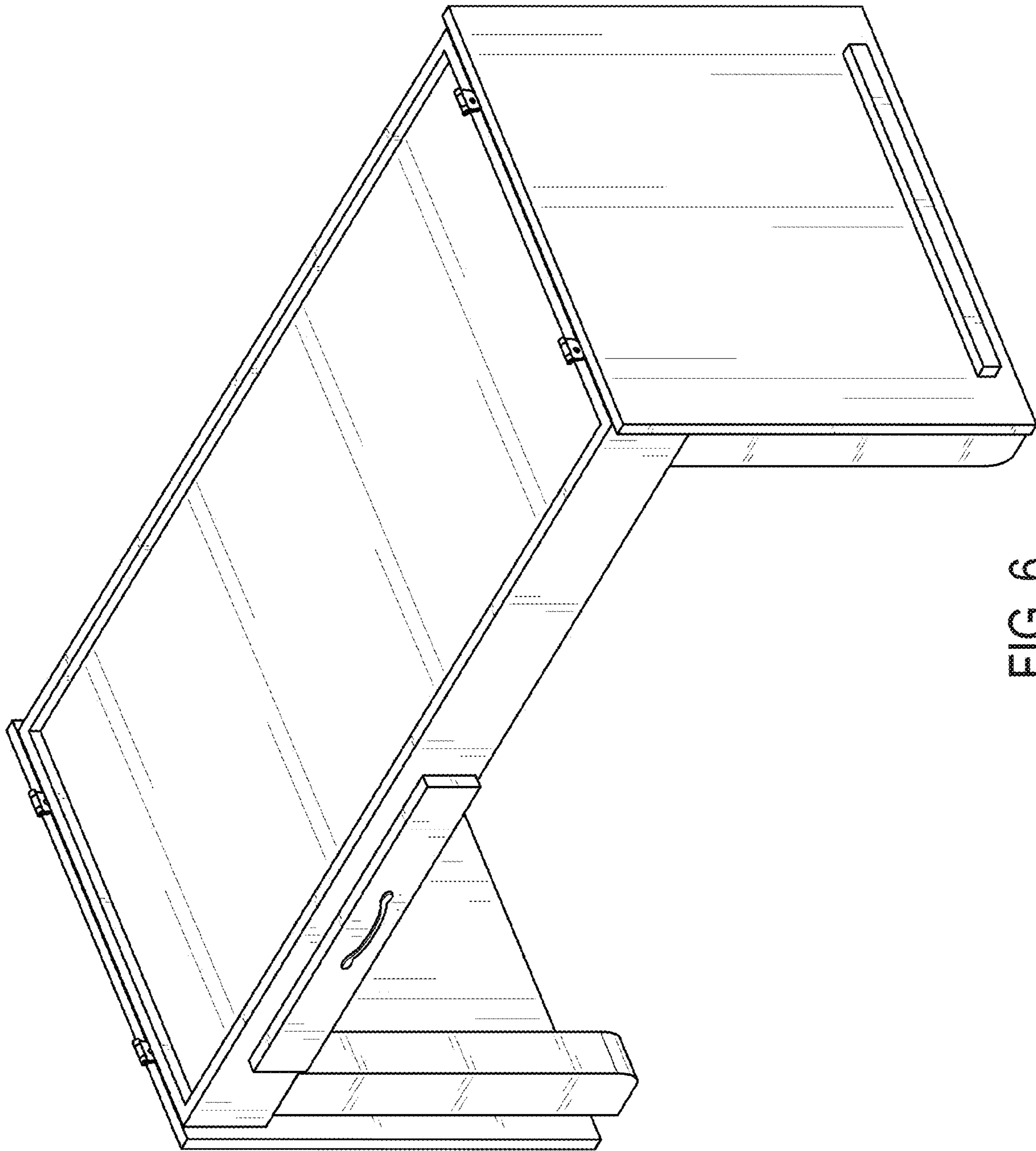


FIG. 6

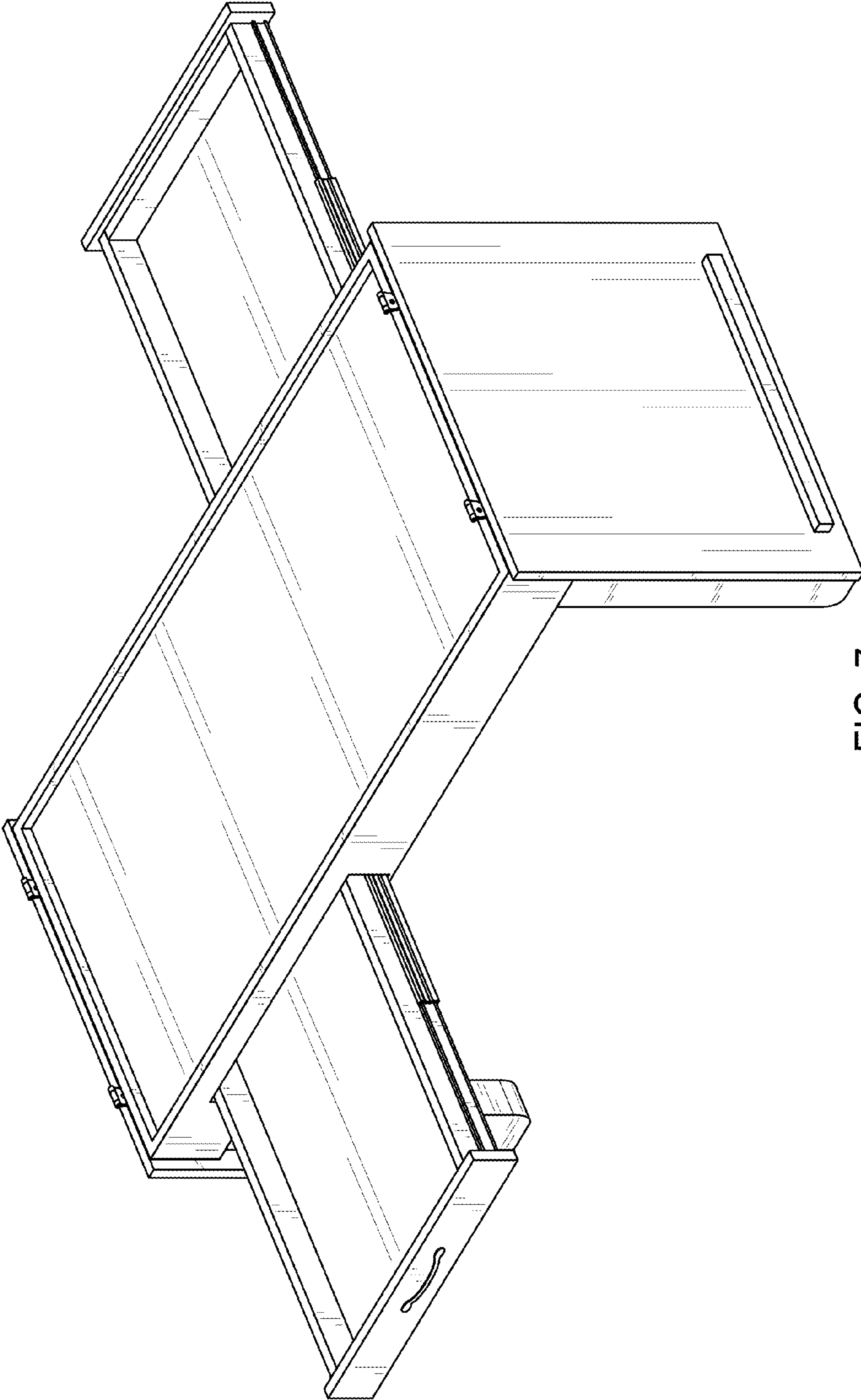


FIG. 7