



US00D915524S

(12) **United States Design Patent**
Cao et al.

(10) **Patent No.:** **US D915,524 S**

(45) **Date of Patent:** **** Apr. 6, 2021**

(54) **SCOOTER**

(71) Applicant: **Zhejiang Taotao Vehicles Co., Ltd.**,
Lishui (CN)

(72) Inventors: **Matao Cao**, Yongkang (CN);
Yongxiang Zhu, Liling (CN); **Jianbing Wu**, Chibi (CN); **Hongxia Zhu**, Lishui (CN)

(73) Assignee: **Zhejiang Taotao Vehicles Co., Ltd.**,
Lishui (CN)

(**) Term: **15 Years**

(21) Appl. No.: **29/682,694**

(22) Filed: **Mar. 7, 2019**

(30) **Foreign Application Priority Data**

Sep. 7, 2018 (CN) 201830504033.9

(51) **LOC (13) Cl.** **21-01**

(52) **U.S. Cl.**
USPC **D21/423**

(58) **Field of Classification Search**
USPC D21/419, 421, 423, 760, 765, 771;
D12/1, 8, 107, 110, 112, 113, 114
CPC B62K 3/002; B62K 9/00; B62K 2202/00;
B60Y 2200/126
See application file for complete search history.

(56) **References Cited**

U.S. PATENT DOCUMENTS

D686,674 S * 7/2013 Hadley D21/423
D727,833 S * 4/2015 Talios D12/423

D750,180 S * 2/2016 Edlauer D21/423
D839,358 S * 1/2019 Cao D21/423
D858,646 S * 9/2019 Yang D21/423
D877,257 S * 3/2020 Cao D21/423
D877,258 S * 3/2020 Cao D21/423
2011/0031711 A1* 2/2011 Grossman B62K 3/002
280/87.041
2019/0263468 A1* 8/2019 Huang B60K 1/04

* cited by examiner

Primary Examiner — Cynthia M. Chin

(74) *Attorney, Agent, or Firm* — Bayramoglu Law Offices
LLC

(57) **CLAIM**

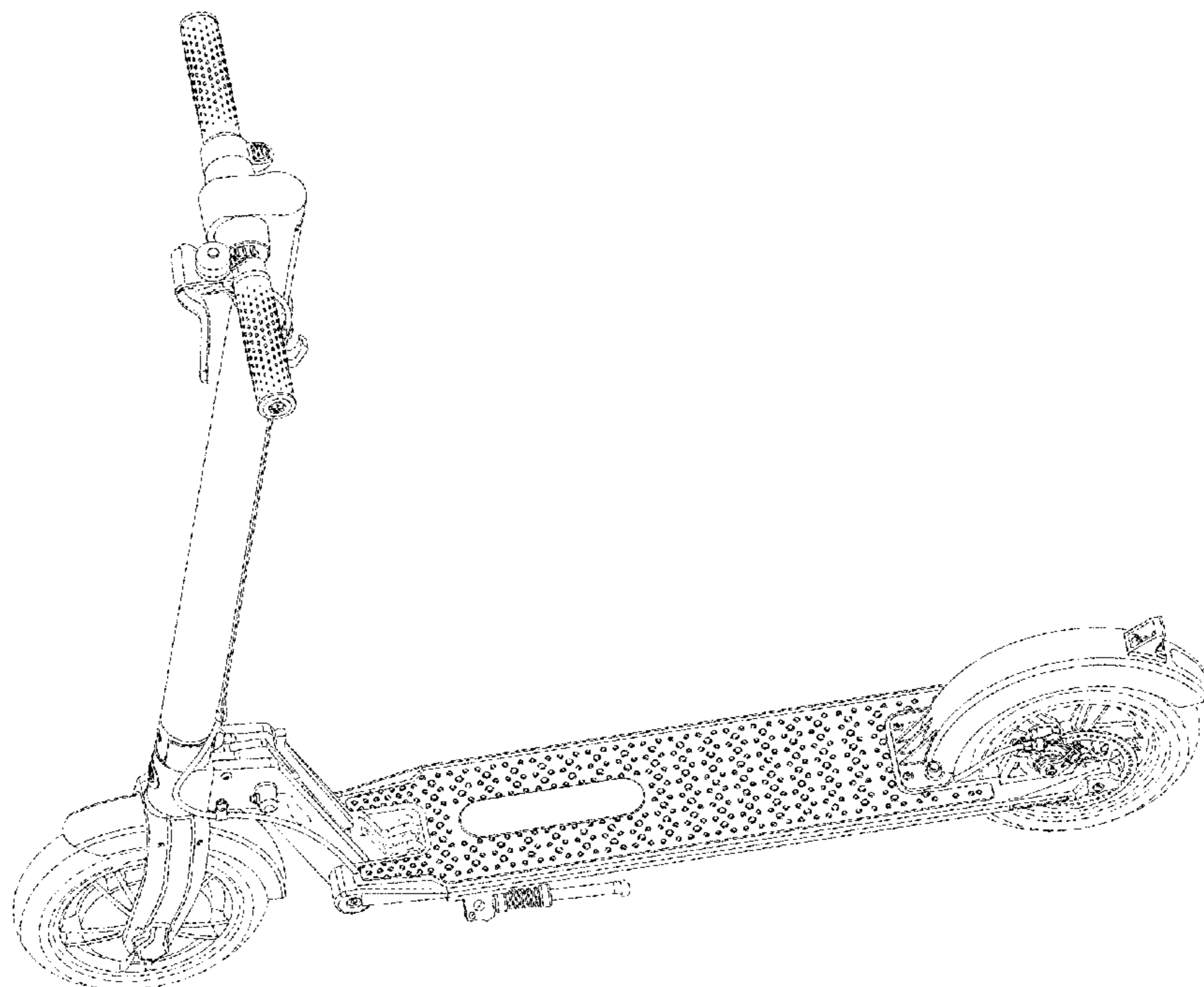
The ornamental design for a scooter, as shown and described.

DESCRIPTION

FIG. 1 is a perspective view of a scooter according to our new design;
FIG. 2 is a left side elevation view thereof;
FIG. 3 is a right side elevation view thereof;
FIG. 4 is a front elevation view thereof;
FIG. 5 is a rear elevation view thereof;
FIG. 6 is a top plan view thereof; and,
FIG. 7 is a bottom plan view thereof.

The broken lines in the drawings illustrating portions of the scooter form no part of the claimed design.

1 Claim, 7 Drawing Sheets



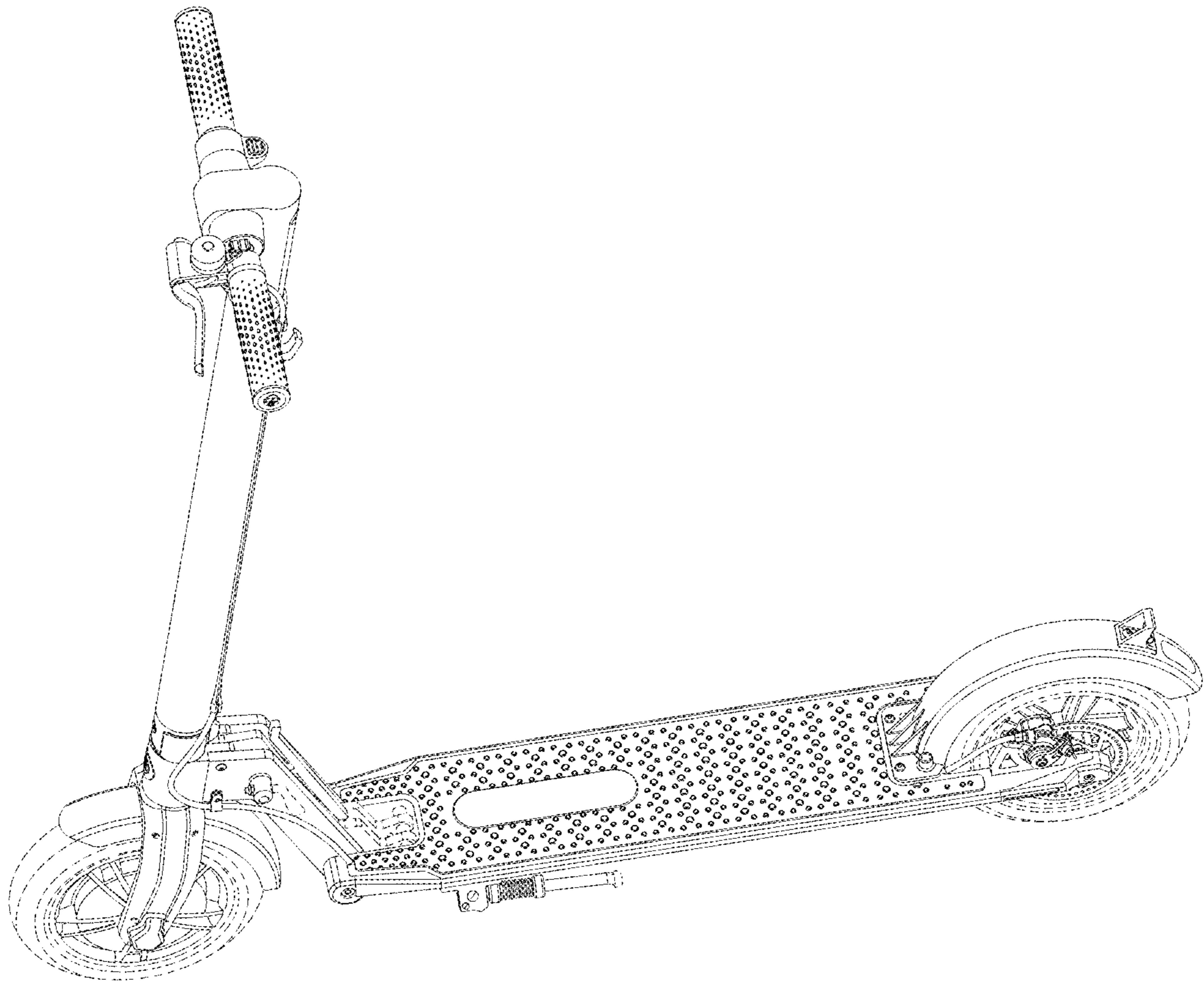


FIG. 1

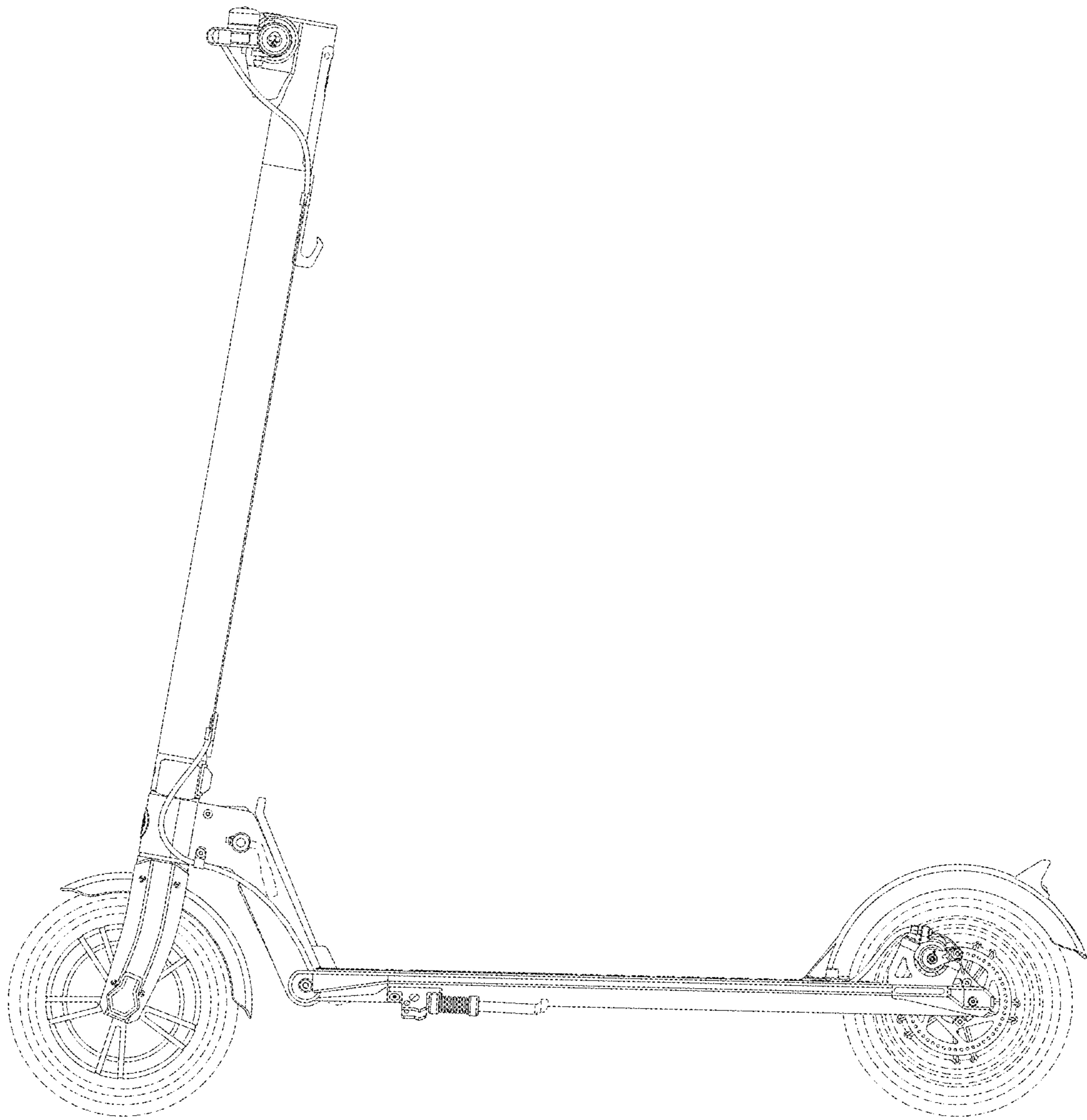


FIG. 2



FIG. 3

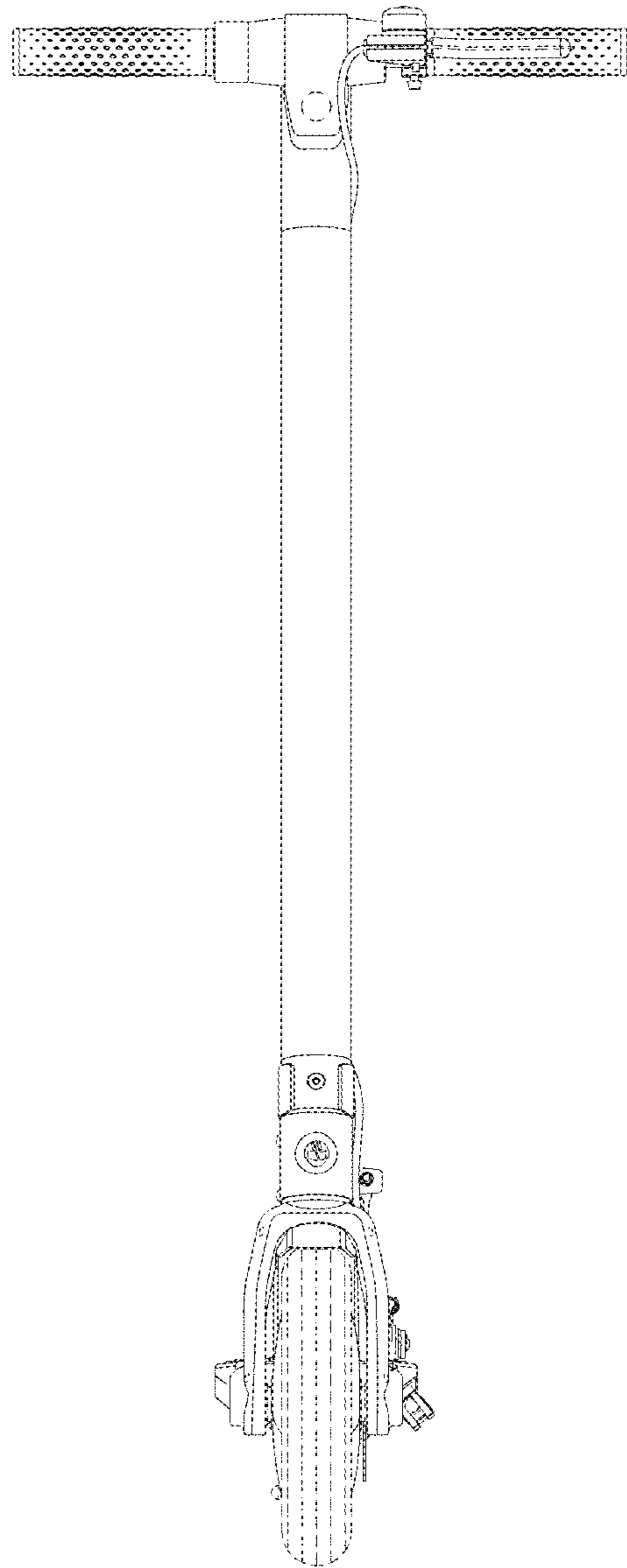


FIG. 4

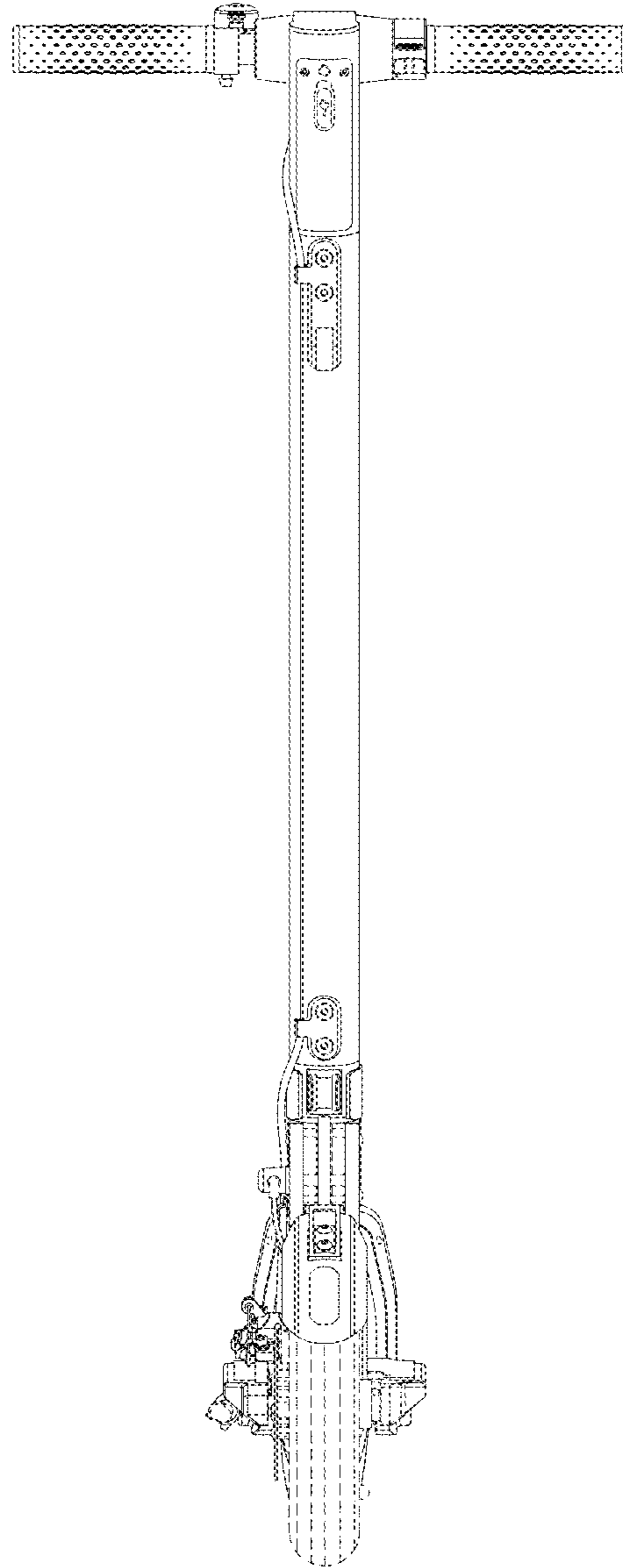


FIG. 5

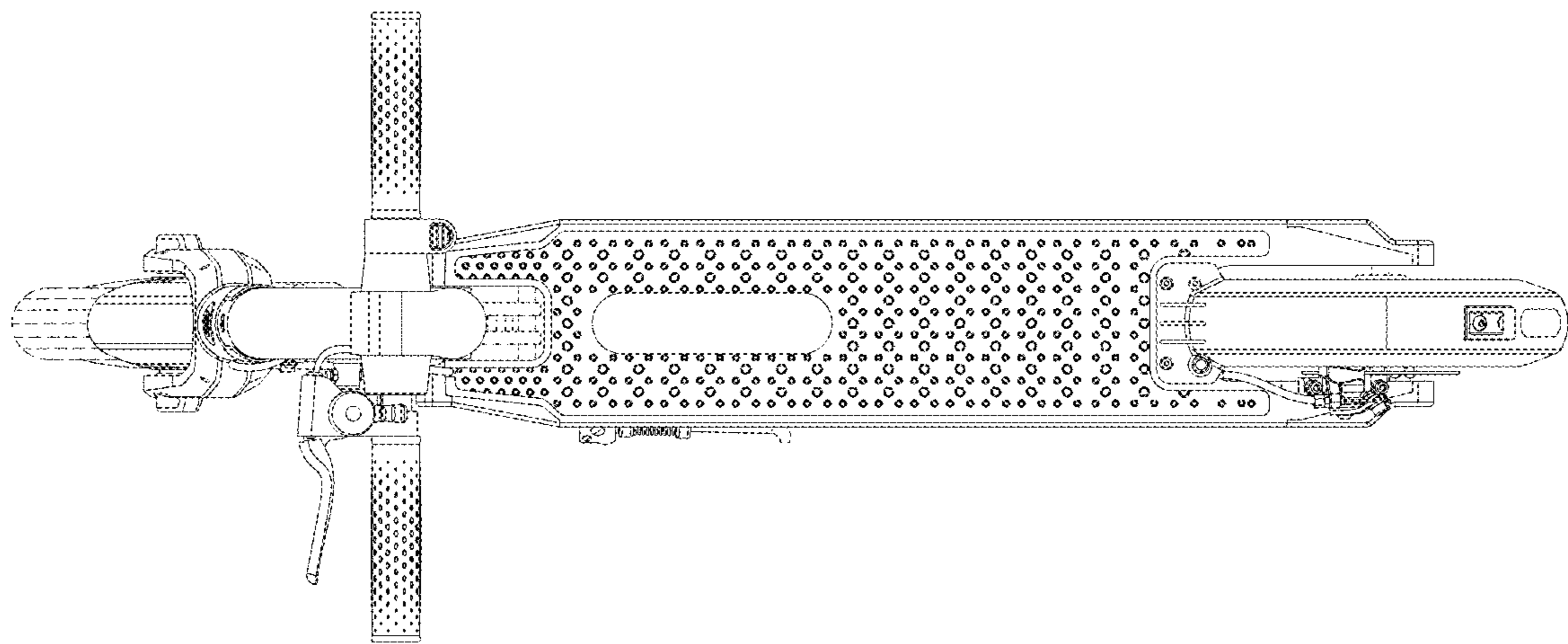


FIG. 6

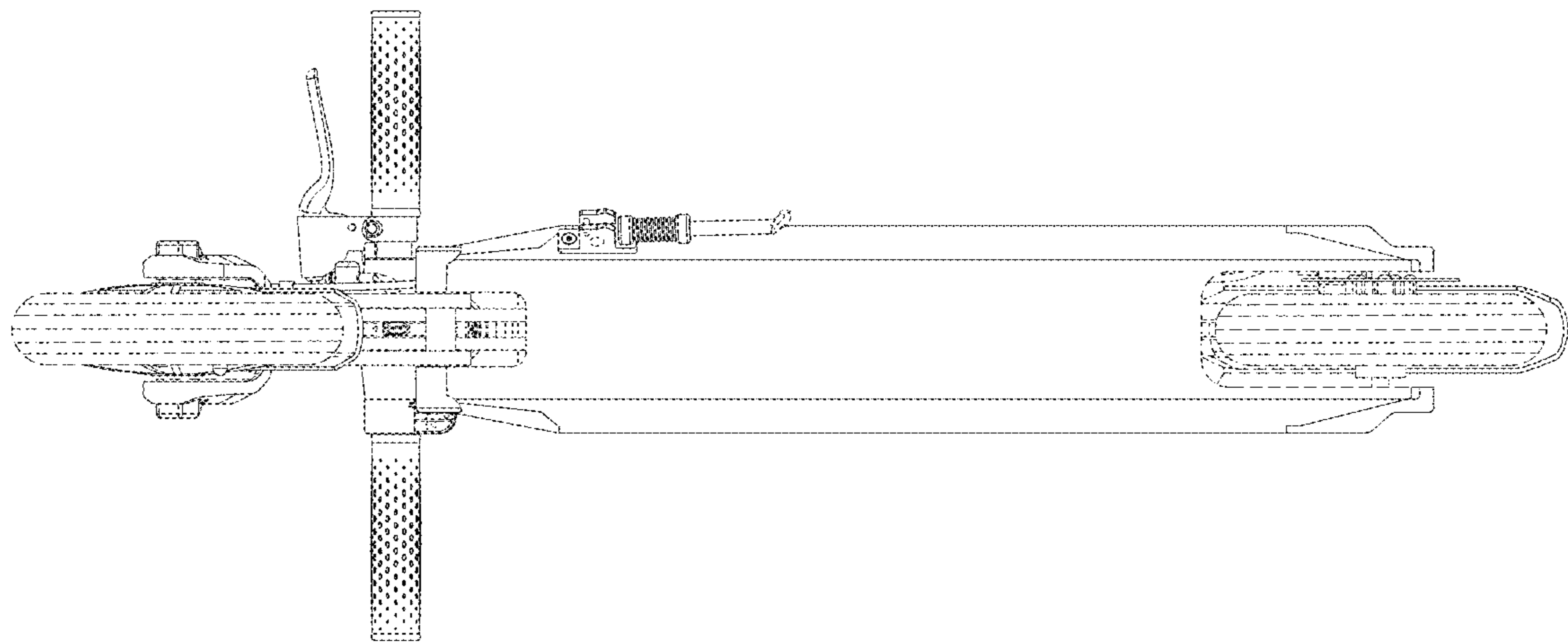


FIG. 7