



US00D915519S

(12) **United States Design Patent** (10) **Patent No.:** **US D915,519 S**
McGetrick (45) **Date of Patent:** **** Apr. 6, 2021**

(54) **TABLETOP GAME**
(71) Applicant: **Mellow Militia, LLC**, Santa Barbara, CA (US)
(72) Inventor: **Kyle P. McGetrick**, Santa Barbara, CA (US)
(73) Assignee: **Mellow Militia, LLC**, Santa Barbara, CA (US)

2,950,917 A 8/1960 Albert
2,950,918 A 8/1960 Albert
2,991,034 A 7/1961 Albert
3,009,702 A 11/1961 Albert
3,023,001 A 2/1962 Gourdouze
3,051,491 A 8/1962 Nat
3,288,466 A 11/1966 Cumings
3,520,535 A 7/1970 Dubbs et al.
3,656,747 A 4/1972 Revell, Jr. et al.
D226,770 S * 4/1973 Prischak et al. D21/309
(Continued)

(**) Term: **15 Years**

OTHER PUBLICATIONS

(21) Appl. No.: **29/754,411**
(22) Filed: **Oct. 9, 2020**

“Tiki Toss Game Desktop”, posted Jul. 24, 2019 [Online], [retrieved Nov. 13, 2020]. Retrieved from Internet, https://www.amazon.com/Tiki-Toss-Original-Desktop-Bamboo/product-reviews/B07QGFSLQ3/ref=cm_cr_getr_d_paging_btm_next_4?ie=UTF8&reviewerType=all_reviews&sortBy=recent&pageNumber=4.*

(Continued)

Related U.S. Application Data

(63) Continuation of application No. 29/676,005, filed on Jan. 7, 2019, now Pat. No. Des. 902,317.

(51) **LOC (13) Cl.** **21-01**

(52) **U.S. Cl.**
USPC **D21/309**

(58) **Field of Classification Search**
USPC D30/302, 303, 304, 306, 309, 322, 401, D30/466, 699, 716, 719, 788; D9/436, D9/455, 715, 601; 473/422, 423, 429, 473/430, 507, 508, 514; 273/320, 332; D21/302, 303, 304, 306, 309, 322, 401, D21/466, 699, 716, 719, 788
CPC A63B 69/0079; A63B 2071/026
See application file for complete search history.

Primary Examiner — Sandra Snapp
Assistant Examiner — Mehri Bajoul
(74) *Attorney, Agent, or Firm* — Lee Sullivan Shea & Smith LLP

(57) **CLAIM**

The ornamental design for a tabletop game, as shown and described.

DESCRIPTION

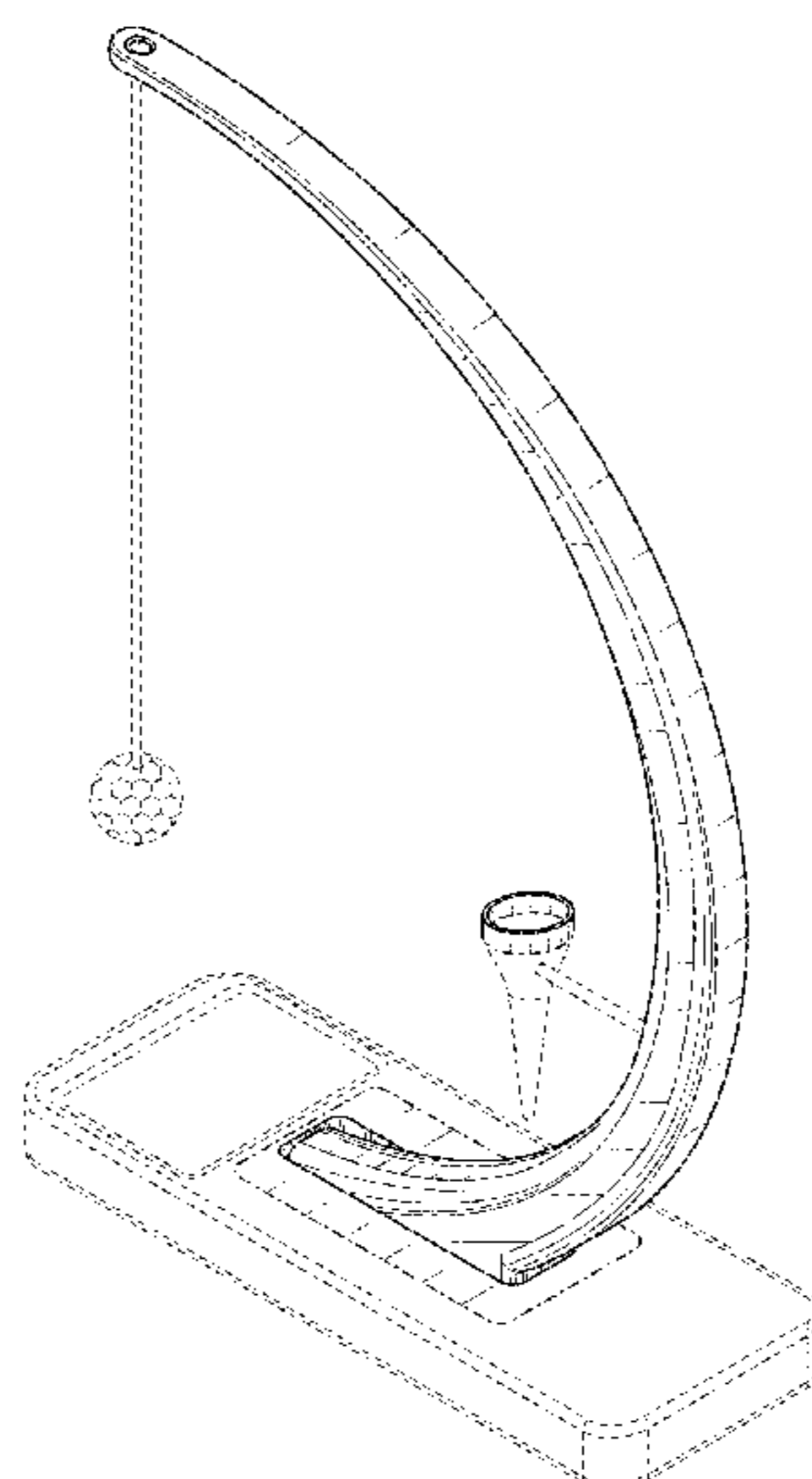
FIG. 1 is a rear, perspective view of a tabletop game showing my new design;
FIG. 2 is a right-side view of my new design with the left-side view being a mirror image;
FIG. 3 is a front view of my new design; and,
FIG. 4 is a top plan view of my new design.
The evenly-dashed, broken lines depict portions of the tabletop game and form no part of the claimed design. The dot-dash lines depict boundary lines and form no part of the claimed design.

(56) **References Cited**

U.S. PATENT DOCUMENTS

1,052,907 A 2/1913 Fergusson
1,121,353 A 12/1914 Grikscheit
1,398,511 A 11/1921 Hanrath
2,095,390 A 10/1937 Herman et al.
2,147,176 A 2/1939 Ronzone
D150,236 S * 7/1948 Kneser D21/309
2,942,886 A 6/1960 Ackerman

1 Claim, 4 Drawing Sheets



(56)

References Cited

U.S. PATENT DOCUMENTS

D228,079 S * 8/1973 Huffman D21/309
 D236,220 S * 8/1975 Nicodemus, Jr. D21/309
 D245,835 S * 9/1977 Lusk D11/131
 4,120,498 A 10/1978 Mutschler et al.
 4,158,458 A * 6/1979 Gomez A63B 69/0079
 473/575
 4,564,200 A 1/1986 Loring et al.
 D285,811 S * 9/1986 Donahoe D21/304
 4,635,942 A 1/1987 Flaherty, Jr.
 D290,558 S * 6/1987 Zorrilla D6/682.5
 4,685,674 A * 8/1987 Toth A63D 7/00
 473/108
 D300,790 S * 4/1989 Beckwith D11/131
 4,948,150 A * 8/1990 Daly, Jr. A63B 69/0079
 473/430
 4,989,867 A * 2/1991 Herrick A63B 69/0091
 473/429
 4,989,877 A * 2/1991 Bias A63B 69/0079
 273/DIG. 21
 5,171,019 A 12/1992 Arnette
 D335,401 S * 5/1993 Nations D11/131
 D345,993 S * 4/1994 Sweetland D21/309
 D348,910 S * 7/1994 Sumner D21/466
 D356,906 S * 4/1995 Dardashti D6/674
 D361,472 S * 8/1995 Heilicher D7/505
 D365,249 S * 12/1995 Reisman D7/601

7,186,192 B1 * 3/2007 Suissa A63B 69/0079
 473/423
 D611,995 S * 3/2010 Taylor D21/309
 D613,524 S * 4/2010 Jeffers D6/682
 D637,043 S * 5/2011 Baquero D7/601
 D750,400 S * 3/2016 Lowery D6/678
 D785,380 S * 5/2017 King D6/681
 D839,642 S * 2/2019 Fischer D6/677
 D856,044 S * 8/2019 Fischer D6/677
 D857,429 S * 8/2019 Kuehnast D6/681.1
 D874,872 S * 2/2020 Godinger D7/397
 D900,223 S * 10/2020 Meyer D21/302
 2009/0206550 A1 8/2009 Pershin et al.
 2014/0049007 A1 2/2014 McGetrick et al.
 2015/0115530 A1 4/2015 Vanston
 2016/0339315 A1 11/2016 McGetrick

OTHER PUBLICATIONS

“Tee Toss Golf Edigition by Tiki Toss”, posted Oct. 21, 2019
 [Online], [retrieved Nov. 13, 2020]. Retrieved from Internet, https://www.youtube.com/watch?v=_Fe-6p0UqLk.
 Non-Final Office Action dated Mar. 27, 2014, issued in connection
 with U.S. Appl. No. 13/970,347, filed Aug. 19, 2013, 7 pages.
 Final Office Action dated Jul. 31, 2014, issued in connection with
 U.S. Appl. No. 13/970,347, filed Aug. 19, 2013, 6 pages.

* cited by examiner

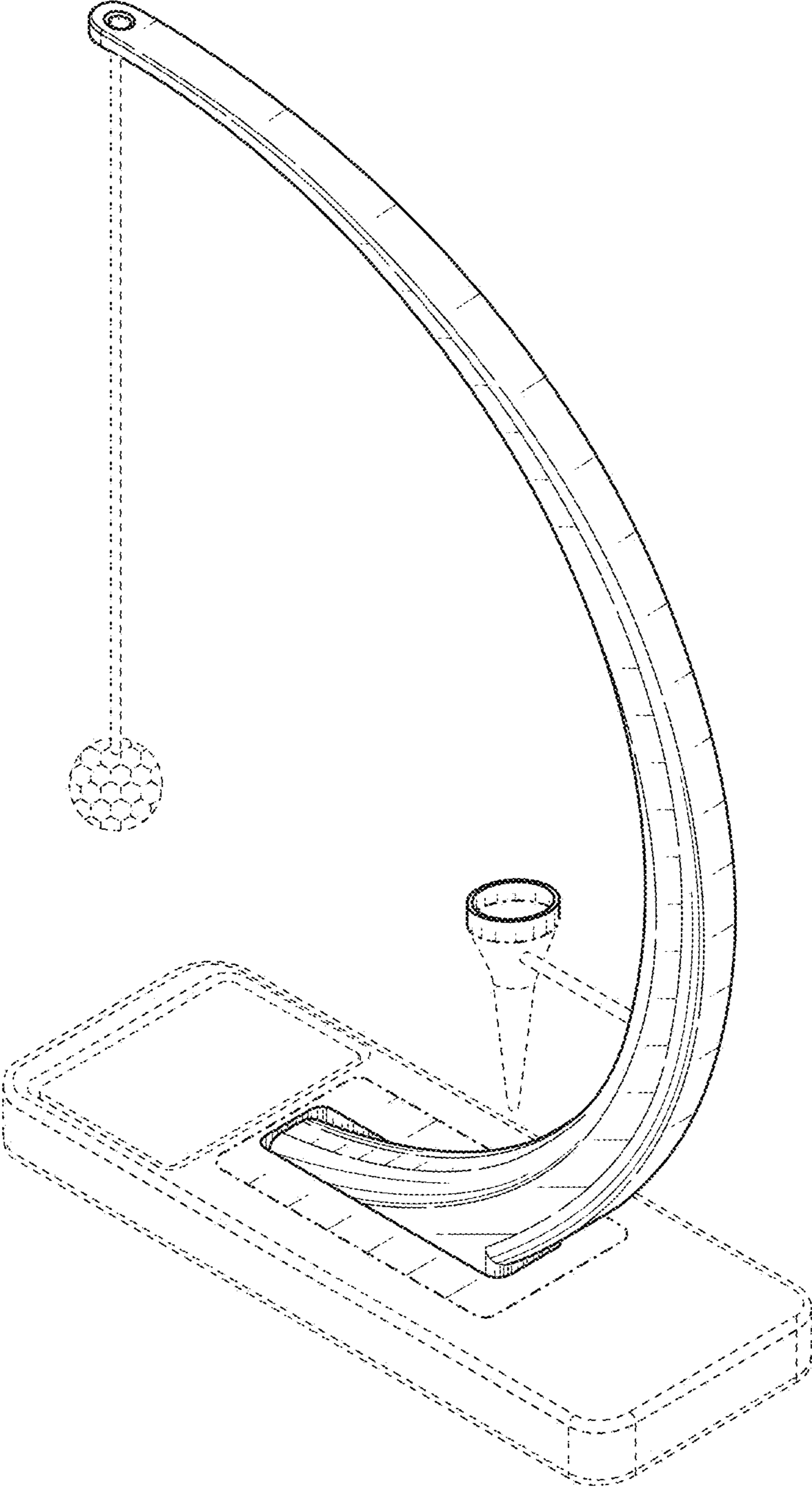


FIG. 1

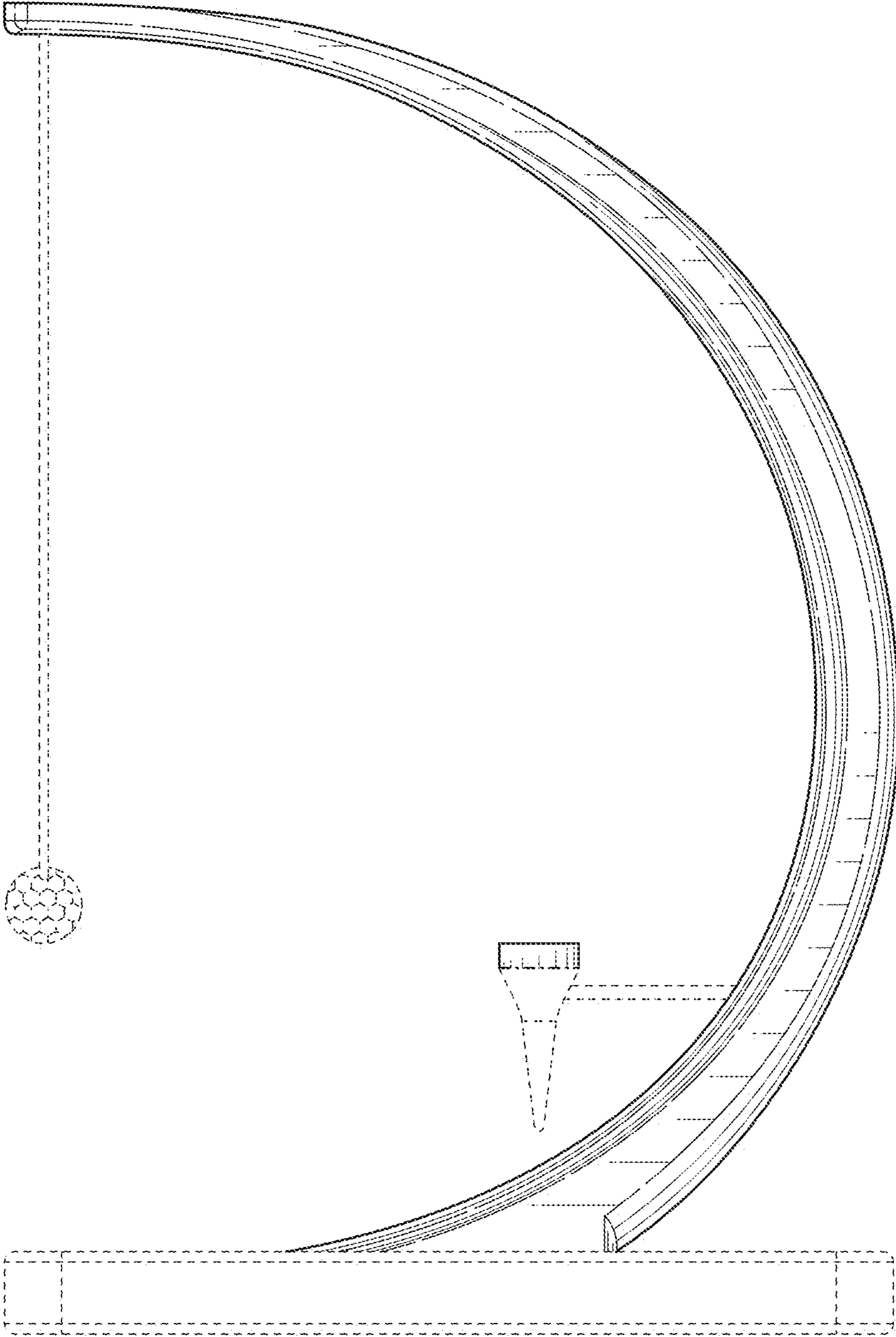


FIG. 2

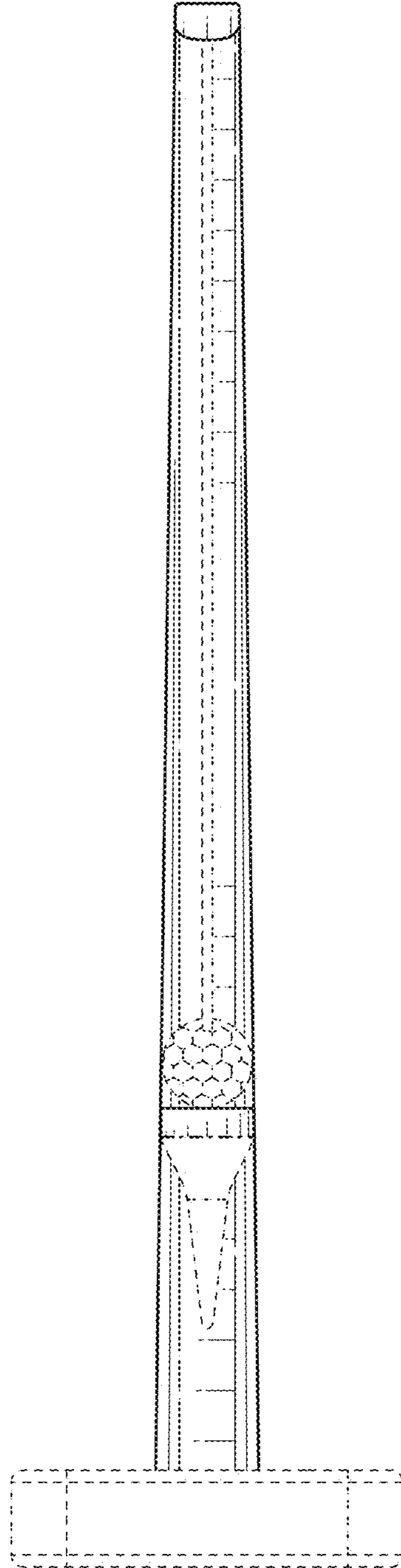


FIG. 3

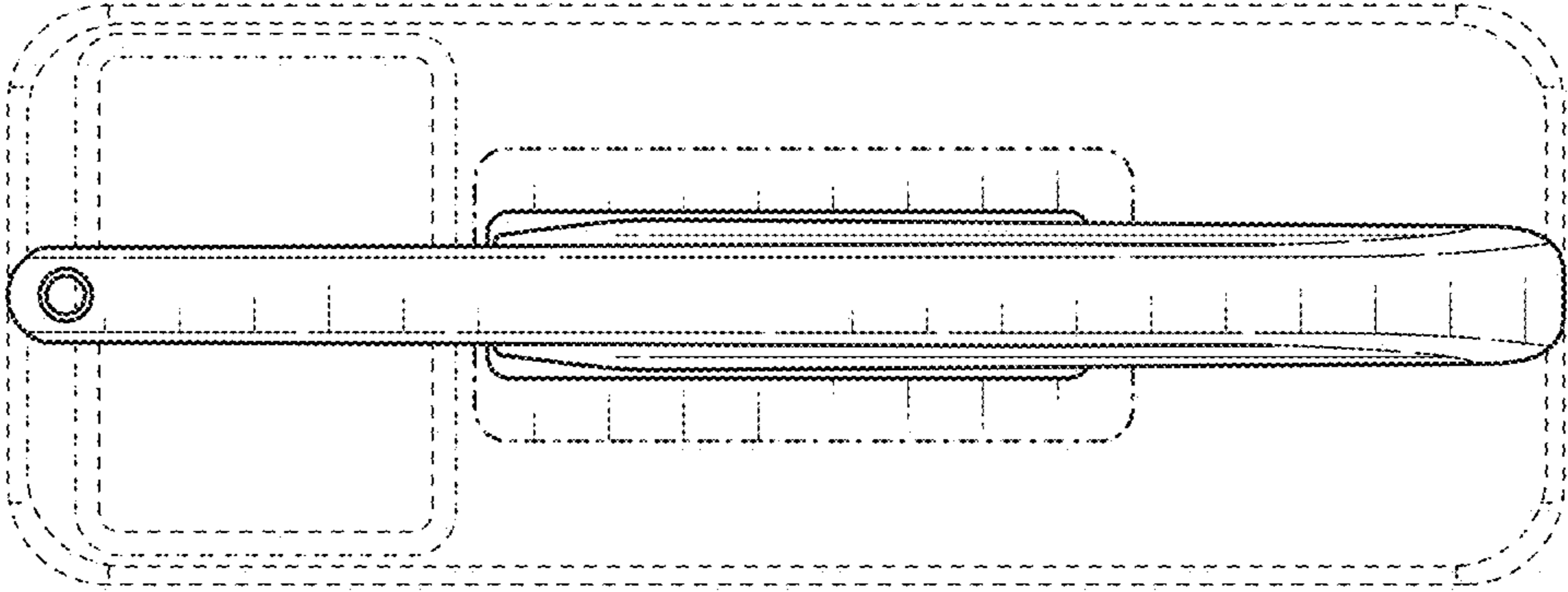


FIG. 4