



US00D915517S

(12) **United States Design Patent**  
**White et al.**

(10) **Patent No.: US D915,517 S**

(45) **Date of Patent: \*\* Apr. 6, 2021**

(54) **FOUR-WIRE ELECTRONIC LABEL HOLDER FOR SCAN HOOK**

(71) Applicant: **K-International, Inc.**, Waukegan, IL (US)

(72) Inventors: **Michael J. White**, Green Lake, WI (US); **Michael L. Sisko**, Kenosha, WI (US)

(73) Assignee: **K-International, Inc.**, Waukegan, IL (US)

(\*\*) Term: **15 Years**

(21) Appl. No.: **29/726,795**

(22) Filed: **Mar. 5, 2020**

**Related U.S. Application Data**

(63) Continuation-in-part of application No. 16/536,596, filed on Aug. 9, 2019, now Pat. No. 10,706,749.

(51) **LOC (13) Cl.** ..... **20-03**

(52) **U.S. Cl.**  
USPC ..... **D20/43; D20/44**

(58) **Field of Classification Search**  
USPC ..... D6/325, 328; D8/321, 349, 354, 355, D8/366, 371, 373, 380, 381, 400; D20/10, 42-44, 99; D25/119  
(Continued)

(56) **References Cited**

**U.S. PATENT DOCUMENTS**

D141,048 S \* 5/1945 Ketchum, Jr. .... D25/119  
6,035,569 A 3/2000 Nagel et al.

(Continued)

**OTHER PUBLICATIONS**

K International Catalog No. 16, p. 111—Part Nos. 109502 and 109500, Published Oct. 2018.

*Primary Examiner* — Mary Ann Calabrese

*Assistant Examiner* — Catherine Ho

(74) *Attorney, Agent, or Firm* — Schiff Hardin LLP

(57) **CLAIM**

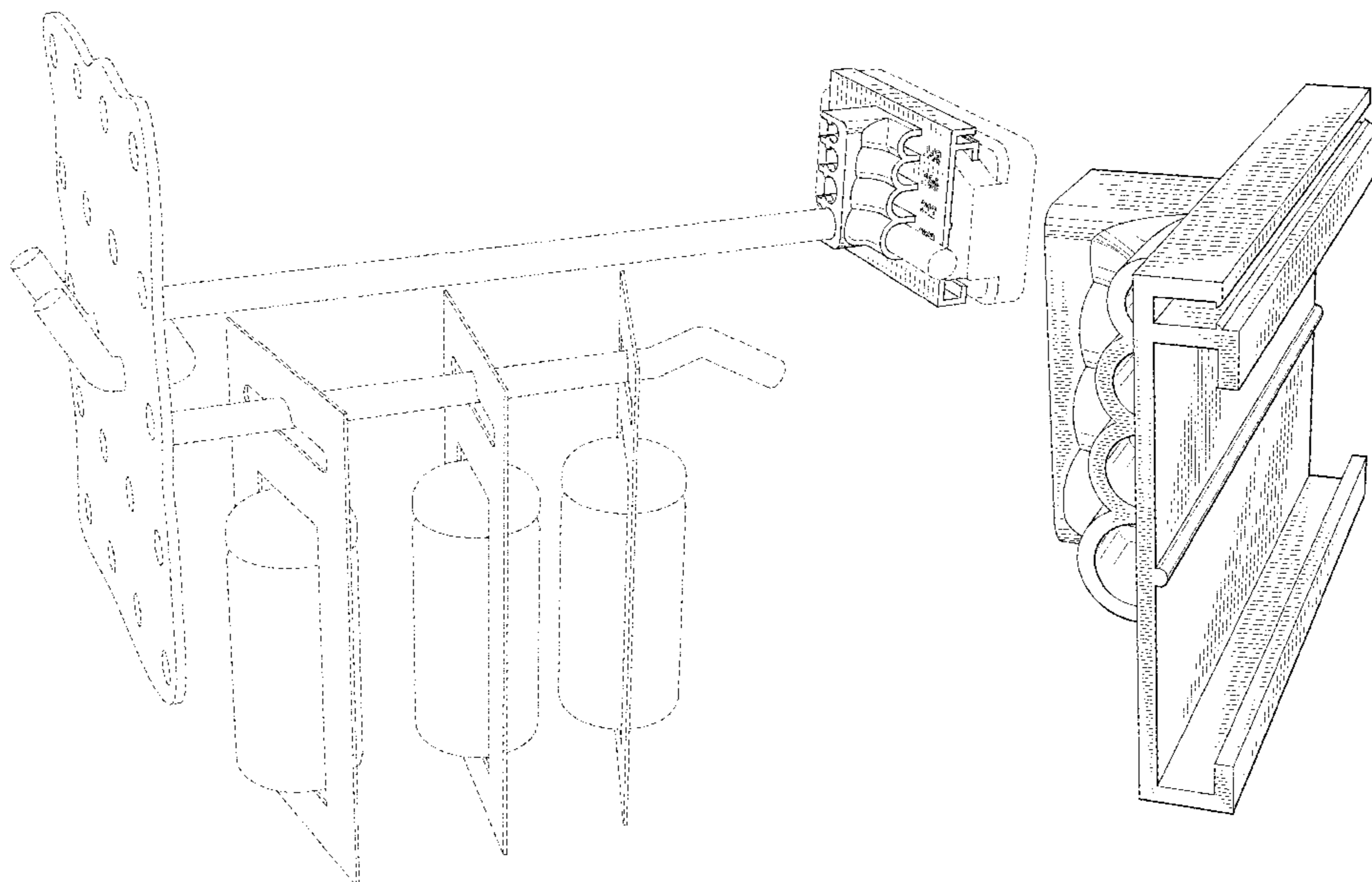
The ornamental design for a four-wire electronic label holder for scan hook, as shown and described.

**DESCRIPTION**

FIG. 1 is a front perspective view of a four-wire electronic label holder for scan hook in an environment of use; FIG. 2 is a back perspective view of a four-wire electronic label holder for scan hook in an environment of use; FIG. 3 is a perspective view taken from the front, top, left side of the four-wire electronic label holder for scan hook showing our new design; FIG. 4 is a perspective view taken from the back, bottom, right side thereof; FIG. 5 is a front elevational view thereof; FIG. 6 is a back elevational view thereof; FIG. 7 is a side elevation view from the right-hand side thereof; FIG. 8 is a side elevation view from the left-hand side thereof; FIG. 9 is a top plan view thereof; and, FIG. 10 is a bottom plan view thereof.

The broken lines in FIGS. 1 and 2 illustrate the environment, including an electronic price label module and a scan hook product display, in which the four-wire electronic label holder for scan hook may be used and form no part of the claim. The remaining broken lines in the FIGS. 2 and 6, including the numerals .149, .186, .212, and .250, illustrate portions of the four-wire electronic label holder for scan hook that form no part of the claimed design.

**1 Claim, 5 Drawing Sheets**



(58) **Field of Classification Search**

CPC ..... G09F 7/16; G09F 2007/122; G09F 13/00;  
 G09F 13/04; G09F 13/06; G09F 13/18;  
 G09F 13/22; G09F 13/24; G09F 13/26;  
 G09F 2013/1895; G09F 15/00; B29C  
 65/52; B29C 65/56; B23P 19/00; B32B  
 37/02; B32B 38/00

See application file for complete search history.

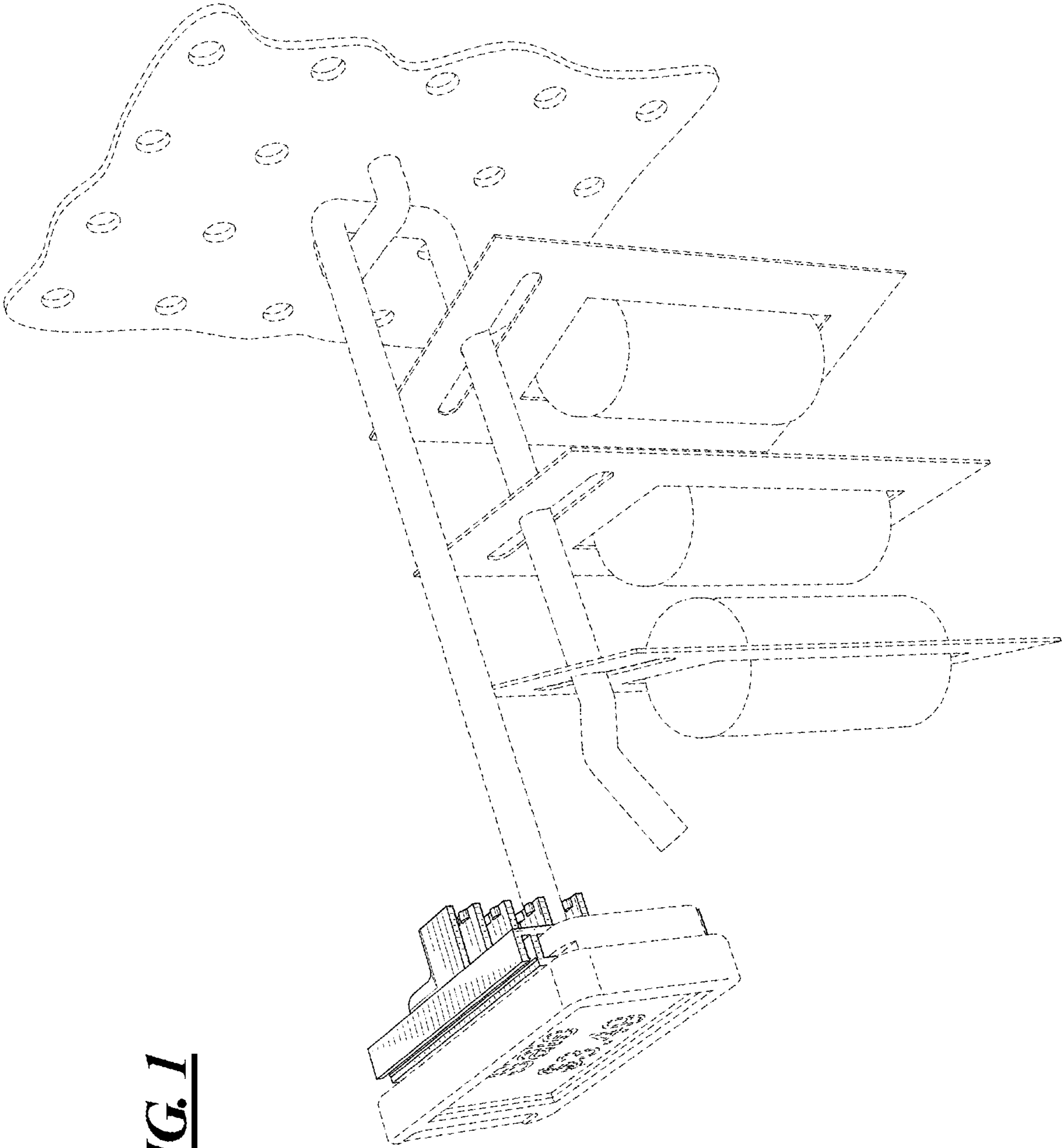
(56) **References Cited**

U.S. PATENT DOCUMENTS

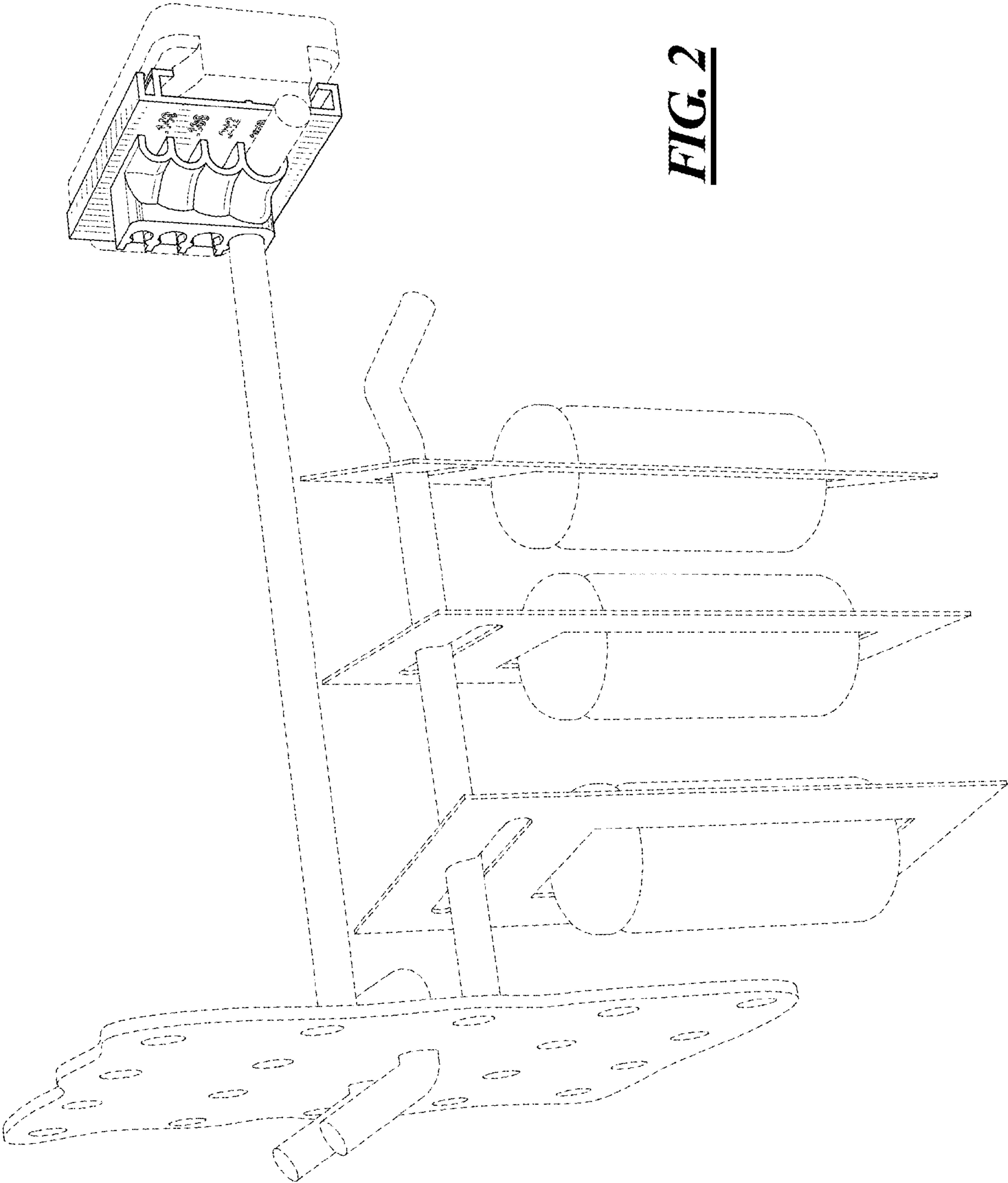
6,119,990 A 9/2000 Kump et al.  
 D453,798 S \* 2/2002 Gray ..... D20/43  
 D473,662 S \* 4/2003 Shaw ..... D25/119  
 6,553,702 B1 4/2003 Bacnik  
 D476,375 S \* 6/2003 Zadak ..... D20/43  
 D485,582 S \* 1/2004 Valiulis ..... D20/44  
 D487,115 S \* 2/2004 Kosir ..... D20/43  
 6,935,062 B2 8/2005 Lowry et al.  
 7,455,081 B2 11/2008 Bacnik

D645,095 S \* 9/2011 Garfinkle ..... D20/44  
 D693,483 S \* 11/2013 Krieger ..... E04F 13/0826  
 D732,702 S \* 6/2015 Gallien ..... D25/119  
 D791,360 S \* 7/2017 Singh ..... D25/119  
 D791,361 S \* 7/2017 Singh ..... D25/119  
 D829,823 S \* 10/2018 White ..... D20/43  
 D830,813 S \* 10/2018 Garfinkle ..... D8/354  
 D853,589 S \* 7/2019 Jackson ..... D25/119  
 D858,721 S \* 9/2019 Gori ..... D23/267  
 D859,140 S \* 9/2019 Kovacs ..... D8/499  
 D859,610 S \* 9/2019 Gori ..... D23/267  
 D872,884 S \* 1/2020 Carter ..... D25/119  
 D874,025 S \* 1/2020 Kittur ..... D25/119  
 D875,898 S \* 2/2020 Gori ..... D23/267  
 D891,904 S \* 8/2020 Naugler ..... D8/349  
 D892,602 S \* 8/2020 White ..... D8/380  
 D899,523 S \* 10/2020 Rollins ..... D20/43  
 D899,632 S \* 10/2020 Roberts ..... D25/119  
 D902,693 S \* 11/2020 Freeman ..... D8/349  
 2005/0133676 A1 \* 6/2005 Brinkman ..... A47F 5/0869  
 248/223.41

\* cited by examiner

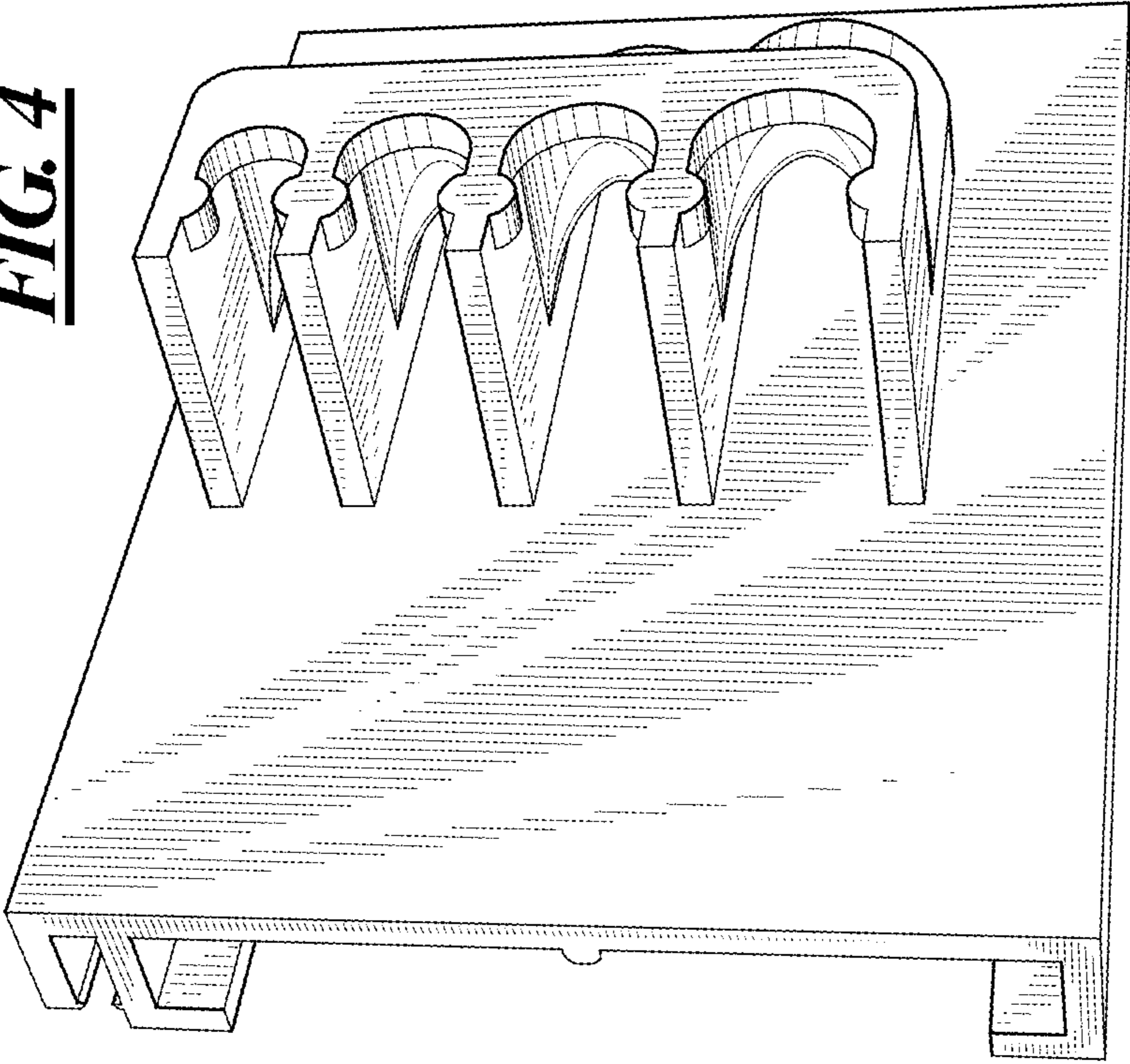


**FIG. 1**

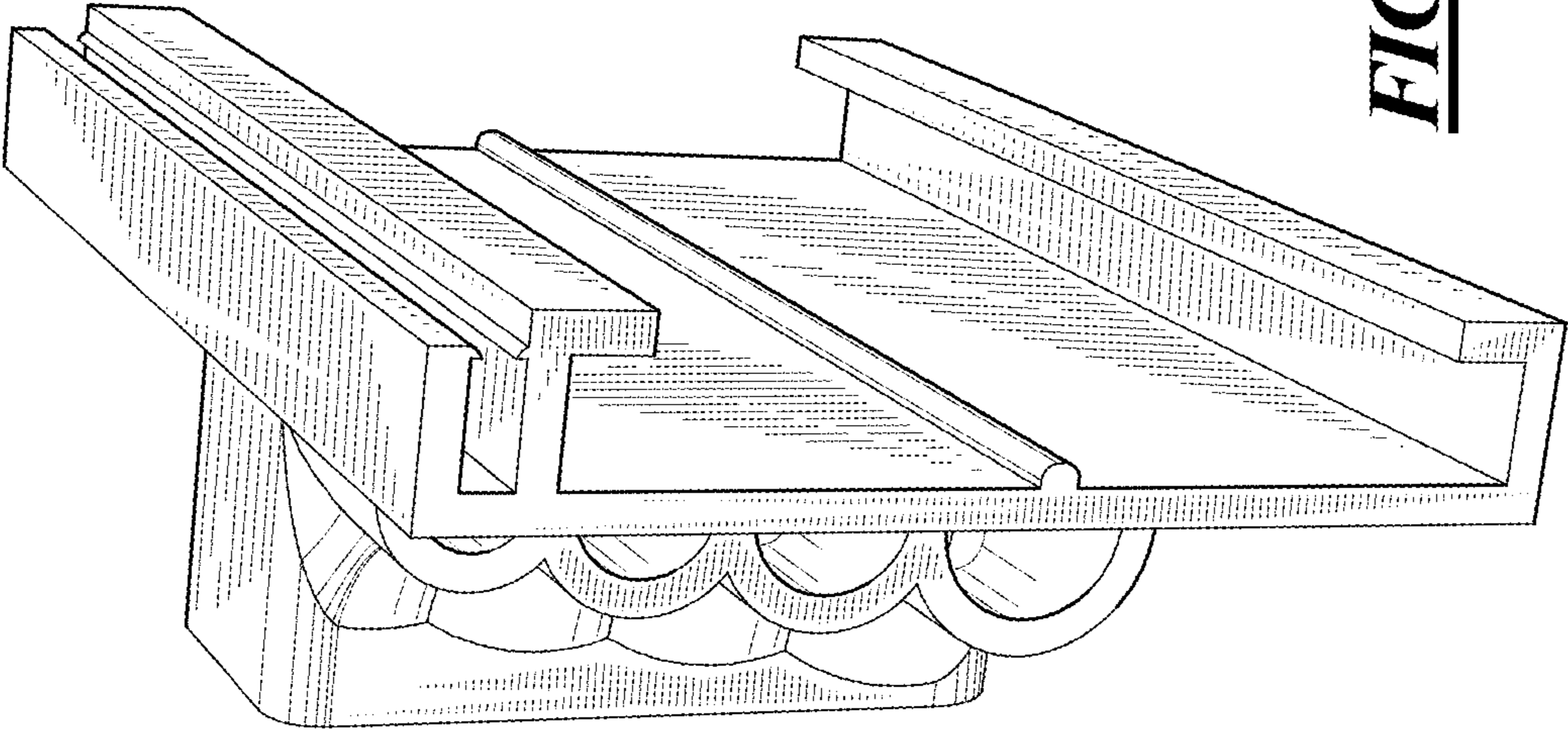


**FIG. 2**

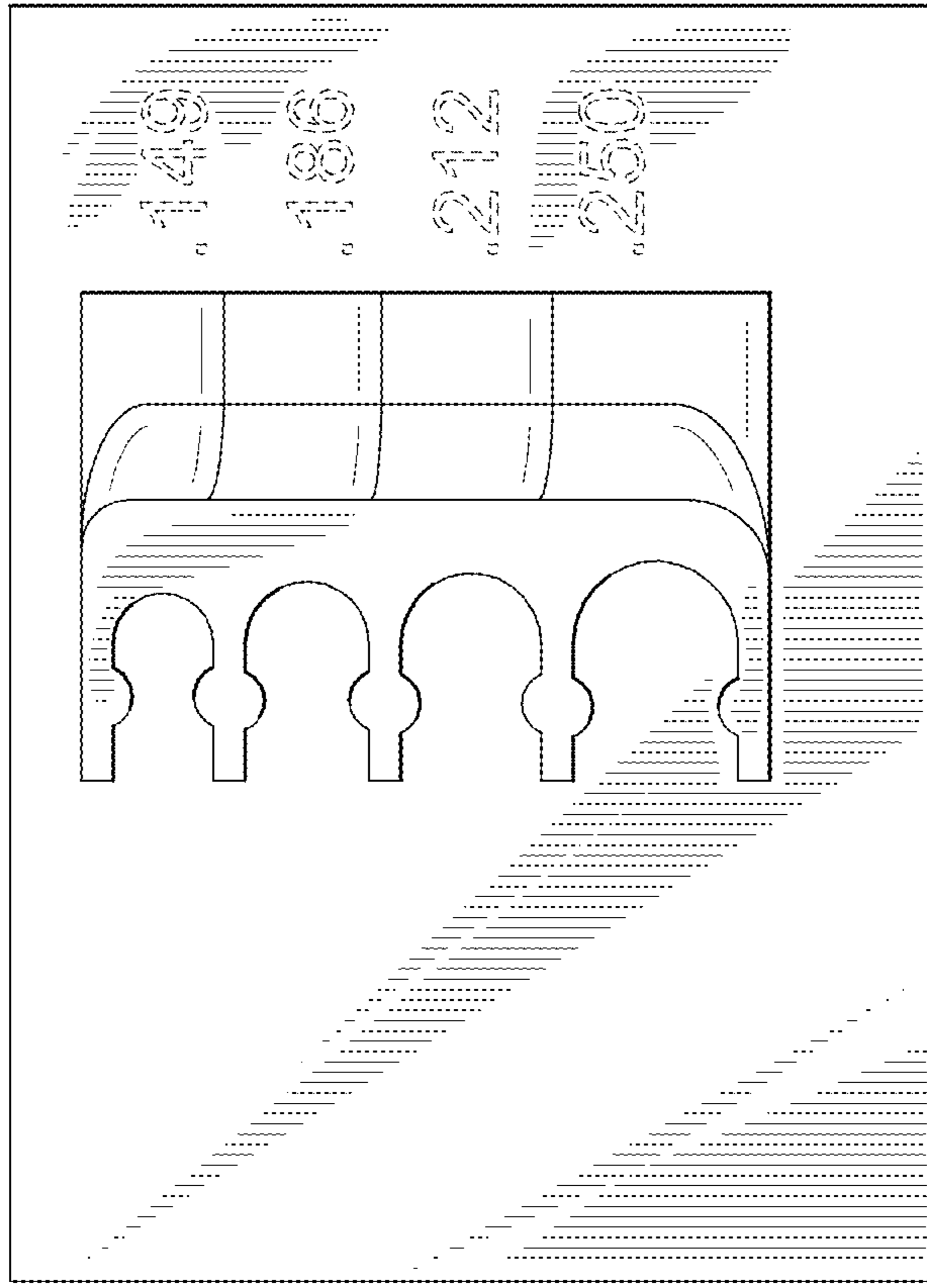
**FIG. 4**



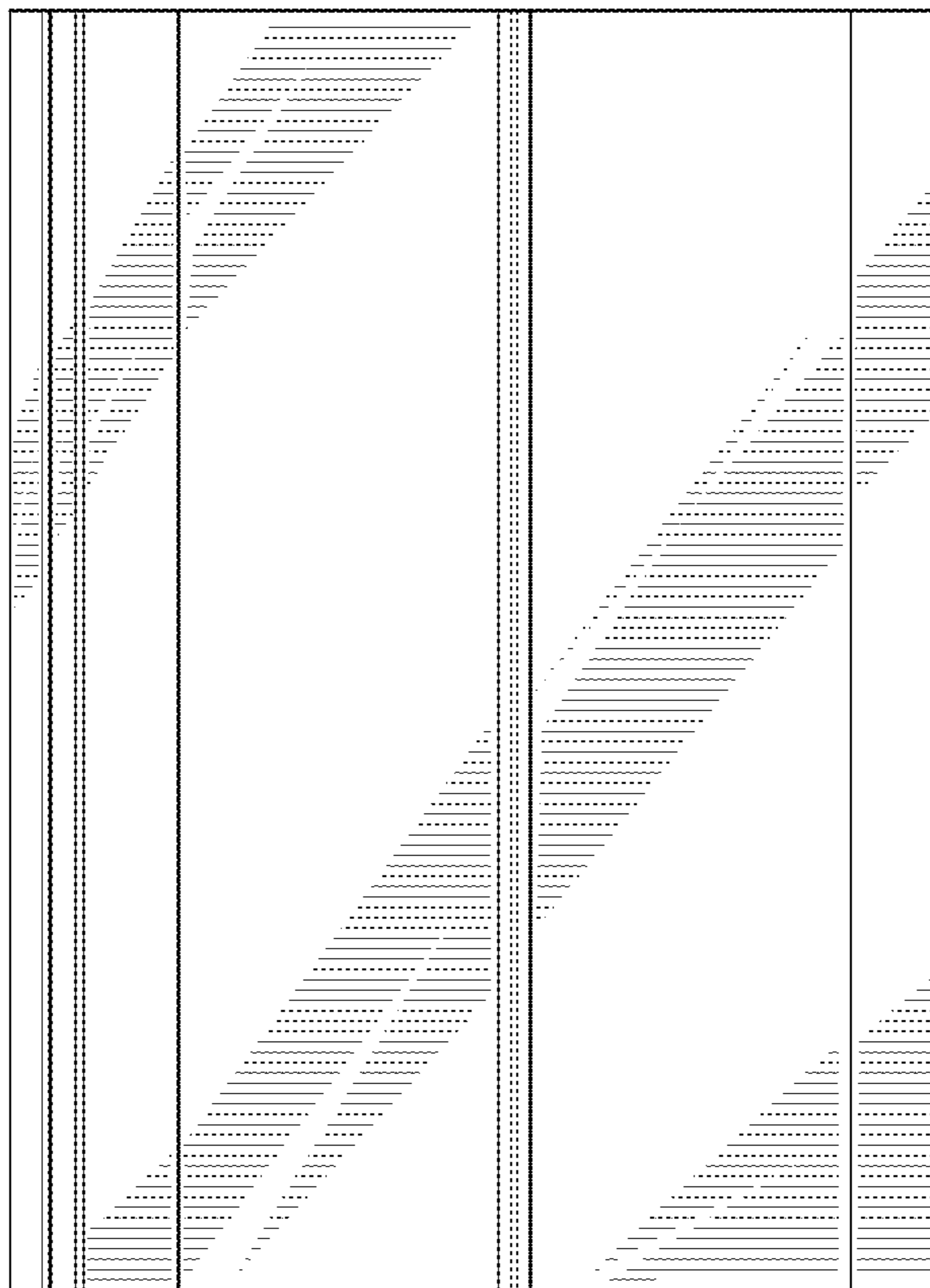
**FIG. 3**

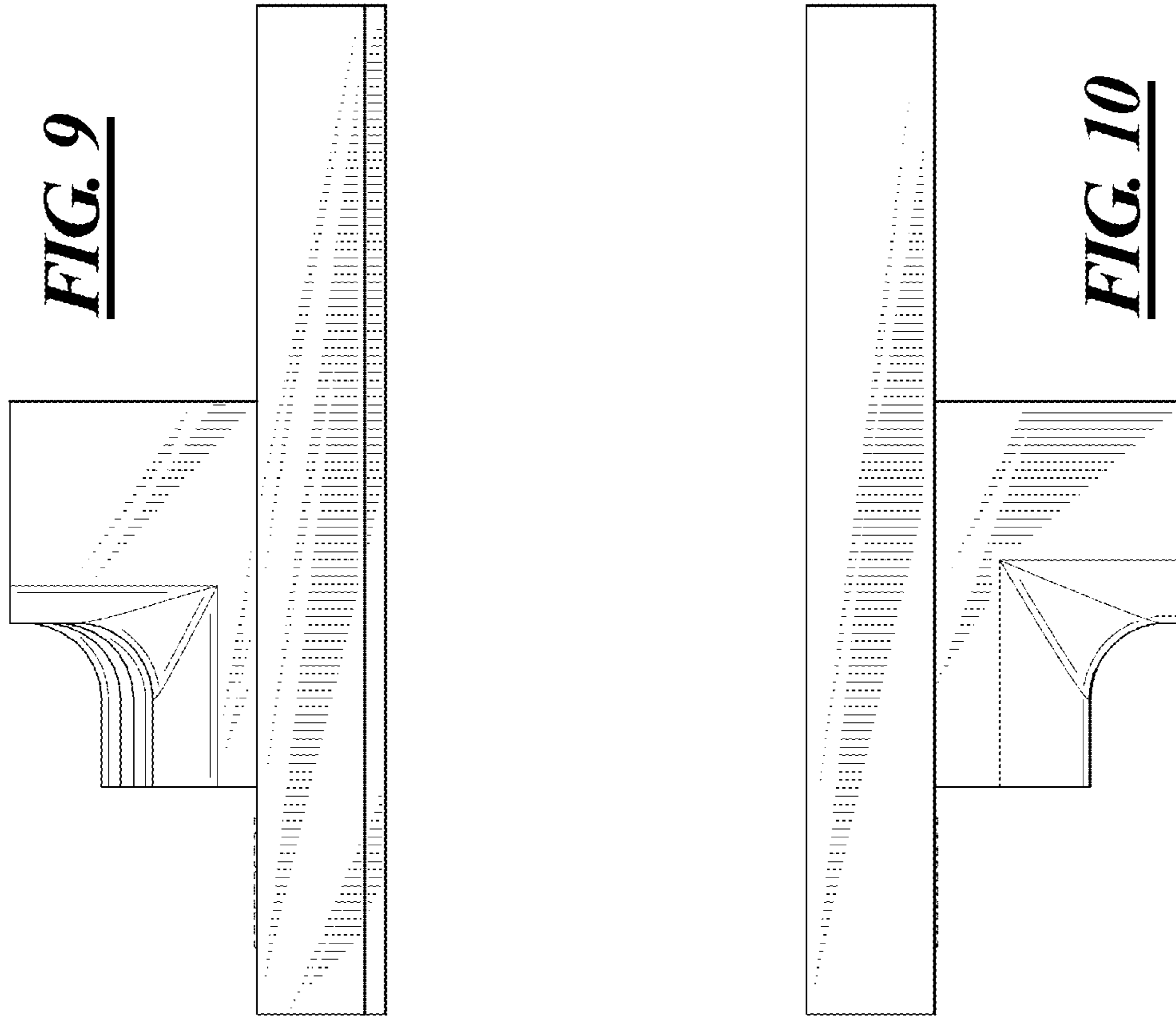


**FIG. 6**

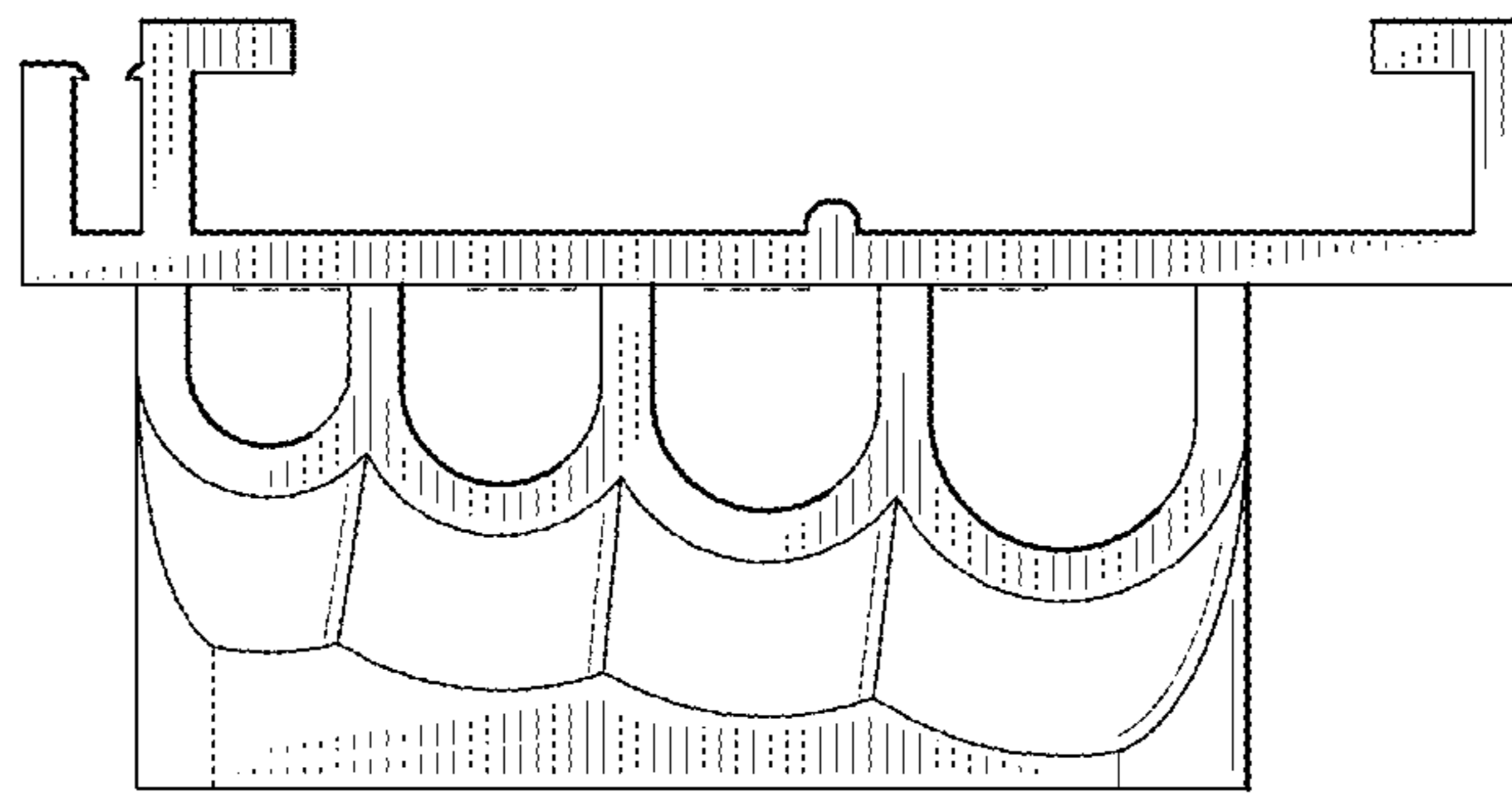


**FIG. 5**





**FIG. 8**



**FIG. 7**

