



US00D915516S

(12) **United States Design Patent**  
**White et al.**

(10) **Patent No.:** **US D915,516 S**  
(45) **Date of Patent:** **\*\* Apr. 6, 2021**

(54) **ELECTRONIC LABEL FLIP HOLDER FOR T-SCAN HOOK**

(71) Applicant: **K-International, Inc.**, Waukegan, IL (US)

(72) Inventors: **Michael J. White**, Green Lake, WI (US); **Michael L. Sisko**, Kenosha, WI (US)

(73) Assignee: **K-International, Inc.**, Waukegan, IL (US)

(\*\*) Term: **15 Years**

(21) Appl. No.: **29/726,739**

(22) Filed: **Mar. 5, 2020**

**Related U.S. Application Data**

(63) Continuation-in-part of application No. 16/536,596, filed on Aug. 9, 2019, now Pat. No. 10,706,749.

(51) **LOC (13) Cl.** ..... **20-03**

(52) **U.S. Cl.**  
USPC ..... **D20/43**; D20/44

(58) **Field of Classification Search**  
USPC ..... D6/325, 328; D8/321, 349, 354, 355, D8/366, 371, 373, 380, 381, 400; D20/10, 42-44, 99; D25/119  
CPC ..... G09F 7/16; G09F 2007/122; G09F 13/00; G09F 13/04; G09F 13/06; G09F 13/18; G09F 13/22; G09F 13/24; G09F 13/26; G09F 2013/1895; G09F 15/00; B29C 65/52; B29C 65/56; B23P 19/00; B32B 37/02; B32B 38/00

See application file for complete search history.

(56) **References Cited**

**U.S. PATENT DOCUMENTS**

D141,048 S \* 5/1945 Ketchum, Jr. .... D25/119  
6,035,569 A 3/2000 Nagel et al.

6,119,990 A 9/2000 Kump et al.  
D453,798 S \* 2/2002 Gray ..... D20/43  
D473,662 S \* 4/2003 Shaw ..... D25/119  
6,553,702 B1 4/2003 Bacnik

(Continued)

**OTHER PUBLICATIONS**

K International Catalog No. 16, p. 109—Part Nos. 108742 and 108786, Published Oct. 2018.

*Primary Examiner* — Mary Ann Calabrese

*Assistant Examiner* — Catherine Ho

(74) *Attorney, Agent, or Firm* — Schiff Hardin LLP

(57) **CLAIM**

The ornamental design for an electronic label flip holder for t-scan hook, as shown and described.

**DESCRIPTION**

FIG. 1 is a view of an electronic label flip holder for t-scan hook in an environment of use;

FIG. 2 is a perspective view taken from the front, top, left side of the electronic label flip holder for t-scan hook showing our new design;

FIG. 3 is a perspective view taken from the back, bottom, right side thereof;

FIG. 4 is a front elevational view thereof;

FIG. 5 is a back elevational view thereof;

FIG. 6 is a side elevation view from the right-hand side thereof;

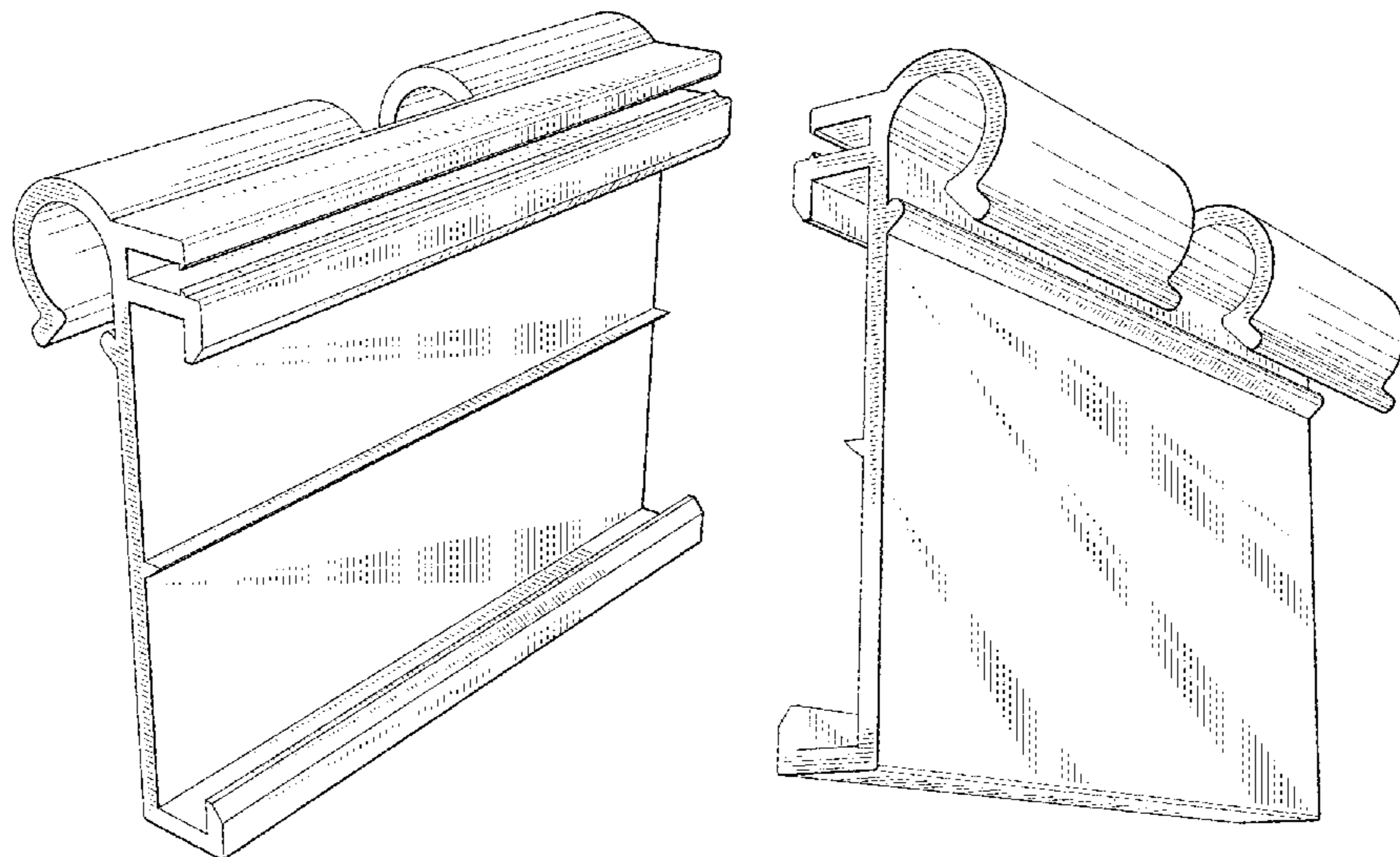
FIG. 7 is a side elevation view from the left-hand side thereof;

FIG. 8 is a top plan view thereof; and,

FIG. 9 is a bottom plan view thereof.

The broken lines in FIG. 1 illustrate the environment, including an electronic price module and a scan hook product display, in which the electronic label flip holder for t-scan hook may be used and form no part of the claimed design.

**1 Claim, 4 Drawing Sheets**



(56)

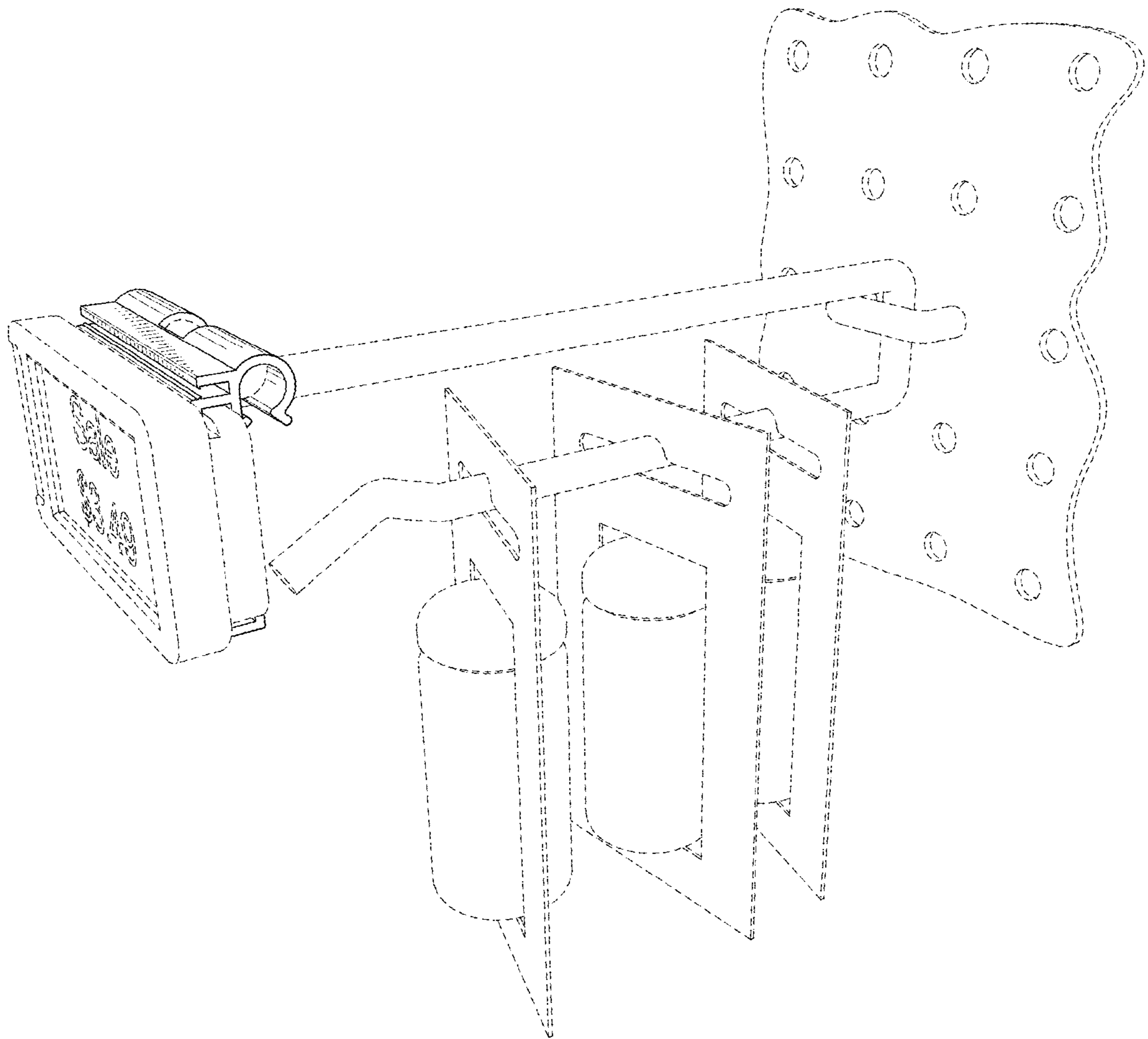
References Cited

U.S. PATENT DOCUMENTS

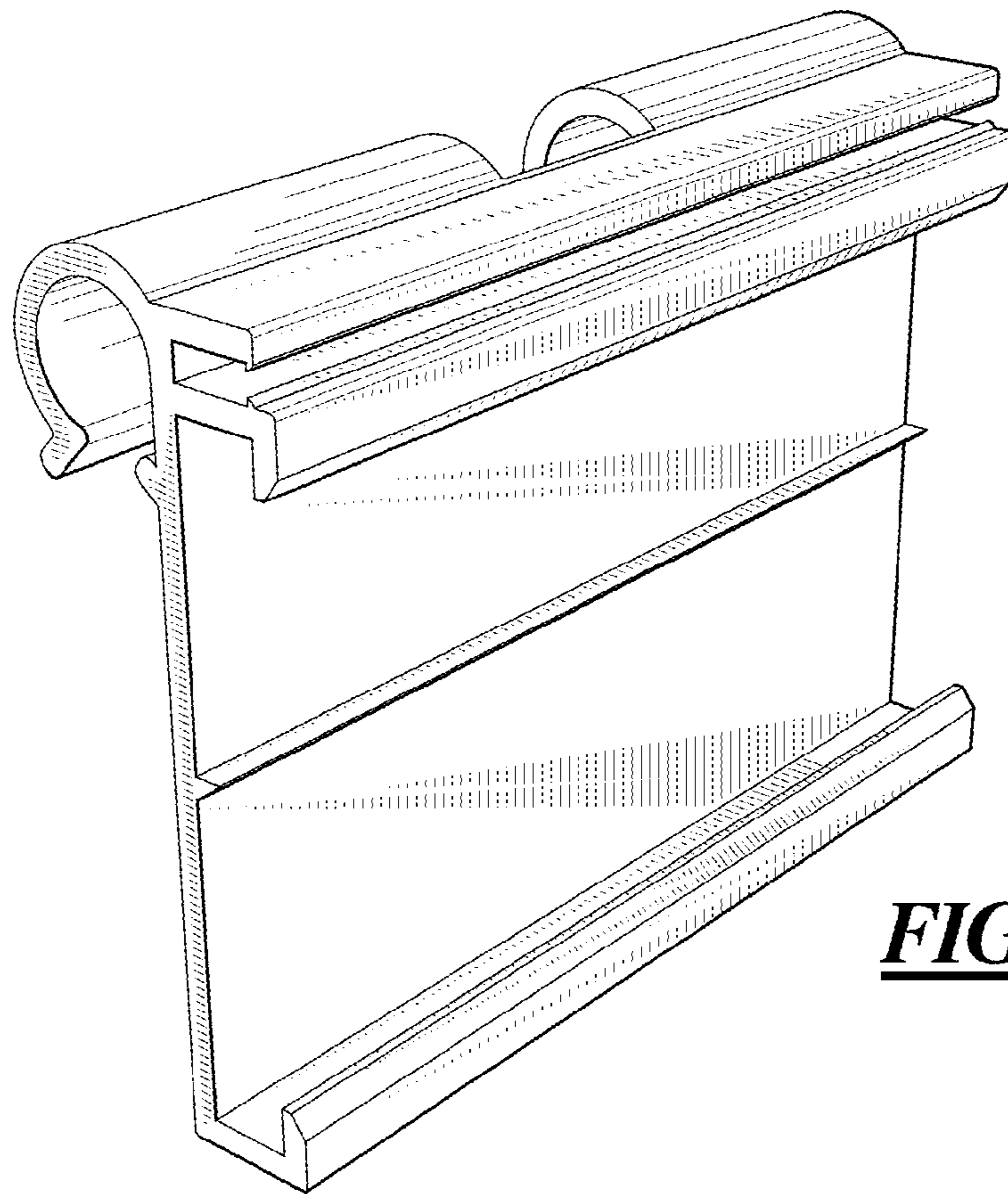
|              |      |         |                 |                           |
|--------------|------|---------|-----------------|---------------------------|
| D476,375     | S *  | 6/2003  | Zadak .....     | D20/43                    |
| D485,582     | S *  | 1/2004  | Valiulis .....  | D20/44                    |
| D487,115     | S *  | 2/2004  | Kosir .....     | D20/43                    |
| 6,935,062    | B2   | 8/2005  | Lowry et al.    |                           |
| 7,455,081    | B2   | 11/2008 | Bacnik          |                           |
| D645,095     | S *  | 9/2011  | Garfinkle ..... | D20/44                    |
| D693,483     | S *  | 11/2013 | Krieger .....   | E04F 13/0826<br>D25/119   |
| D732,702     | S *  | 6/2015  | Gallien .....   | D25/119                   |
| D791,360     | S *  | 7/2017  | Singh .....     | D25/119                   |
| D791,361     | S *  | 7/2017  | Singh .....     | D25/119                   |
| D829,823     | S *  | 10/2018 | White .....     | D20/43                    |
| D830,813     | S *  | 10/2018 | Garfinkle ..... | D8/354                    |
| D853,589     | S *  | 7/2019  | Jackson .....   | D25/119                   |
| D858,721     | S *  | 9/2019  | Gori .....      | D23/267                   |
| D859,140     | S *  | 9/2019  | Kovacs .....    | D8/499                    |
| D859,610     | S *  | 9/2019  | Gori .....      | D23/267                   |
| D872,884     | S *  | 1/2020  | Carter .....    | D25/119                   |
| D874,025     | S *  | 1/2020  | Kittur .....    | D25/119                   |
| D875,898     | S *  | 2/2020  | Gori .....      | D23/267                   |
| D891,904     | S *  | 8/2020  | Naugler .....   | D8/349                    |
| D892,602     | S *  | 8/2020  | White .....     | D8/380                    |
| D899,523     | S *  | 10/2020 | Rollins .....   | D20/43                    |
| D899,632     | S *  | 10/2020 | Roberts .....   | D25/119                   |
| D902,693     | S *  | 11/2020 | Freeman .....   | D8/349                    |
| 2005/0133676 | A1 * | 6/2005  | Brinkman .....  | A47F 5/0869<br>248/223.41 |

\* cited by examiner

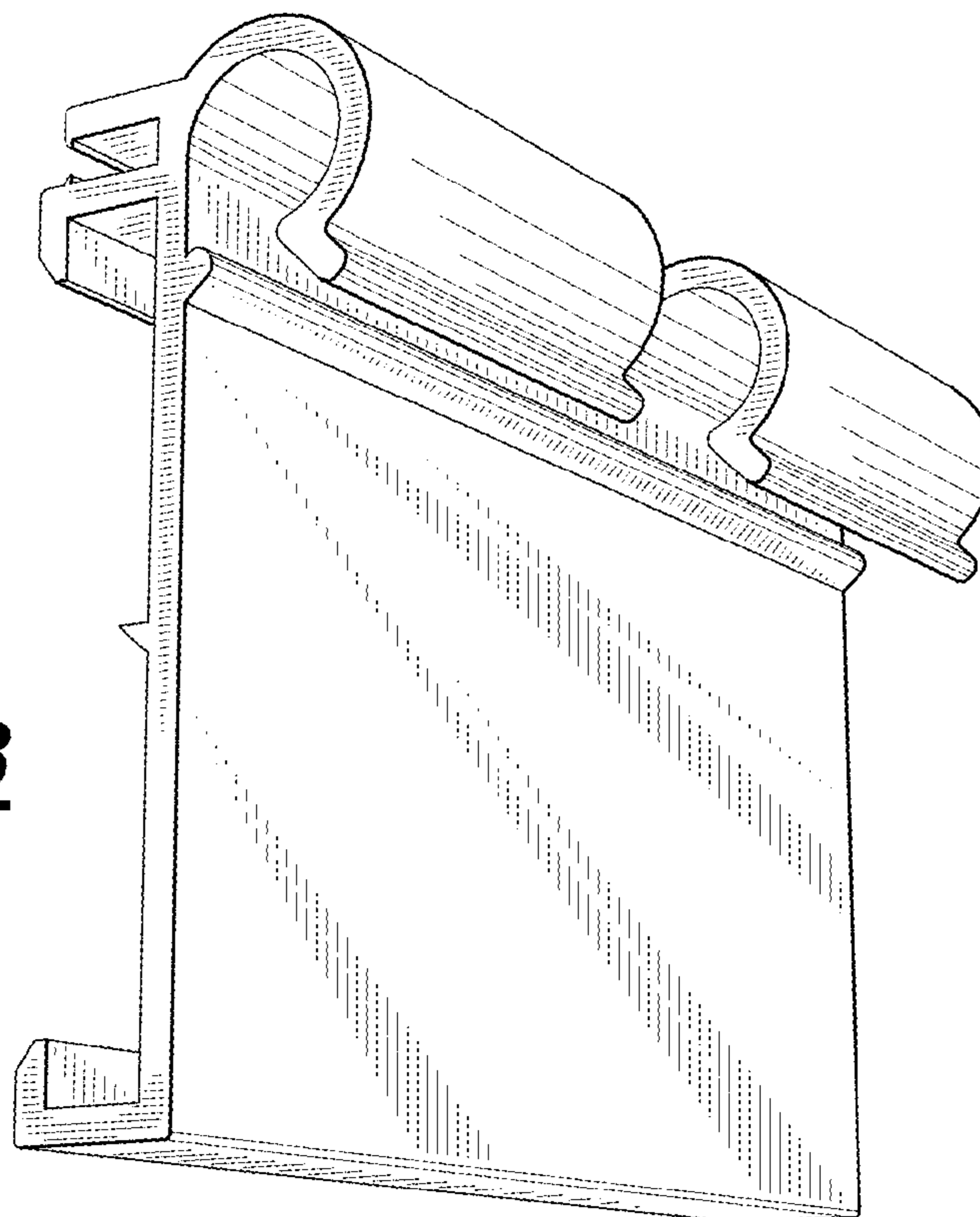
**FIG. 1**





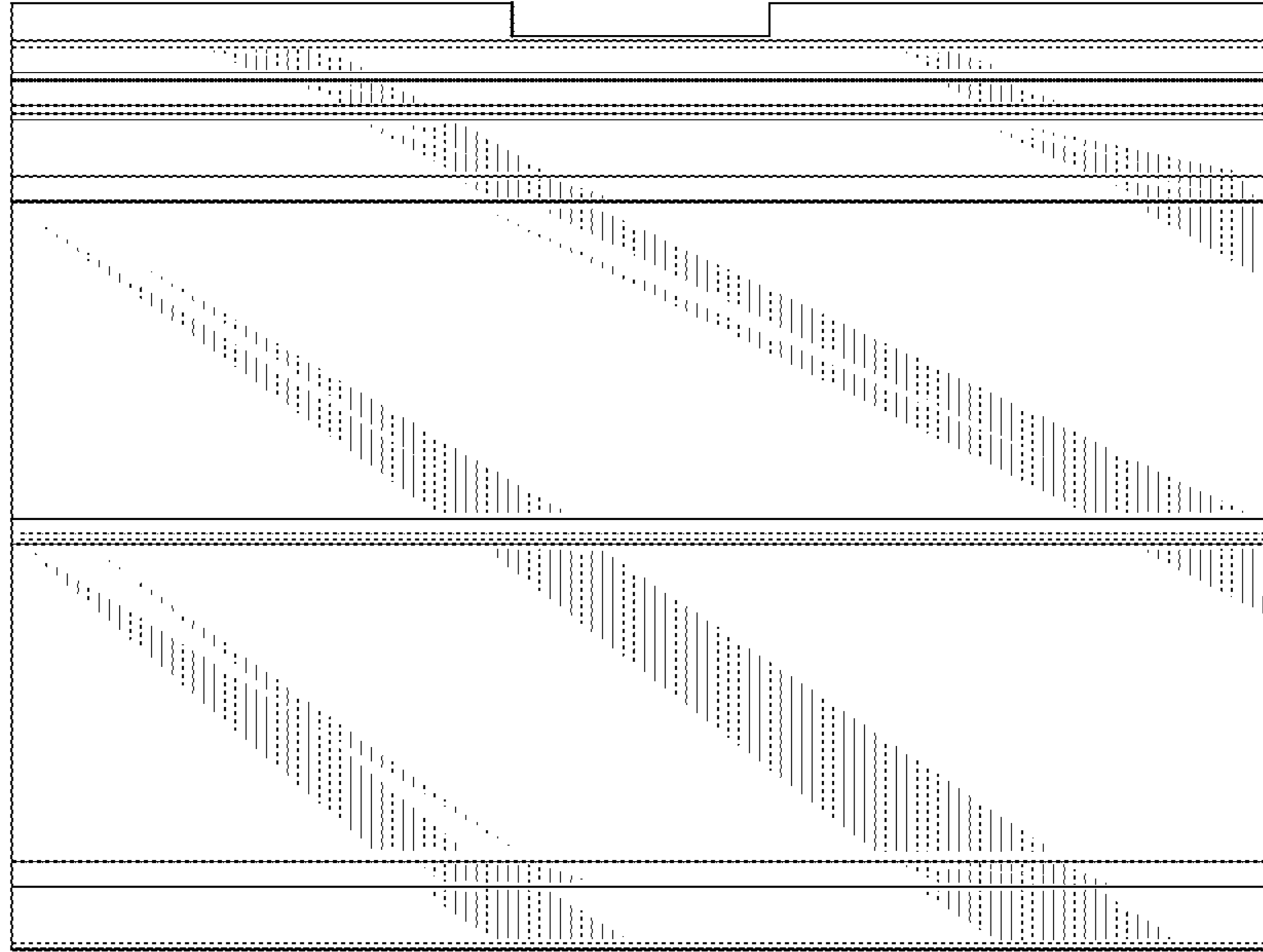


**FIG. 2**

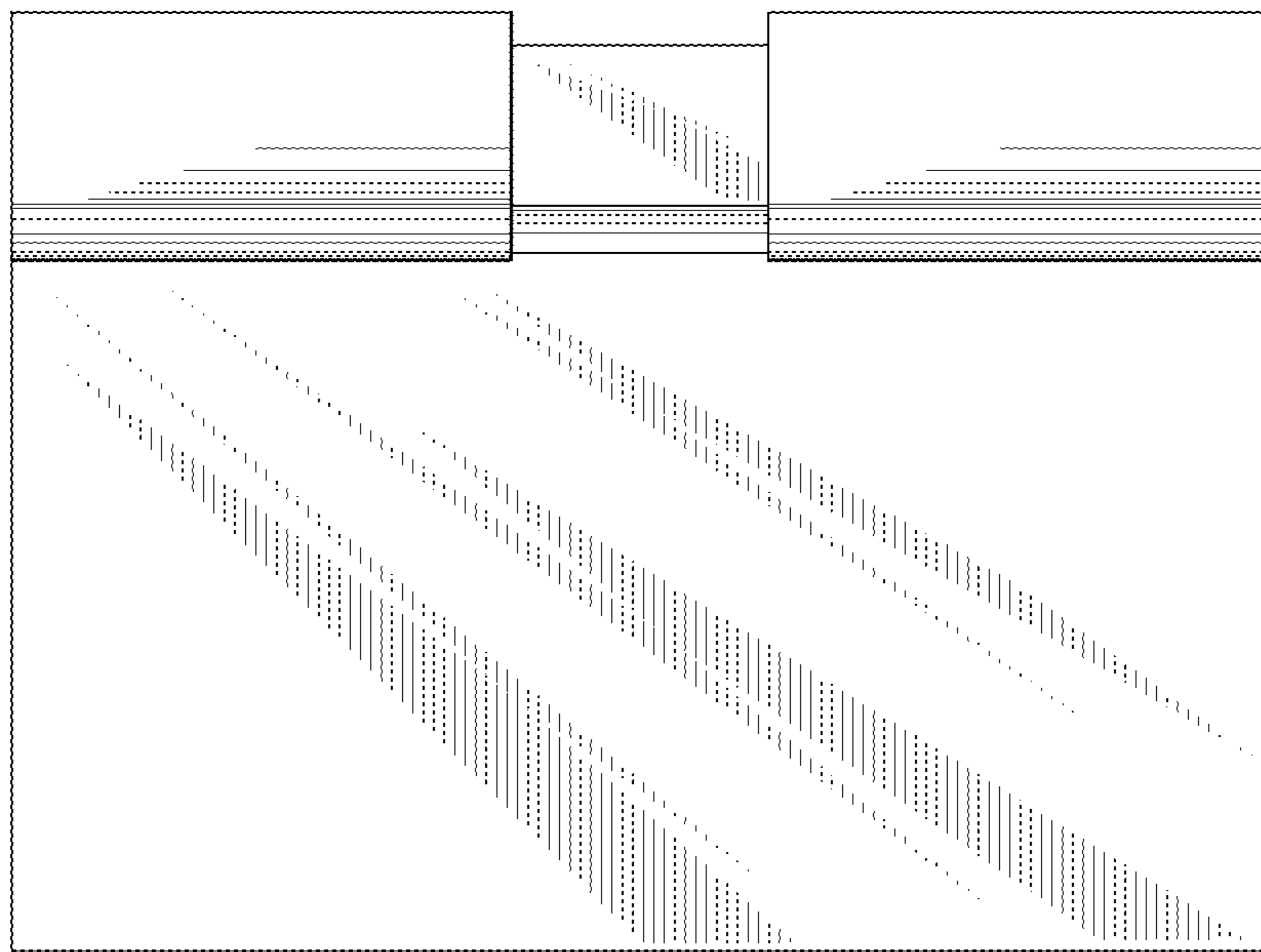


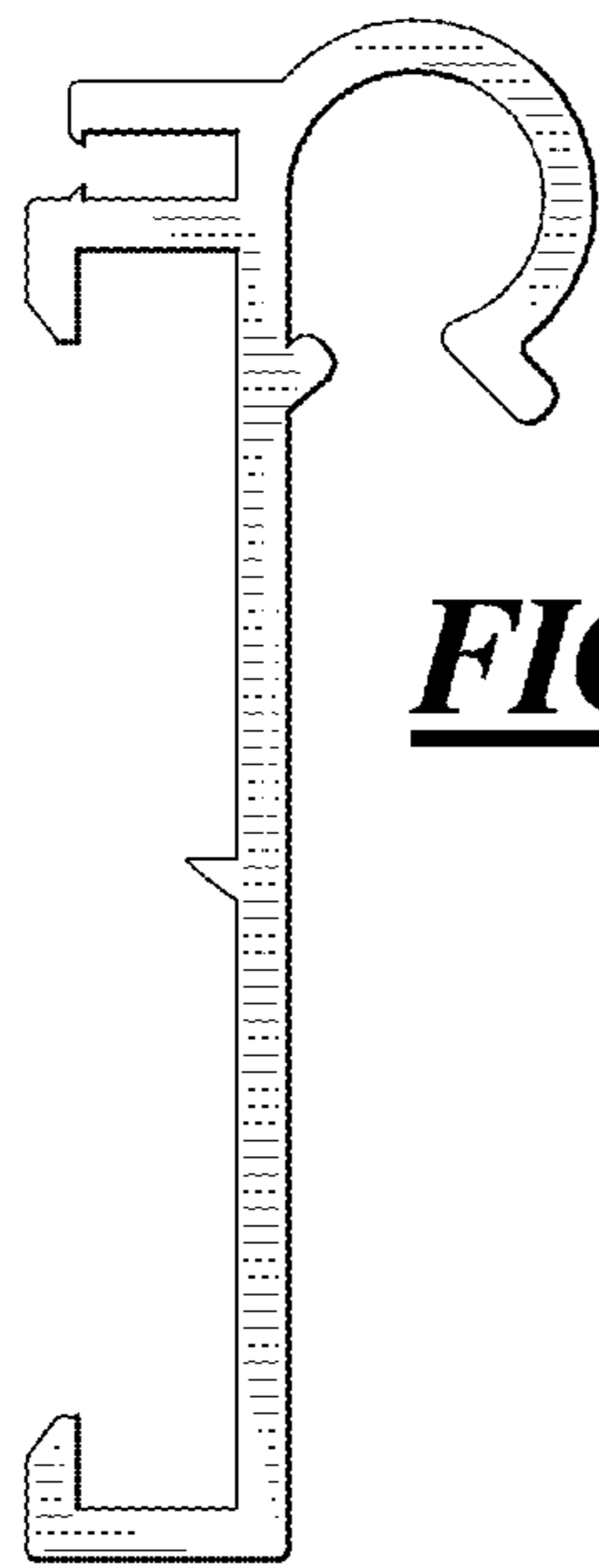
**FIG. 3**

**FIG. 4**

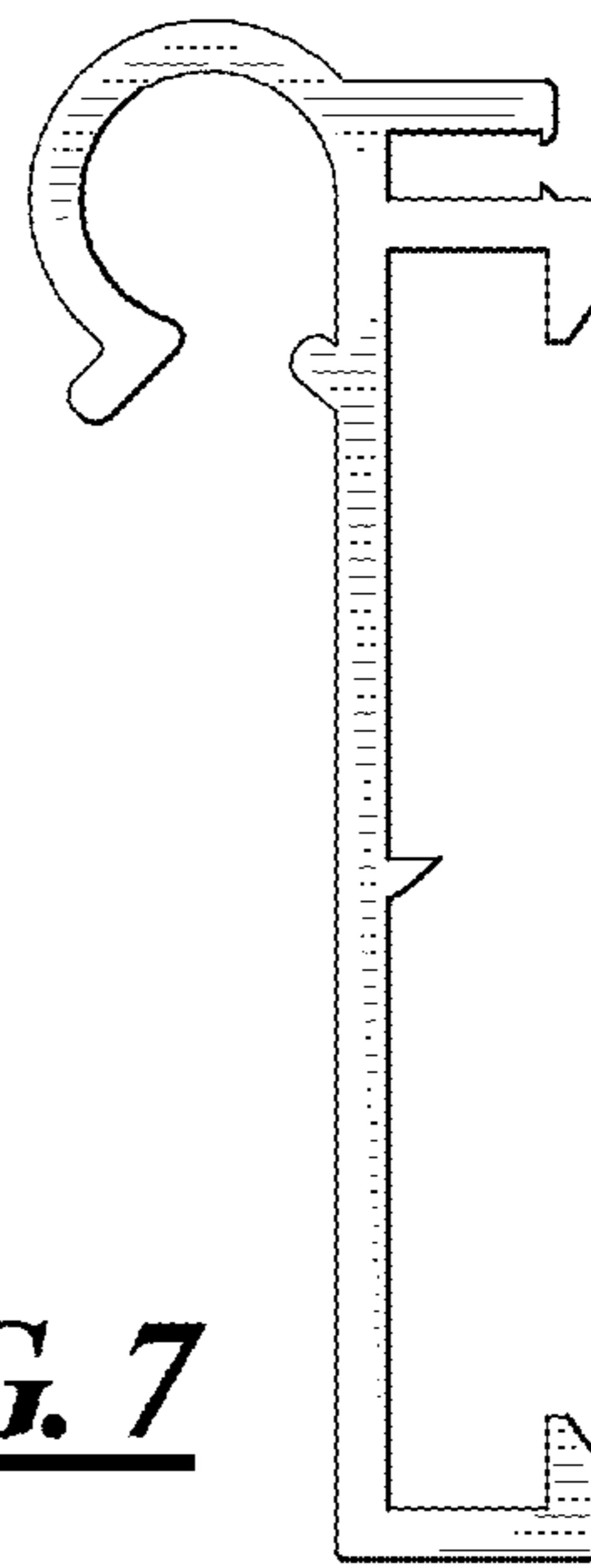


**FIG. 5**



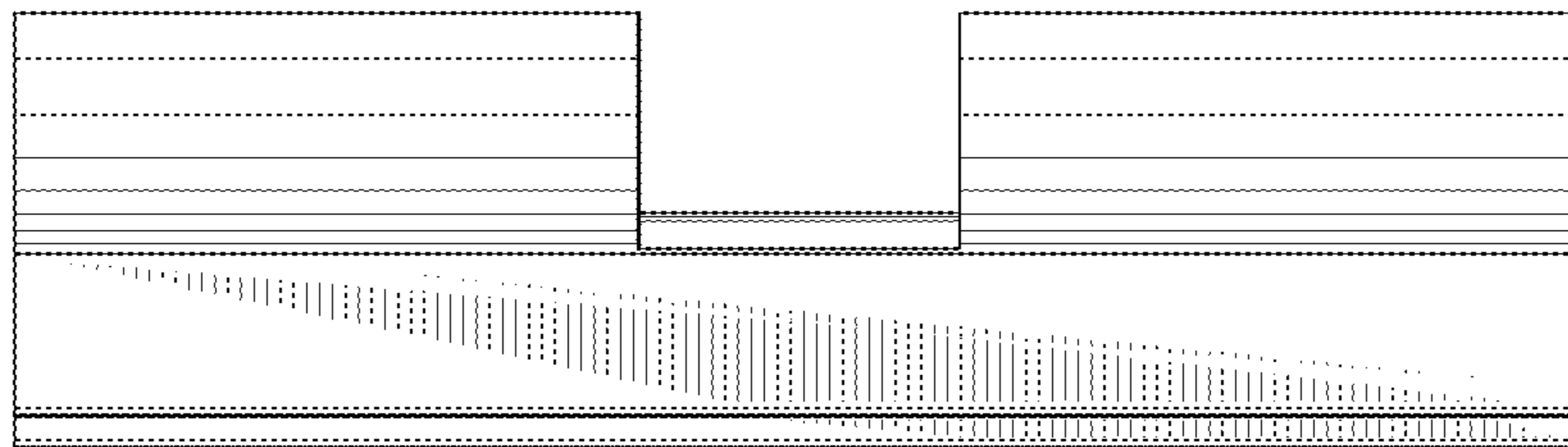


**FIG. 6**



**FIG. 7**

**FIG. 8**



**FIG. 9**

