



US00D915515S

(12) **United States Design Patent** (10) **Patent No.:** **US D915,515 S**
Pelton et al. (45) **Date of Patent:** **** Apr. 6, 2021**

(54) **TAG WITH BAND**

(56) **References Cited**

(71) Applicant: **TARGET BRANDS, INC.**,
Minneapolis, MN (US)

(72) Inventors: **Christine Pelton**, Minneapolis, MN
(US); **Ryan G. Salow**, Minneapolis,
MN (US)

(73) Assignee: **TARGET BRANDS, INC.**,
Minneapolis, MN (US)

(**) Term: **15 Years**

(21) Appl. No.: **29/637,474**

(22) Filed: **Feb. 19, 2018**

(51) **LOC (13) Cl.** **19-08**

(52) **U.S. Cl.**
USPC **D20/27**

(58) **Field of Classification Search**
USPC D3/318; D11/3, 5; D6/589, 591, 596,
D6/598, 599, 602, 603, 606, 608, 609,
D6/614, 620; D10/109.1, 109.2, 113.4;
D26/31; D20/10, 11, 19, 22-28, 40, 99;
5/492, 636; 40/368, 446, 452, 453, 488,
40/538, 541, 542, 545-548, 563, 564,
40/568, 570-574, 582, 584, 594, 596,
40/600, 605, 615, 617, 618, 624;
206/494; 362/217, 551, 559, 562, 565,
362/806, 811, 812
CPC A45C 13/18; A45C 13/38; A45C 13/385;
A45C 13/42; A45C 5/14; B65H 75/28;
B65H 75/285; B65H 75/4473; B65H
75/52; B65H 2701/34; B65H 2701/3919;
H01R 13/72; G09F 3/14; G09F 23/00;
G09F 2003/0282; G09F 7/16; G09F
2007/122; G09F 13/00; G09F 13/04;
G09F 13/06; G09F 13/18; G09F 13/22;
G09F 13/24; G09F 13/26; G09F
2013/1895; G09F 15/00; Y10T 24/1402
See application file for complete search history.

U.S. PATENT DOCUMENTS

219,609 A * 9/1879 Weaver B65D 63/1018
24/17 A

381,879 A * 4/1888 Howard B65D 63/10
24/17 R

683,476 A * 10/1901 Meacham, Jr. B65D 63/1018
24/17 A

738,462 A * 9/1903 Lincoln A45F 5/10
294/146

999,300 A * 8/1911 Collins B65D 63/10
24/17 R

1,192,152 A * 7/1916 Atkinson B65D 63/10
24/17 R

1,328,019 A 1/1920 Stewart

1,345,782 A 7/1920 Keller

1,526,867 A * 2/1925 Peterson A45C 13/185
24/3.5

1,960,690 A * 5/1934 Blair B42F 1/00
40/665

2,054,227 A 9/1936 Nichols

3,059,359 A * 10/1962 Goldammer G09F 3/005
40/633

3,585,743 A * 6/1971 Jeffers A01K 27/006
40/665

3,879,870 A * 4/1975 Bachand A01K 11/00
40/665

4,726,509 A * 2/1988 Fonas B65D 5/4262
206/457

4,982,885 A * 1/1991 Severson A45C 13/30
224/250

5,242,237 A * 9/1993 Wagner B42F 13/0006
24/200

5,279,019 A * 1/1994 Knickle A45C 1/06
24/17 B

5,367,752 A * 11/1994 Petty B65D 63/109
24/17 B

5,535,928 A * 7/1996 Herring A45F 5/021
224/250

5,586,707 A * 12/1996 Haskell A63B 71/0672
224/242

D378,221 S * 2/1997 Issler D20/22

5,848,488 A 12/1998 Norwood

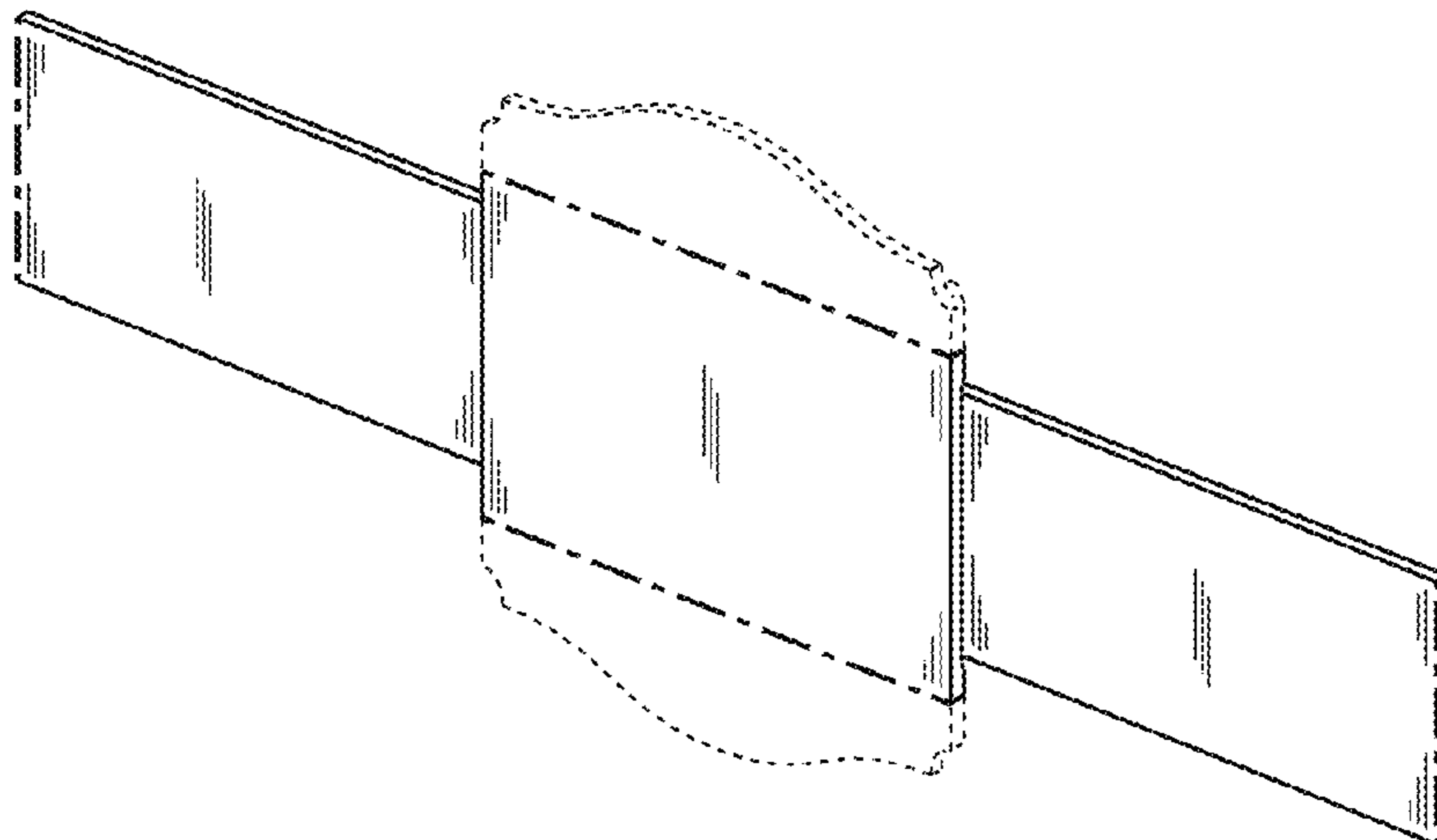
6,915,601 B2 7/2005 Davis et al.

6,915,602 B2 7/2005 Davis et al.

D527,898 S * 9/2006 Tavone D3/247

7,125,049 B2 * 10/2006 Goldberg B42D 9/004
281/42

D543,589 S * 5/2007 Henley D20/22



7,454,854	B2 *	11/2008	Riley	B42D 15/00 283/75
7,464,975	B1 *	12/2008	Cox	A45C 11/24 294/138
D585,643	S *	2/2009	Preston-Hall	D3/247
D587,455	S *	3/2009	Goss	D3/315
7,516,569	B2	4/2009	Garcia	
D595,348	S *	6/2009	Joseph	D19/1
7,640,632	B2 *	1/2010	Lazarus	A45C 1/02 150/143
7,763,135	B1 *	7/2010	Maltas	G09F 3/14 156/70
7,971,324	B2 *	7/2011	Preston-Hall	A45C 1/08 150/900
D645,085	S *	9/2011	Jung	D19/65
D656,544	S *	3/2012	Bensoussan	D19/34
D660,364	S *	5/2012	Clark	D20/22
8,231,001	B2 *	7/2012	Boon	B65D 5/4245 206/459.1
8,439,199	B2	5/2013	Ravary et al.	
D700,659	S	3/2014	Ellison	
D701,043	S *	3/2014	Minn	D3/247
D707,584	S *	6/2014	Webb	D11/87
D721,610	S *	1/2015	Tavone	D11/78.1
8,936,155	B2	1/2015	Ravary et al.	
D729,109	S *	5/2015	Tavone	D11/78.1
D729,685	S *	5/2015	Tavone	D11/78.1
D729,686	S *	5/2015	Tavone	D11/78.1
D734,392	S *	7/2015	Quehl	D19/34
D734,393	S *	7/2015	Quehl	D19/34
9,125,464	B2 *	9/2015	Minn	A45C 1/06
D745,274	S *	12/2015	Minn	D3/247
D750,886	S *	3/2016	Webb	D3/208
D754,973	S *	5/2016	Danze	D3/318
D762,263	S *	7/2016	Canchola	D20/27
D765,534	S *	9/2016	Schone	D11/3
D766,712	S *	9/2016	Bertram	D8/394
D772,984	S *	11/2016	Canchola	D20/22
D781,100	S *	3/2017	Beller	D7/387
D807,636	S *	1/2018	Chamberlain	D3/247
D823,710	S *	7/2018	Schone	D11/86
D856,090	S *	8/2019	Anderson	D7/619.1
D856,680	S *	8/2019	Acosta Favati	D3/318
10,607,510	B2 *	3/2020	Milbrandt	G09F 3/02
2005/0000136	A1	1/2005	Davis et al.	
2005/0173073	A1 *	8/2005	Chernoff	G09F 3/14 156/556
2005/0205435	A1 *	9/2005	Loy	A45C 11/182 206/37
2012/0074021	A1	3/2012	Ravary et al.	
2012/0125797	A1	5/2012	Foye et al.	
2013/0074544	A1 *	3/2013	Lans	G09F 3/005 63/1.13
2014/0041160	A1 *	2/2014	Bowman	B31D 1/0056 24/16 R
2015/0108082	A1 *	4/2015	Brown Boyle	G09F 3/14 215/386
2016/0122154	A1 *	5/2016	Walker	B65H 75/285 242/405.1

OTHER PUBLICATIONS

“Trickery and Target.” thewonderfullymade.blogspot.com. Aug. 6, 2013. Accessed Jun. 19, 2020. Available online at URL: <http://thewonderfullymade.blogspot.com/2013/08/trickery-and-target.html> (Year: 2013).*

“Dritz Knit Elastic Black 3"×2 Yds.” joann.com. Available Aug. 5, 2014. Accessed Jun. 19, 2020. Retrieved online via Internet Archive Wayback Machine at URL: <https://web.archive.org/web/20140805200031/http://www.joann.com/black-knit-elastic/11384385.html> (Year: 2014).*

Photos of Packaging Solutions on Products, offered for sale in Target stores prior to Oct. 2017 (2 pages).

* cited by examiner

Primary Examiner — Christian P. McLean
(74) Attorney, Agent, or Firm — JoAnn M. Seaton;
Griffiths & Seaton PLLC

(57) CLAIM

The ornamental design for a tag with band, as shown and described.

DESCRIPTION

FIG. 1 is a front, perspective view of a tag with band showing one embodiment of our new design;
FIG. 2 is a rear, perspective view thereof;
FIG. 3 is a front view thereof;
FIG. 4 is a rear view thereof;
FIG. 5 is a right side view thereof;
FIG. 6 is a left side view thereof;
FIG. 7 is a top view thereof; and
FIG. 8 is a bottom view thereof.
FIG. 9 is a front, perspective view of the tag with band of FIG. 1 shown in a non-claimed environment;
FIG. 10 is a front view thereof;
FIG. 11 is a back view thereof;
FIG. 12 is a right side view thereof;
FIG. 13 is a left side view thereof;
FIG. 14 is a top view thereof; and
FIG. 15 is a bottom view thereof.
FIG. 16 is a front, perspective view of a tag with band showing one embodiment of our new design;
FIG. 17 is a rear, perspective view thereof;
FIG. 18 is a front view thereof;
FIG. 19 is a rear view thereof;
FIG. 20 is a right side view thereof;
FIG. 21 is a left side view thereof;
FIG. 22 is a top view thereof; and
FIG. 23 is a bottom view thereof.
FIG. 24 is a front, perspective view of the tag with band of FIG. 16 shown in a non-claimed environment;
FIG. 25 is a front view thereof;
FIG. 26 is a back view thereof;
FIG. 27 is a right side view thereof;
FIG. 28 is a left side view thereof;
FIG. 29 is a top view thereof; and
FIG. 30 is a bottom view thereof.
FIG. 31 is a front, perspective view of a tag with band showing one embodiment of our new design;
FIG. 32 is a rear, perspective view thereof;
FIG. 33 is a front view thereof;
FIG. 34 is a rear view thereof;
FIG. 35 is a right side view thereof;
FIG. 36 is a left side view thereof;
FIG. 37 is a top view thereof; and
FIG. 38 is a bottom view thereof.
FIG. 39 is a front, perspective view of the tag with band of FIG. 31 shown in a non-claimed environment;
FIG. 40 is a front view thereof;
FIG. 41 is a back view thereof;
FIG. 42 is a right side view thereof;
FIG. 43 is a left side view thereof;
FIG. 44 is a top view thereof; and
FIG. 45 is a bottom view thereof.
FIG. 46 is a front, perspective view of a tag with band showing one embodiment of our new design;
FIG. 47 is a rear, perspective view thereof;
FIG. 48 is a front view thereof;

FIG. 49 is a rear view thereof;
FIG. 50 is a right side view thereof;
FIG. 51 is a left side view thereof;
FIG. 52 is a top view thereof; and
FIG. 53 is a bottom view thereof.
FIG. 54 is a front, perspective view of the tag with band of
FIG. 46 shown in a non-claimed environment;
FIG. 55 is a front view thereof;
FIG. 56 is a back view thereof;
FIG. 57 is a right side view thereof;
FIG. 58 is a left side view thereof;
FIG. 59 is a top view thereof; and,
FIG. 60 is a bottom view thereof.

The broken lines illustrate portions of the tag with band or environmental subject matter thereof that form no part of the claimed design. The features shown in long dash-short dash bolded broken lines indicate the bounds of the claimed design and otherwise form no part of the claimed design.

1 Claim, 36 Drawing Sheets

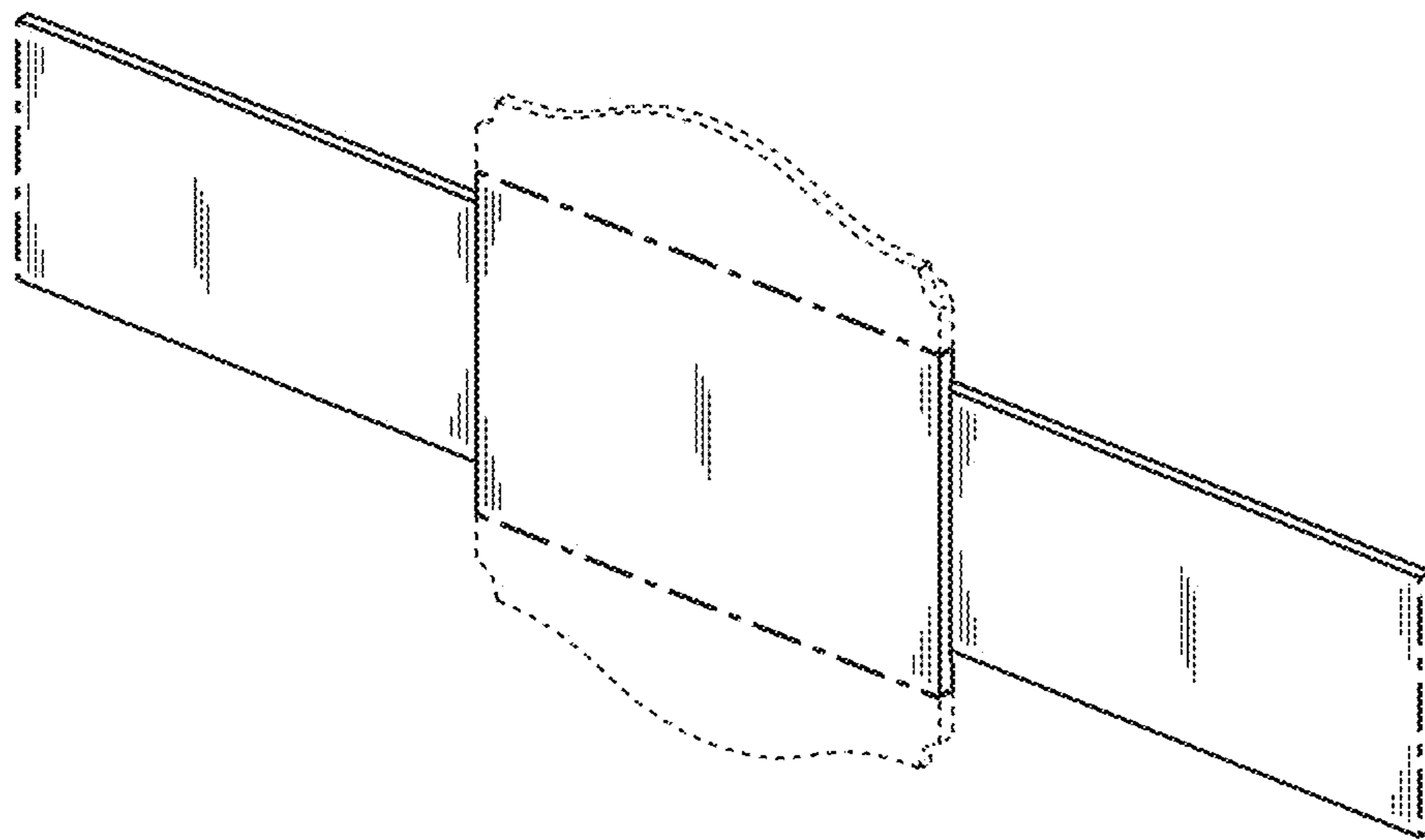


FIG. 1

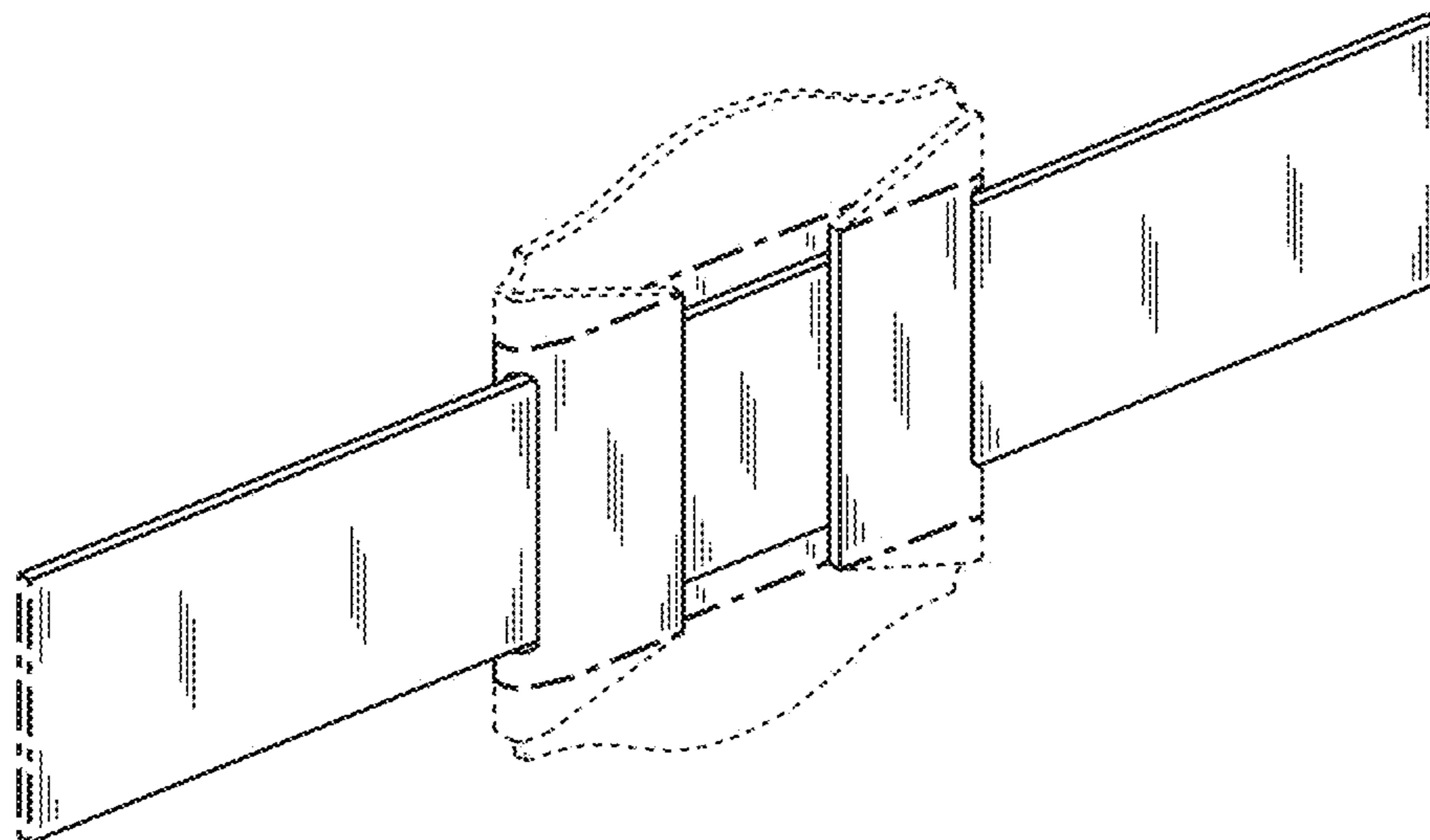


FIG. 2

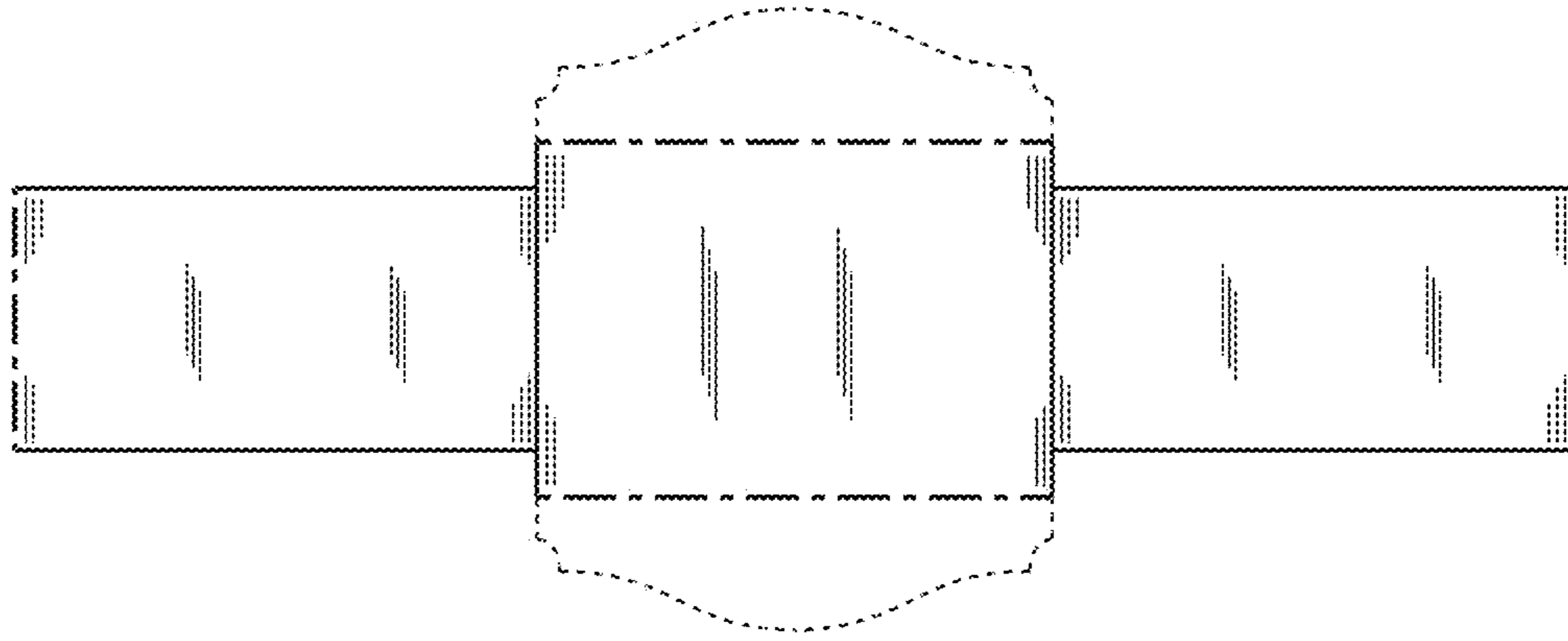


FIG. 3

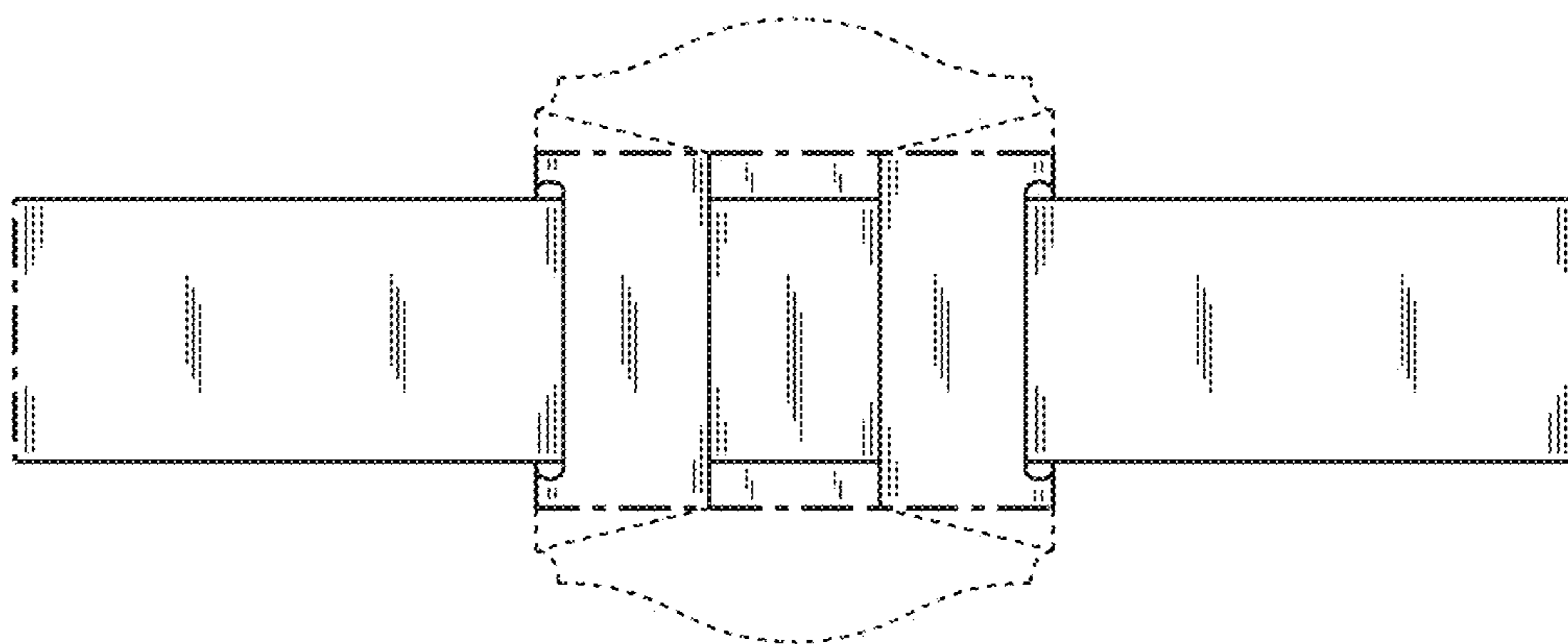


FIG. 4



FIG. 5



FIG. 6

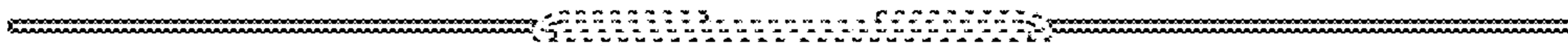


FIG. 7

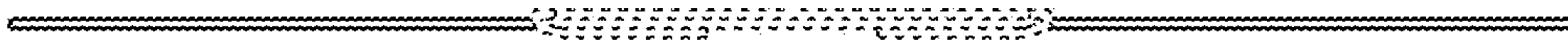


FIG. 8

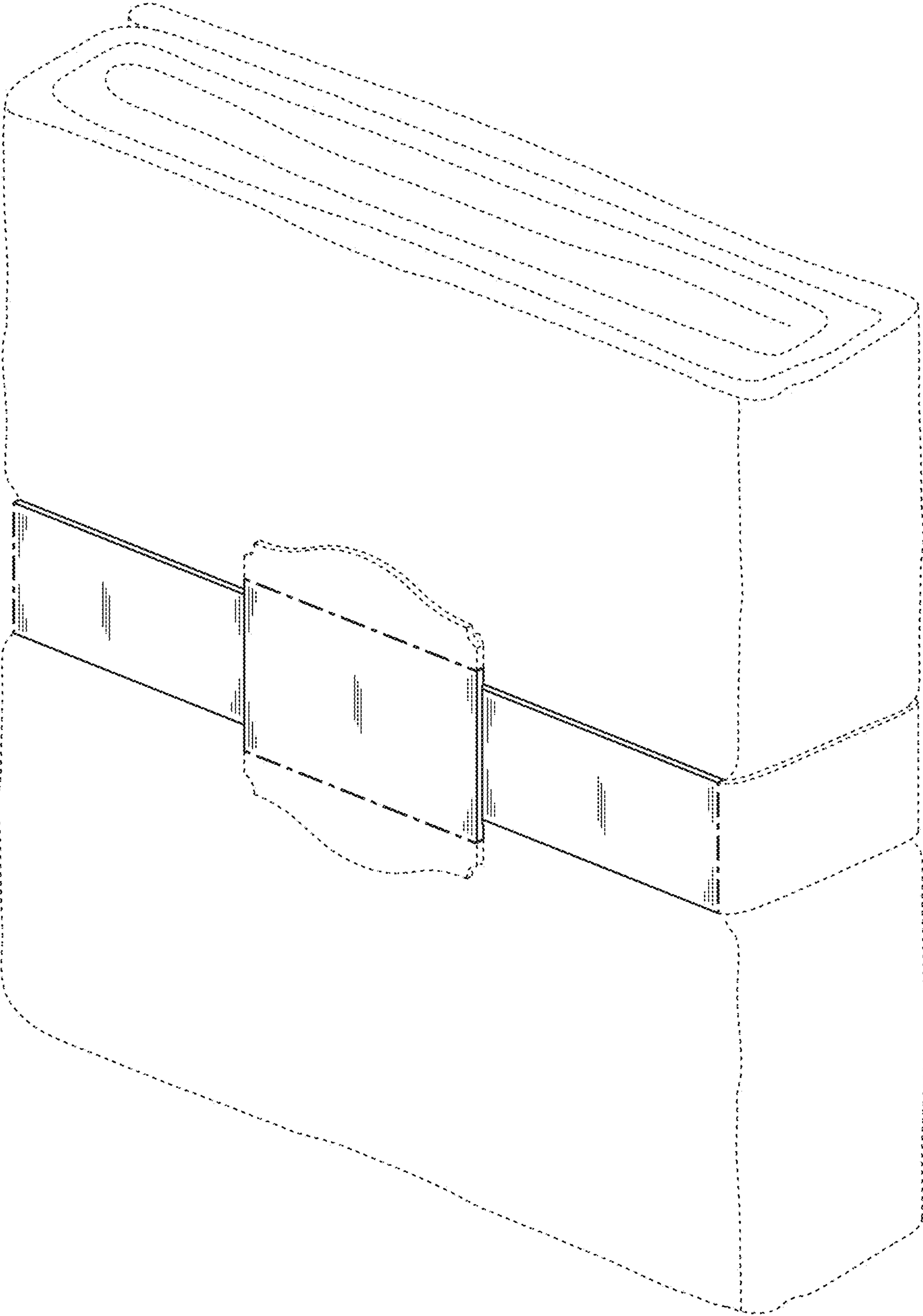


FIG. 9

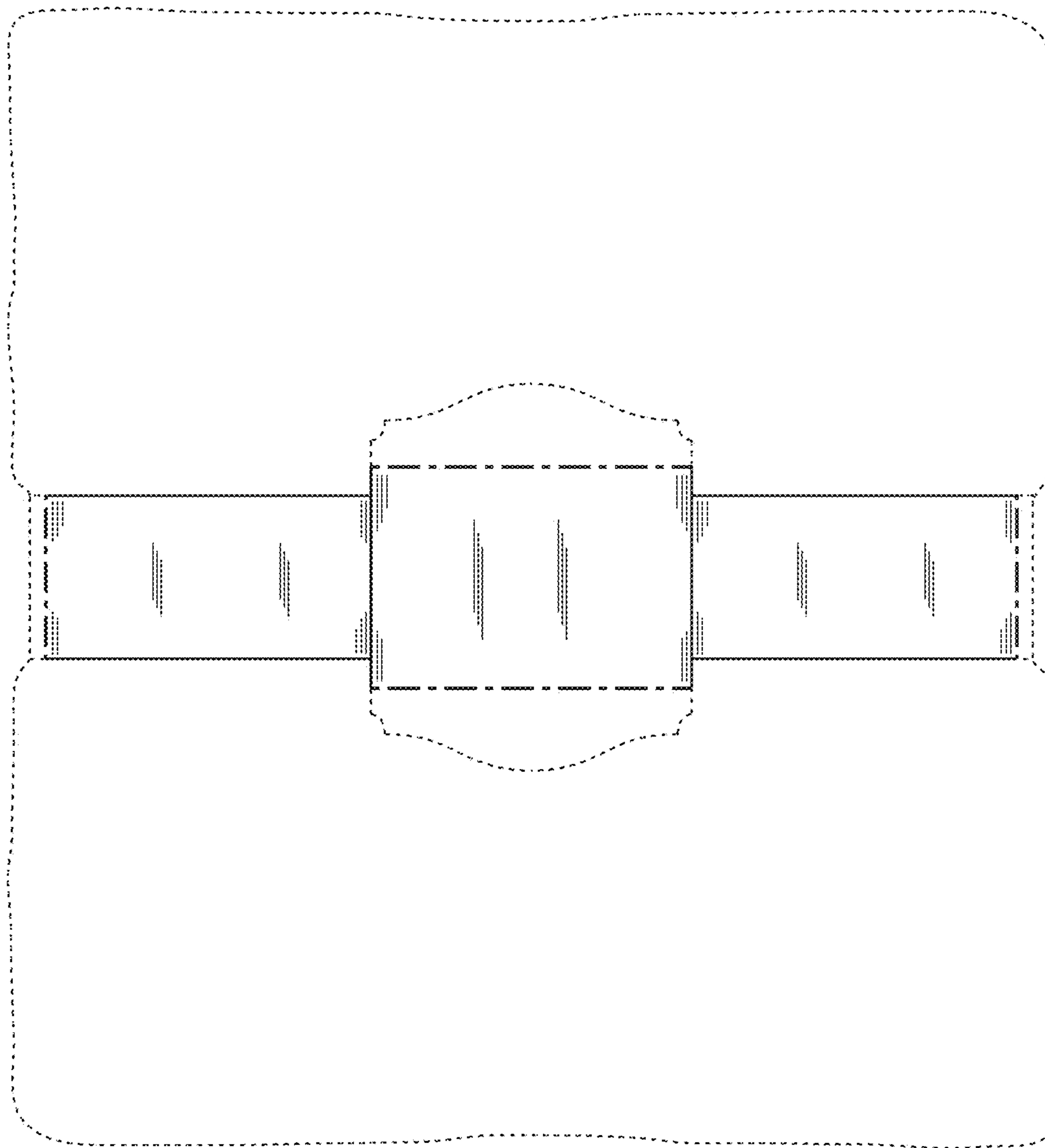


FIG. 10

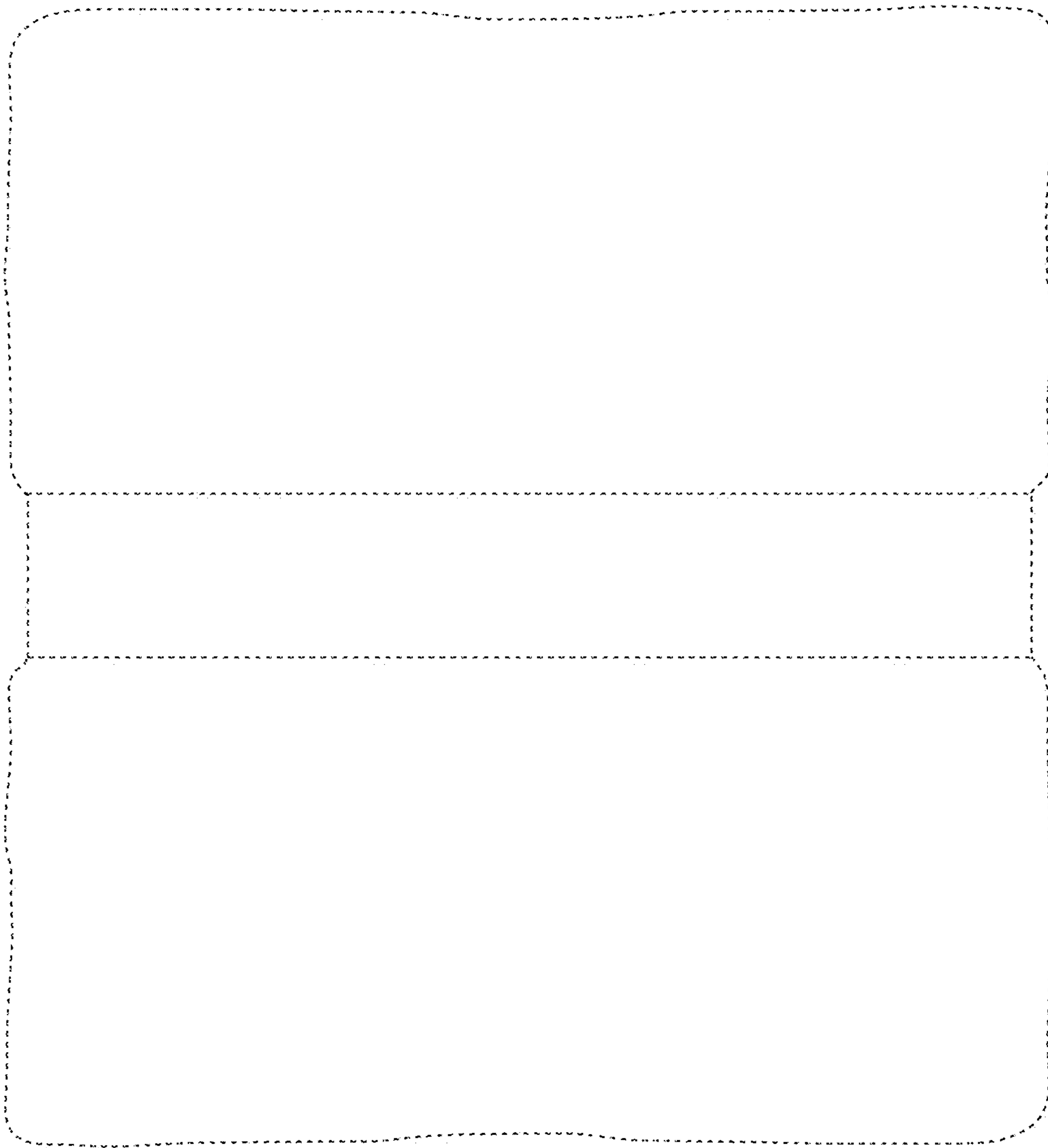


FIG. 11

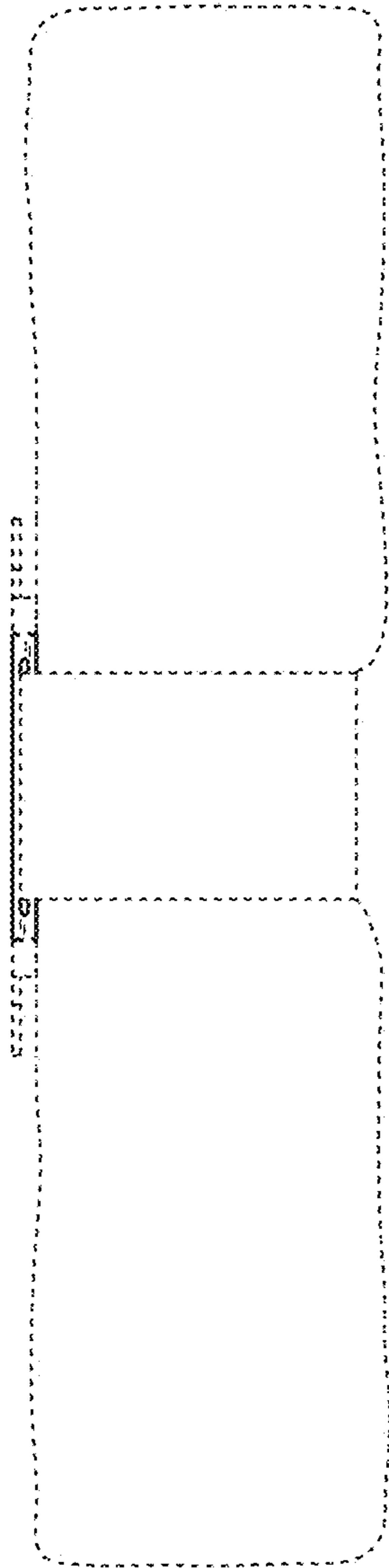


FIG. 12

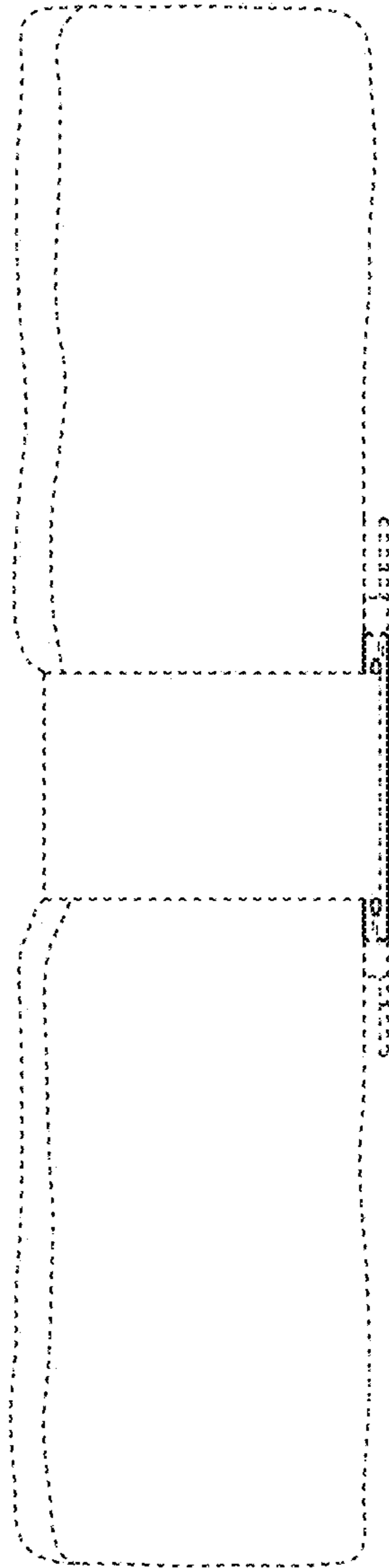


FIG. 13

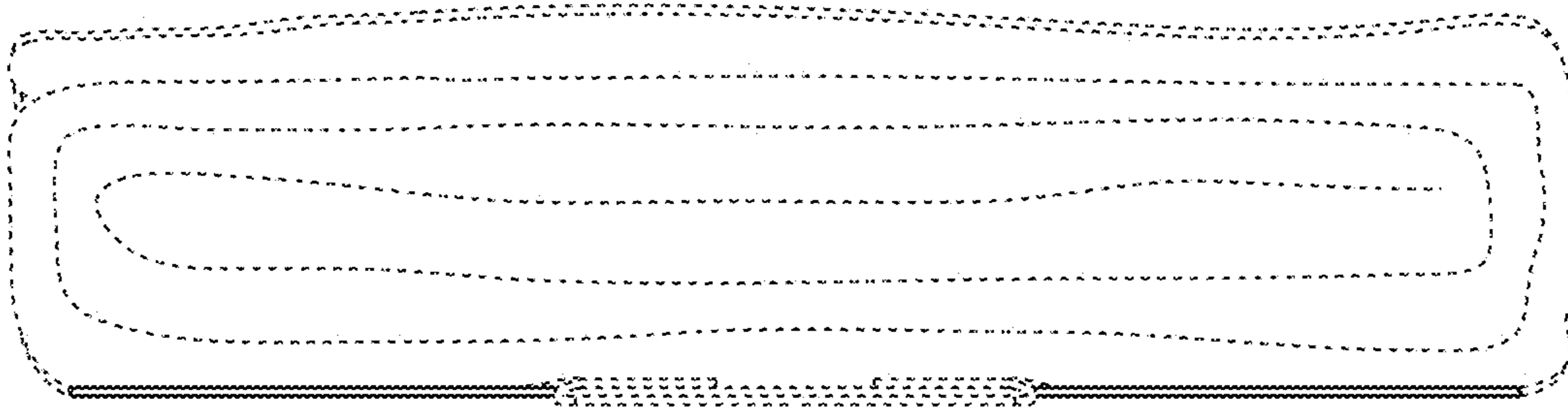


FIG. 14

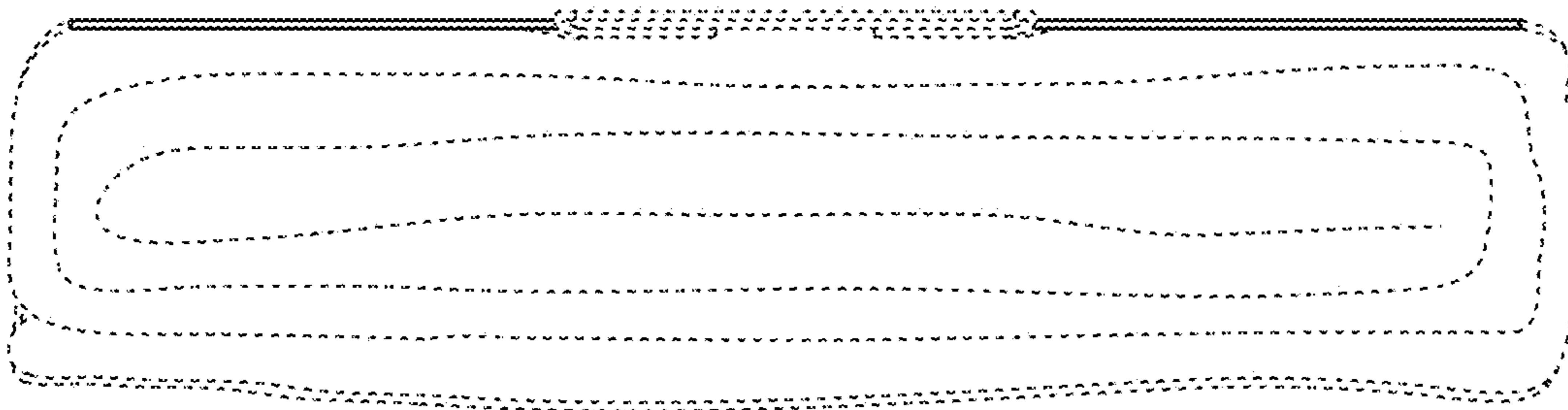


FIG. 15

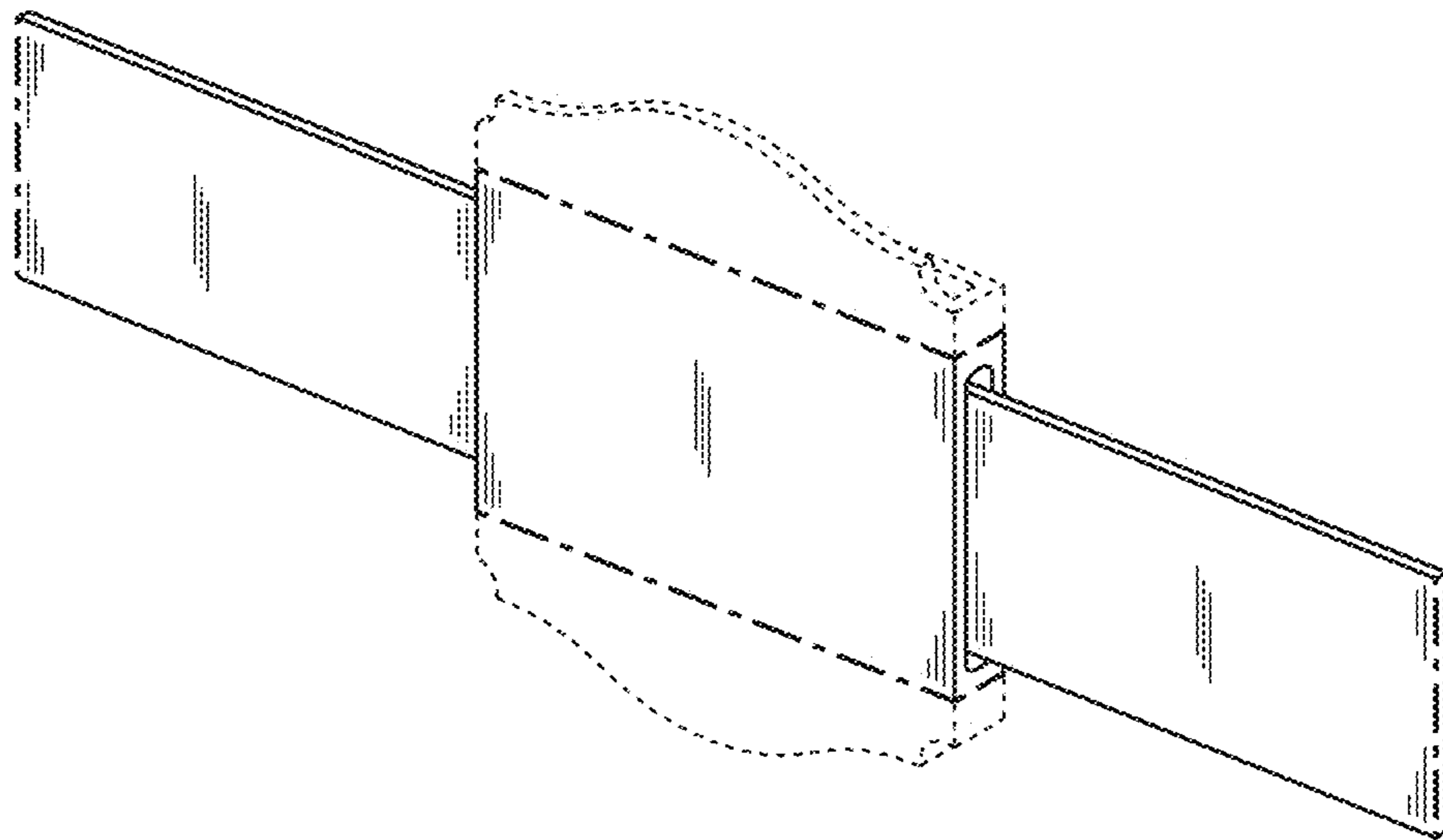


FIG. 16

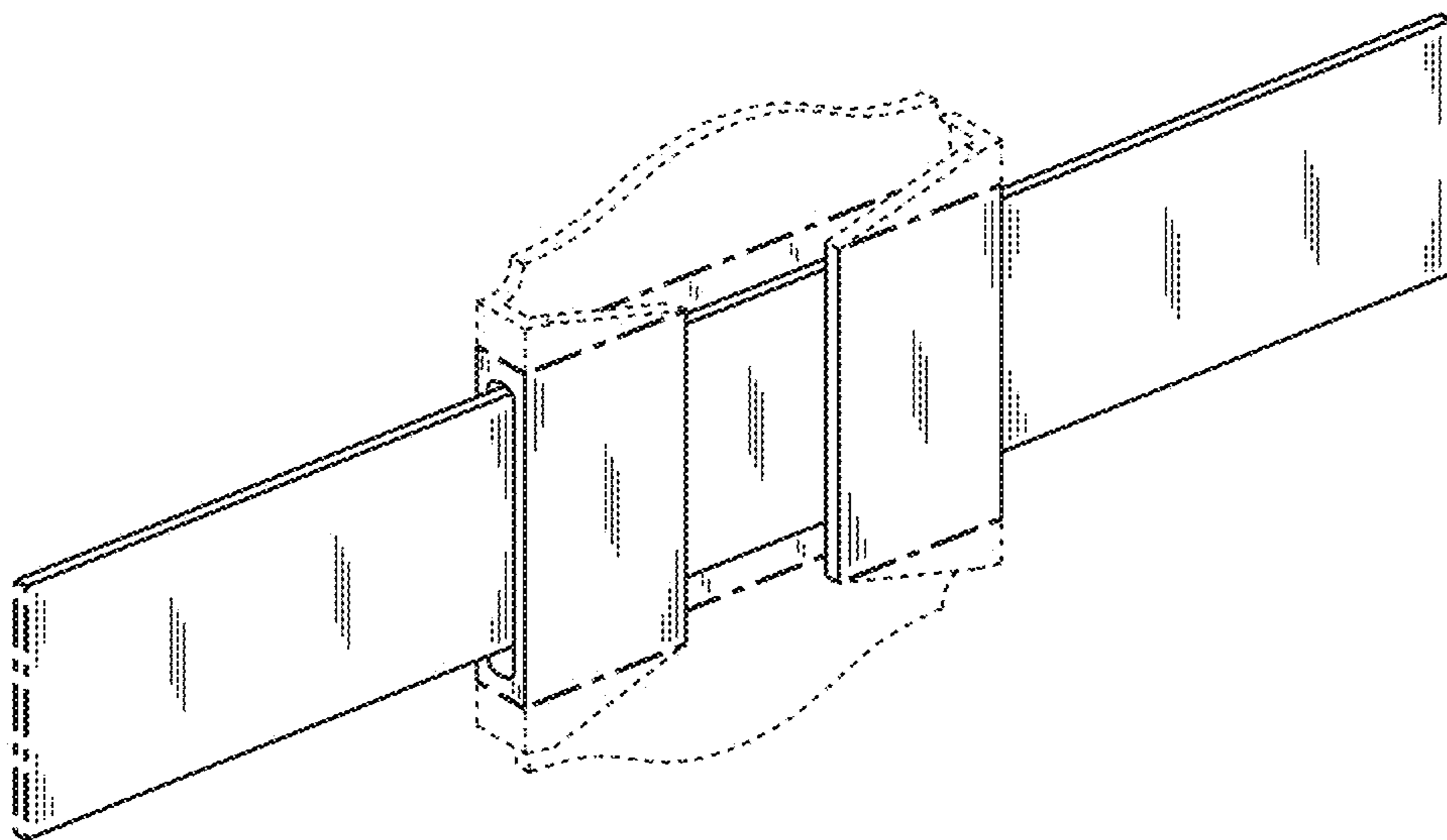


FIG. 17

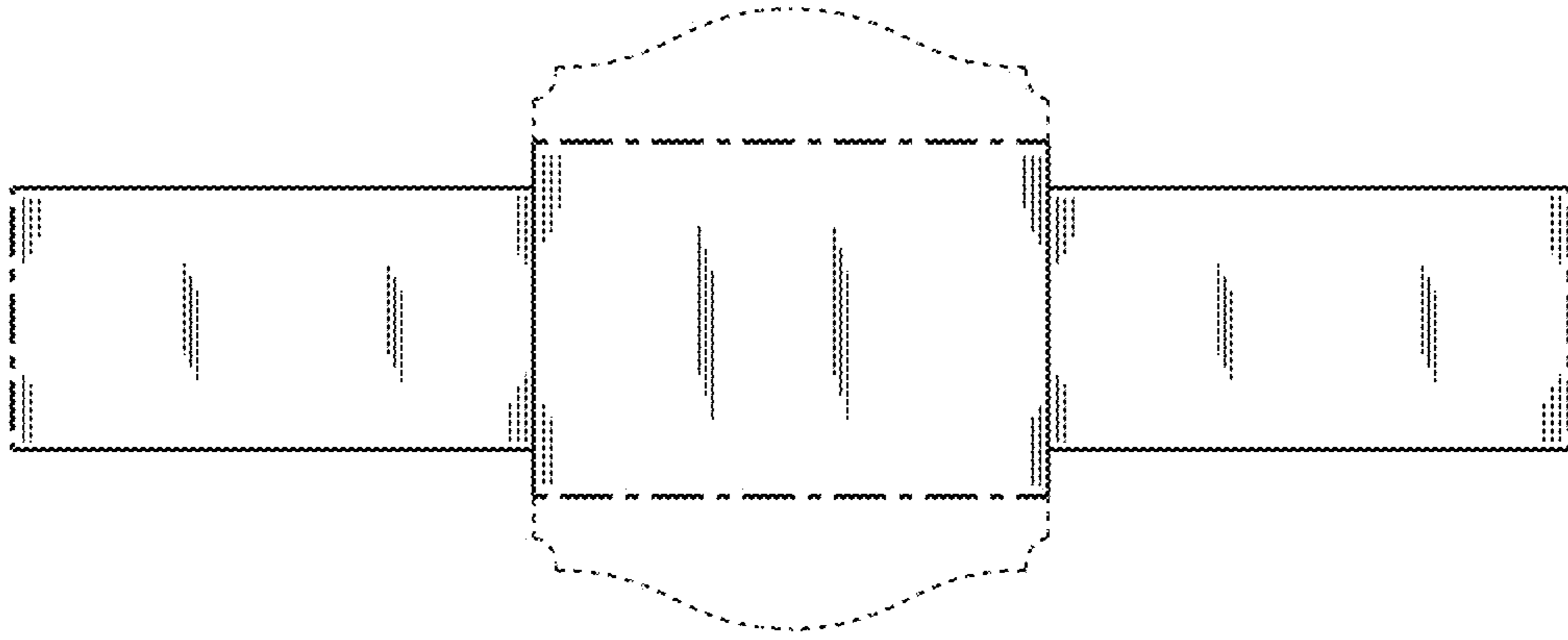


FIG. 18

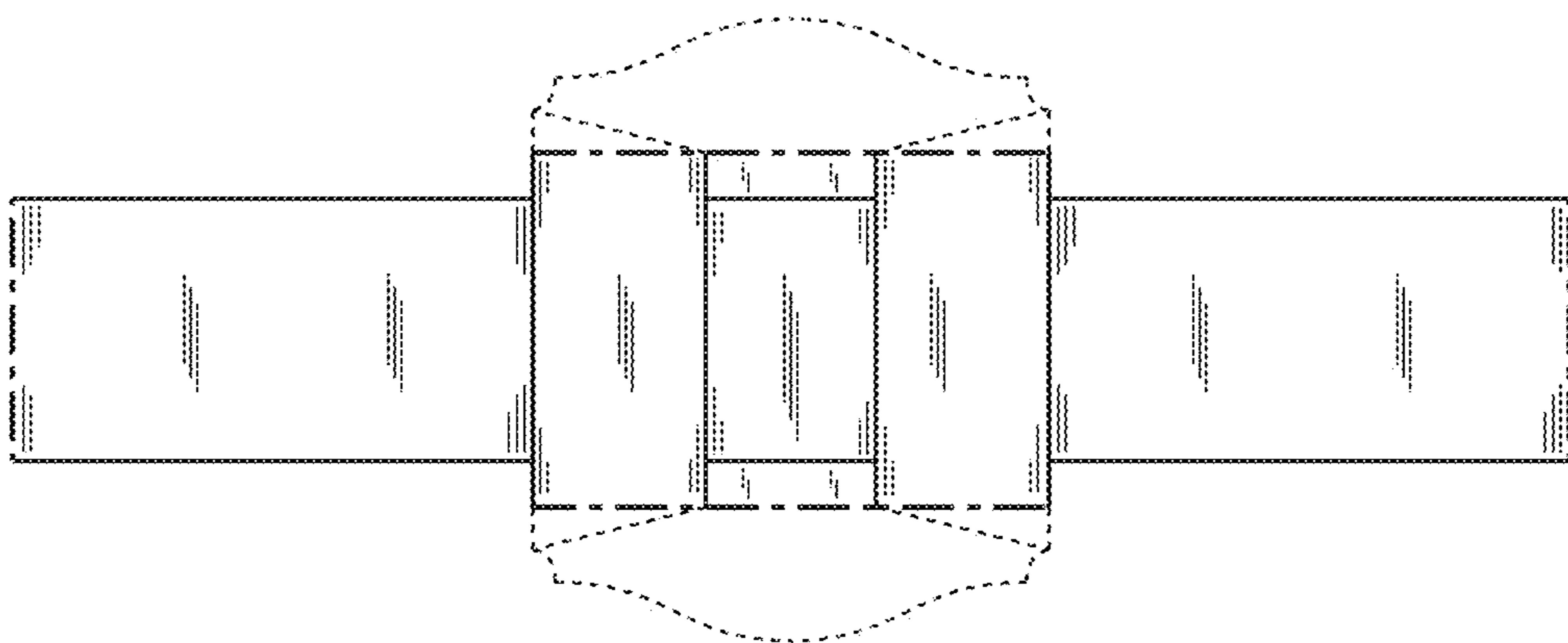


FIG. 19

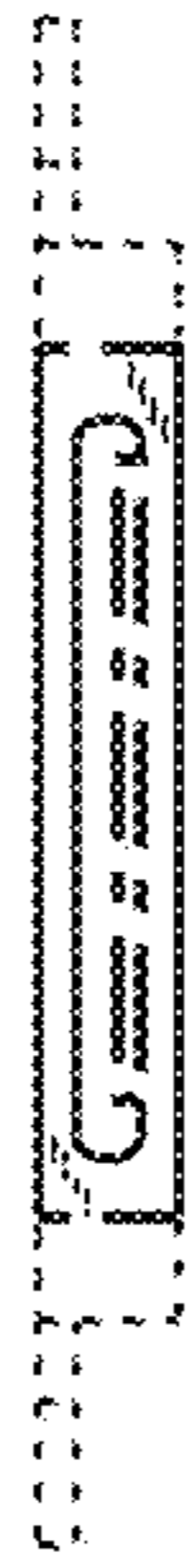


FIG. 20

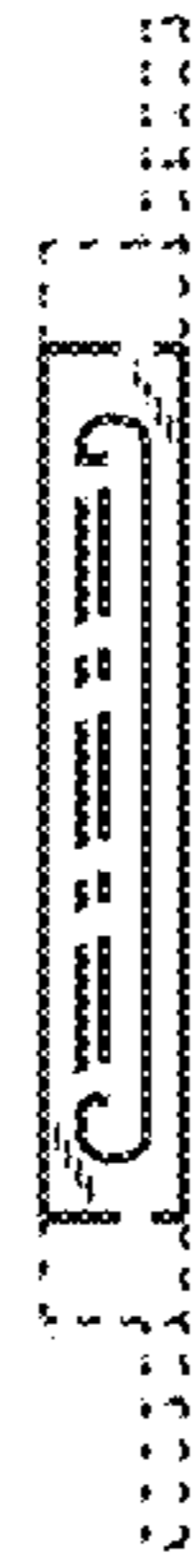


FIG. 21



FIG. 22

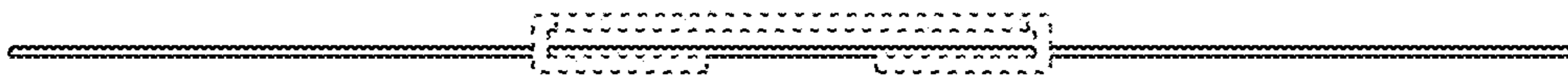


FIG. 23

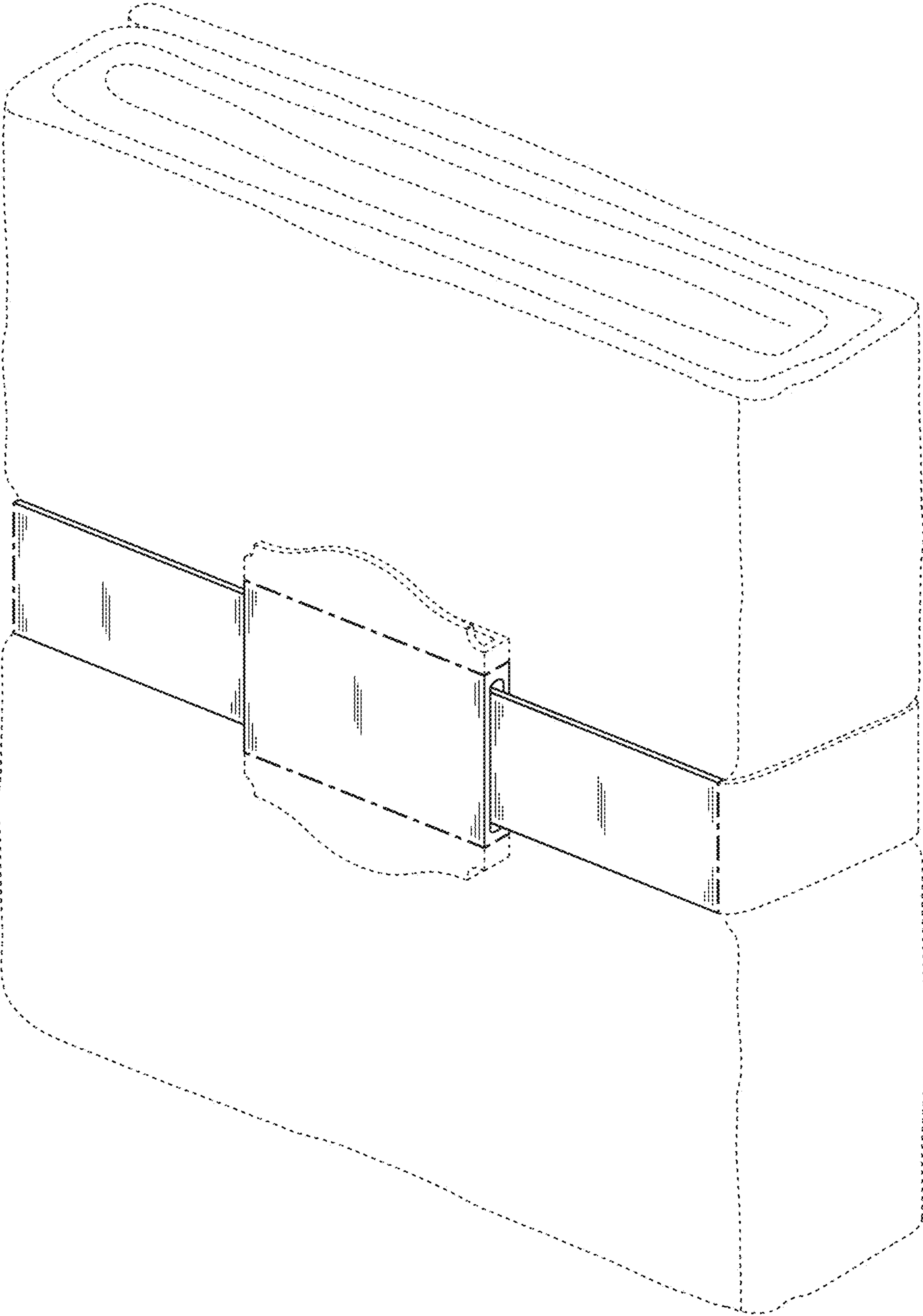


FIG. 24

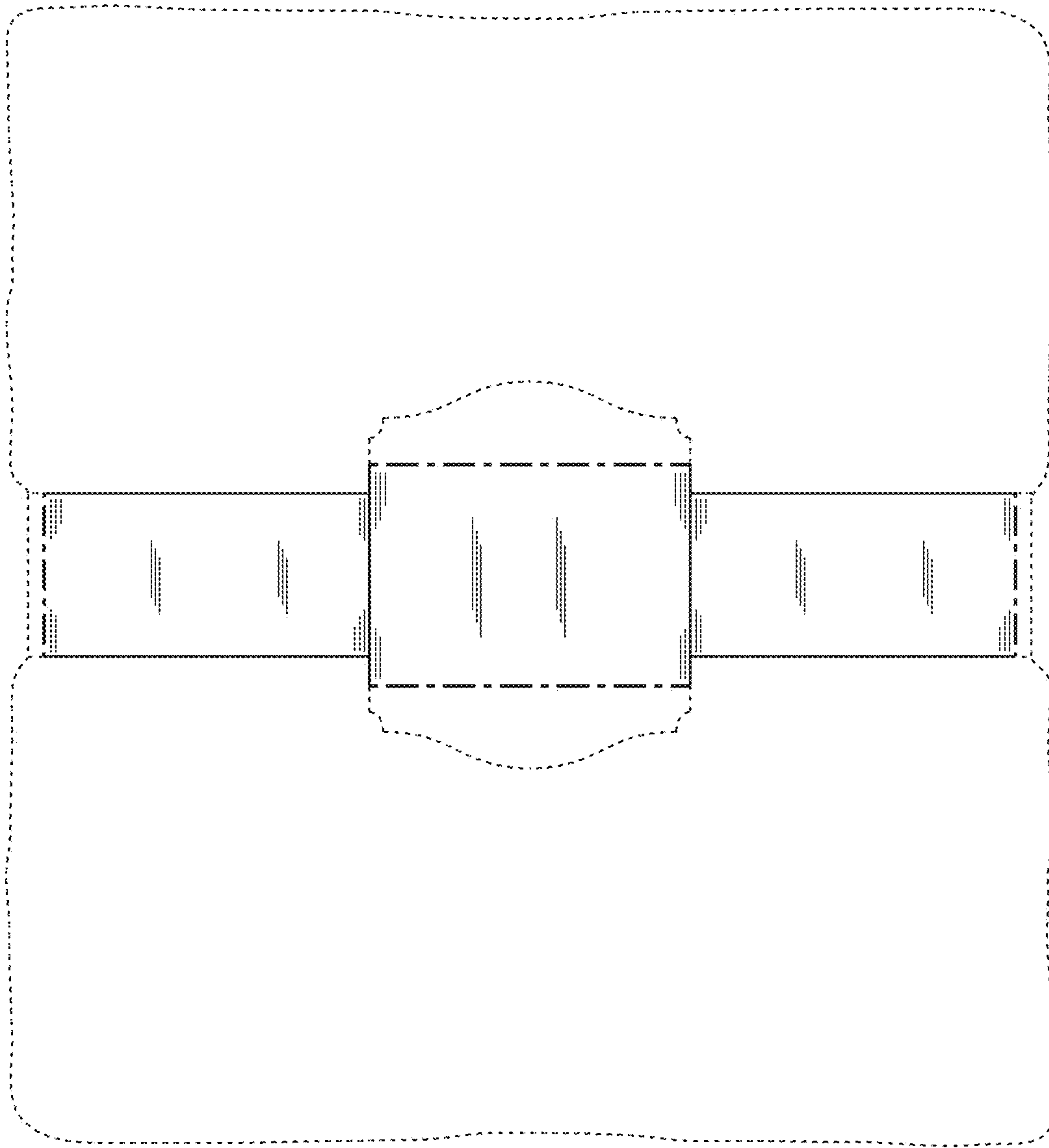


FIG. 25

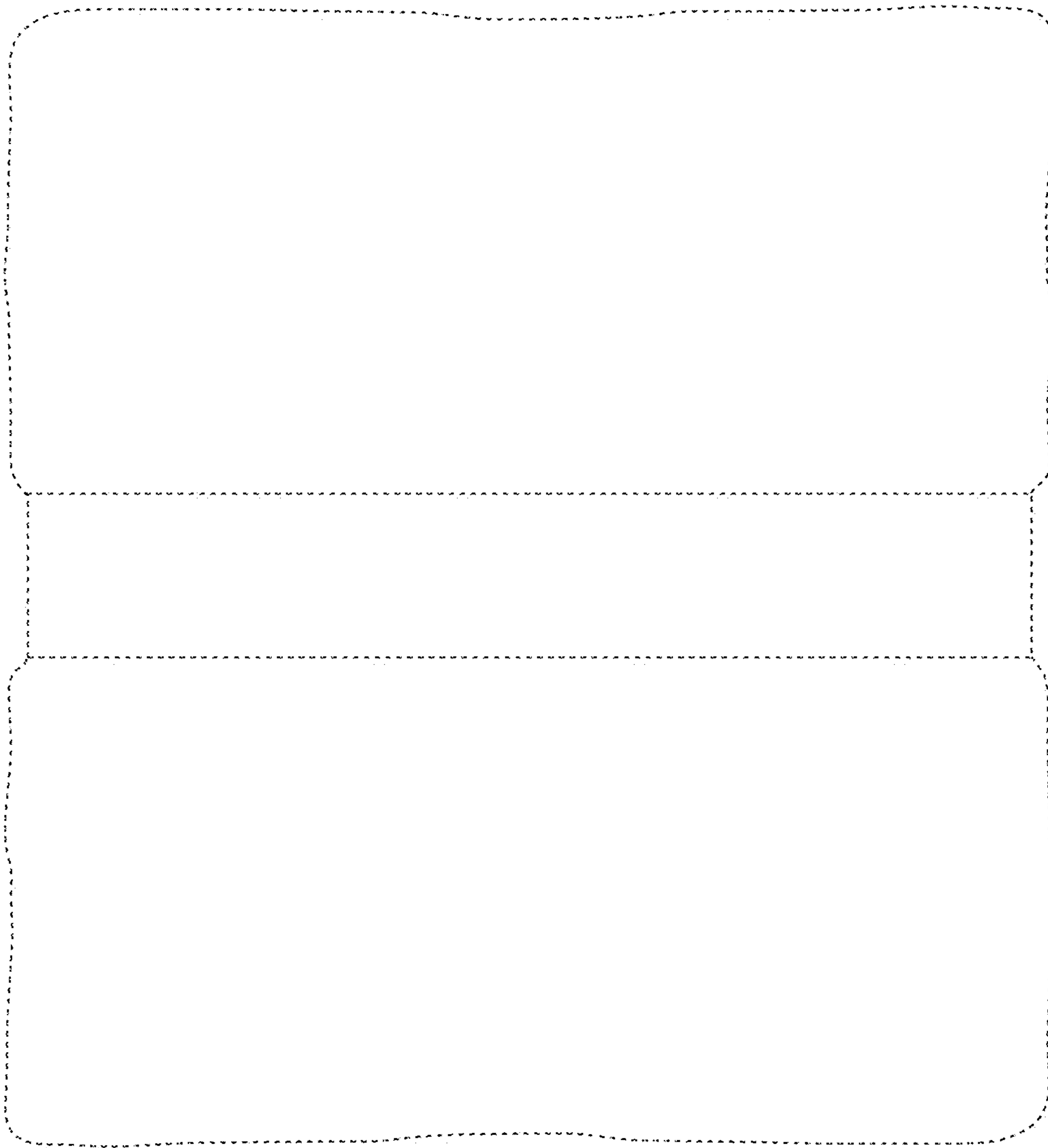


FIG. 26

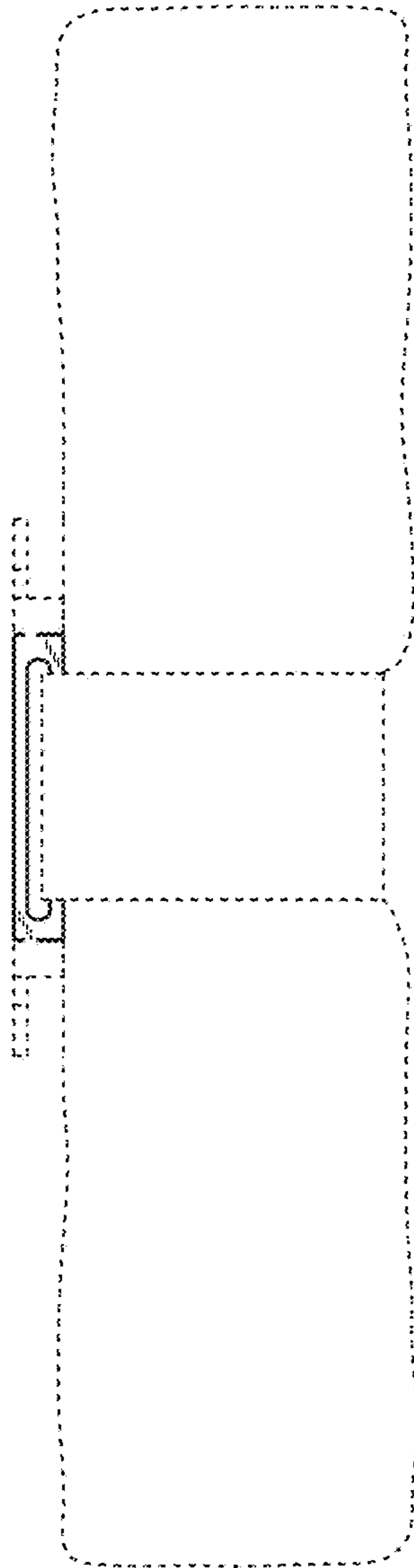


FIG. 27

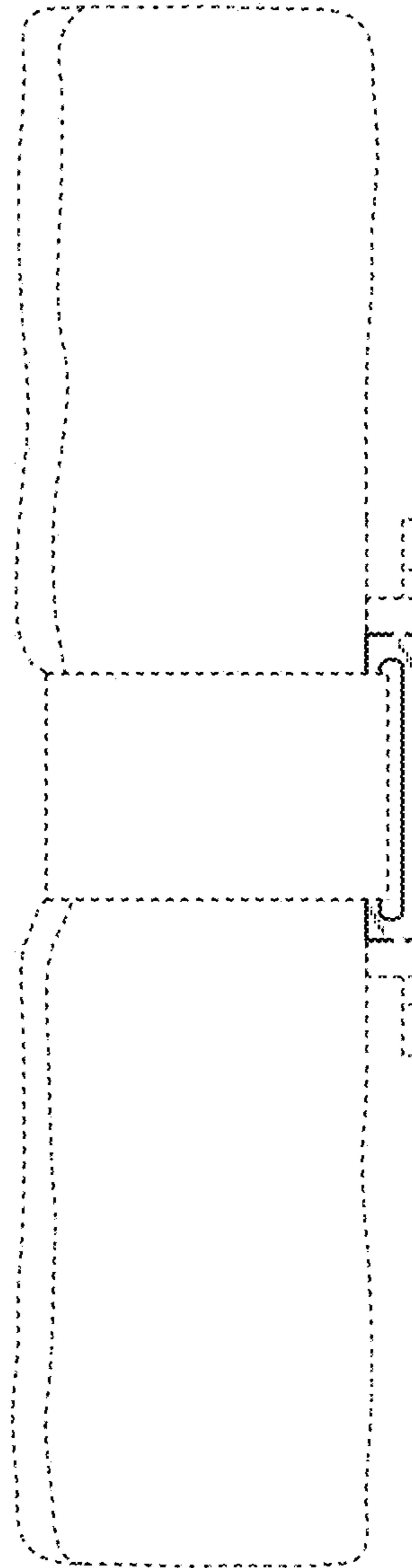


FIG. 28

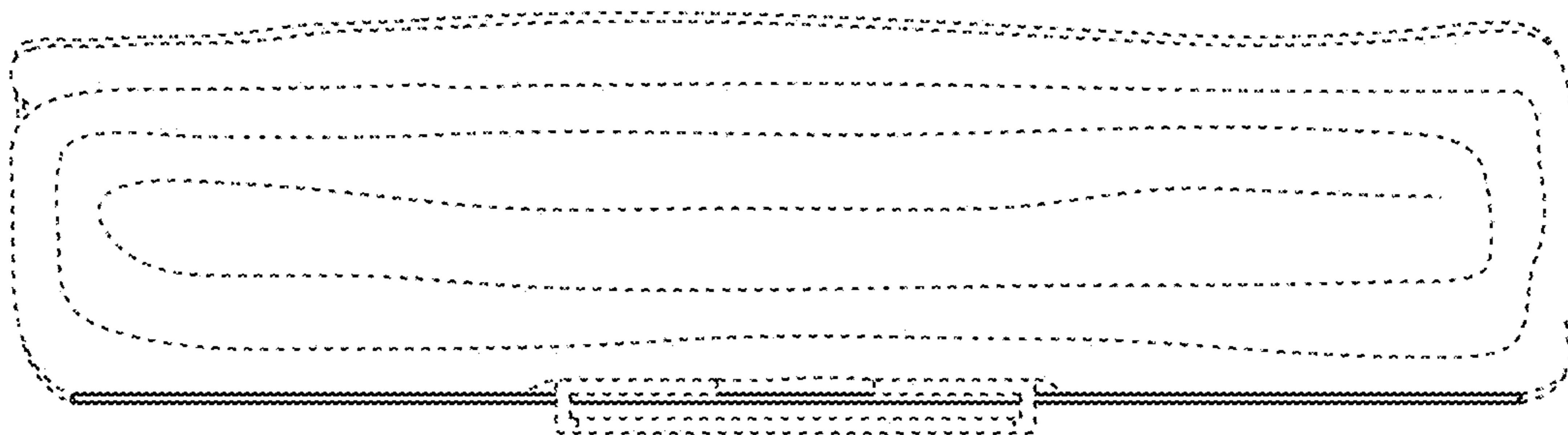


FIG. 29

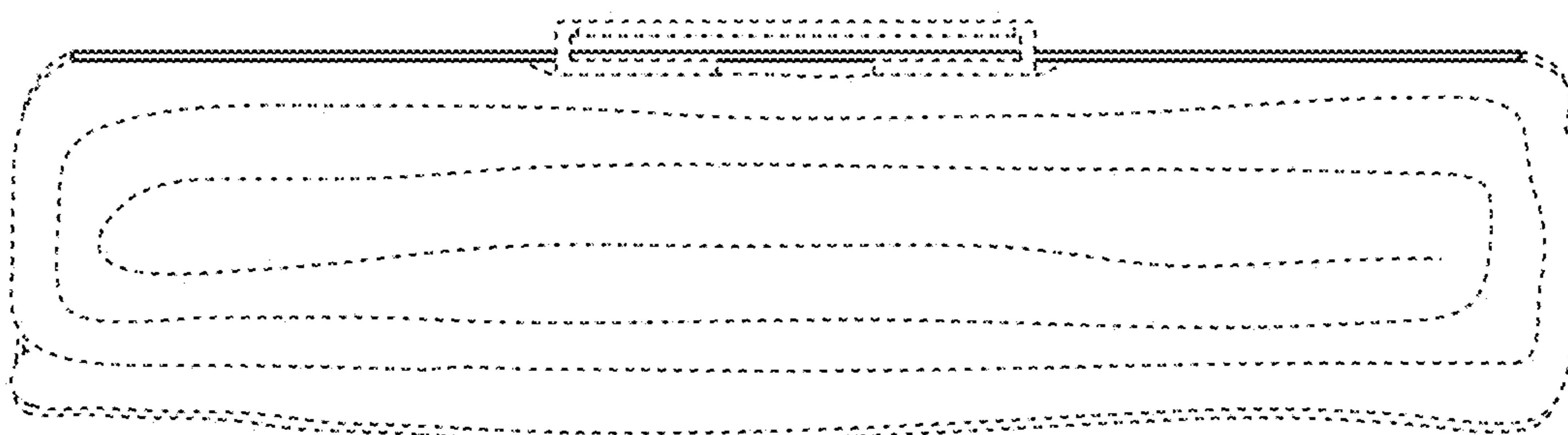


FIG. 30

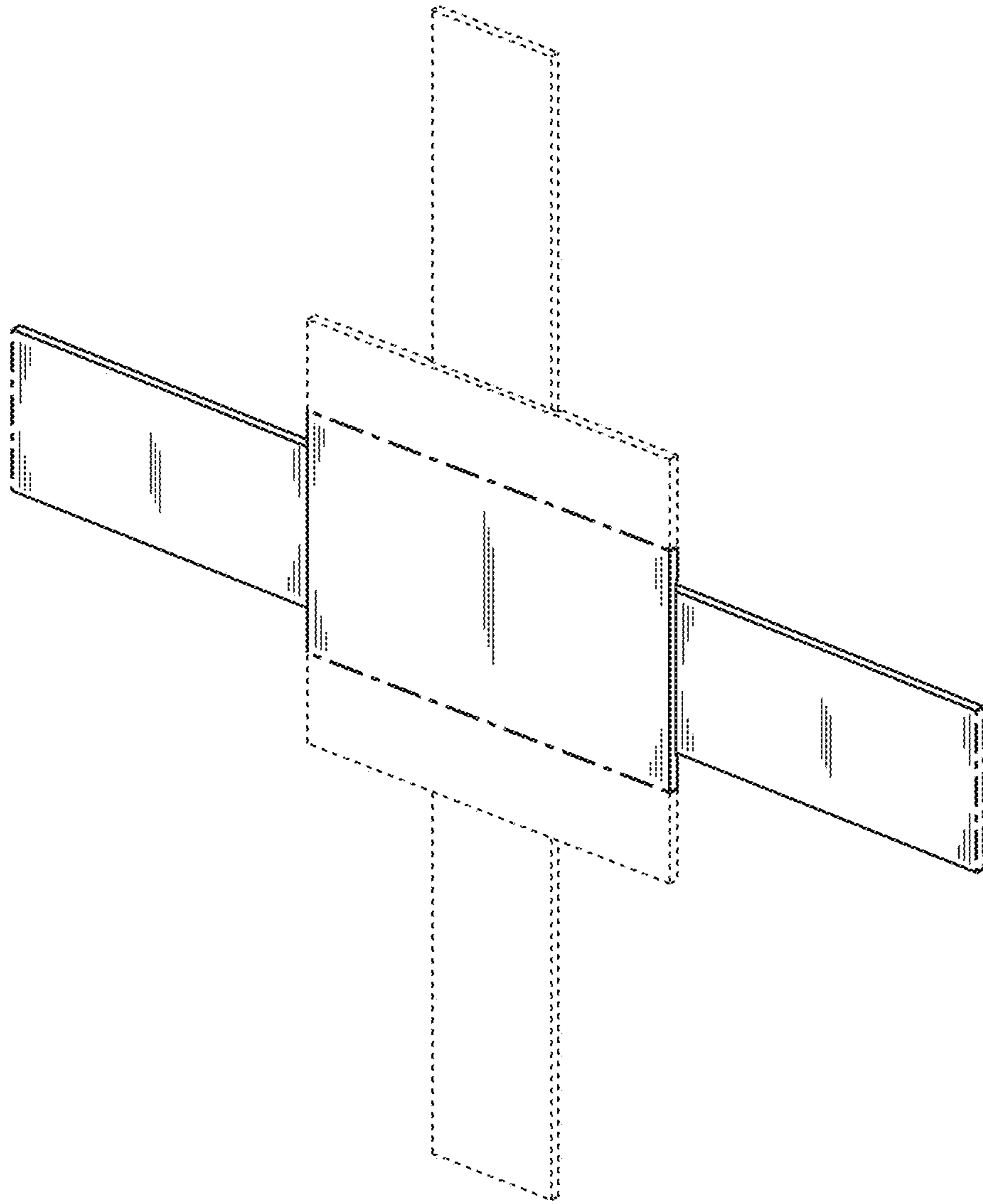


FIG. 31

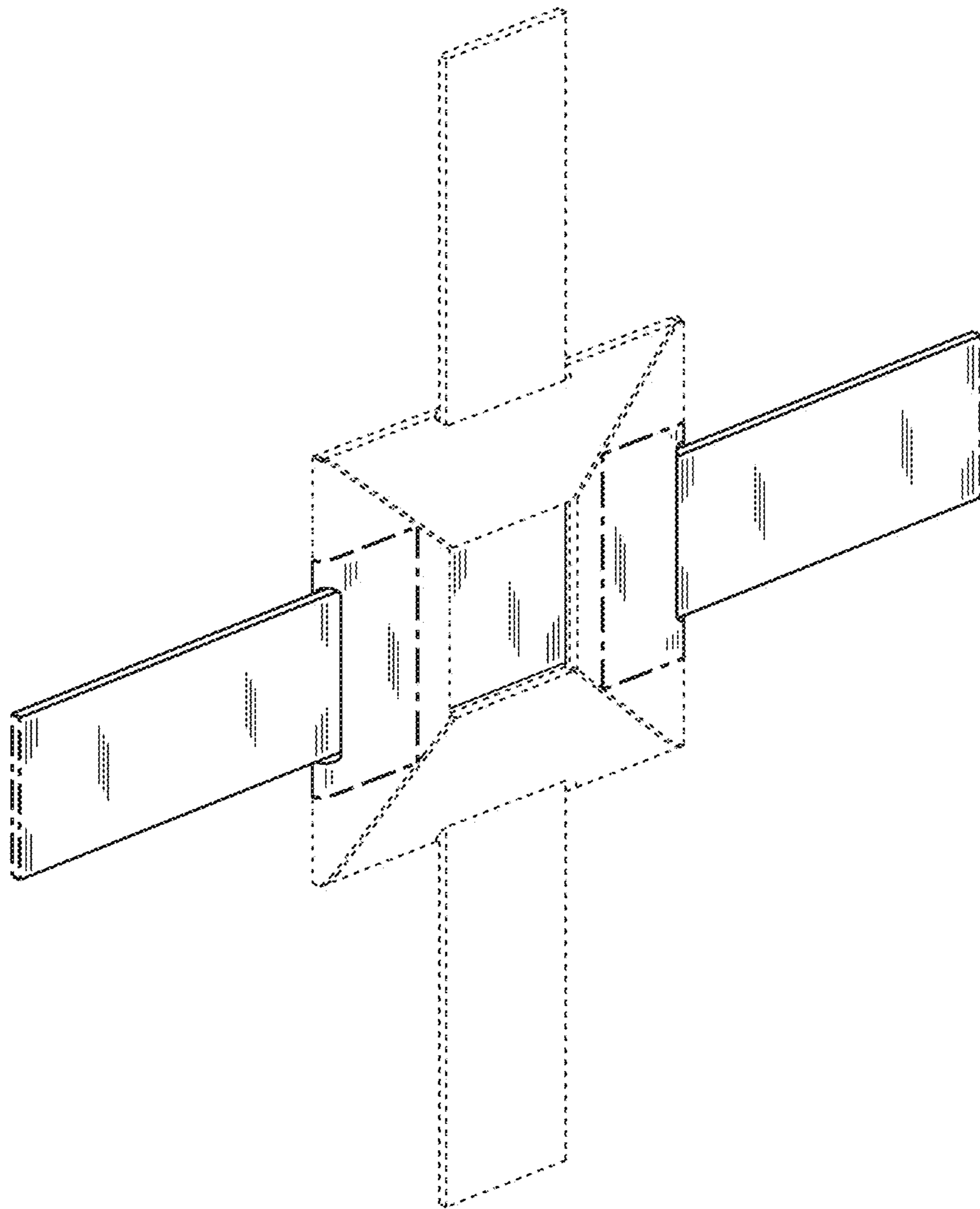


FIG. 32

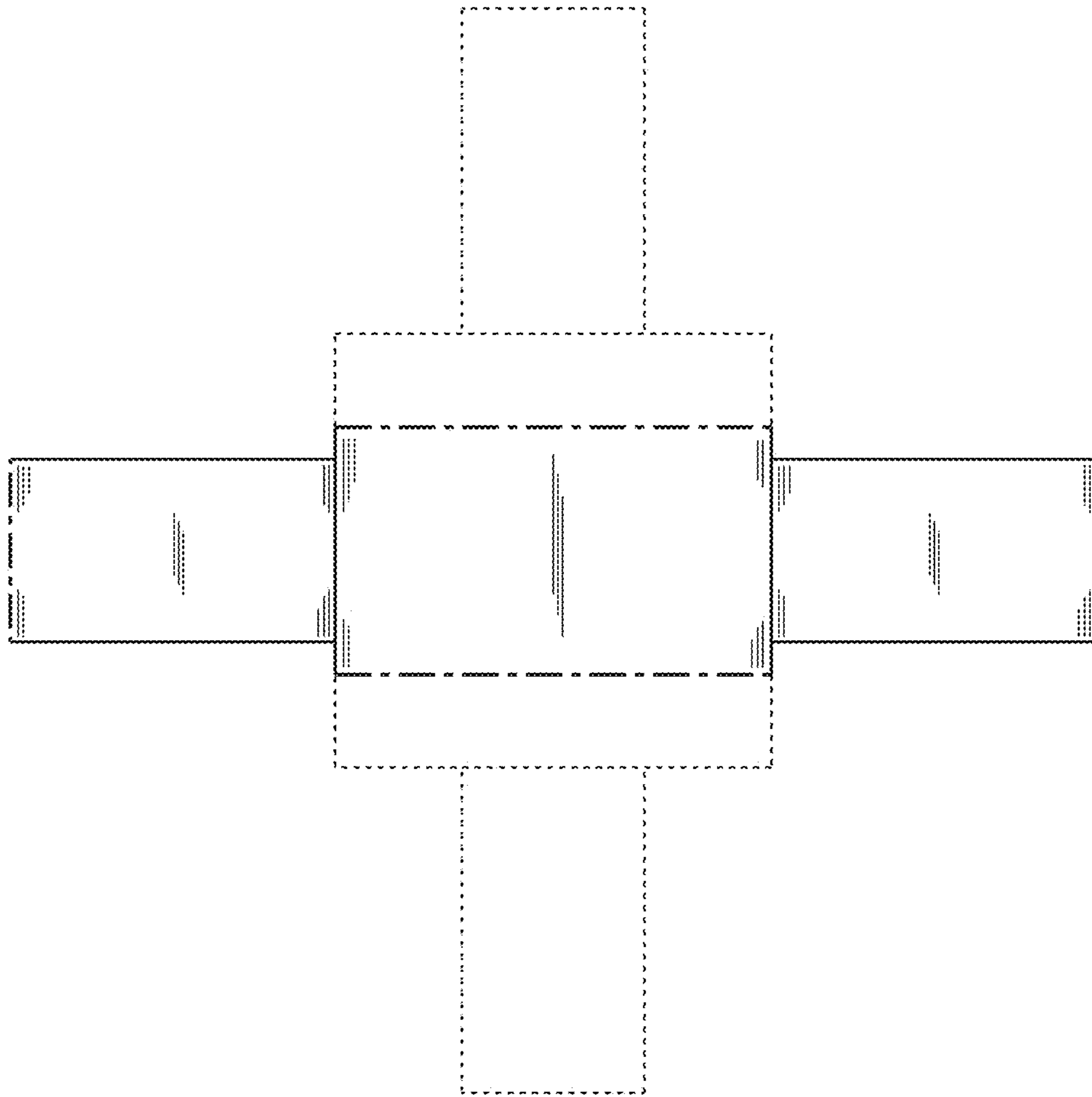


FIG. 33

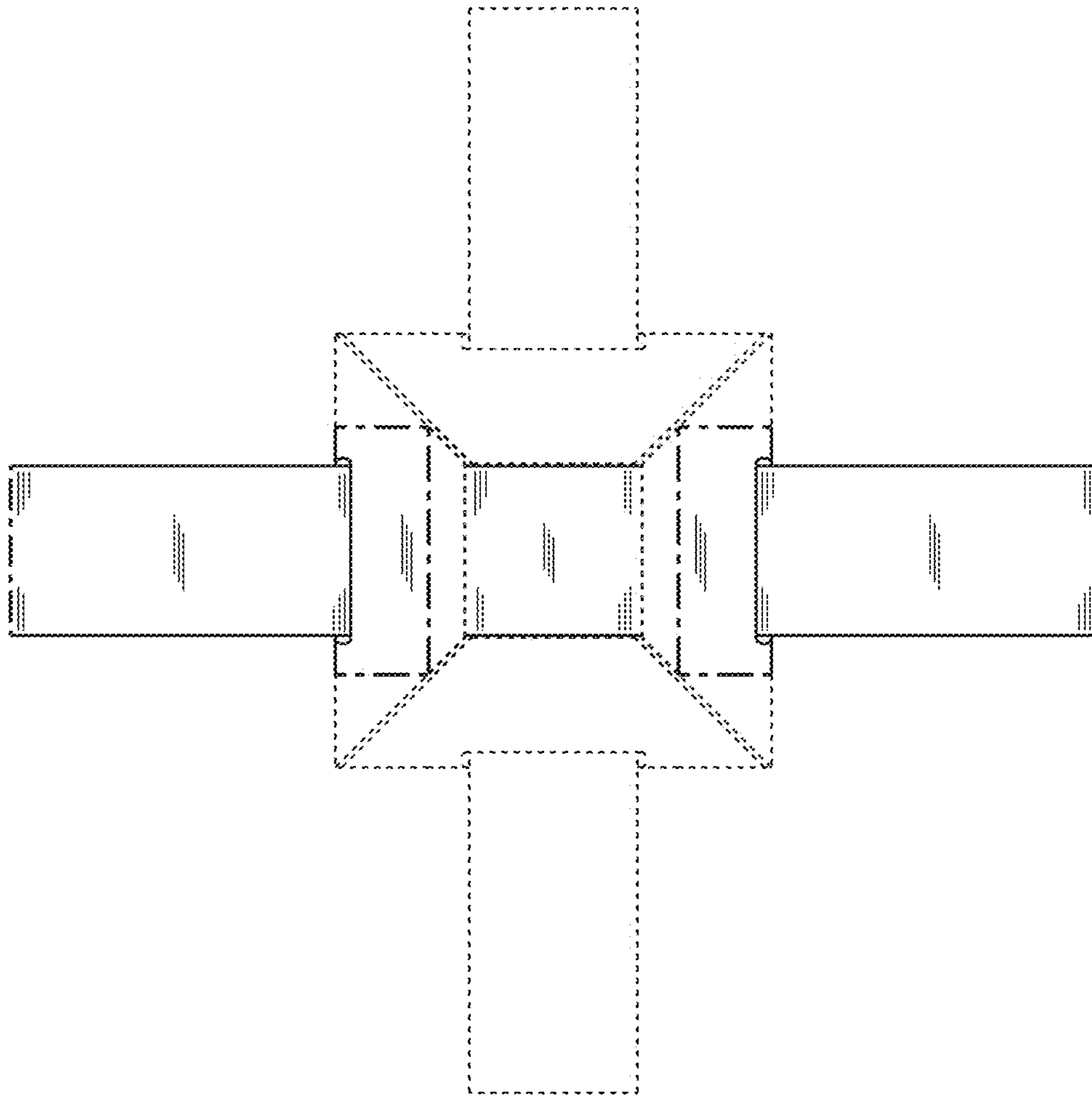


FIG. 34



FIG. 35



FIG. 36



FIG. 37



FIG. 38

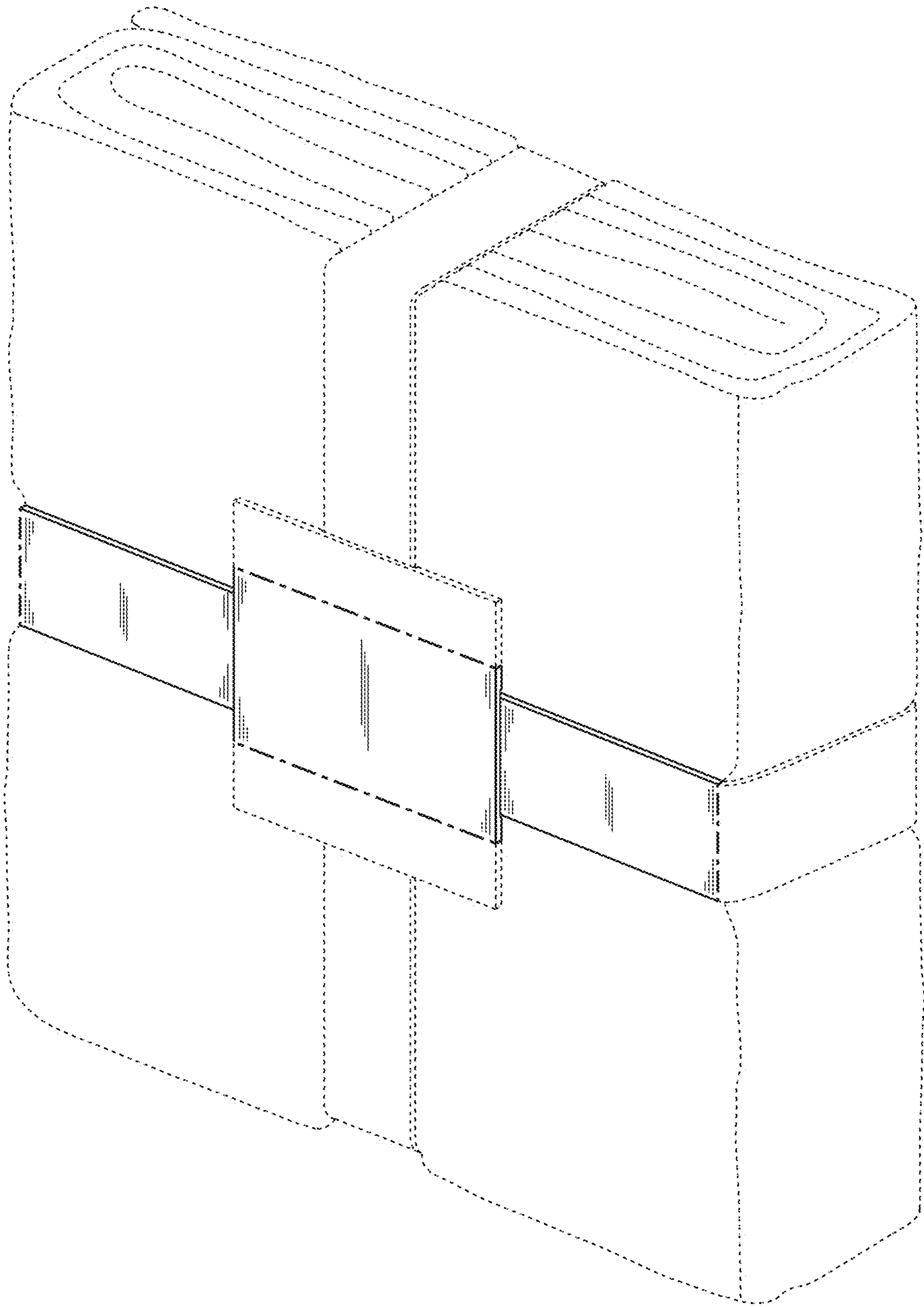


FIG. 39

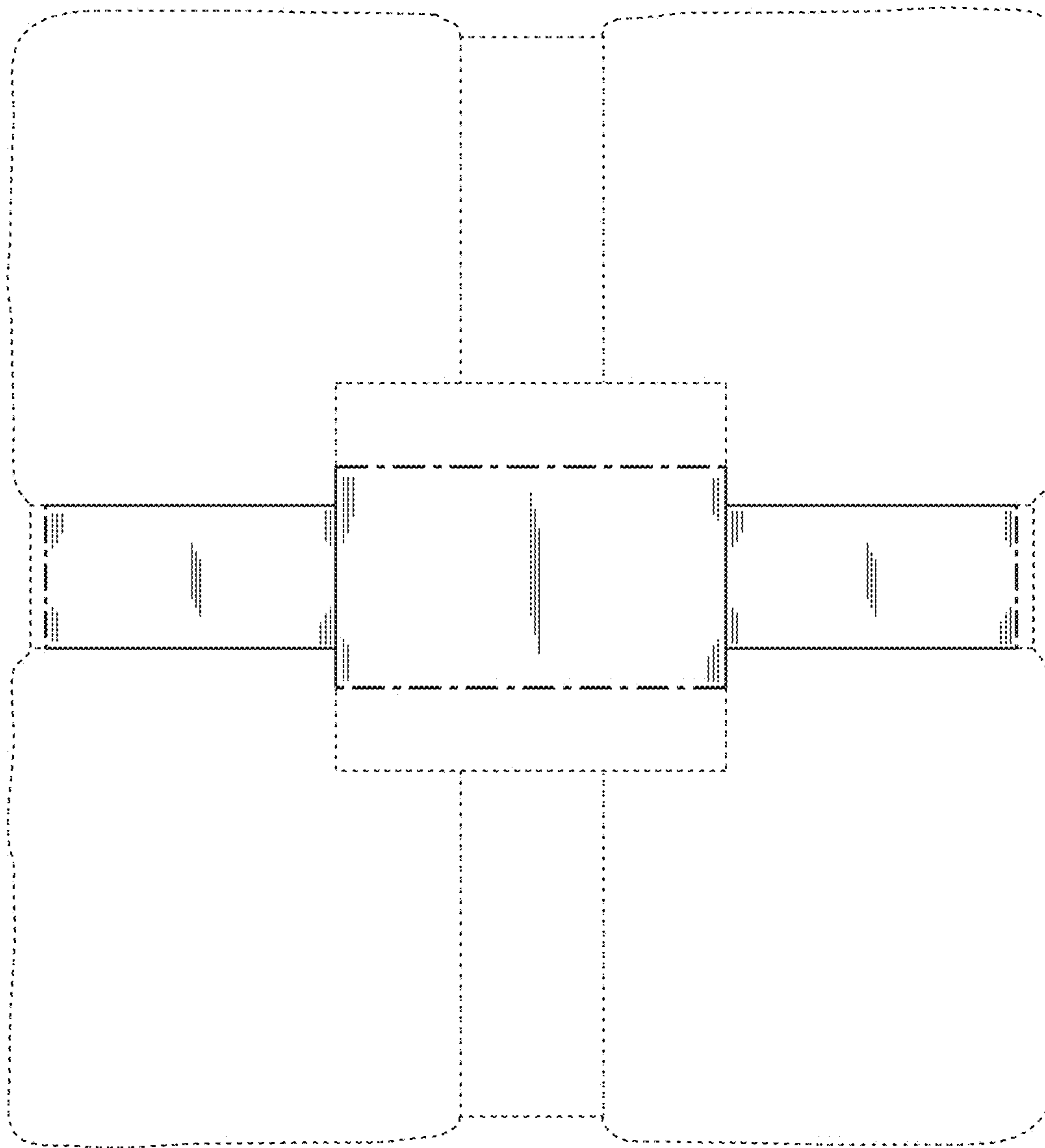


FIG. 40

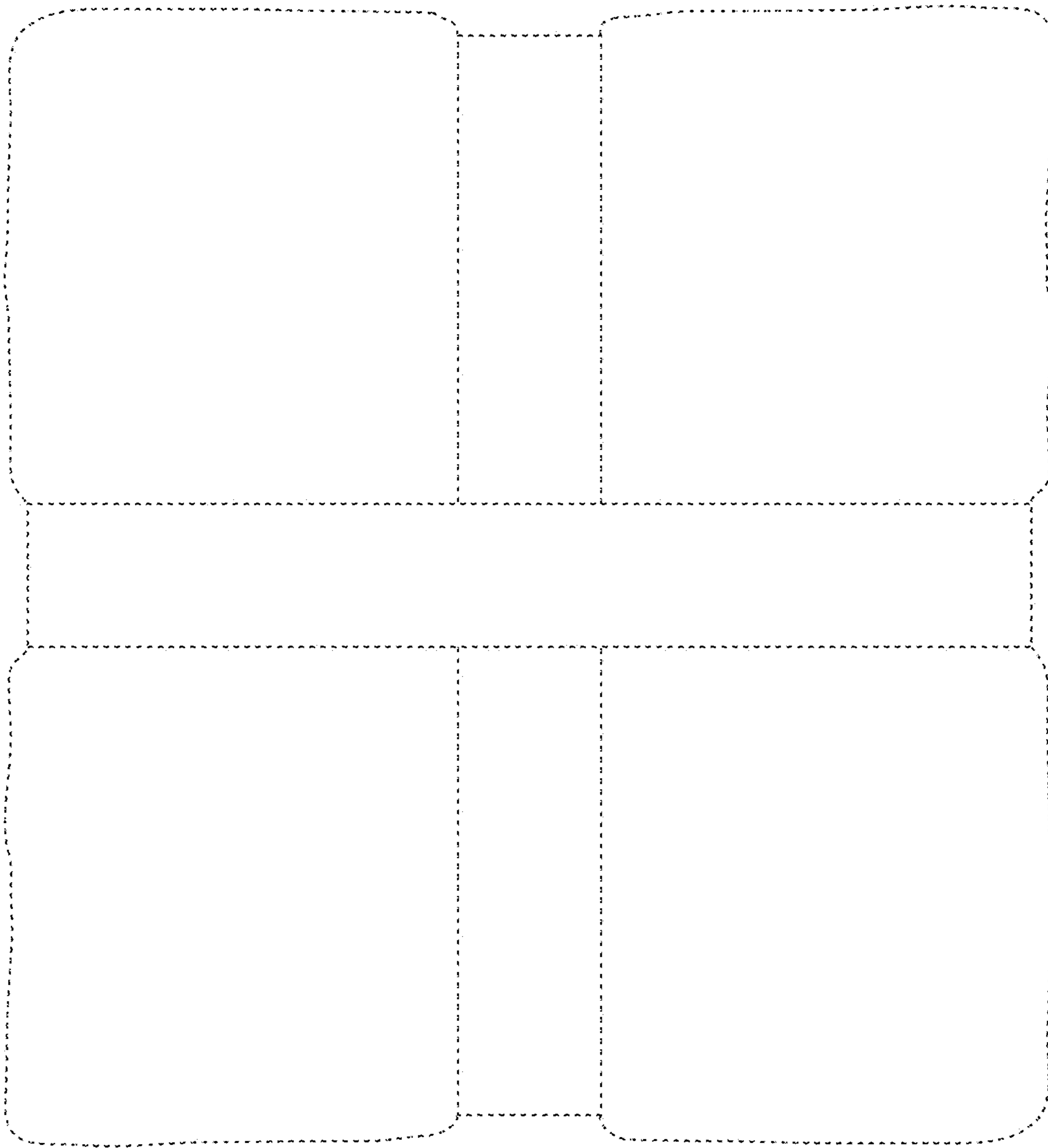


FIG. 41

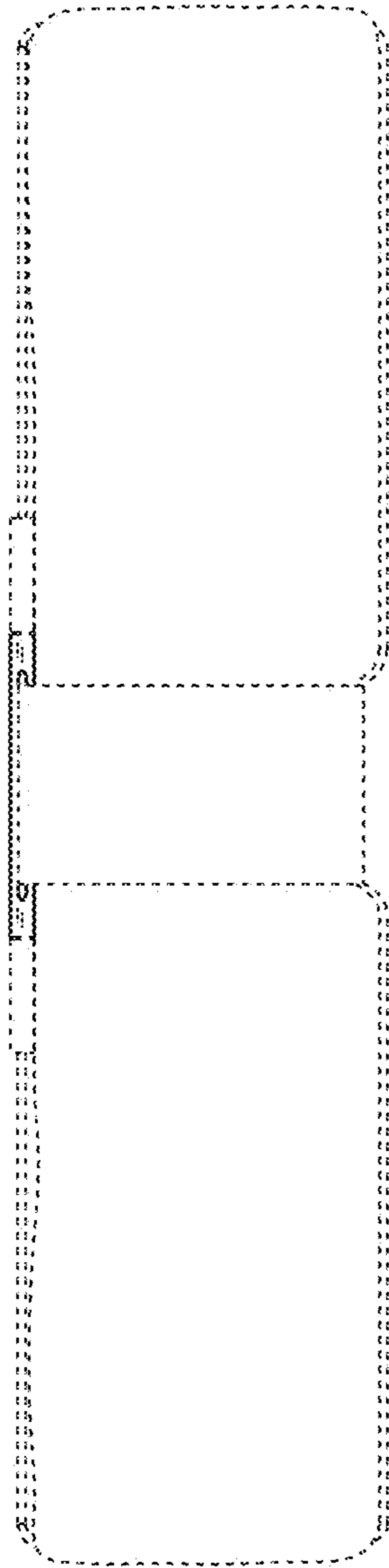


FIG. 42

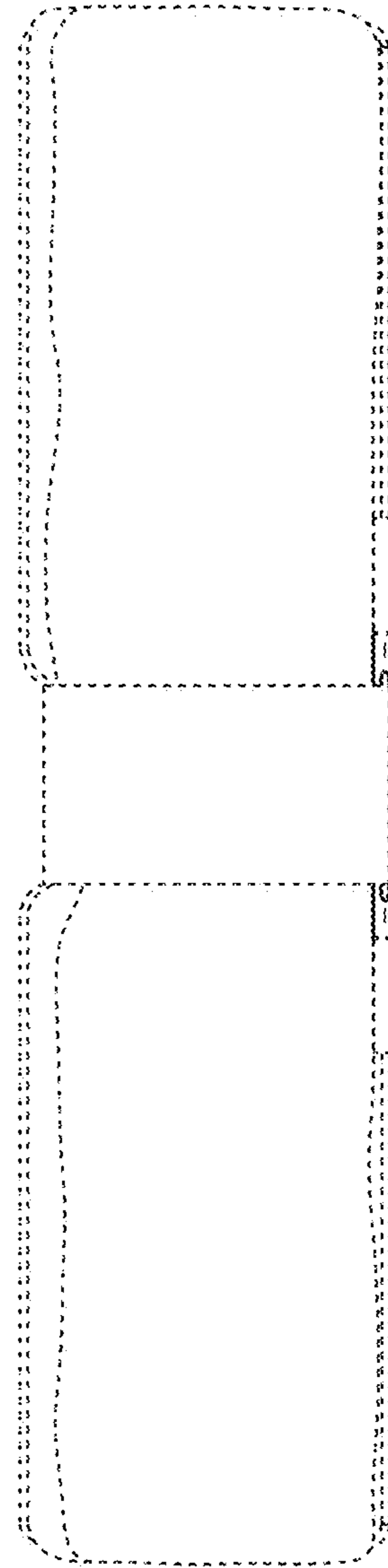


FIG. 43

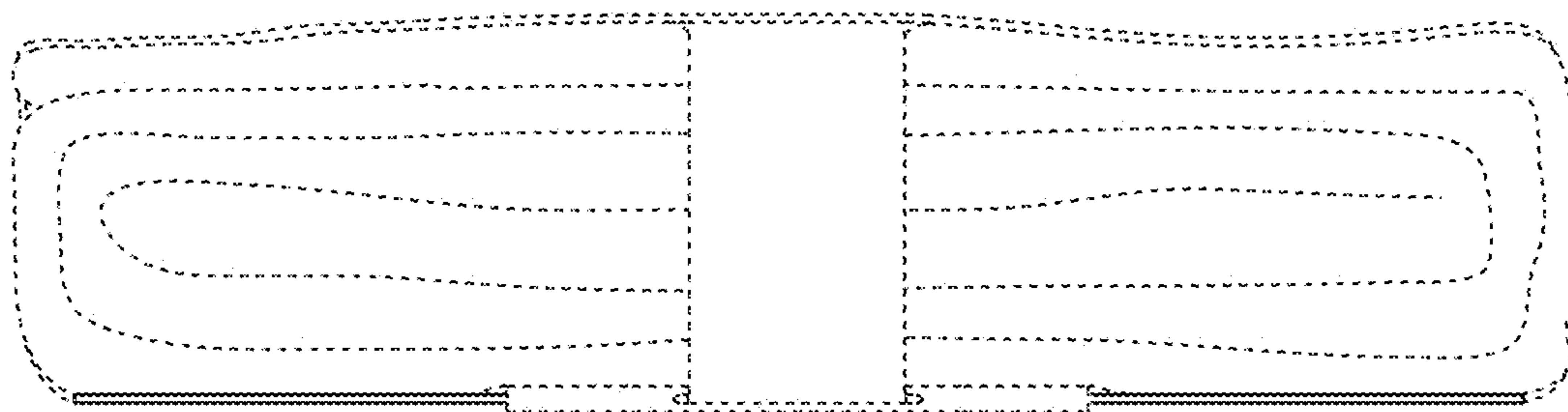


FIG. 44

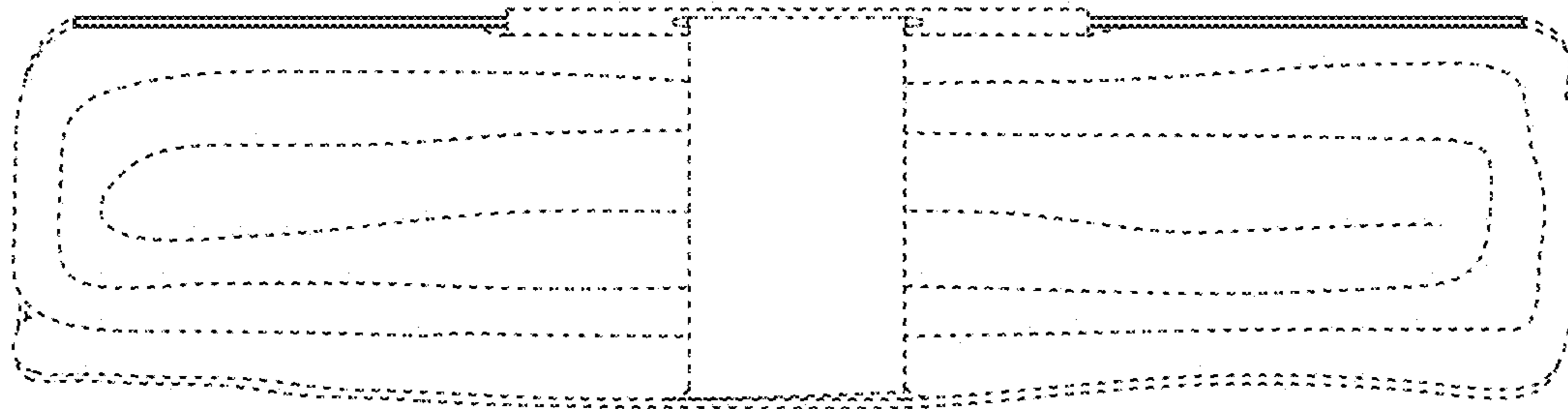


FIG. 45

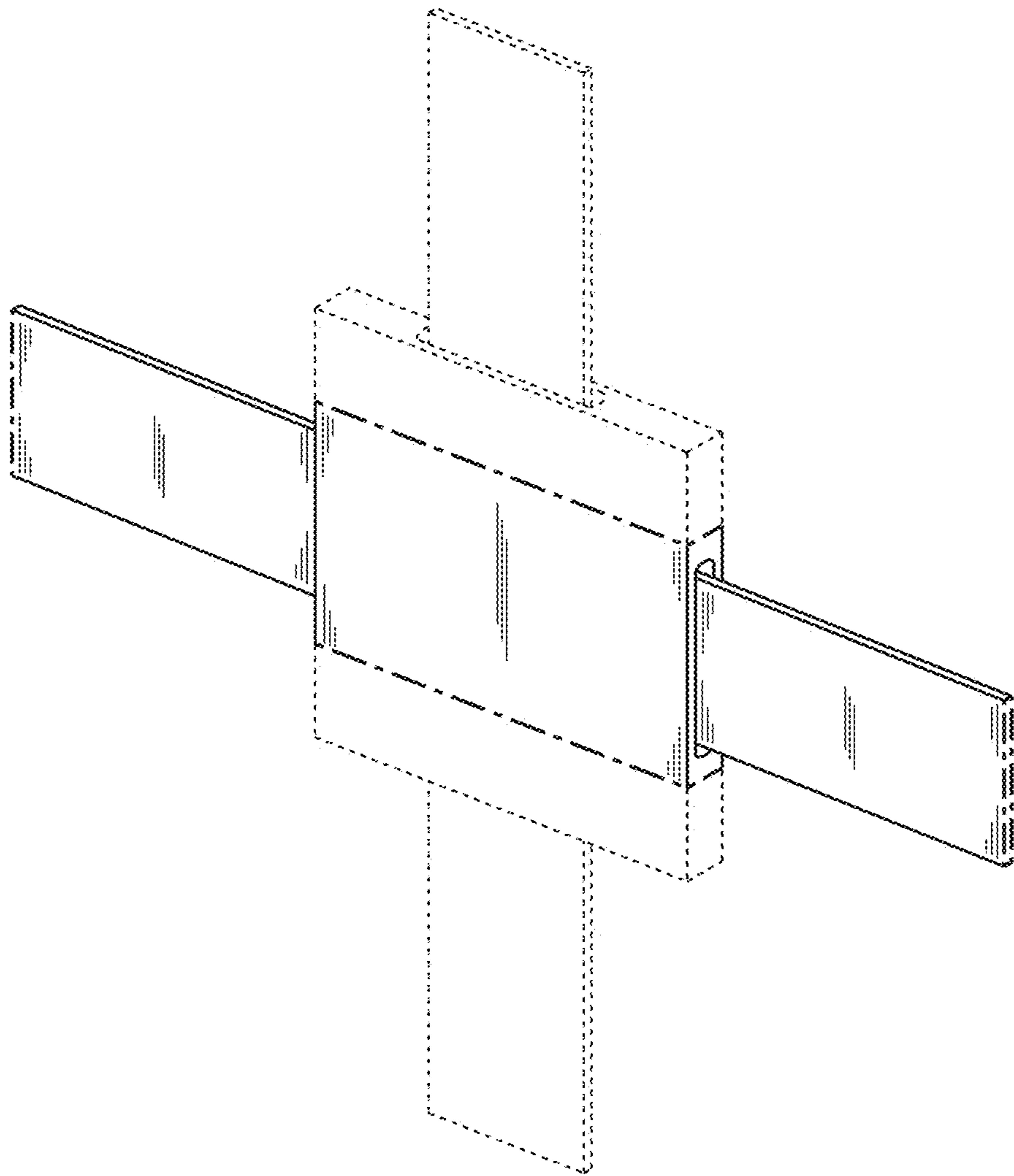


FIG. 46

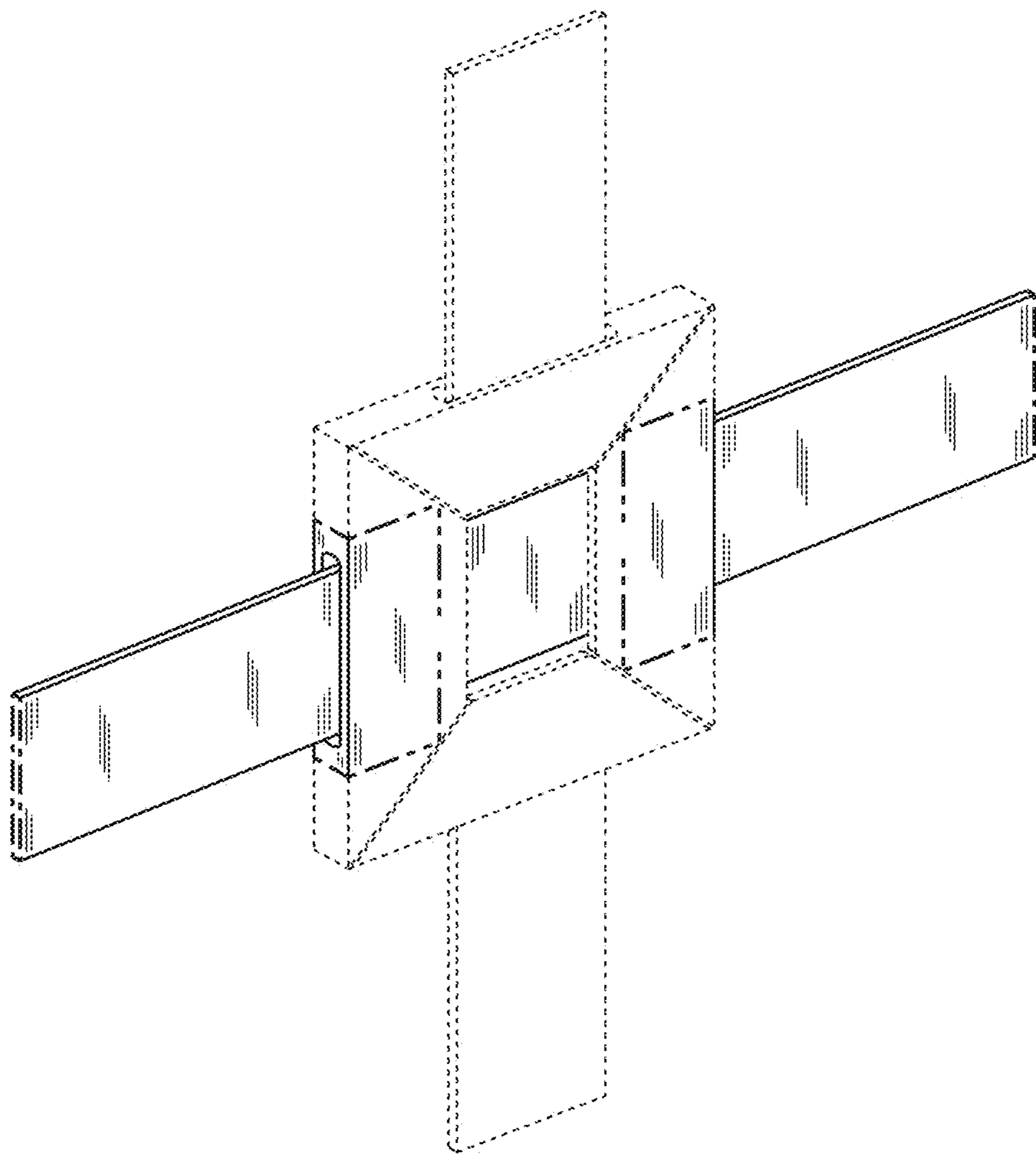


FIG. 47

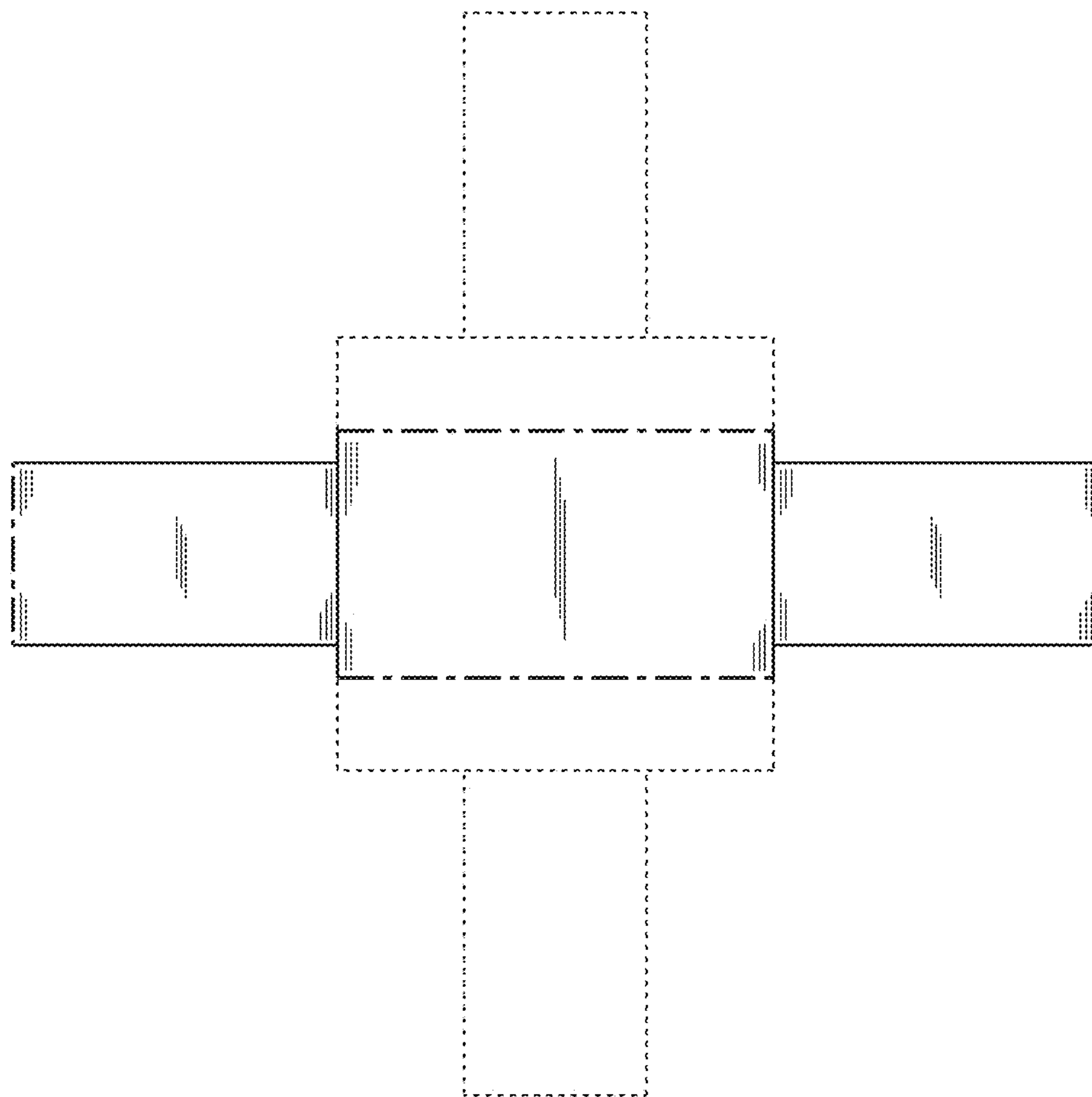


FIG. 48

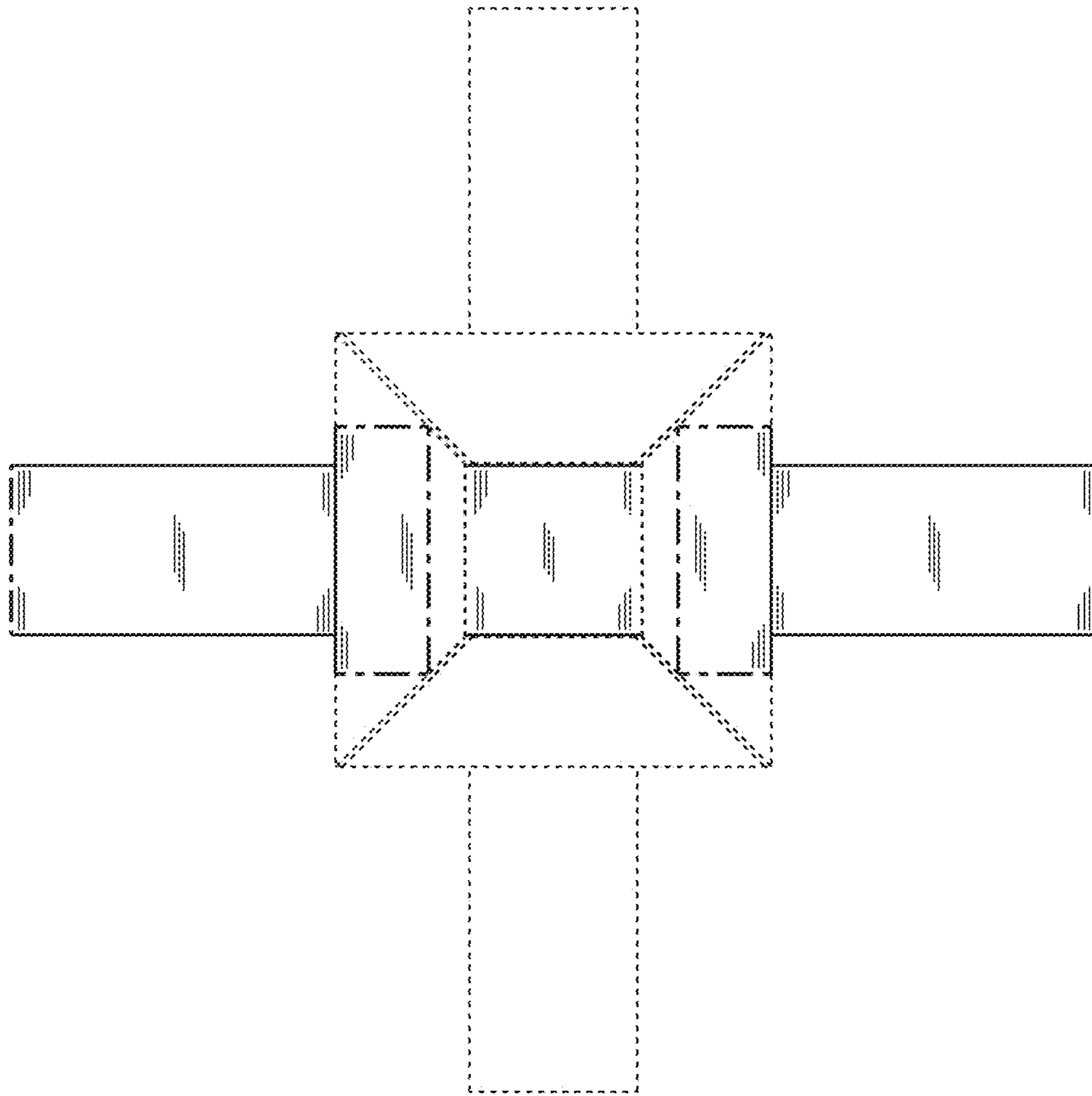


FIG. 49



FIG. 50



FIG. 51



FIG. 52

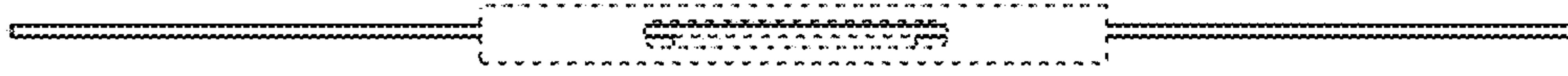


FIG. 53

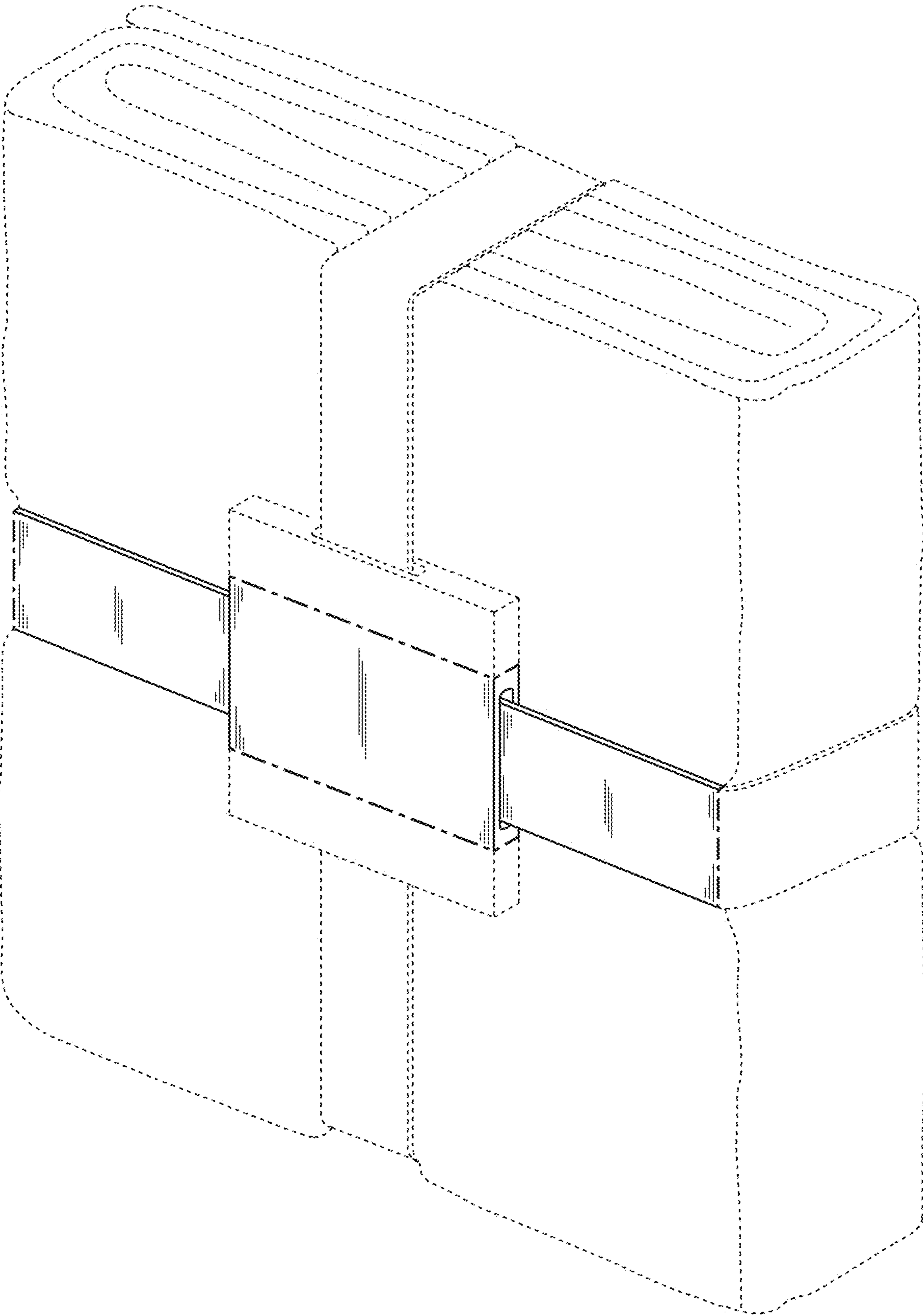


FIG. 54

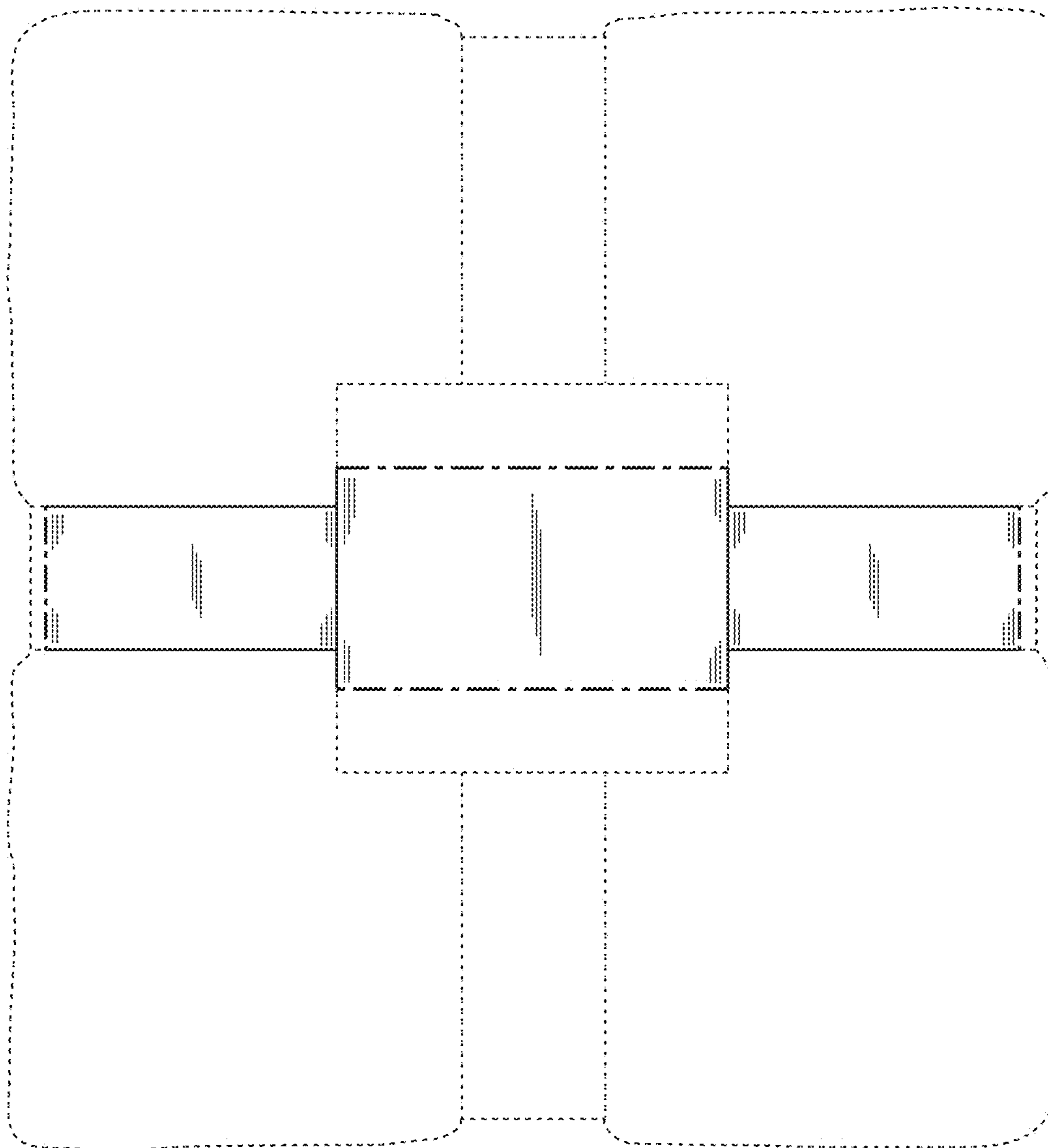


FIG. 55

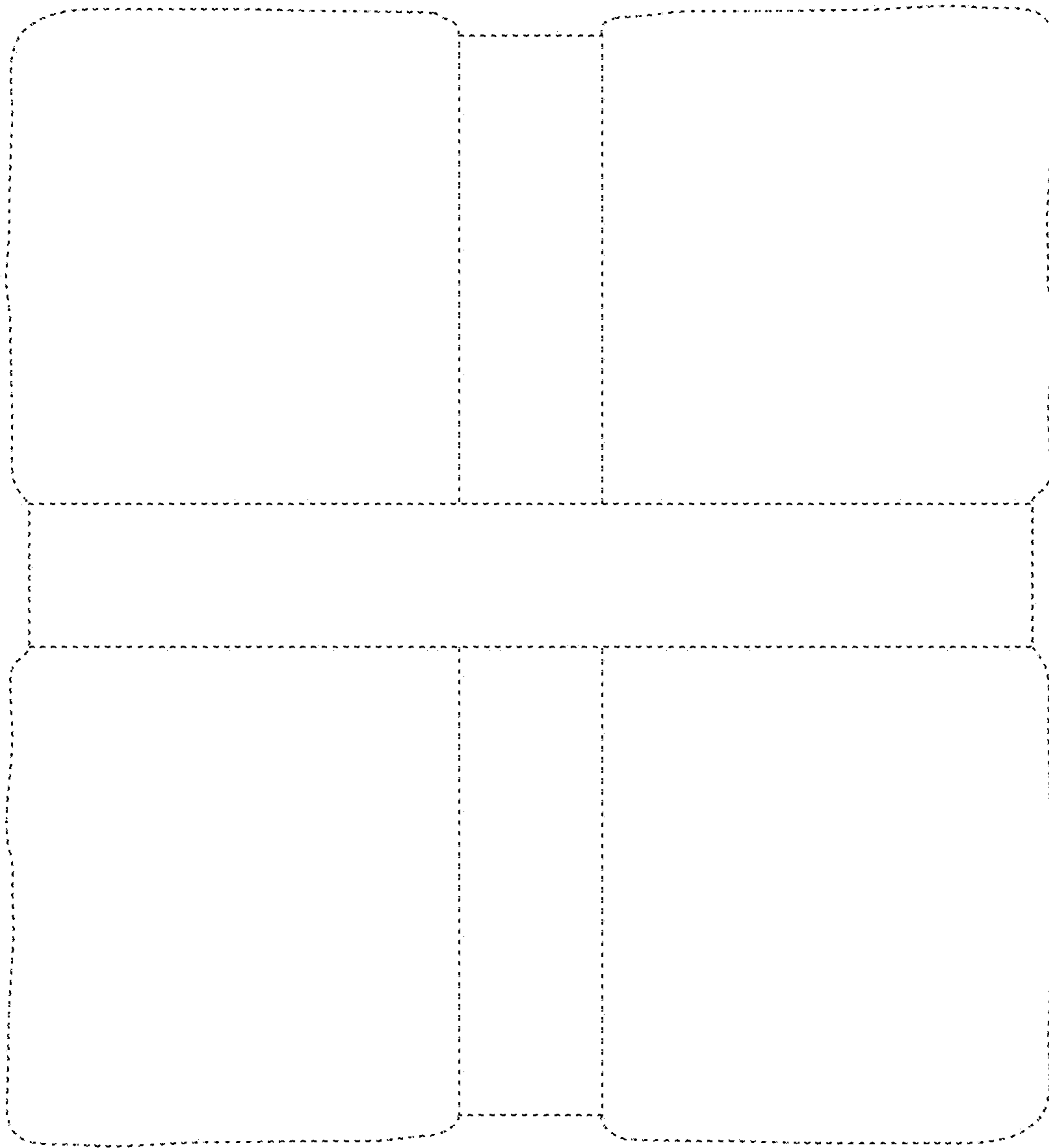


FIG. 56

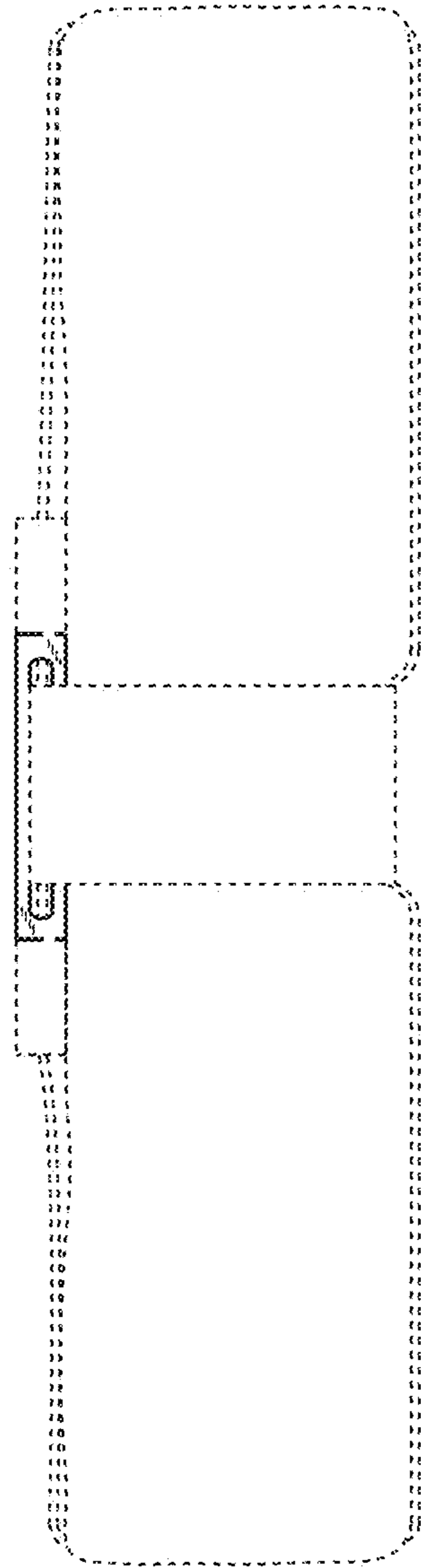


FIG. 57

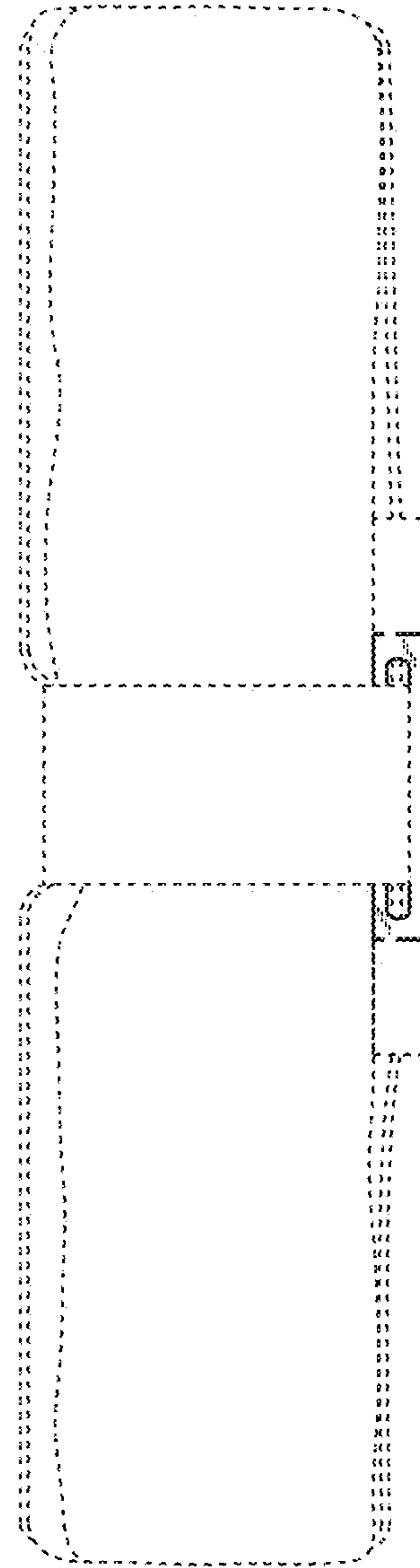


FIG. 58

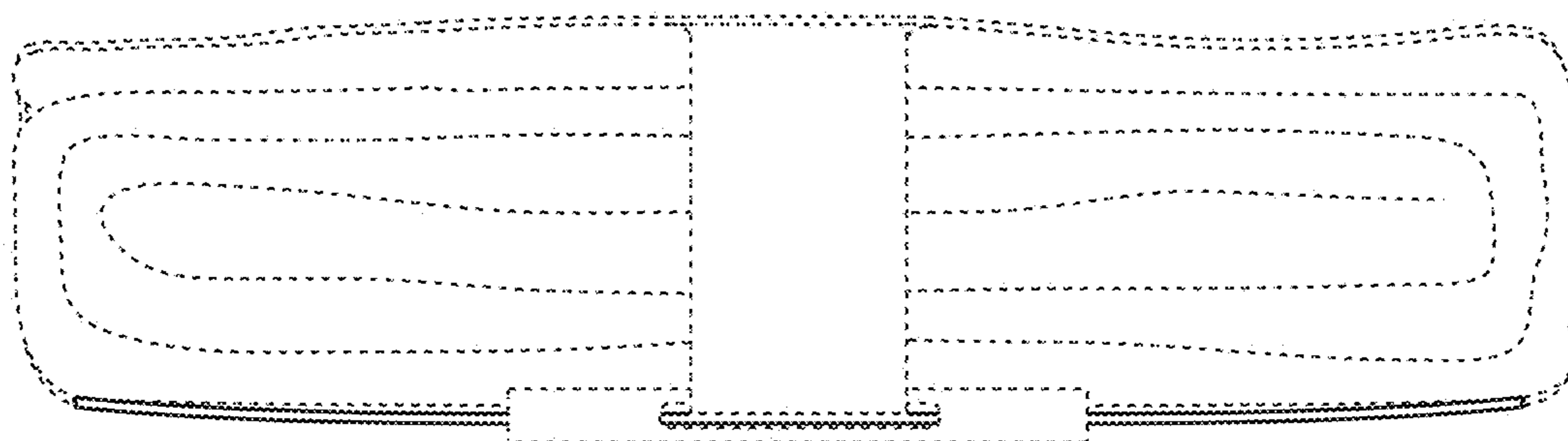


FIG. 59

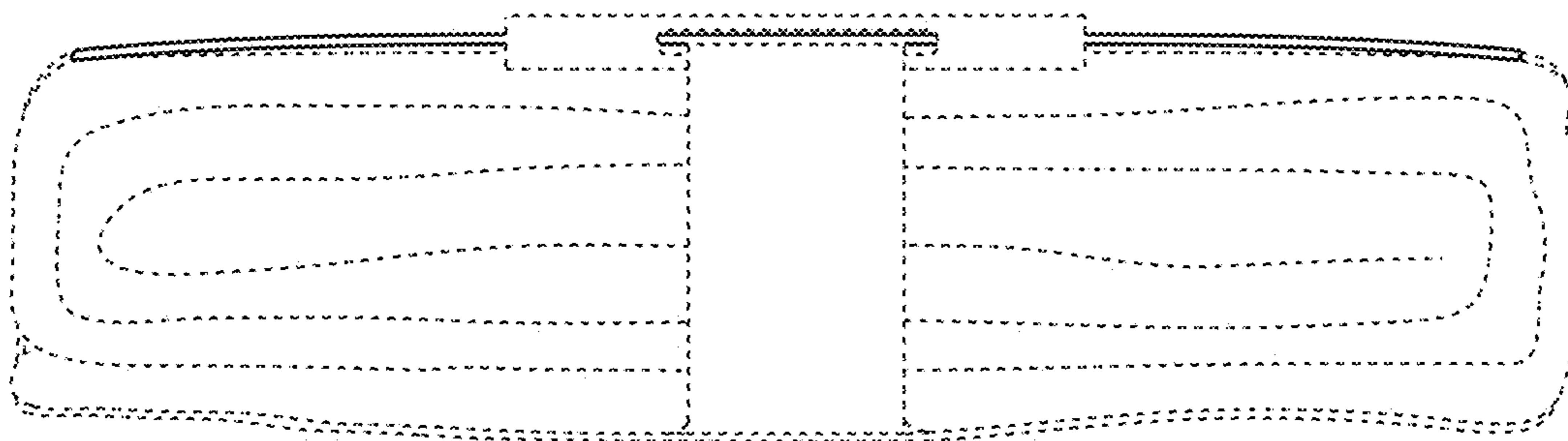


FIG. 60