



US00D915511S

(12) **United States Design Patent**
Orem et al.

(10) **Patent No.:** **US D915,511 S**

(45) **Date of Patent:** **** Apr. 6, 2021**

(54) **CHALK HOLDER**

(71) Applicant: **CRAYOLA, LLC**, Easton, PA (US)

(72) Inventors: **Christopher P. Orem**, Easton, PA (US); **John D. McBride, Jr.**, Easton, PA (US)

(73) Assignee: **Crayola LLC**, Easton, PA (US)

(**) Term: **15 Years**

(21) Appl. No.: **29/720,535**

(22) Filed: **Jan. 14, 2020**

Related U.S. Application Data

(62) Division of application No. 29/649,115, filed on May 25, 2018, now Pat. No. Des. 876,539.

(51) **LOC (13) Cl.** **19-06**

(52) **U.S. Cl.**
USPC **D19/204**

(58) **Field of Classification Search**
USPC D19/75, 77-85, 95, 135, 182, 184-186,
D19/199-204; D3/206, 301
CPC A45C 11/34; A45C 11/36; B43K 23/016;
B43K 23/06; B43M 99/00; B43M 99/001;
B43M 99/006; B43M 99/008
See application file for complete search history.

(56) **References Cited**

U.S. PATENT DOCUMENTS

1,282,511 A	10/1918	Williams	
D60,192 S *	1/1922	Mason, Jr.	D19/185
D60,193 S *	1/1922	Mason, Jr.	D3/206
2,288,878 A	7/1942	Baer	
2,594,759 A *	4/1952	Fischer	G11B 3/48 369/173
3,102,543 A *	9/1963	O'Siel	A24D 1/10 131/349
3,442,595 A	5/1969	Dumas	

3,820,695 A	6/1974	Pecjak	
D272,793 S	2/1984	Appel et al.	
D277,335 S *	1/1985	Lieberman	D19/82
D280,361 S	9/1985	Appel et al.	
4,573,571 A	3/1986	Leem	
D301,252 S	5/1989	Ohashi et al.	
4,878,867 A	11/1989	Dworman et al.	
4,991,299 A	2/1991	Dietterich et al.	
5,002,182 A	3/1991	McGinnis	
D332,157 S *	12/1992	Patterson	D30/155
D332,508 S	1/1993	Kammerdiener, Jr.	
D341,387 S	11/1993	Koneval	
D345,581 S	3/1994	Popovits	
D348,080 S	6/1994	Popovits	
D382,009 S	8/1997	Miller, Jr.	

(Continued)

Primary Examiner — Elizabeth A. Albert

(74) *Attorney, Agent, or Firm* — Shook, Hardy & Bacon LLP

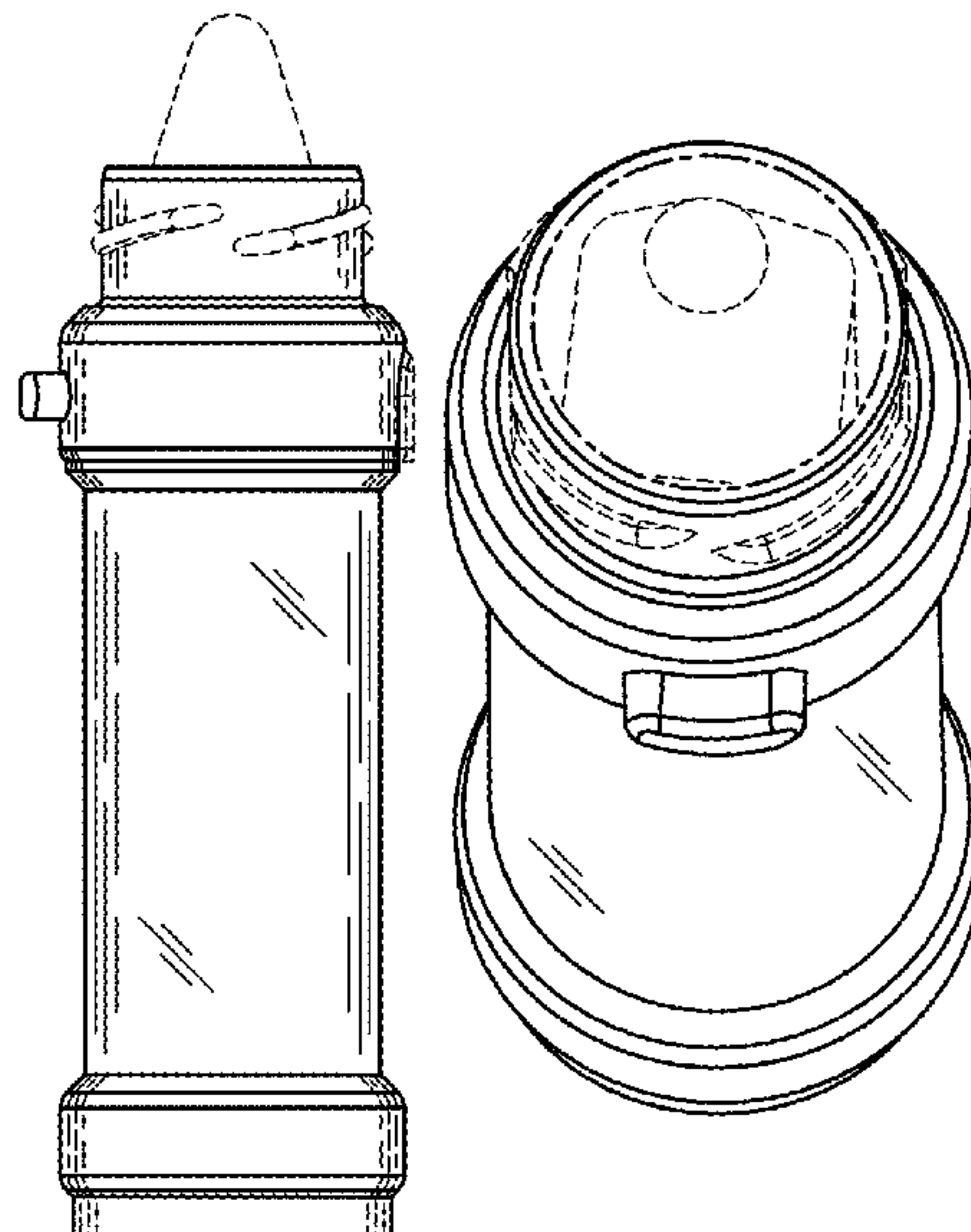
(57) **CLAIM**

The ornamental design for a chalk holder, as shown and described.

DESCRIPTION

FIG. 1 is a front view of a chalk holder showing our design; FIG. 2 is a rear view thereof; FIG. 3 is a side view thereof and the other side that is not illustrated is a mirror image; FIG. 4 is a top view thereof; FIG. 5 is a bottom view thereof; FIG. 6 is top perspective view thereof slightly enlarged to show some details; and, FIG. 7 is a bottom perspective view thereof slightly enlarged to show some details. The even length broken lines depict unclaimed portions of the chalk holder. The long and short broken lines define the bounds of the claimed design and form no part thereof.

1 Claim, 2 Drawing Sheets



(56)

References Cited

U.S. PATENT DOCUMENTS

5,813,786 A 9/1998 Fraenkel
 D422,748 S 4/2000 Lang
 D429,845 S 8/2000 Lang
 6,113,520 A * 9/2000 Greiner A63B 5/20
 401/6
 D445,831 S 7/2001 Lindner
 6,685,373 B1 2/2004 Liu
 6,877,922 B2 4/2005 Ahmed
 6,960,039 B2 11/2005 Sieling et al.
 6,974,026 B2 12/2005 Chan et al.
 D545,895 S 7/2007 Okutani
 7,237,971 B2 7/2007 Osborne
 7,575,334 B2 * 8/2009 Becnel B25H 7/04
 362/109
 D604,767 S 11/2009 Hung
 D605,693 S 12/2009 Ng
 D645,506 S 9/2011 Hung
 D679,325 S 4/2013 Liang

D682,937 S 5/2013 Larson et al.
 D701,902 S * 4/2014 Nichols D19/85
 D706,163 S 6/2014 Roth
 D730,448 S 5/2015 Rau et al.
 D750,968 S 3/2016 Marseglia
 D807,960 S * 1/2018 Lo D19/204
 D843,452 S * 3/2019 Marshall D19/203
 D851,703 S 6/2019 Hung
 10,328,743 B2 * 6/2019 Marshall B43K 29/004
 D876,539 S 2/2020 Orem et al.
 2003/0016988 A1 1/2003 McDonnell et al.
 2007/0048061 A1 * 3/2007 Travers B65D 75/366
 401/6
 2007/0059089 A1 * 3/2007 Junkins B43K 25/024
 401/195
 2011/0250004 A1 10/2011 Chung
 2012/0318707 A1 * 12/2012 Zivitz B43K 29/007
 206/575
 2017/0232781 A1 8/2017 Nguyen
 2018/0339542 A1 11/2018 Orem et al.

* cited by examiner

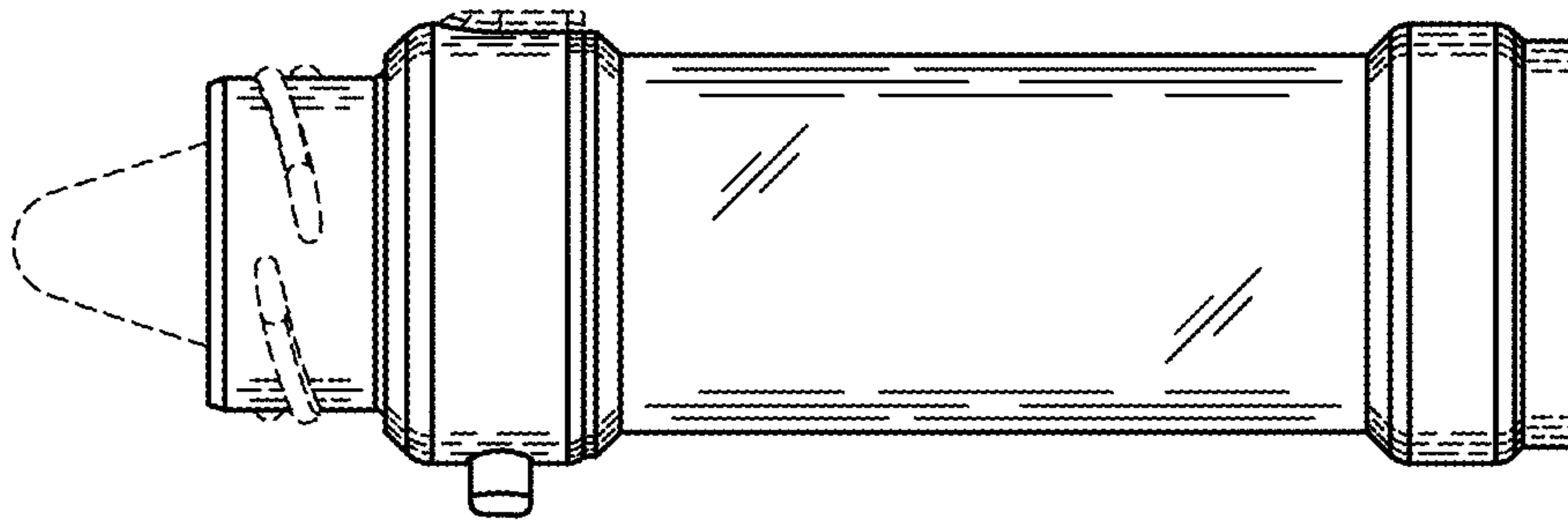


FIG. 1

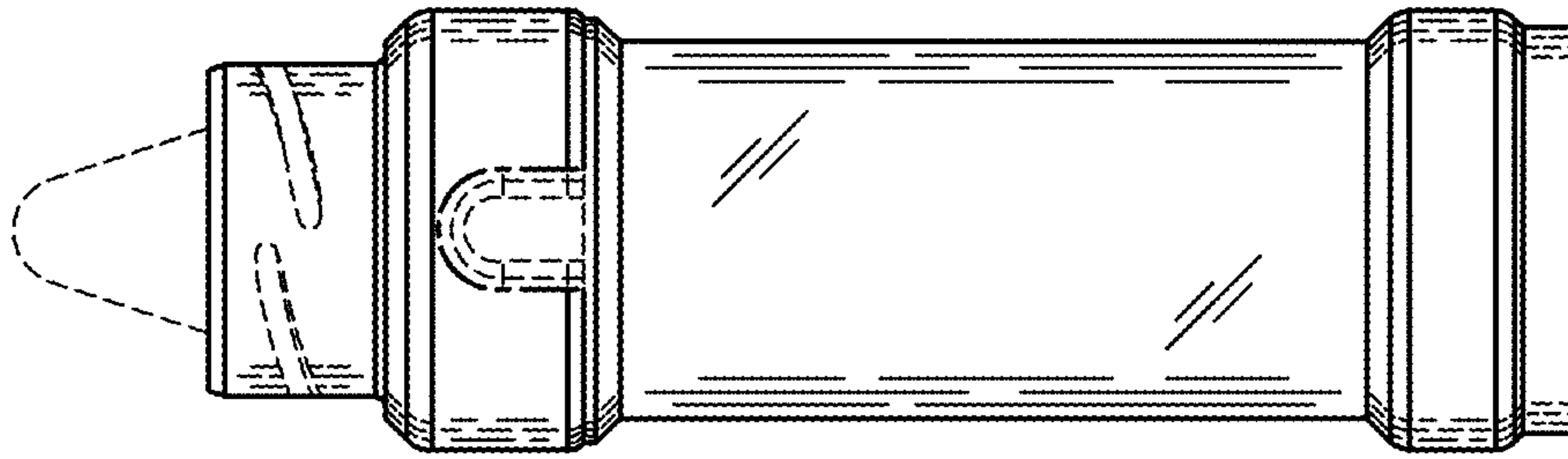


FIG. 2

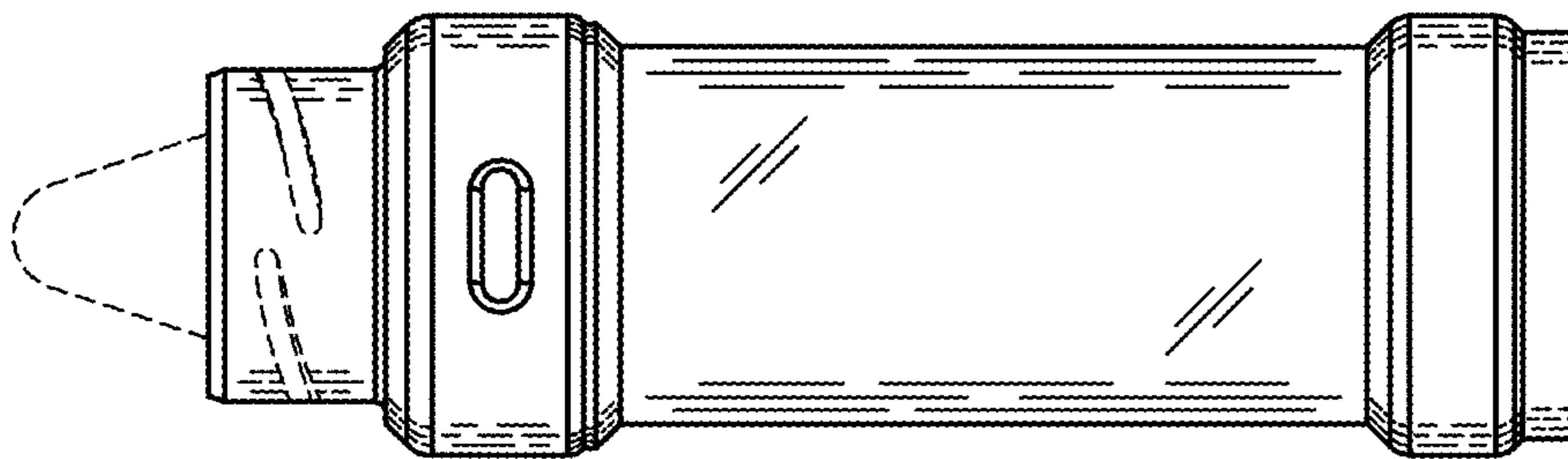


FIG. 3

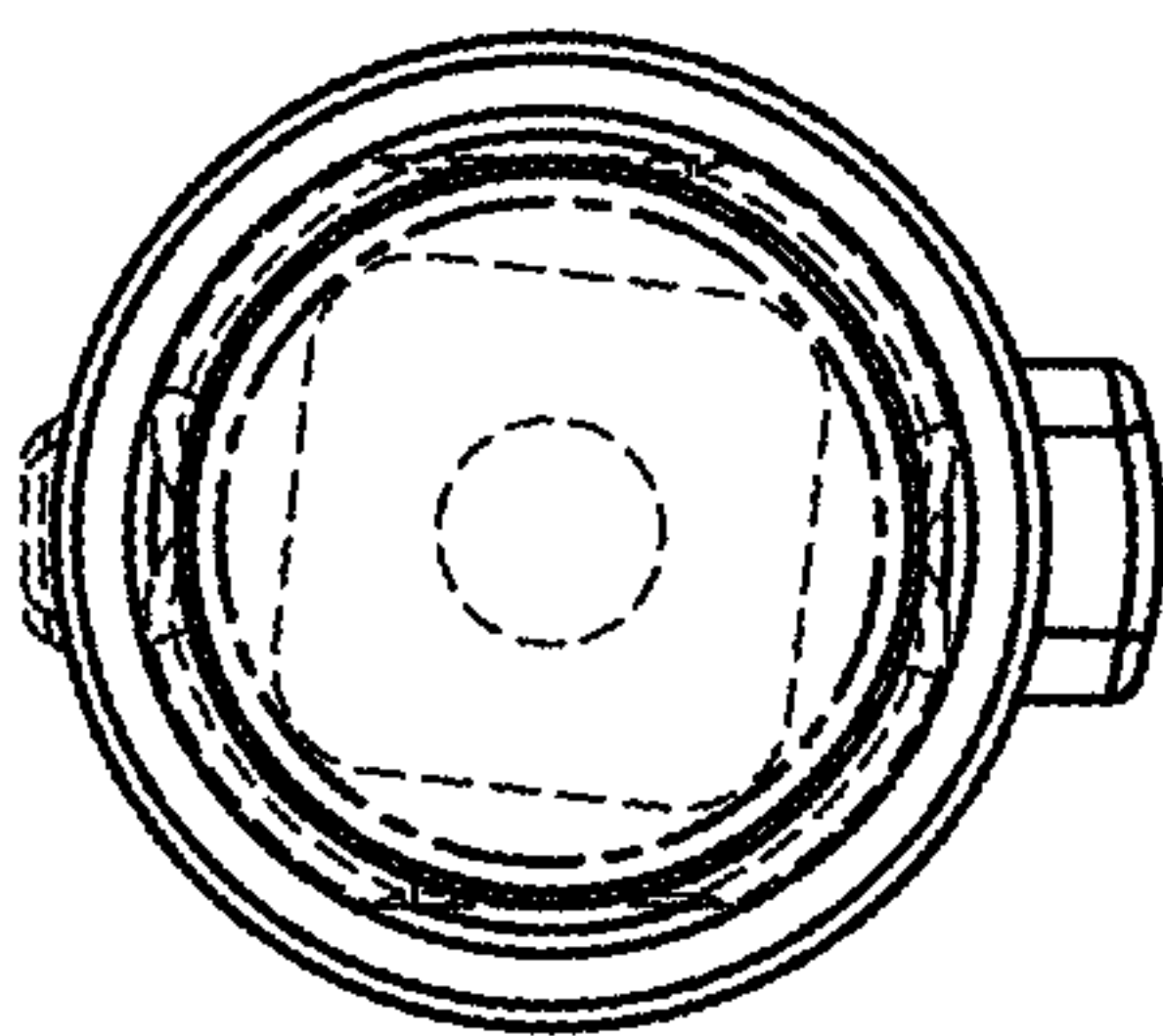


FIG. 4

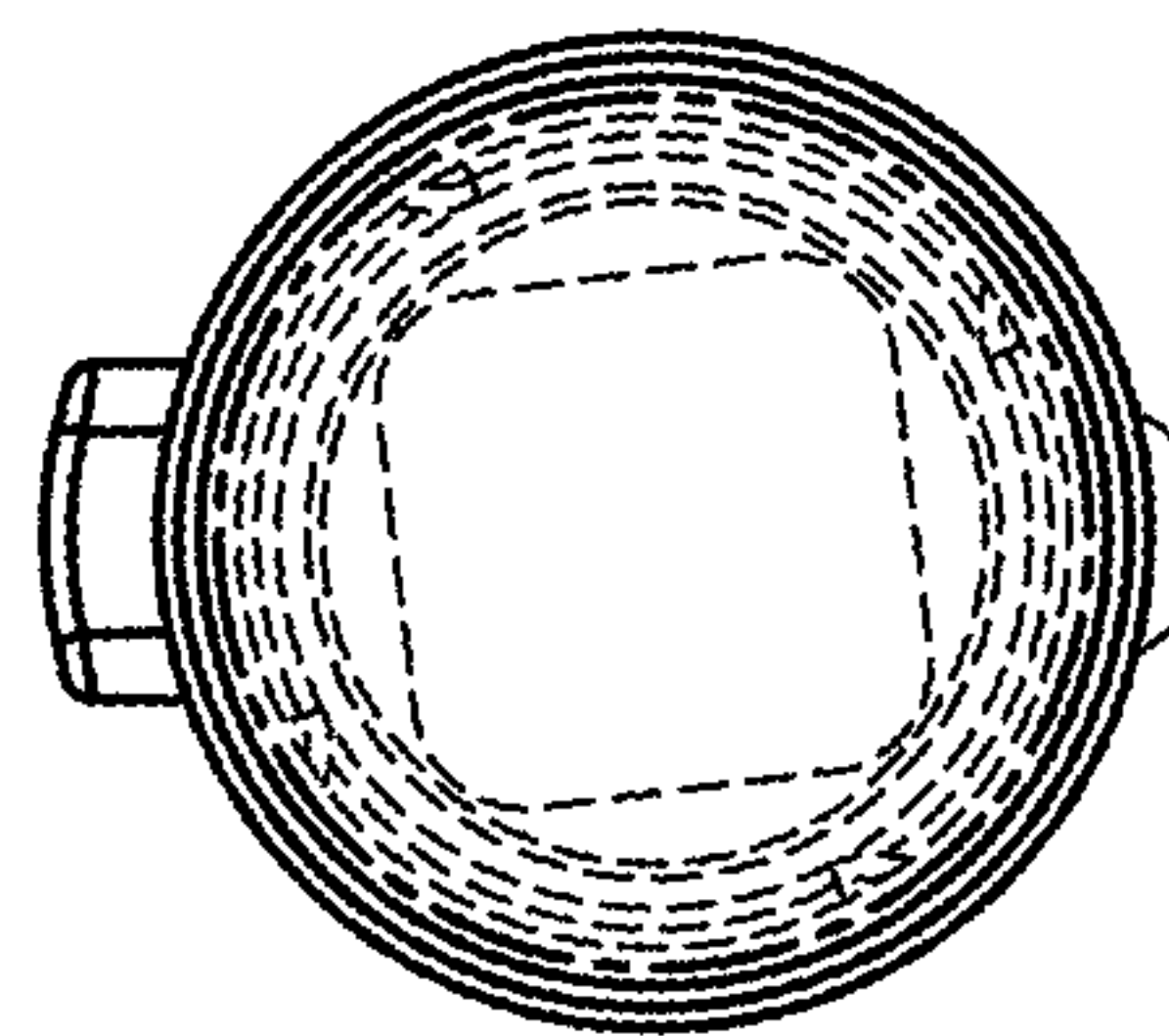


FIG. 5

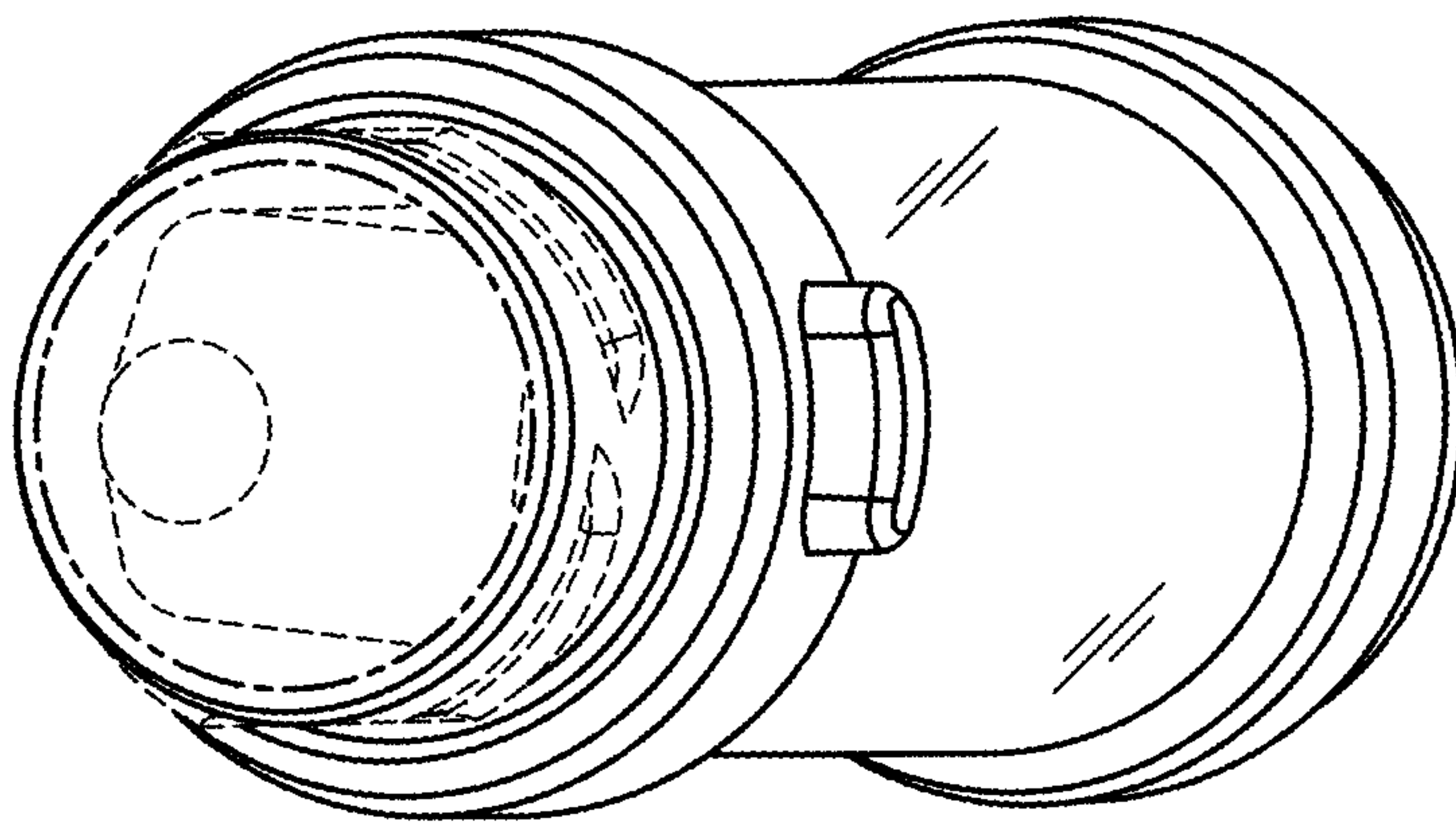


FIG. 6

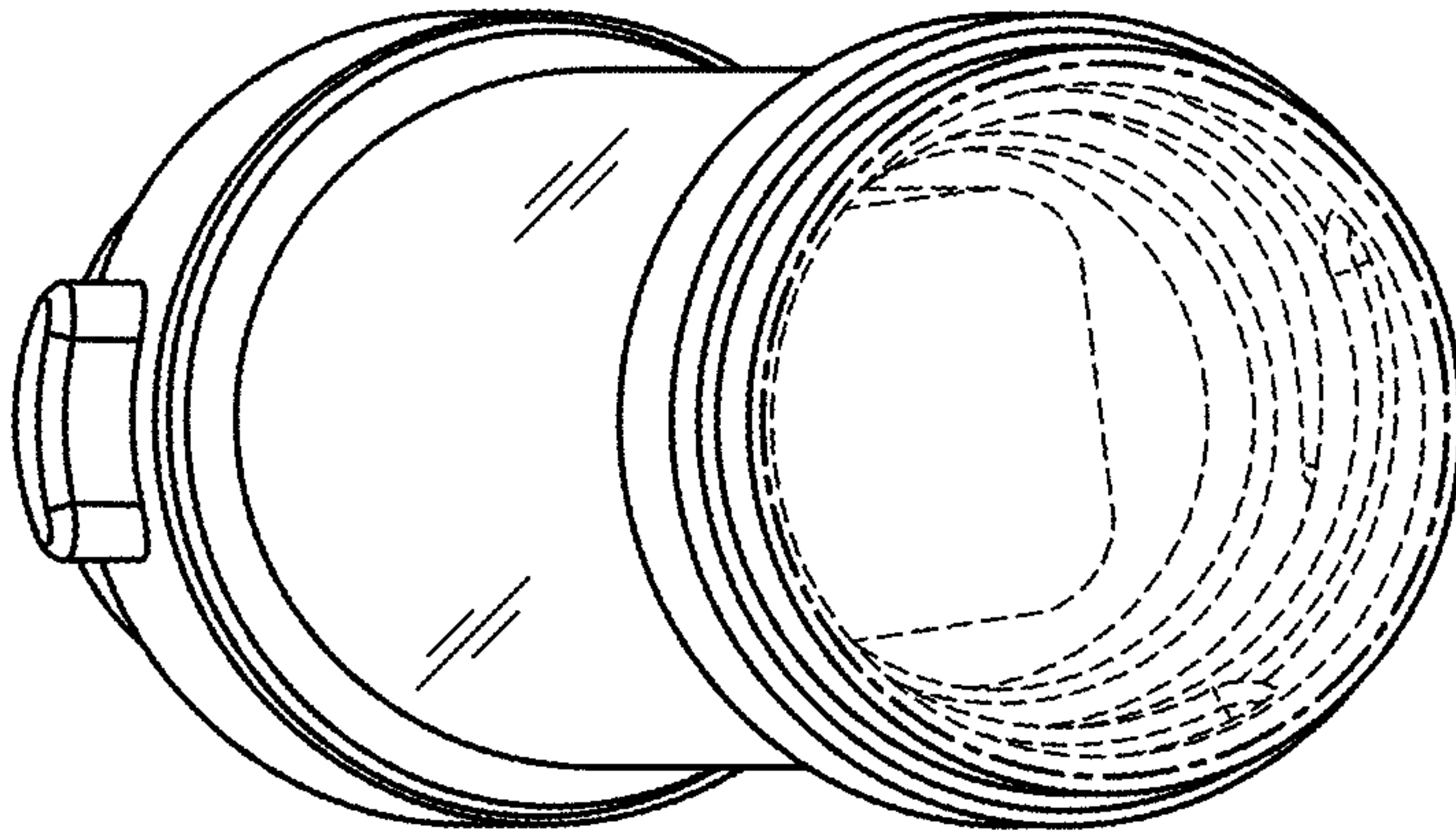


FIG. 7