

US00D915510S

(12) **United States Design Patent** (10) **Patent No.:** **US D915,510 S**
Orem et al. (45) **Date of Patent:** **** Apr. 6, 2021**

(54) **CHALK HOLDER**
(71) Applicant: **CRAYOLA, LLC**, Easton, PA (US)
(72) Inventors: **Christopher P. Orem**, Easton, PA (US); **John D. McBride, Jr.**, Easton, PA (US)
(73) Assignee: **Crayola LLC**, Easton, PA (US)
(**) Term: **15 Years**
(21) Appl. No.: **29/720,534**
(22) Filed: **Jan. 14, 2020**

3,102,543 A * 9/1963 O'Siel A24D 1/10
131/349
3,442,595 A 5/1969 Dumas
3,820,695 A 6/1974 Pecjak
D272,793 S 2/1984 Appel et al.
D277,335 S * 1/1985 Lieberman D19/82
D280,361 S 9/1985 Appel et al.
4,573,571 A 3/1986 Leem
D301,252 S 5/1989 Ohashi et al.
4,878,867 A 11/1989 Dworman et al.
4,991,299 A 2/1991 Dieterich et al.
5,002,182 A 3/1991 McGinnis
D332,157 S * 12/1992 Patterson D30/155
D332,508 S 1/1993 Kammerdiener, Jr.
D341,387 S 11/1993 Koneval
D345,581 S 3/1994 Popovits
D348,080 S 6/1994 Popovits
D382,009 S 8/1997 Miller, Jr.
5,813,786 A 9/1998 Fraenkel
D422,748 S 4/2000 Lang
D429,845 S 8/2000 Lang

Related U.S. Application Data

(62) Division of application No. 29/649,109, filed on May 25, 2018, now Pat. No. Des. 876,538.
(51) **LOC (13) Cl.** **19-06**
(52) **U.S. Cl.**
USPC **D19/204**
(58) **Field of Classification Search**
USPC D19/75, 77-85, 95, 135, 182, 184-186, D19/199-204; D3/206, 301
CPC A45C 11/34; A45C 11/36; B43K 23/016; B43K 23/06; B43M 99/00; B43M 99/001; B43M 99/006; B43M 99/008
See application file for complete search history.

References Cited

U.S. PATENT DOCUMENTS

1,282,511 A 10/1918 Williams
D60,192 S * 1/1922 Mason, Jr. D19/185
D60,193 S * 1/1922 Mason, Jr. D3/206
2,288,878 A 7/1942 Baer
2,594,759 A * 4/1952 Fischer G11B 3/48
369/173

(Continued)

Primary Examiner — Elizabeth A. Albert
(74) *Attorney, Agent, or Firm* — Shook, Hardy & Bacon LLP

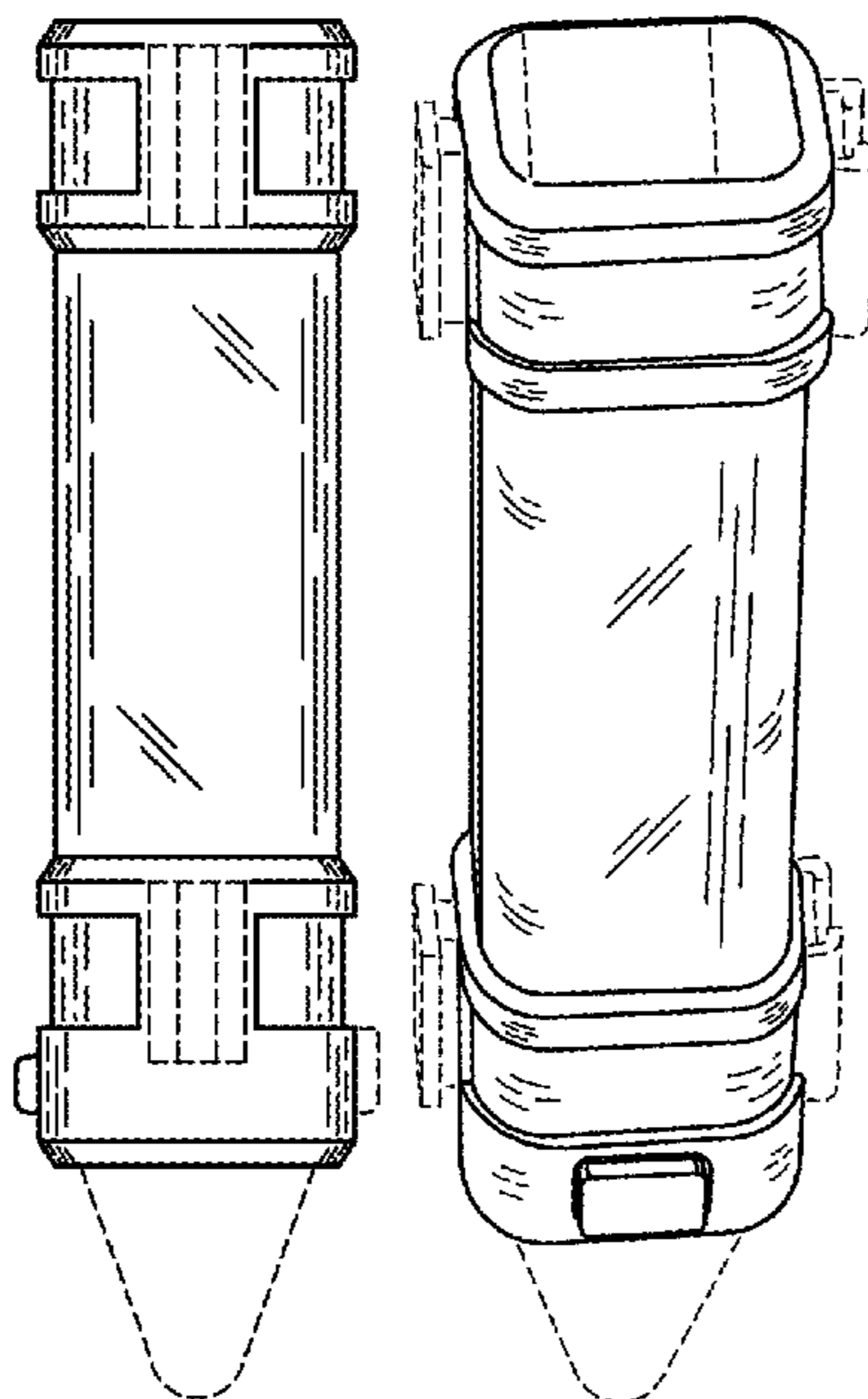
CLAIM

(57) The ornamental design for a chalk holder, as shown and described.

DESCRIPTION

FIG. 1 is a front view of a chalk holder showing our design; FIG. 2 is a rear view thereof; FIG. 3 is a first side view thereof; FIG. 4 is a second side view thereof; FIG. 5 is a top view thereof; FIG. 6 is a bottom view thereof; and, FIG. 7 is a perspective view thereof. The even length broken lines depict unclaimed portions of the chalk holder.

1 Claim, 2 Drawing Sheets



(56)

References Cited

U.S. PATENT DOCUMENTS

6,113,520 A *	9/2000	Greiner	A63B 5/20	D682,937 S	5/2013	Larson et al.	
				401/6	D701,902 S *	4/2014	Nichols D19/85
D445,831 S	7/2001	Lindner			D706,163 S	6/2014	Roth	
6,685,373 B1	2/2004	Liu			D730,448 S	5/2015	Rau et al.	
6,877,922 B2	4/2005	Ahmed			D750,968 S	3/2016	Marseglia	
6,960,039 B2	11/2005	Sieling et al.			D807,960 S *	1/2018	Lo D19/204
6,974,026 B2	12/2005	Chan et al.			D843,452 S *	3/2019	Marshall D19/203
D545,895 S	7/2007	Okutani			D851,703 S	6/2019	Hung	
7,237,971 B2	7/2007	Obsorne			10,328,743 B2 *	6/2019	Marshall B43K 29/004
7,575,334 B2 *	8/2009	Becnel	B25H 7/04	D876,538 S	2/2020	Orem et al.	
				362/109	2003/0016988 A1	1/2003	McDonnell et al.	
D604,767 S	11/2009	Hung			2007/0048061 A1 *	3/2007	Travers B65D 75/366
D605,693 S	12/2009	Ng						401/6
7,774,963 B2 *	8/2010	Puglisi	G09F 23/00	2007/0059089 A1 *	3/2007	Junkins B43K 25/024
				40/334				401/195
D645,506 S	9/2011	Hung			2011/0250004 A1	10/2011	Chung	
D679,325 S	4/2013	Liang			2012/0318707 A1 *	12/2012	Zivitz B43K 29/007
								206/575
					2017/0232781 A1	8/2017	Nguyen	
					2018/0339542 A1	11/2018	Orem et al.	

* cited by examiner

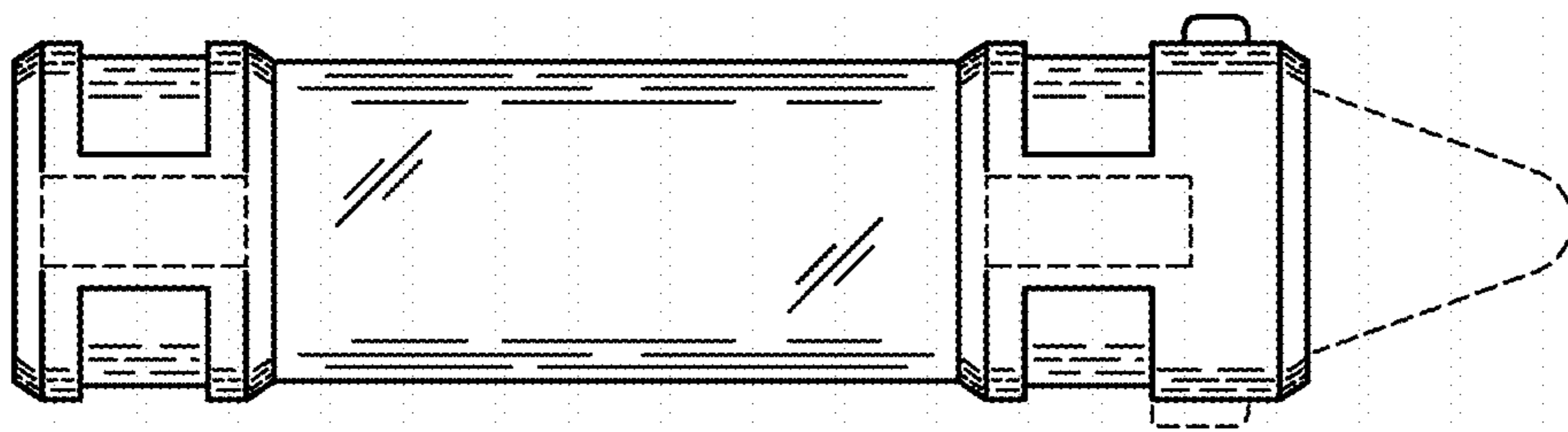


FIG. 1.

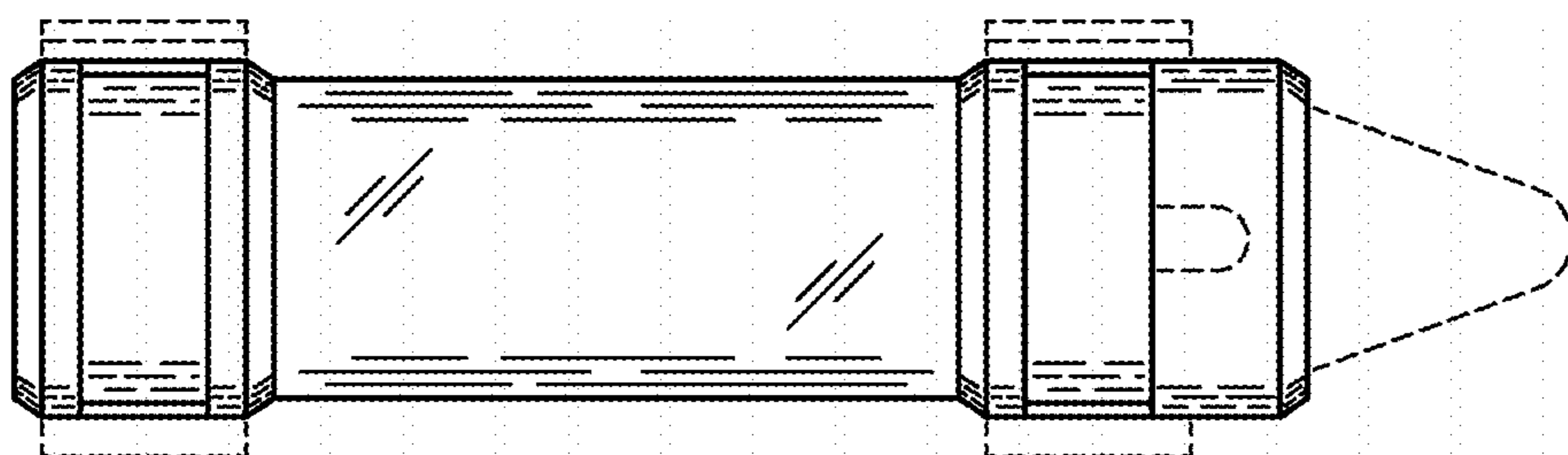


FIG. 2.

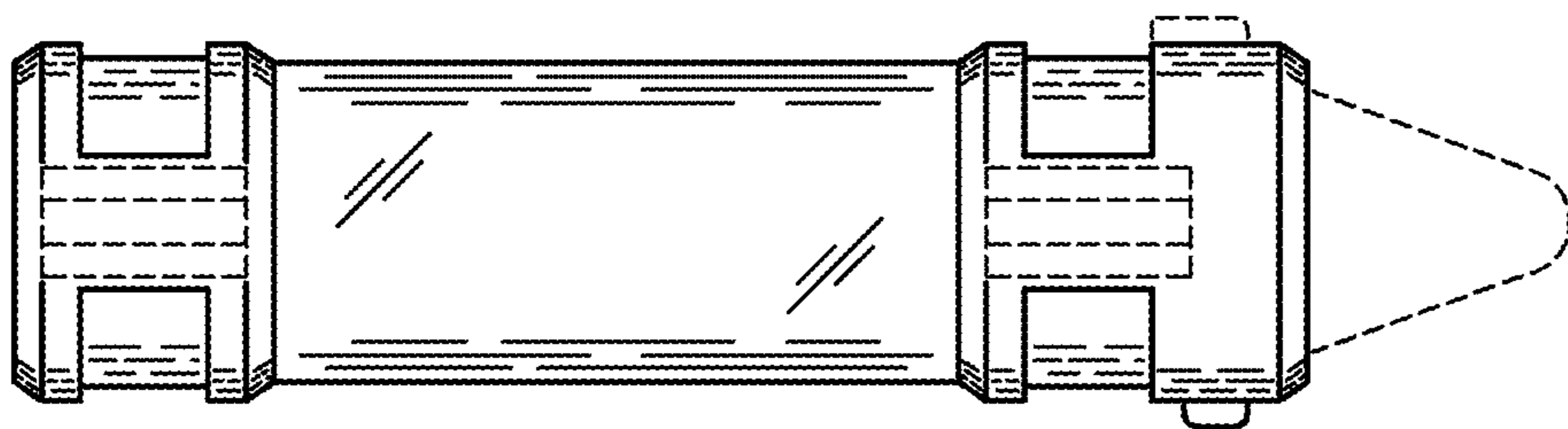


FIG. 3.

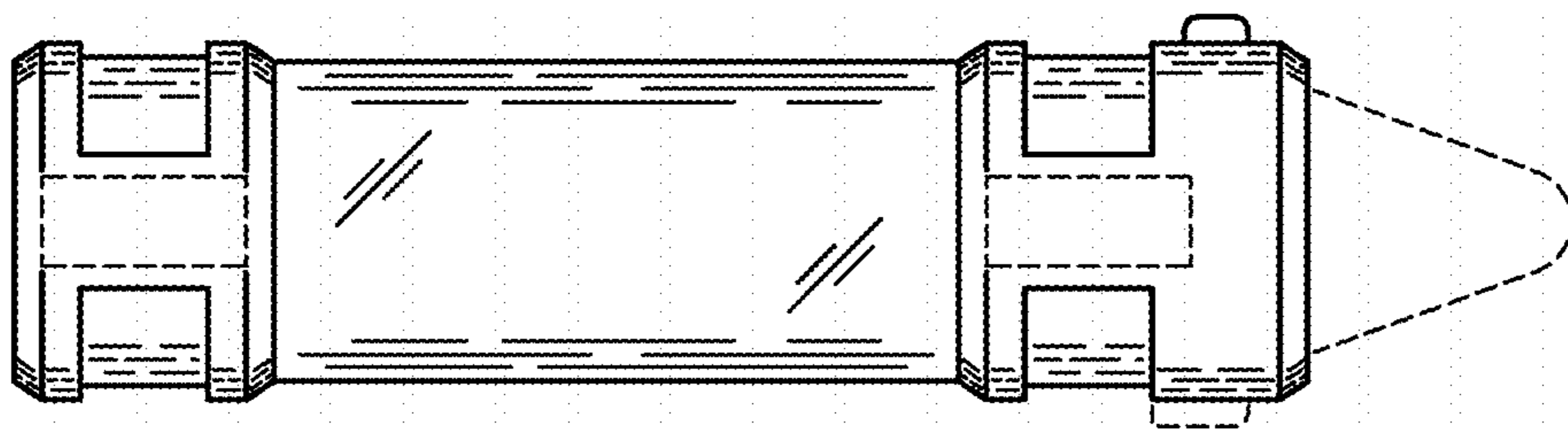


FIG. 4.

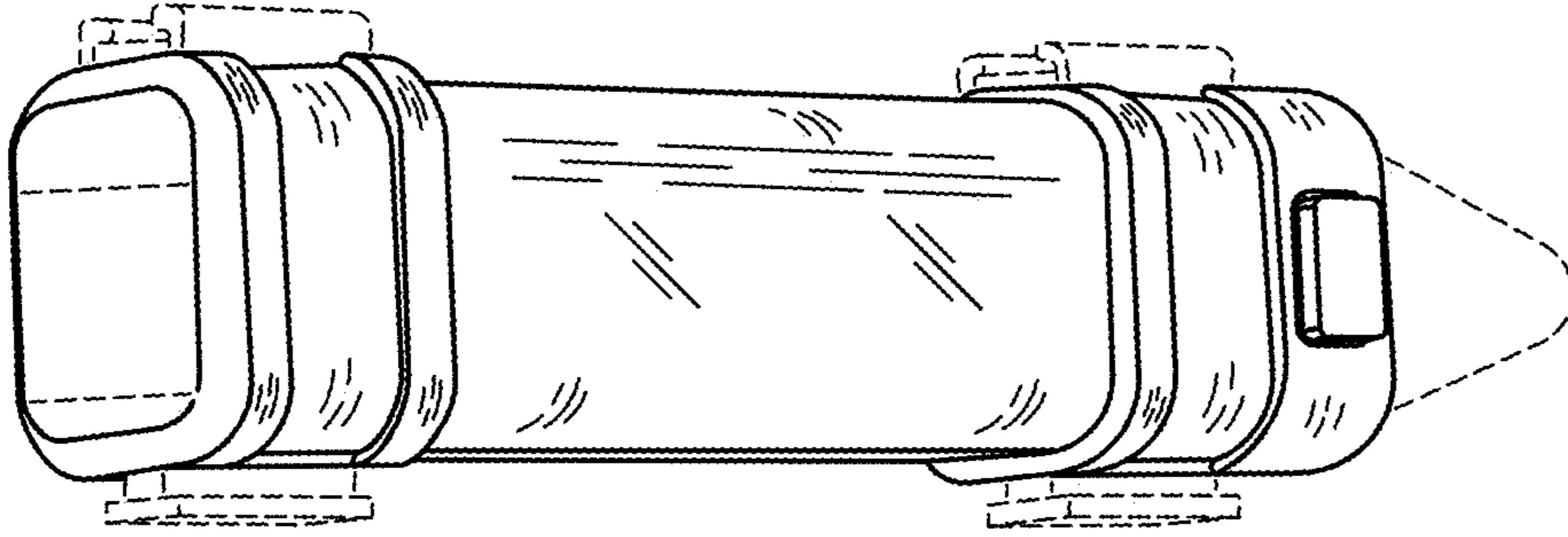


FIG. 7.

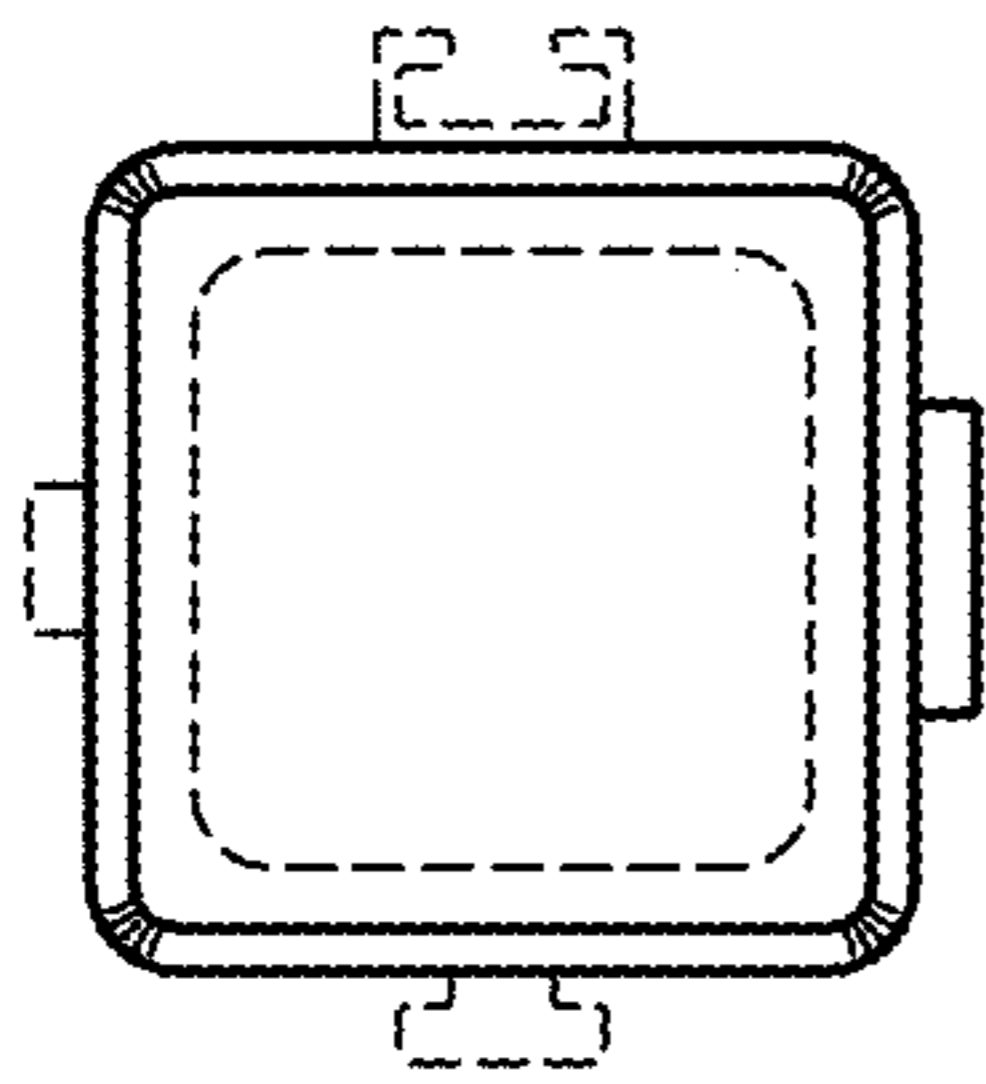


FIG. 5.

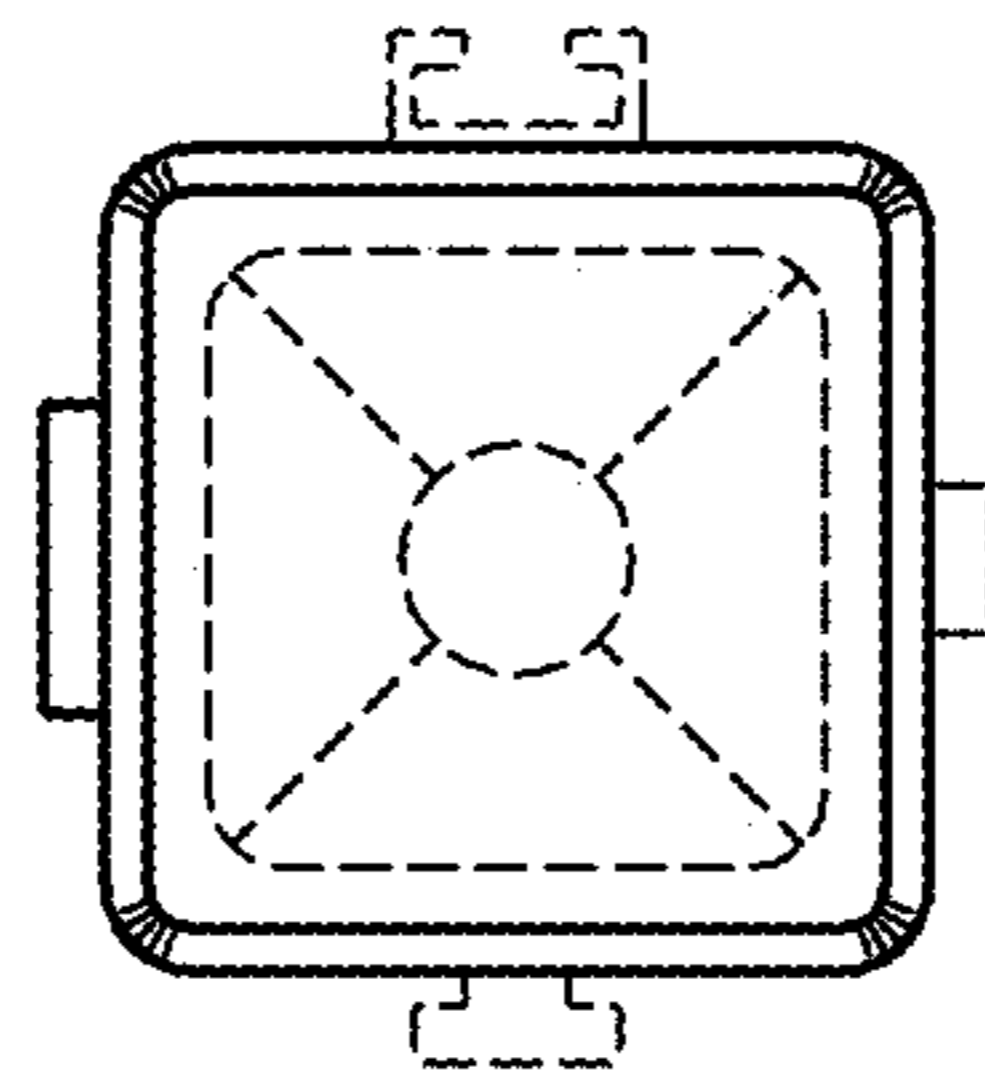


FIG. 6.