



US00D915509S

(12) **United States Design Patent** (10) **Patent No.:** **US D915,509 S**  
**Ventura** (45) **Date of Patent:** **\*\* Apr. 6, 2021**

(54) **WRITING UTENSIL STAND**  
(71) Applicant: **Isaac Reyes Ventura**, Santa Monica, CA (US)  
(72) Inventor: **Isaac Reyes Ventura**, Santa Monica, CA (US)  
(\*\*) Term: **15 Years**  
(21) Appl. No.: **29/700,948**  
(22) Filed: **Aug. 7, 2019**  
(51) **LOC (13) Cl.** ..... **19-06**  
(52) **U.S. Cl.**  
USPC ..... **D19/85**  
(58) **Field of Classification Search**  
USPC ..... D19/75, 77-85, 95, 135; D3/206, 301; D14/432, 252  
CPC ..... A45C 11/34; A45C 11/36; B43K 23/016; B43K 23/06; B43M 99/00; B43M 99/001; B43M 99/006; B43M 99/008  
See application file for complete search history.

(56) **References Cited**  
U.S. PATENT DOCUMENTS  
689,309 A \* 12/1901 Hill ..... B43K 13/00 15/423  
1,727,189 A \* 9/1929 Asche ..... B43K 23/001 24/3.5  
1,904,067 A 4/1933 Mcgehee  
2,121,307 A \* 6/1938 Swift ..... 15/104.001  
D149,335 S \* 4/1948 Beatty ..... D19/23  
D157,239 S \* 2/1950 Crawford ..... D19/85  
D160,161 S \* 9/1950 Gass ..... D19/77  
D179,658 S \* 2/1957 Scelzo ..... D19/85  
D181,305 S \* 10/1957 Martino ..... D19/77  
2,854,147 A \* 9/1958 Derr ..... A01K 97/08 211/70.8

2,957,270 A \* 10/1960 Kennamer, Jr. .... B43K 23/04 211/69.5  
D208,469 S \* 9/1967 Parker ..... D6/672  
3,593,856 A 7/1971 Zander  
D223,661 S \* 5/1972 Berg ..... D24/229  
D224,168 S \* 7/1972 Ventura ..... D19/77  
D225,478 S \* 12/1972 Asche ..... D28/86  
D253,483 S \* 11/1979 Thuringer ..... D19/108  
D282,128 S \* 1/1986 Bell ..... D6/682.2  
4,779,742 A 10/1988 Starkweather et al.  
5,141,117 A 8/1992 Olsen et al.  
D338,780 S \* 8/1993 Rance ..... D12/416  
D345,581 S \* 3/1994 Popovits ..... 401/88  
D348,080 S \* 6/1994 Popovits ..... D19/77  
5,484,066 A 1/1996 Luisi  
D415,530 S \* 10/1999 Ridder ..... D19/77  
6,929,116 B2 8/2005 Chao et al.  
D601,865 S \* 10/2009 Castellucci ..... D7/701  
D636,642 S \* 4/2011 Dulin ..... D7/701  
8,672,571 B2 \* 3/2014 Monzo ..... B43K 29/10 401/195

(Continued)

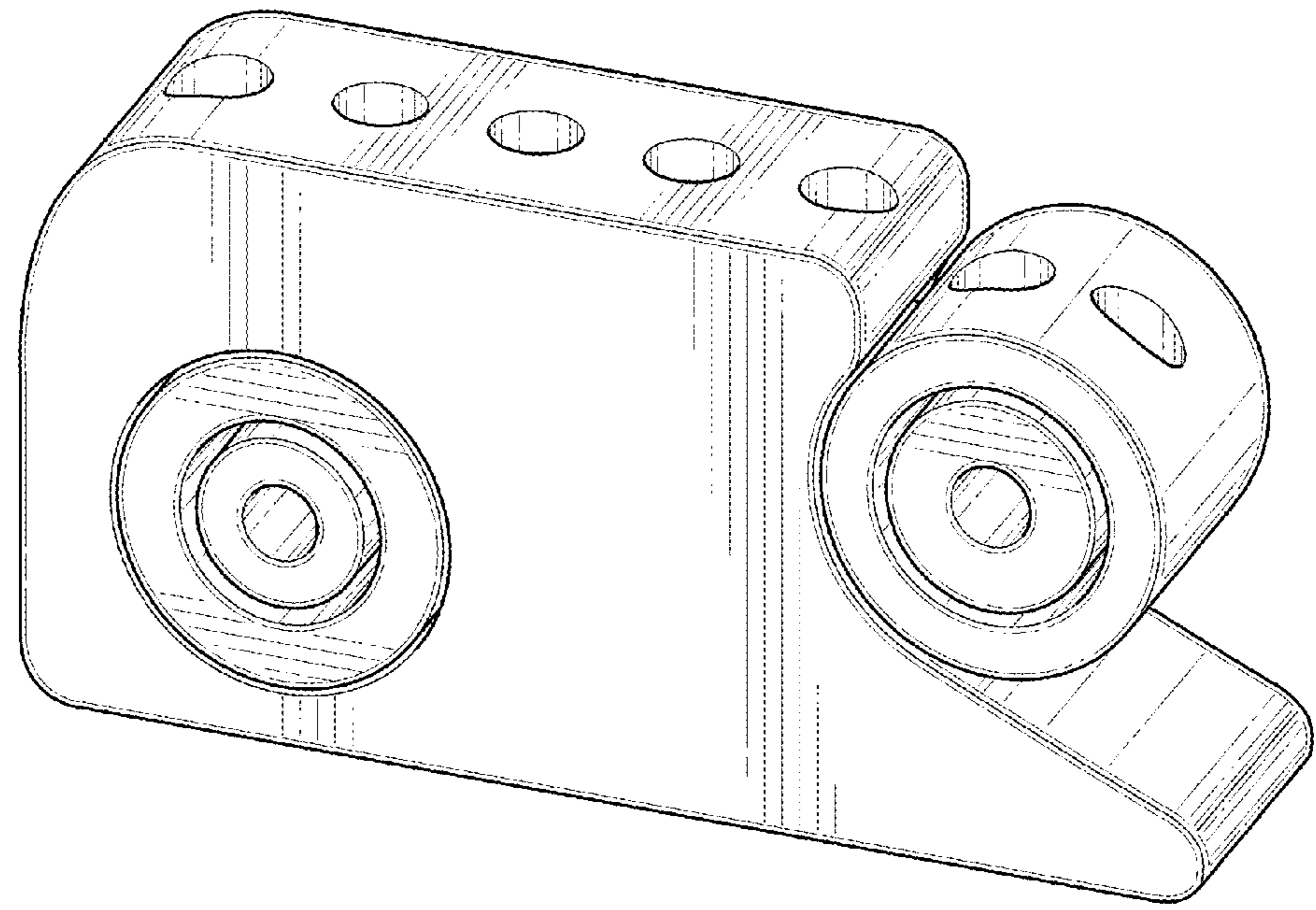
*Primary Examiner* — Elizabeth A. Albert  
(74) *Attorney, Agent, or Firm* — Daniel Boudwin; Boudwin Intellectual Property Law, LLC.

(57) **CLAIM**  
The ornamental design for a writing utensil stand, as shown and described.

**DESCRIPTION**

FIG. 1 shows a perspective view of a writing utensil stand; FIG. 2 shows a front view of the writing utensil stand; FIG. 3 shows a rear view of the writing utensil stand; FIG. 4 shows a right side view of the writing utensil stand; FIG. 5 shows a left side view of the writing utensil stand; FIG. 6 shows a top plan view of the writing utensil stand; and, FIG. 7 shows a bottom plan view of the writing utensil stand.

**1 Claim, 3 Drawing Sheets**



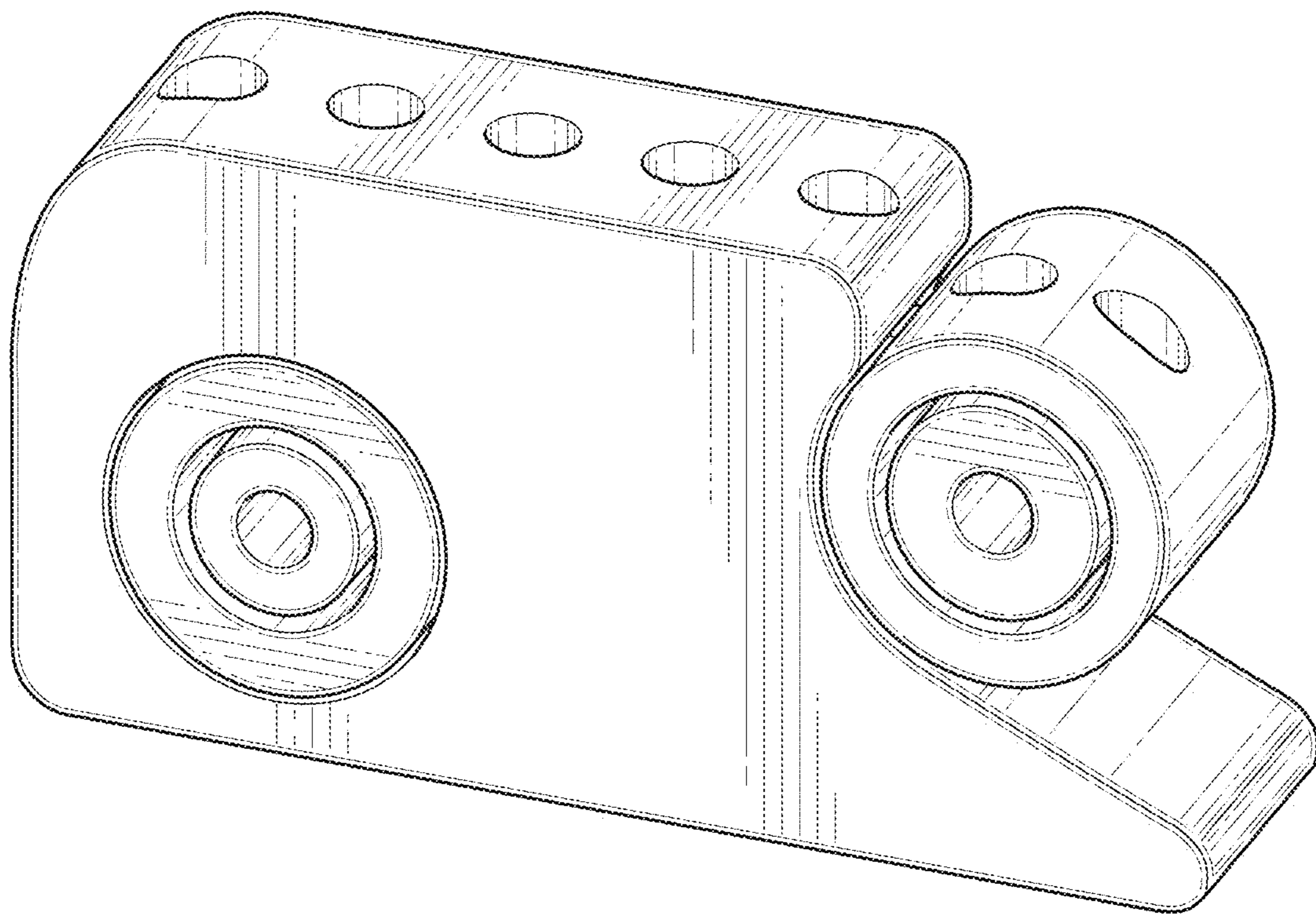
(56)

**References Cited**

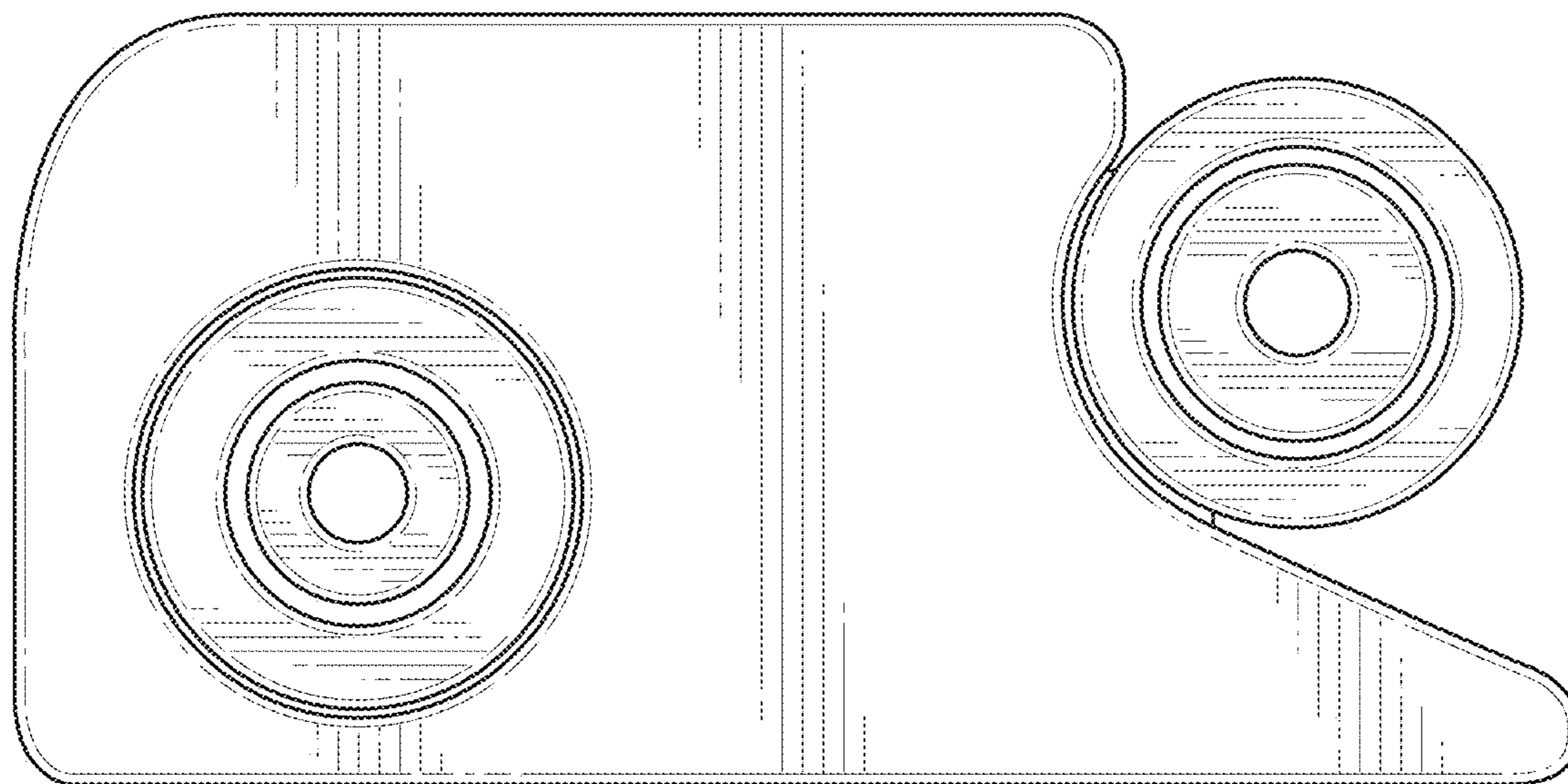
U.S. PATENT DOCUMENTS

D738,039 S \* 9/2015 Chen ..... D27/183  
D776,195 S \* 1/2017 Janosik ..... D19/85  
D891,941 S \* 8/2020 Kim ..... D9/757  
10,787,024 B2 \* 9/2020 Ventura ..... B43K 23/002

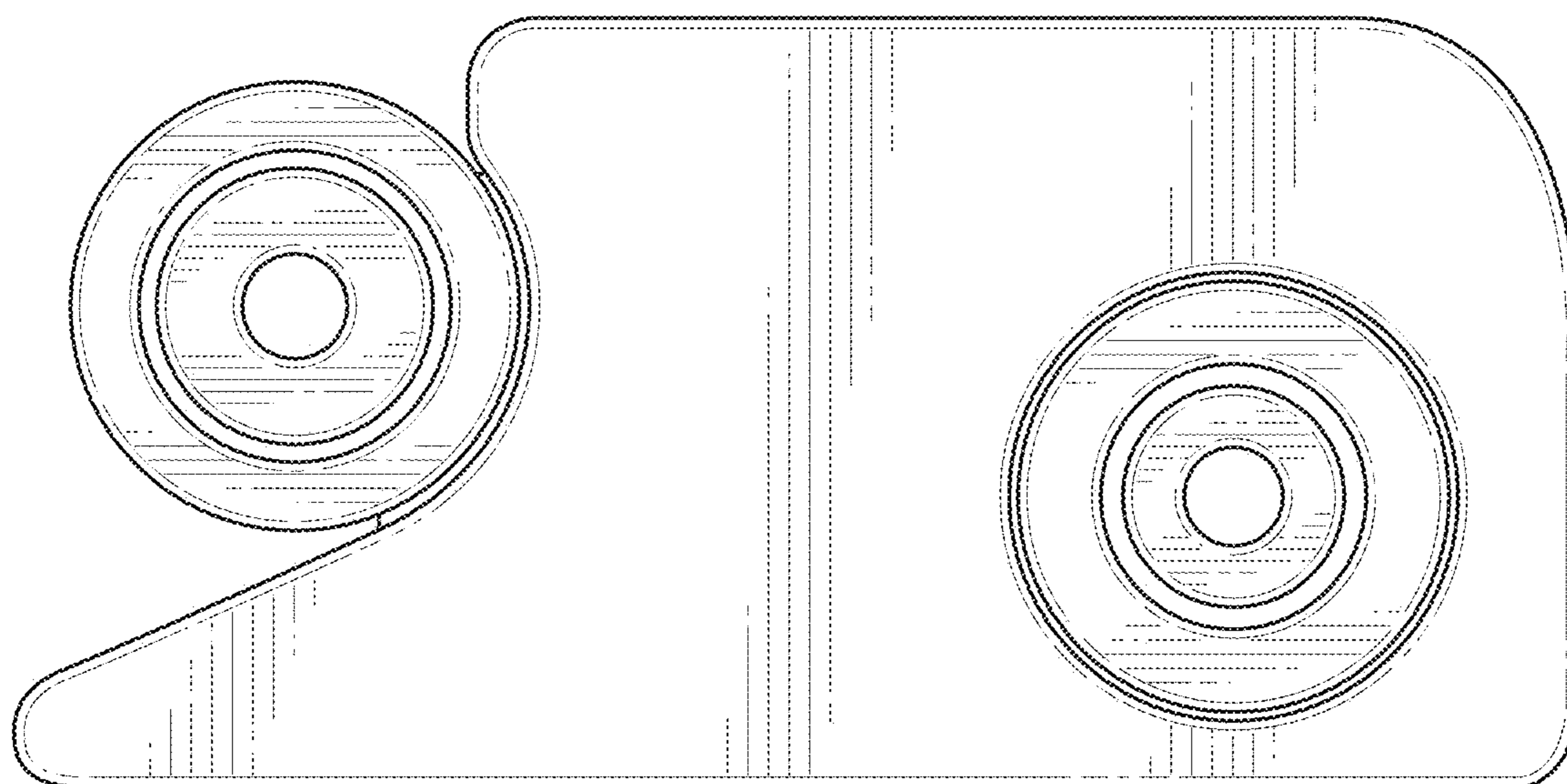
\* cited by examiner



**FIG. 1**



**FIG. 2**



**FIG. 3**

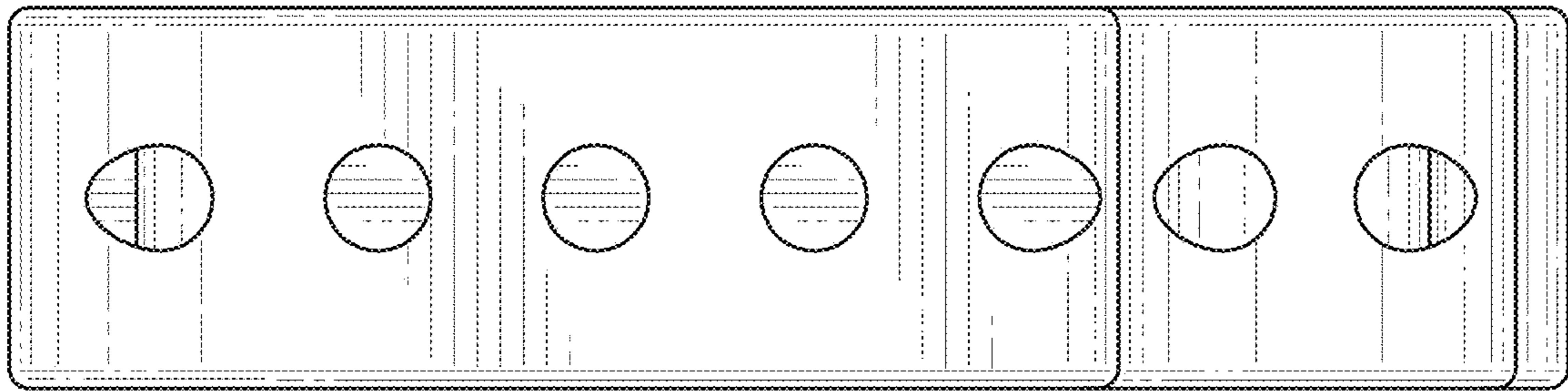


FIG. 4

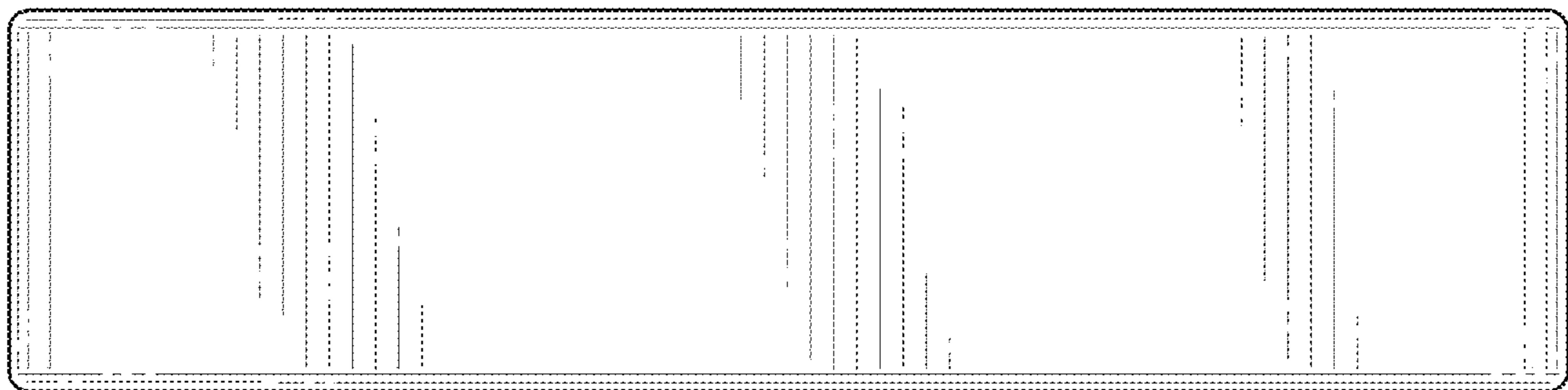


FIG. 5

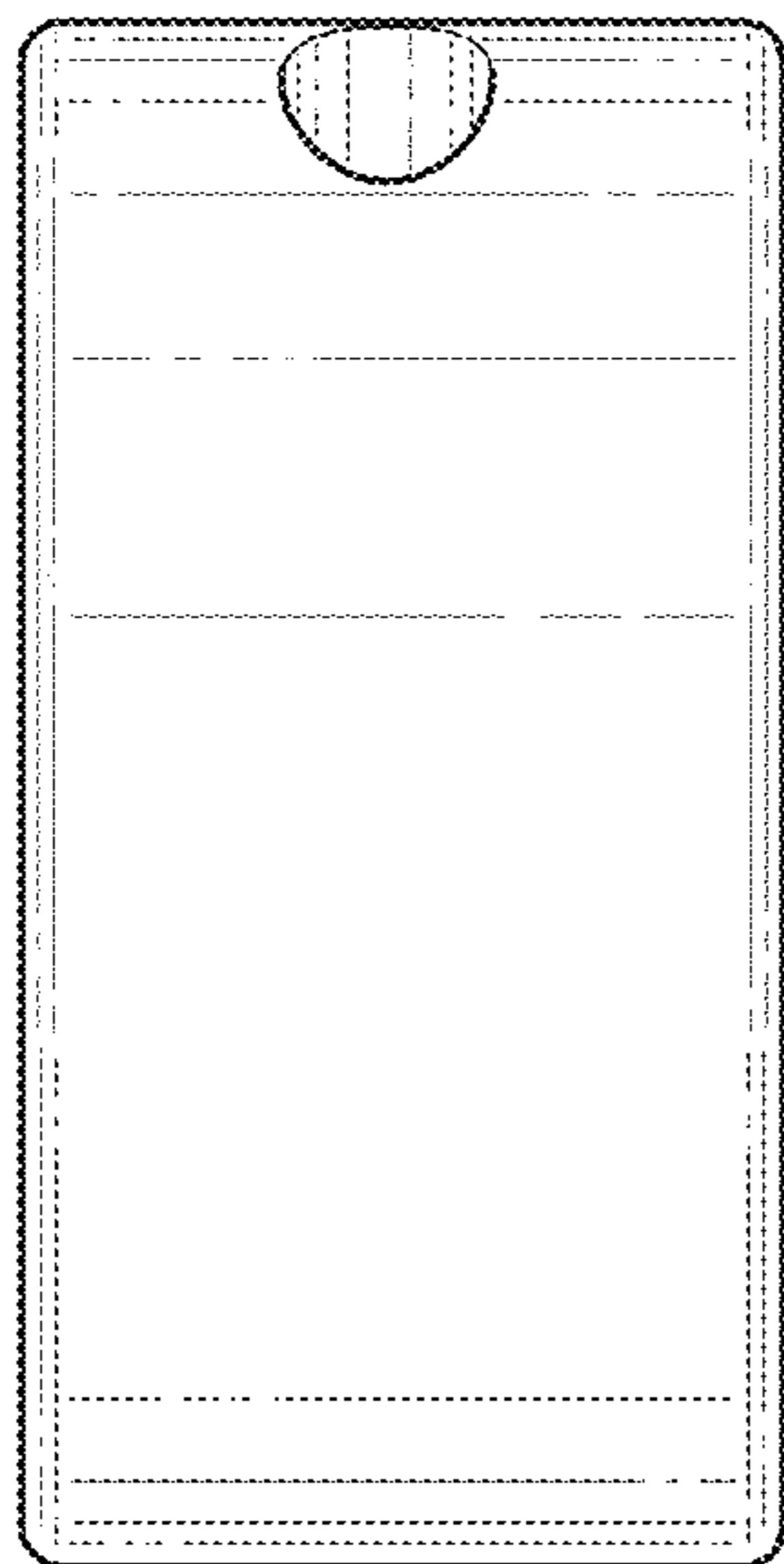


FIG. 6

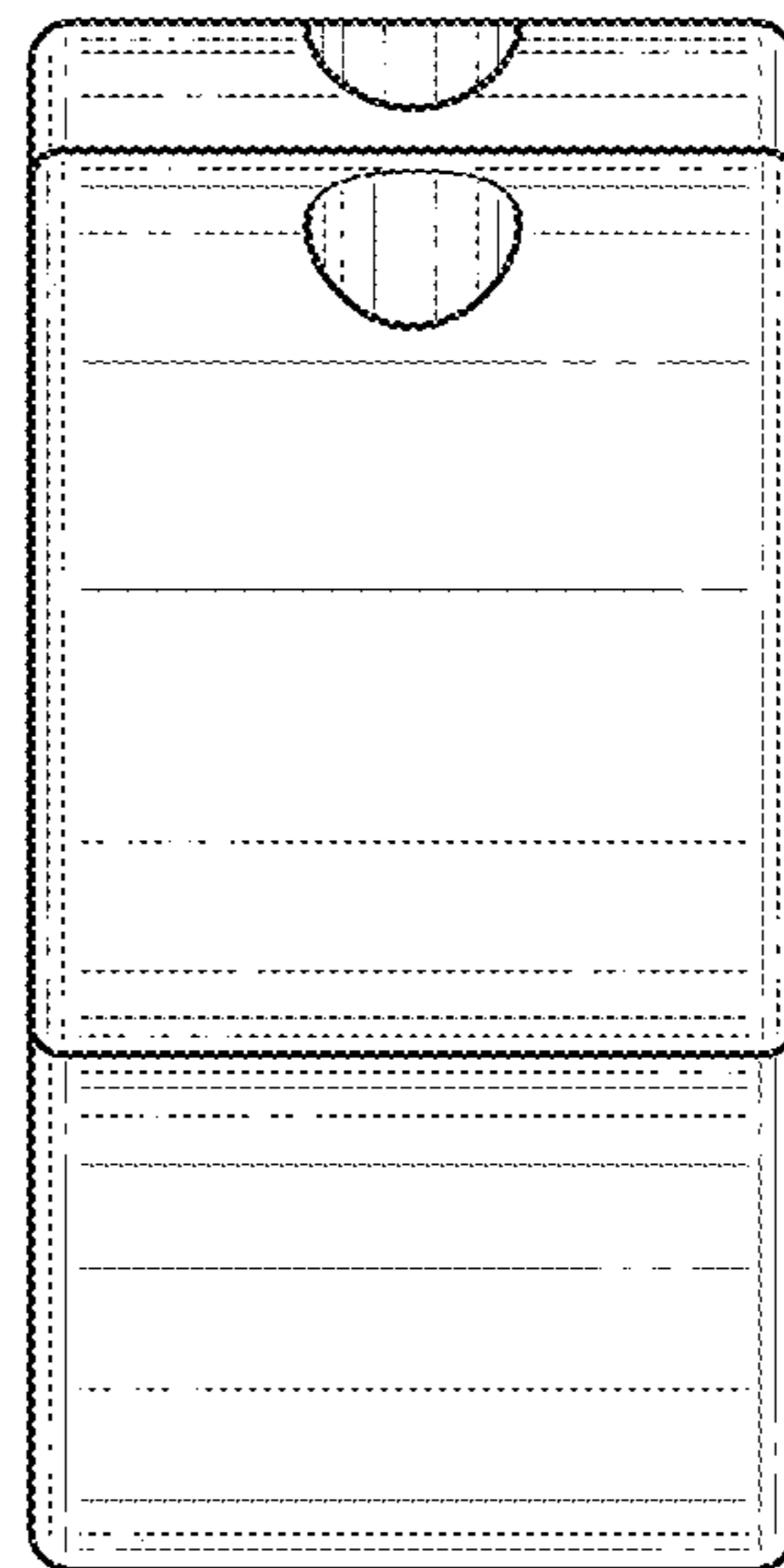


FIG. 7