



US00D915507S

(12) **United States Design Patent**
Cran et al.

(10) **Patent No.:** **US D915,507 S**
(45) **Date of Patent:** **** Apr. 6, 2021**

(54) **PAPER CUTTER**

(71) Applicant: **MAKE GREAT SALES LIMITED,**
Wanchai (HK)

(72) Inventors: **Bruce Peter Cran,** Ho Chi Minh (VN);
Kin Choi Lee, Wanchai (HK)

(73) Assignee: **Make Great Sales Limited,** Hong
Kong (HK)

(**) Term: **15 Years**

(21) Appl. No.: **29/713,351**

(22) Filed: **Nov. 15, 2019**

(51) **LOC (13) Cl.** **18-04**

(52) **U.S. Cl.**
USPC **D18/34.9**

(58) **Field of Classification Search**
USPC D18/34.1, 34.2, 34.3, 34.4, 34.5, 34.6,
D18/34.7, 34.8, 34.9; D8/51, 98;
D15/127

CPC B26D 2007/005; B26D 2007/0087; B26D
2001/0053; B26D 1/025; B26D 1/035;
B26D 1/045; B26D 1/065; B26D 1/08;
B26D 1/085; B26D 1/10; B26D 1/105;
B26D 1/125; B26D 1/147; B26D 1/1475;
B26D 1/15; B26D 1/151; B26D 1/153;
B26D 1/1535; B26D 1/185; B26D 1/305;
B26D 1/34; B26D 1/345; B26D 1/36;
B26D 1/365; B26D 1/38; B26D 1/385;
B26D 1/56; B26D 1/565; B26D 1/58;
B26D 1/585; B26D 5/083; B26D 7/015;
B26D 7/025; B26D 7/22; B26D 1/0006;
B26D 5/16; B26D 7/2614; B23D 35/008;
Y10T 83/7763; Y10T 83/8822; Y10T
83/885; Y10T 83/8851; Y10T 83/7507;
Y10T 83/8874; Y10T 83/8814; Y10T
83/9493;

(Continued)

(56) **References Cited**

U.S. PATENT DOCUMENTS

2,649,656 A * 8/1953 Hedrick B43M 7/002
30/287
D185,052 S * 4/1959 Warp D6/518
(Continued)

FOREIGN PATENT DOCUMENTS

CN 303454708 * 11/2015
KR 300760645.0000 * 9/2014
WO WO-2007023642 A1 * 3/2007 B26F 3/02

OTHER PUBLICATIONS

Amazon. Link: https://www.amazon.com/dp/B07V738J4Y/ref=cm_sw_em_r_mt_dp_2TFN5ARBXXQ3735JD6Y2. Jul. 13, 2019. The Original Little ELF Gift Wrap Cutter. (Year: 2019).*

(Continued)

Primary Examiner — Lauren D McVey

(74) *Attorney, Agent, or Firm* — Onello & Mello, LLP

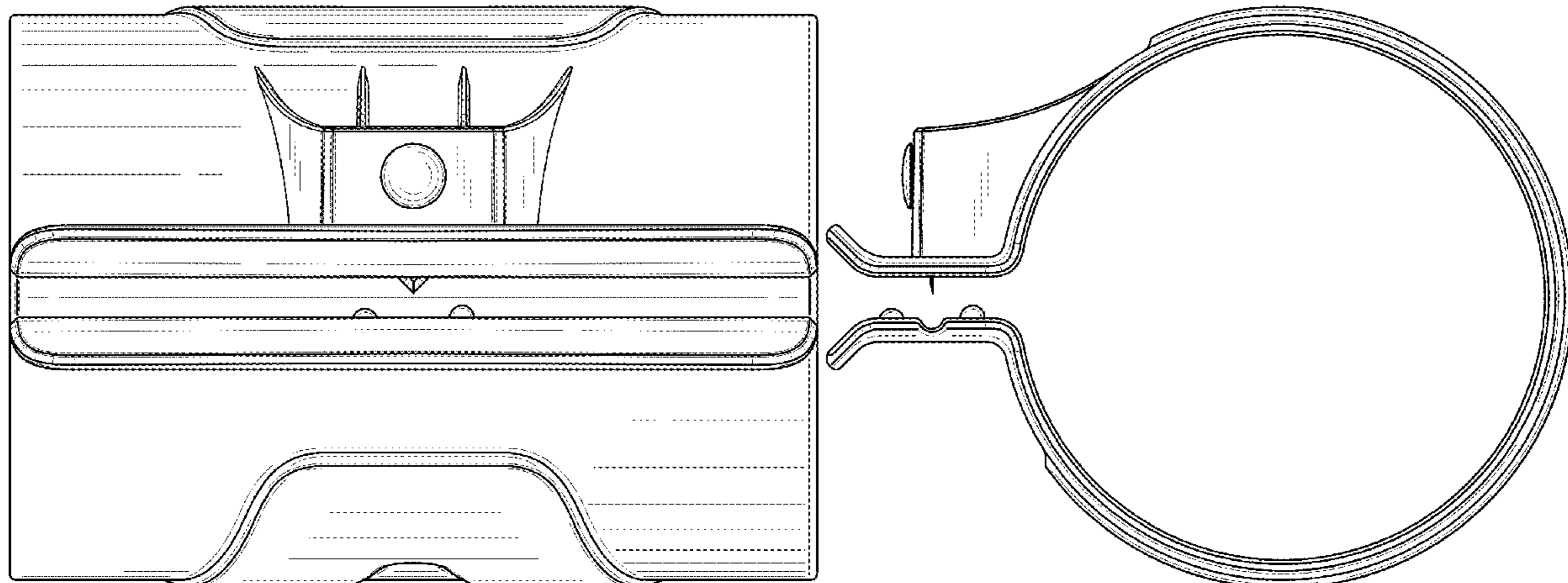
(57) **CLAIM**

The ornamental design for a paper cutter, as shown and described.

DESCRIPTION

FIG. 1 is a top perspective view of a paper cutter, in accordance with our design;
FIG. 2 is a bottom perspective view of the paper cutter of FIG. 1;
FIG. 3 is another top perspective view of the paper cutter of FIG. 1;
FIG. 4 is a front view of the paper cutter of FIG. 1;
FIG. 5 is a rear view of the paper cutter of FIG. 1;
FIG. 6 is a left-side view of the paper cutter of FIG. 1;
FIG. 7 is a right-side view of the paper cutter of FIG. 1;
FIG. 8 is a bottom view of the paper cutter of FIG. 1; and,
FIG. 9 is top view of the paper cutter of FIG. 1.

1 Claim, 7 Drawing Sheets



(58) **Field of Classification Search**

CPC Y10T 83/7533; Y10T 83/8821; Y10T
83/828; Y10T 83/872; Y10T 83/8841;
Y10S 83/955

See application file for complete search history.

D750,158 S * 2/2016 Baldwin D18/34.9
D750,159 S * 2/2016 Baldwin D18/34.9
D750,160 S * 2/2016 Baldwin D18/34.9
D890,591 S * 7/2020 Lei D8/98
2018/0345516 A1* 12/2018 Perla B65H 35/002

(56)

References Cited

U.S. PATENT DOCUMENTS

D392,323 S * 3/1998 Appelbaum D19/65
D626,862 S * 11/2010 Augustenborg D9/735
8,714,428 B2 * 5/2014 Mallard B65D 83/0841
225/58
D707,289 S * 6/2014 Thoma D18/34.8
8,869,406 B2 * 10/2014 Votolato B26B 27/00
30/294
8,869,408 B2 * 10/2014 Votolato B67B 7/30
30/294

OTHER PUBLICATIONS

STLfinder. Link: <https://www.stlfinder.com/model/wrapping-paper-cutter-3-ol0kr8PI/2163060/>. Visited Feb. 17, 2021. 3d printing file for Wrapping Paper Cutter 3 by thingiverse. (Year: 2021).*
GOimprints. Link: <https://www.goimprints.com/product/jiffi-letter-slitter-mail-opener-550734074>. Visited Feb. 17, 2021. (Year: 2021).*
Alibaba. Link: https://www.alibaba.com/product-detail/electric-letter-opener-OP-90-mail_1815839934.html. Visited Feb. 17, 2021. (Year: 2021).*

* cited by examiner

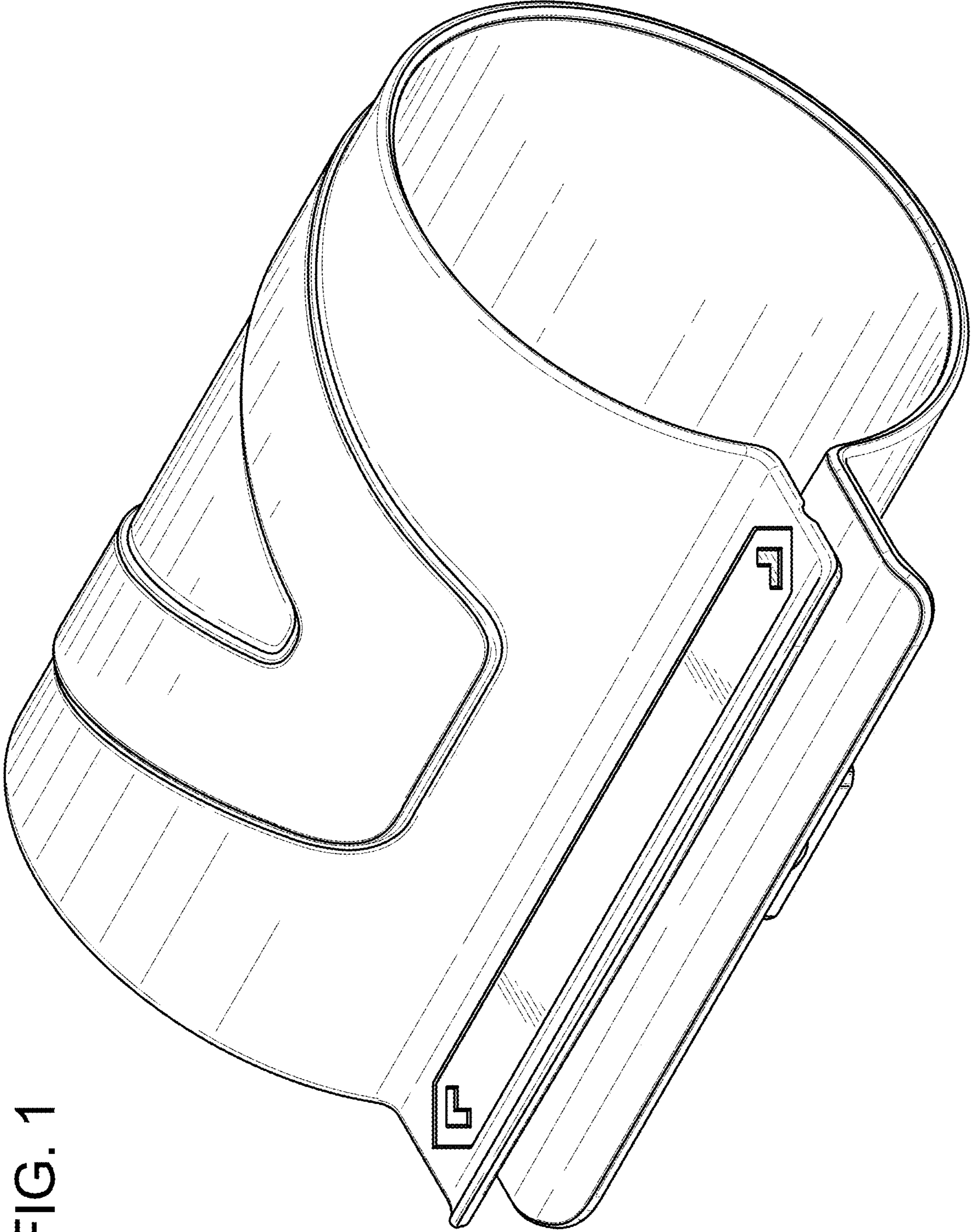


FIG. 1

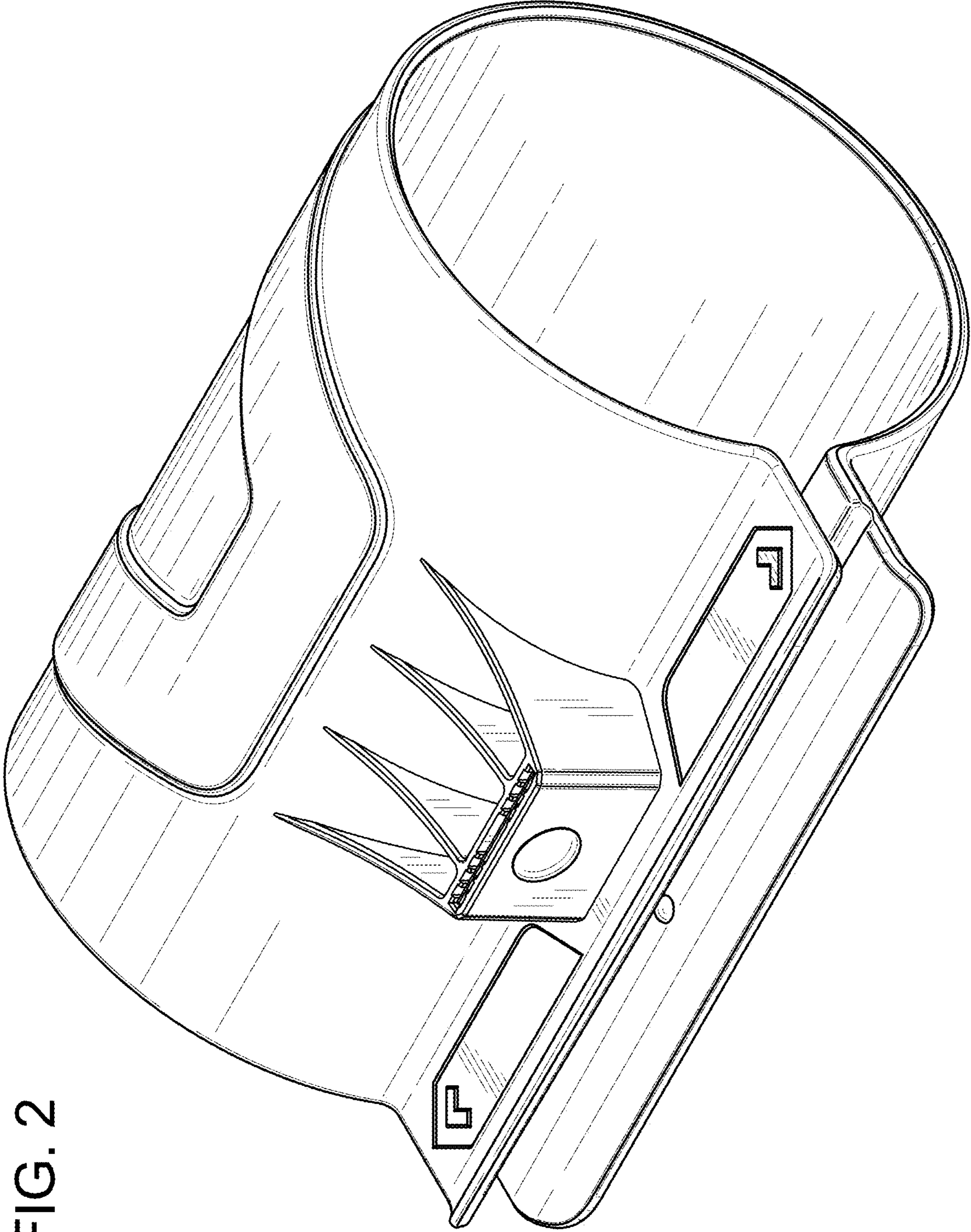


FIG. 2

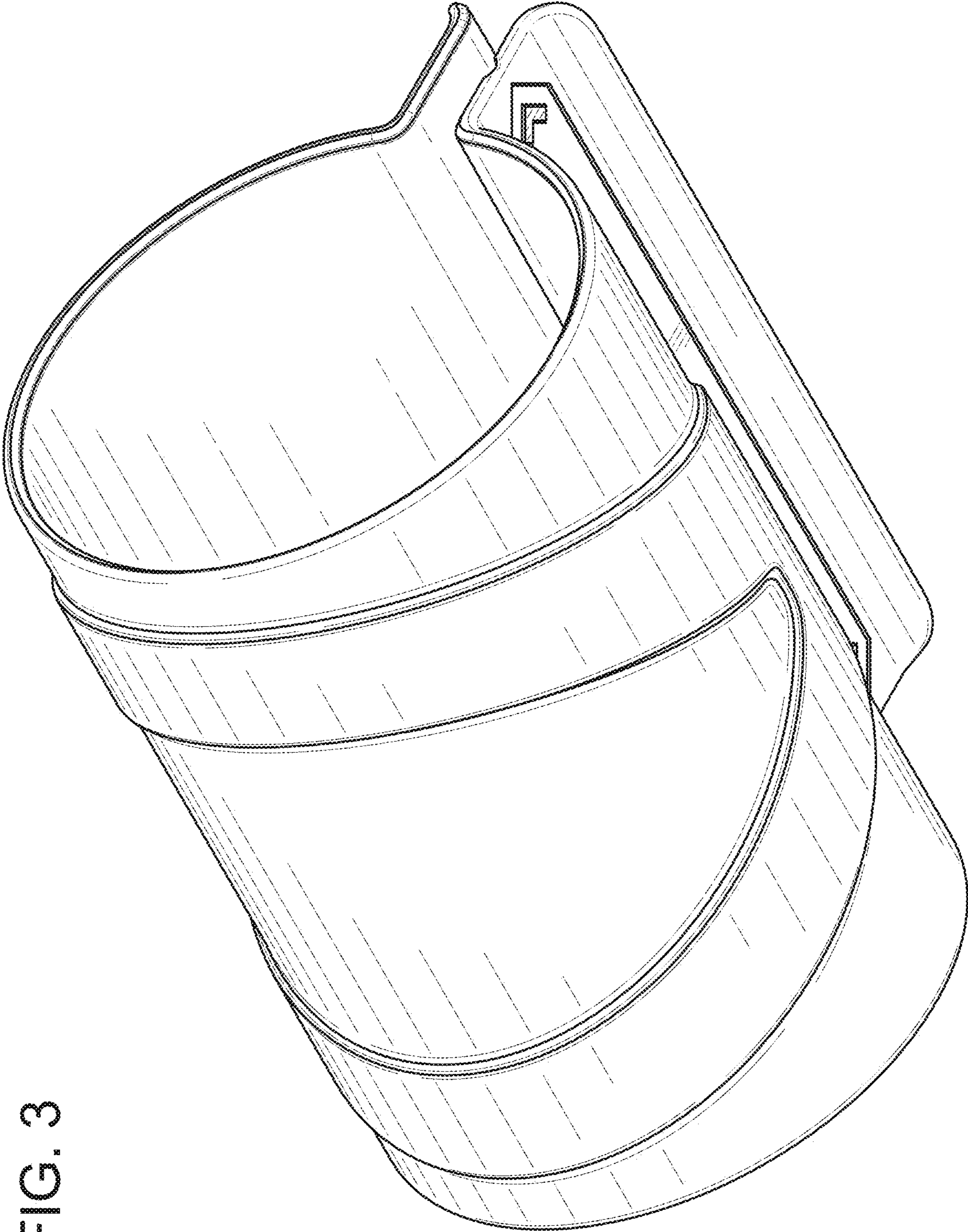


FIG. 3

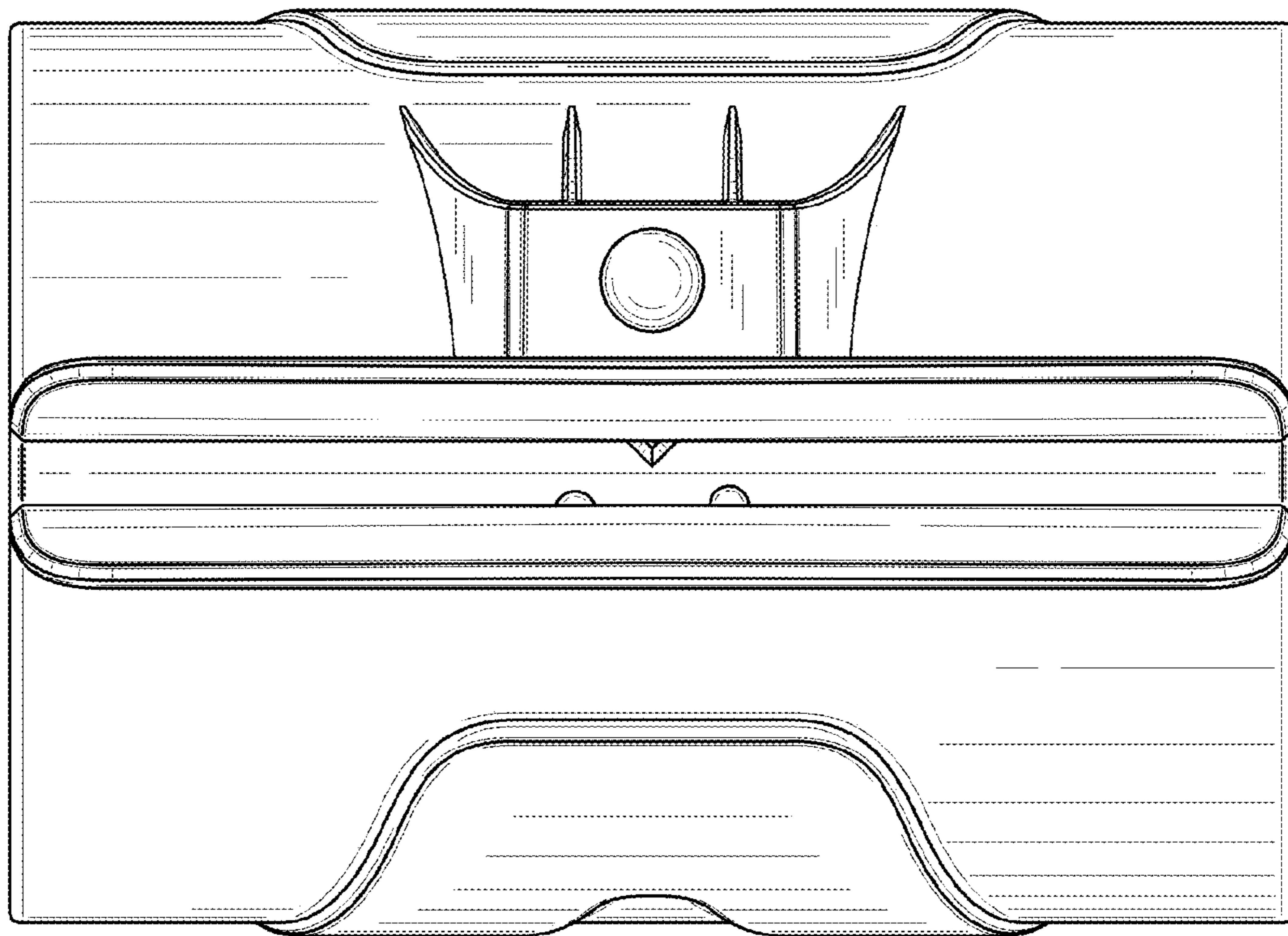


FIG. 4

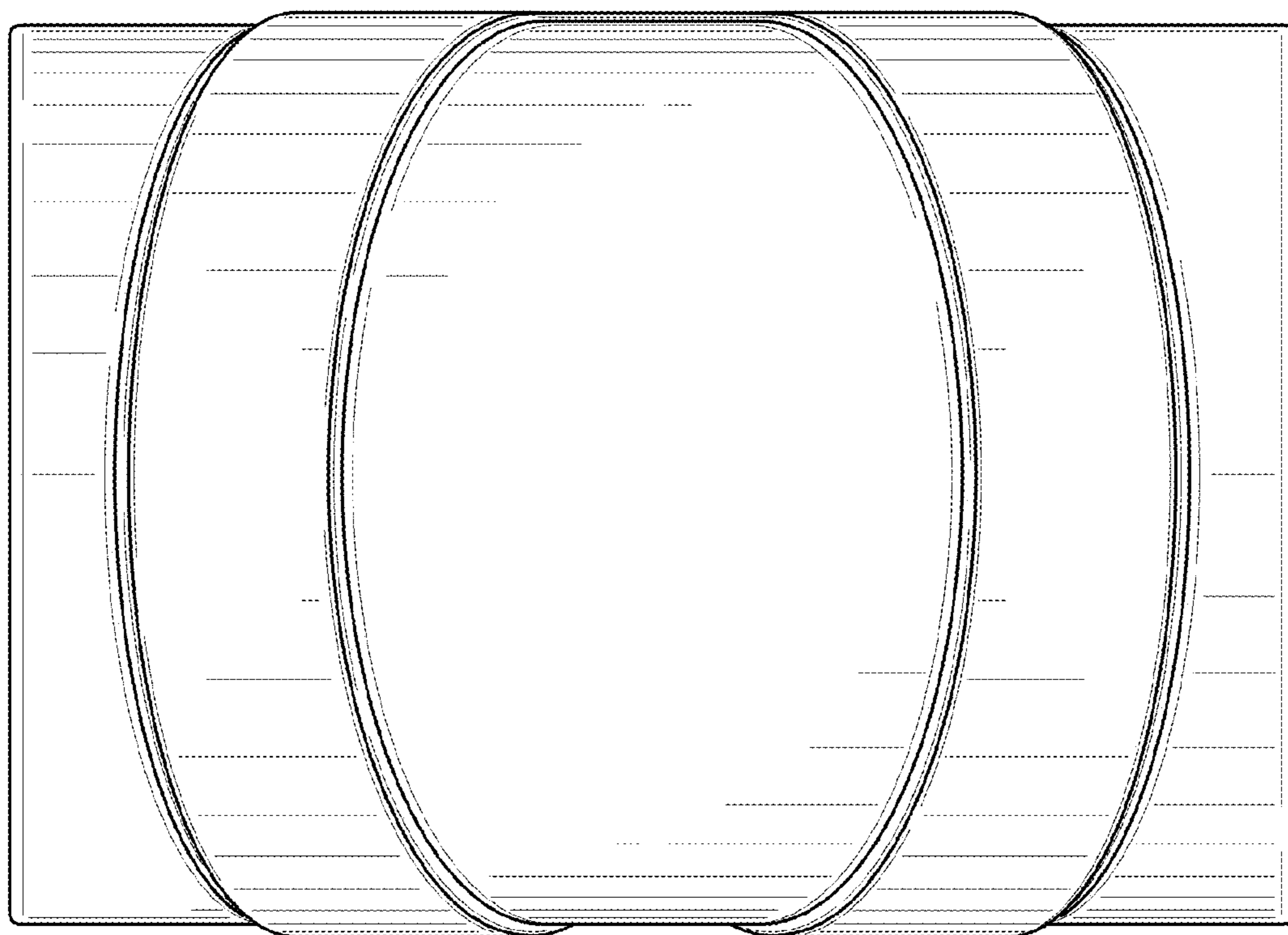


FIG. 5

FIG. 6

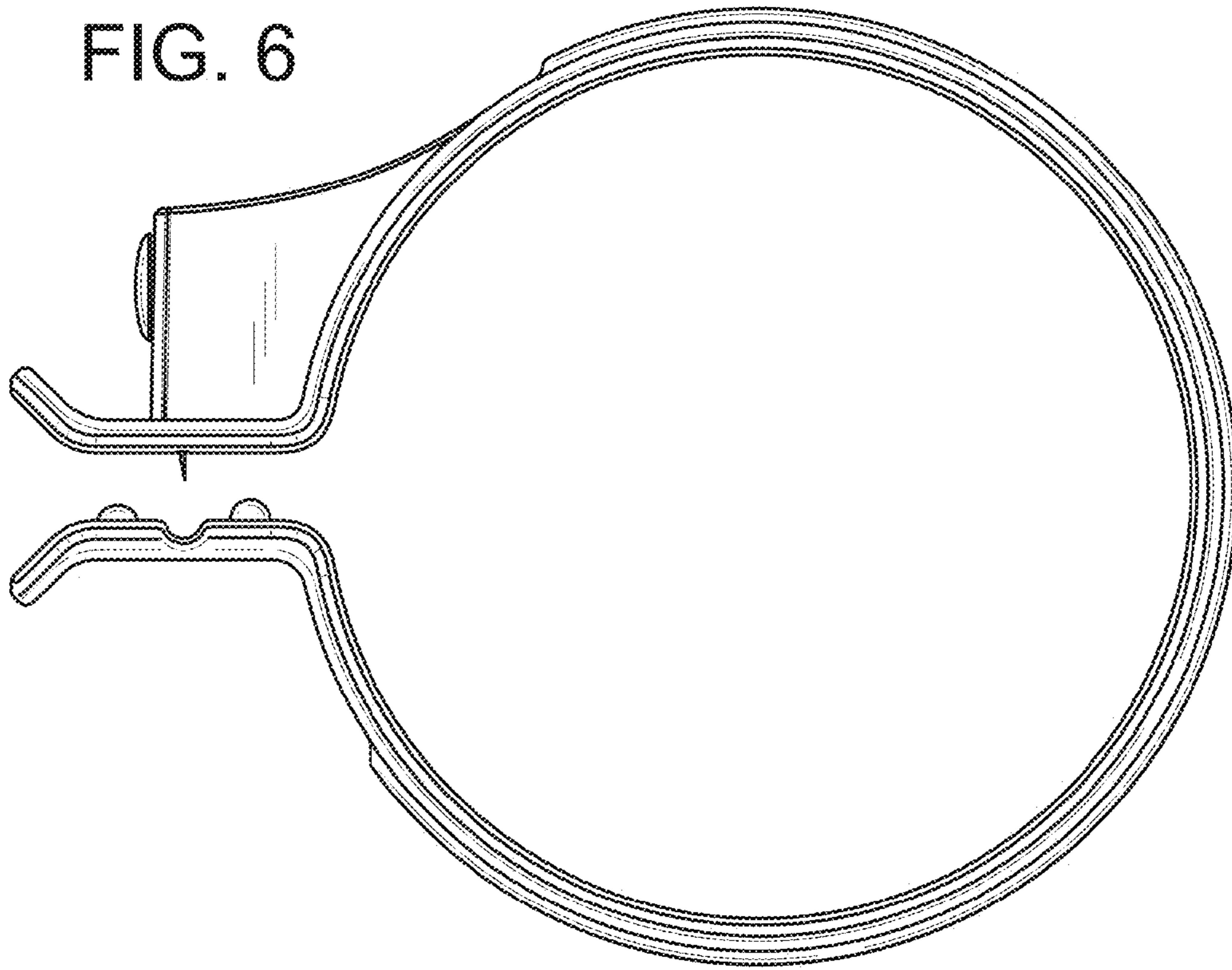
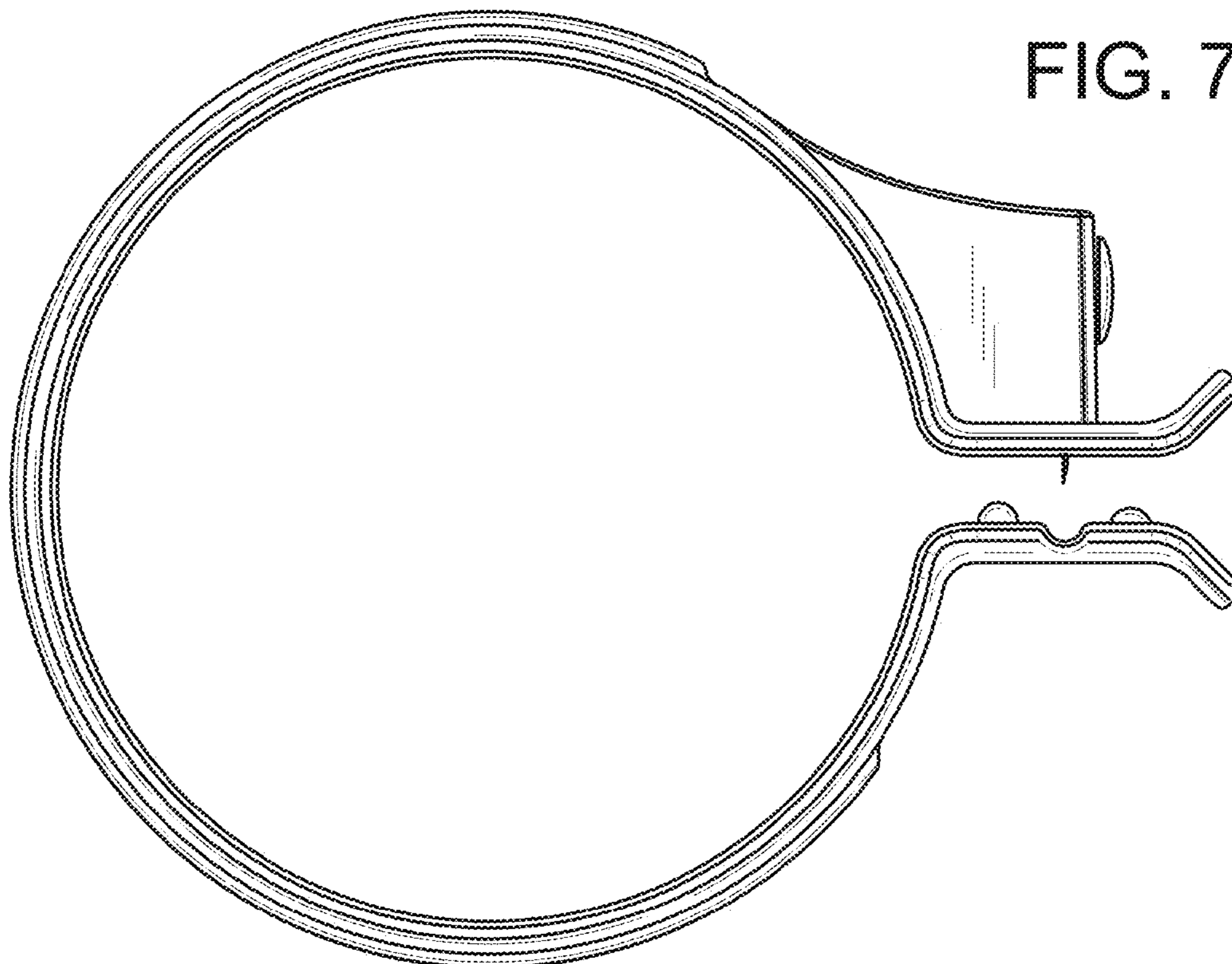


FIG. 7



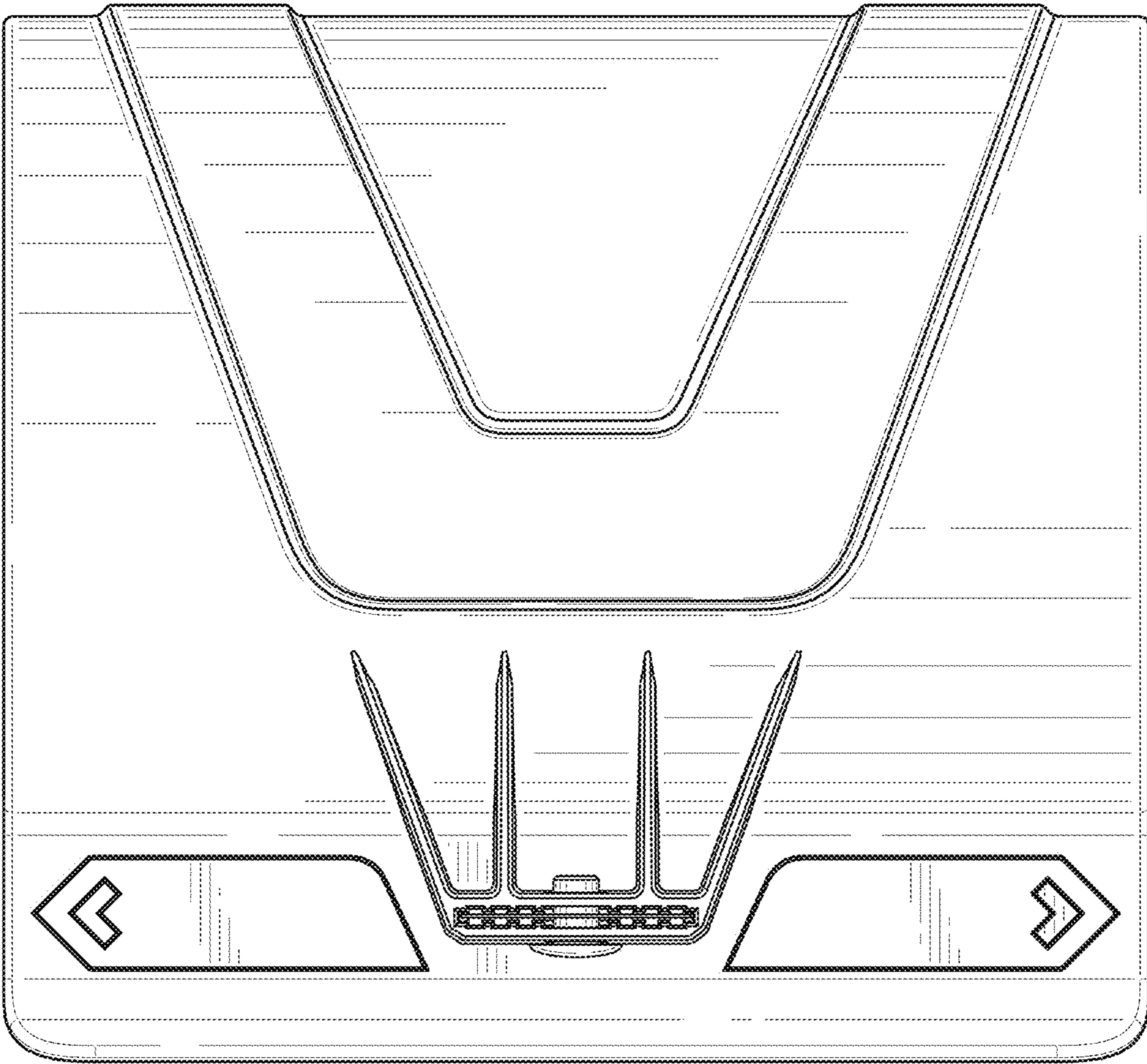


FIG. 8

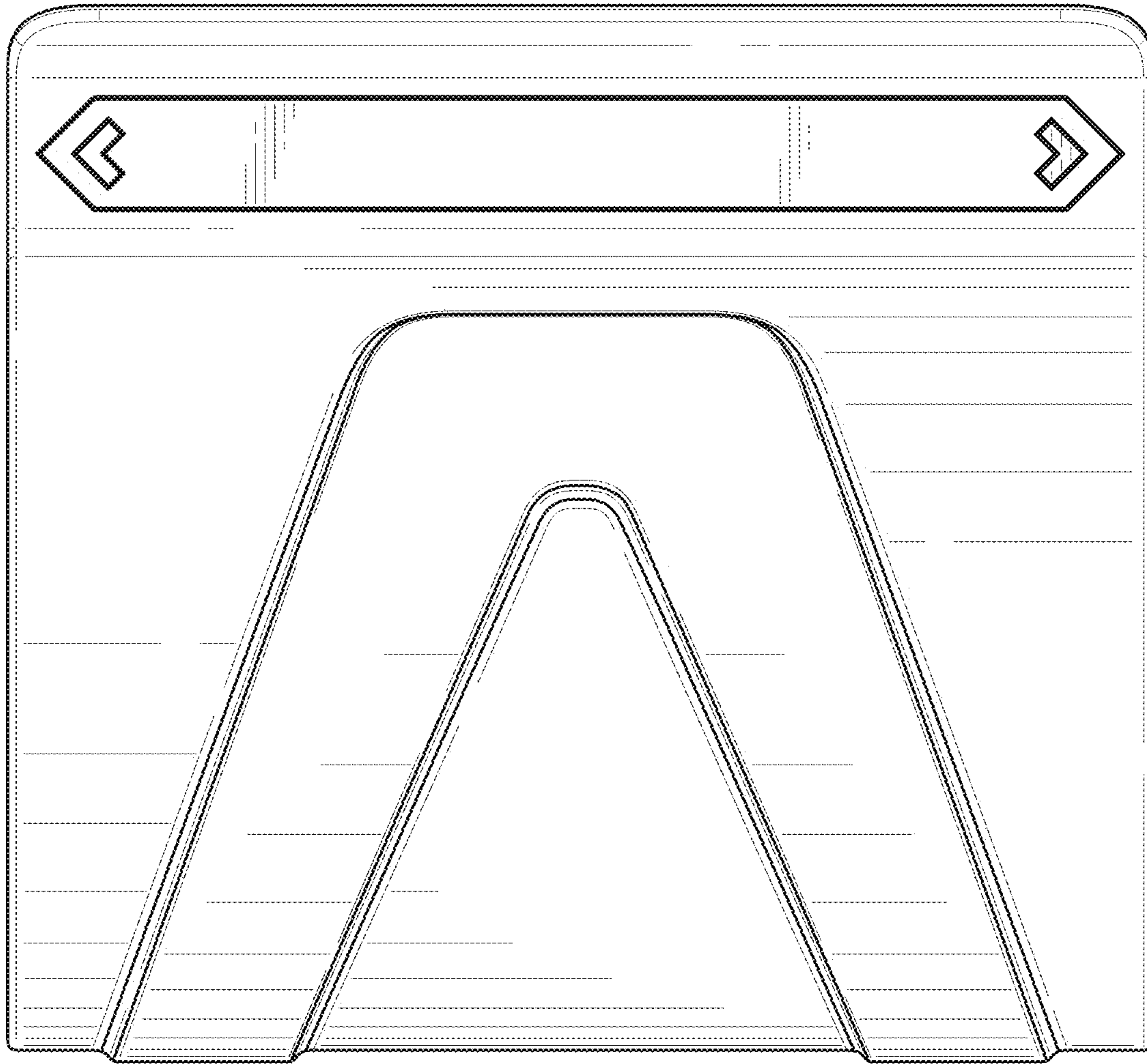


FIG. 9