



US00D915506S

(12) **United States Design Patent** (10) **Patent No.:** **US D915,506 S**
Xiong (45) **Date of Patent:** **** Apr. 6, 2021**

(54) **PRINTER**
(71) Applicant: **SELPIC INC.**, Lewes, DE (US)
(72) Inventor: **Bo Xiong**, Lewes, DE (US)
(**) Term: **15 Years**
(21) Appl. No.: **29/718,647**
(22) Filed: **Dec. 27, 2019**
(51) **LOC (13) Cl.** **18-99**
(52) **U.S. Cl.**
USPC **D18/19**
(58) **Field of Classification Search**
USPC D18/14, 15, 16, 17, 18, 19, 36, 37, 38,
D18/39, 40, 41, 45, 50, 53, 54, 55, 56;
D19/65, 66, 67, 68, 69, 70, 71; D14/301,
D14/307, 121
CPC H04N 1/00204; H04N 1/00249; H04N
1/00278; G06K 15/12; G06K 15/14; B41J
3/00; B41J 3/28; B41J 3/445; B41J 3/46;
B41J 11/0045; B41J 2/3358; B41J 3/36;
B41J 3/382
See application file for complete search history.

(56) **References Cited**
U.S. PATENT DOCUMENTS
D236,754 S * 9/1975 Funahashi D18/15
D280,643 S * 9/1985 Ichikawa D18/15
D318,291 S * 7/1991 Ohnumata D14/426
(Continued)

FOREIGN PATENT DOCUMENTS
GB 2268908 A * 1/1994 B41K 1/42
JP 09193502 A * 7/1997 B41J 3/36
WO WO-2019183656 A1 * 10/2019 B41K 1/02

OTHER PUBLICATIONS
Amazon. Link: https://www.amazon.com/dp/B087CKP4NM/ref=cm_sw_em_r_mt_dp_U_k9heFb70FYK4Y. Apr. 21, 2020. Label

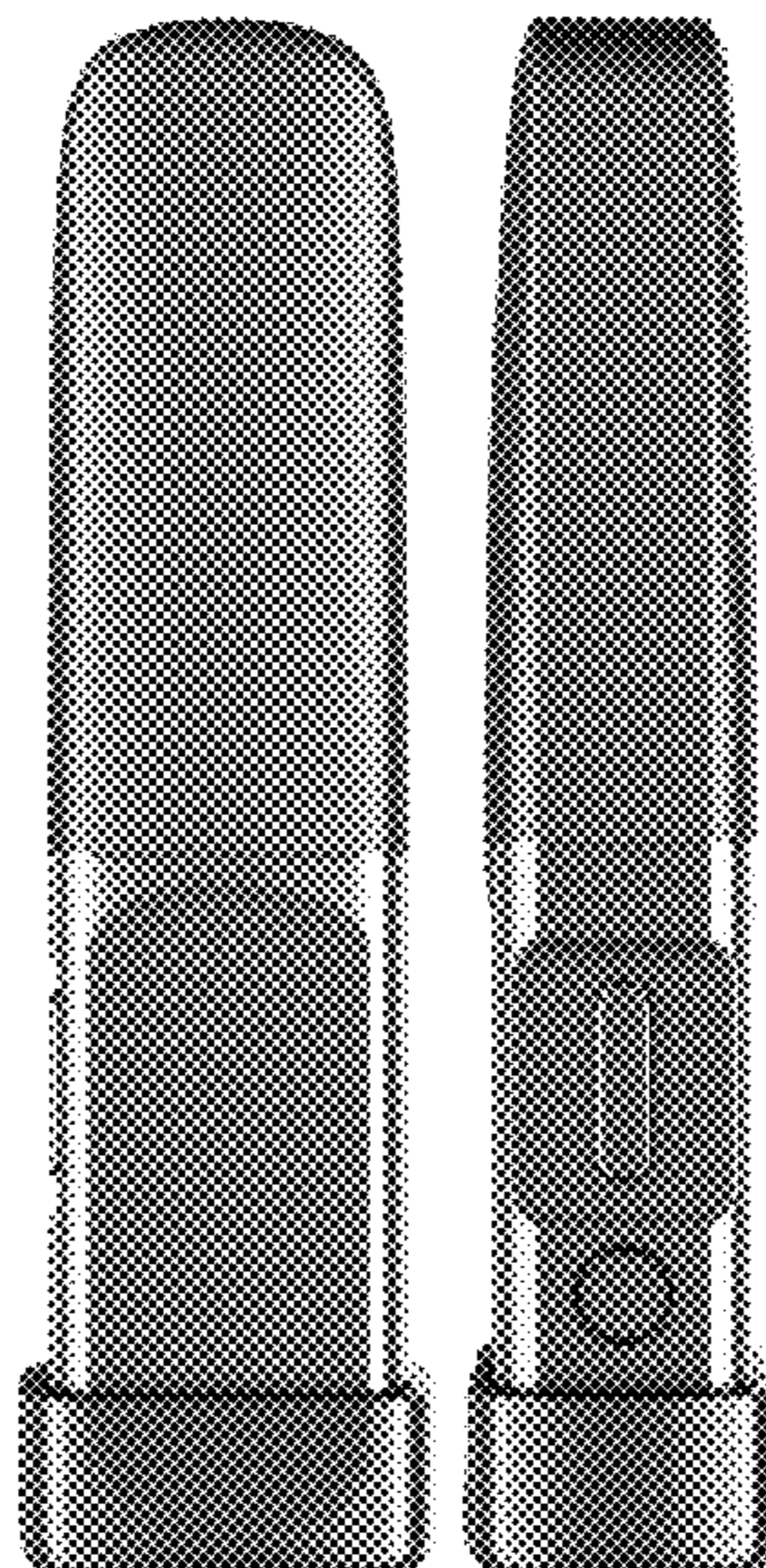
Printer , D11 Portable Smart Label Maker with Bluetooth Thermal Label Printer by NiiMbot. (Year: 2020).*
(Continued)

Primary Examiner — Lauren D McVey
(74) *Attorney, Agent, or Firm* — W&K IP

(57) **CLAIM**
The ornamental design for a printer, as shown and described.

DESCRIPTION
The patent or application file contains at least one drawing executed in color. Copies of this patent or patent application publication with color drawing(s) will be provided by the office upon request and payment of the necessary fee.
FIG. 1 is a perspective view of a printer showing my new design in a closed state;
FIG. 2 is second perspective view thereof;
FIG. 3 is a front elevational view thereof;
FIG. 4 is a rear elevational view thereof;
FIG. 5 is a left elevational view thereof;
FIG. 6 is a right elevational view thereof;
FIG. 7 is a top plan view thereof; and
FIG. 8 is a bottom plan view thereof;
FIG. 9 is a perspective view of a printer showing my new design in an open state;
FIG. 10 is second perspective view thereof;
FIG. 11 is third perspective view thereof;
FIG. 12 is a front elevational view thereof;
FIG. 13 is a rear elevational view thereof;
FIG. 14 is a left elevational view thereof;
FIG. 15 is a right elevational view thereof; and,
FIG. 16 is a top plan view of the bottom part thereof.
The broken lines depict portions of the printer that form no part of the claimed design. In addition, the unshaded surface that directly adjoins the claimed edge in FIG. 17 forms no part of the claimed design.

1 Claim, 16 Drawing Sheets
(16 of 16 Drawing Sheet(s) Filed in Color)



(56)

References Cited

U.S. PATENT DOCUMENTS

D324,699 S * 3/1992 Ohashi D19/188
D419,547 S * 1/2000 Nada D14/431
D426,569 S * 6/2000 Franks D18/15
D433,416 S * 11/2000 Strand D14/426
D450,749 S * 11/2001 Faber D18/15
D451,946 S * 12/2001 Faber D18/15
D506,775 S * 6/2005 Kida D18/15
D517,392 S * 3/2006 Lin D8/107
D614,688 S * 4/2010 Wilflingseder D18/15
D730,445 S * 5/2015 Suzuki D19/69

OTHER PUBLICATIONS

Amazon. Link: https://www.amazon.com/dp/B083QVF9Y8/ref=cm_sw_em_r_mt_dp_U_8XY-EbDZKM6FA. Jan. 11, 2020. EVEBOT PrintPen by kiimkiim. (Year: 2020).*

Amazon. Link: https://www.amazon.com/dp/B08DKRZFLW/ref=cm_sw_em_r_mt_dp_L9e.FbJ4ZE914. Jul. 24, 2020. Selpic P1 Portable Mini Inkjet Printer Wireless. (Year: 2020).*

* cited by examiner

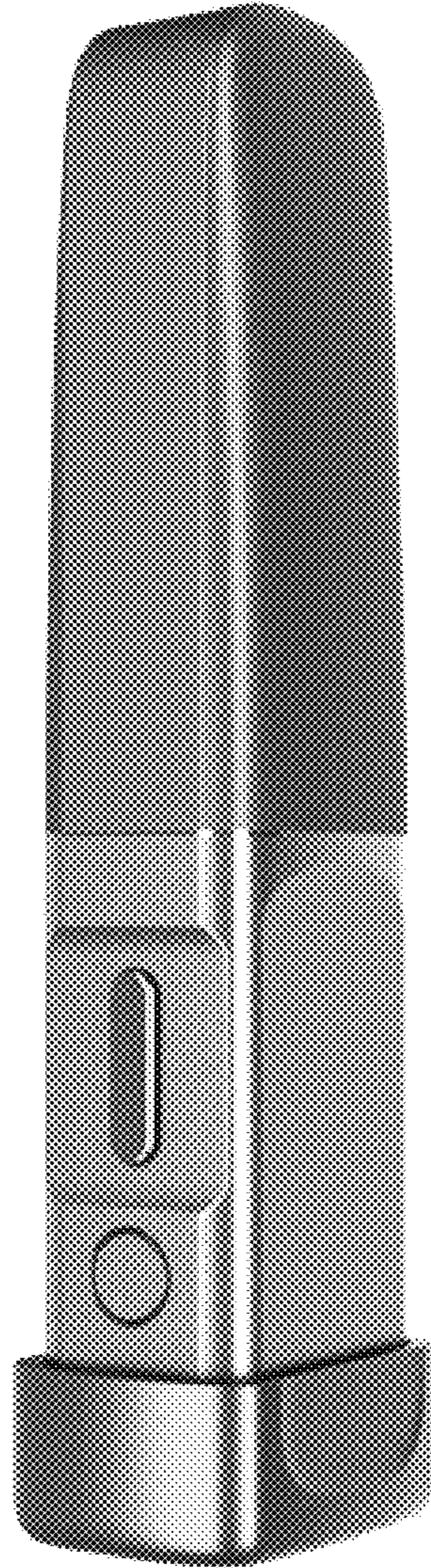


FIG. 1

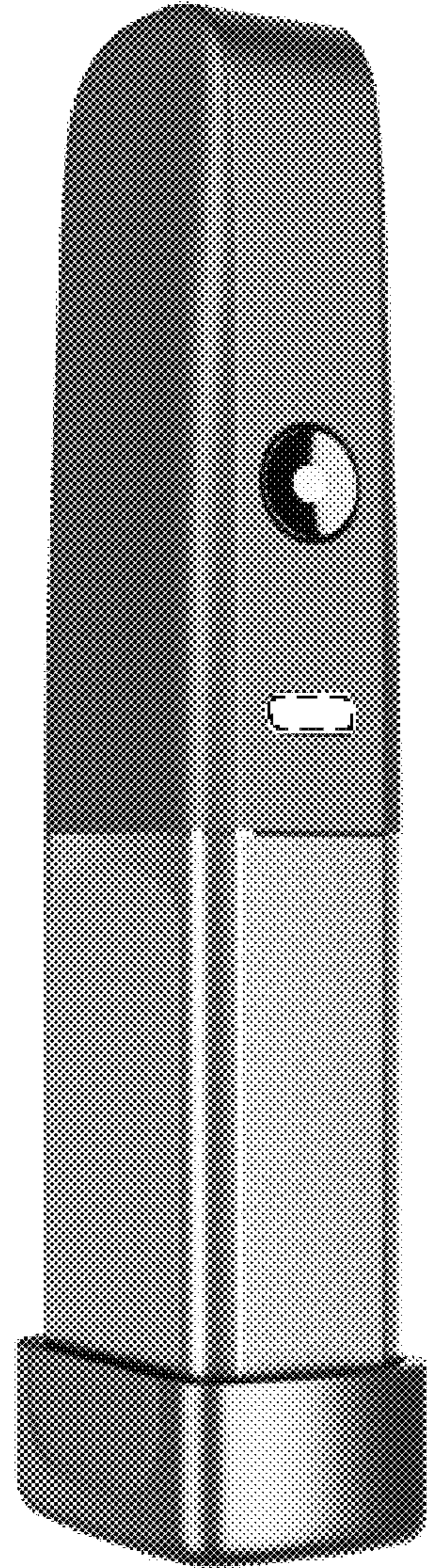


FIG.2

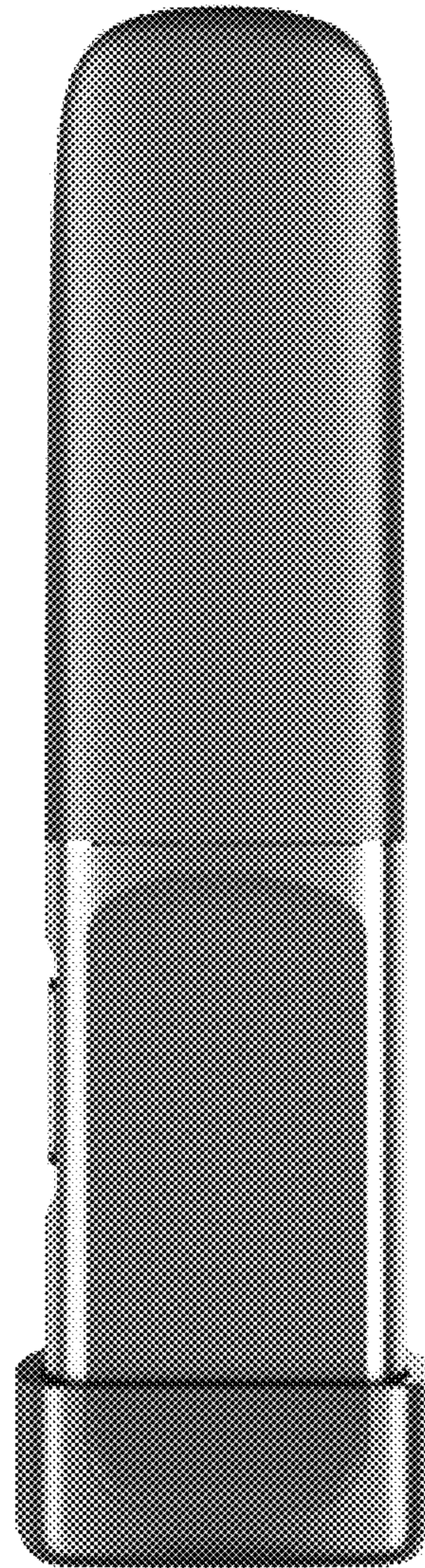


FIG.3

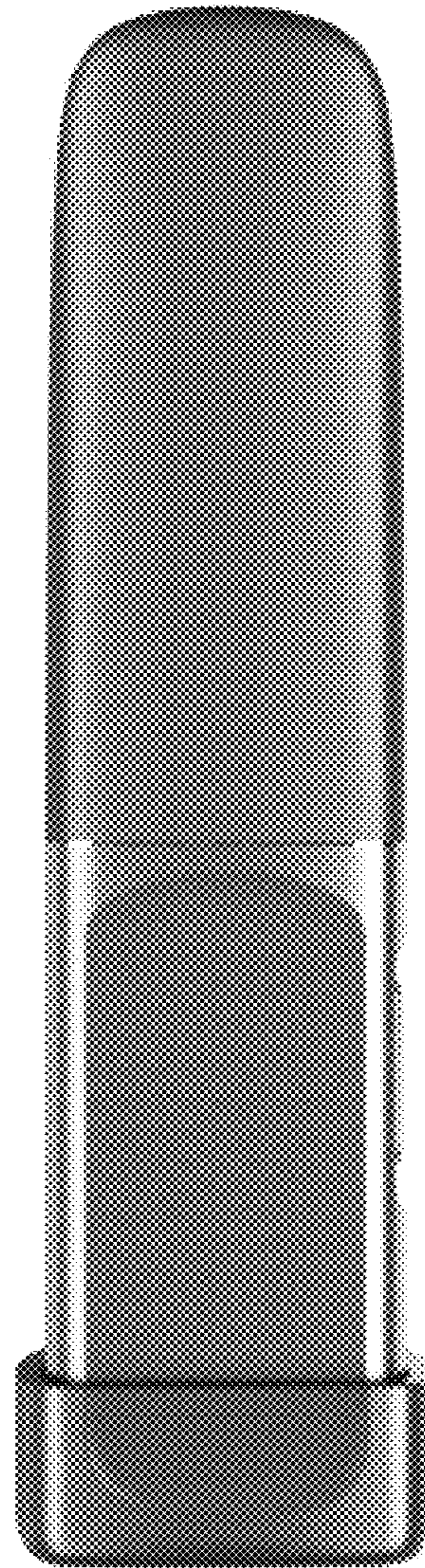


FIG.4

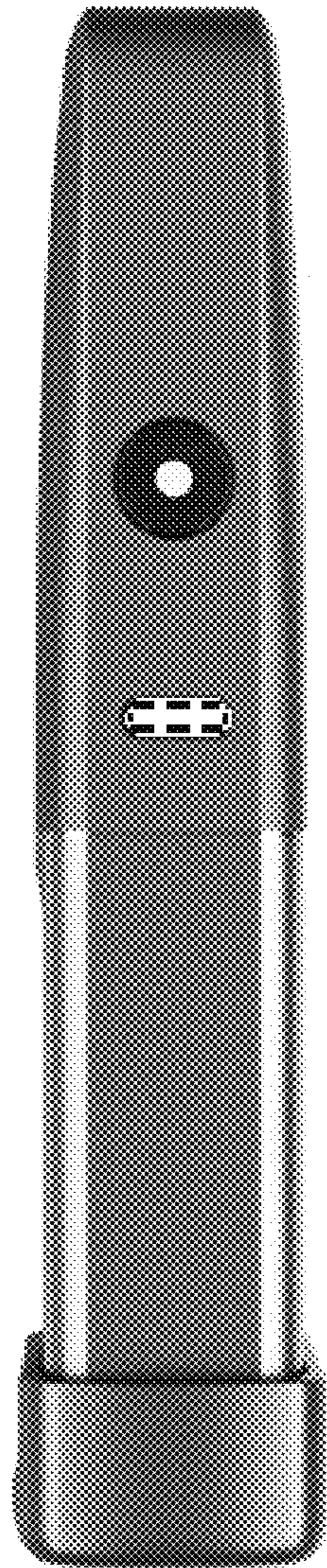


FIG.5

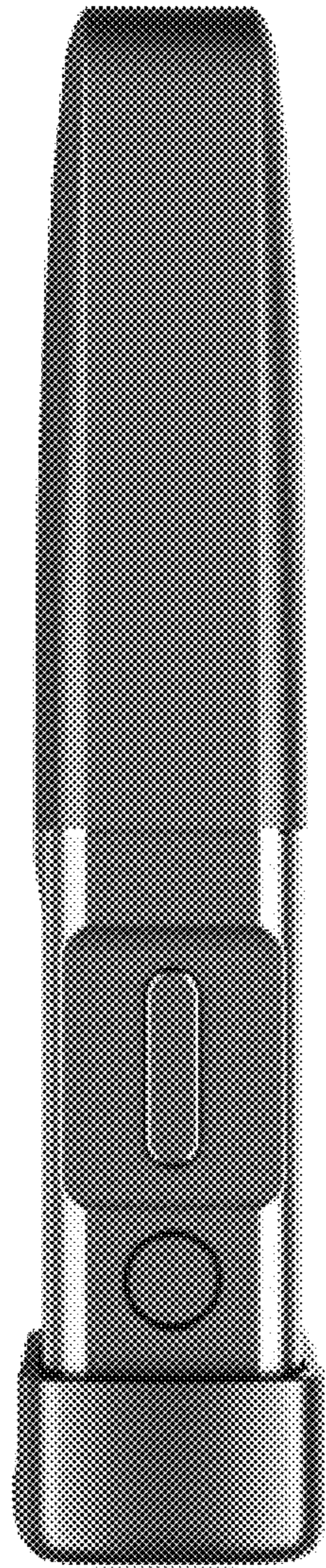


FIG.6

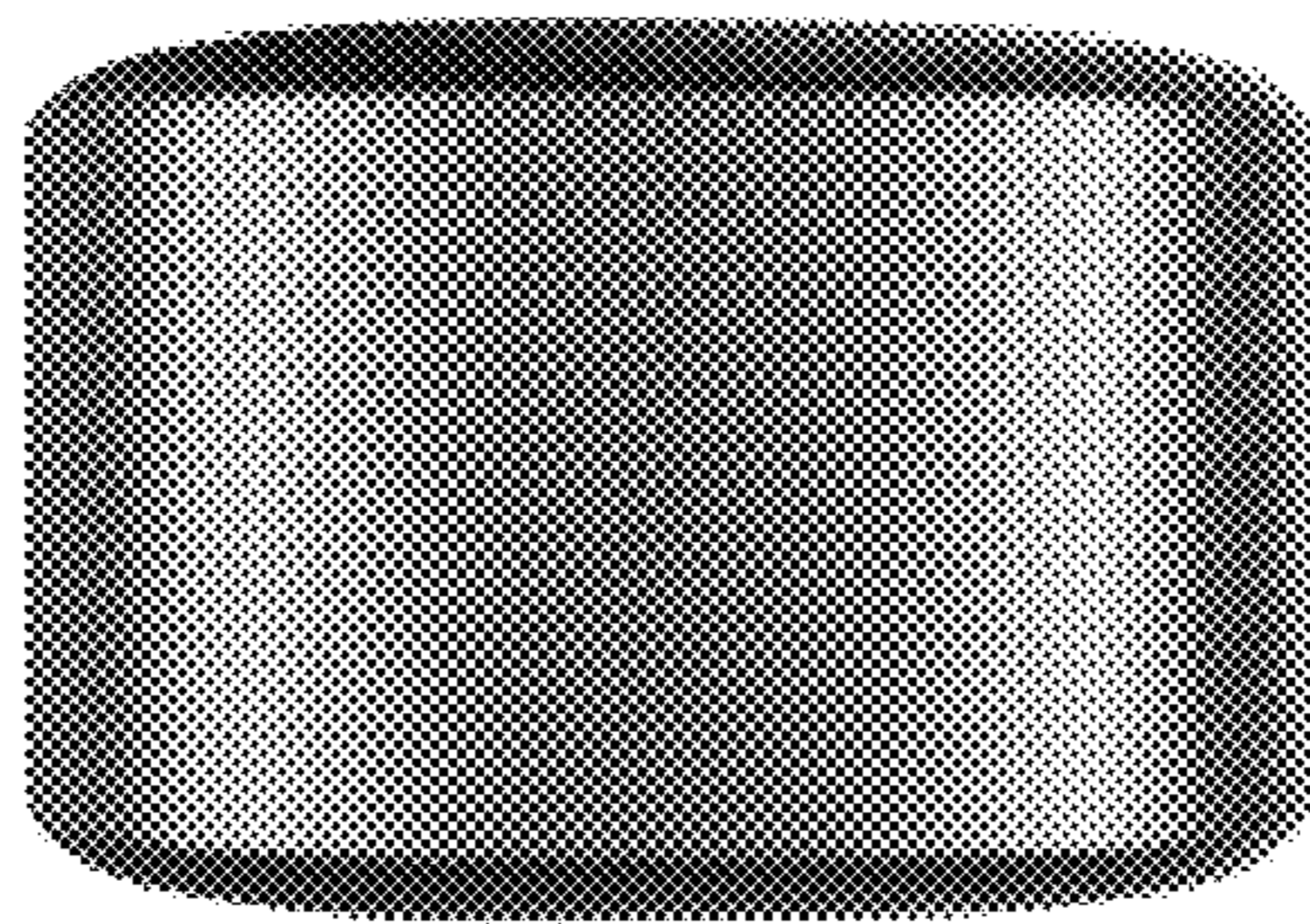


FIG.7



FIG.8

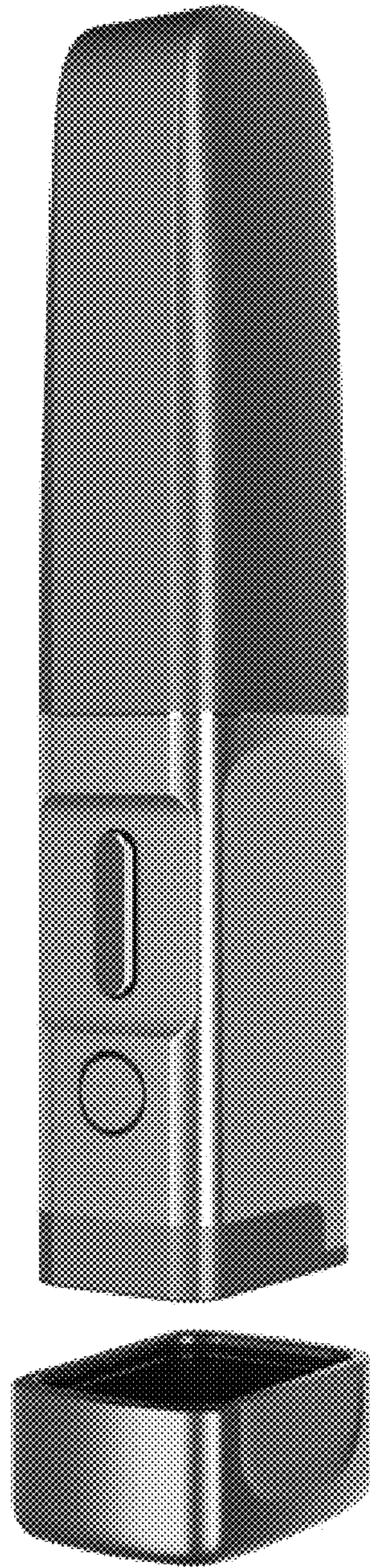


FIG.9

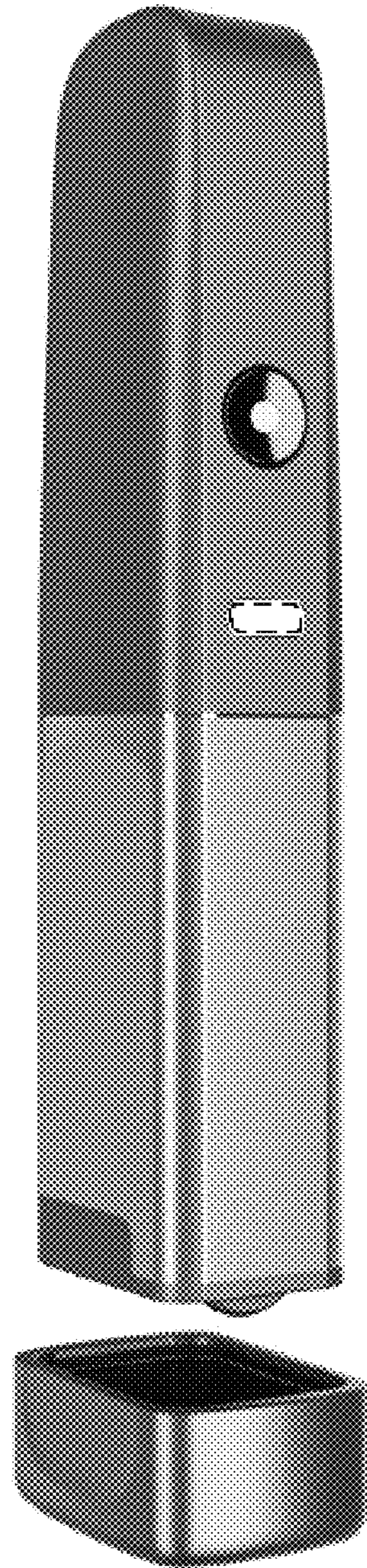


FIG.10

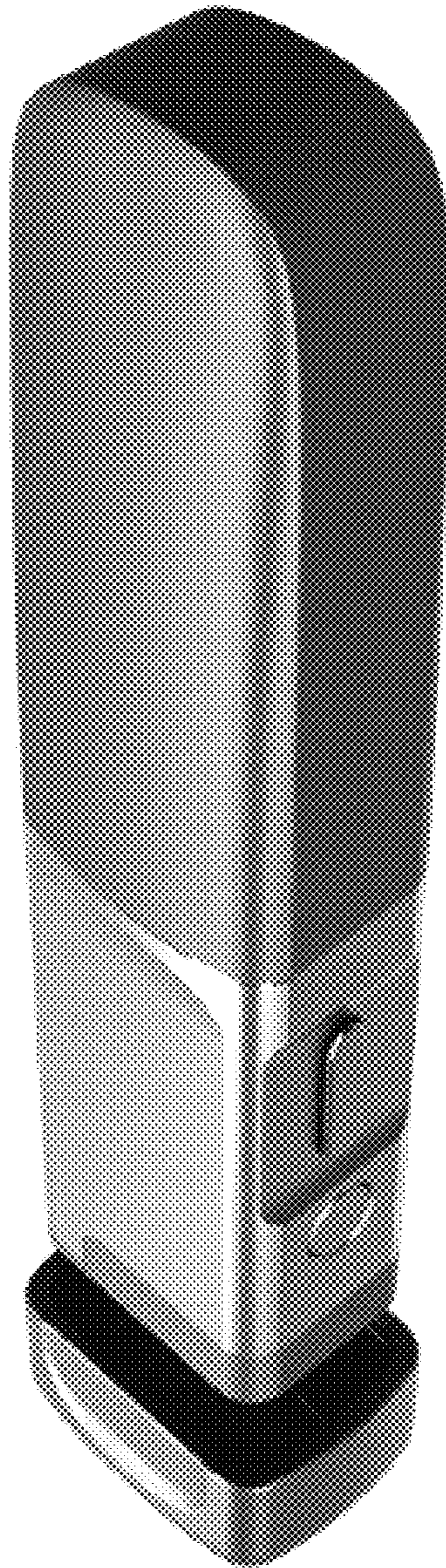


FIG.11

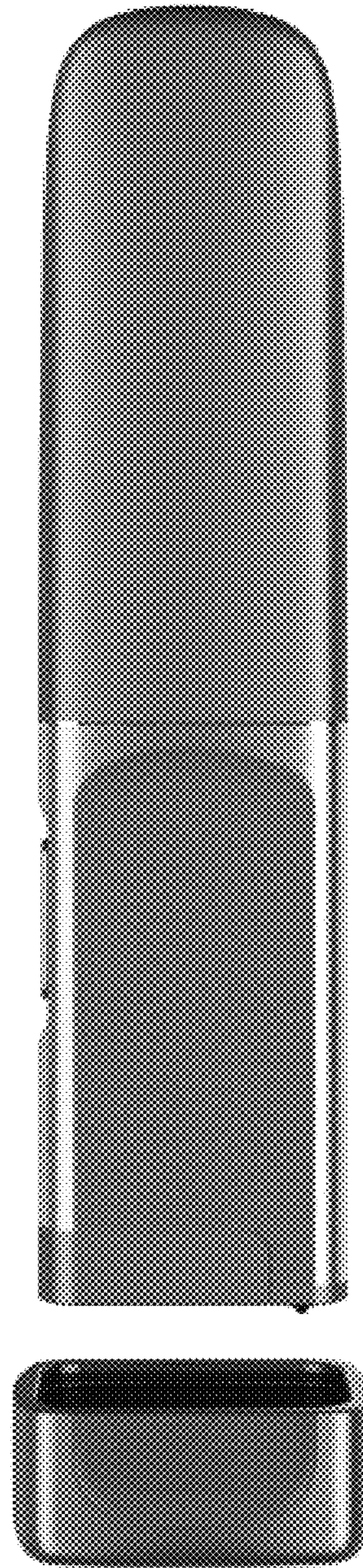


FIG.12

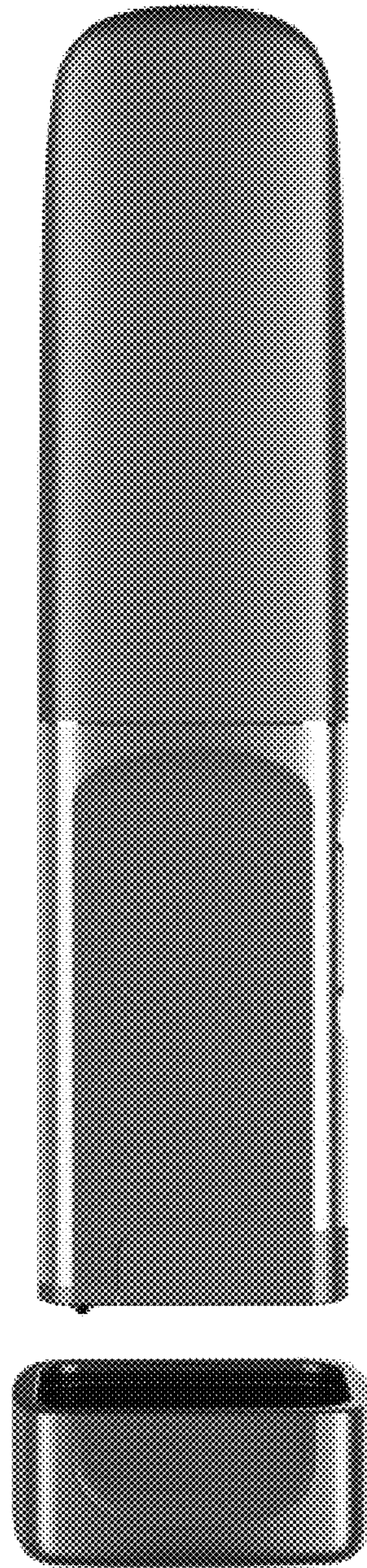


FIG.13

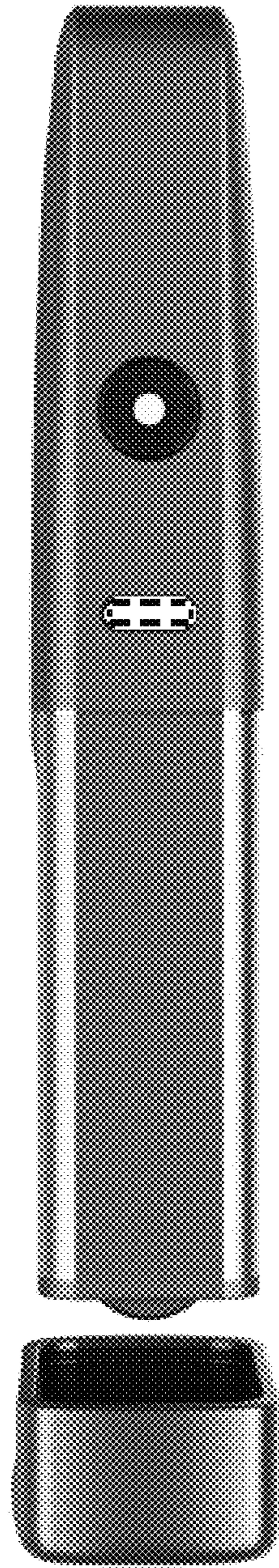


FIG.14

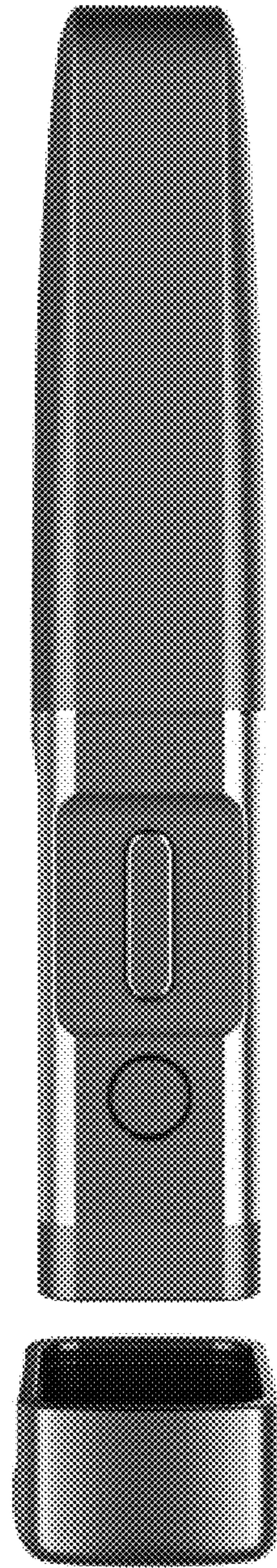


FIG.15

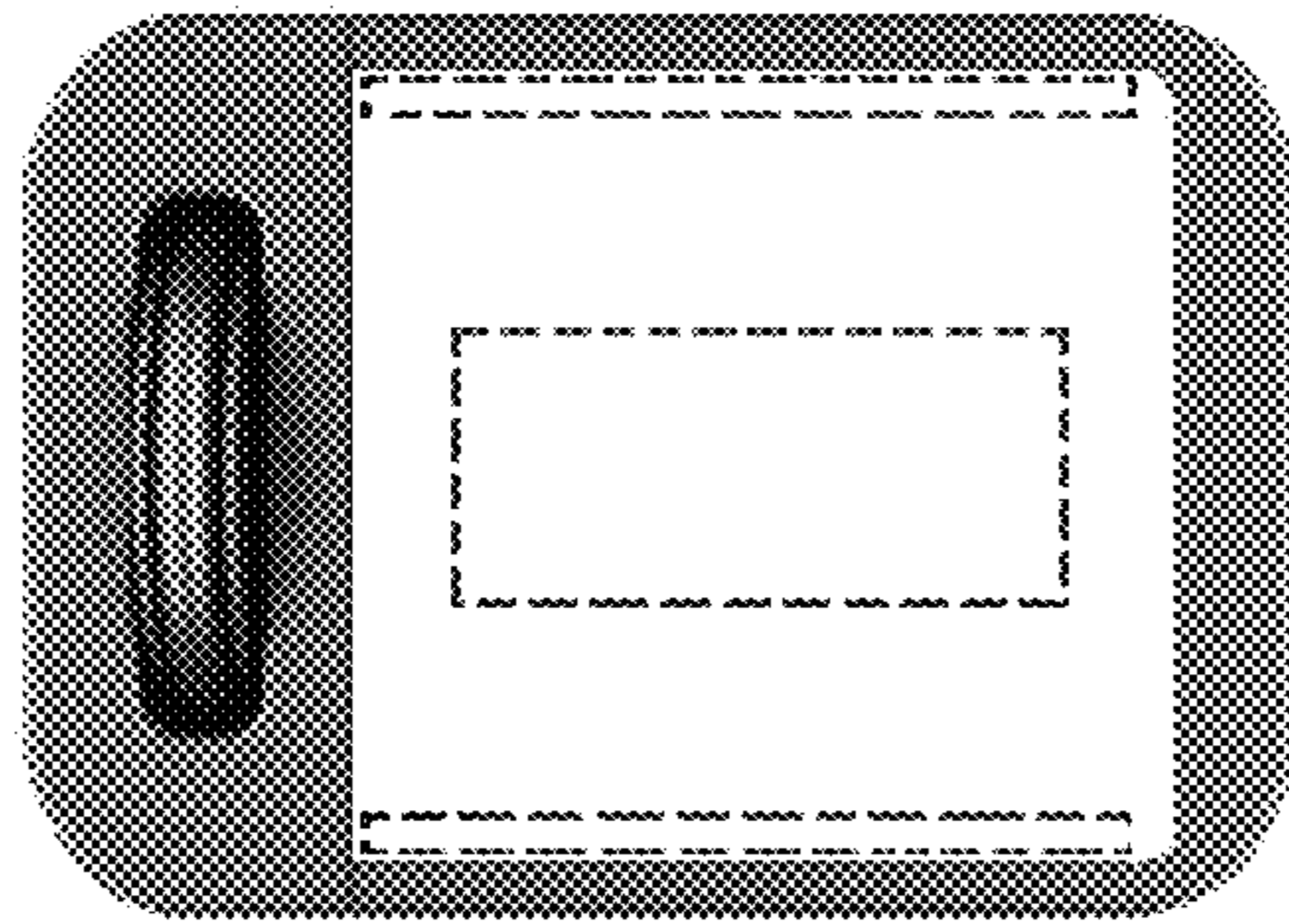


FIG.16