



US00D915505S

(12) **United States Design Patent**
Isobe

(10) **Patent No.:** **US D915,505 S**

(45) **Date of Patent:** **** Apr. 6, 2021**

(54) **LABEL PRINTER**

(71) Applicant: **SEIKO EPSON CORPORATION**,
Tokyo (JP)

(72) Inventor: **Shigeaki Isobe**, Matsumoto (JP)

(73) Assignee: **SEIKO EPSON CORPORATION**,
Tokyo (JP)

(**) Term: **15 Years**

(21) Appl. No.: **29/718,486**

(22) Filed: **Dec. 24, 2019**

(30) **Foreign Application Priority Data**

Jun. 28, 2019 (JP) 2019-014485
Jun. 28, 2019 (JP) 2019-014508

(51) **LOC (13) Cl.** **18-99**

(52) **U.S. Cl.**
USPC **D18/19; D18/50**

(58) **Field of Classification Search**
USPC D18/14, 15, 16, 17, 18, 19, 36, 37, 38,
D18/39, 40, 41, 45, 50, 53, 54, 55, 56;
(Continued)

(56) **References Cited**

U.S. PATENT DOCUMENTS

D465,236 S * 11/2002 Fukasawa D18/50
D523,072 S * 6/2006 Lee D18/14
(Continued)

FOREIGN PATENT DOCUMENTS

CN 305844054 * 6/2020
WO WO-2019187972 A1 * 10/2019 B41J 17/32
WO WO-2019189710 A1 * 10/2019 B41J 2/325

OTHER PUBLICATIONS

Amazon. Link: https://www.amazon.com/dp/B01IG8IOB4/ref=cm_sw_em_r_mt_dp_U_gcJgFbZ3GTA0P. Jul. 25, 2018. Brother Mobile PTP900W PT-P900W Powered Wireless Desktop Laminated Label Printer. (Year: 2018).*

Primary Examiner — Lauren D McVey

(57) **CLAIM**

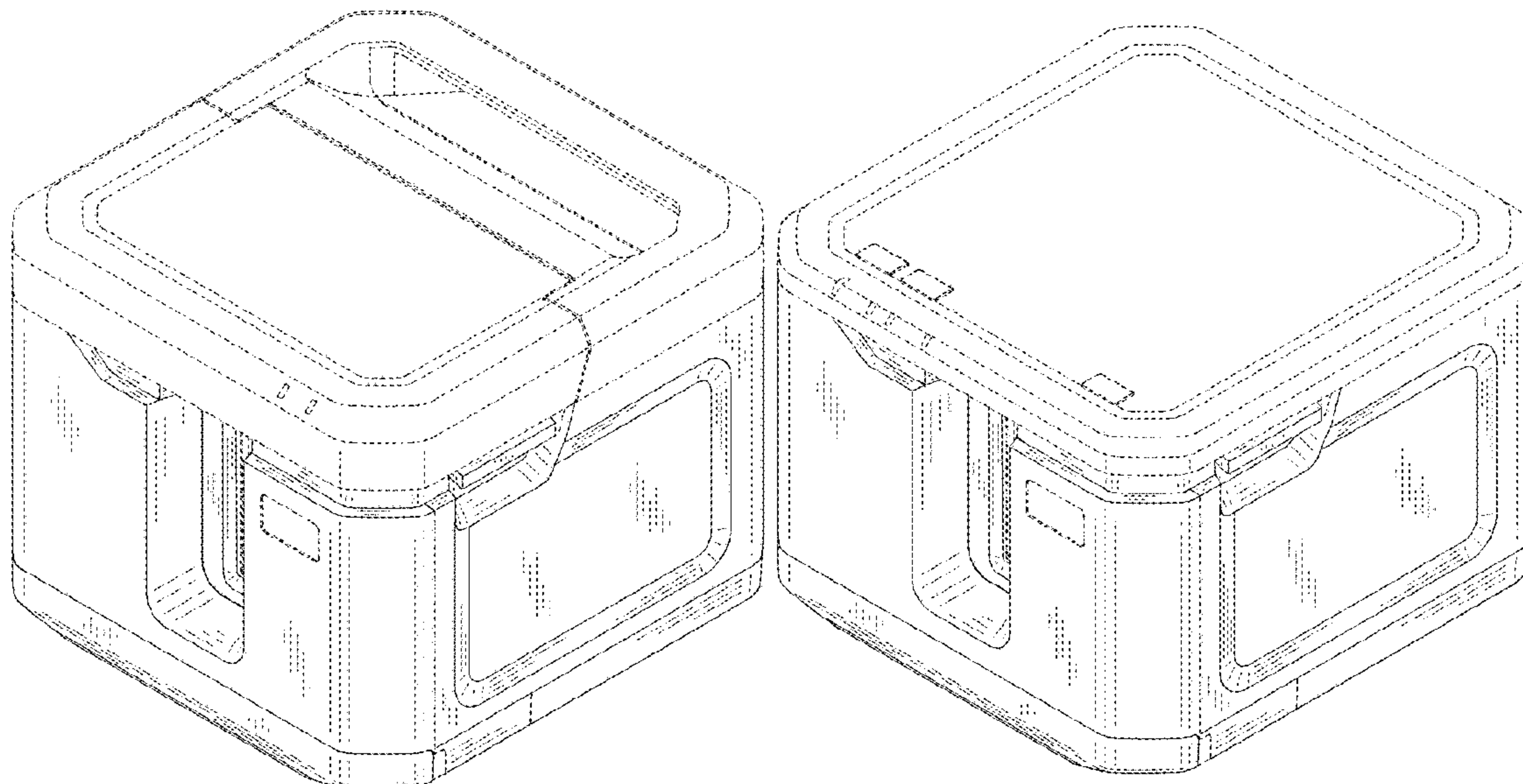
The ornamental design for a label printer, as shown and described.

DESCRIPTION

FIG. 1 is a front, top and right side perspective view of a first embodiment of a label printer showing my new design; FIG. 2 is a rear, top and left side perspective view thereof; FIG. 3 is a front view thereof; FIG. 4 is a rear view thereof; FIG. 5 is a top plan view thereof; FIG. 6 is a bottom plan view thereof; FIG. 7 is a right side view thereof; FIG. 8 is a left side view thereof; FIG. 9 is a front, top and right side perspective view of a second embodiment of a label printer showing my new design; FIG. 10 is a rear, top and left side perspective view thereof; FIG. 11 is a front view thereof; FIG. 12 is a rear view thereof; FIG. 13 is a top plan view thereof; FIG. 14 is a bottom plan view thereof; FIG. 15 is a right side view thereof; and, FIG. 16 is a left side view thereof.

The broken lines immediately adjacent to the shaded areas and defining unshaded regions depict the bounds of the claimed design, while all other broken lines are directed to the environment. The broken lines form no part of the claimed design.

1 Claim, 16 Drawing Sheets



(58) **Field of Classification Search**

USPC D19/65, 66, 67, 68, 69, 70, 71; D14/301,
D14/307, 121
CPC H04N 1/00204; H04N 1/00249; H04N
1/00278; G06K 15/12; G06K 15/14; B41J
3/00; B41J 3/28; B41J 3/445; B41J 3/46;
B41J 11/0045; B41J 2/3358; B41J 3/36;
B41J 3/382

See application file for complete search history.

(56) **References Cited**

U.S. PATENT DOCUMENTS

D641,394	S	*	7/2011	Inada	D18/50
D766,359	S	*	9/2016	Takahashi	D18/50
D766,360	S	*	9/2016	Takahashi	D18/50
D767,671	S	*	9/2016	Endo	D18/50
D786,341	S	*	5/2017	Iwai	D18/50
D828,442	S	*	9/2018	Higuchi	D18/50
D829,276	S	*	9/2018	Higuchi	D18/50
D855,692	S	*	8/2019	Eun	D18/50
D865,049	S	*	10/2019	Bidwell	D18/19
D888,821	S	*	6/2020	Liao	D18/14
D889,535	S	*	7/2020	Chen	D18/14

* cited by examiner

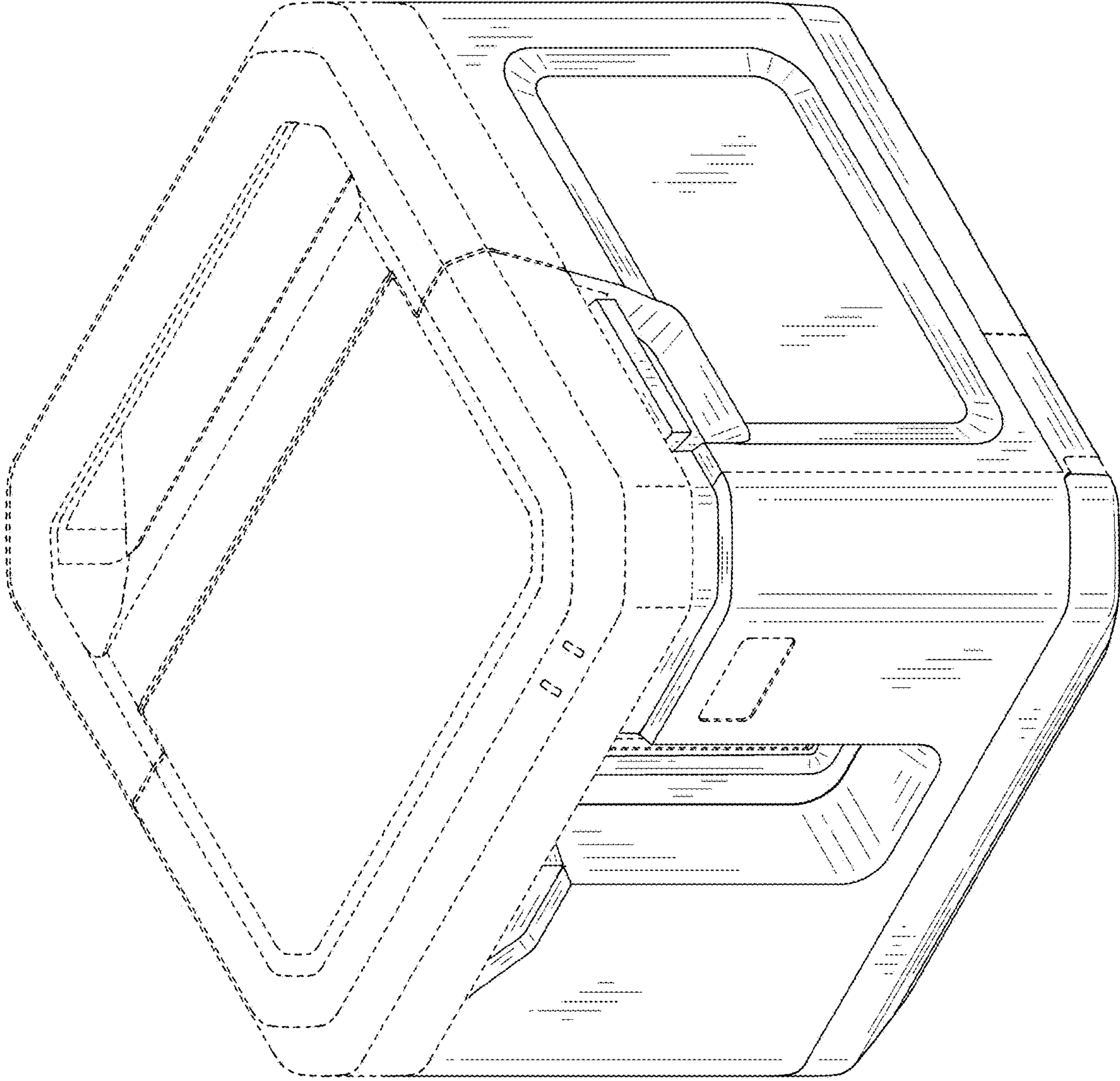


FIG.1

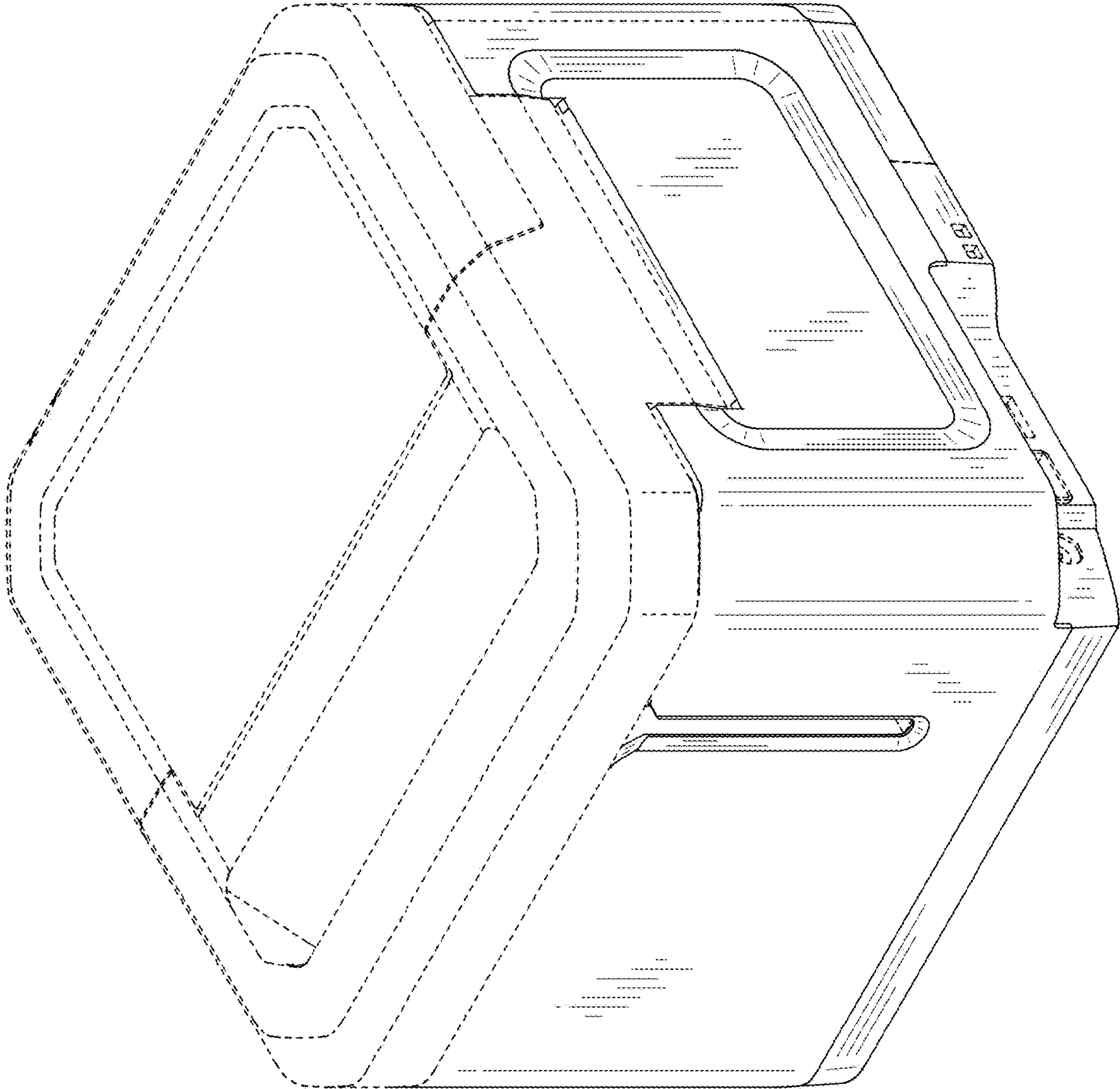


FIG.2

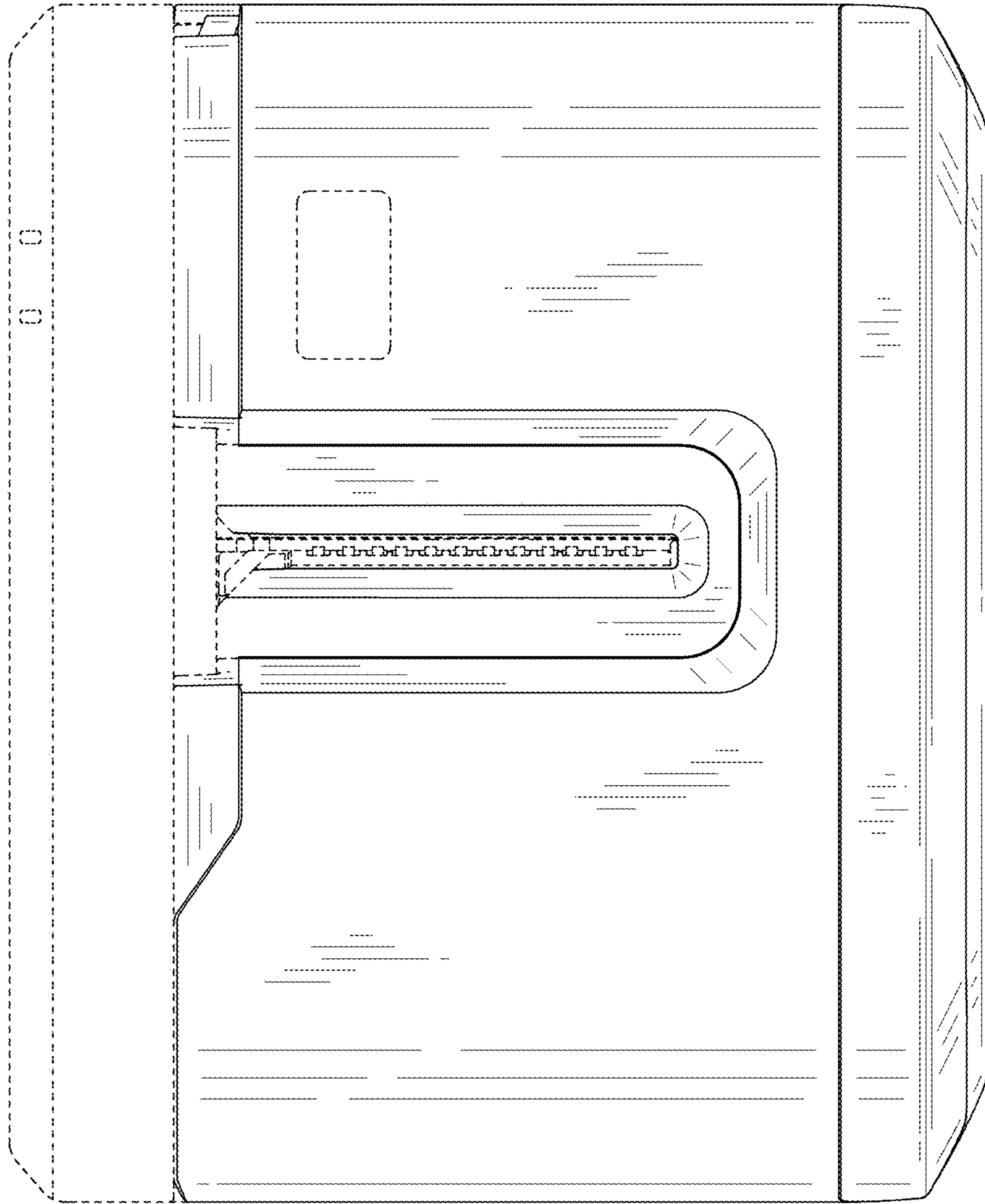


FIG.3

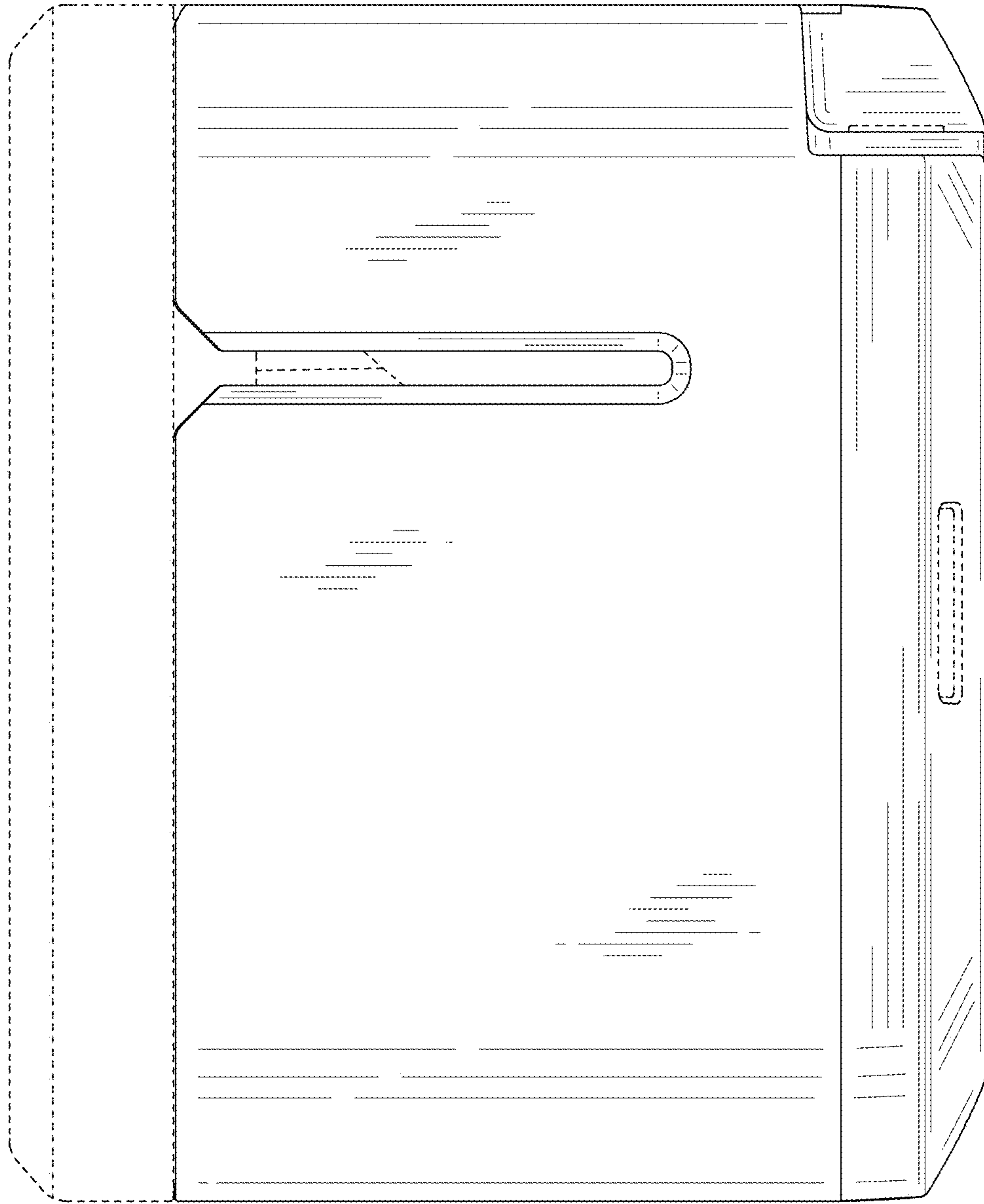


FIG.4

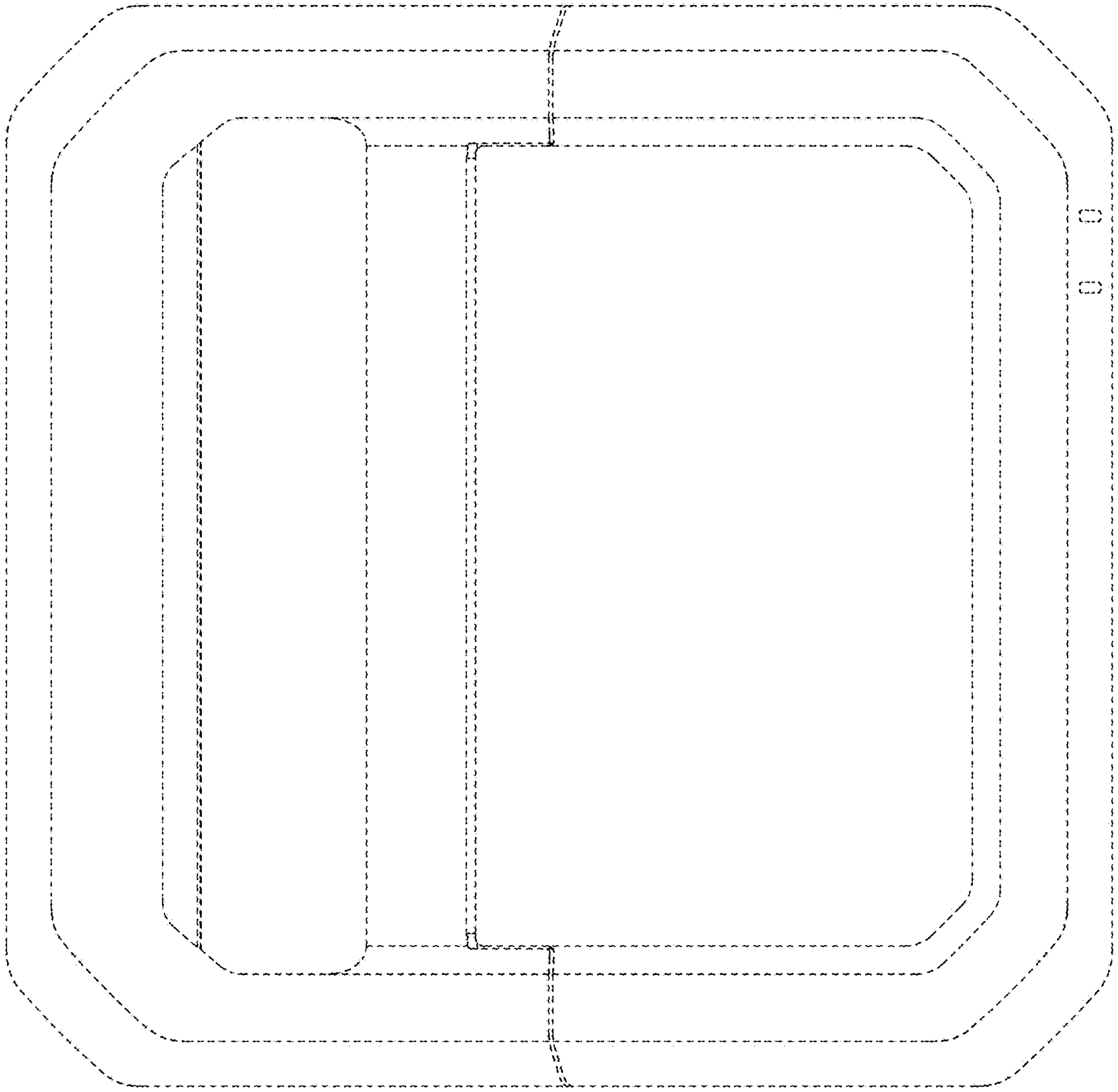


FIG. 5

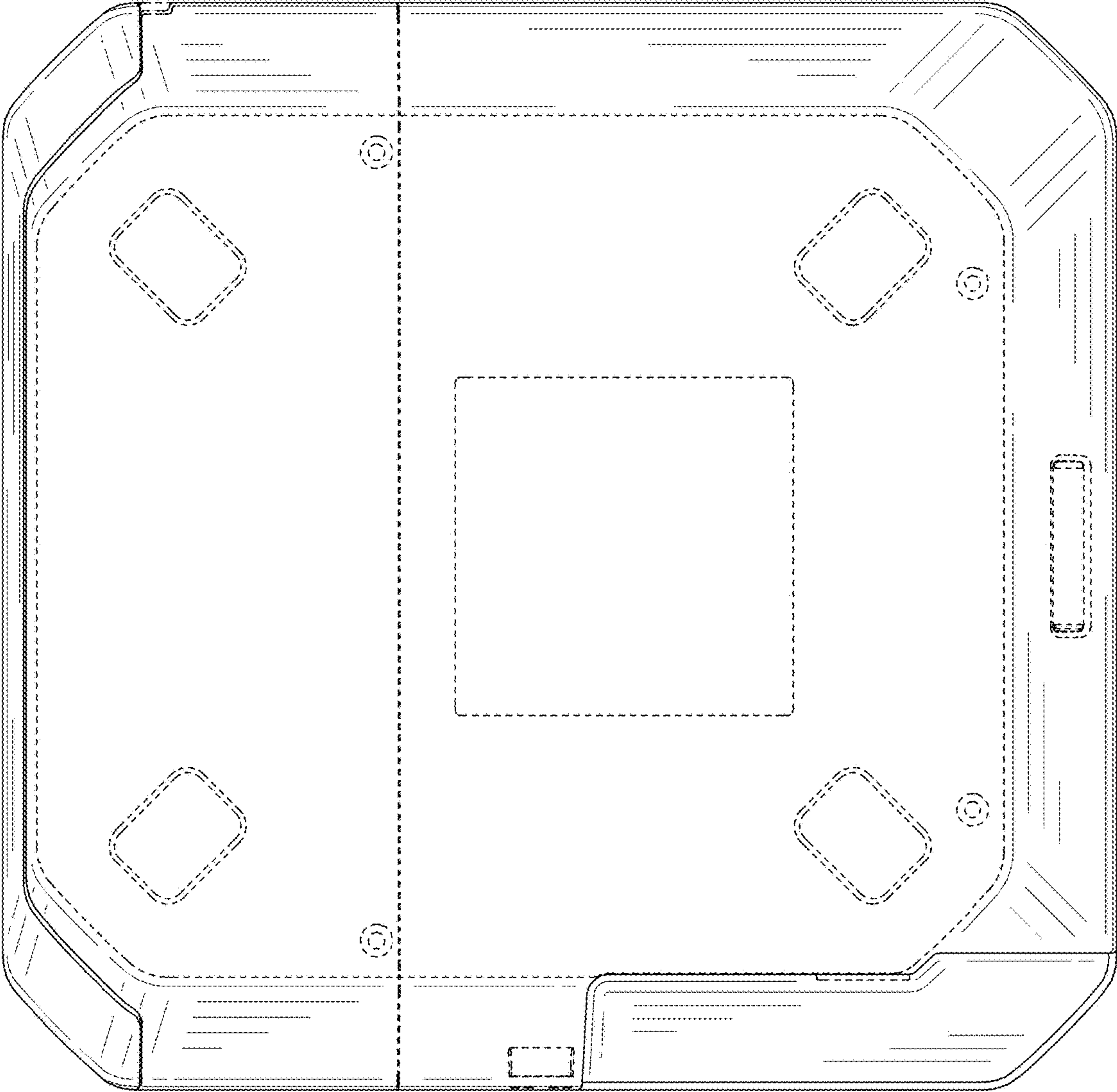


FIG.6

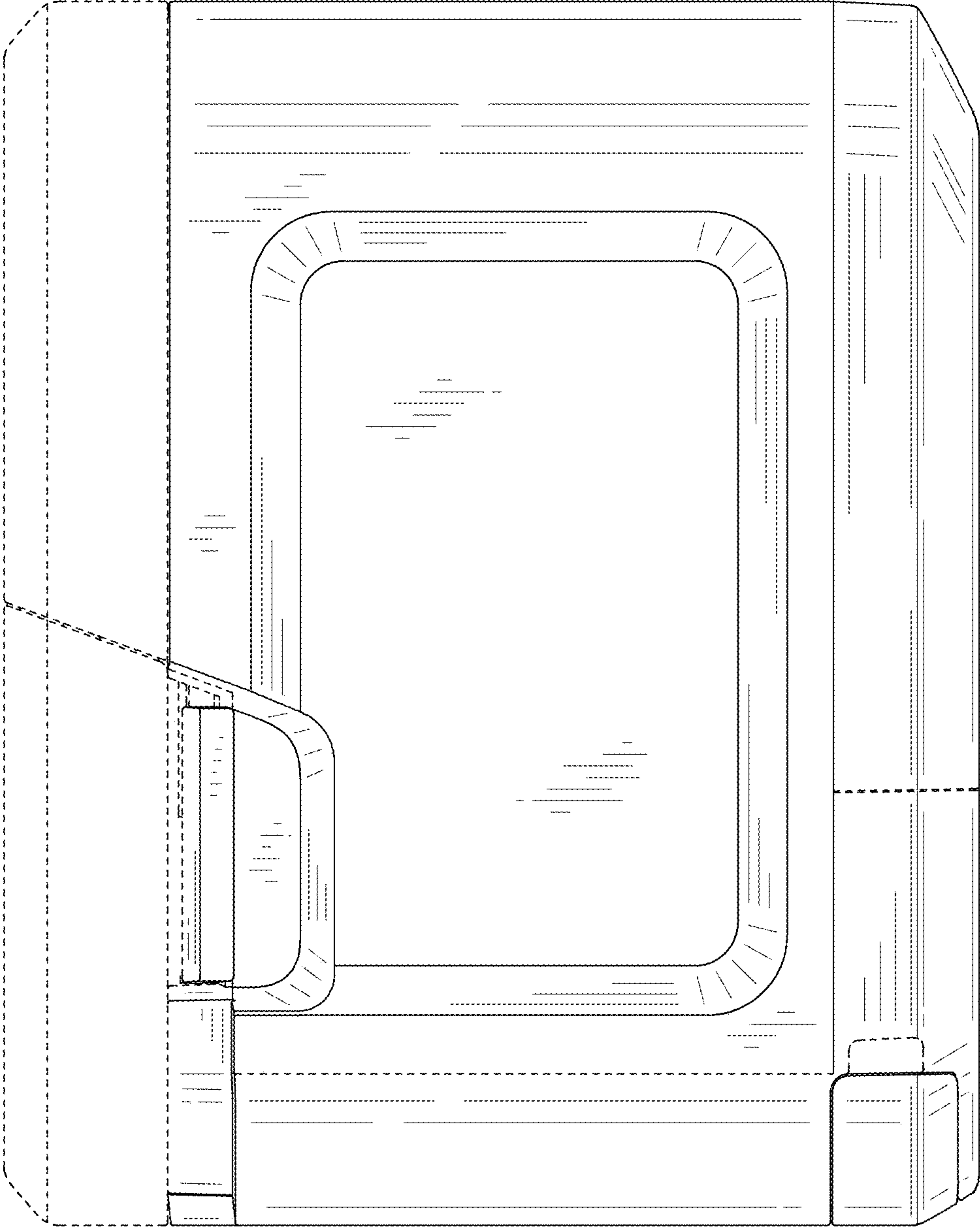


FIG.7

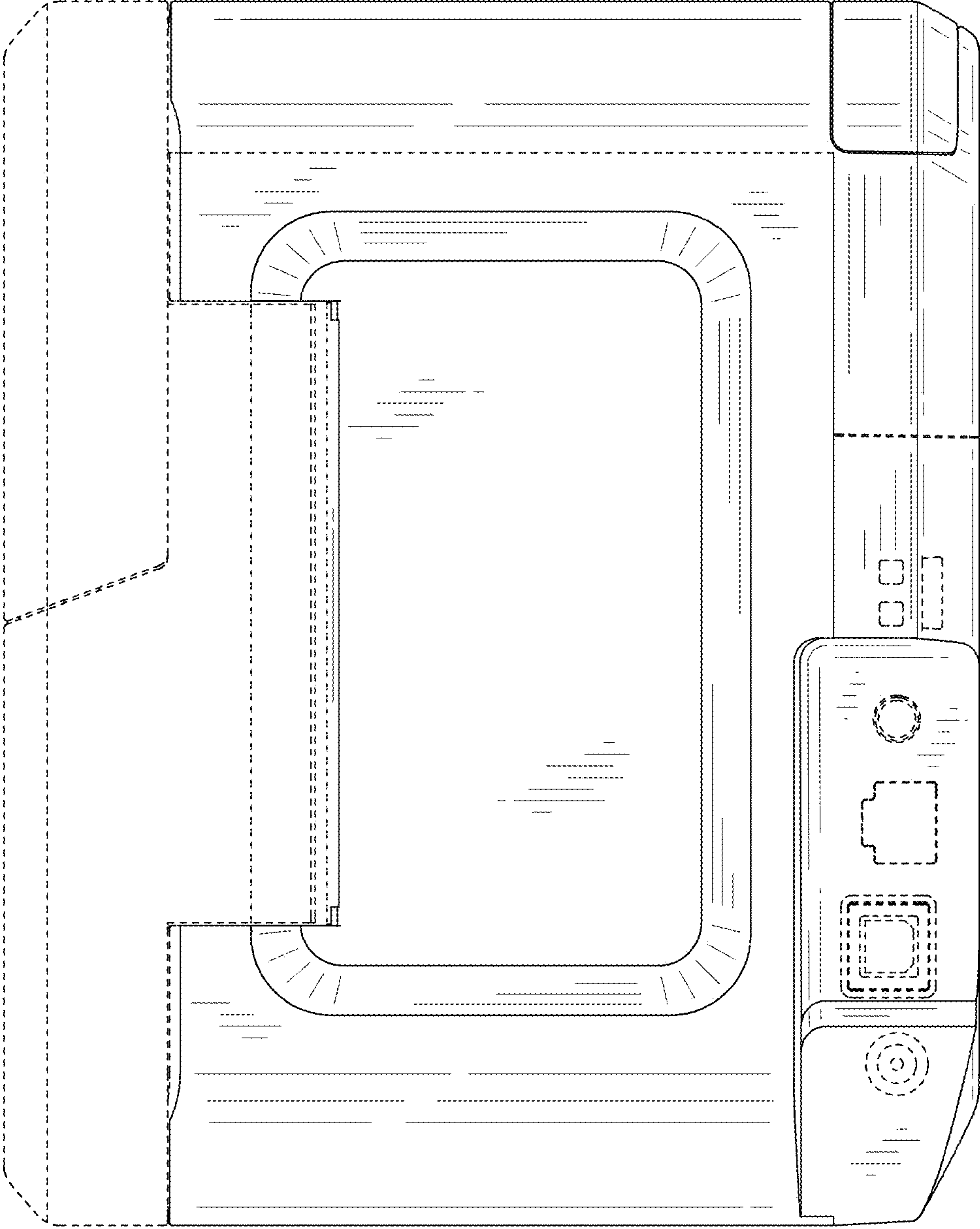


FIG.8

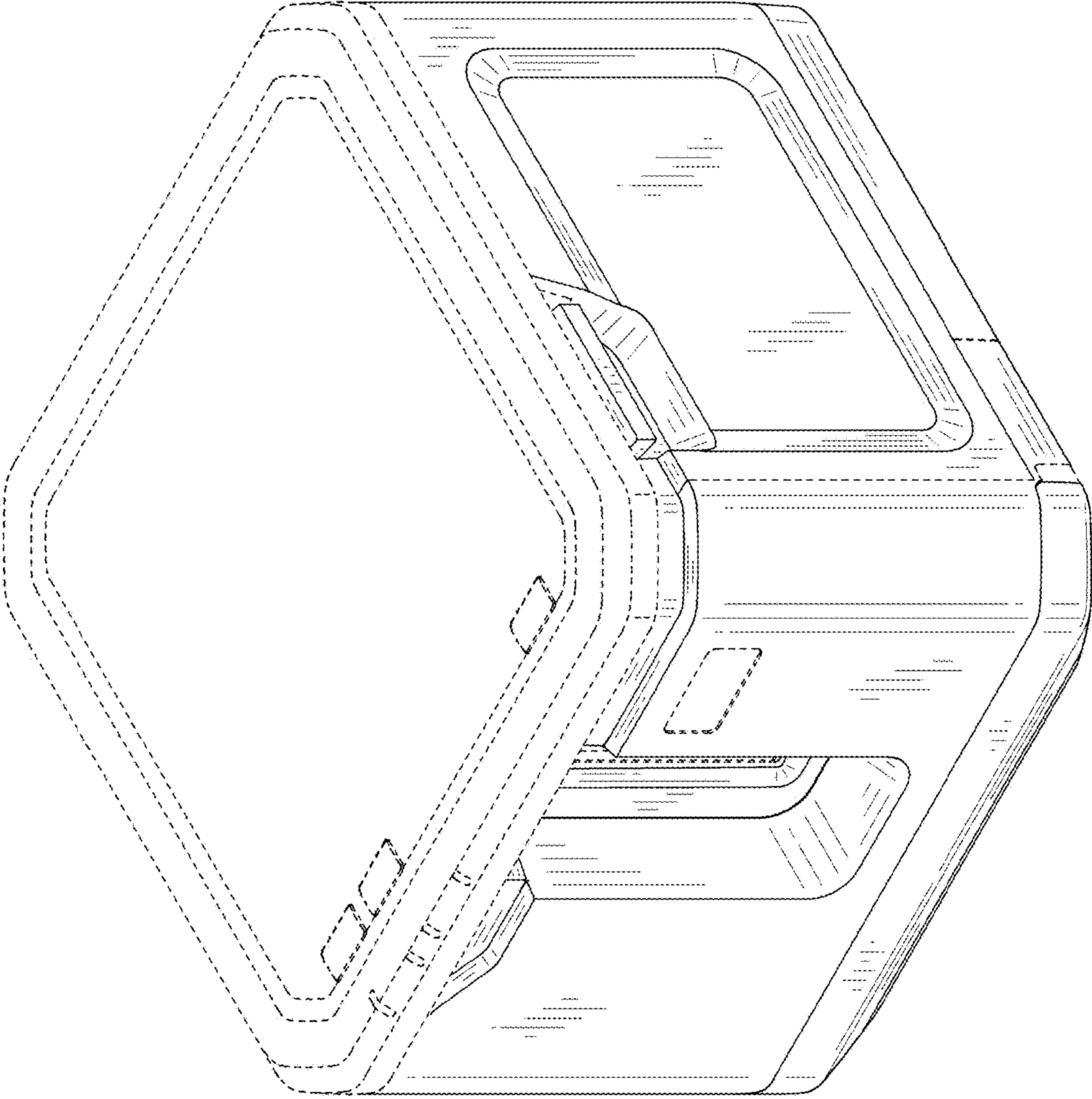


FIG.9

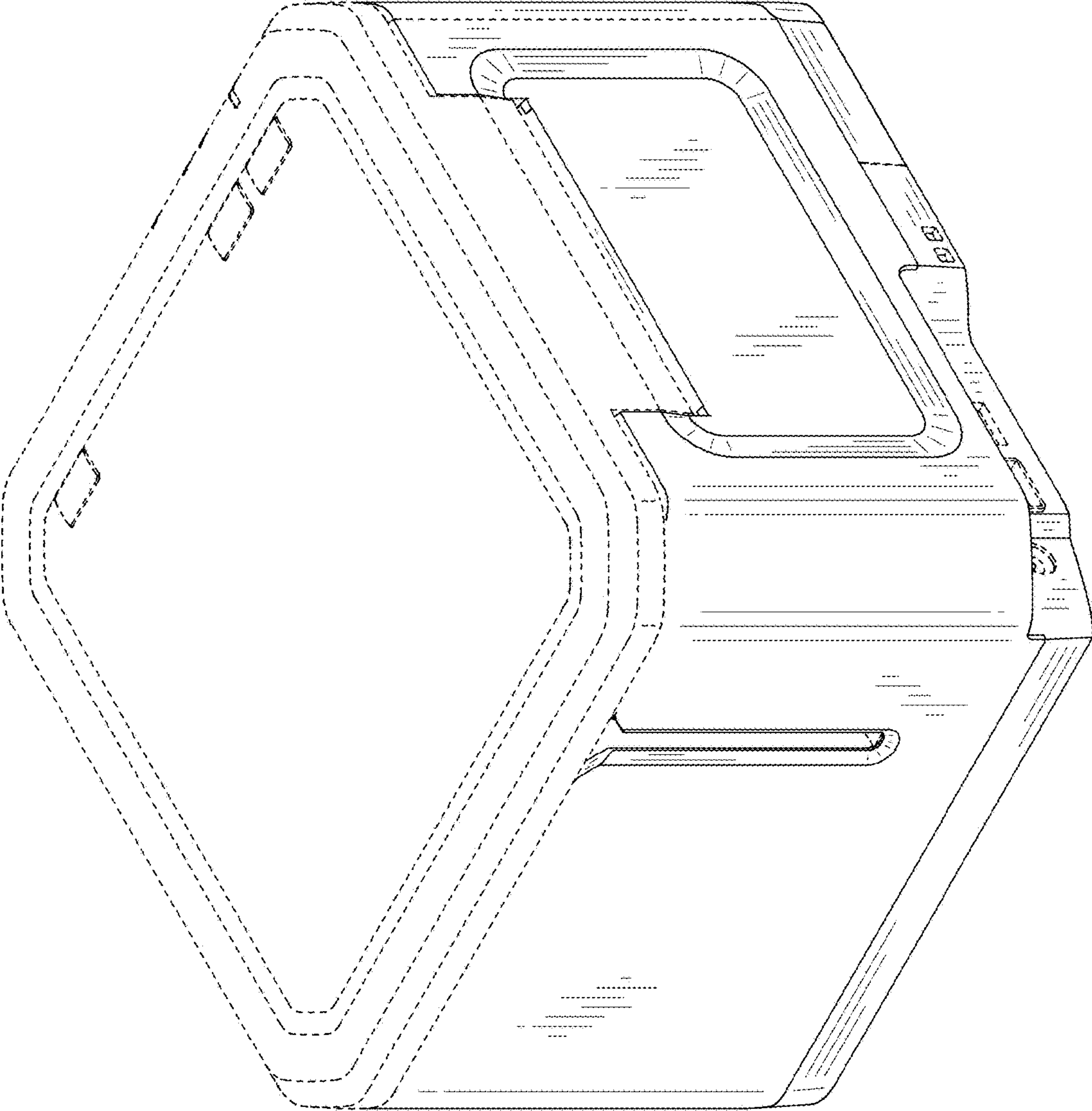


FIG.10

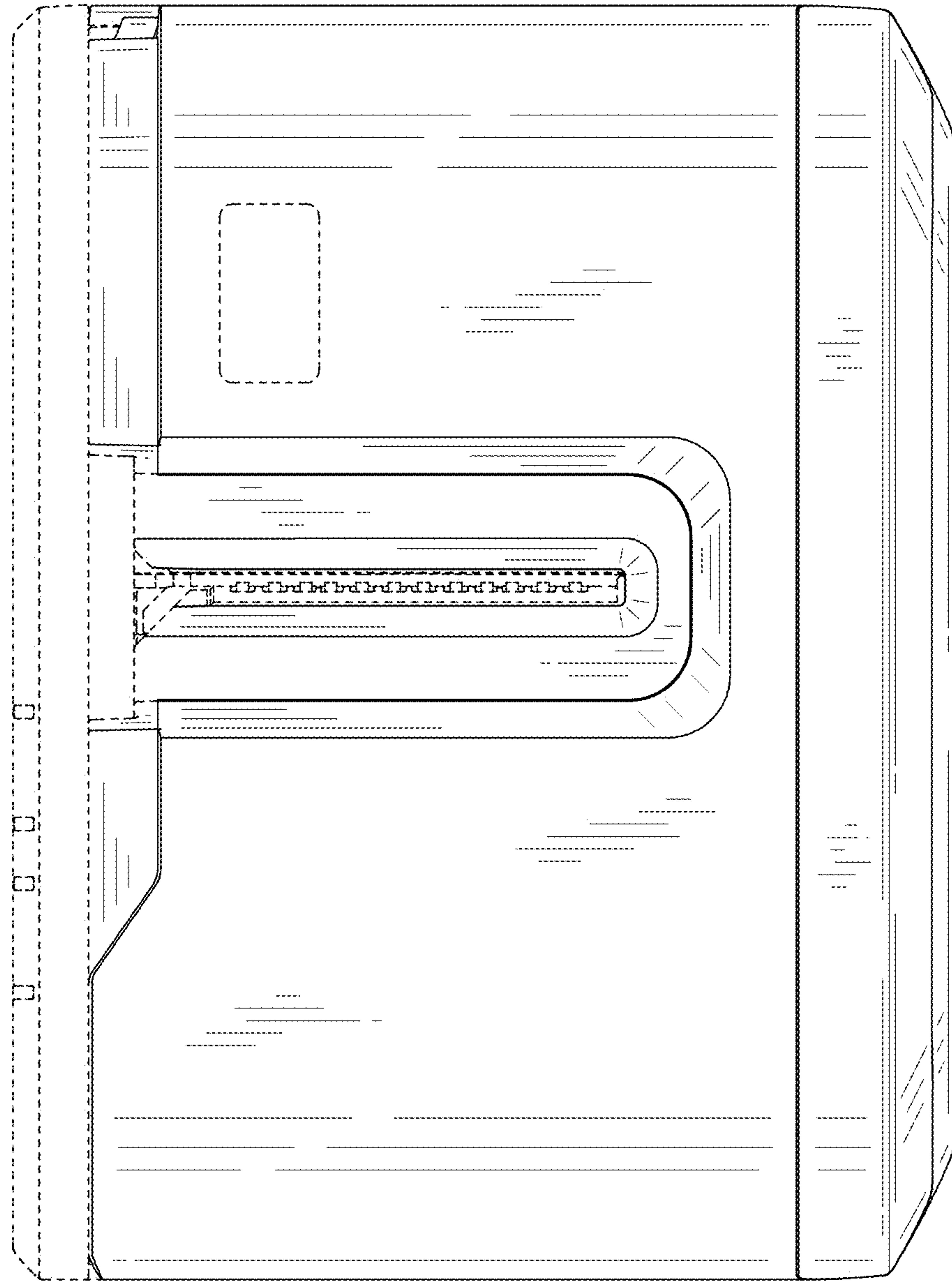


FIG.11

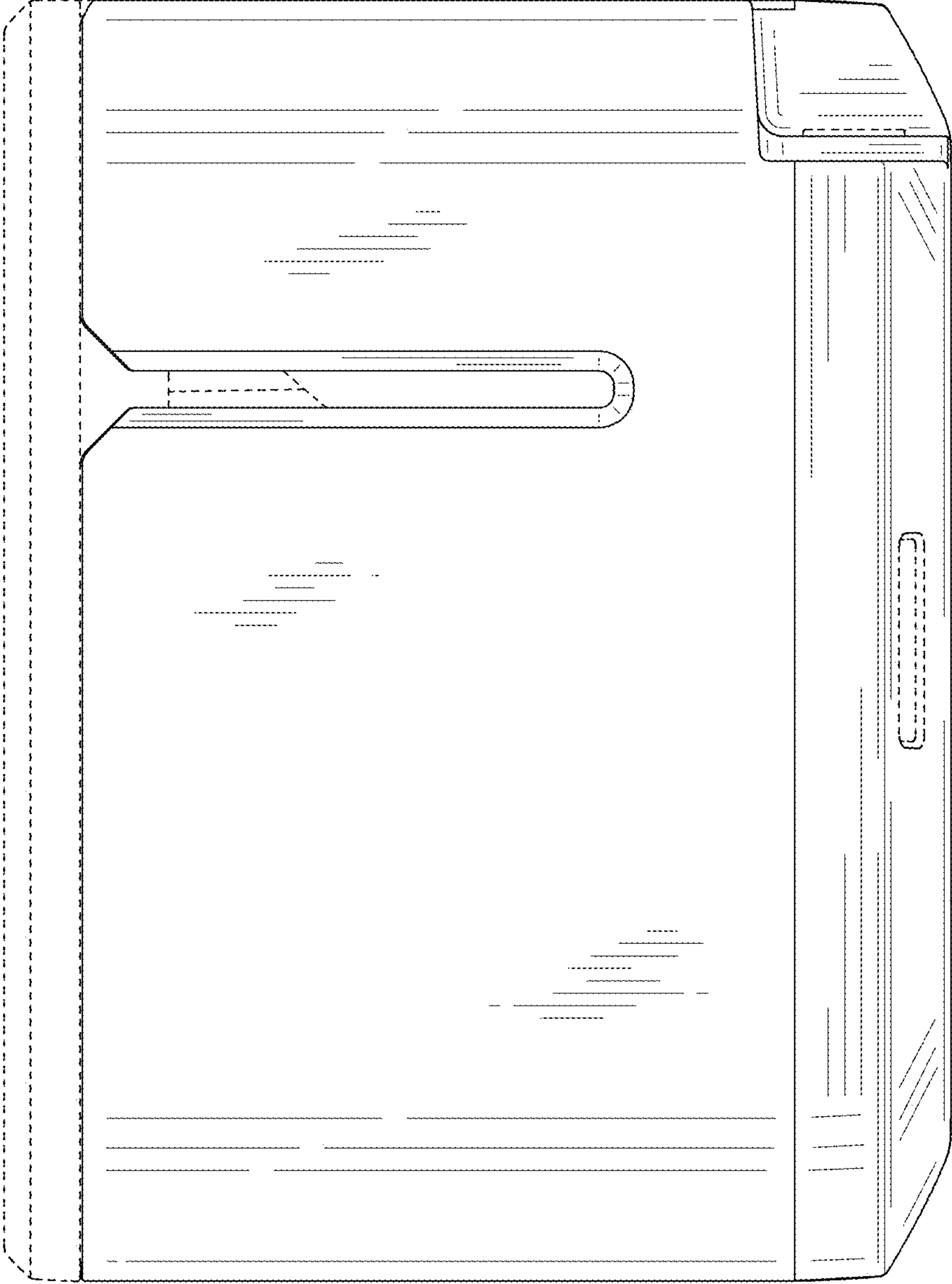


FIG.12

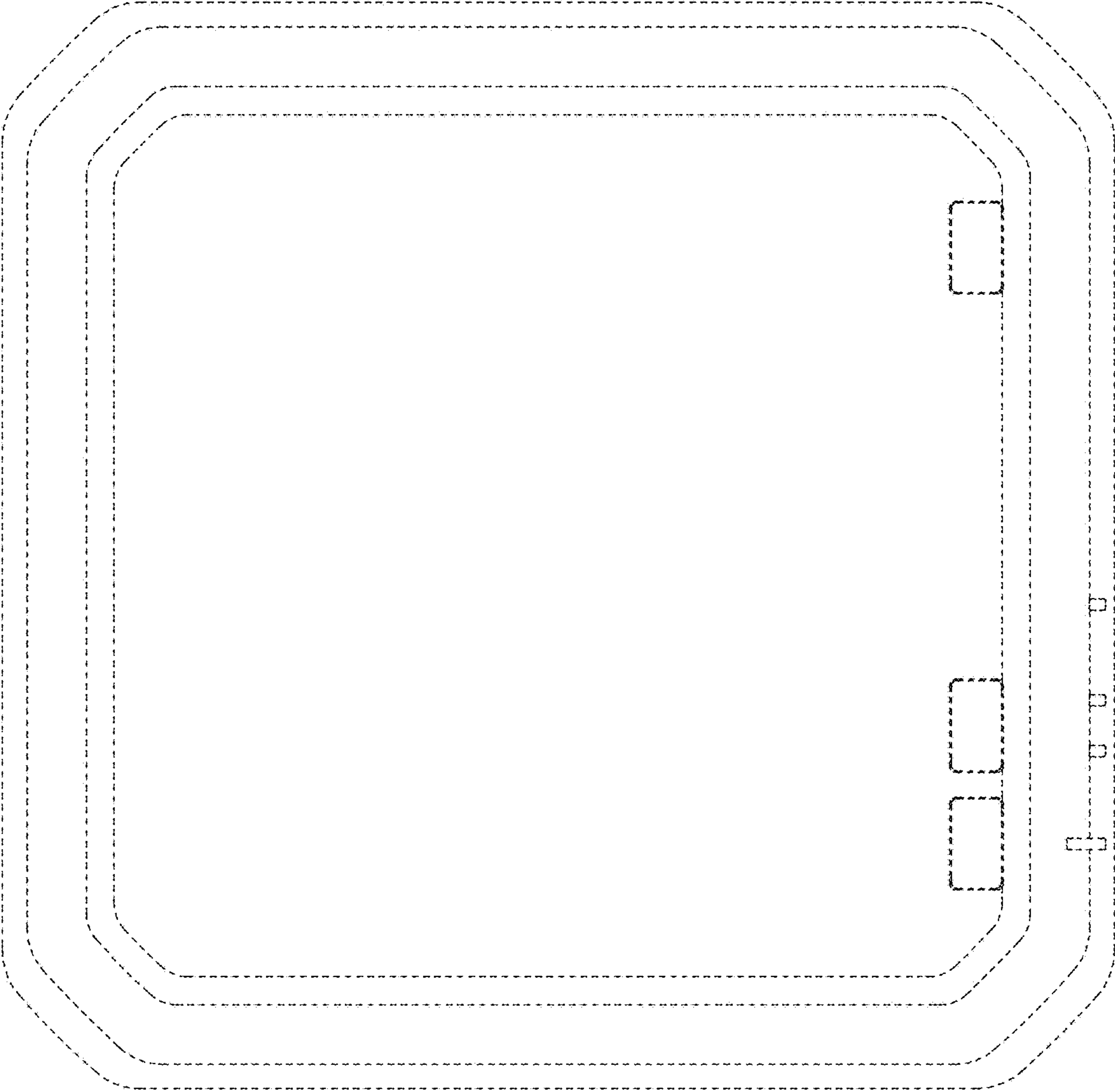


FIG.13

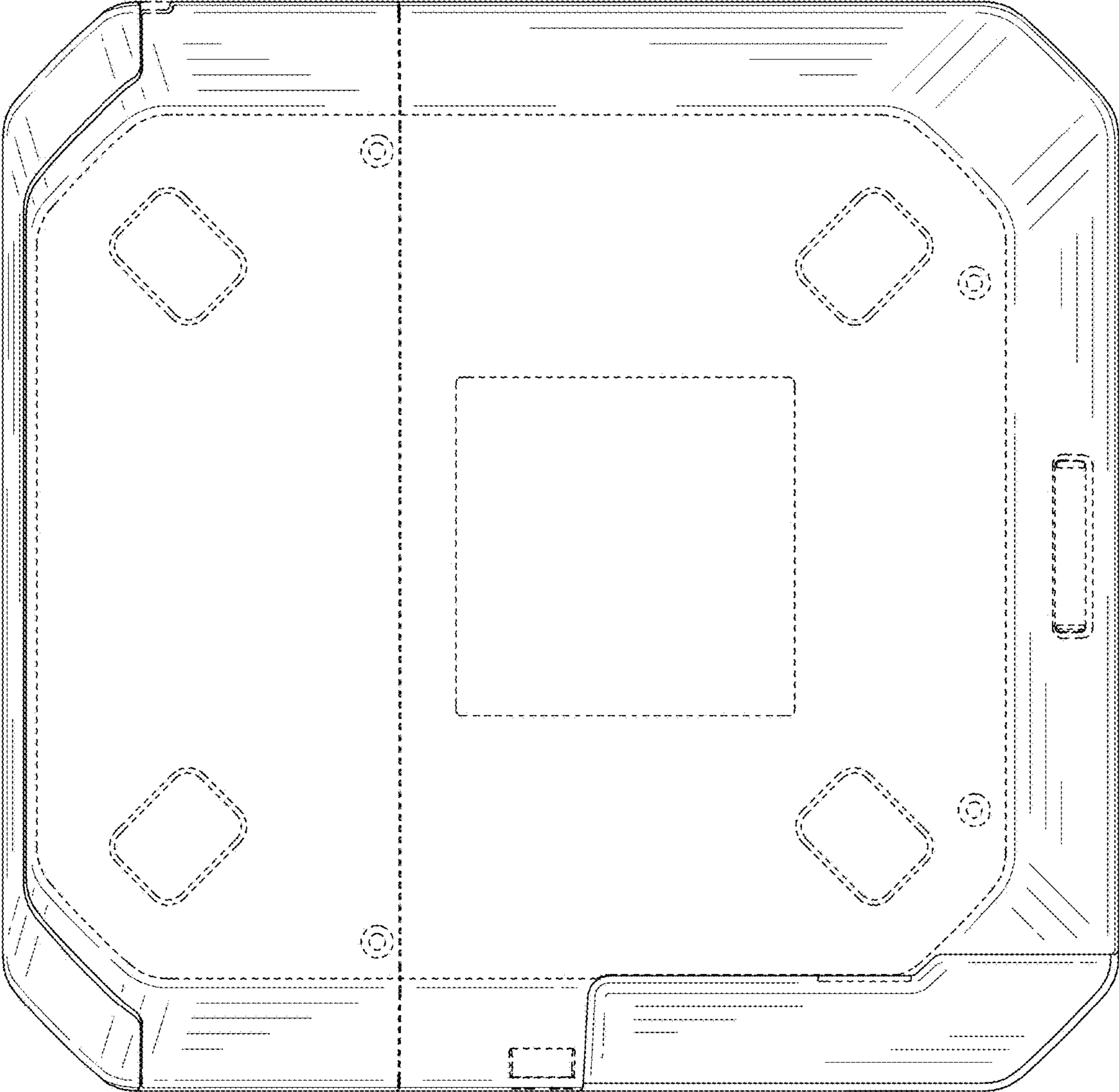


FIG.14

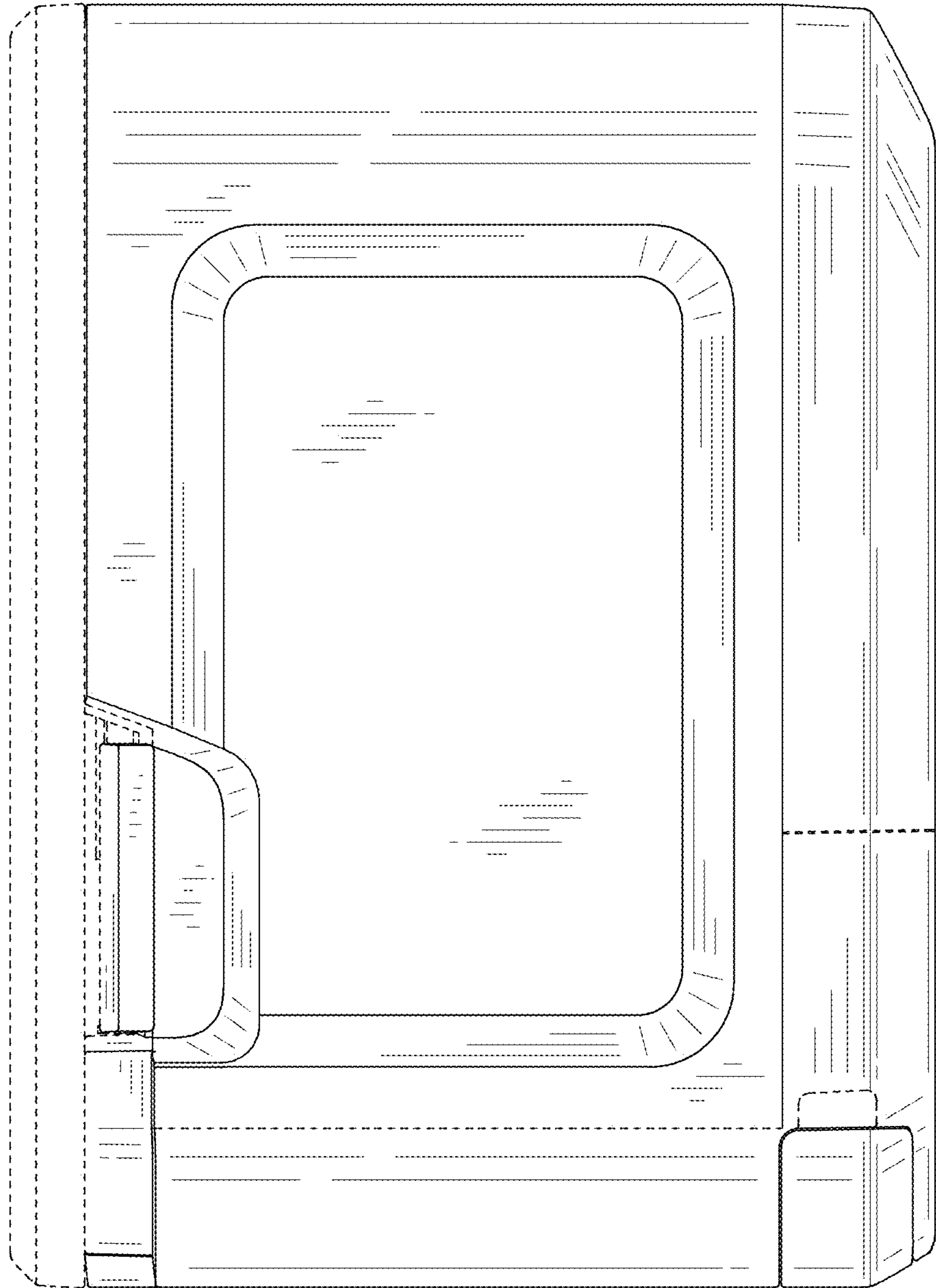


FIG.15

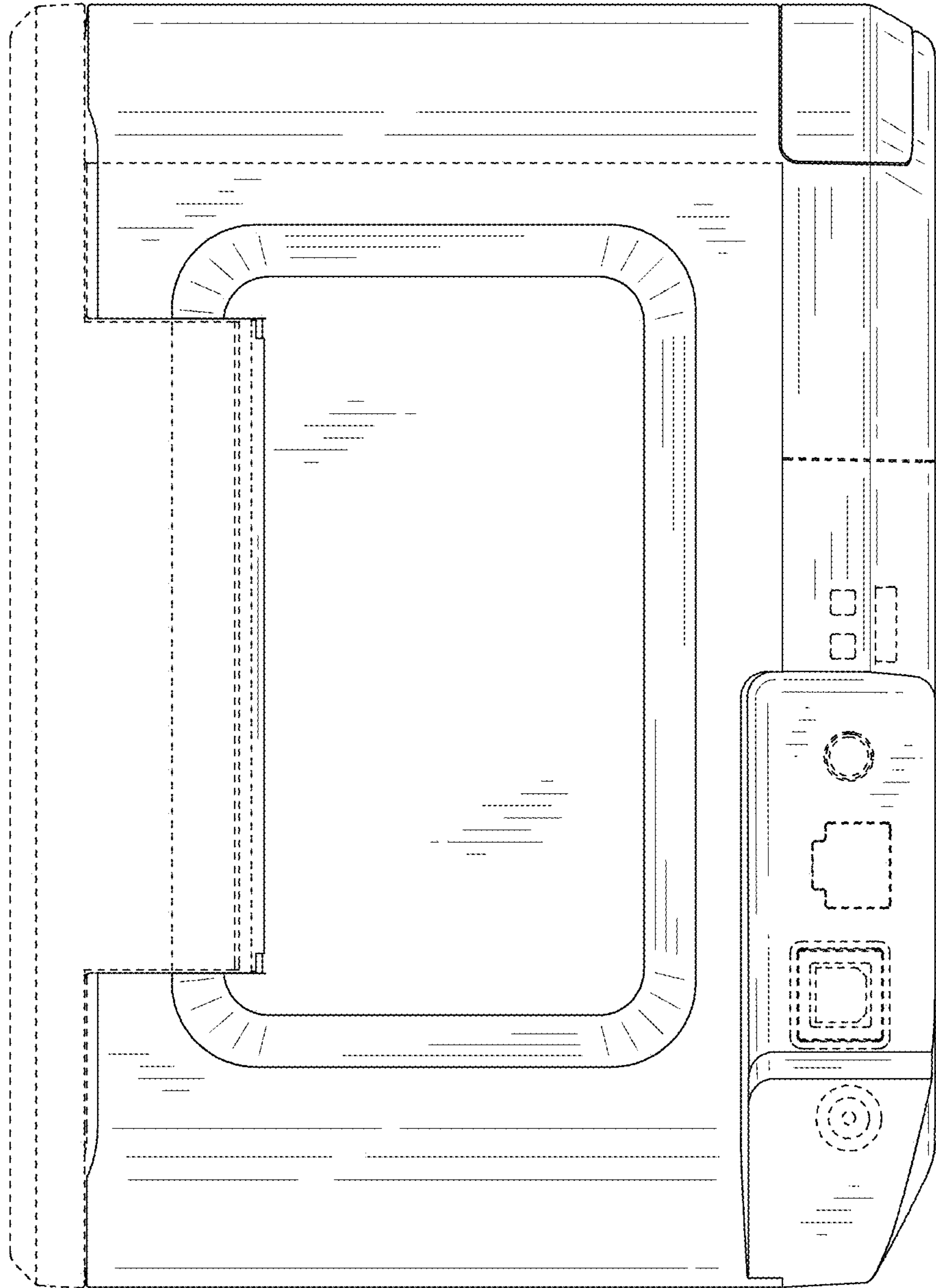


FIG.16