



US00D915504S

(12) **United States Design Patent**
Wang et al.

(10) **Patent No.:** **US D915,504 S**
(45) **Date of Patent:** **** Apr. 6, 2021**

(54) **SMART PAYMENT TERMINAL**
(71) Applicant: **PAX COMPUTER TECHNOLOGY (SHENZHEN) CO., LTD.**, Shenzhen (CN)
(72) Inventors: **Yuzhuo Wang**, Shenzhen (CN); **Wenrong Chen**, Shenzhen (CN)
(73) Assignee: **PAX COMPUTER TECHNOLOGY (SHENZHEN) CO., LTD.**, Shenzhen (CN)

D554,694 S * 11/2007 Slinckx D18/4.4
D624,114 S * 9/2010 Ausems G07F 7/0886
D18/4.6
D642,609 S * 8/2011 Goldin D18/4.4
D716,369 S * 10/2014 Park D18/4.6
D716,370 S * 10/2014 Park D18/4.6
D716,371 S * 10/2014 Lee D18/4.6
D729,867 S * 5/2015 Lee D18/4.6

(Continued)

(**) Term: **15 Years**
(21) Appl. No.: **29/707,077**
(22) Filed: **Sep. 25, 2019**

FOREIGN PATENT DOCUMENTS

JP 5610657 B1 * 10/2014

OTHER PUBLICATIONS

S300_ENG_new. (online) 2 pgs. Copyright 2013. [retrieved Dec. 3, 2020] https://posguys.com/download/pax_s300_datasheet.pdf*

Primary Examiner — Marie D. Fast Horse
(74) *Attorney, Agent, or Firm* — Robert L. Stearns; Dickinson Wright, PLLC

(30) **Foreign Application Priority Data**

Aug. 21, 2019 (CN) 201930455440.X

(51) **LOC (13) Cl.** **18-01**
(52) **U.S. Cl.**
USPC **D18/4.6; D14/385; D14/387**

(57) **CLAIM**

The ornamental design for a “smart payment terminal,” as shown and described.

(58) **Field of Classification Search**
USPC D18/4.4, 4.5, 4.6, 2, 11, 50, 14, 19–21, D18/54, 54.1, 99; D10/46, 61, 62, 70, D10/104.1, 104.2, 106.2, 106.6, 65, 66; D20/1, 8, 9; D14/496, 299, 338, 339, D14/341, 346, 383, 385, 386, 387, 440, D14/507, 137, 138 R, 138 AA, 138 G; D99/28, 43
CPC H04W 8/22; H04W 52/0225; H04W 52/0254; G06Q 20/00; G06Q 20/08; G06Q 20/20; G06Q 20/204; G07F 7/0873; G07F 7/088; G07F 7/0886; G07F 7/0893; G07F 7/025
See application file for complete search history.

DESCRIPTION

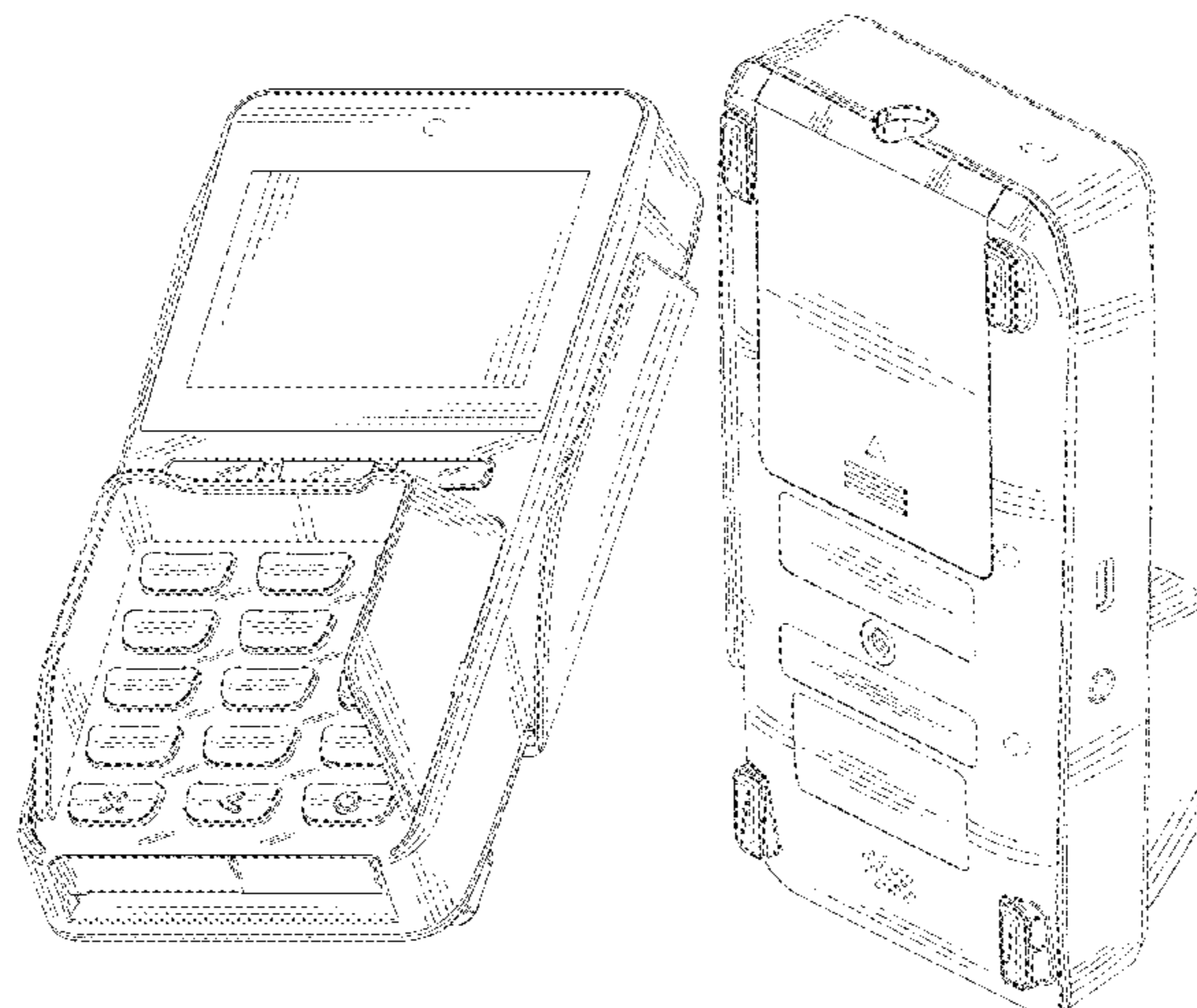
FIG. 1 is a front perspective view of a smart payment terminal;
FIG. 2 is a rear perspective view thereof;
FIG. 3 is a front view thereof;
FIG. 4 is a rear view thereof;
FIG. 5 is a left side view thereof;
FIG. 6 is a right side view thereof;
FIG. 7 is a top view thereof; and,
FIG. 8 is a bottom view thereof.
The broken lines in the figures depict portions of the smart payment terminal that form no part of the claimed design.

(56) **References Cited**

U.S. PATENT DOCUMENTS

D381,675 S * 7/1997 Droege D18/4.6
D414,163 S * 9/1999 Hesselbach D14/387

1 Claim, 8 Drawing Sheets



(56)

References Cited

U.S. PATENT DOCUMENTS

D768,766 S * 10/2016 Demange D18/4.4
D768,767 S * 10/2016 Demange D18/4.4
D791,223 S * 7/2017 Blanc D14/385
D823,935 S * 7/2018 Wang D14/385
D851,697 S * 6/2019 Qiu D18/4.6
2017/0046678 A1* 2/2017 Demir G06Q 20/204
2017/0140179 A1* 5/2017 Neo G06K 7/084

* cited by examiner

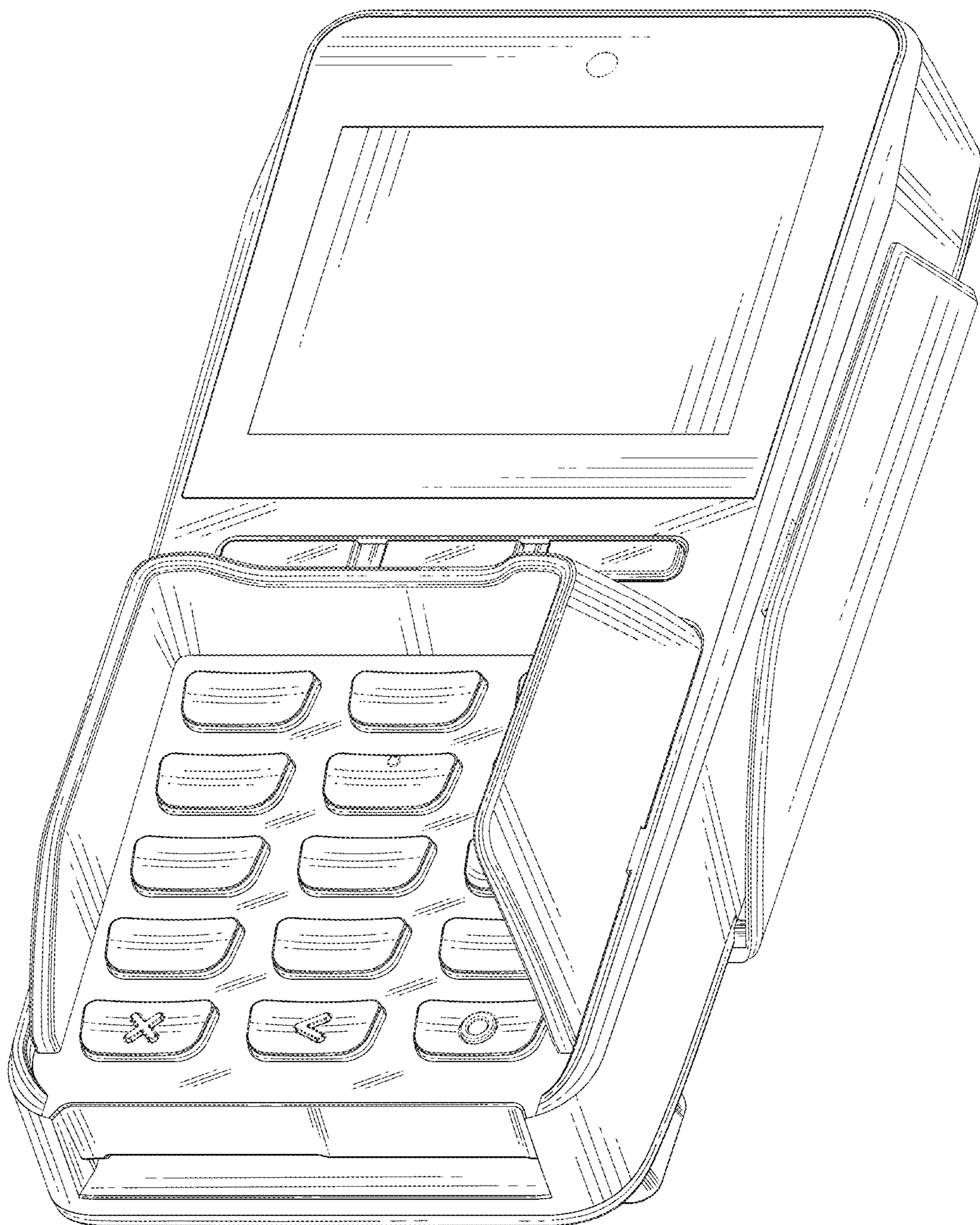


FIG. 1

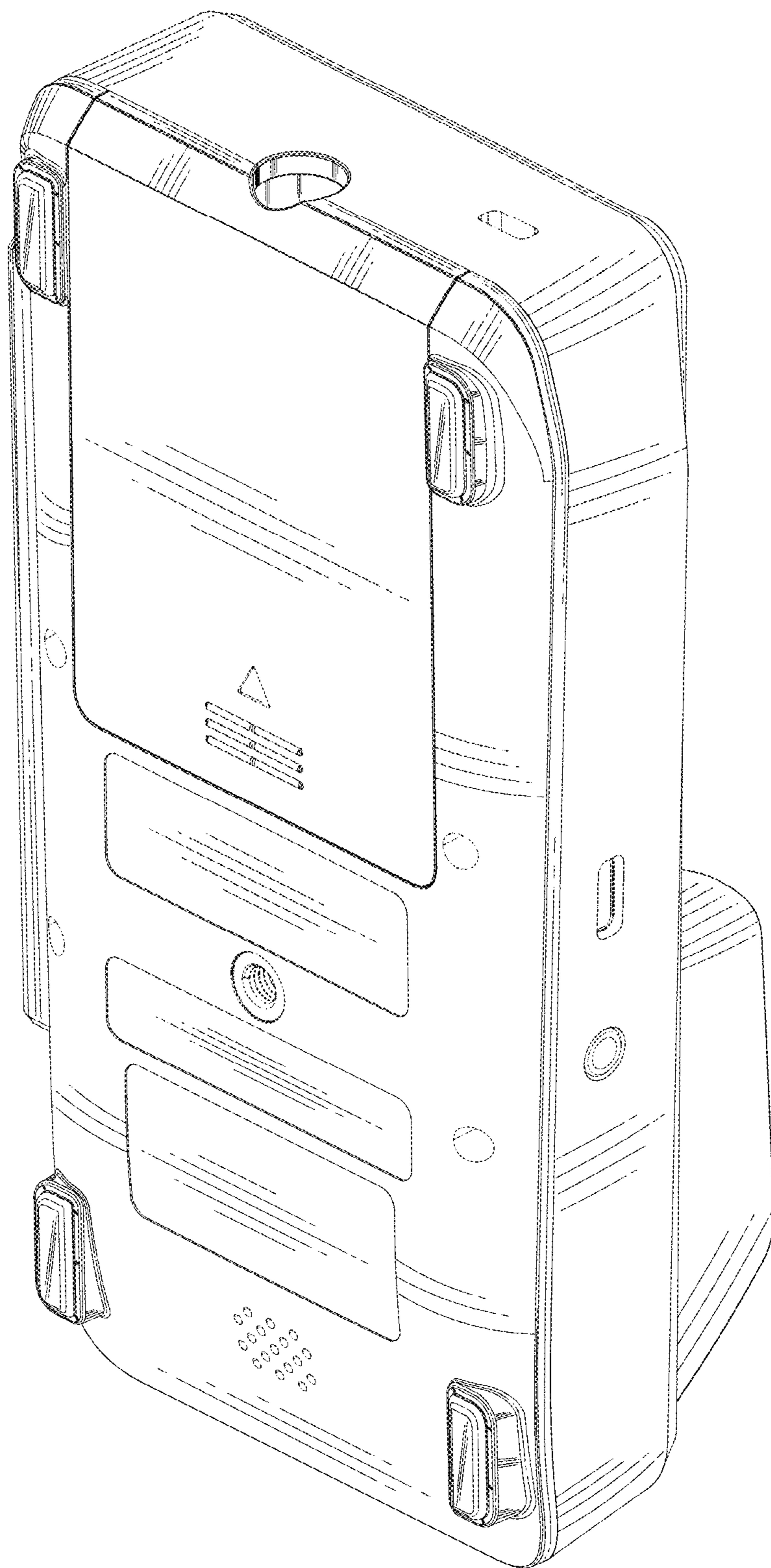


FIG. 2

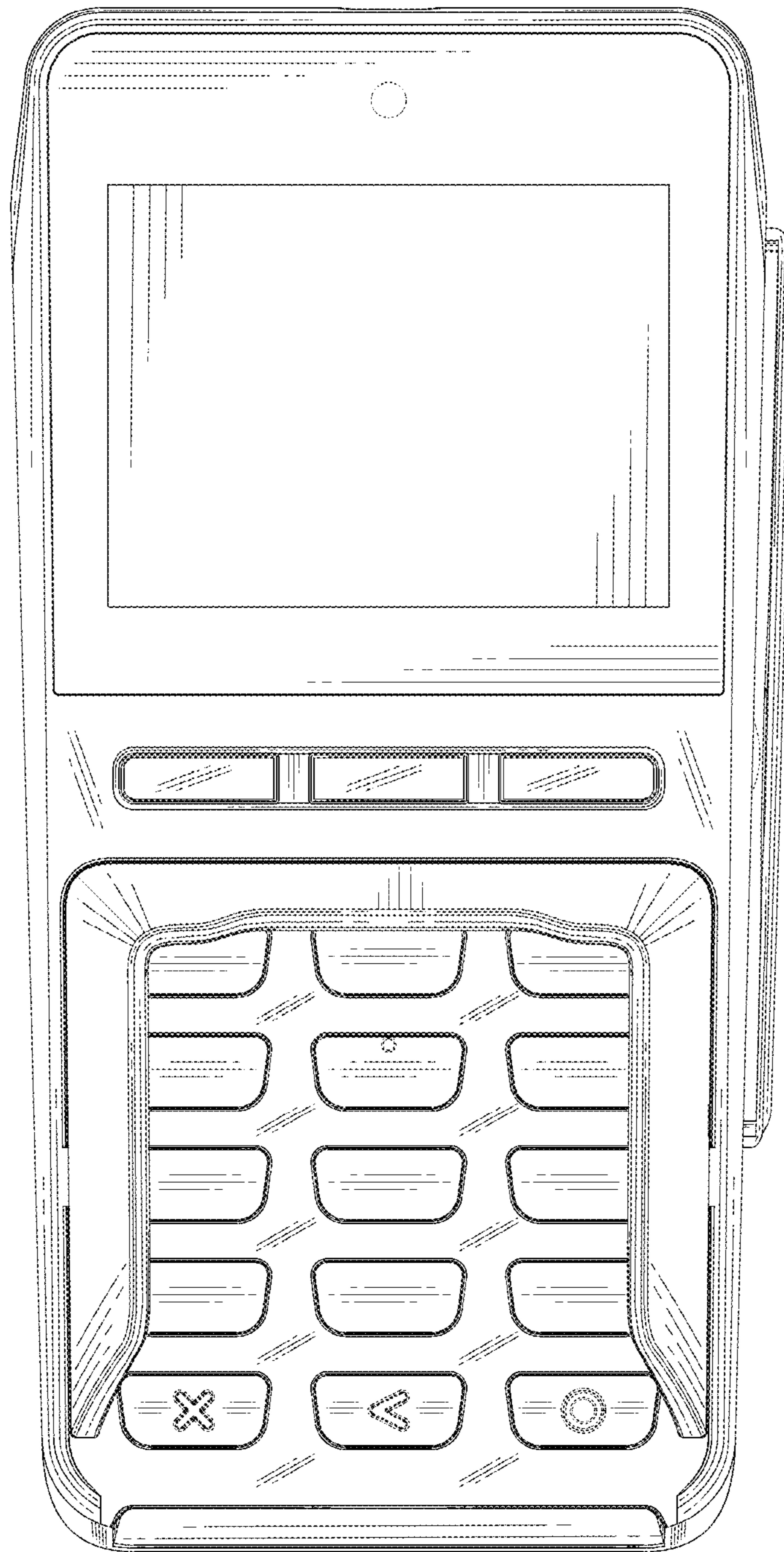


FIG. 3

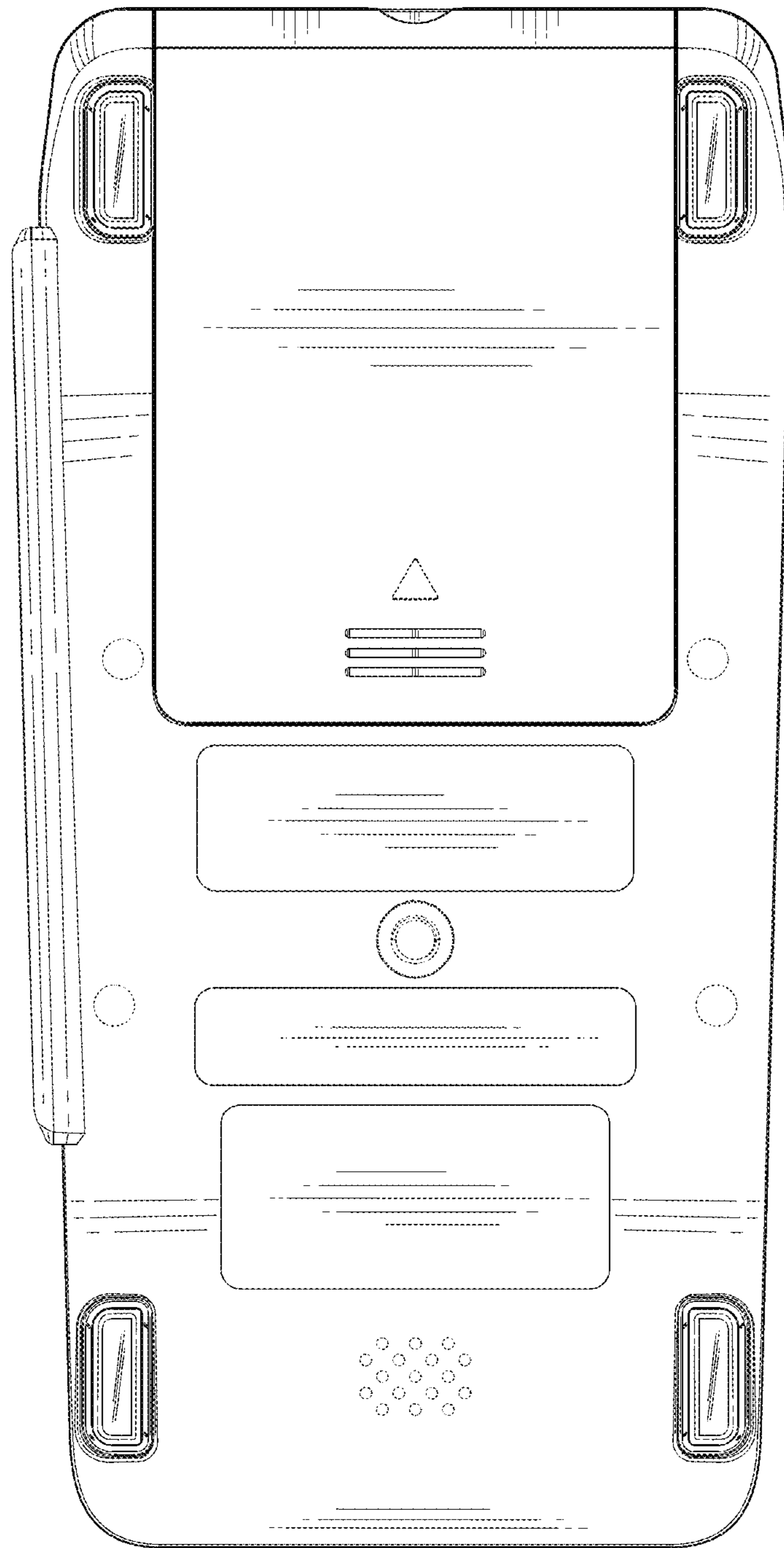


FIG. 4

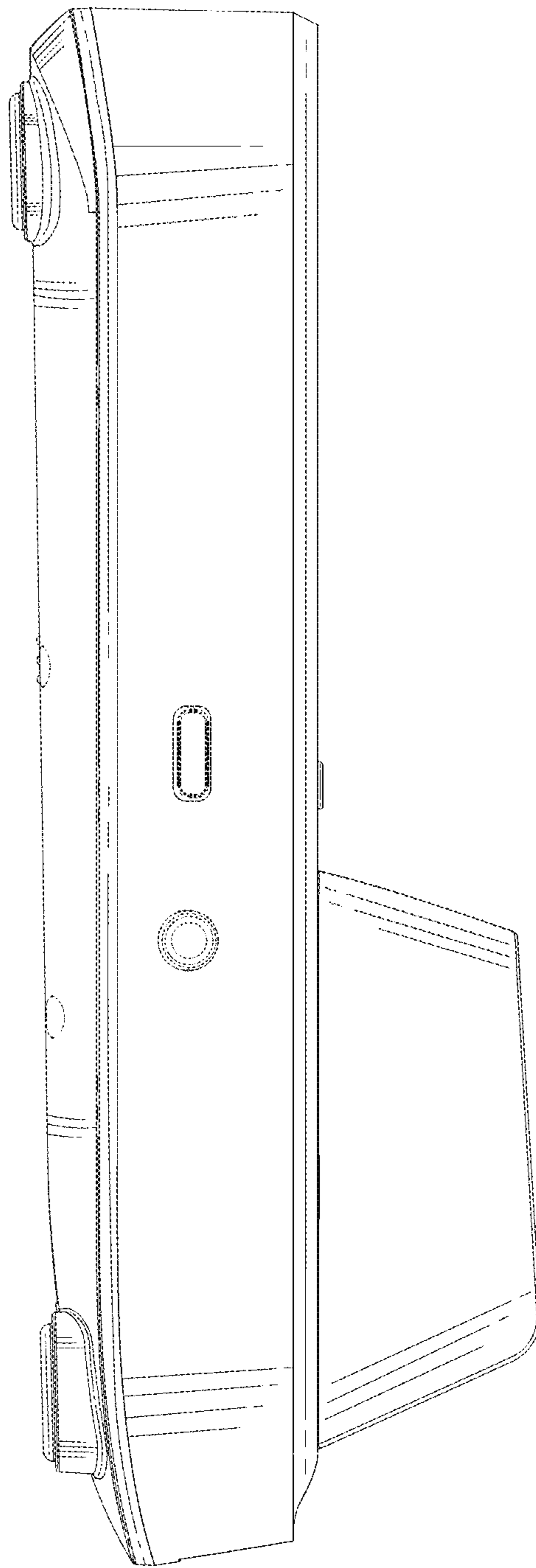


FIG. 5

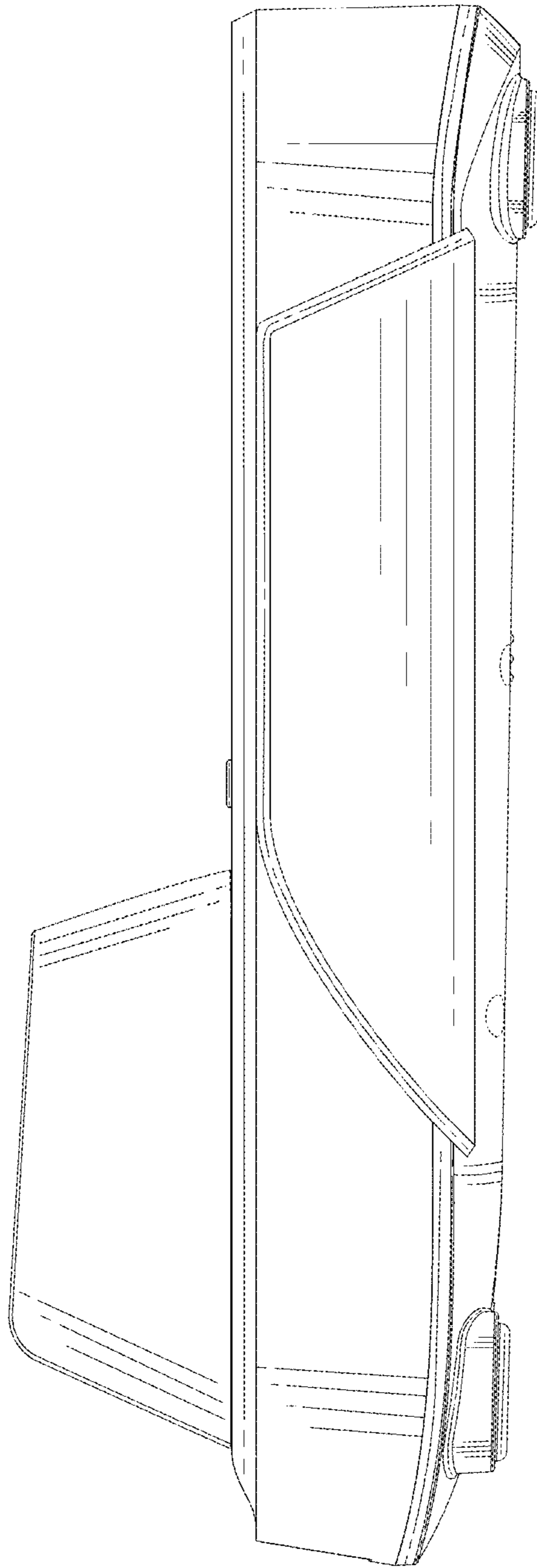


FIG. 6

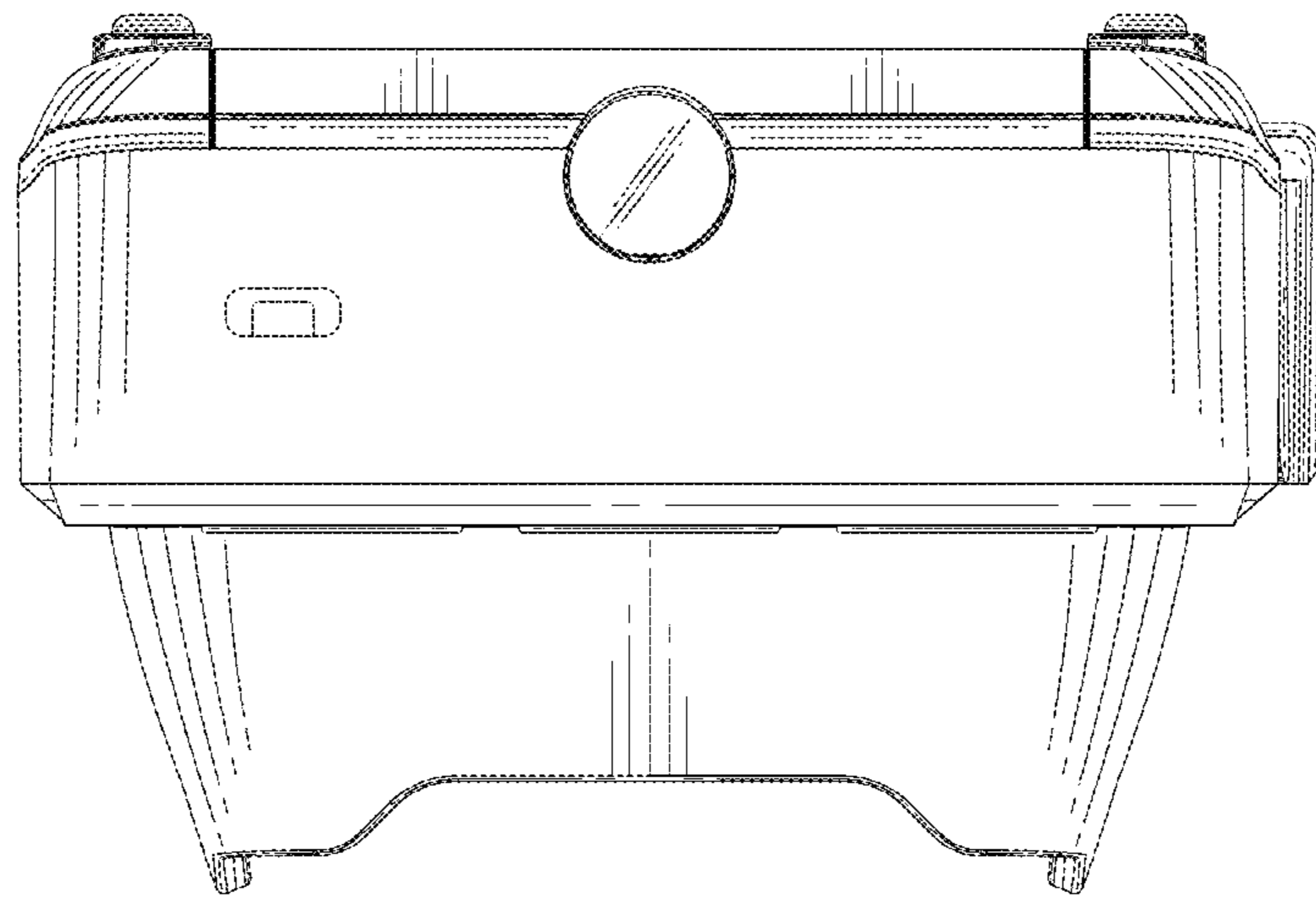


FIG. 7

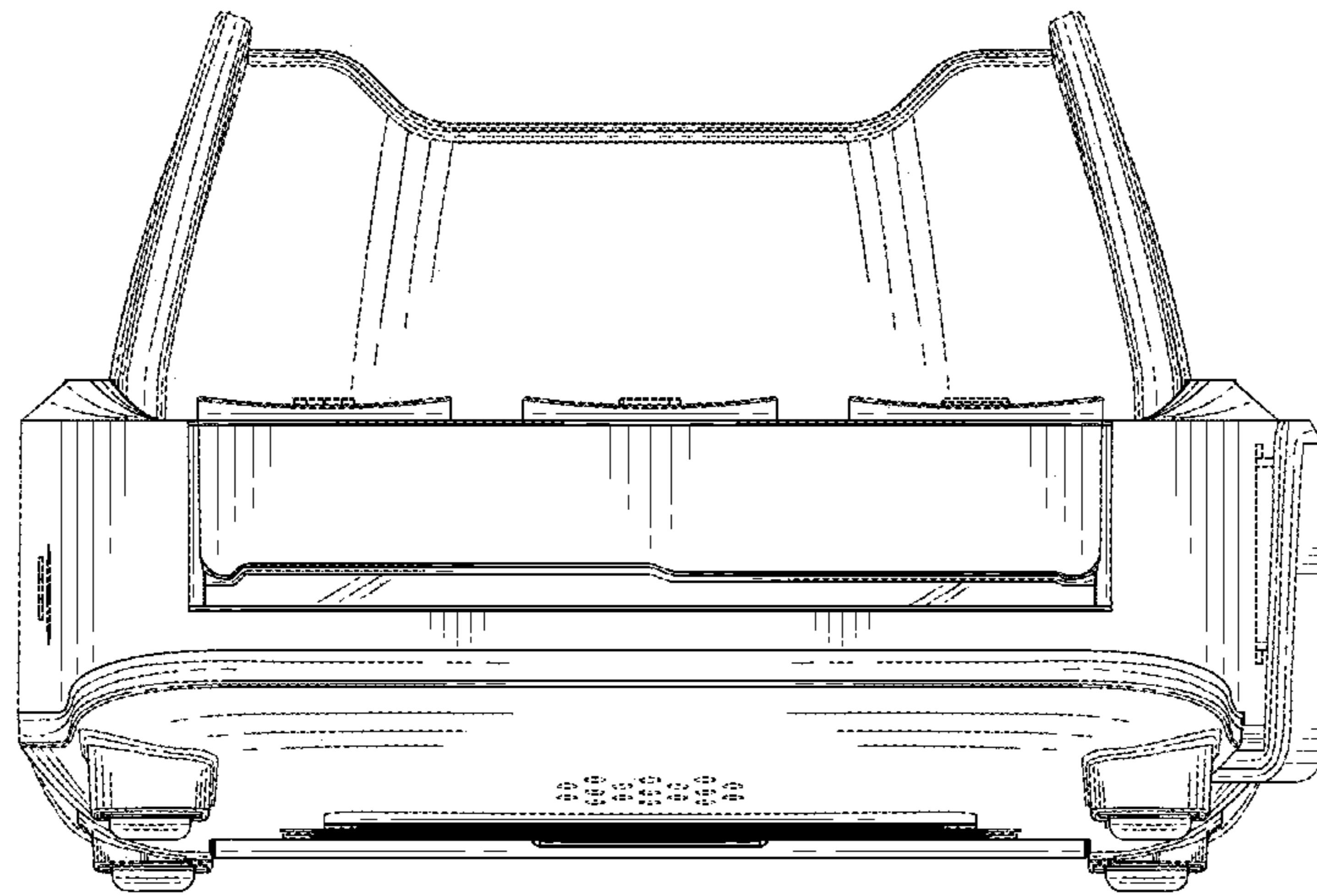


FIG. 8