



US00D915499S

(12) **United States Design Patent** (10) **Patent No.:** **US D915,499 S**  
**Young et al.** (45) **Date of Patent:** **\*\* Apr. 6, 2021**

- (54) **GOGGLES**
- (71) Applicant: **100% SPEEDLAB, LLC**, San Diego, CA (US)
- (72) Inventors: **Michael D. Young**, San Diego, CA (US); **Jerome Jacques Marie Mage**, San Diego, CA (US); **Marc Blanchard**, San Diego, CA (US); **Dennis C. Tan**, San Diego, CA (US)
- (73) Assignee: **100% Speedlab, LLC**, San Diego, CA (US)

- D273,819 S 5/1984 Yehl  
 4,689,838 A 9/1987 Angermann et al.  
 4,707,089 A 11/1987 Danloup et al.  
 4,748,697 A 6/1988 Hodnett  
 4,755,040 A 7/1988 Haslbeck  
 4,848,893 A 7/1989 Grendol  
 5,033,128 A 7/1991 Torres  
 5,163,185 A 11/1992 Hodnett  
 5,220,689 A 6/1993 Miller  
 5,379,464 A 1/1995 Schleger et al.  
 5,523,805 A 6/1996 Kuipers et al.  
 5,526,068 A 6/1996 Markovitz  
 5,617,588 A 4/1997 Canavan et al.

(Continued)

(\*\*) Term: **15 Years**

(21) Appl. No.: **29/687,385**

(22) Filed: **Apr. 12, 2019**

(51) **LOC (13) Cl.** ..... **16-06**

(52) **U.S. Cl.**  
USPC ..... **D16/330**

(58) **Field of Classification Search**  
USPC ..... D16/100, 101, 300, 305-329, 330,  
D16/332-342; D29/106, 107, 110;  
D24/110.2

CPC .. A61F 9/02; A61F 9/026; A61F 9/027; A61F 9/028

See application file for complete search history.

(56) **References Cited**

U.S. PATENT DOCUMENTS

- 1,785,929 A 12/1930 Bouchard  
 2,384,867 A 9/1945 Williams  
 2,519,561 A 8/1950 Gillman et al.  
 3,702,607 A 11/1972 Tucker et al.  
 3,718,937 A 3/1973 Smith  
 3,945,044 A 3/1976 McGee et al.  
 4,271,538 A 6/1981 Montesi et al.  
 4,427,271 A 1/1984 Fogg  
 4,428,081 A 1/1984 Smith

FOREIGN PATENT DOCUMENTS

- EP 1171064 1/2002  
 EP 002575290-0001 2/2015

(Continued)

*Primary Examiner* — Cathron C Brooks

*Assistant Examiner* — Sharon S Oum

(74) *Attorney, Agent, or Firm* — Kolitch Romano LLP

(57) **CLAIM**

The ornamental design for goggles, as shown and described.

**DESCRIPTION**

FIG. 1 is a front, left and top perspective view of goggles showing the new design;

FIG. 2 is a front elevational view thereof;

FIG. 3 is a rear elevational view thereof;

FIG. 4 is a right side elevational view thereof;

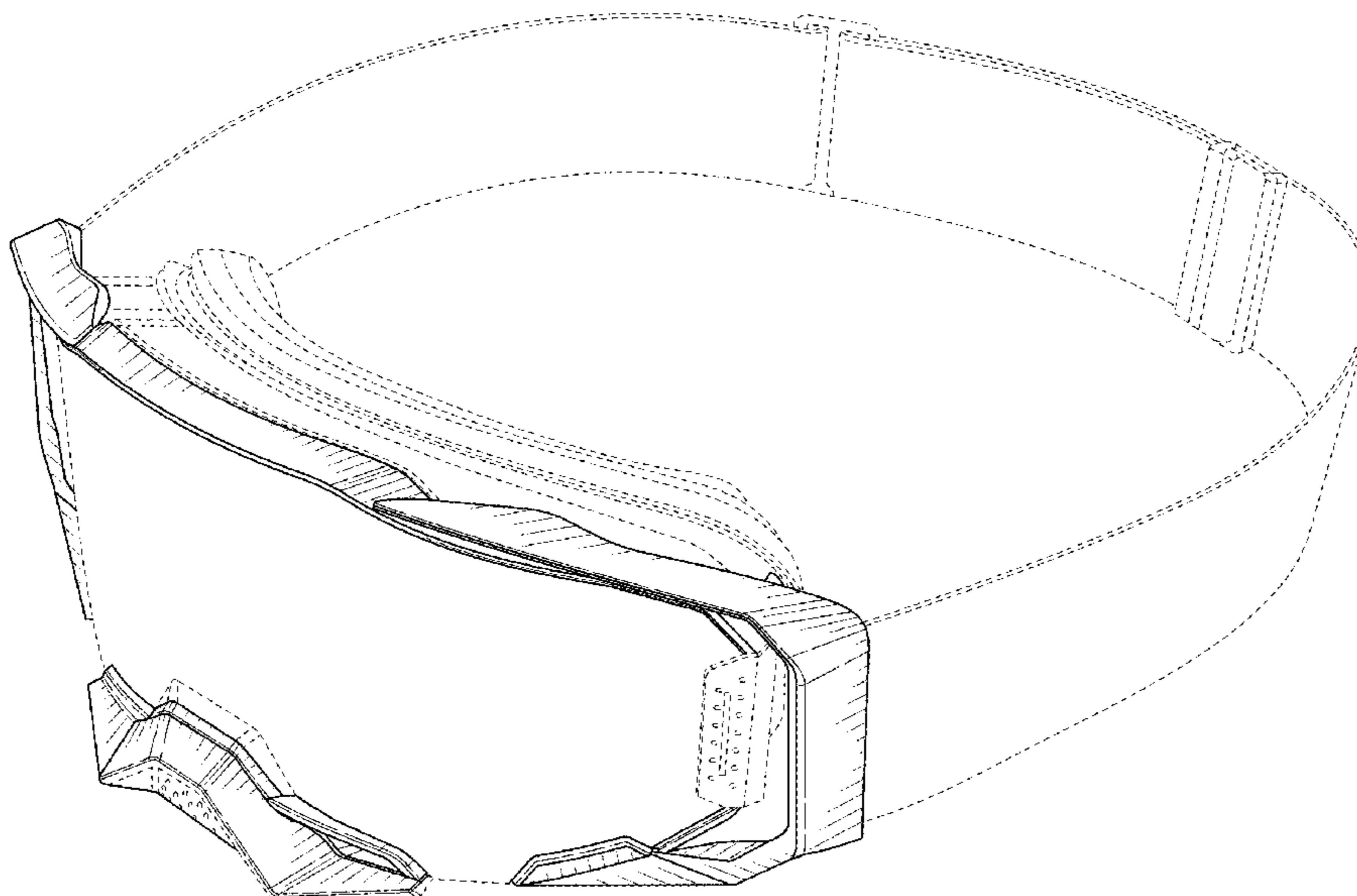
FIG. 5 is a left side elevational view thereof;

FIG. 6 is a top plan view thereof; and,

FIG. 7 is a bottom plan view thereof.

The broken lines in the figures are shown for the purpose of illustrating portions of the goggles that form no part of the claimed design.

**1 Claim, 5 Drawing Sheets**



(56)

References Cited

U.S. PATENT DOCUMENTS

5,697,100 A 12/1997 Horowitz et al.  
 5,913,416 A 6/1999 Rothan  
 5,966,745 A 10/1999 Schwartz et al.  
 6,009,564 A 1/2000 Tackles et al.  
 6,145,133 A 11/2000 Sato et al.  
 6,196,681 B1 3/2001 Canavan  
 6,206,521 B1 3/2001 Kindschuh  
 6,415,452 B1 7/2002 Watanabe et al.  
 6,416,177 B1 7/2002 Gibson  
 6,899,427 B1 5/2005 Sheldon  
 6,904,619 B2 6/2005 Kuo  
 D519,147 S 4/2006 Moritz et al.  
 D523,889 S 6/2006 Chen  
 D524,352 S 7/2006 Hsu  
 7,114,807 B2 10/2006 Tagawa  
 D538,834 S \* 3/2007 Mangum ..... D16/312  
 7,188,947 B1 3/2007 Chen  
 7,200,875 B2 4/2007 Dondero  
 D544,900 S \* 6/2007 Li ..... D16/312  
 7,343,631 B2 3/2008 Lin  
 7,404,217 B2 7/2008 Polinelil et al.  
 D577,054 S 9/2008 Moritz  
 D598,040 S \* 8/2009 Sheldon ..... D16/312  
 7,641,333 B2 1/2010 Blanshay et al.  
 D616,483 S 5/2010 Moritz  
 D616,915 S \* 6/2010 Silveria ..... D16/312  
 D620,969 S \* 8/2010 Cyr ..... D16/312  
 7,810,174 B2 10/2010 Matera  
 7,866,812 B1 1/2011 Tullis  
 D640,724 S 6/2011 Goodman et al.  
 D649,178 S 11/2011 Moritz et al.  
 8,083,344 B2 \* 12/2011 Blanshay ..... G02C 9/00  
 2/436  
 D657,812 S \* 4/2012 Li ..... D16/312  
 D663,763 S \* 7/2012 Inui ..... D16/312  
 D669,113 S \* 10/2012 Sandor ..... D16/309  
 8,356,895 B2 1/2013 Jackson et al.  
 D694,806 S \* 12/2013 Mage ..... D16/312  
 8,641,188 B2 2/2014 DiChiara  
 D711,960 S 8/2014 Mage et al.  
 D727,398 S 4/2015 Blanchard et al.  
 D727,400 S \* 4/2015 Blanchard ..... D16/314  
 D736,303 S \* 8/2015 Yu ..... D16/309  
 9,241,527 B2 1/2016 Croteau et al.  
 D756,445 S 5/2016 Blanchard et al.

D765,758 S \* 9/2016 Li ..... D16/312  
 D765,759 S \* 9/2016 Li ..... D16/312  
 D774,588 S \* 12/2016 Li ..... D16/312  
 D800,825 S \* 10/2017 Frosi ..... D16/313  
 9,782,296 B2 10/2017 Pengfei et al.  
 10,012,846 B1 7/2018 Santinelli  
 D828,866 S \* 9/2018 Yoo ..... D16/313  
 10,123,907 B2 11/2018 Sigismondo et al.  
 10,357,400 B2 \* 7/2019 Ginther ..... A61F 9/02  
 D860,302 S \* 9/2019 Boinnard ..... D16/315  
 D862,570 S \* 10/2019 Frosi ..... D16/313  
 D873,900 S \* 1/2020 Hedayat ..... D16/312  
 D880,574 S \* 4/2020 Liang ..... D16/312  
 2001/0029623 A1 10/2001 Tsubooka  
 2002/0166158 A1 11/2002 Chiang  
 2003/0140403 A1 7/2003 Chou  
 2004/0111779 A1 6/2004 Gagnon et al.  
 2005/0206841 A1 9/2005 Saderholm et al.  
 2009/0119823 A1 5/2009 Lee  
 2009/0229044 A1 9/2009 Gill  
 2010/0033671 A1 2/2010 Campo  
 2011/0083256 A1 4/2011 Wang-Lee  
 2012/0023647 A1 2/2012 Park  
 2012/0038879 A1 2/2012 Reyes et al.  
 2012/0137414 A1 6/2012 Saylor  
 2012/0291186 A1 11/2012 Cheng  
 2013/0014316 A1 1/2013 Castro et al.  
 2013/0104299 A1 5/2013 Chen  
 2014/0115761 A1 5/2014 McNeal et al.  
 2014/0157496 A1 6/2014 Ginther et al.  
 2015/0067952 A1 3/2015 Kulik  
 2015/0202086 A1 7/2015 Tzu-Feng  
 2015/0202087 A1 \* 7/2015 Chen ..... A61F 9/026  
 2/431  
 2015/0272784 A1 10/2015 Padovani  
 2015/0320600 A1 11/2015 Blanchard et al.  
 2017/0100287 A1 \* 4/2017 Calilung ..... A61F 9/026  
 2018/0042773 A1 2/2018 Boinnard  
 2019/0083315 A1 3/2019 Sigismondo et al.

FOREIGN PATENT DOCUMENTS

GB 2378412 2/2003  
 GB 2495984 5/2013  
 WO WO 1997/035224 9/1997  
 WO WO 2008/0115729 9/2008

\* cited by examiner

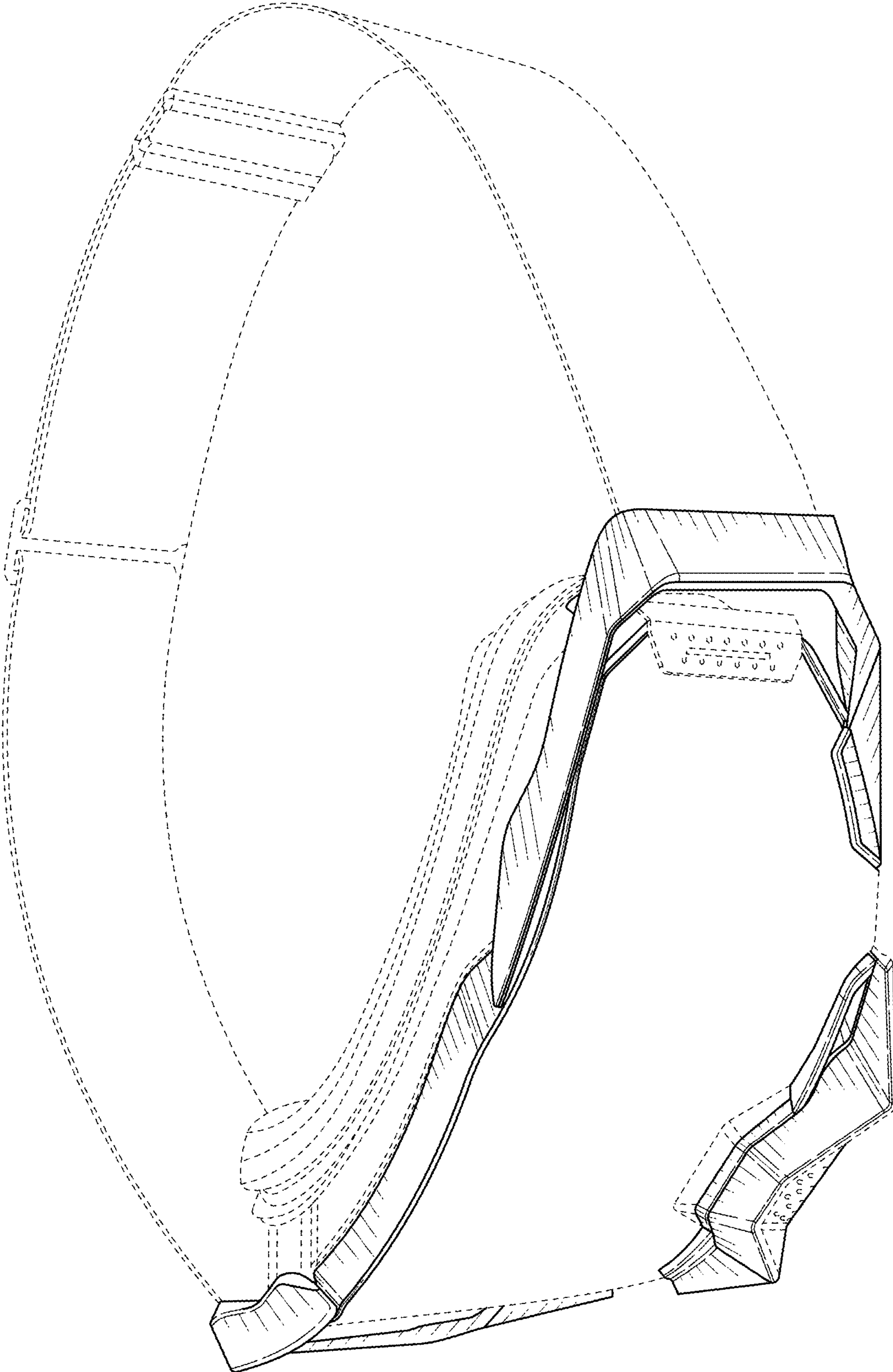


FIG. 1



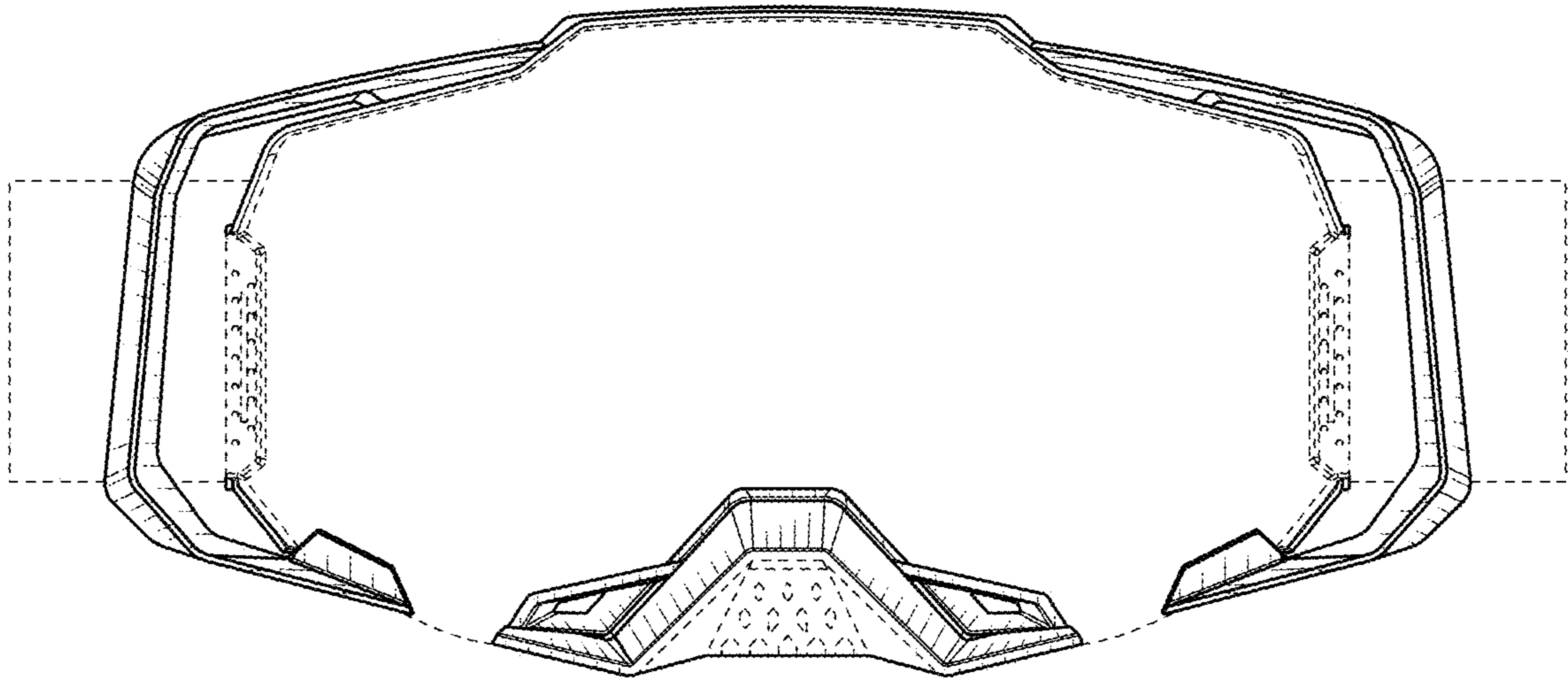


FIG. 2

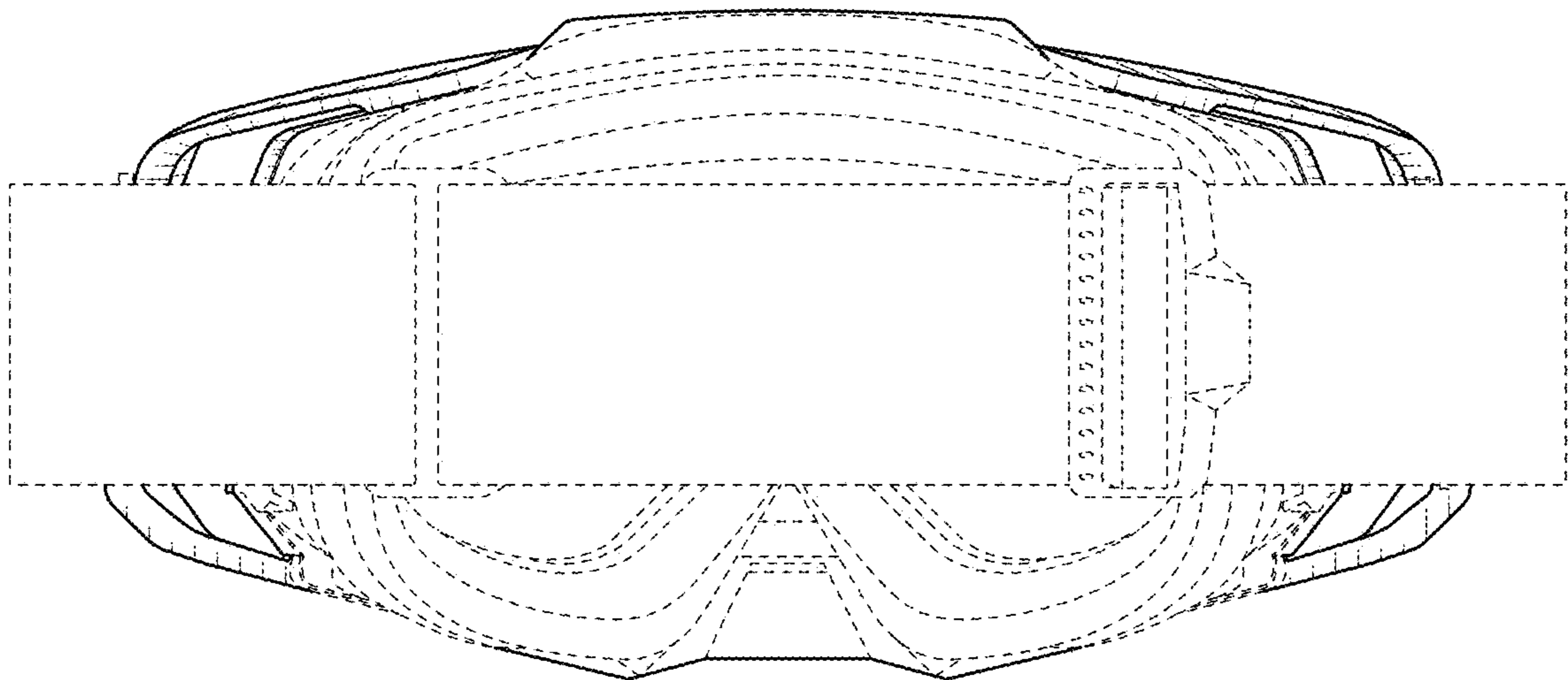


FIG. 3

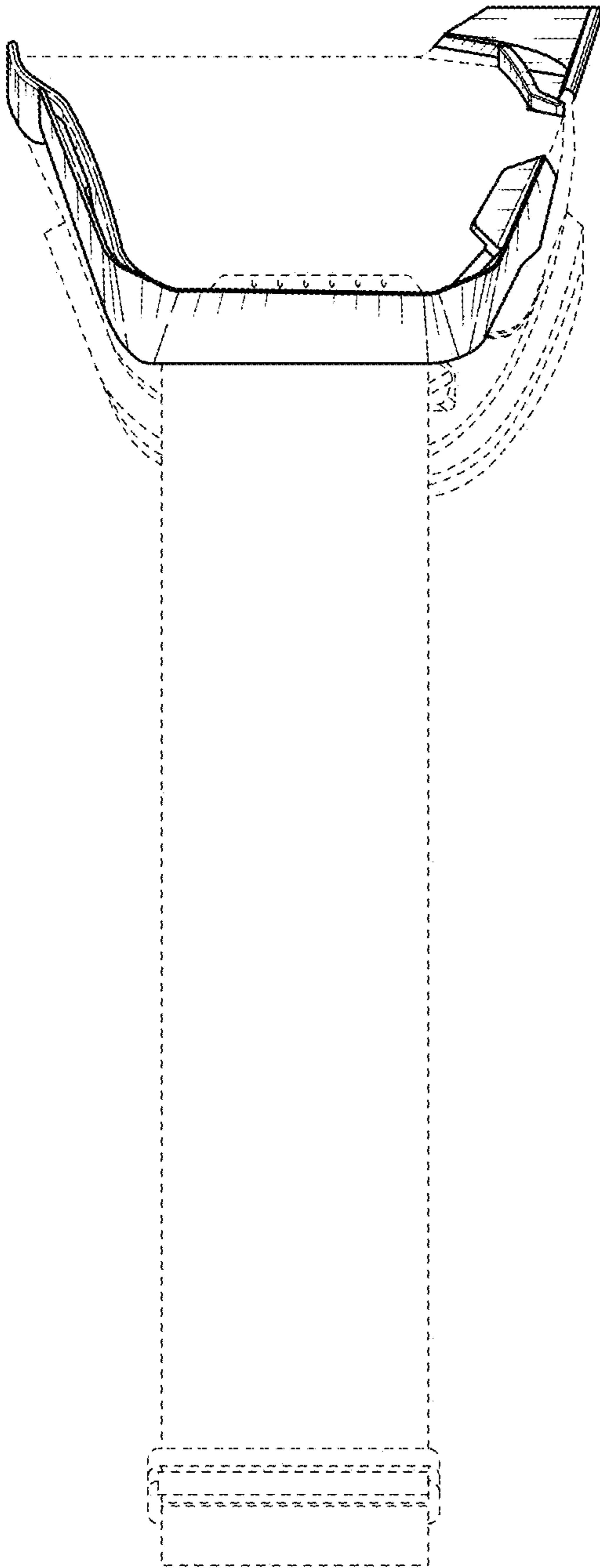


FIG. 4

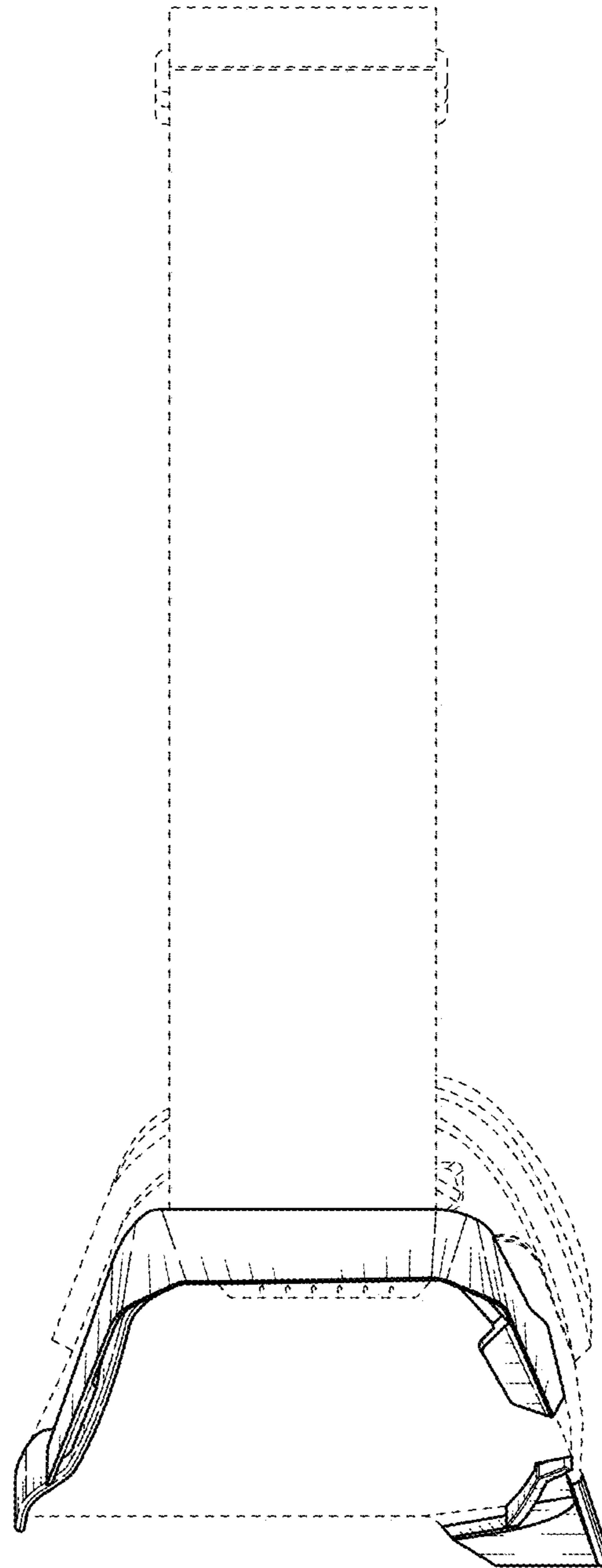


FIG. 5

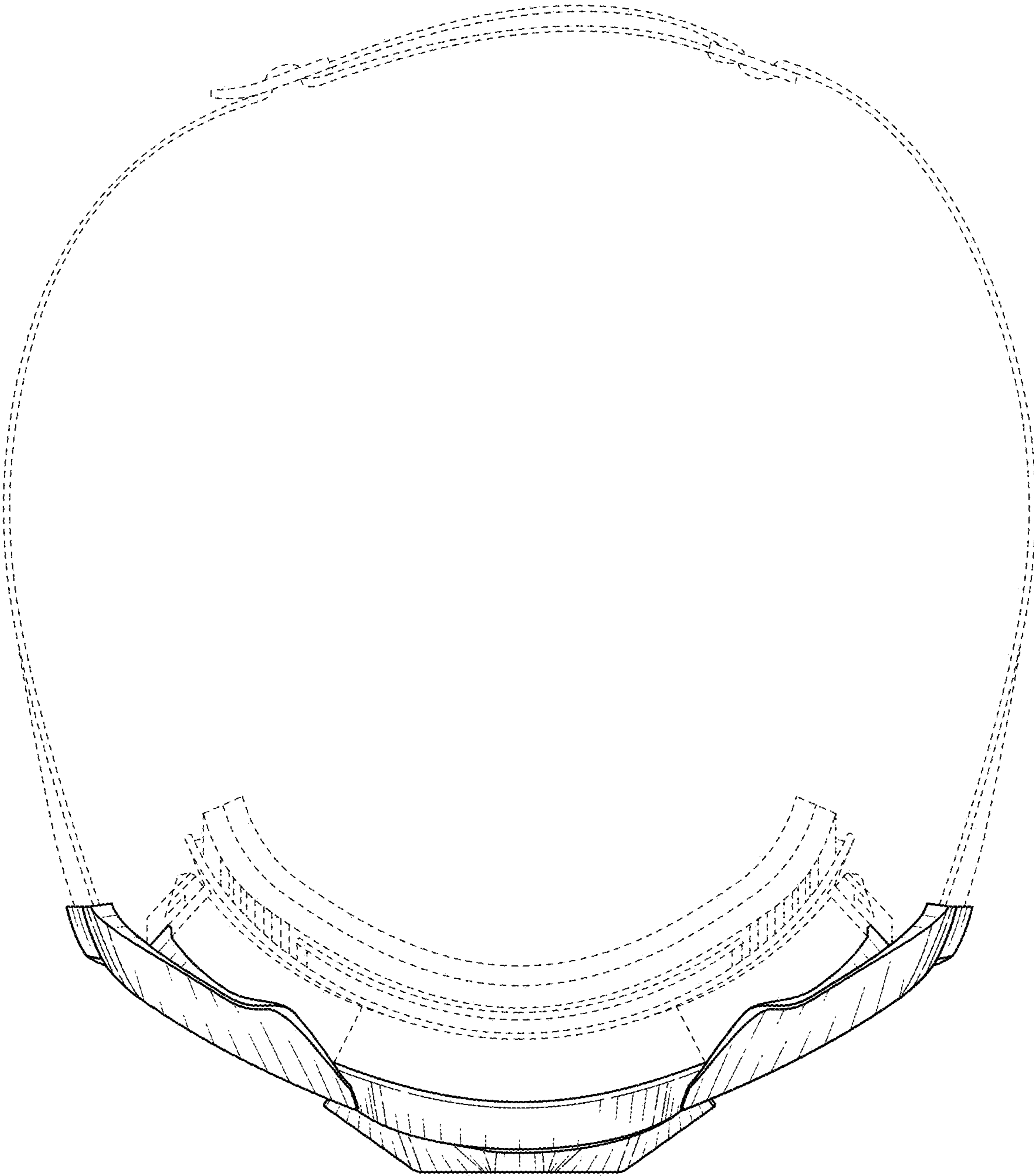


FIG. 6

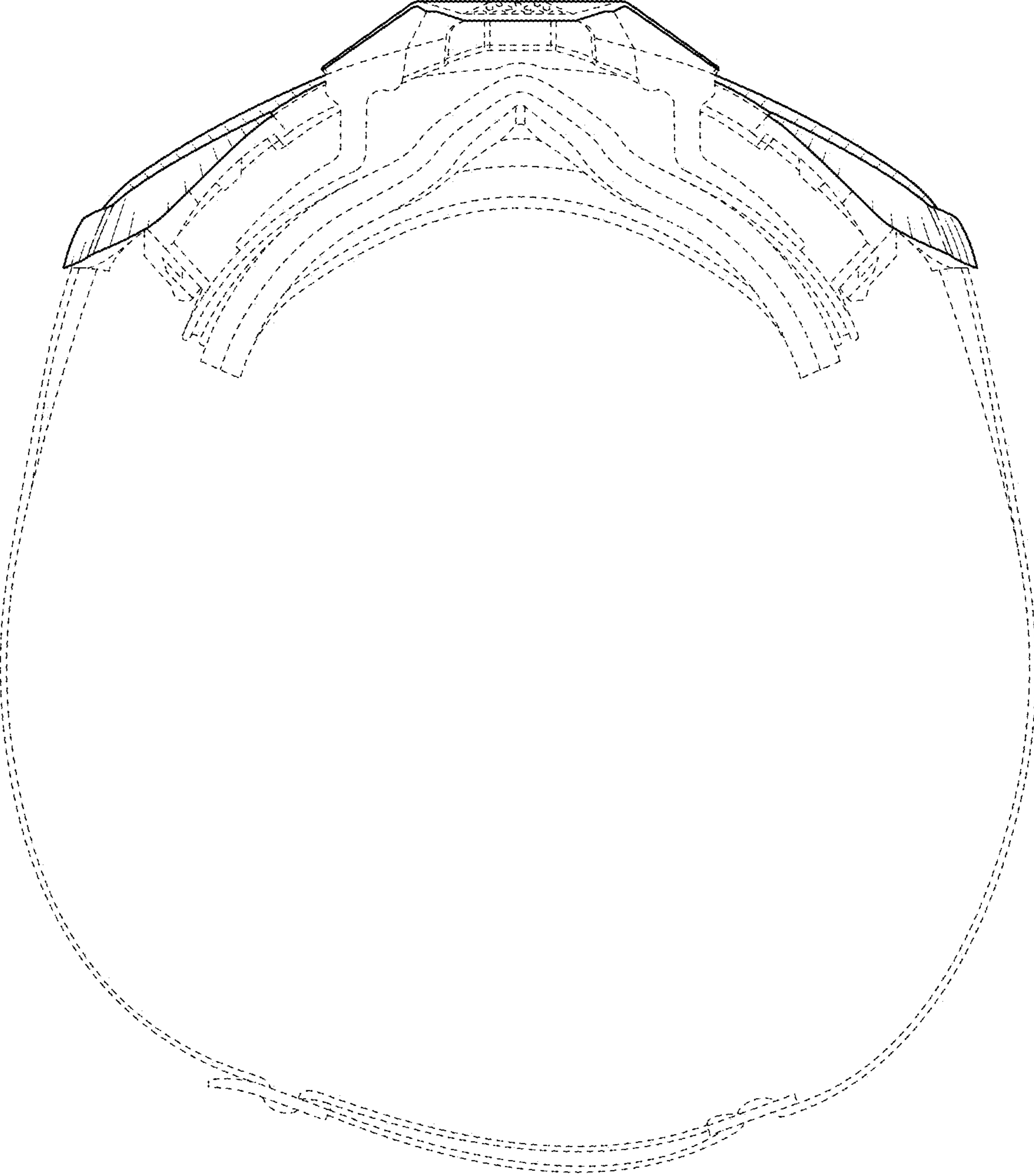


FIG. 7