



US00D915495S

(12) **United States Design Patent** (10) **Patent No.:** **US D915,495 S**
Zeng (45) **Date of Patent:** **** Apr. 6, 2021**

(54) **TRIPOD**

(71) Applicant: **Zhongshan Cambofoto Photographic Equipment Co., Ltd., Zhongshan (CN)**

(72) Inventor: **Xianhui Zeng, Ganzhou (CN)**

(**) Term: **15 Years**

(21) Appl. No.: **29/717,520**

(22) Filed: **Dec. 18, 2019**

(51) **LOC (13) Cl.** **16-05**

(52) **U.S. Cl.**
USPC **D16/244**

(58) **Field of Classification Search**
USPC D16/219, 237-250; D8/354, 355, 363, D8/373, 382-383, 394-396; D14/224, D14/229, 238, 251, 253, 447, 451, 457
CPC F16M 11/06-10; F16M 11/14; G02B 7/00-002; G03B 17/561-566; H04N 5/2253-2254

See application file for complete search history.

(56) **References Cited**

U.S. PATENT DOCUMENTS

| | | | | | |
|------------|------|---------|-------------|-------|-------------|
| 3,064,932 | A * | 11/1962 | Holderman | | F16M 11/245 |
| | | | | | 248/171 |
| D326,105 | S * | 5/1992 | Doi | | D16/244 |
| D339,667 | S * | 9/1993 | Fitzpatrick | | D32/58 |
| D421,447 | S * | 3/2000 | Eason | | D16/244 |
| D450,339 | S * | 11/2001 | Eason | | D16/244 |
| D552,660 | S * | 10/2007 | Lee | | D16/242 |
| D570,618 | S * | 6/2008 | Tai | | D14/229 |
| D632,720 | S * | 2/2011 | Barker | | D16/244 |
| D704,486 | S * | 5/2014 | Cho | | D6/708.25 |
| D720,384 | S * | 12/2014 | Holmen | | D16/244 |
| D723,311 | S * | 3/2015 | Jiang | | D6/681 |
| D805,671 | S * | 12/2017 | Liping | | D26/63 |
| D828,057 | S * | 9/2018 | Yaguchi | | D6/681 |
| 10,139,039 | B1 * | 11/2018 | Reed | | F16M 11/28 |

| | | | | | |
|----------|-----|--------|------|-------|---------|
| D853,613 | S * | 7/2019 | Lien | | D26/63 |
| D887,052 | S * | 6/2020 | Xu | | D26/39 |
| D895,716 | S * | 9/2020 | Chen | | D16/244 |

(Continued)

OTHER PUBLICATIONS

Phone Tripod, SOSIROLO 62" Extendable Selfie Stick Tripod for iPhone, Cell Phone Tripod Stand with Phone Holder, Wireless Remote Shutter, Compatible with iPhone, Android (Black). [online] Retrieved Feb. 3, 2021 from URL: <https://www.amazon.com/SOSIROLO-Extendable-Wireless-Shutter-Compatible/dp/B08NV6MR6G>.*

(Continued)

Primary Examiner — Vy N Koenig
(74) *Attorney, Agent, or Firm* — ZANIP

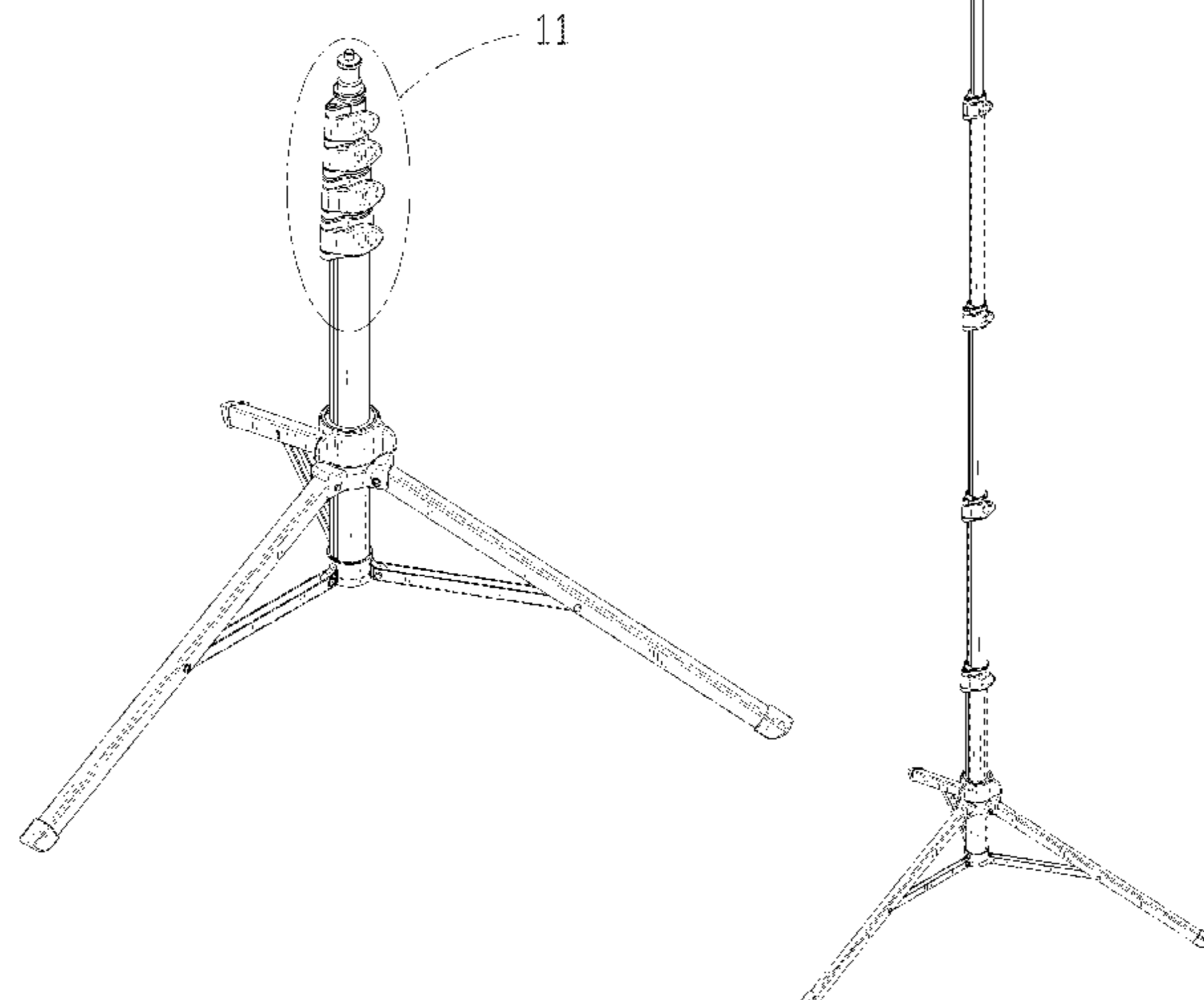
(57) **CLAIM**

The ornamental design for a tripod, as shown and described.

DESCRIPTION

FIG. 1 is a front and top perspective view of a tripod, showing my new design;
FIG. 2 is a rear and bottom perspective view thereof;
FIG. 3 is a front elevational view thereof;
FIG. 4 is a rear elevational view thereof;
FIG. 5 is a left side elevational view thereof;
FIG. 6 is a right side elevational view thereof;
FIG. 7 is a top plan view thereof;
FIG. 8 is a bottom plan view thereof;
FIG. 9 is a perspective view of the tripod when its legs are folded;
FIG. 10 is a perspective view of the tripod when the support rod portion is elongated;
FIG. 11 is an enlarged view of the portion indicated in FIG. 1; and,
FIG. 12 is an enlarged view of the portion indicated in FIG. 2.
The broken lines in the figures illustrate portions of the tripod that form no part of the claimed design.

1 Claim, 12 Drawing Sheets



(56)

References Cited

U.S. PATENT DOCUMENTS

D899,491 S * 10/2020 Chen D16/244
D901,578 S * 11/2020 Wang D16/244
D901,579 S * 11/2020 Wang D16/244
D907,106 S * 1/2021 Li D16/244
2004/0011930 A1 * 1/2004 Tuohy, III F16M 11/245
248/146
2006/0086869 A1 * 4/2006 Hsieh F16M 11/046
248/171

OTHER PUBLICATIONS

New tripod. [online] Retrieved Feb. 11, 21 from URL: https://cambofoto.en.alibaba.com/productgroupelist-814121069/new_tripod.html?spm=a2700.shop_pl.88.21.*

* cited by examiner

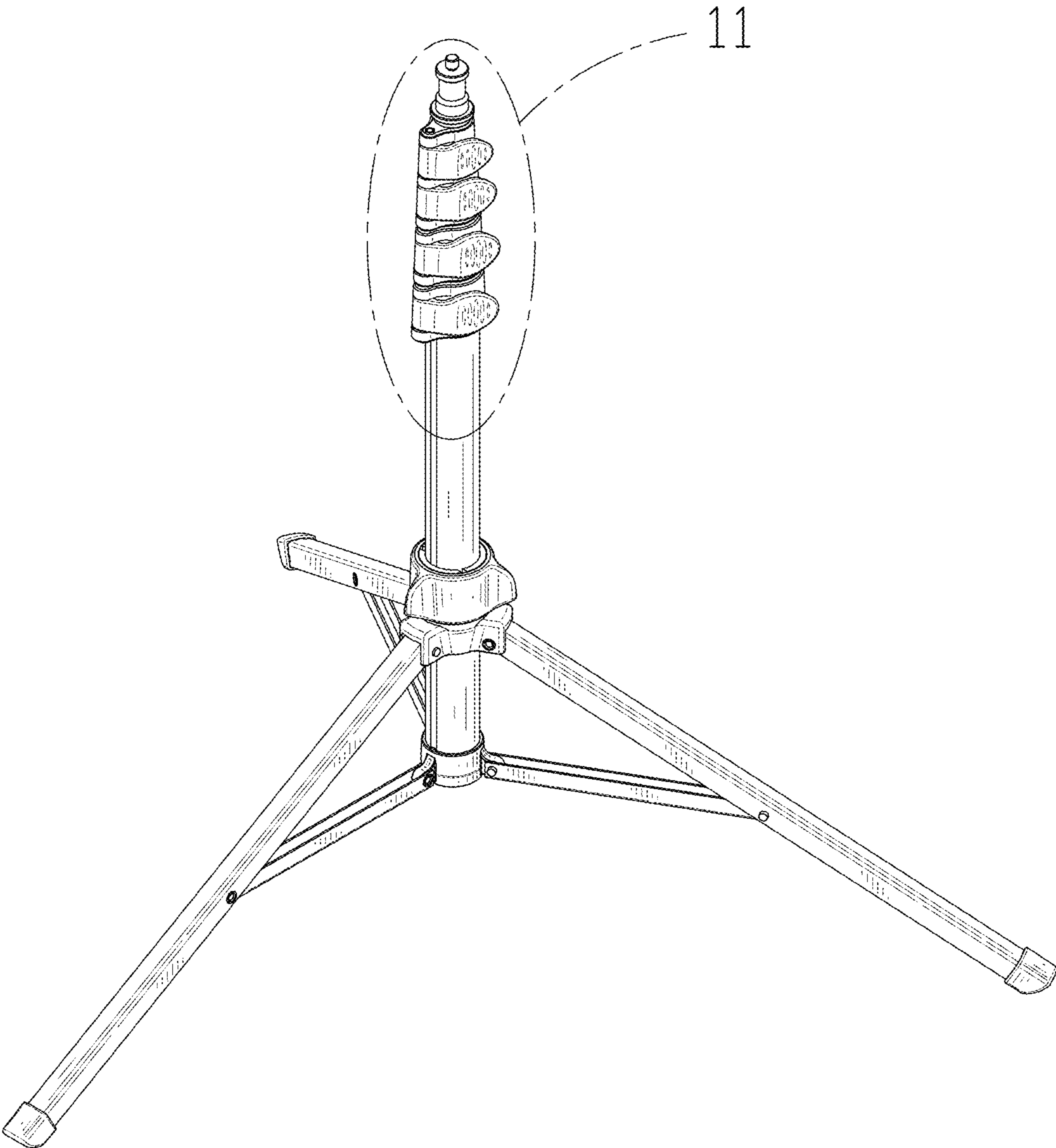


FIG. 1

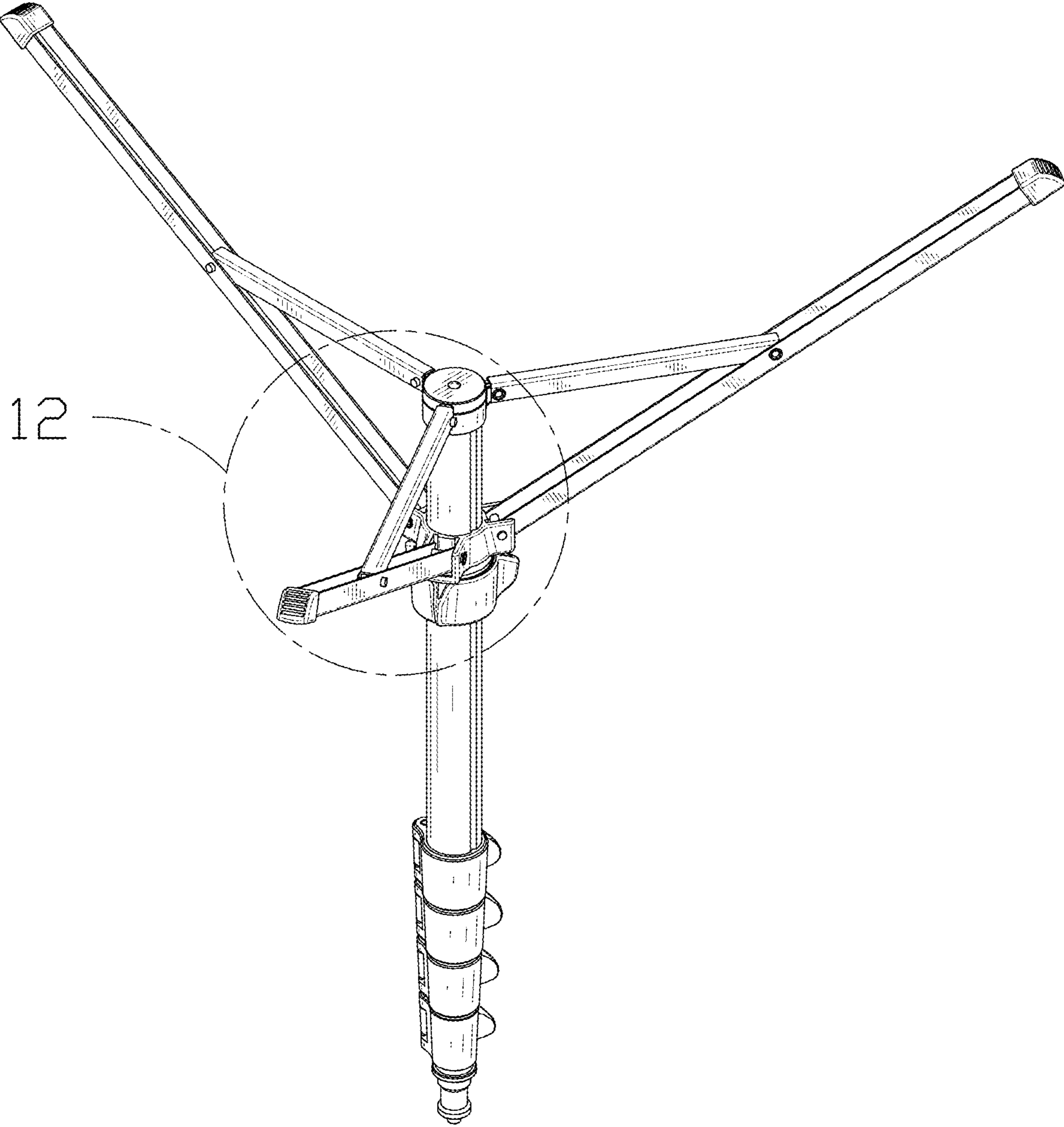


FIG. 2

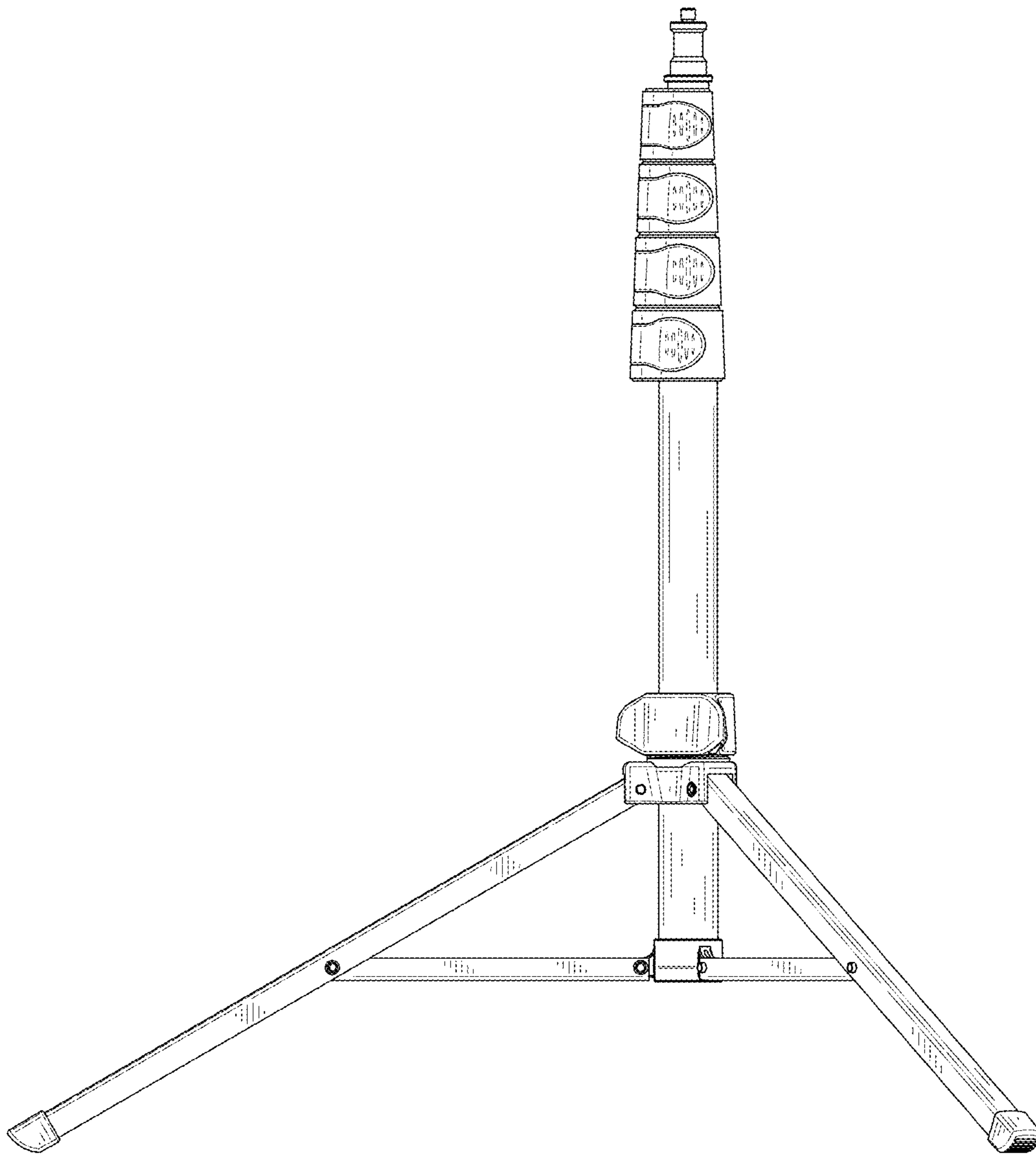


FIG. 3

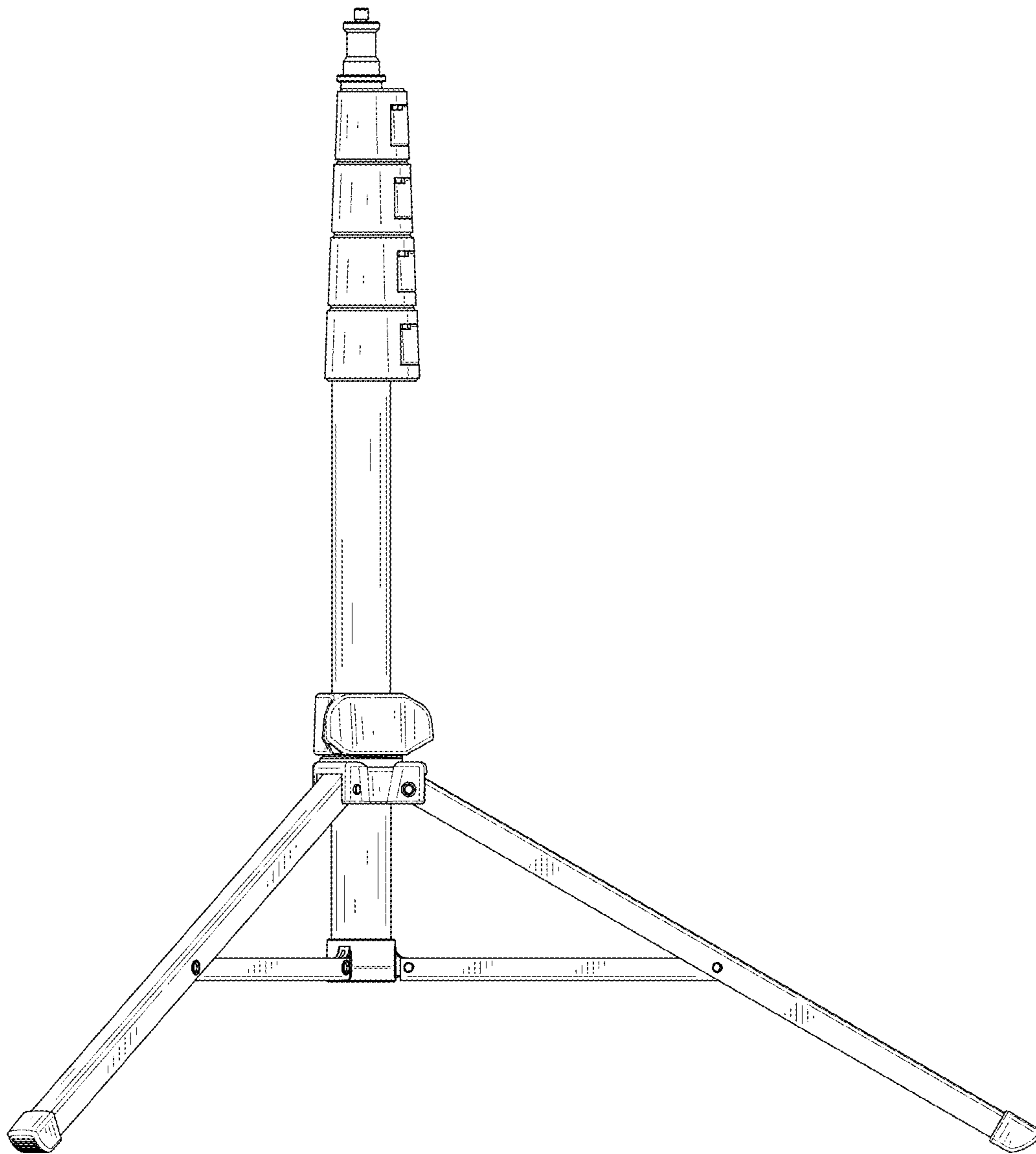


FIG. 4

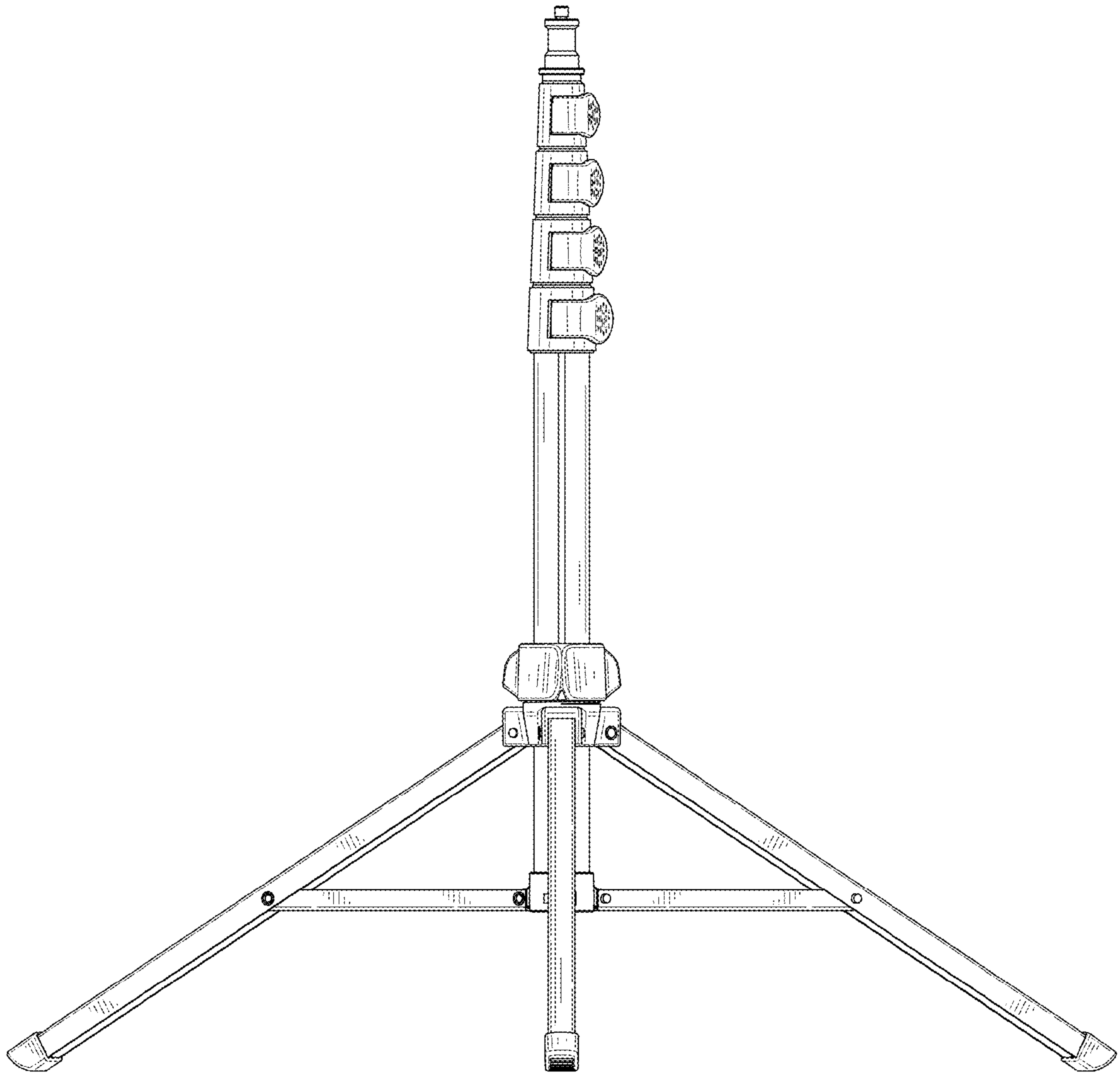


FIG. 5

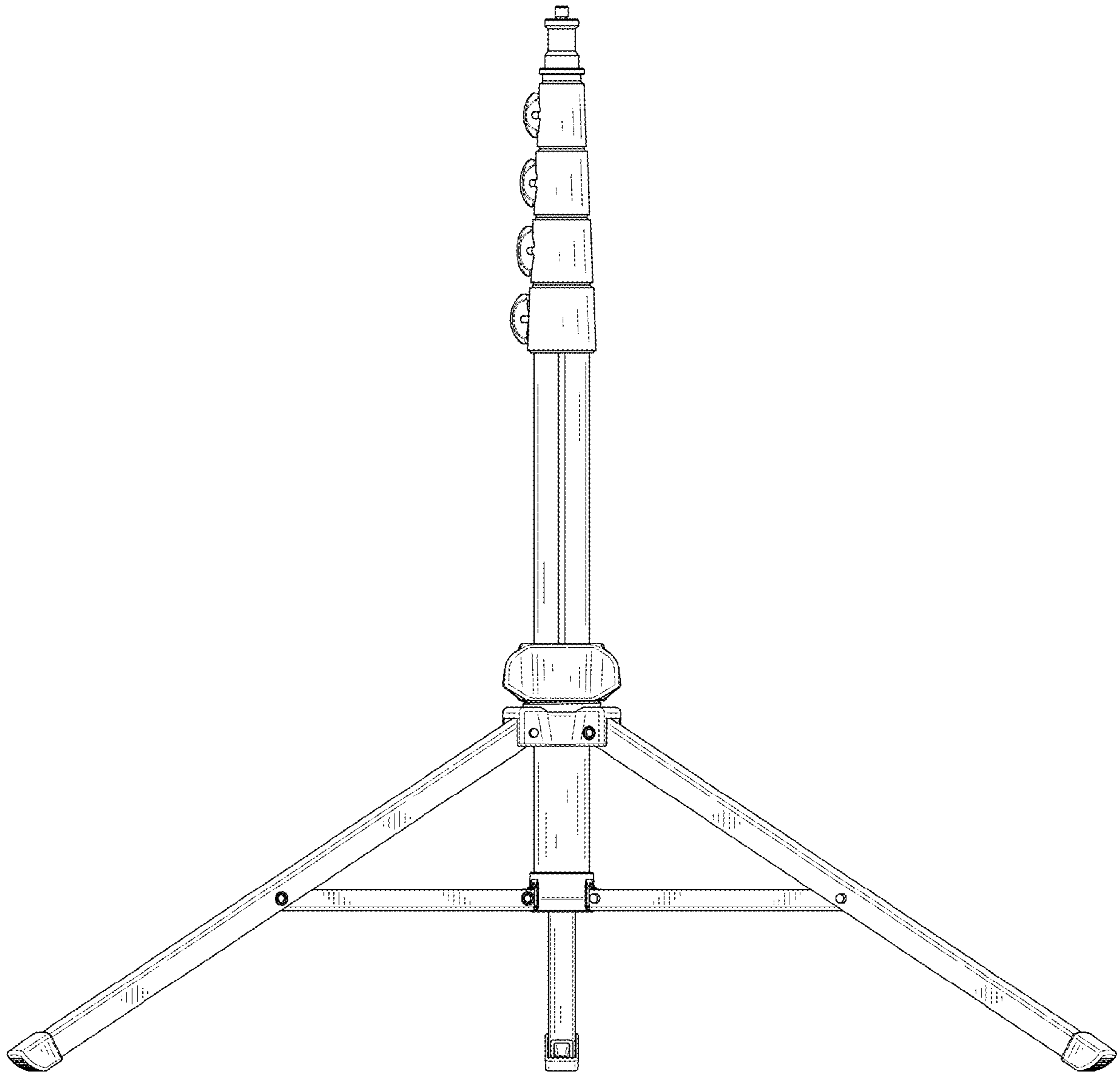


FIG. 6

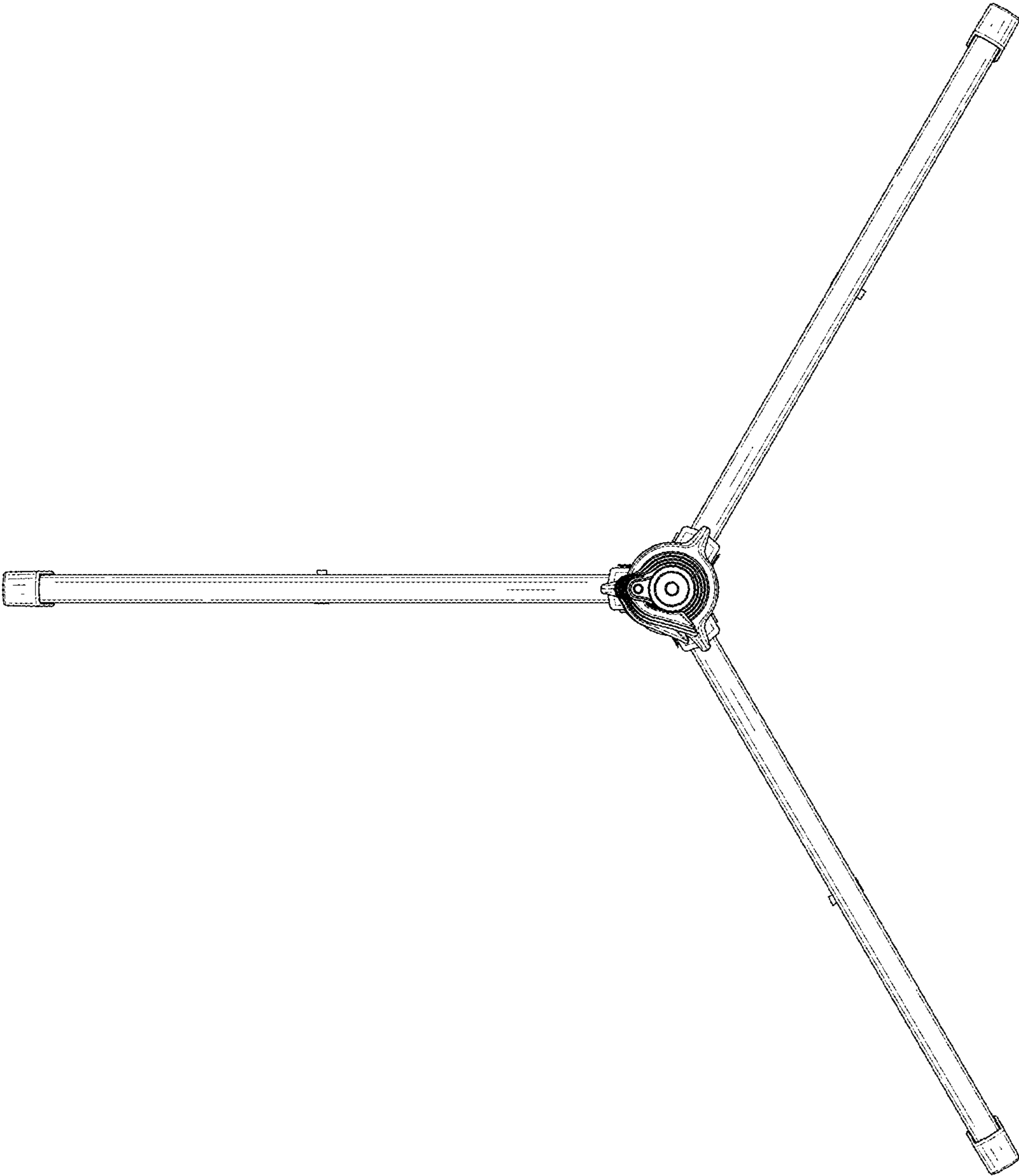


FIG. 7

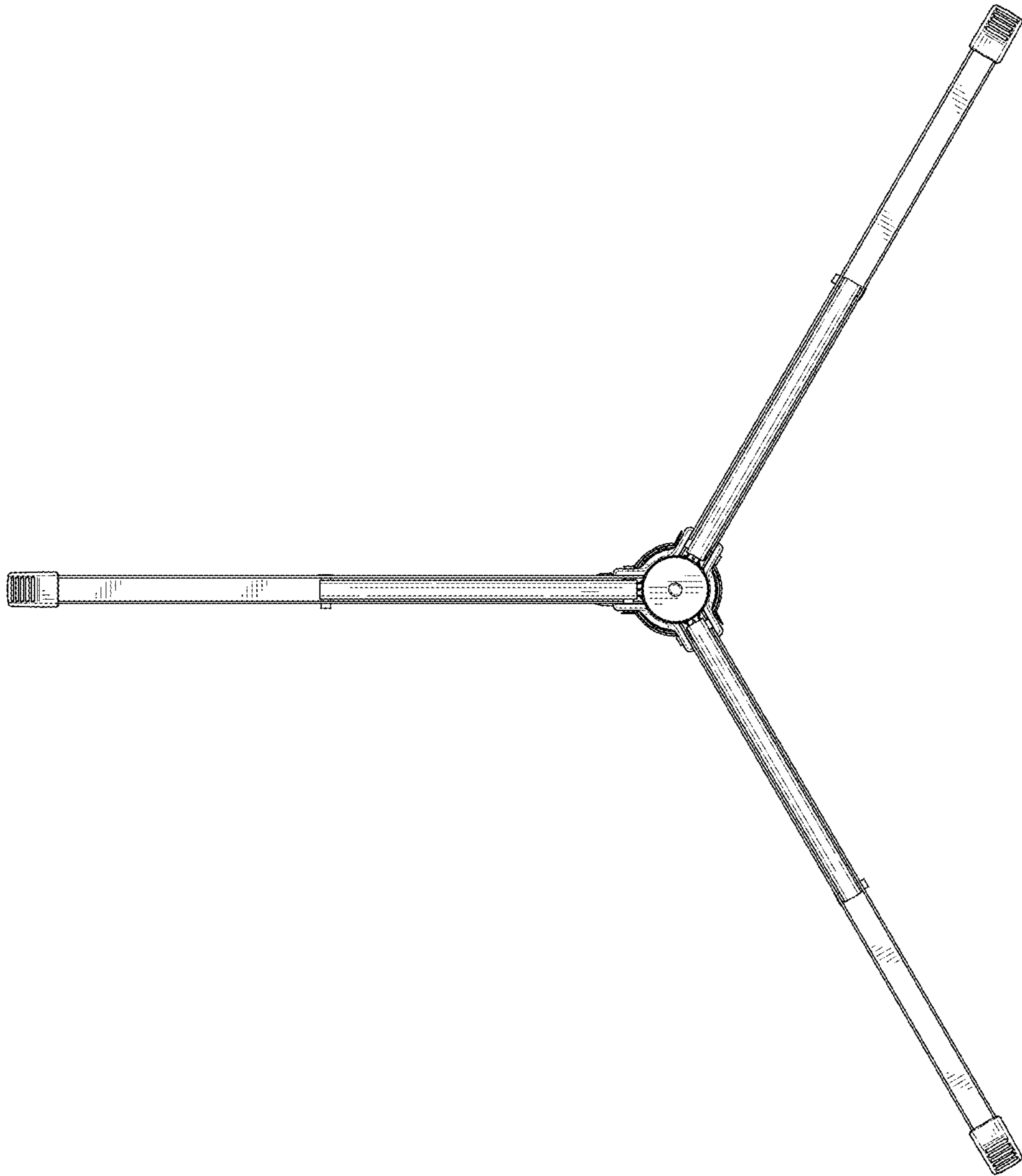


FIG. 8

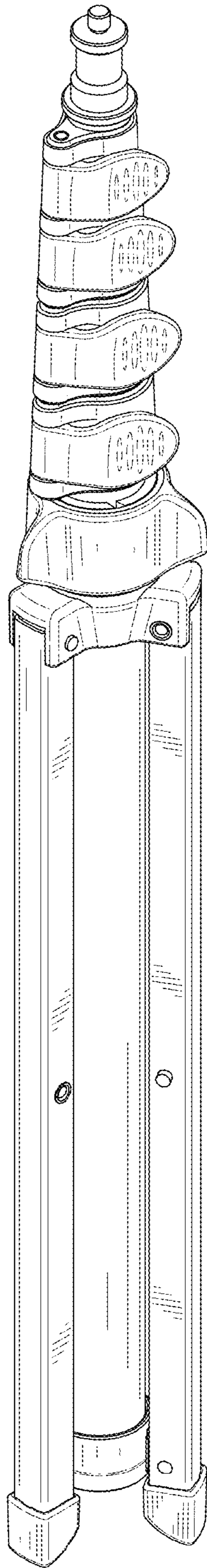


FIG. 9

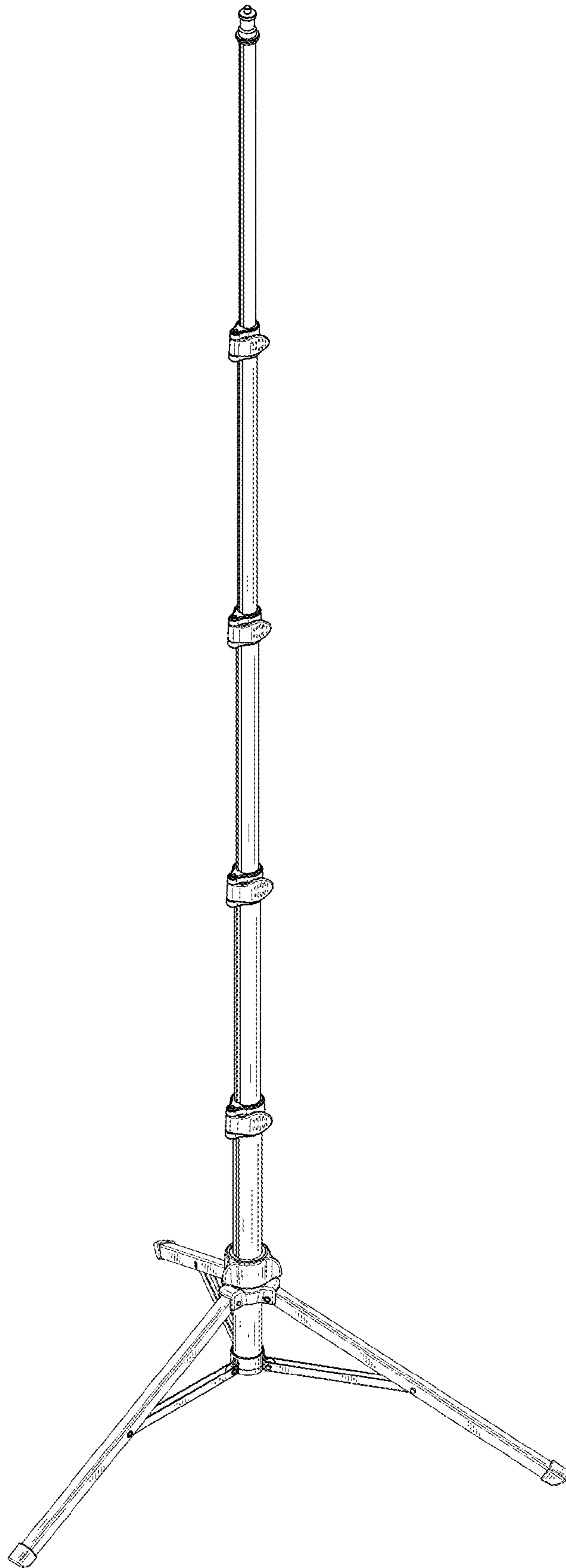


FIG. 10

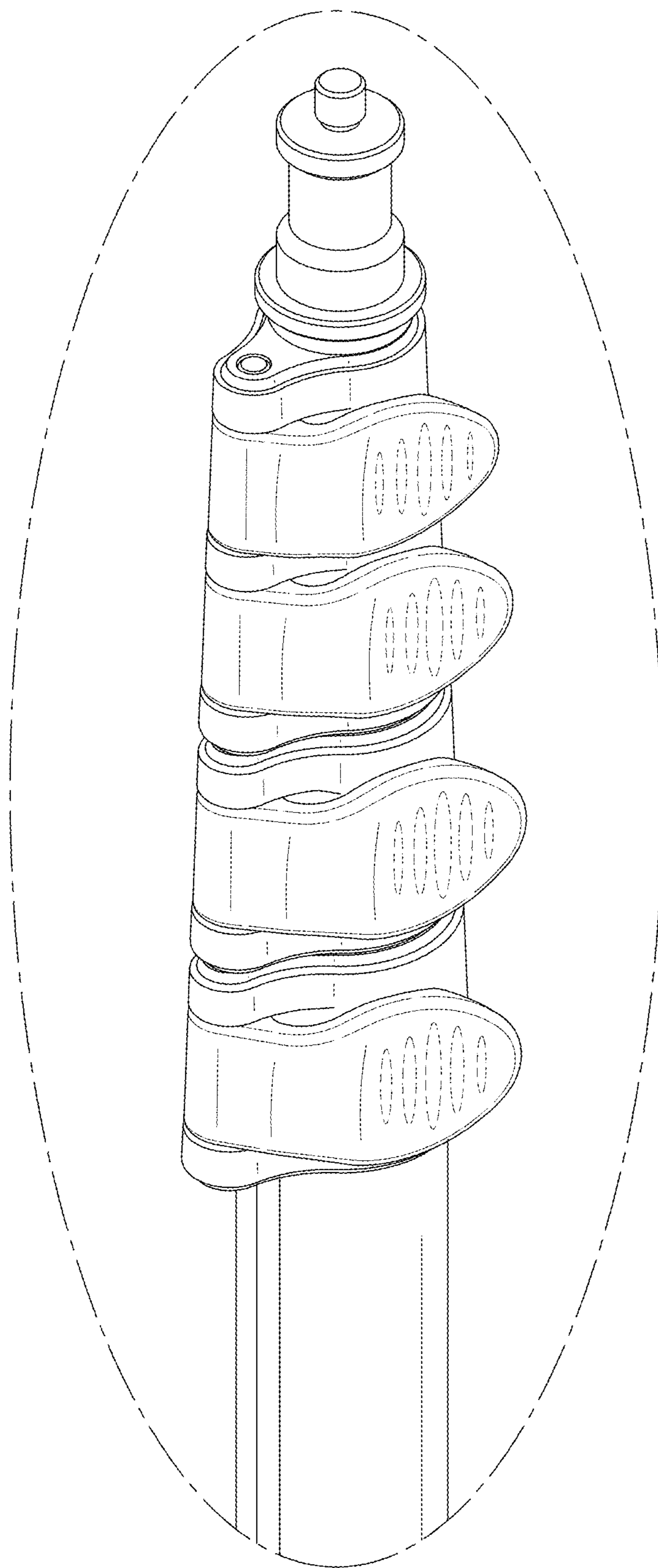


FIG. 11

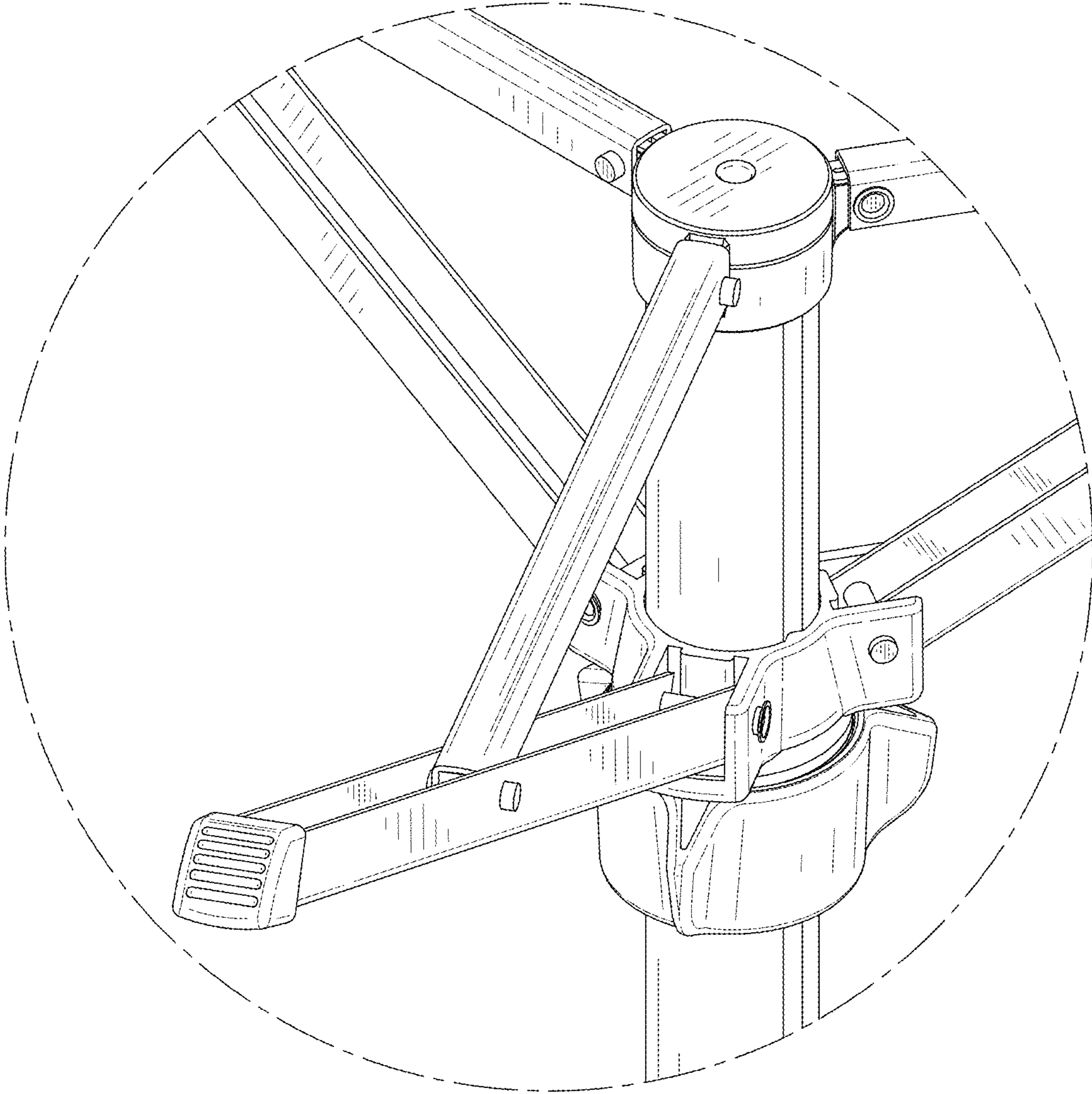


FIG. 12