



US00D915494S

(12) **United States Design Patent**
Zeng

(10) **Patent No.:** **US D915,494 S**

(45) **Date of Patent:** **** Apr. 6, 2021**

(54) **MINI TRIPOD**

(71) Applicant: **Zhongshan Jiabao Photographic Equipment Co., Ltd.**, Zhongshan (CN)

(72) Inventor: **Xianhui Zeng**, Ganzhou (CN)

(**) Term: **15 Years**

(21) Appl. No.: **29/699,206**

(22) Filed: **Jul. 23, 2019**

(51) **LOC (13) Cl.** **16-05**

(52) **U.S. Cl.**
USPC **D16/244**

(58) **Field of Classification Search**
USPC D16/219, 237-250; D8/354, 355, 363, D8/373, 382-383, 394-396; D14/224, D14/229, 238, 251, 253, 447, 451, 457
CPC F16M 11/06-10; F16M 11/14; G02B 7/00-002; G03B 17/561-566; H04N 5/2253-2254

See application file for complete search history.

(56) **References Cited**

U.S. PATENT DOCUMENTS

D299,244 S *	1/1989	Jones	D16/244
D607,036 S *	12/2009	Darrow	D16/242
D607,917 S *	1/2010	Darrow	D16/244
D739,456 S *	9/2015	Poli	D16/244
10,139,039 B1 *	11/2018	Reed	F16M 11/28
D839,339 S *	1/2019	Balmer	D16/244
D840,464 S *	2/2019	Balmer	D16/244
D881,981 S *	4/2020	Li	D16/244
10,718,464 B2 *	7/2020	Li	F16M 11/10
D902,987 S *	11/2020	Liu	D16/244
2003/0234327 A1 *	12/2003	Nakatani	F16M 11/16
				248/177.1
2018/0266625 A1 *	9/2018	Balmer	G03B 17/561

OTHER PUBLICATIONS

ULANZI Camera Tripod, Mini Flexible Tripod Stand with Hidden Phone Holder w Cold Shoe Mount, 1/4" Screw for Magic Arm, Universal for iPhone 11 Pro Max XS Max X 8 7 Samsung Canon Nikon Sony Cameras, [online] Retrieved Feb. 3, 2021 from URL: <https://www.amazon.com/ULANZI-Flexible-Universal-Samsung-Cameras/dp/B083QYHX3K>.*

* cited by examiner

Primary Examiner — Vy N Koenig

(74) *Attorney, Agent, or Firm* — ZANIP

(57) **CLAIM**

The ornamental design for a mini tripod, as shown and described.

DESCRIPTION

FIG. 1 is a front perspective view of a mini tripod showing my new design;

FIG. 2 is a back perspective view thereof;

FIG. 3 is a front view thereof;

FIG. 4 is a back view thereof;

FIG. 5 is a left side view thereof;

FIG. 6 is a right side view thereof;

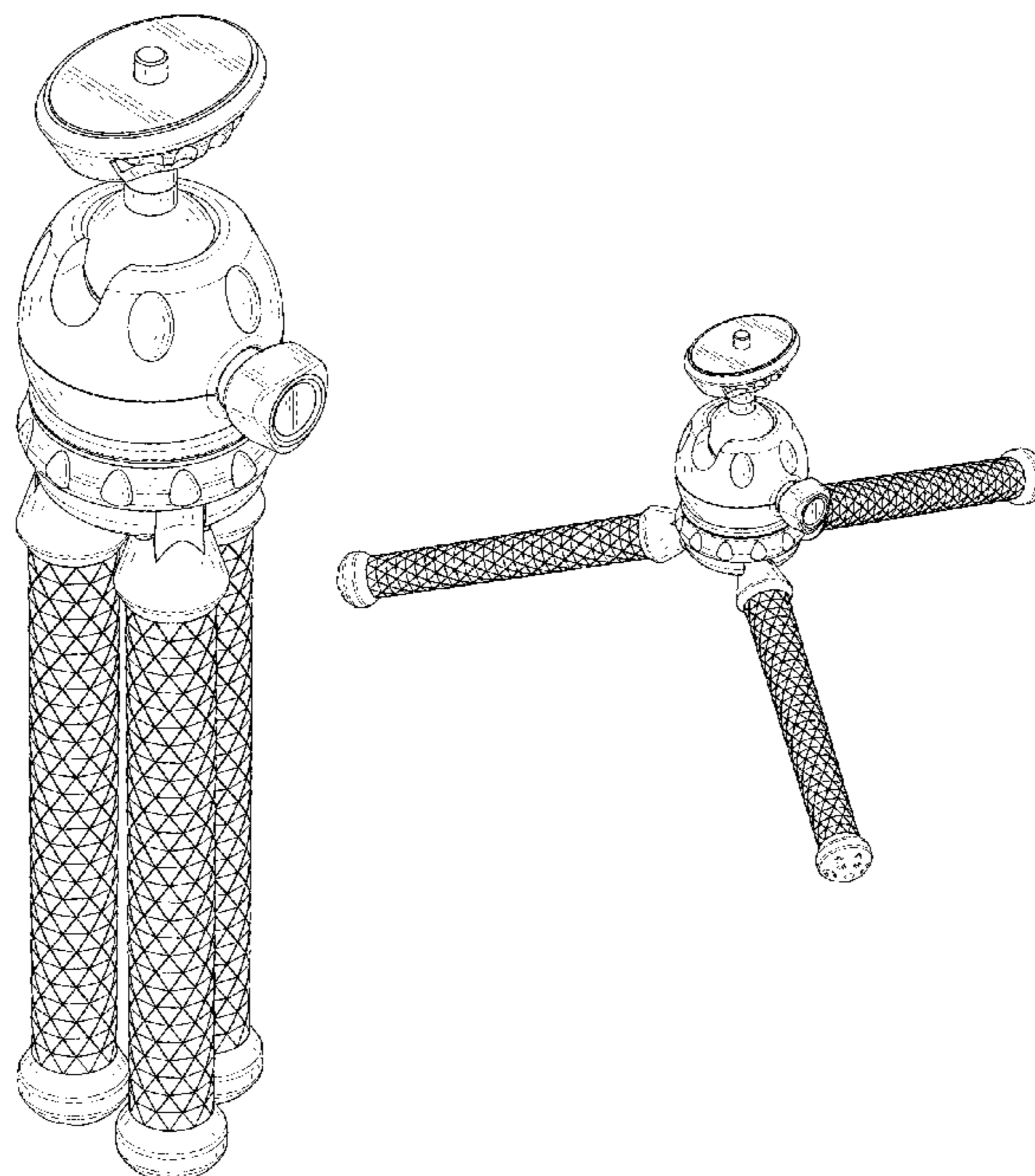
FIG. 7 is a top view thereof;

FIG. 8 is a bottom view thereof; and,

FIG. 9 is a top perspective view of the mini tripod when its legs are unfolded.

The broken lines in the figures illustrate portions of the mini tripod that form no part of the claimed design.

1 Claim, 9 Drawing Sheets



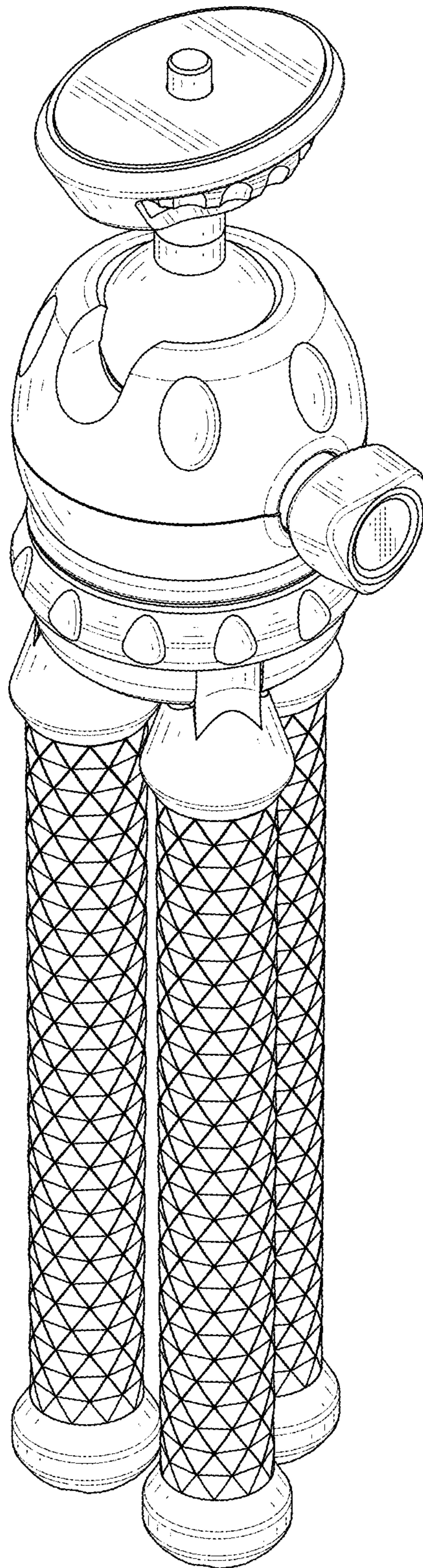


FIG. 1

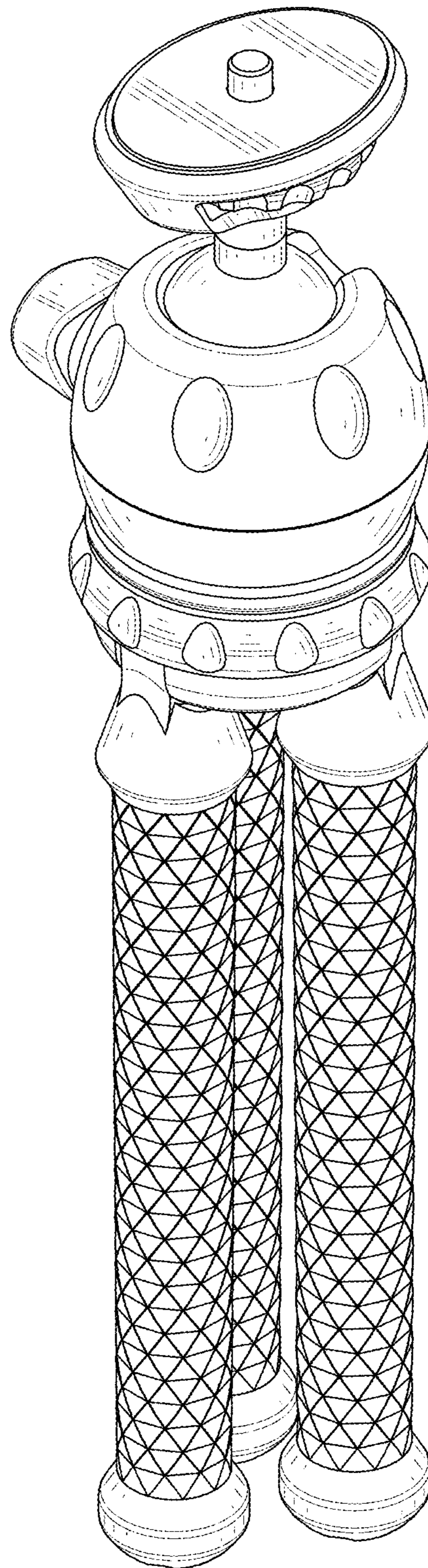


FIG. 2

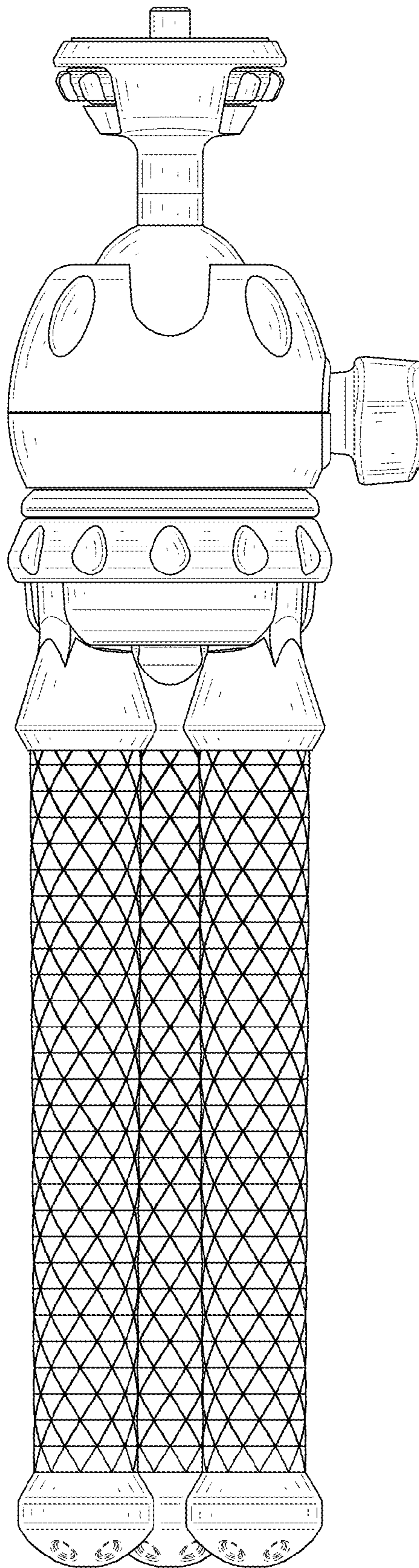


FIG. 3

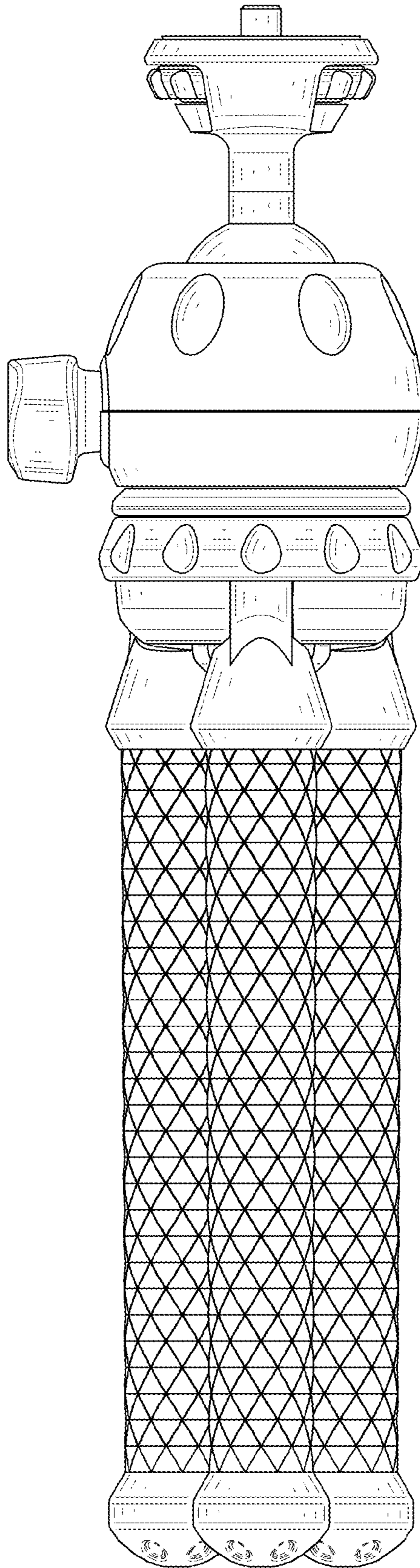


FIG. 4

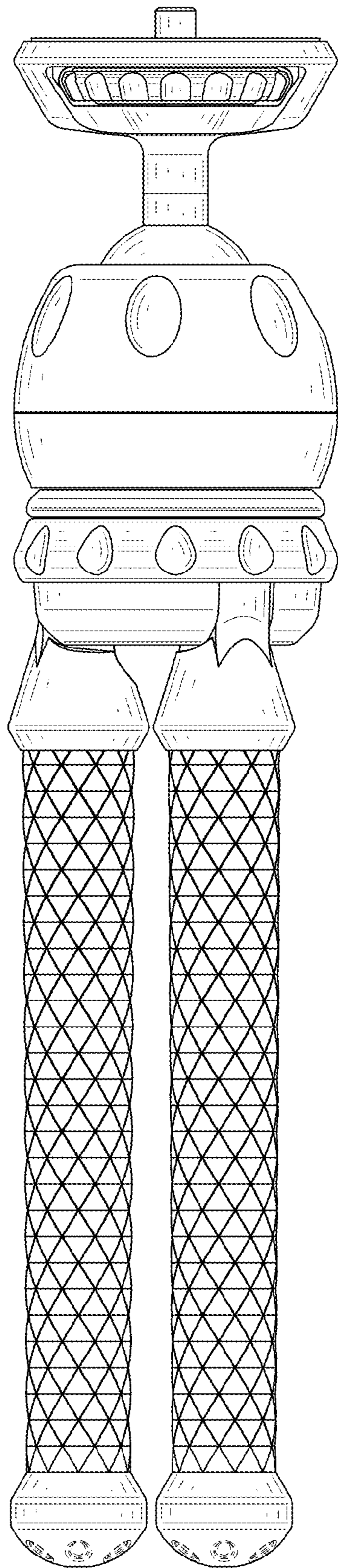


FIG. 5

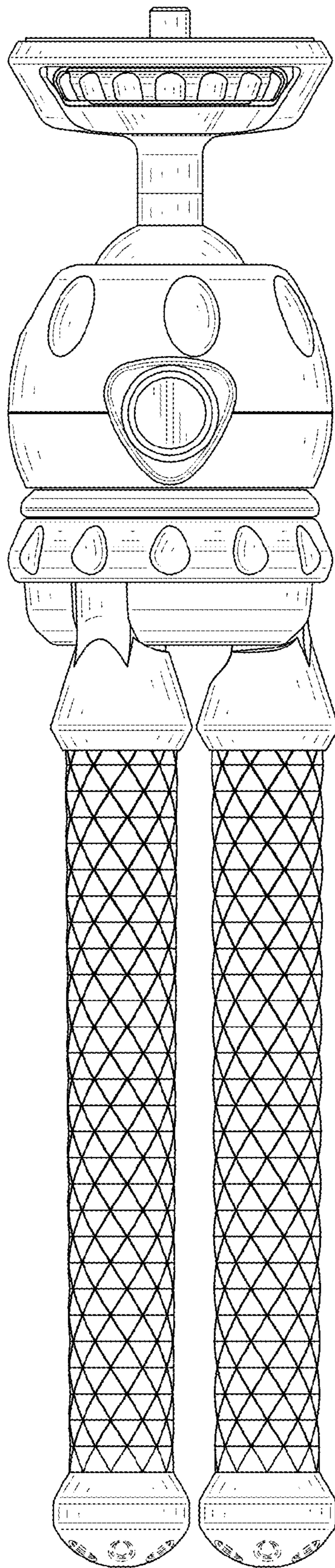


FIG. 6

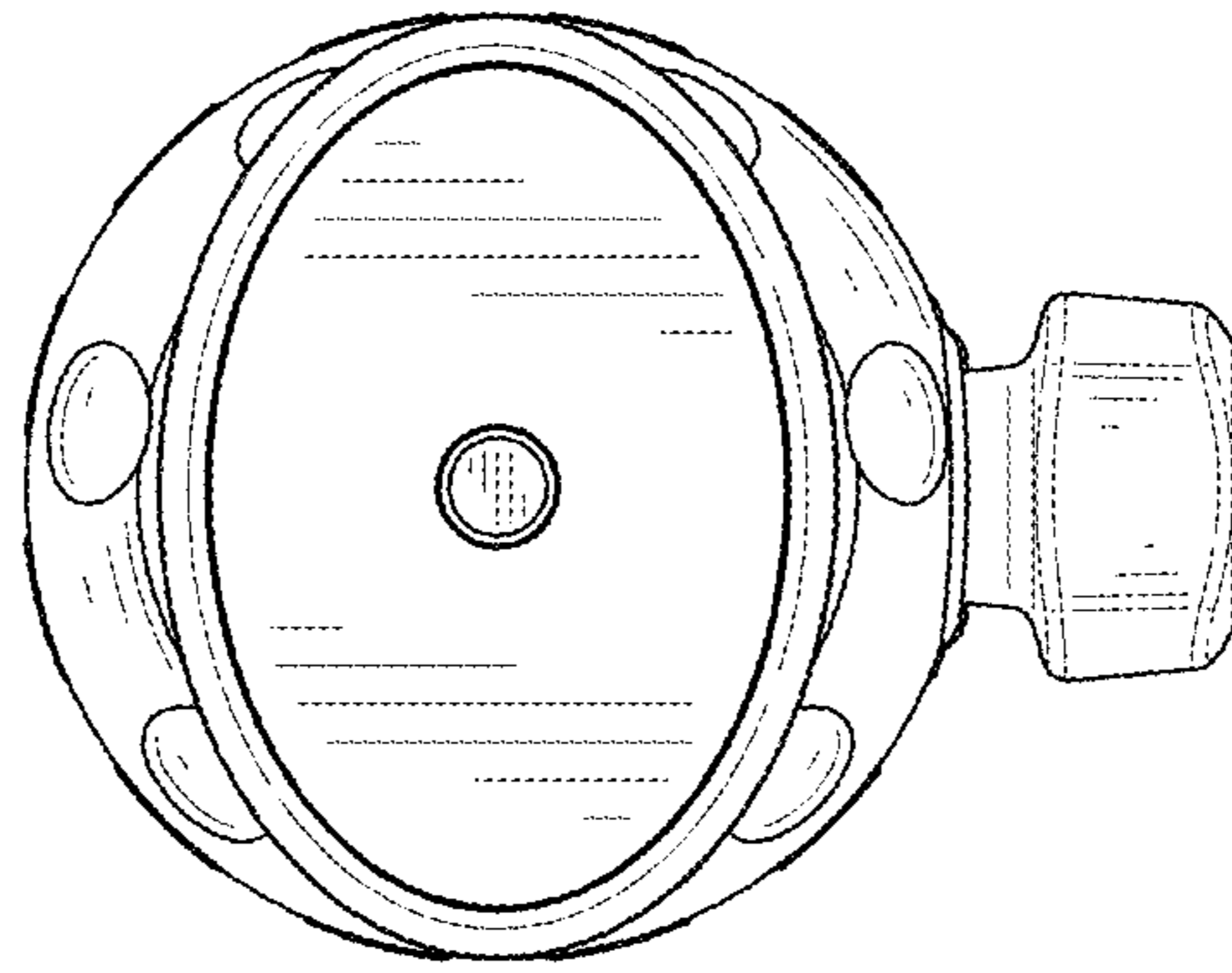


FIG. 7

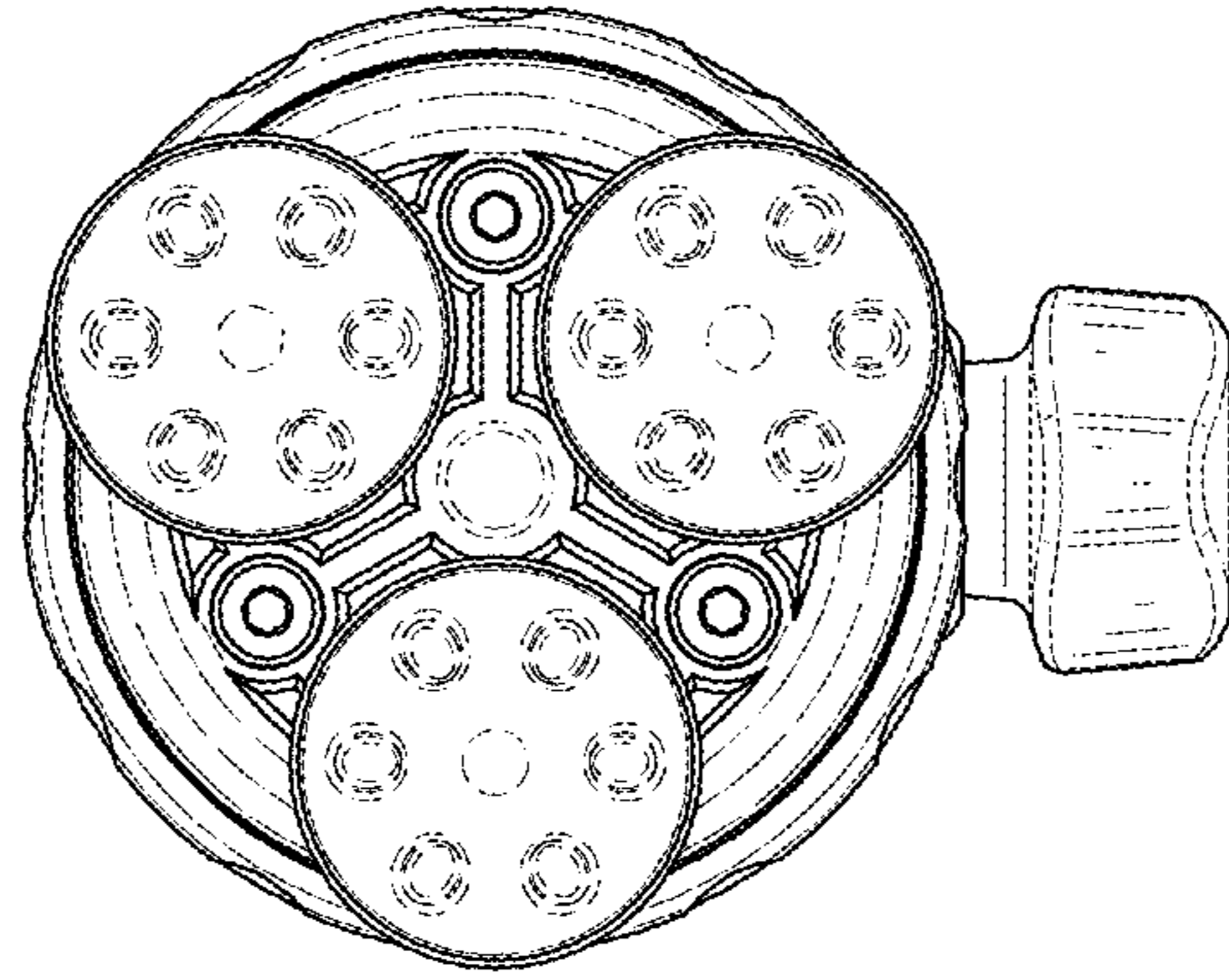


FIG. 8

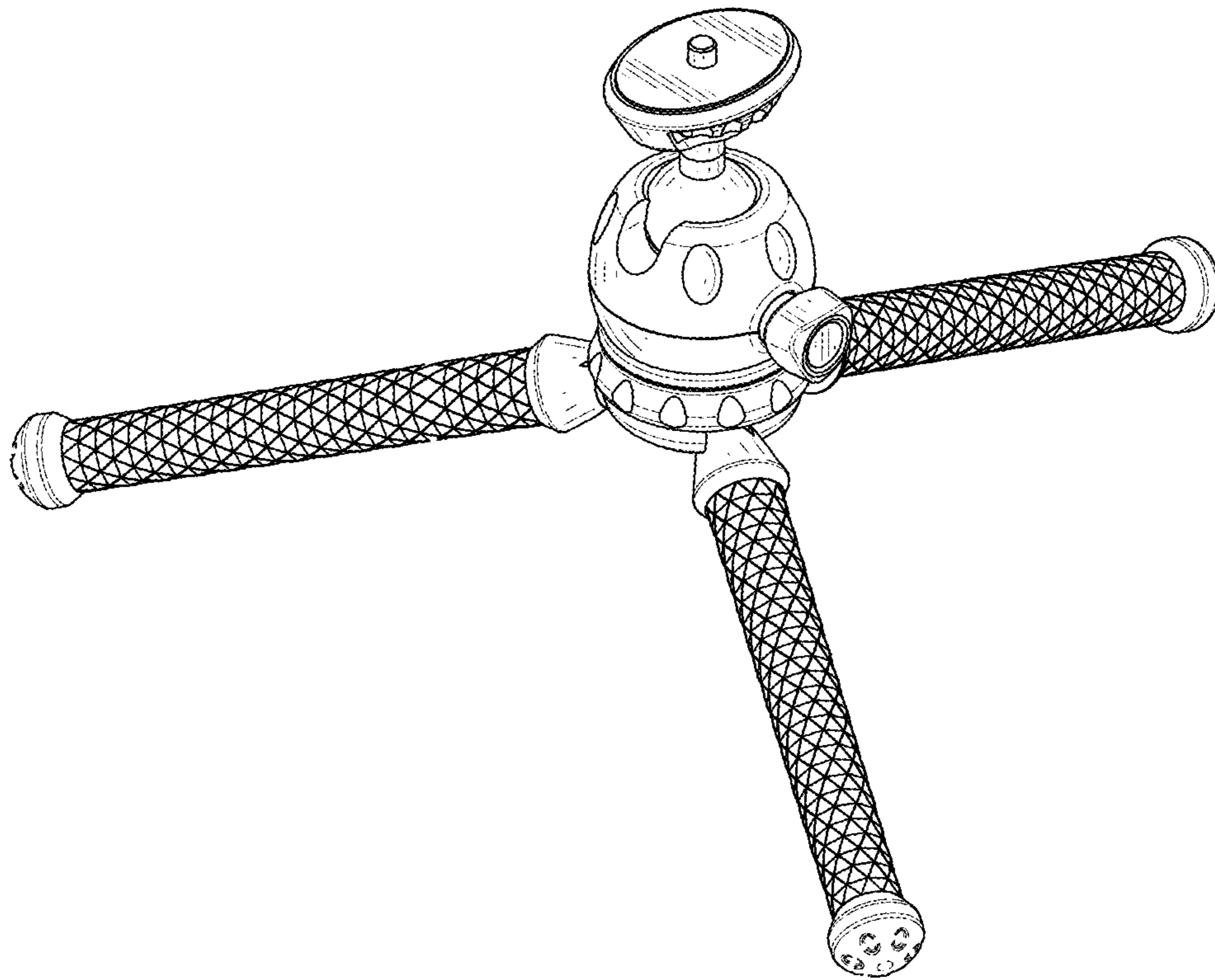


FIG. 9