



US00D915493S

(12) **United States Design Patent**  
**Li et al.**

(10) **Patent No.:** **US D915,493 S**

(45) **Date of Patent:** **\*\* Apr. 6, 2021**

(54) **HANDHELD STABILIZER**

(71) Applicant: **GUILIN ZHISHEN INFORMATION TECHNOLOGY CO., LTD.**, Guilin (CN)

(72) Inventors: **Jing Li**, Guilin (CN); **Xin Wang**, Guilin (CN)

(73) Assignee: **Guilin Zhishen Information Technology Co., Ltd.**

(\*\*) Term: **15 Years**

(21) Appl. No.: **29/691,437**

(22) Filed: **May 16, 2019**

(30) **Foreign Application Priority Data**

Jan. 21, 2019 (CN) ..... 201930030944.7

(51) **LOC (13) Cl.** ..... **16-05**

(52) **U.S. Cl.**  
USPC ..... **D16/243**

(58) **Field of Classification Search**  
USPC ..... D16/219, 237-250; D14/224, 229, 238, D14/251, 253, 447, 451, 457  
CPC ..... G03B 17/56; G03B 17/561-566  
See application file for complete search history.

(56) **References Cited**

**U.S. PATENT DOCUMENTS**

9,458,963	B1 *	10/2016	Choi	.....	F16M 11/10
D780,825	S *	3/2017	Kim	.....	D16/242
D784,997	S *	4/2017	Cheng	.....	D14/447
D791,760	S *	7/2017	Kim	.....	D14/253
D794,606	S *	8/2017	Zheng	.....	D14/217
D796,482	S *	9/2017	Zheng	.....	D14/217
D810,806	S *	2/2018	Kim	.....	D16/206
D814,545	S *	4/2018	Kim	.....	D16/206
D815,180	S *	4/2018	Kim	.....	D16/206
D824,882	S *	8/2018	Zheng	.....	D14/217

10,139,711	B1 *	11/2018	Wei	.....	G03B 17/563
D841,725	S *	2/2019	Frisancho Vera	.....	D16/245
D849,497	S *	5/2019	Wang	.....	D8/71
D857,786	S *	8/2019	Kim	.....	D16/243
D863,411	S *	10/2019	Liao	.....	D16/243
D863,412	S *	10/2019	Liao	.....	D16/245
D866,647	S *	11/2019	Kim	.....	D16/243
D868,877	S *	12/2019	Lin	.....	D16/243
D879,186	S *	3/2020	Fang	.....	D16/243
D879,864	S *	3/2020	Liao	.....	D16/243
D886,892	S *	6/2020	Voss	.....	D16/242
D888,813	S *	6/2020	Boerup	.....	D16/242

(Continued)

**OTHER PUBLICATIONS**

DJI Osmo Mobile 3 Smartphone Gimbal. [online] Retrieved Sep. 11, 2020 from URL: [https://www.bhphotovideo.com/c/product/1497924-REG/dji\\_cp\\_os\\_00000022\\_01\\_osmo\\_mobile\\_3\\_smartphone.html](https://www.bhphotovideo.com/c/product/1497924-REG/dji_cp_os_00000022_01_osmo_mobile_3_smartphone.html).\*

(Continued)

*Primary Examiner* — Vy N Koenig

(74) *Attorney, Agent, or Firm* — Offit Kurman, P.A.; Zhun Lu

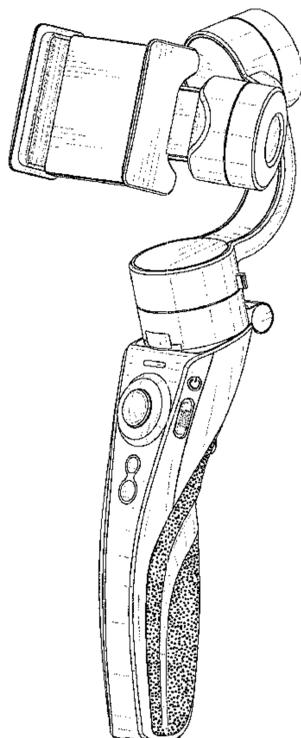
(57) **CLAIM**

The ornamental design for a handheld stabilizer, as shown and described.

**DESCRIPTION**

FIG. 1 is a front side perspective view of a handheld stabilizer showing my new design; FIG. 2 is rear side perspective view of FIG. 1; FIG. 3 is a front side elevation view of FIG. 1; FIG. 4 is a rear side elevation view of FIG. 1; FIG. 5 is a left side elevation view of FIG. 1; FIG. 6 is a right side elevation view of FIG. 1; FIG. 7 is a top plan view of FIG. 1; and, FIG. 8 is a bottom plan view of FIG. 1.

**1 Claim, 7 Drawing Sheets**



(56)

**References Cited**

U.S. PATENT DOCUMENTS

2016/0381271 A1\* 12/2016 Cheng ..... F16M 11/041  
348/208.2

OTHER PUBLICATIONS

Hohem Isteady Mobile for iPhone X XR XS Smartphone Vlog  
Youtuber Live Video Record—United States Black. [online] Retrieved  
Sep. 11, 2020 from URL: [https://www.gearbest.com/gimbal/pp\\_3006642852453303.html](https://www.gearbest.com/gimbal/pp_3006642852453303.html).\*

\* cited by examiner

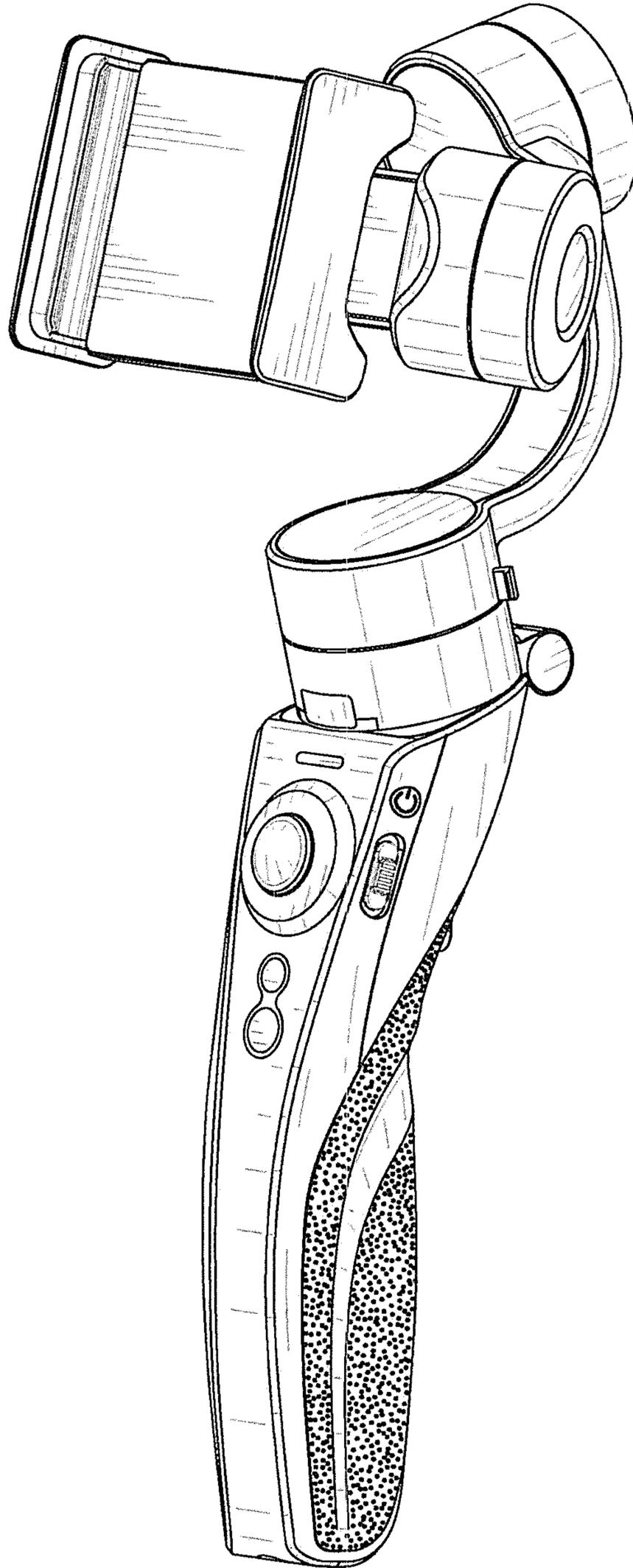


FIG. 1

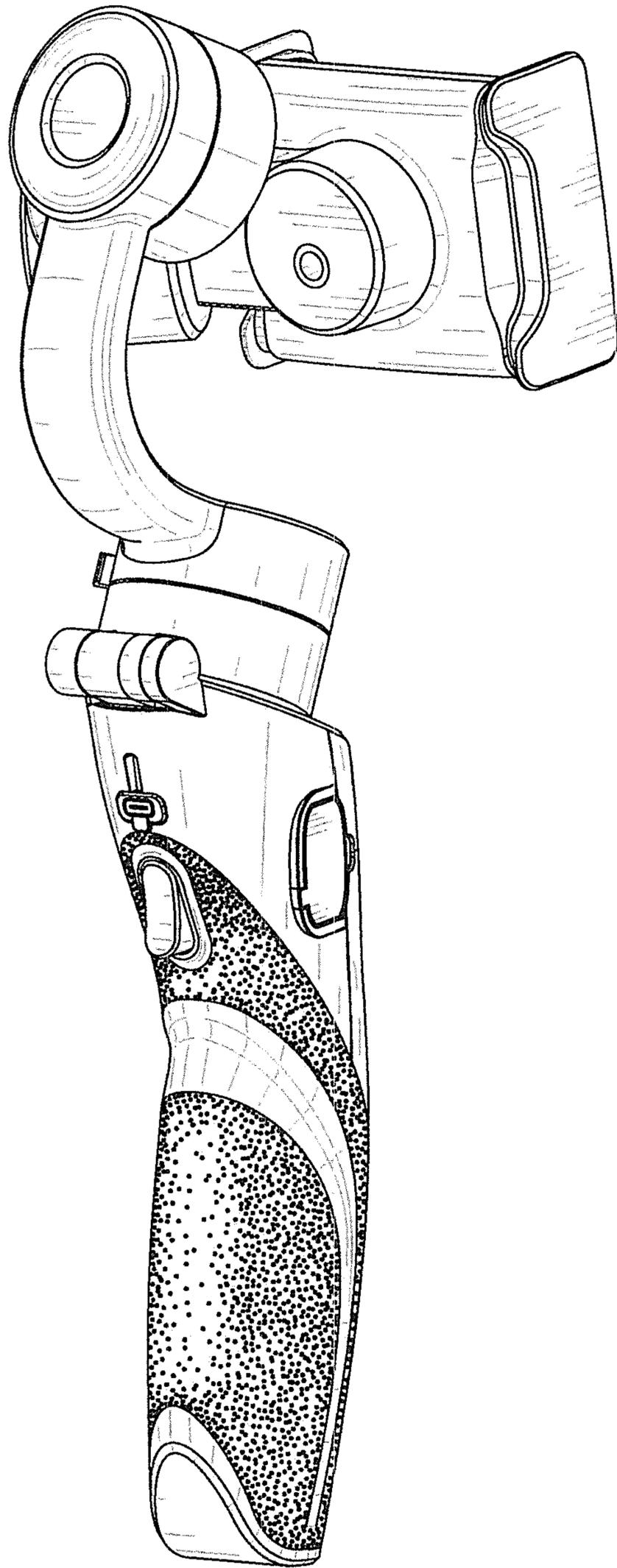


FIG.2

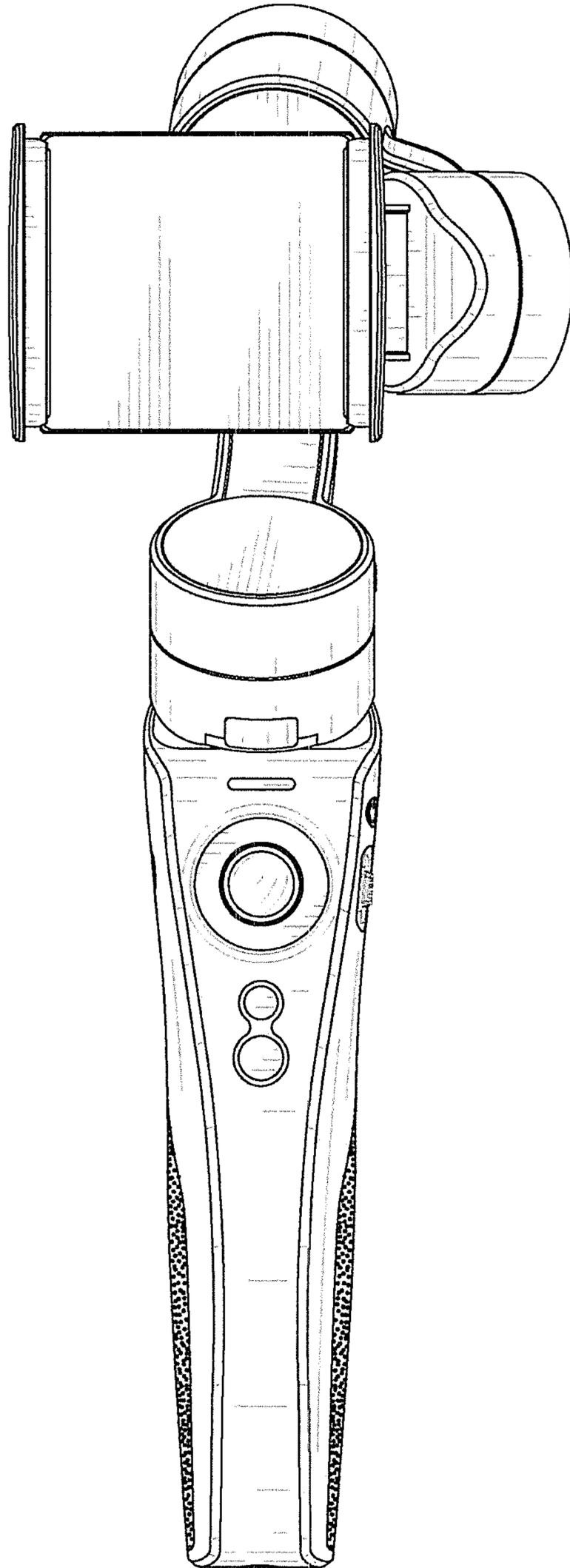


FIG.3

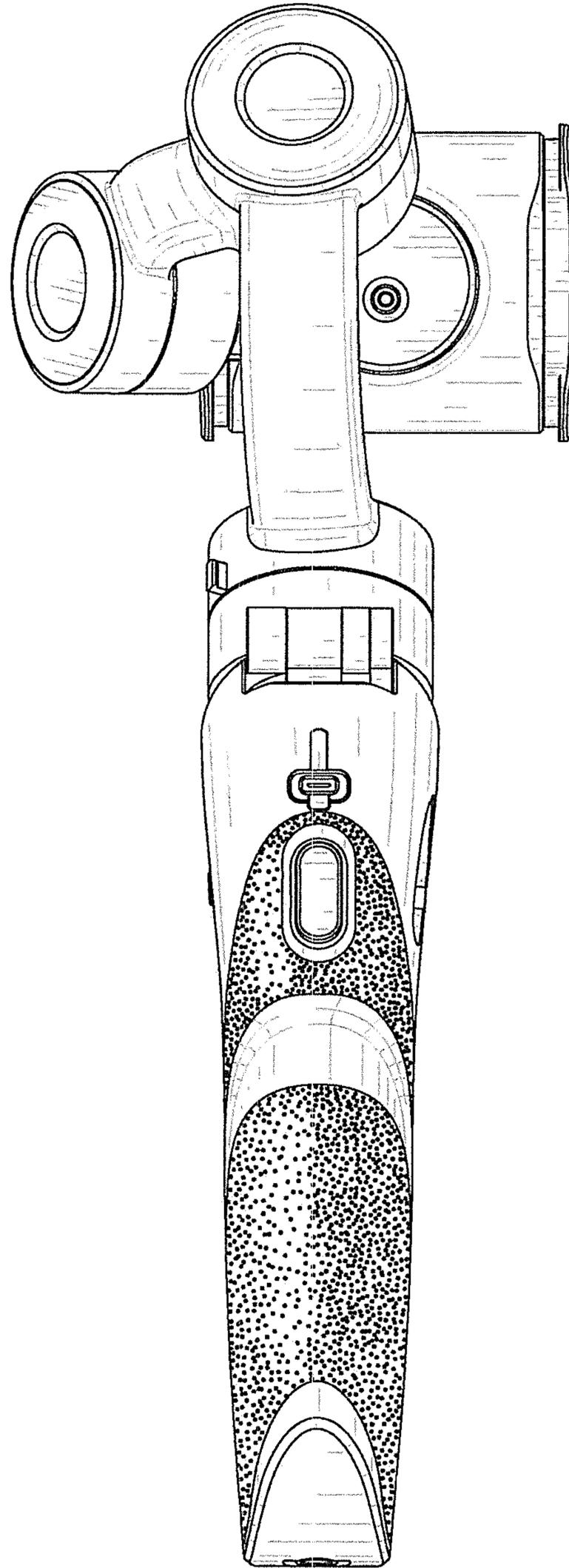


FIG.4

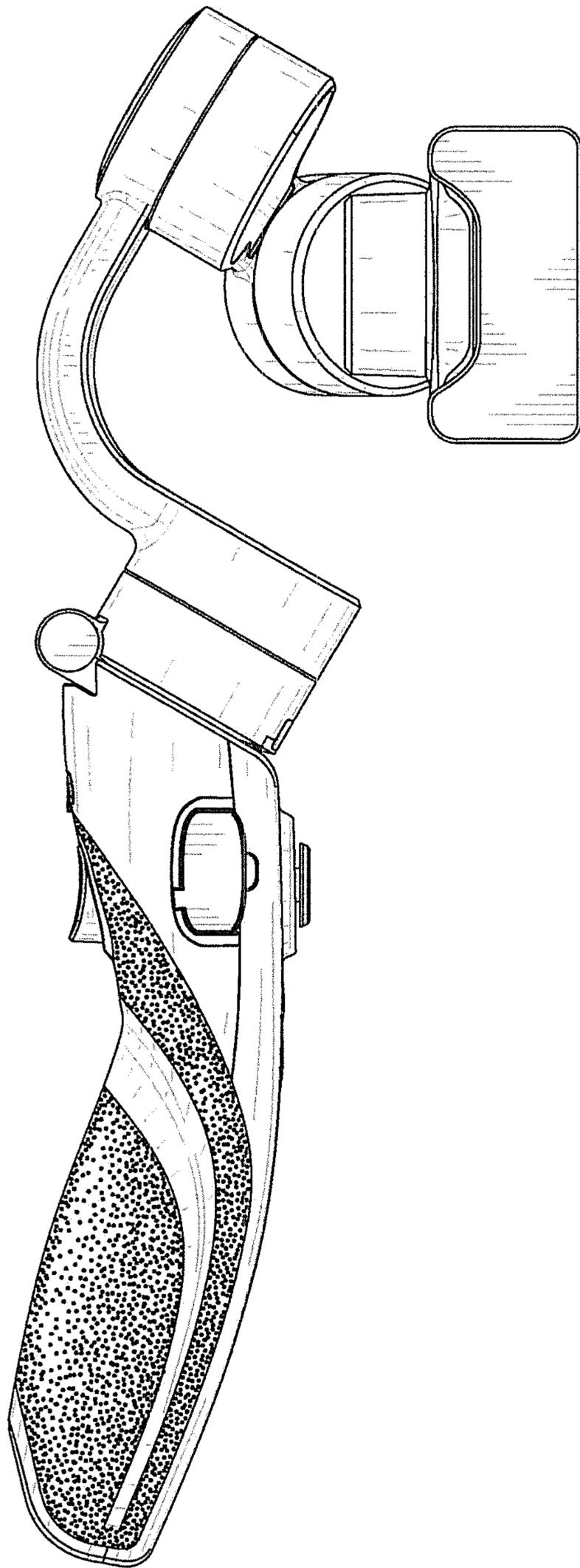


FIG.5

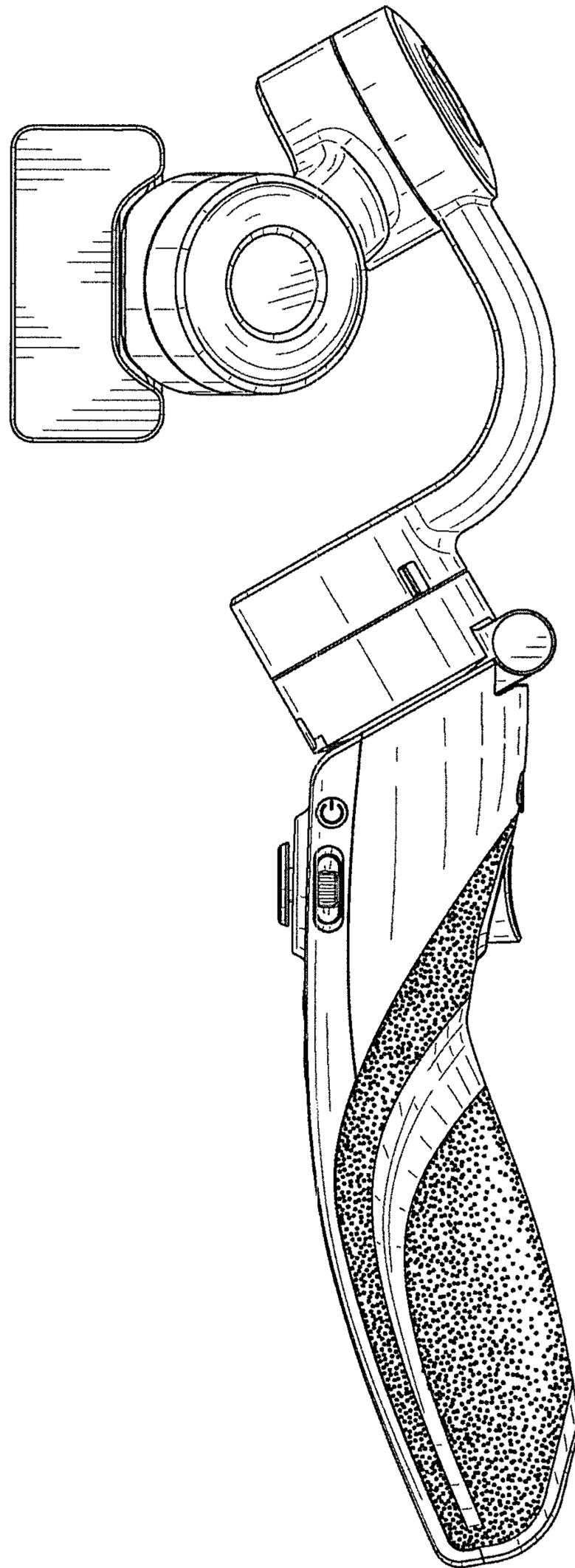


FIG.6

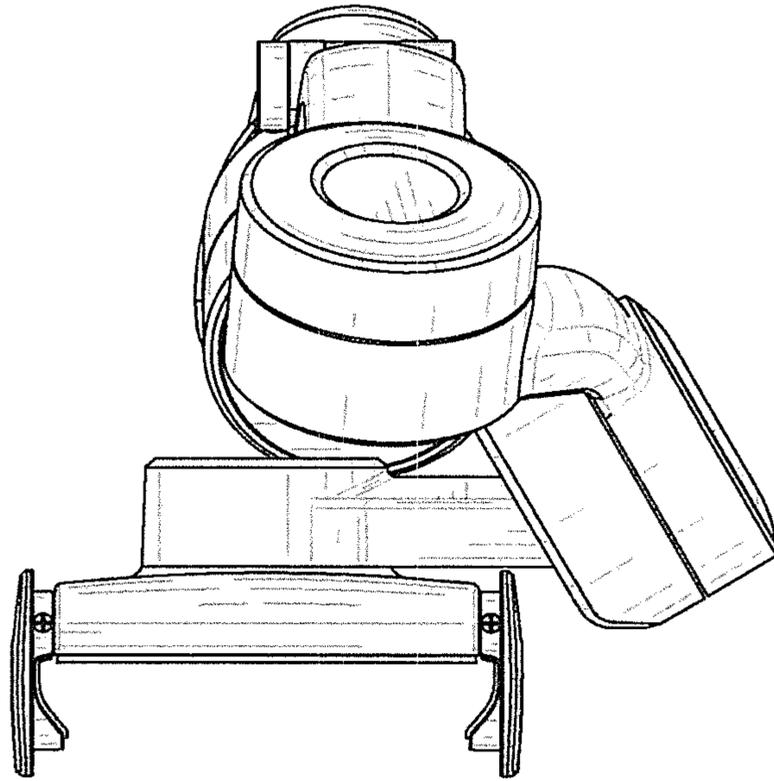


FIG. 7

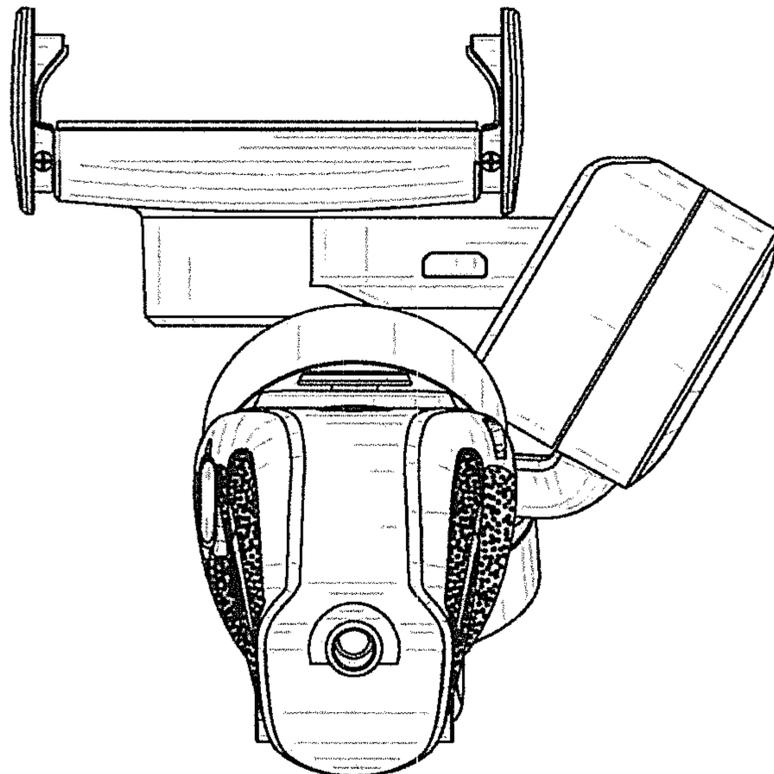


FIG. 8