



US00D915492S

(12) **United States Design Patent** (10) **Patent No.:** **US D915,492 S**  
**Wang** (45) **Date of Patent:** **\*\* \*Apr. 6, 2021**

(54) **GIMBAL**  
(71) Applicant: **AUTEL ROBOTICS CO., LTD.**,  
Shenzhen (CN)  
(72) Inventor: **Yongshuai Wang**, Shenzhen (CN)  
(73) Assignee: **AUTEL ROBOTICS CO., LTD.**,  
Shenzhen (CN)  
(\* ) Notice: This patent is subject to a terminal dis-  
claimer.  
(\*\*) Term: **15 Years**

D754,242 S \* 4/2016 Wang ..... D16/242  
D771,733 S \* 11/2016 Wang ..... D16/242  
D785,698 S \* 5/2017 Wang ..... D16/242  
D790,000 S \* 6/2017 Wang ..... D16/200  
D791,216 S \* 7/2017 Wang ..... D16/242  
D791,217 S \* 7/2017 Wang ..... D16/200  
D799,581 S \* 10/2017 Lin ..... D16/242  
9,835,934 B2 \* 12/2017 Matt ..... G03B 17/561  
9,890,900 B2 \* 2/2018 Zhao ..... F16M 11/06  
D813,924 S \* 3/2018 Zheng ..... D16/203  
D816,150 S \* 4/2018 Liao ..... D16/242  
9,983,461 B2 \* 5/2018 Tang ..... F16M 11/121  
9,988,145 B2 \* 6/2018 Yu ..... B64C 27/001  
10,047,905 B2 \* 8/2018 Yang ..... F16M 11/10

(Continued)

(21) Appl. No.: **29/630,811**  
(22) Filed: **Dec. 22, 2017**  
(30) **Foreign Application Priority Data**  
Jun. 22, 2017 (CN) ..... 201730261097.6  
(51) **LOC (13) Cl.** ..... **16-05**  
(52) **U.S. Cl.**  
USPC ..... **D16/242**  
(58) **Field of Classification Search**  
USPC ..... D16/219, 237-250; D12/101, 114, 129;  
D14/224, 229, 238, 251, 253, 447, 451,  
D14/457; D8/354, 355, 363, 373, 382,  
D8/383, 394, 395, 396, 397, 398;  
D34/12, 17, 18, 24, 26  
CPC .. A45F 5/00; A45F 5/10; F16M 11/06; F16M  
11/07; F16M 11/08; F16M 11/09; F16M  
11/10; G02B 7/00-002; G03B 17/56;  
G03B 17/561; G03B 17/563; G03B  
17/565; G03B 17/566; G03B 17/568;  
H04N 5/2253-2254  
See application file for complete search history.

(56) **References Cited**  
U.S. PATENT DOCUMENTS  
D560,669 S \* 1/2008 Muday ..... D14/451  
9,016,617 B2 \* 4/2015 Wang ..... B64C 39/024  
244/17.17

**OTHER PUBLICATIONS**

4K Camera & Gimbal Autel Robotics. [online] Published Nov. 4, 2017. Retrieved Oct. 19, 2018 from URL: <https://shop.autelrobotics.com/products/4k-camera-gimbal>.\*

*Primary Examiner* — Vy N Koenig

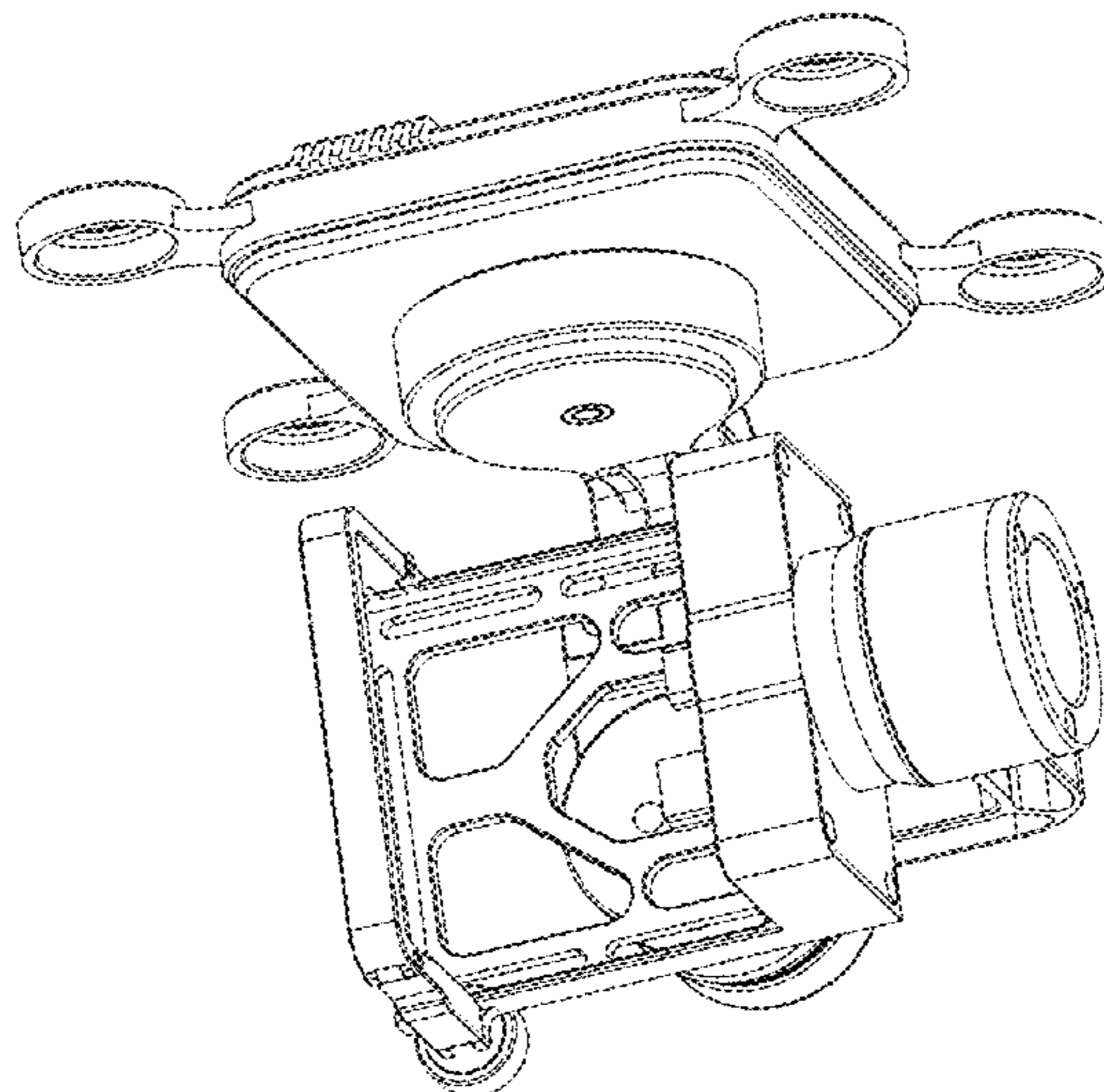
(57) **CLAIM**

The ornamental design for a gimbal, as shown and described.

**DESCRIPTION**

FIG. 1 is a front elevational view of the gimbal showing our new design;  
FIG. 2 is a rear elevational view thereof;  
FIG. 3 is a left elevational view thereof;  
FIG. 4 is a right side elevational view thereof;  
FIG. 5 is a top plan elevational view thereof;  
FIG. 6 is a bottom plan view thereof; and,  
FIG. 7 is a perspective view thereof.  
The broken lines in the drawings depict features of the gimbal that form no part of the claimed design,

**1 Claim, 7 Drawing Sheets**



(56)

**References Cited**

U.S. PATENT DOCUMENTS

2008/0210025 A1\* 9/2008 Goossen ..... F16M 11/041  
74/5.34  
2015/0097950 A1\* 4/2015 Wang ..... H04N 5/23287  
348/144  
2016/0327847 A1\* 11/2016 Yang ..... B64D 47/08  
2017/0174362 A1\* 6/2017 Zhao ..... F16M 11/041  
2017/0307961 A1\* 10/2017 Tian ..... B64C 39/024

\* cited by examiner

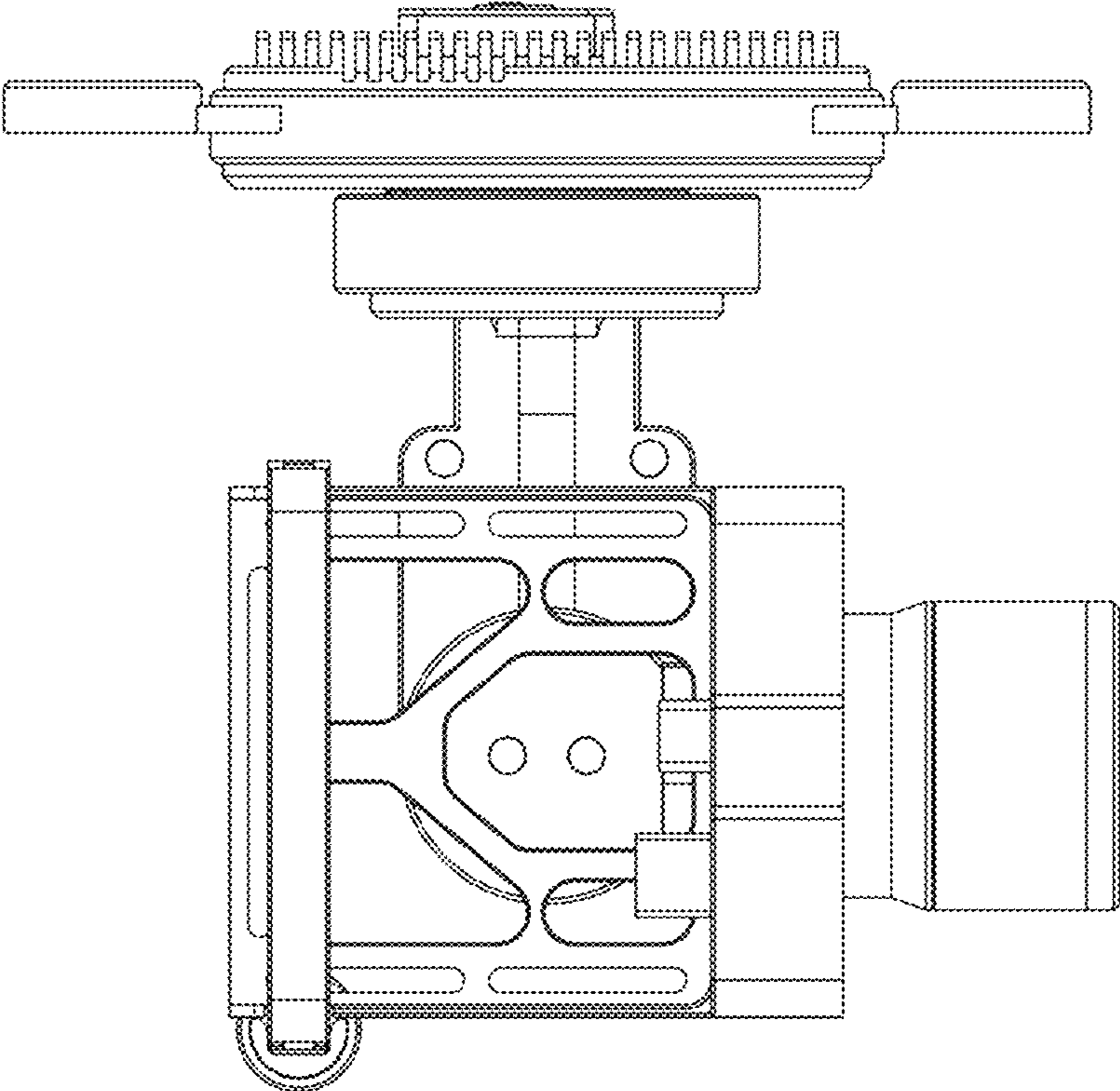


FIG. 1

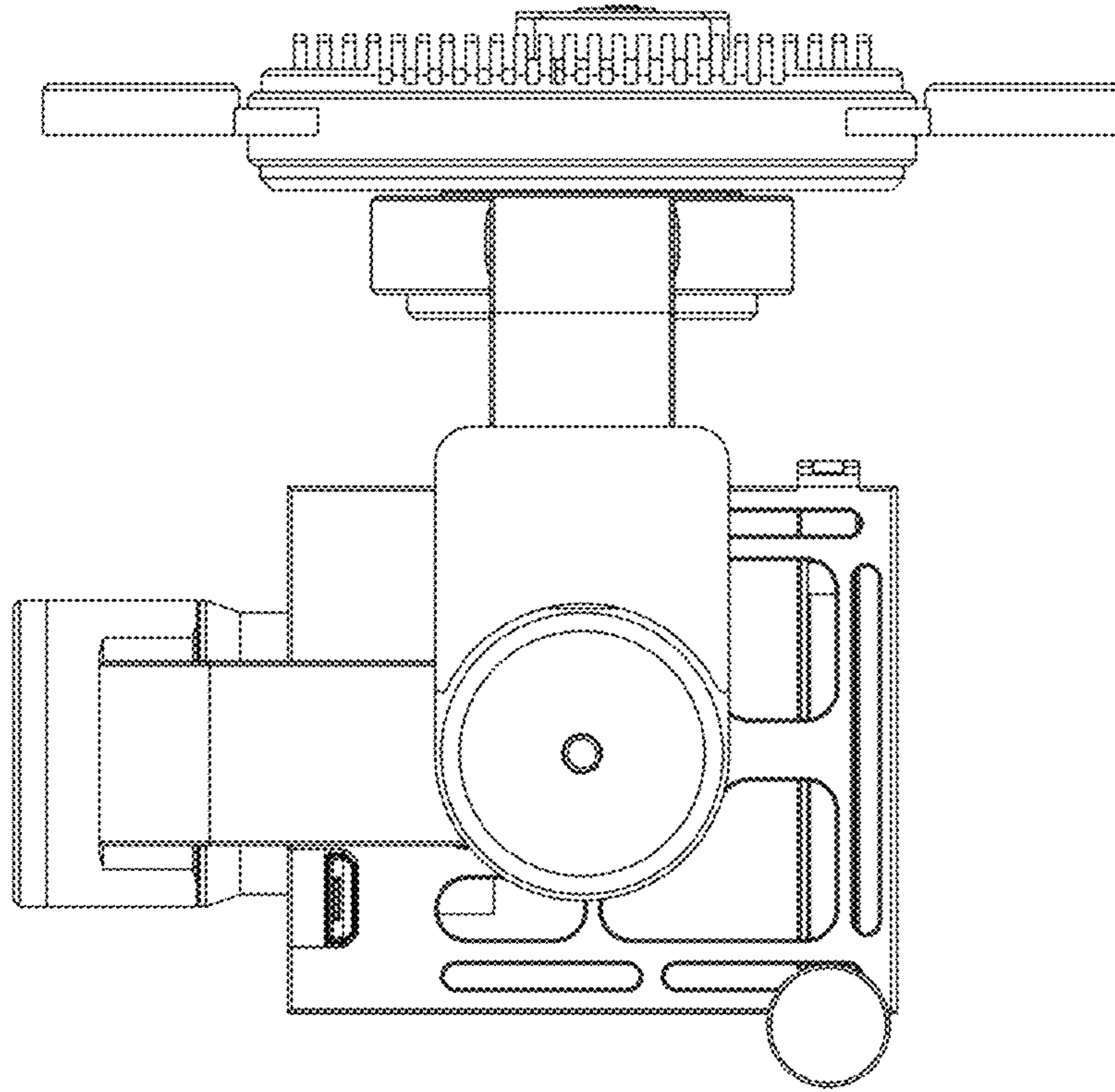


FIG.2

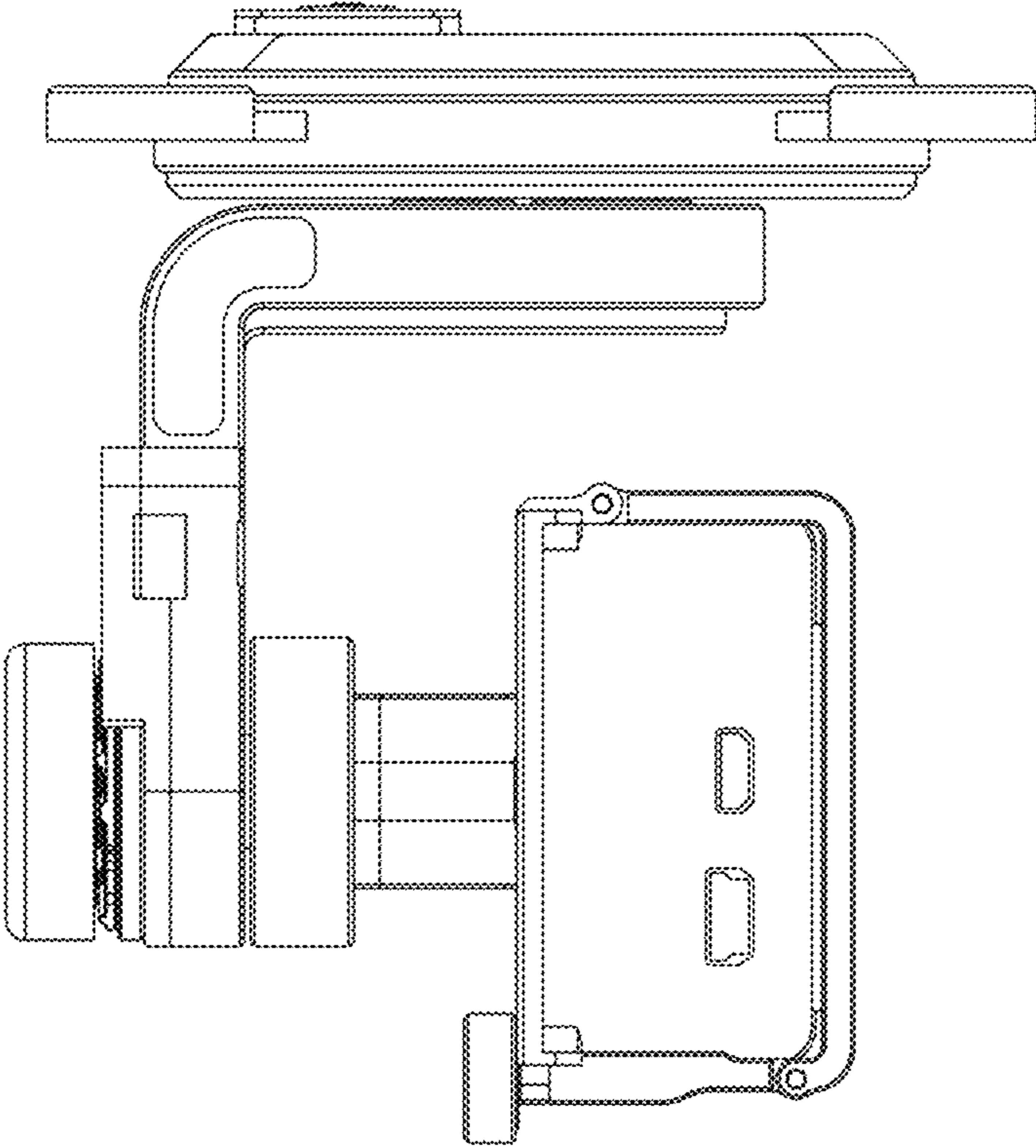


FIG.3

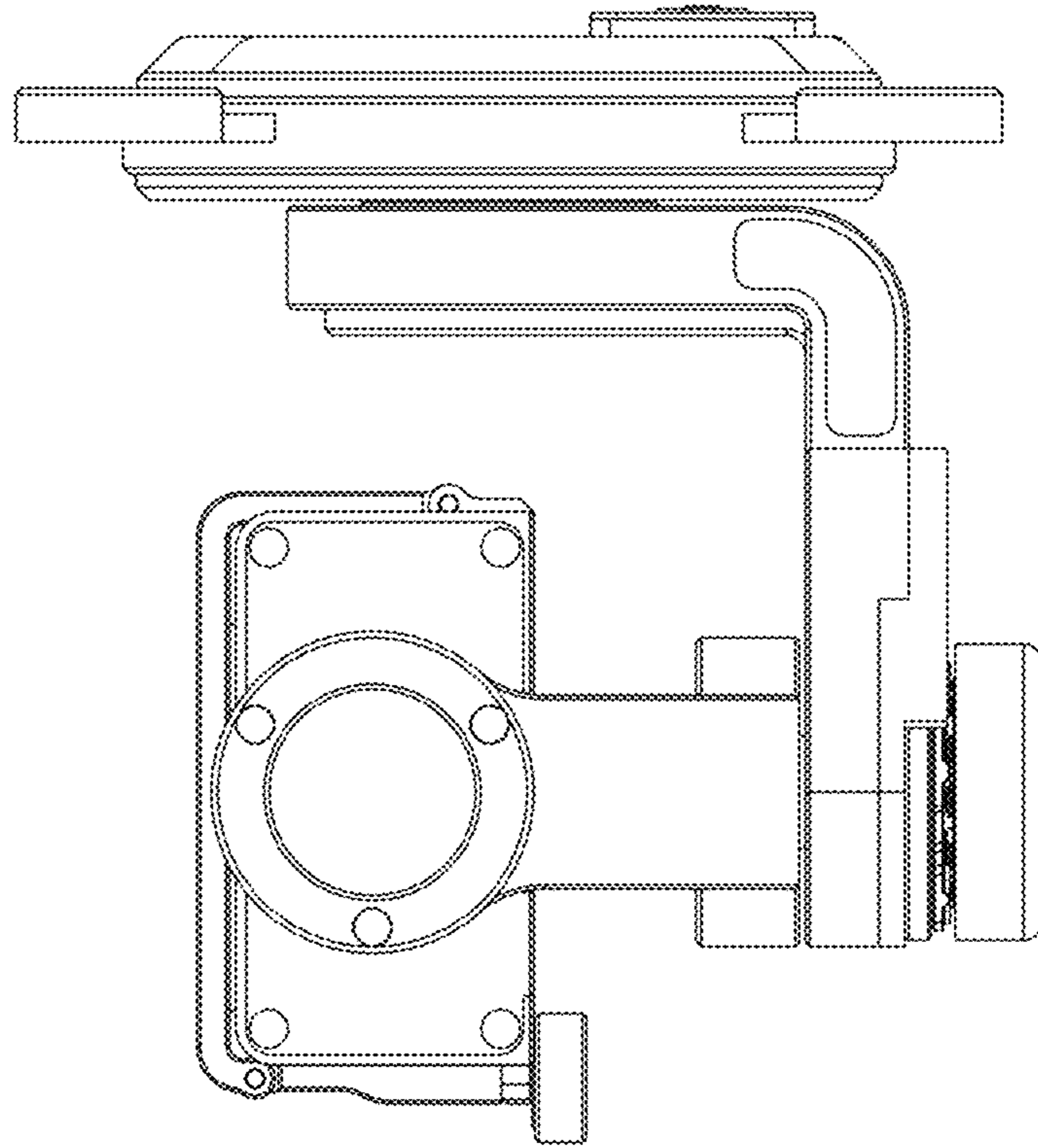


FIG.4

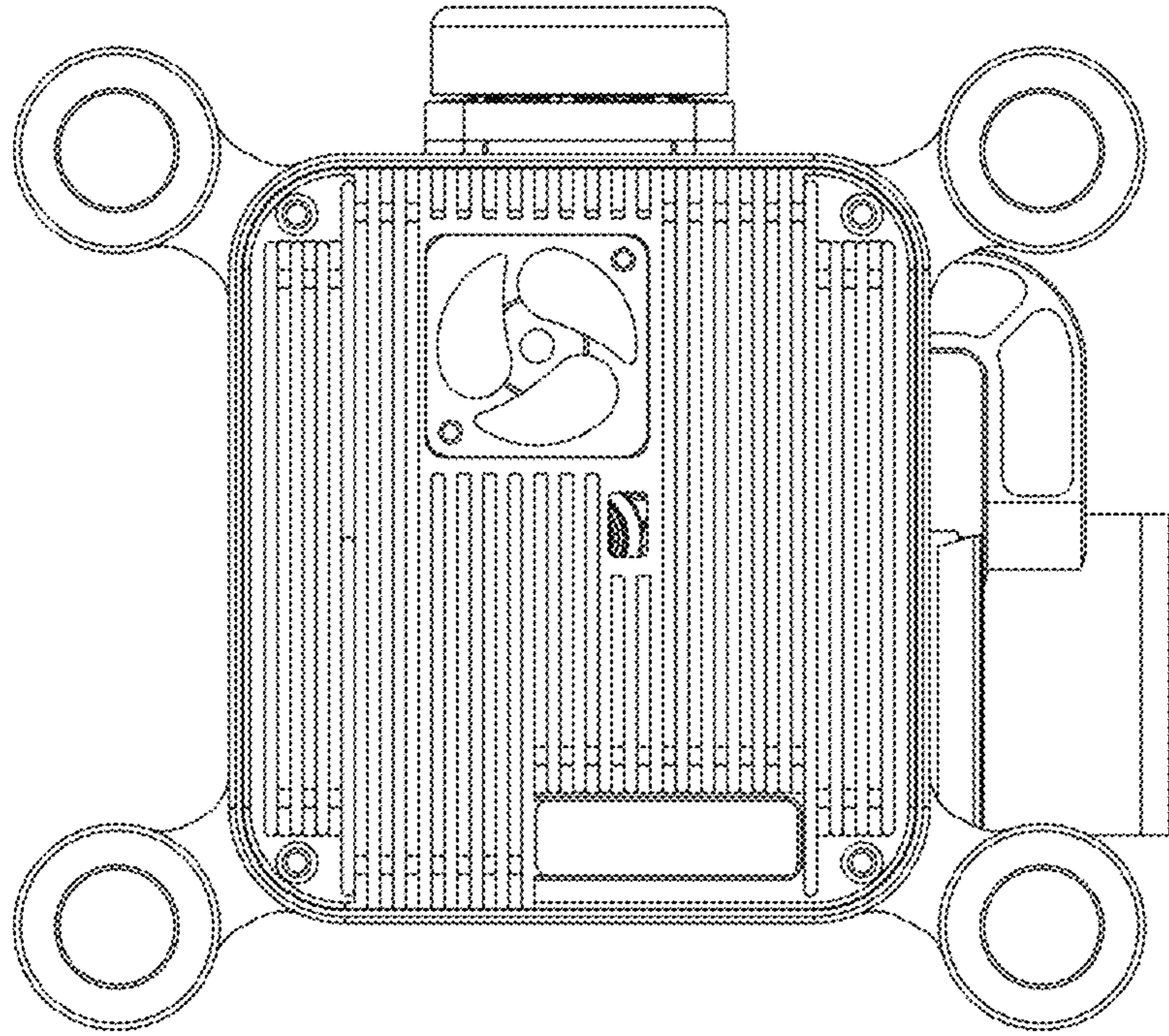


FIG.5

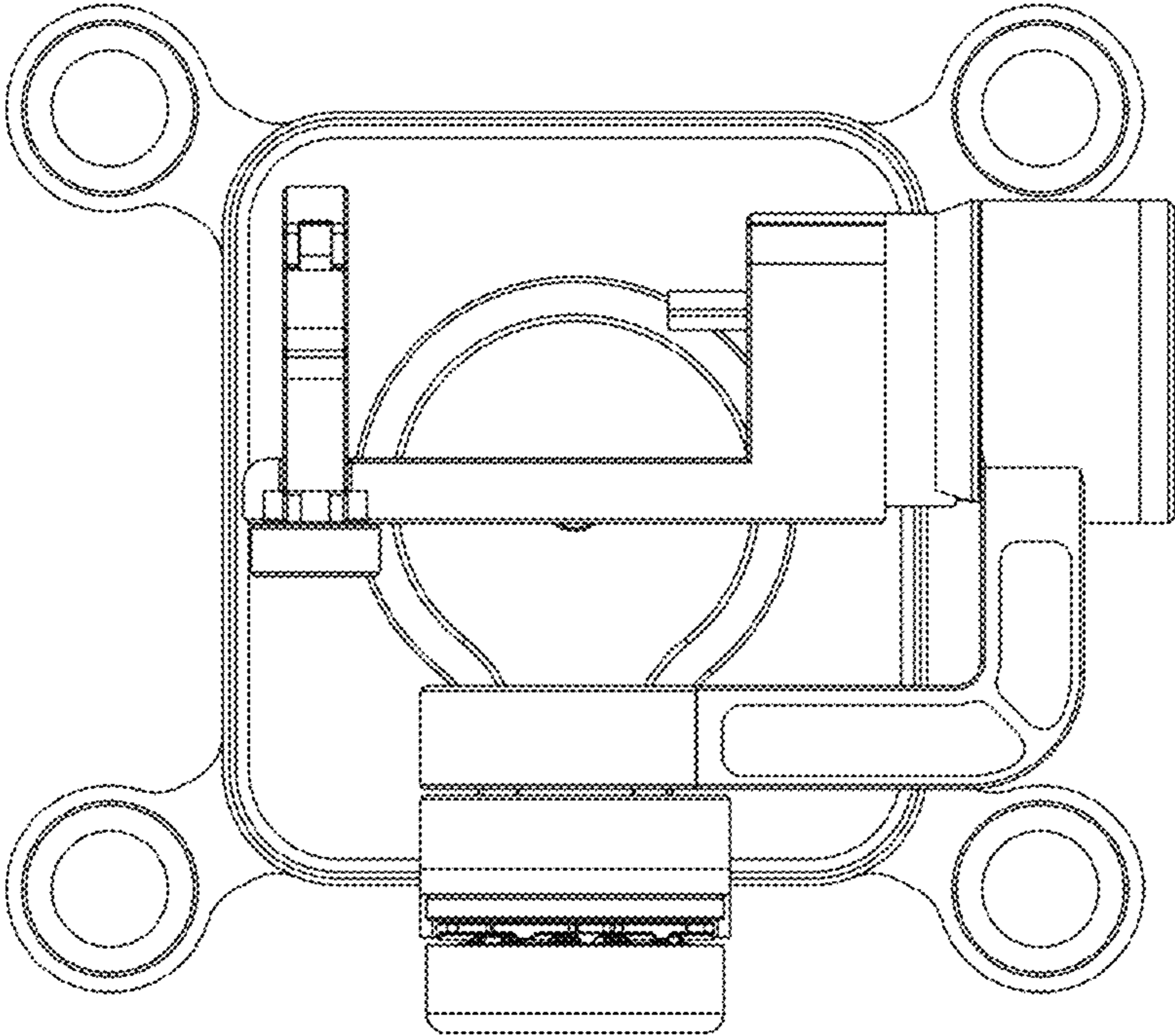


FIG.6



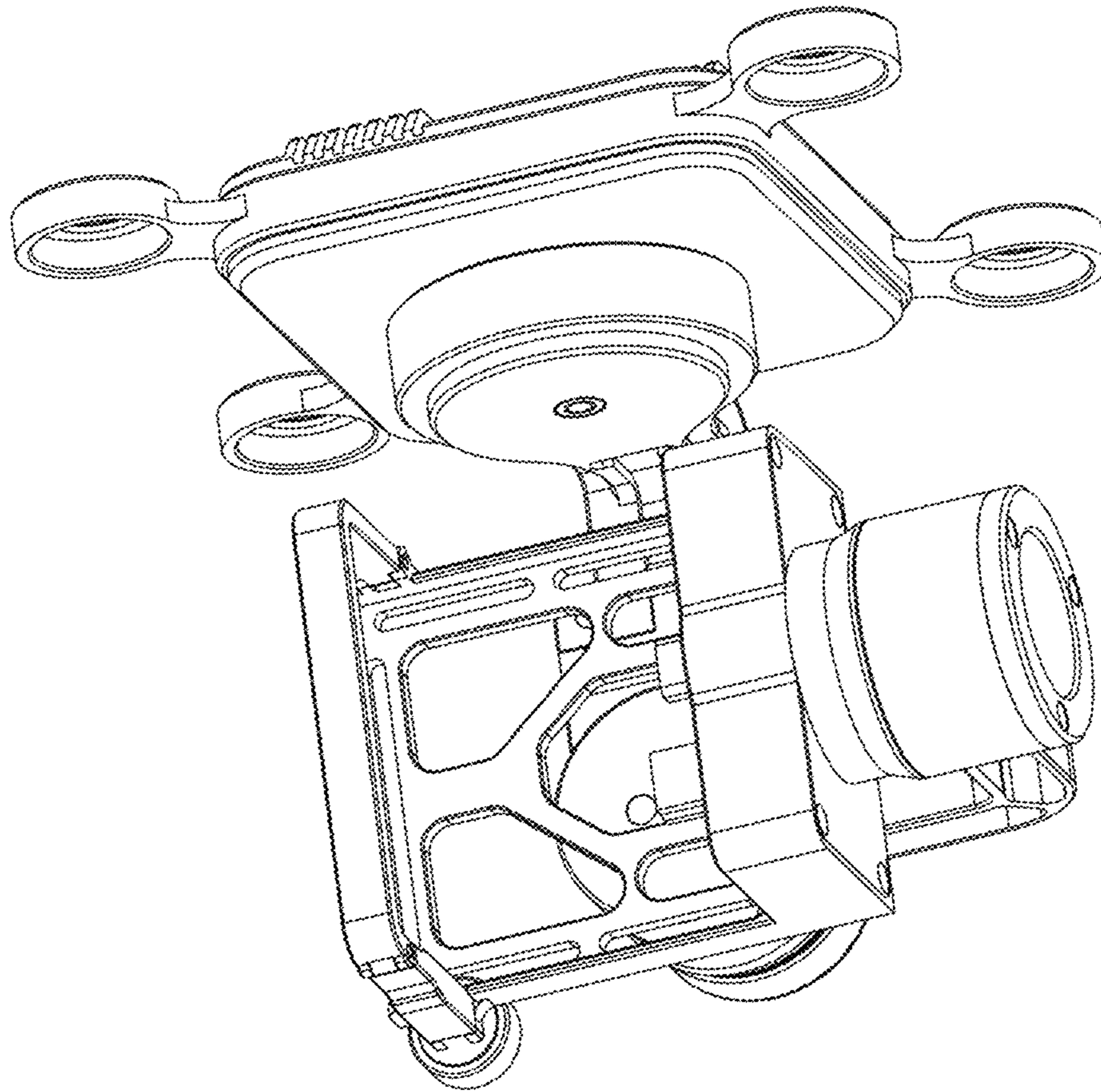


FIG.7