



US00D915491S

(12) **United States Design Patent**
Isozaki

(10) **Patent No.:** **US D915,491 S**

(45) **Date of Patent:** **** Apr. 6, 2021**

(54) **LENS FOR CAMERA**

(71) Applicant: **FUJIFILM Corporation**, Tokyo (JP)

(72) Inventor: **Makoto Isozaki**, Saitama (JP)

(73) Assignee: **FUJIFILM Corporation**, Tokyo (JP)

(**) Term: **15 Years**

(21) Appl. No.: **29/698,149**

(22) Filed: **Jul. 15, 2019**

(30) **Foreign Application Priority Data**

Feb. 7, 2019 (JP) 2019-002491

(51) **LOC (13) Cl.** **16-05**

(52) **U.S. Cl.**
USPC **D16/219**

(58) **Field of Classification Search**
USPC D16/134, 136, 200, 202-205, 218, 219,
D16/235, 242; 348/373-376;
359/826-828; 396/529-532, 535,
396/539-541

CPC G03B 17/02; G03B 19/04; G03B 17/56;
G03B 17/04; G03B 15/03; G03B 17/14;
H04N 5/2251; H04N 5/2252; H04N
5/2253; H04N 5/2254; G02B 7/02; G02B
7/04; G02B 7/14

See application file for complete search history.

(56) **References Cited**

U.S. PATENT DOCUMENTS

D412,922 S * 8/1999 Sekine D16/134
D420,029 S * 2/2000 Kimura D16/134

D441,382 S * 5/2001 Konno D16/134
D562,864 S * 2/2008 Yasutomi D16/134
D802,045 S * 11/2017 Chalenko D16/219
D837,276 S * 1/2019 Ikegame D16/219
D857,080 S * 8/2019 Kamei D16/219
D857,778 S * 8/2019 Sakai D16/219
D867,430 S * 11/2019 Ikegame D16/219
D871,487 S * 12/2019 Sakai D16/219
D873,327 S * 1/2020 Weber D16/219
D882,668 S * 4/2020 Ikegame D16/219
D884,057 S * 5/2020 Weber D16/219

* cited by examiner

Primary Examiner — Ramzi S Almatrahi

(74) *Attorney, Agent, or Firm* — Studebaker & Brackett
PC

(57) **CLAIM**

The ornamental design for a lens for camera, as shown and described.

DESCRIPTION

FIG. 1 is a top, front and left side perspective view of a lens for camera showing my new design;
FIG. 2 is a front view thereof;
FIG. 3 is a rear view thereof;
FIG. 4 is a top plan view thereof;
FIG. 5 is a bottom plan view thereof;
FIG. 6 is a right side view thereof; and,
FIG. 7 is a left side view thereof.

The broken lines illustrate portions of the lens for camera and form no part of the claimed design.

1 Claim, 4 Drawing Sheets

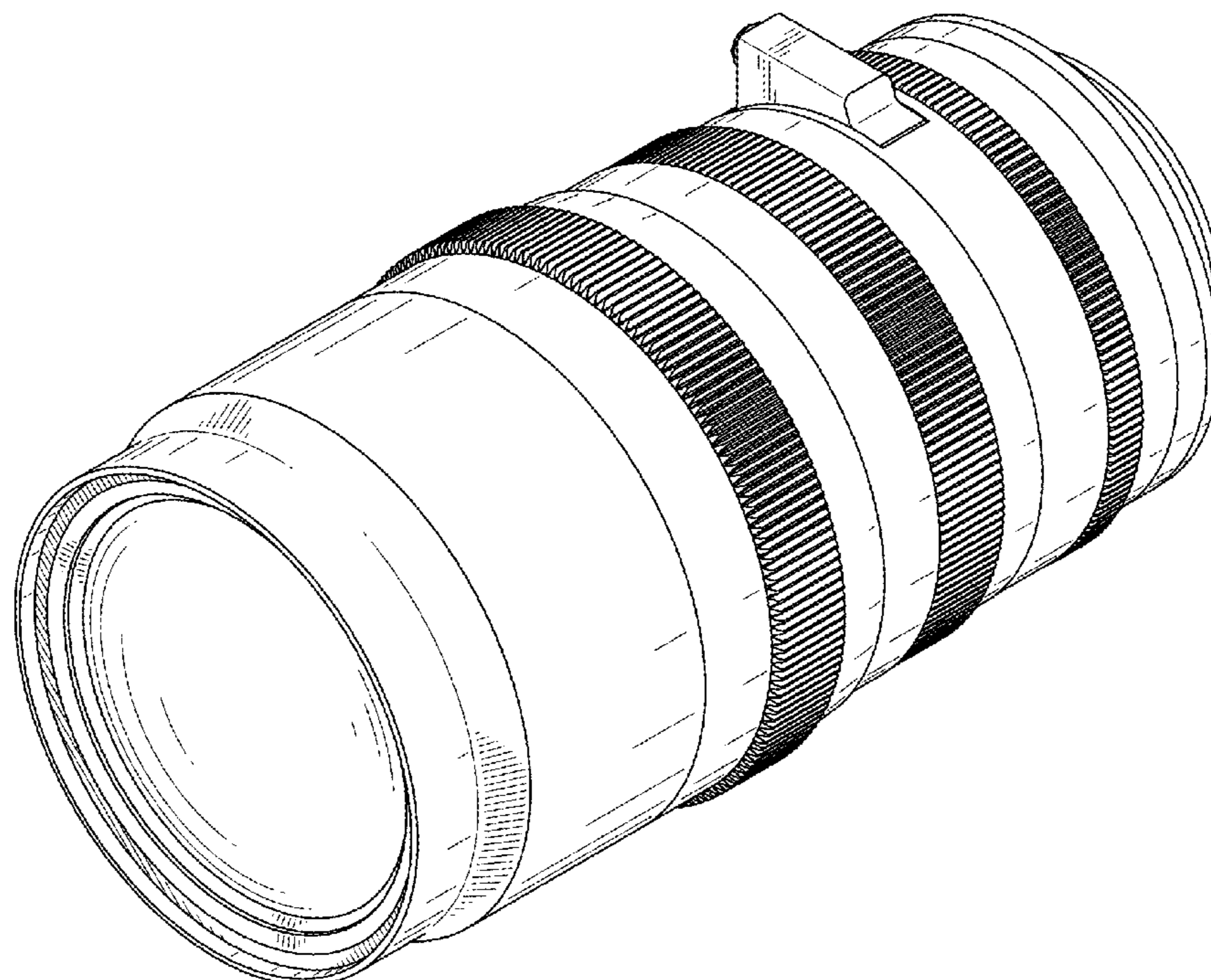


FIG. 1

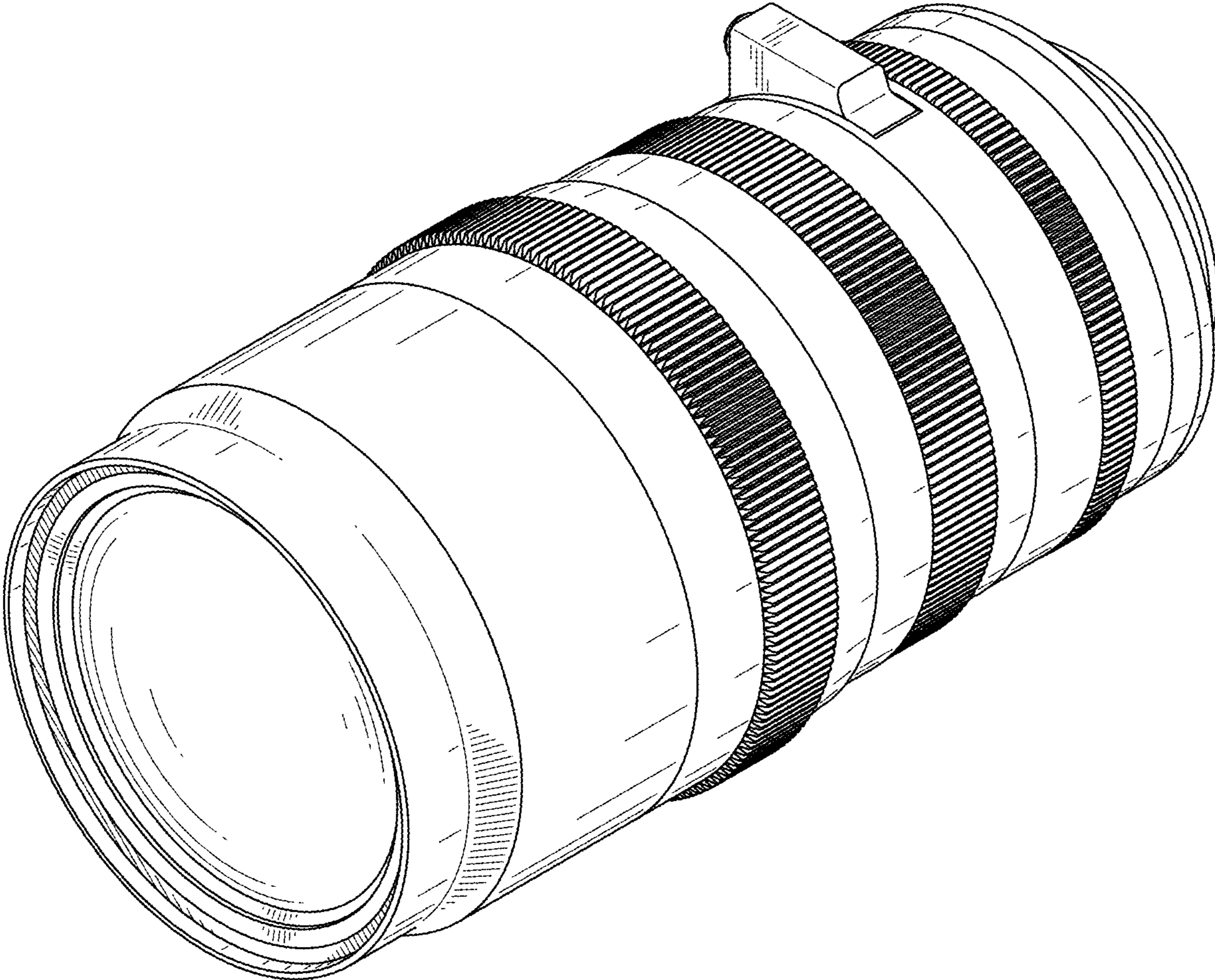


FIG. 2

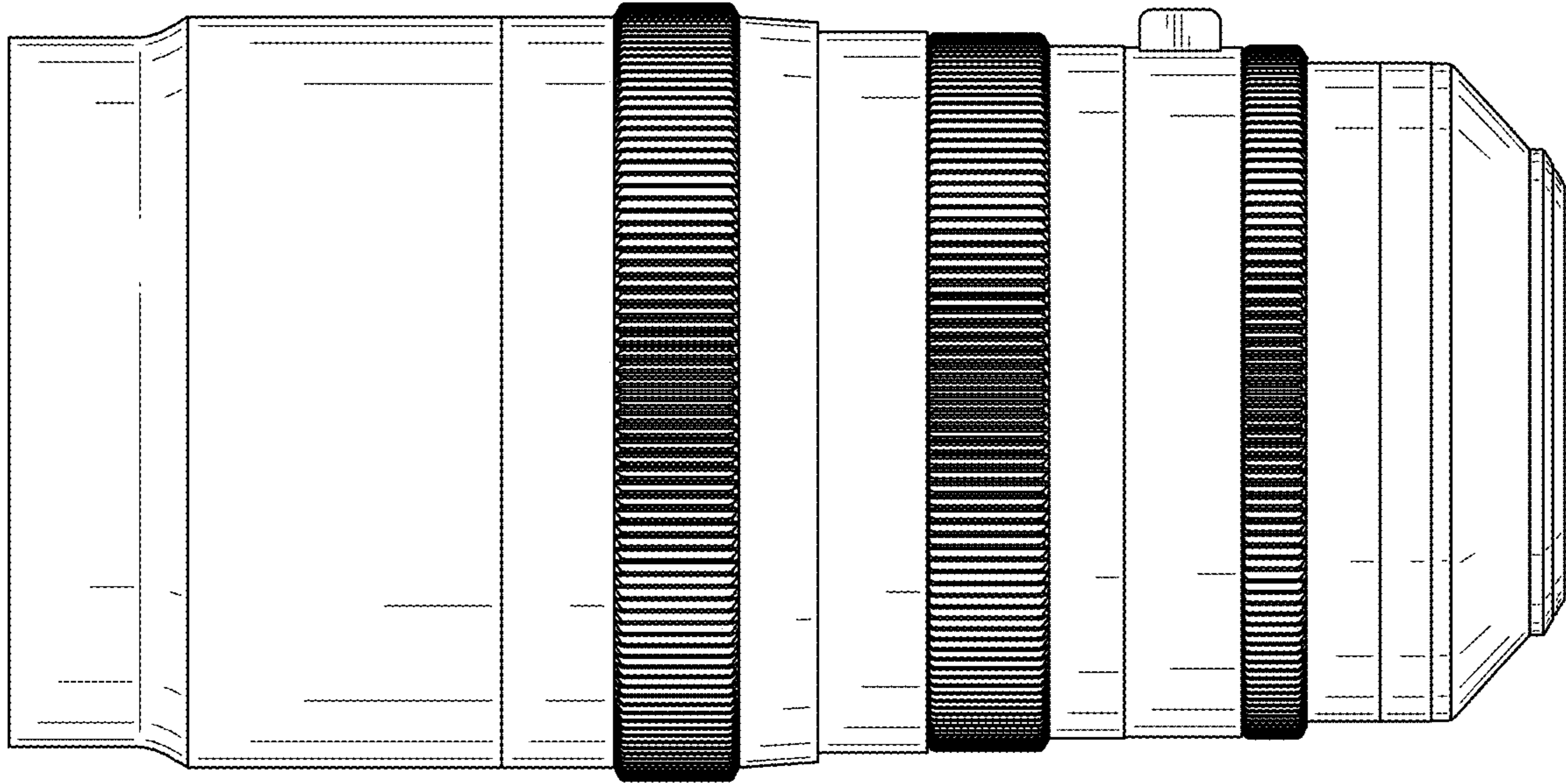


FIG. 3

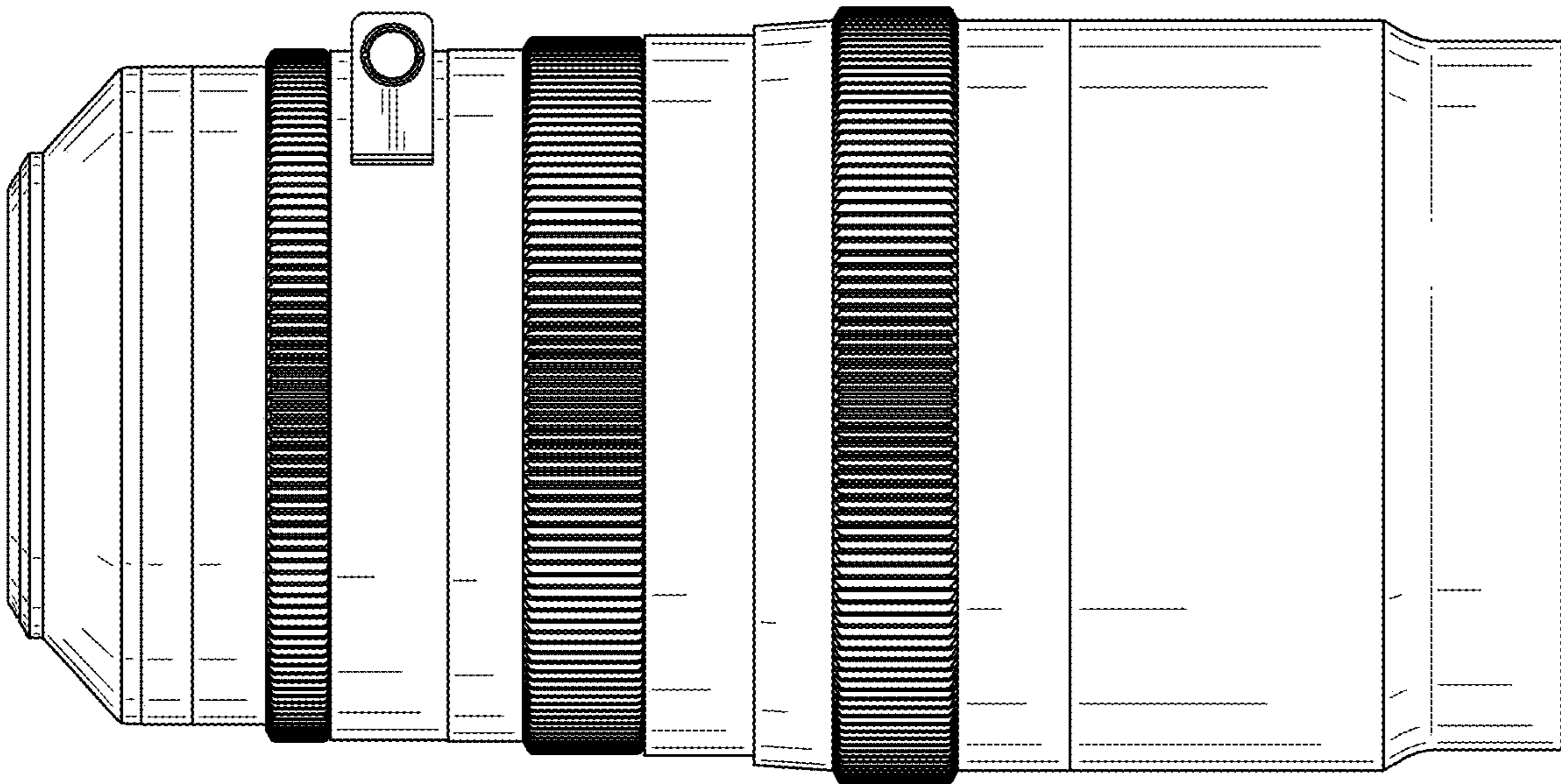


FIG. 4

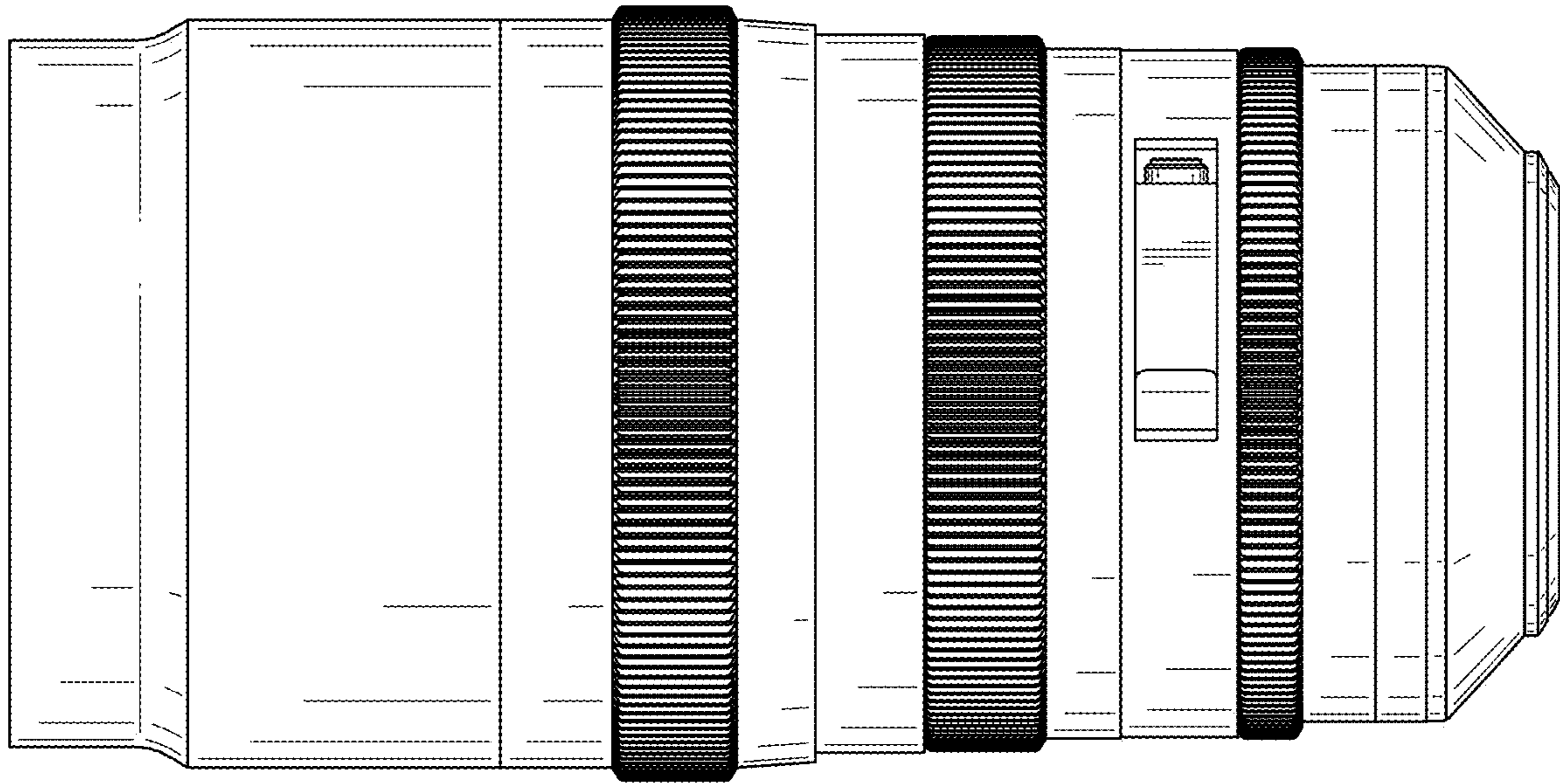


FIG. 5

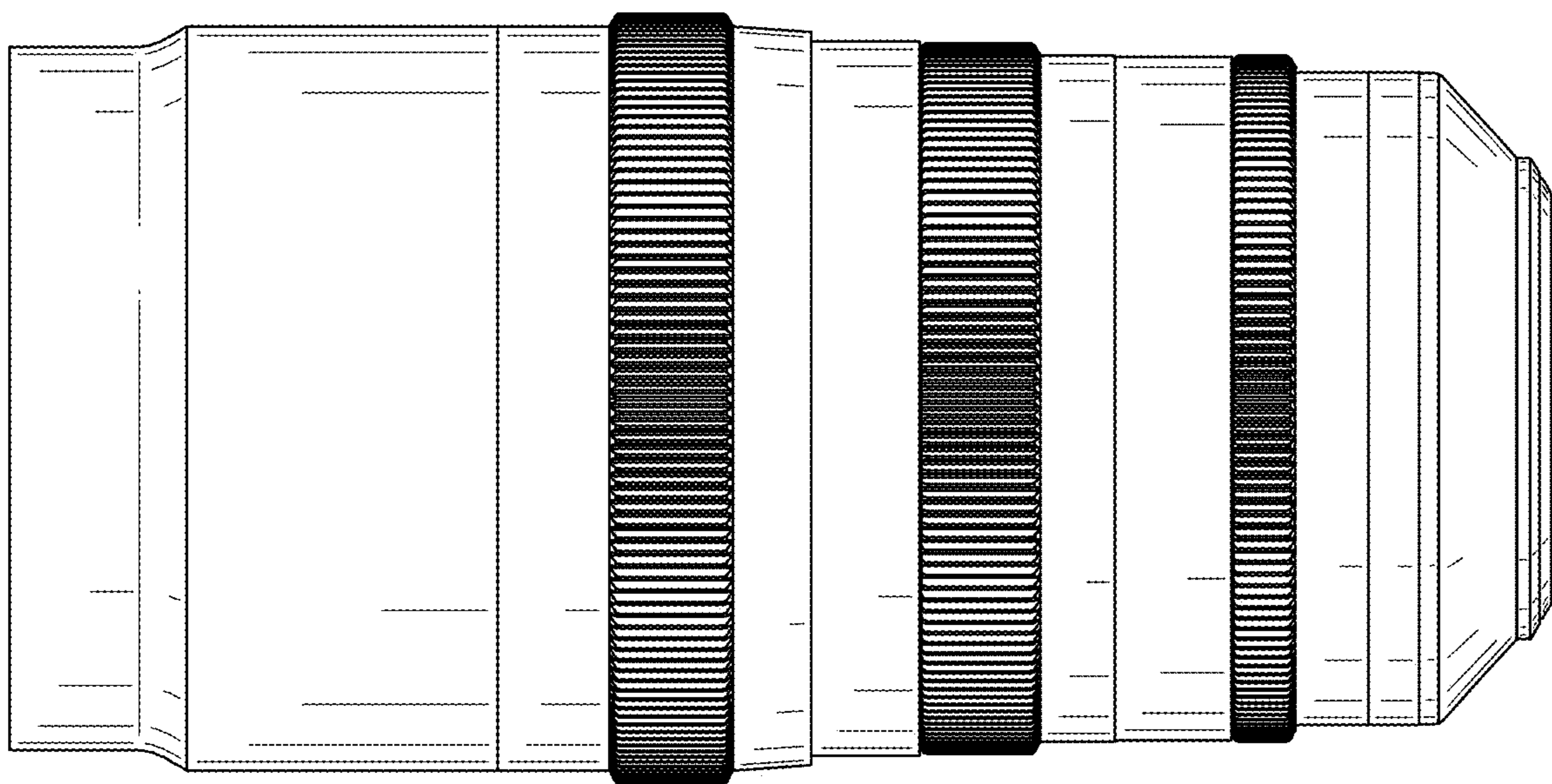


FIG. 6

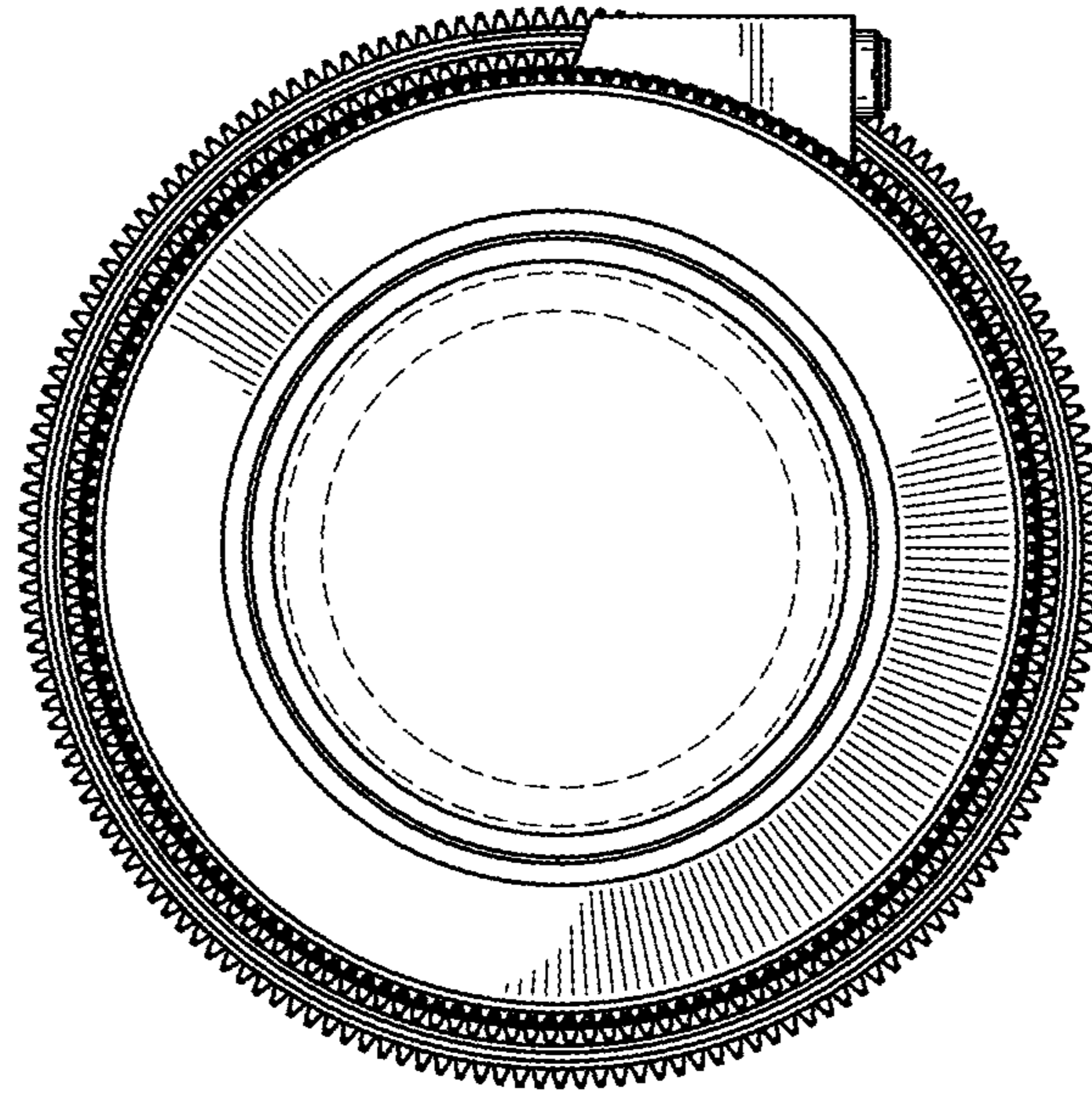


FIG. 7

