



US00D915490S

(12) **United States Design Patent** (10) **Patent No.:** **US D915,490 S**  
**Grant et al.** (45) **Date of Patent:** **\*\* \*Apr. 6, 2021**

(54) **DASH CAM**  
(71) Applicant: **Portable Multimedia Limited**, West End (GB)  
(72) Inventors: **Robert Grant**, West End (GB); **Graham Lambert**, West End (GB); **Ceri Hill**, West End (GB)

D849,817 S \* 5/2019 Wang ..... D16/218  
D852,255 S \* 6/2019 Guo ..... D16/202  
D854,597 S \* 7/2019 Gao ..... D16/202  
D857,076 S \* 8/2019 Gan ..... D16/202  
D867,420 S \* 11/2019 Zhang ..... D16/202  
D868,725 S \* 12/2019 Zhou ..... D14/167  
D870,183 S \* 12/2019 Tsukamoto ..... D16/218  
D875,803 S \* 2/2020 Yuan ..... D16/202  
2013/0004152 A1\* 1/2013 Imafuji ..... G03B 15/02  
396/155

(73) Assignee: **PORTABLE MULTIMEDIA LIMITED**, Surrey (GB)

**FOREIGN PATENT DOCUMENTS**

(\* ) Notice: This patent is subject to a terminal disclaimer.

GB 2570951 A 8/2019

(\*\*) Term: **15 Years**

**OTHER PUBLICATIONS**

(21) Appl. No.: **29/693,282**

www.tmdn.org, "CN 201630177694.6", dated May 13, 2016, 3 pages.

(22) Filed: **May 31, 2019**

(Continued)

(30) **Foreign Application Priority Data**

Dec. 14, 2018 (GB) ..... 6050019

(51) **LOC (13) Cl.** ..... **16-01**

(52) **U.S. Cl.**  
USPC ..... **D16/208**; D16/218

(58) **Field of Classification Search**  
USPC ..... D16/200, 202-210, 212, 218, 219;  
348/373-376; 396/448, 535, 539-541  
CPC ..... G03B 15/03; G03B 17/02; G03B 17/04;  
G03B 17/56; G03B 19/04; H04N 5/2251;  
H04N 5/2252; H04N 5/2253; H04N  
5/2254; H04N 2101/00

See application file for complete search history.

(56) **References Cited**

**U.S. PATENT DOCUMENTS**

D747,386 S \* 1/2016 Li ..... D16/208  
D772,966 S \* 11/2016 Song ..... D16/200  
D848,508 S \* 5/2019 Hsu ..... D16/218  
D849,084 S \* 5/2019 Hu ..... D16/202

*Primary Examiner* — Ramzi S Almatrahi  
(74) *Attorney, Agent, or Firm* — Hickman Becker Bingham Ledesma LLP; Malgorzata A. Kulczycka

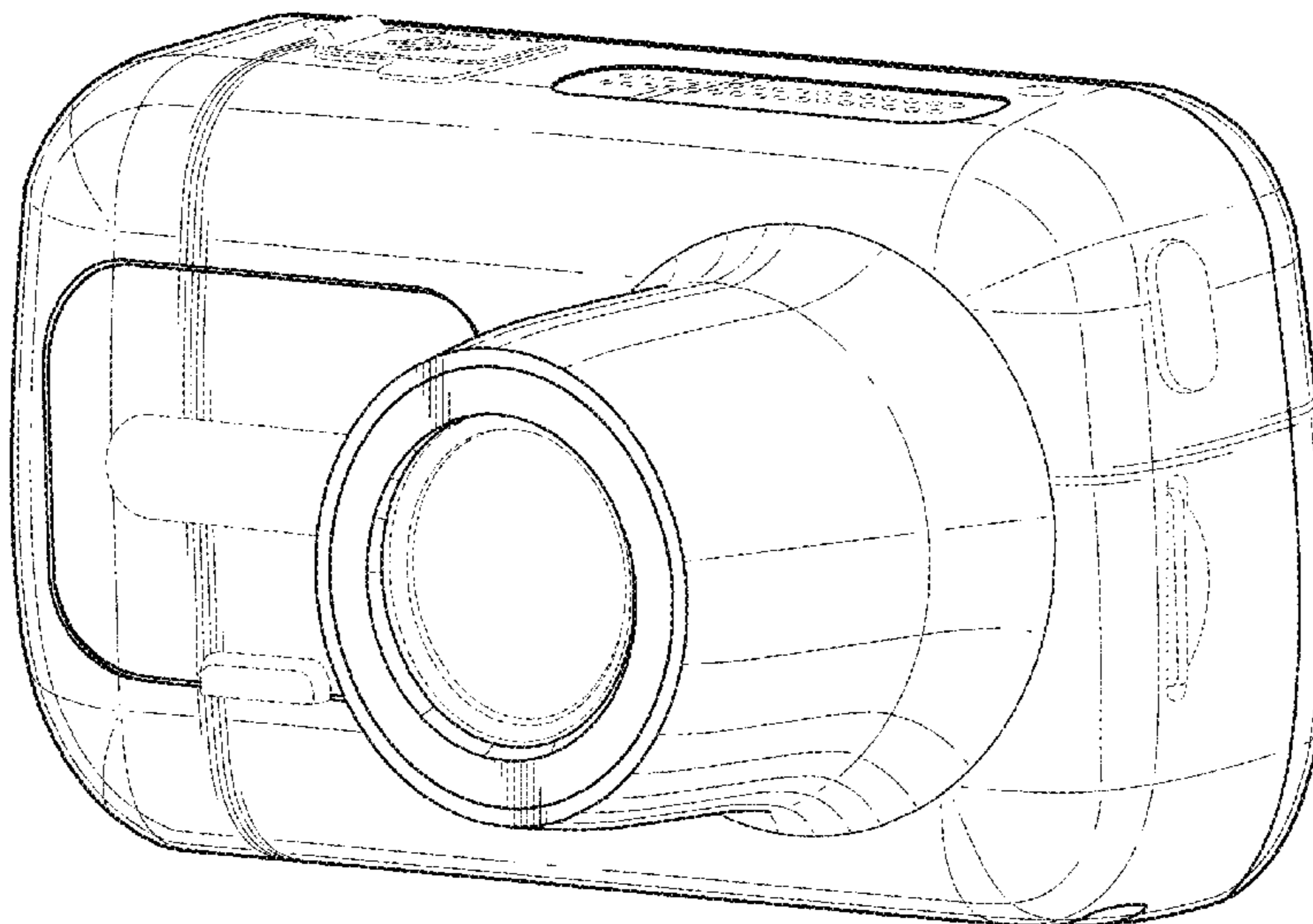
(57) **CLAIM**

The ornamental design for a dash cam, as shown and described.

**DESCRIPTION**

FIG. 1 is a front elevation view of a dash cam showing our new design;  
FIG. 2 is a rear elevation view thereof;  
FIG. 3 is a left side elevation view thereof;  
FIG. 4 is a right side elevation view thereof;  
FIG. 5 is a bottom plan view thereof;  
FIG. 6 is a top plan view thereof; and,  
FIG. 7 is an enlarged scale front and right side perspective view thereof.  
The broken lines depict portions of the dash cam in which the design is embodied that form no part of the claimed design.

**1 Claim, 7 Drawing Sheets**



(56)

**References Cited**

OTHER PUBLICATIONS

WIPO Global Design Database, “European Designs 002837930-0001—Recorders”, <https://www3.wipo.int/designdb/en/index.jsp#>, last viewed on Oct. 18, 2019, 3 pages.

WIPO Global Design Database, “Dashboard Cameras”, 005231636-0006, <https://www3.wipo.int/designdb/en/index.jsp#>, last viewed on Oct. 18, 2019, 3 pages.

WIPO Global Design Database, “Dashboard Cameras”, 005231636-0003, <https://www3.wipo.int/designdb/en/index.jsp#> last viewed on Oct. 18, 2019, 3 pages.

WIPO Global Design Database, “Dashboard Cameras”, 005231636-0002, <https://www3.wipo.int/designdb/en/index.jsp#>, last viewed on Oct. 18, 2019, 3 pages.

WIPO Global Database, “European Designs 002837914-0001”, <https://www3.wipo.int/designdb/en/index.jsp#>, last viewed on Oct. 18, 2019, 3 pages.

Gov.UK, “Design No. 6002431”, Registration date Nov. 2, 2016, <https://www.registered-design.service.gov.uk/find/6002431>, last viewed on Oct. 18, 2019, 2 pages.

Design View, “Design CN 201530405546.0”, dated Oct. 20, 2015, 4 pages.

Design View, “Design CN 201530405545.6”, dated Oct. 20, 2015, 4 pages.

Design View, “CN 201630203541.4”, dated May 26, 2016, 4 pages.  
Grant, U.S. Appl. No. 29/693,284, filed May 31, 2019, Office Action, dated May 14, 2020.

Grant U.S. Appl. No. 29/693,297, filed May 31, 2019, Office Action, dated May 14, 2020.

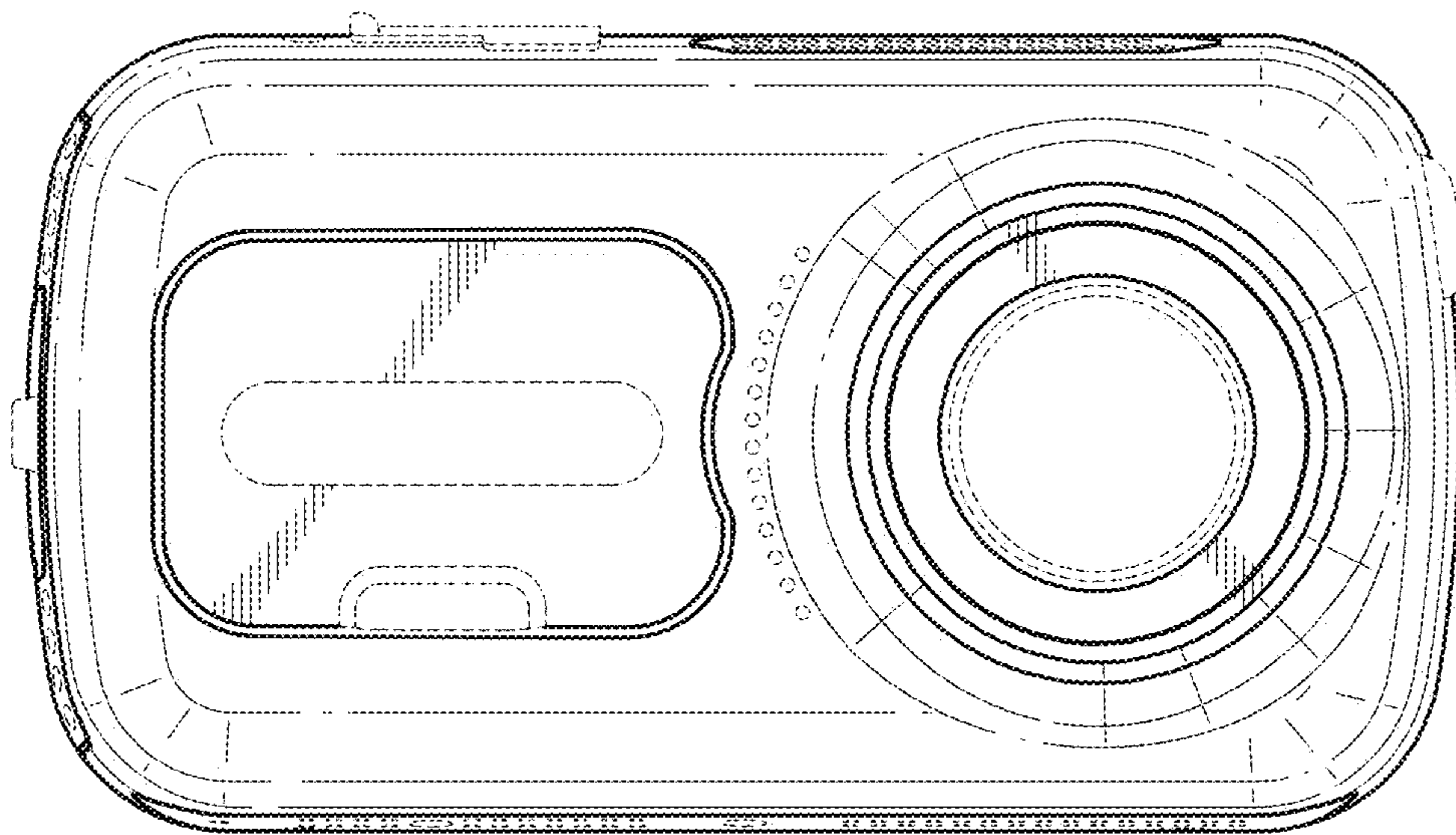
Grant U.S. Appl. No. 29/693,294, filed May 31, 2019, Office Action, dated May 14, 2020.

Grant, U.S. Appl. No. 29/693,297, filed May 31, 2019, Notice of Allowance, dated Oct. 8, 2020.

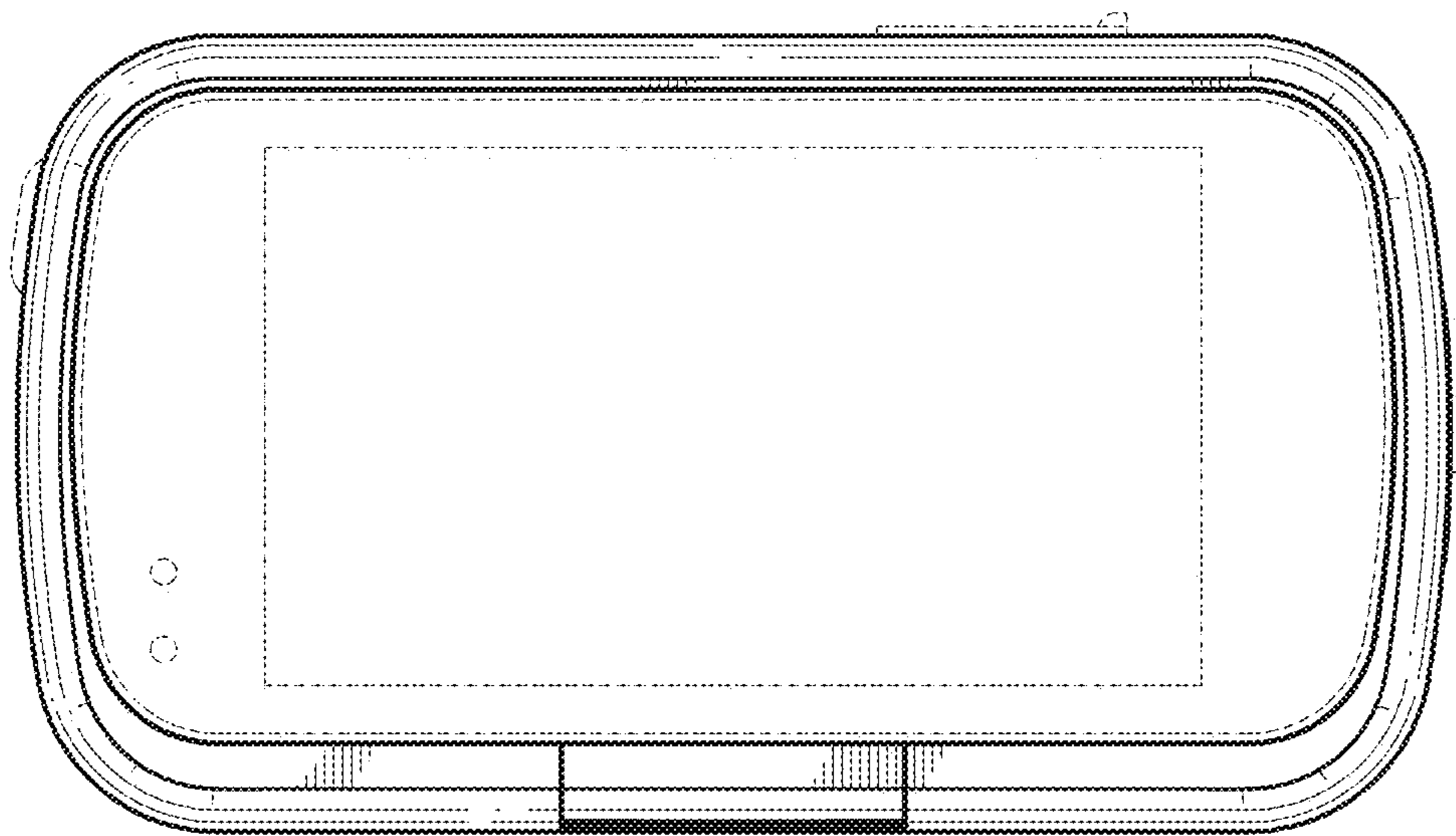
Grant, U.S. Appl. No. 29/693,294, filed May 31, 2019, Notice of Allowance, dated Oct. 13, 2020.

Grant, U.S. Appl. No. 29/693,284, filed May 31, 2019, Notice of Allowance, dated Oct. 8, 2020.

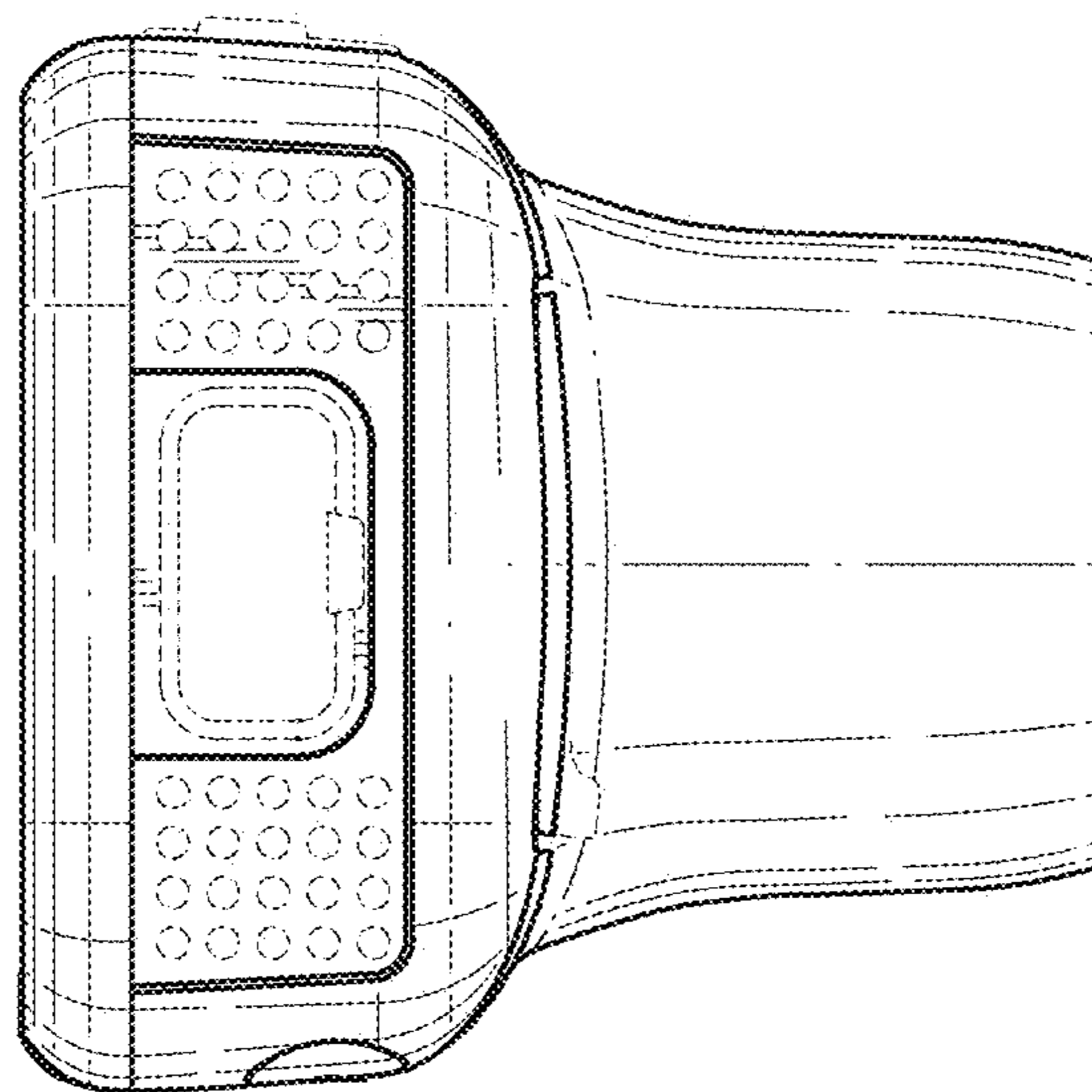
\* cited by examiner



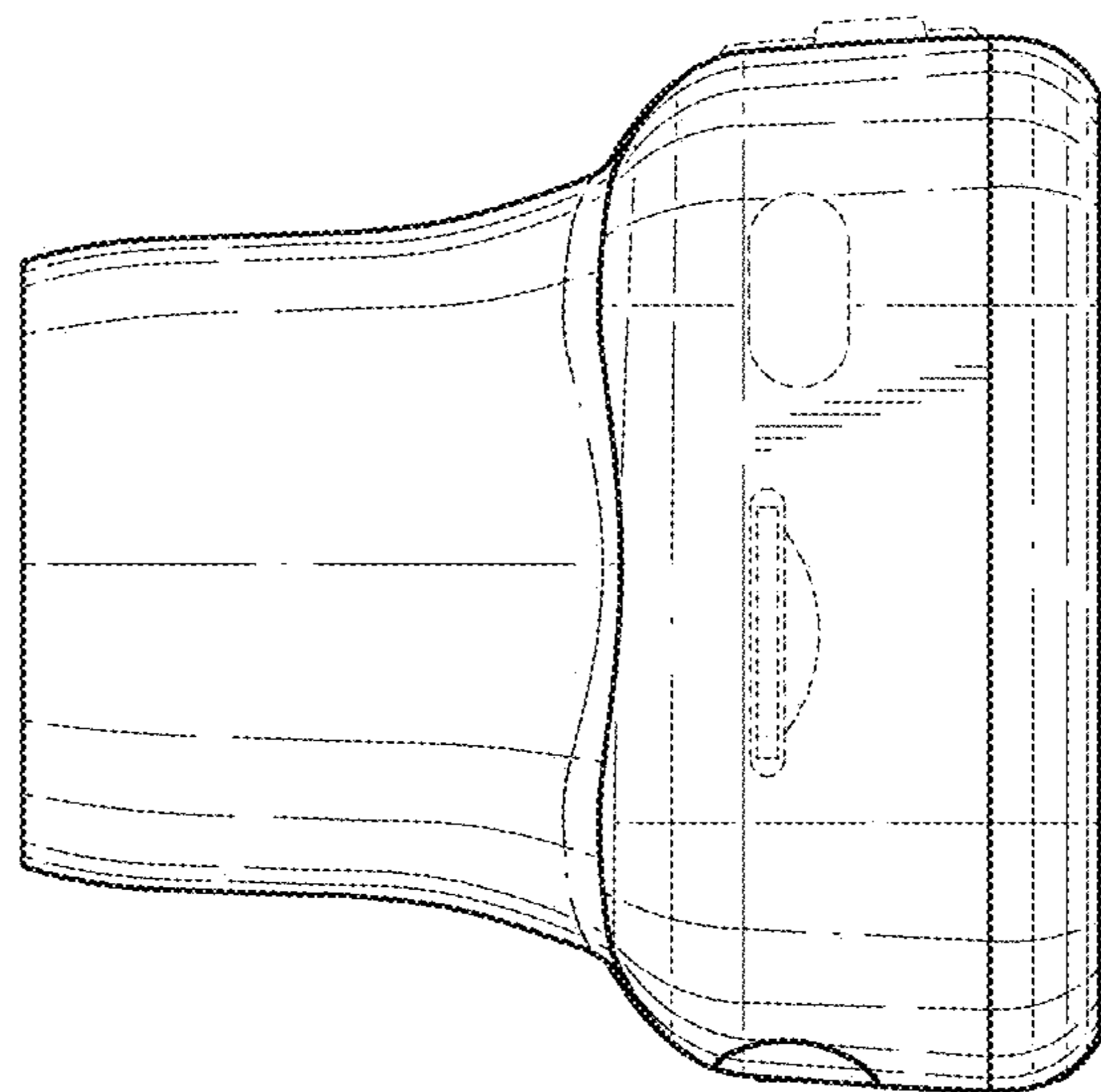
**FIG. 1**



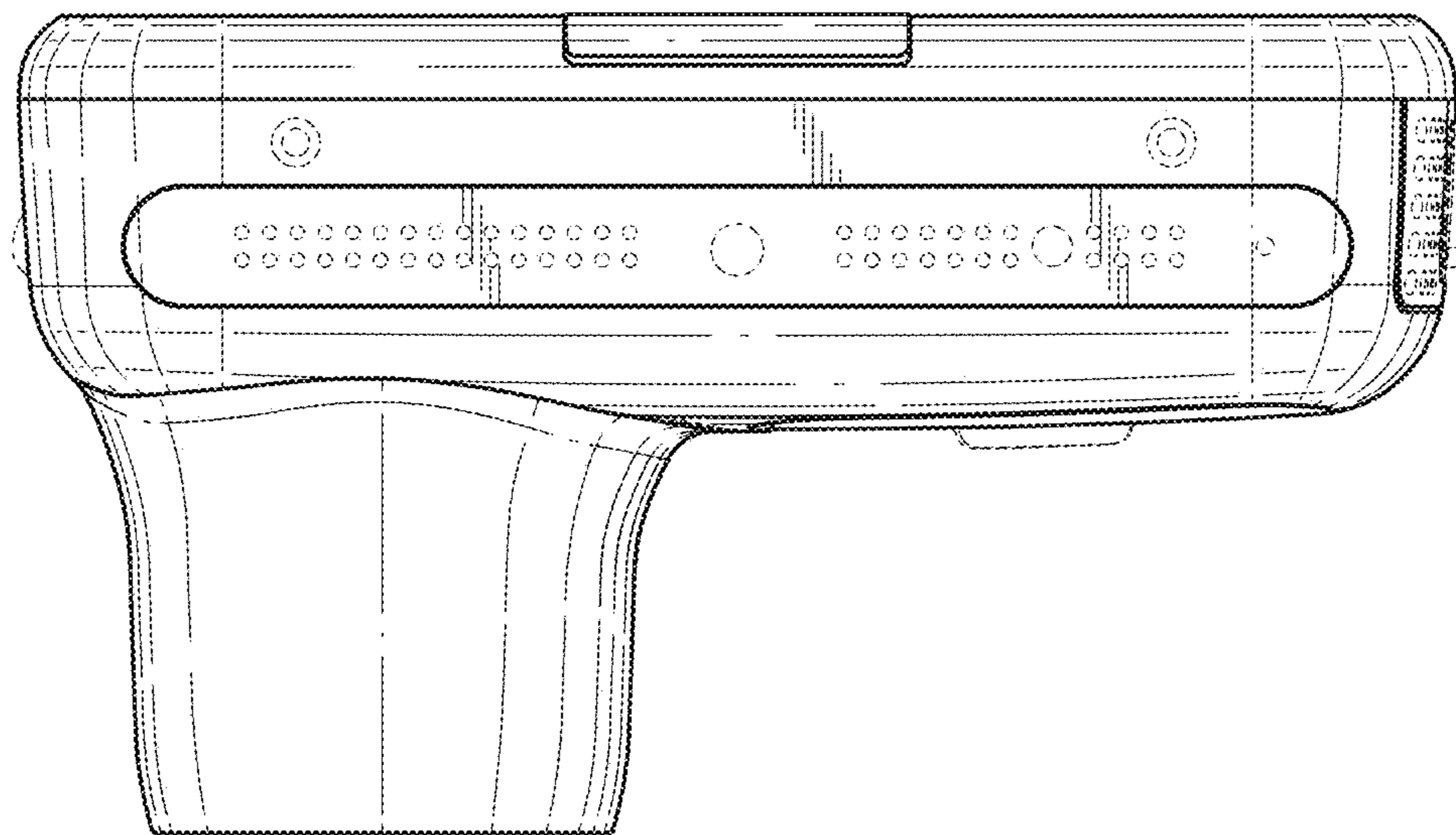
*FIG. 2*



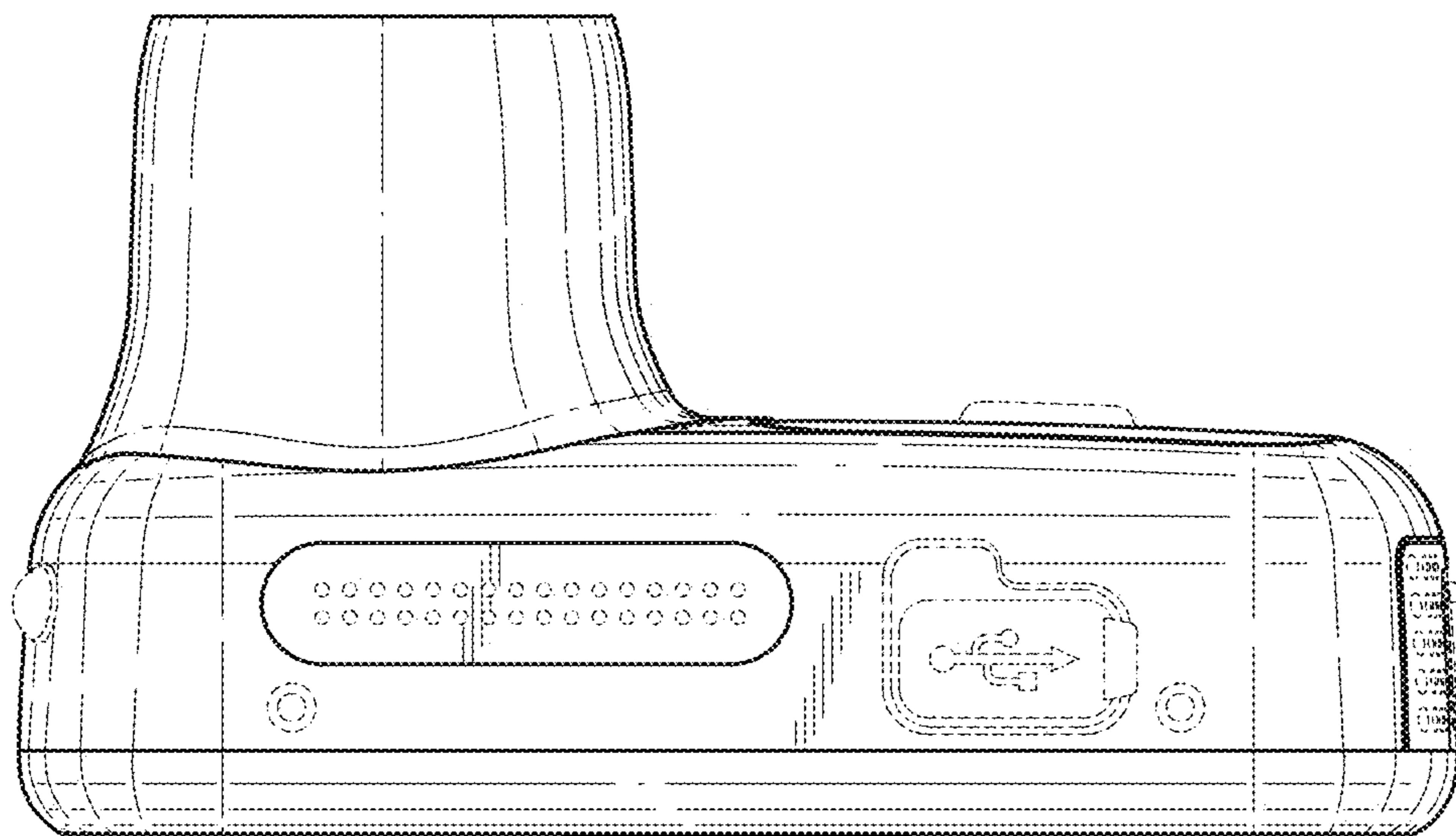
*FIG. 3*



**FIG. 4**

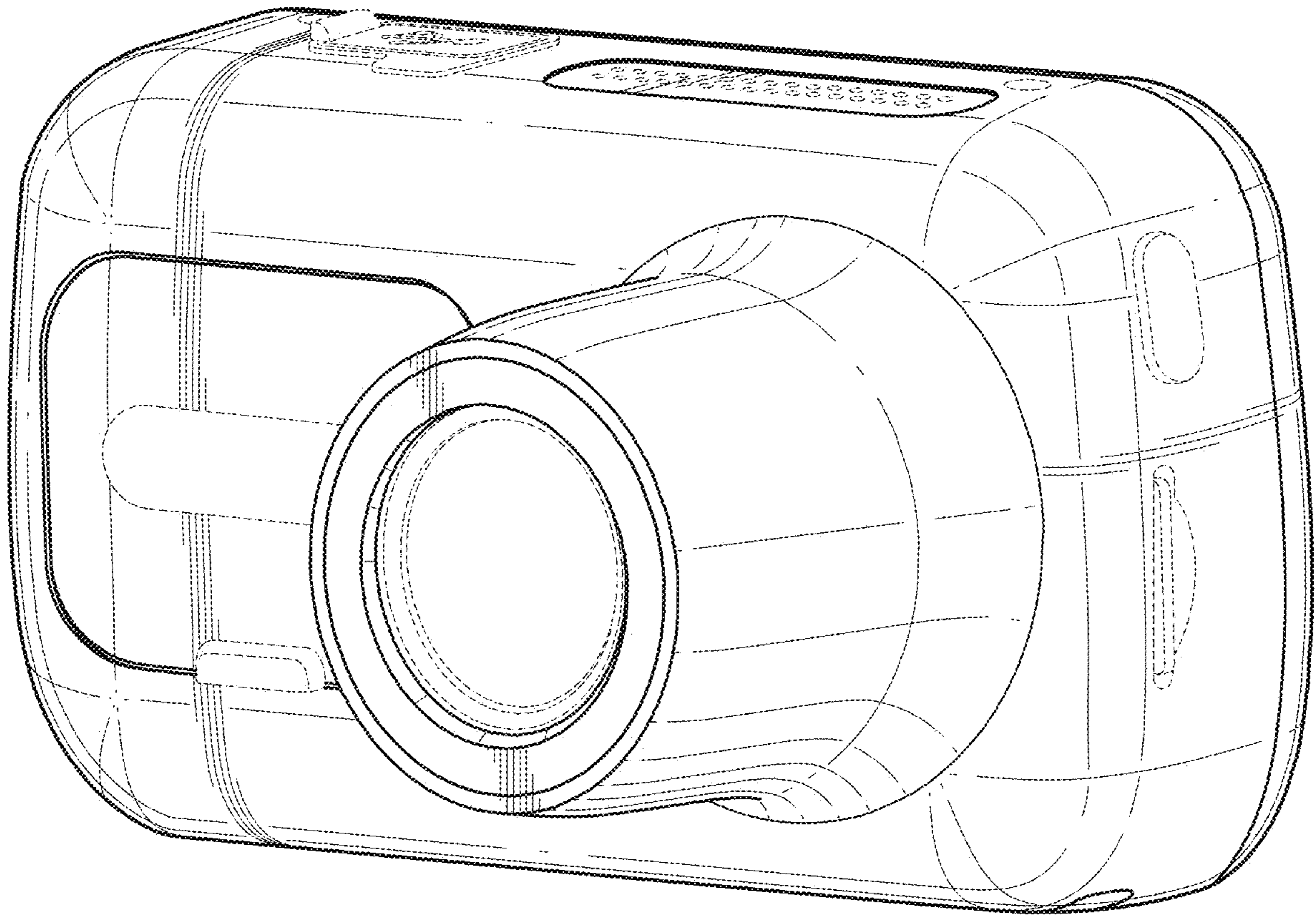


*FIG. 5*



**FIG. 6**





**FIG. 7**