



US00D915489S

(12) **United States Design Patent**
Qi

(10) **Patent No.:** **US D915,489 S**

(45) **Date of Patent:** **** Apr. 6, 2021**

(54) **HUNTING CAMERA**

(71) Applicant: **SY Electronic Technical Co., Ltd.,**
Guangdong (CN)

(72) Inventor: **Xiaochen Qi,** Guangdong (CN)

(73) Assignee: **SY Electronic Technical Co., Ltd.,**
Shenzhen (CN)

(**) Term: **15 Years**

(21) Appl. No.: **29/707,925**

(22) Filed: **Oct. 2, 2019**

(30) **Foreign Application Priority Data**

May 29, 2019 (CN) 201930271087.X

(51) **LOC (13) Cl.** **16-01**

(52) **U.S. Cl.**
USPC **D16/203; D16/218**

(58) **Field of Classification Search**
USPC D16/200, 202–206, 218, 219, 242;
348/143, 148, 151, 155, 164, 373–376;
396/419, 427, 535, 539–541
CPC G03B 17/02; G03B 19/04; G03B 17/56;
G03B 17/04; G03B 15/03; H04N 5/2251;
H04N 5/2252; H04N 5/2253; H04N
5/2254; H04N 7/181; H04N 7/183; H04N
7/18; G08B 13/1963; G08B 13/19619;
G08B 13/19632; G08B 13/19602; G08B
13/19634; F16M 11/04; F16M 13/00
See application file for complete search history.

(56) **References Cited**

U.S. PATENT DOCUMENTS

7,534,056 B2 * 5/2009 Cross F16M 11/10
348/143
D653,276 S * 1/2012 Schnell D16/218

D673,991 S * 1/2013 Schnell D16/218
D721,116 S * 1/2015 Schnell D16/219
D833,506 S * 11/2018 Chen D16/218
D865,023 S * 10/2019 Chen D16/203
D872,791 S * 1/2020 Chen D16/203
D874,537 S * 2/2020 Ye D16/203
D874,543 S * 2/2020 Yu D16/218
D874,546 S * 2/2020 Yu D16/218
D875,162 S * 2/2020 Yu D16/218
D880,555 S * 4/2020 Yu D16/203
D883,358 S * 5/2020 Ren D16/203
D883,359 S * 5/2020 Ren D16/203
D883,360 S * 5/2020 Ren D16/203

(Continued)

Primary Examiner — Ramzi S Almatrahi

(57) **CLAIM**

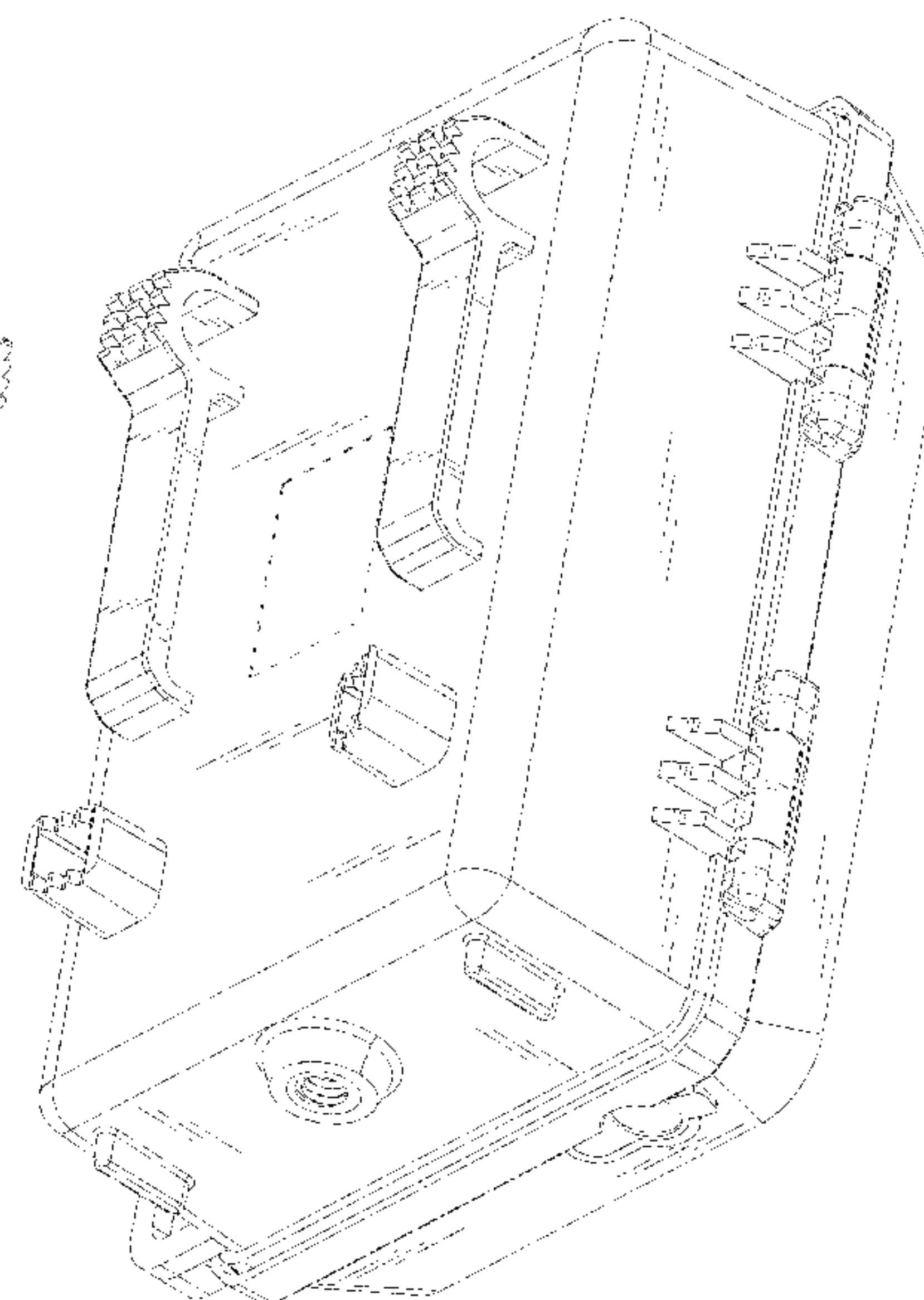
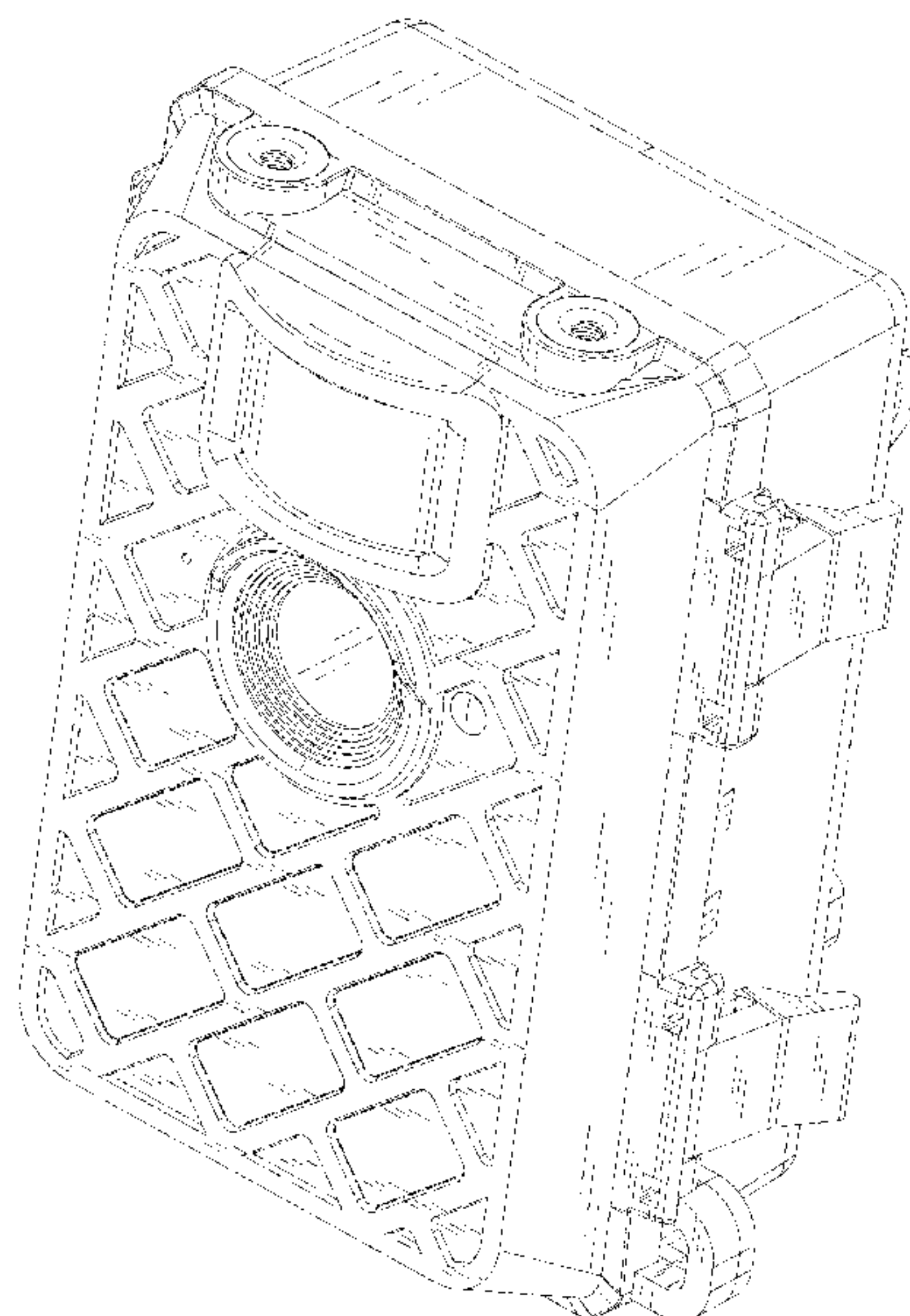
The ornamental design for a hunting camera, as shown and described.

DESCRIPTION

FIG. 1 is a front elevational view of a hunting camera showing my new design;
FIG. 2 is a rear elevational view thereof;
FIG. 3 is a left side elevational view thereof;
FIG. 4 is a right side elevational view thereof;
FIG. 5 is a top plan view thereof;
FIG. 6 is a bottom plan view thereof;
FIG. 7 is a front, top and right side perspective view thereof;
FIG. 8 is a rear, bottom and left side perspective view thereof;
FIG. 9 is a rear, bottom and right side perspective view thereof; and,
FIG. 10 is a front, bottom and left side perspective view thereof.

The broken lines in the drawings illustrate portions of the hunting camera which form no part of the claimed design. The oblique shade lines in the drawings represent a reflective surface.

1 Claim, 10 Drawing Sheets



(56)

References Cited

U.S. PATENT DOCUMENTS

D883,361 S * 5/2020 Ren D16/203
D903,736 S * 12/2020 Ye D16/203

* cited by examiner

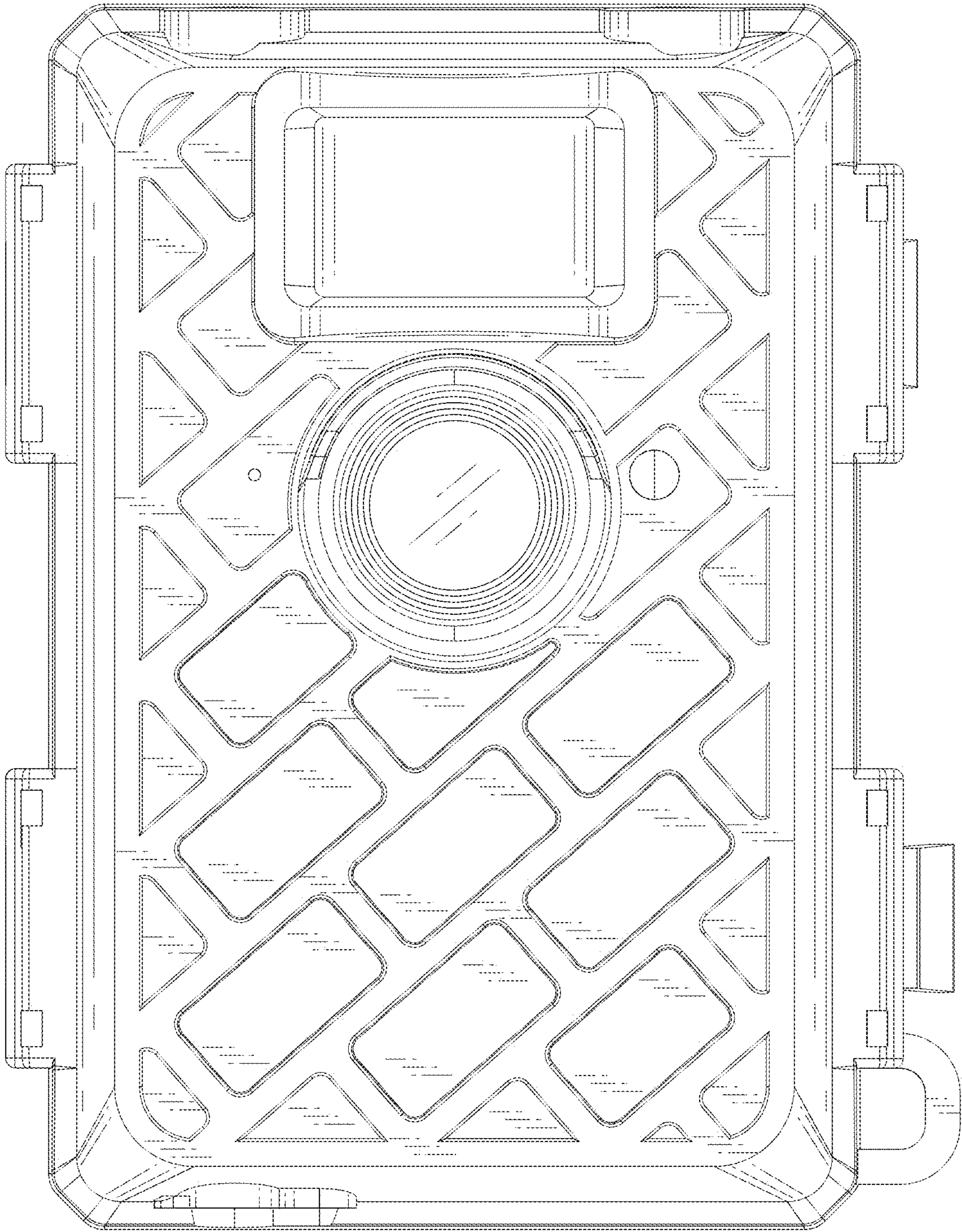


Fig. 1

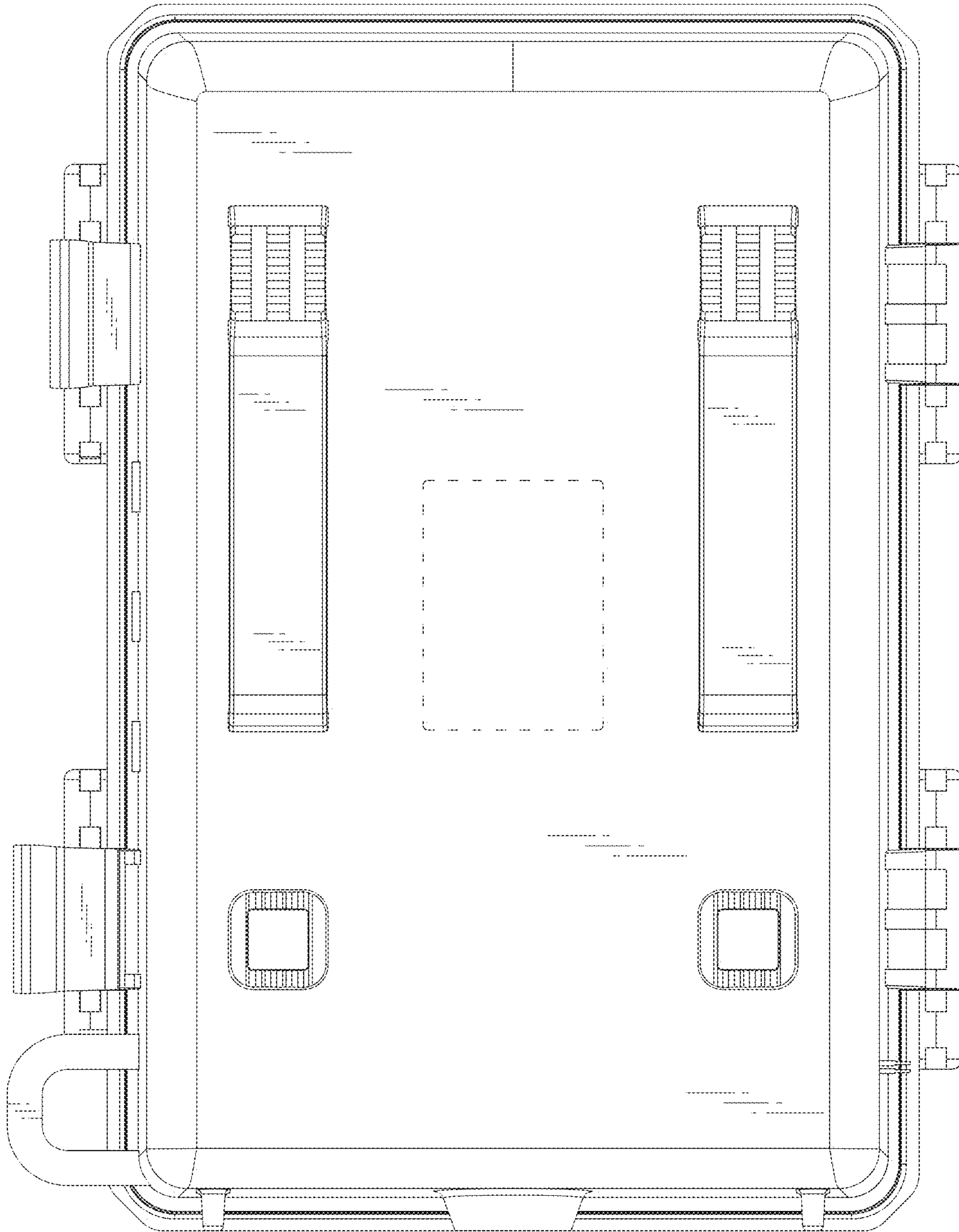


Fig. 2

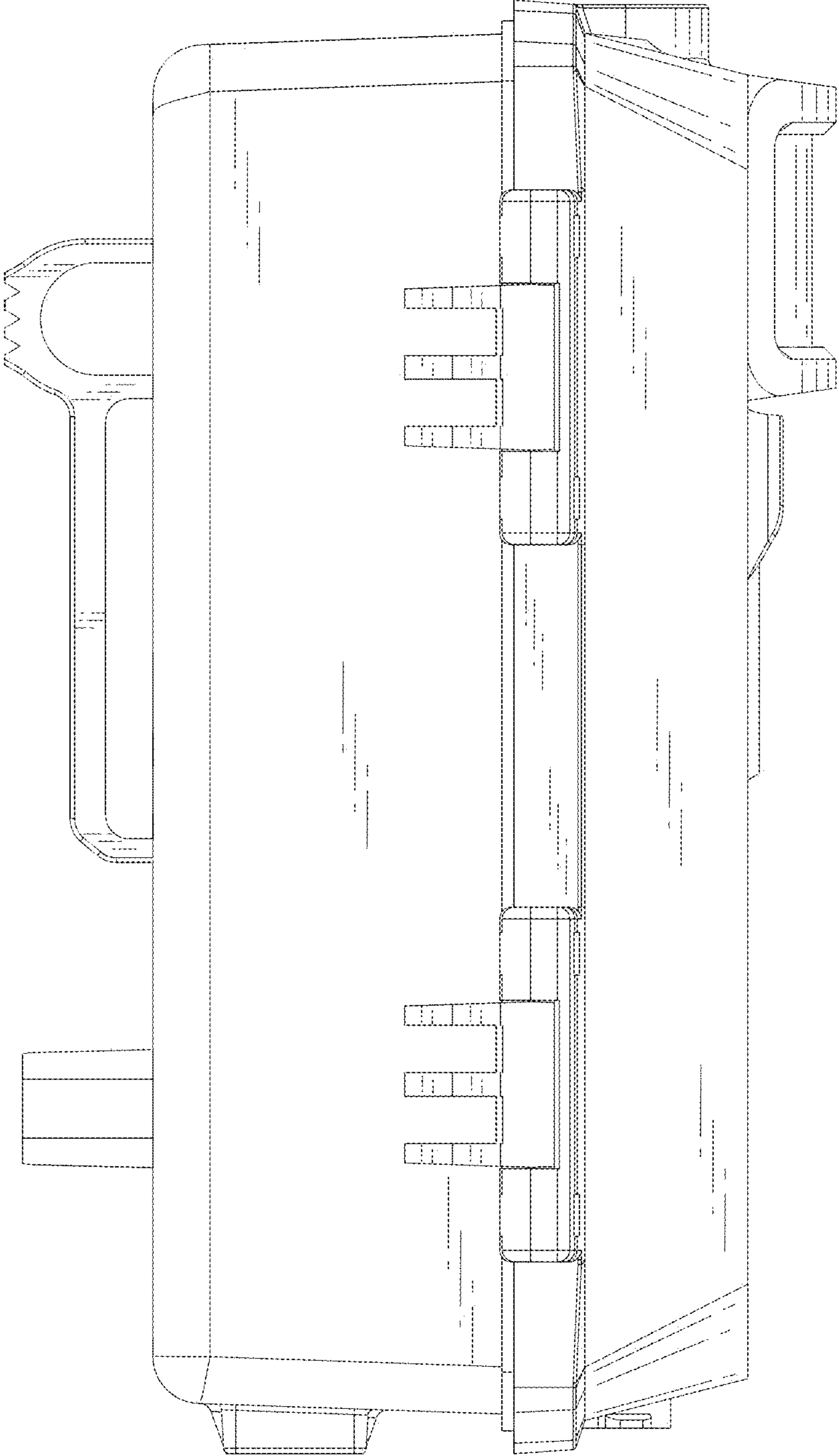


Fig. 3

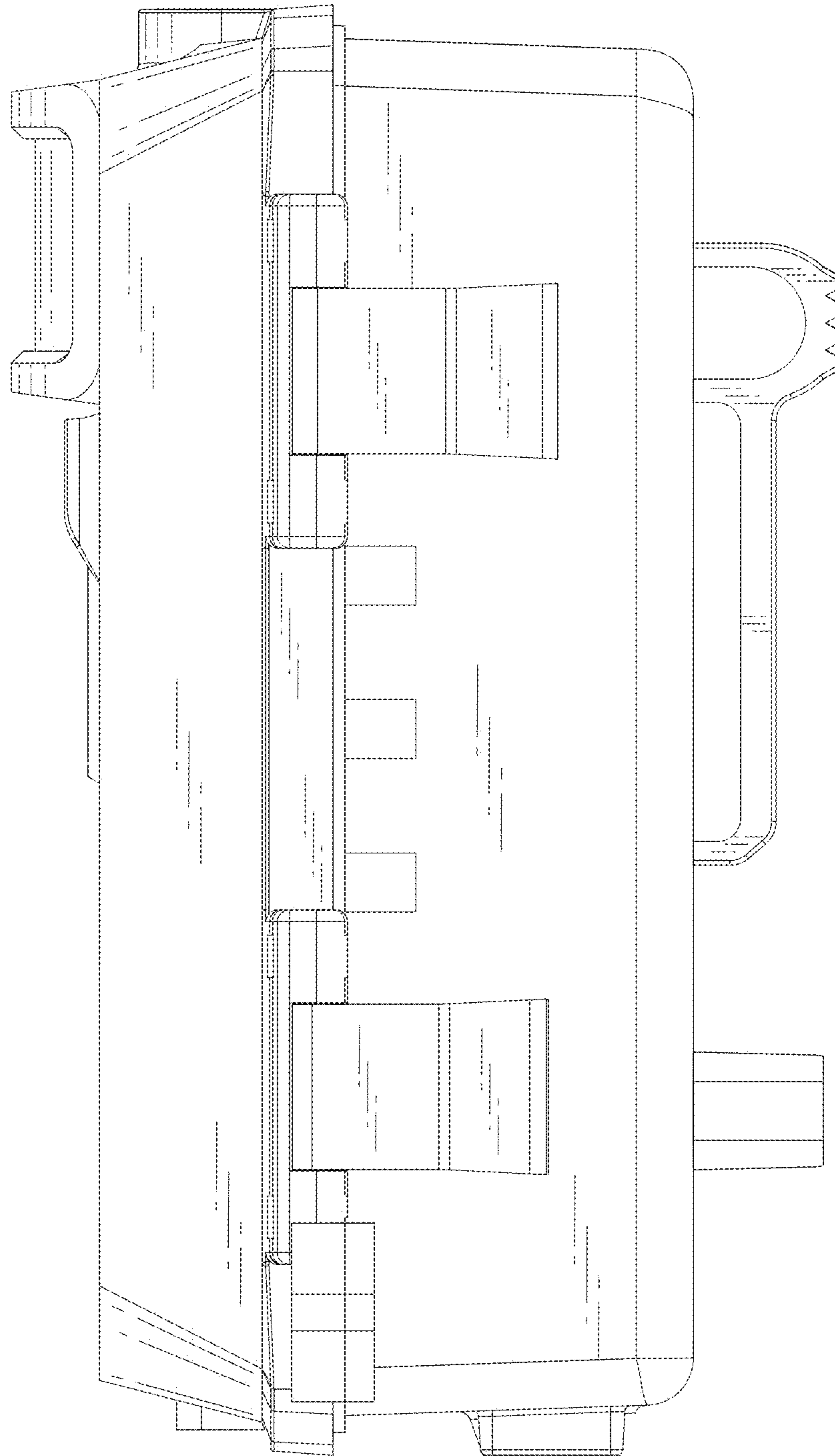


Fig. 4

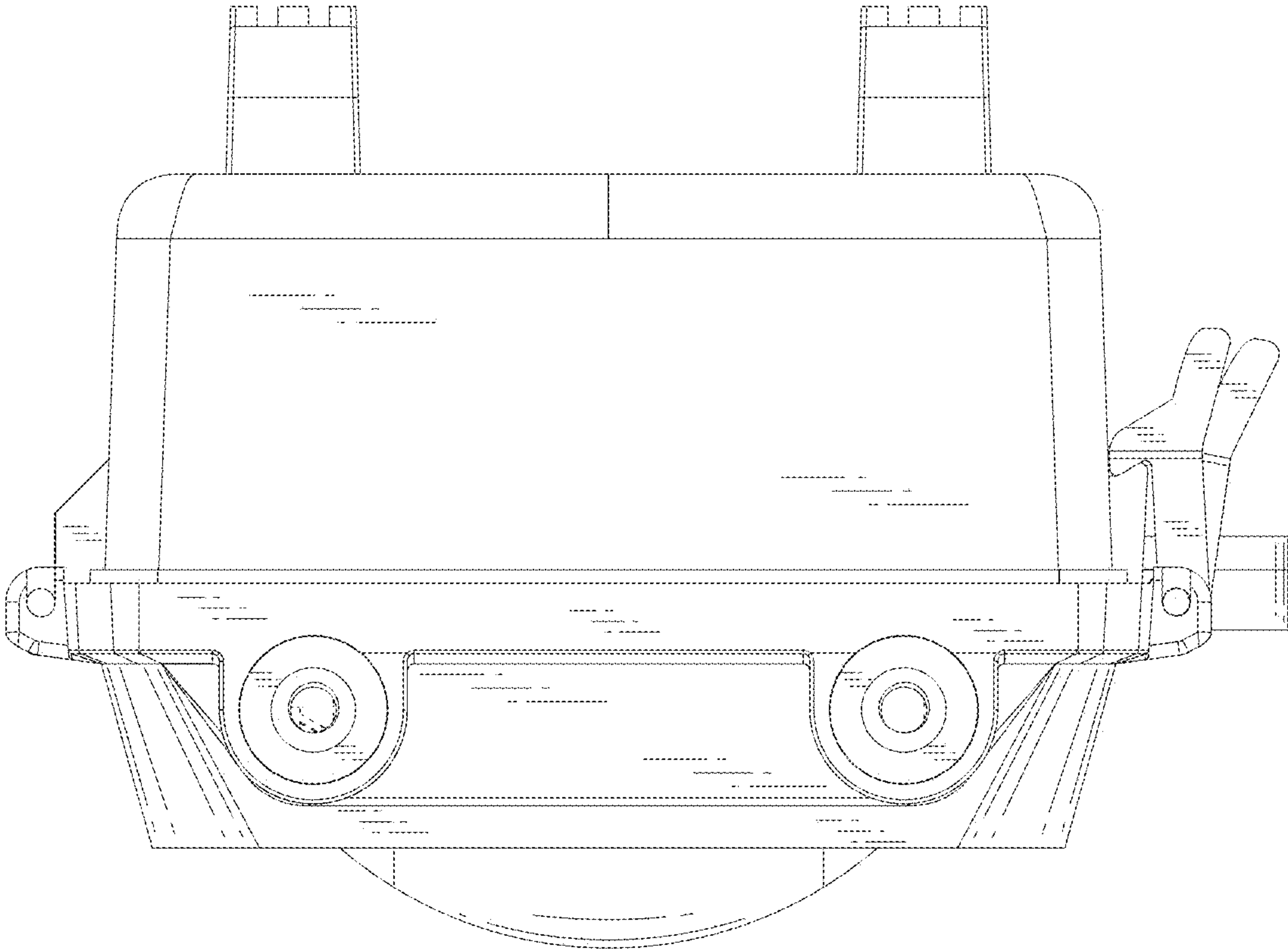


Fig. 5

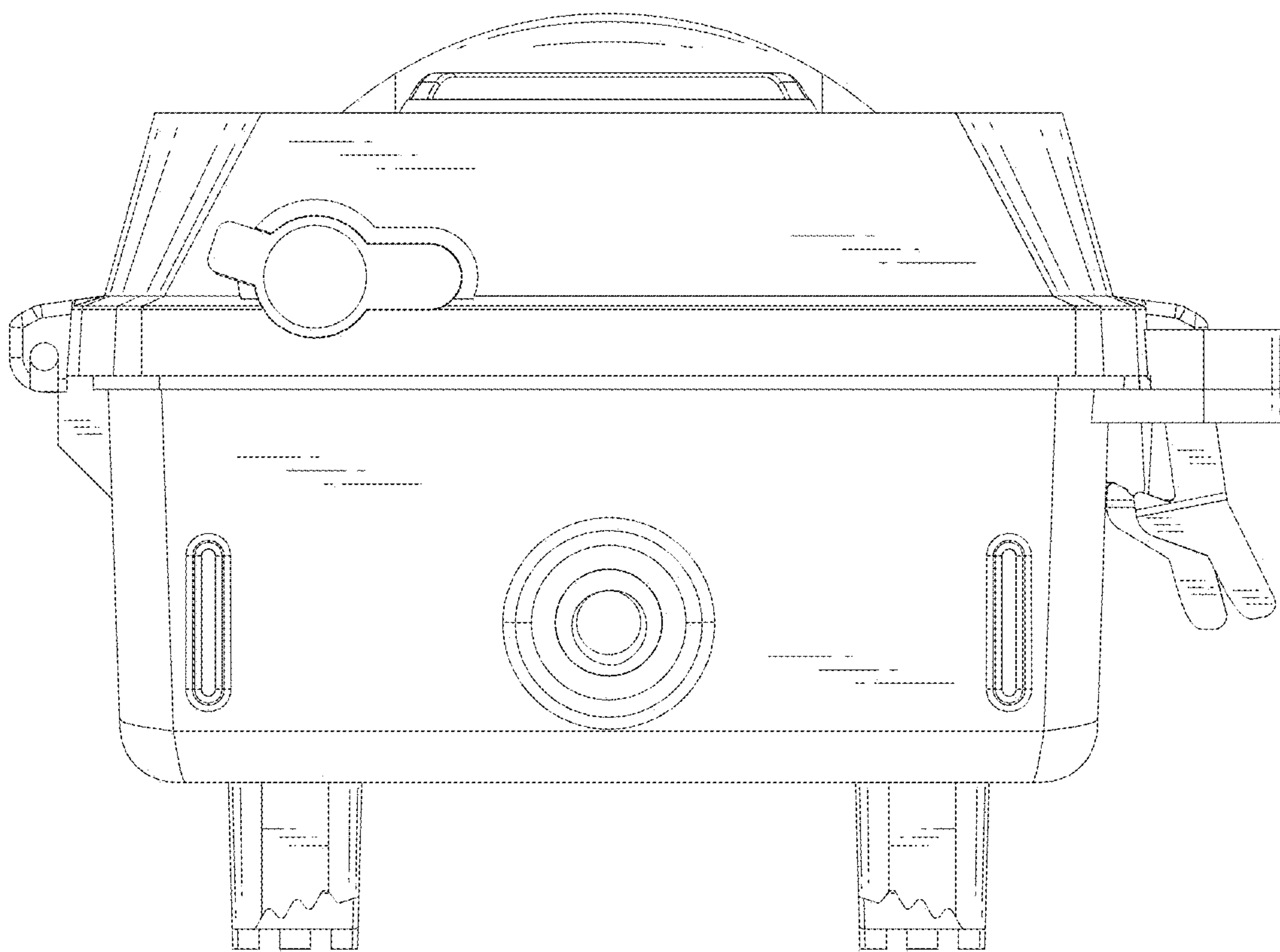


Fig. 6

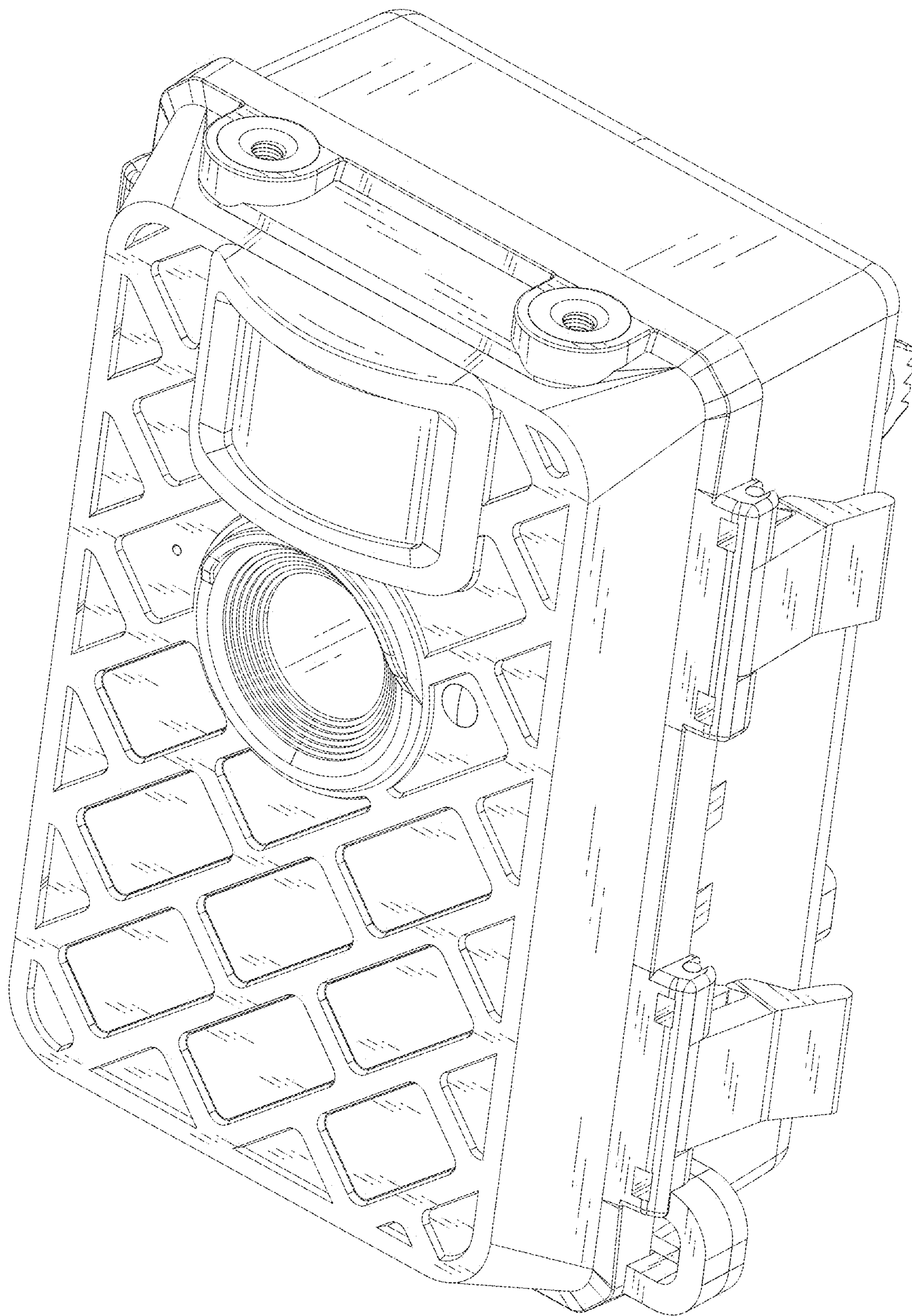


Fig. 7

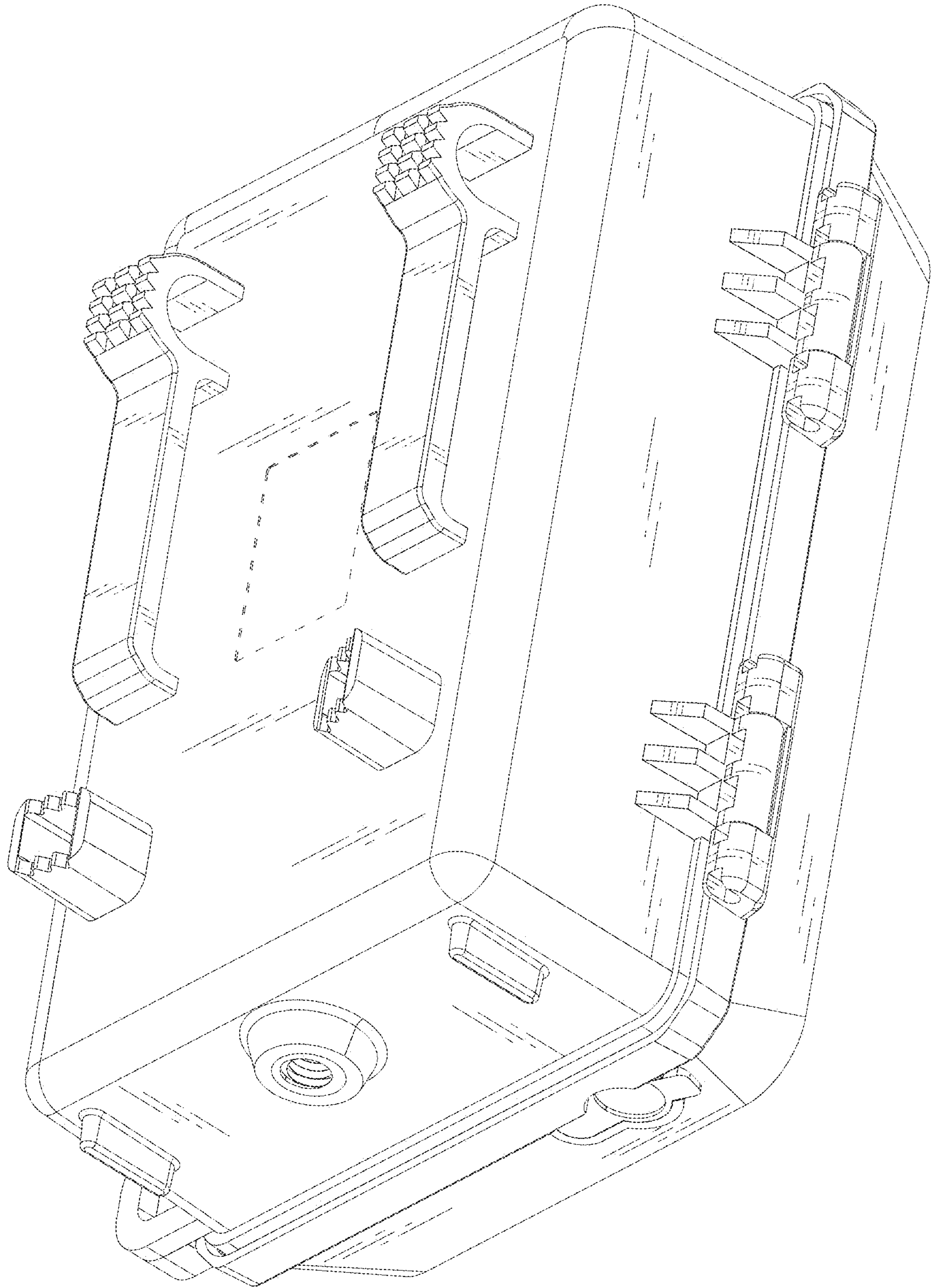


Fig. 8

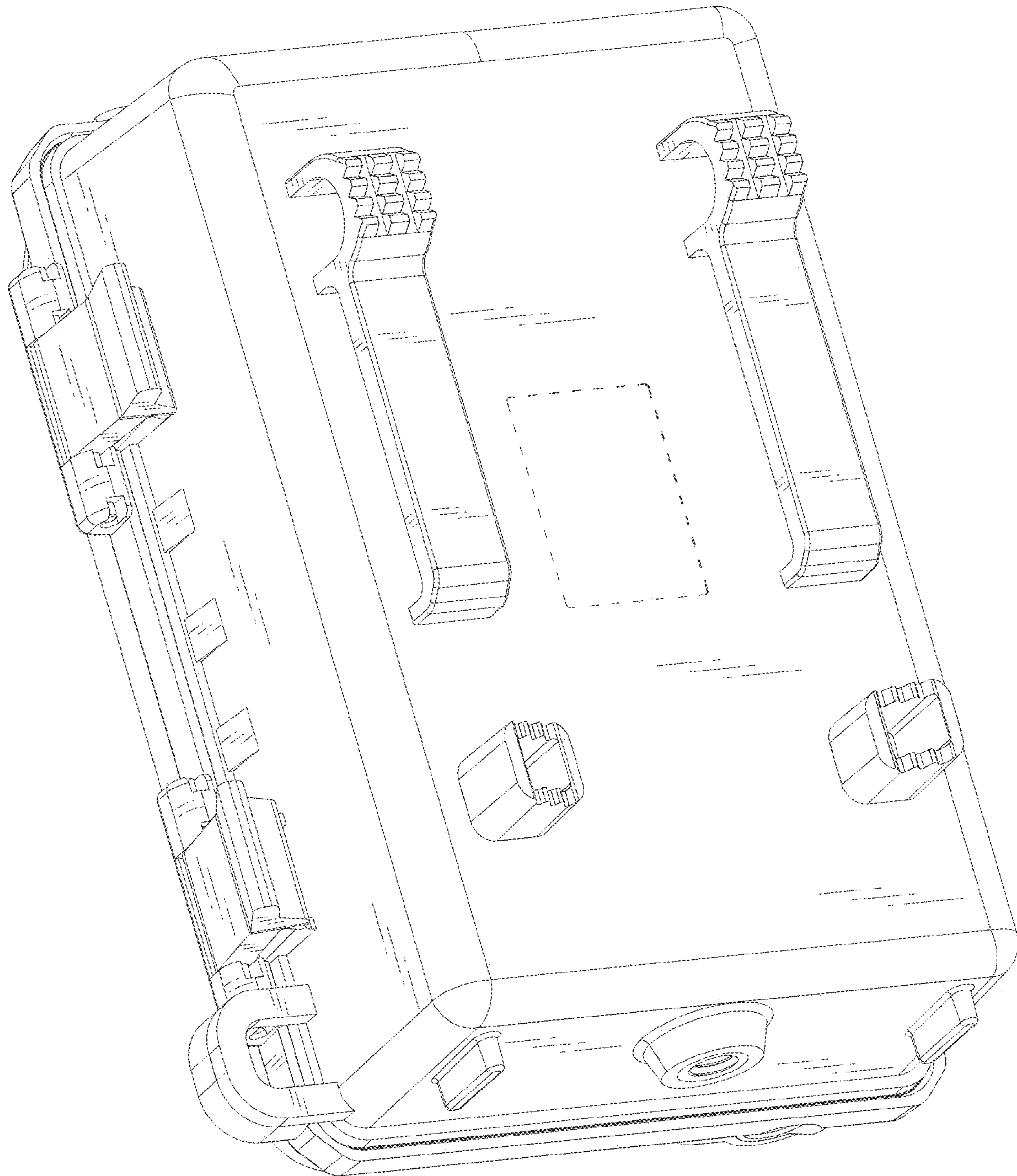


Fig. 9

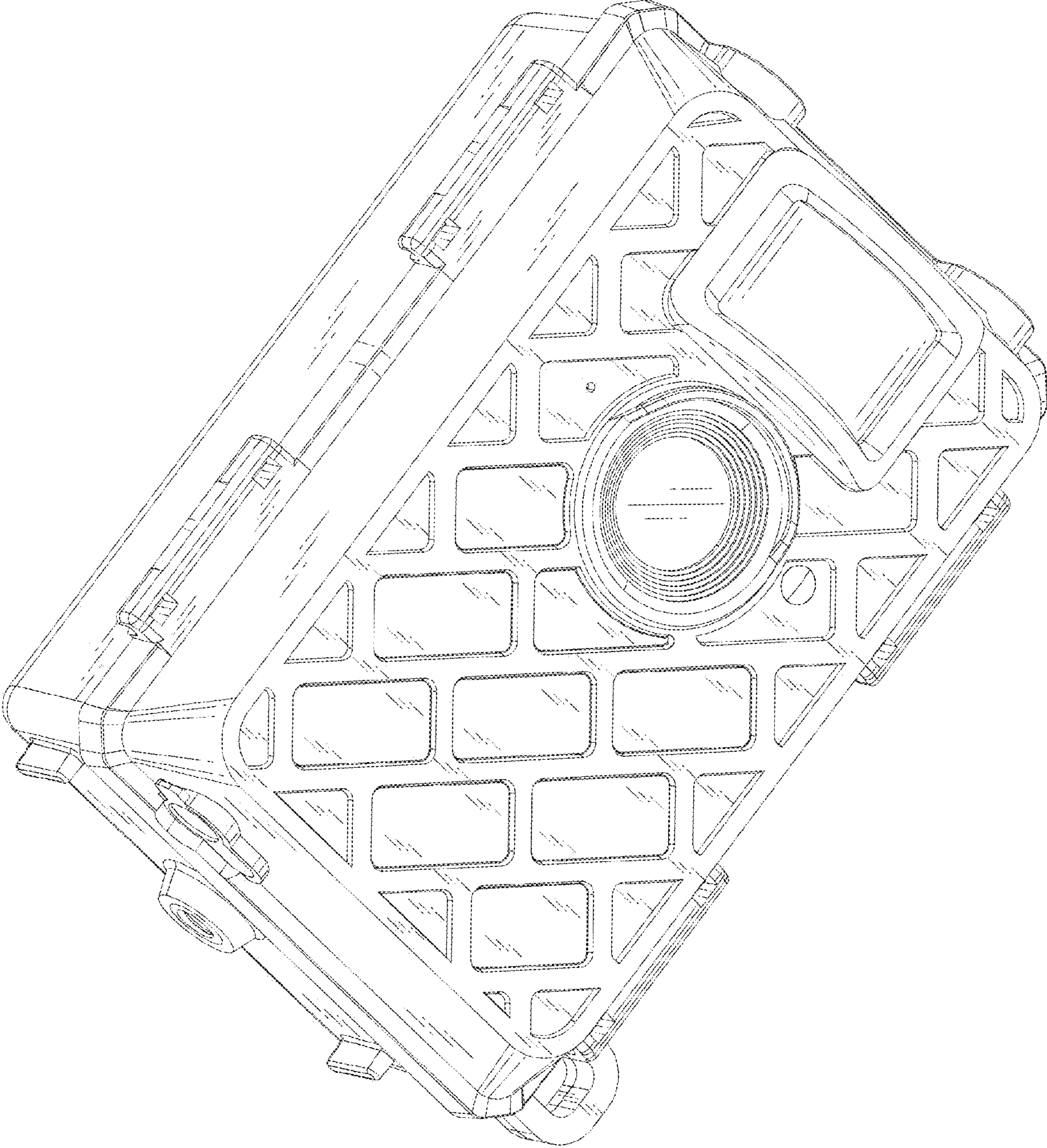


Fig. 10