



US00D915488S

(12) **United States Design Patent** (10) **Patent No.:** **US D915,488 S**
Shimasaki et al. (45) **Date of Patent:** **** Apr. 6, 2021**

(54) **LENS HOLDER FOR MAGNIFYING GLASS WITH LAMP**

D729,862 S * 5/2015 Awazu D16/219
D745,079 S * 12/2015 Oh D16/219
D745,591 S * 12/2015 Oh D16/219
D750,152 S * 2/2016 Awazu D16/219
D840,457 S * 2/2019 Geller D16/131
D888,136 S * 6/2020 Handler D16/237

(71) Applicant: **Otsuka Optics Co., Ltd.**, Tokyo (JP)

(72) Inventors: **Tatsuya Shimasaki**, Tokyo (JP); **Hideo Yamada**, Tokyo (JP)

* cited by examiner

(**) Term: **15 Years**

Primary Examiner — Holly E Thurman

(21) Appl. No.: **35/507,621**

(22) Filed: **Apr. 23, 2019**

(57) **CLAIM**

(80) **Hague Agreement Data**

Int. Filing Date: **Apr. 23, 2019**
Int. Reg. No.: **DM/203540**
Int. Reg. Date: **Apr. 23, 2019**
Int. Reg. Pub. Date: **Nov. 1, 2019**

The ornamental design for lens holder for magnifying glass with lamp, as shown and described.

DESCRIPTION

(30) **Foreign Application Priority Data**

Oct. 29, 2018 (JP) 2018-023702

(51) **LOC (13) Cl.** **16-06**

(52) **U.S. Cl.**
USPC **D16/136**

(58) **Field of Classification Search**
USPC D16/101, 130, 131, 132, 136, 219, 302, D16/305, 309, 317, 330, 900
CPC ... G02B 7/00; G02B 7/02; G02B 7/04; G02B 25/00; G02B 25/002; G02B 25/004; G02B 25/007; G02B 25/008
See application file for complete search history.

- 1. Lens holder for magnifying glass with lamp
- 1.1 : Perspective
- 1.2 : Front
- 1.3 : Left
- 1.4 : Right
- 1.5 : Back
- 1.6 : Top
- 1.7 : Bottom
- 1.8 : Bottom
- 1.9 : Perspective

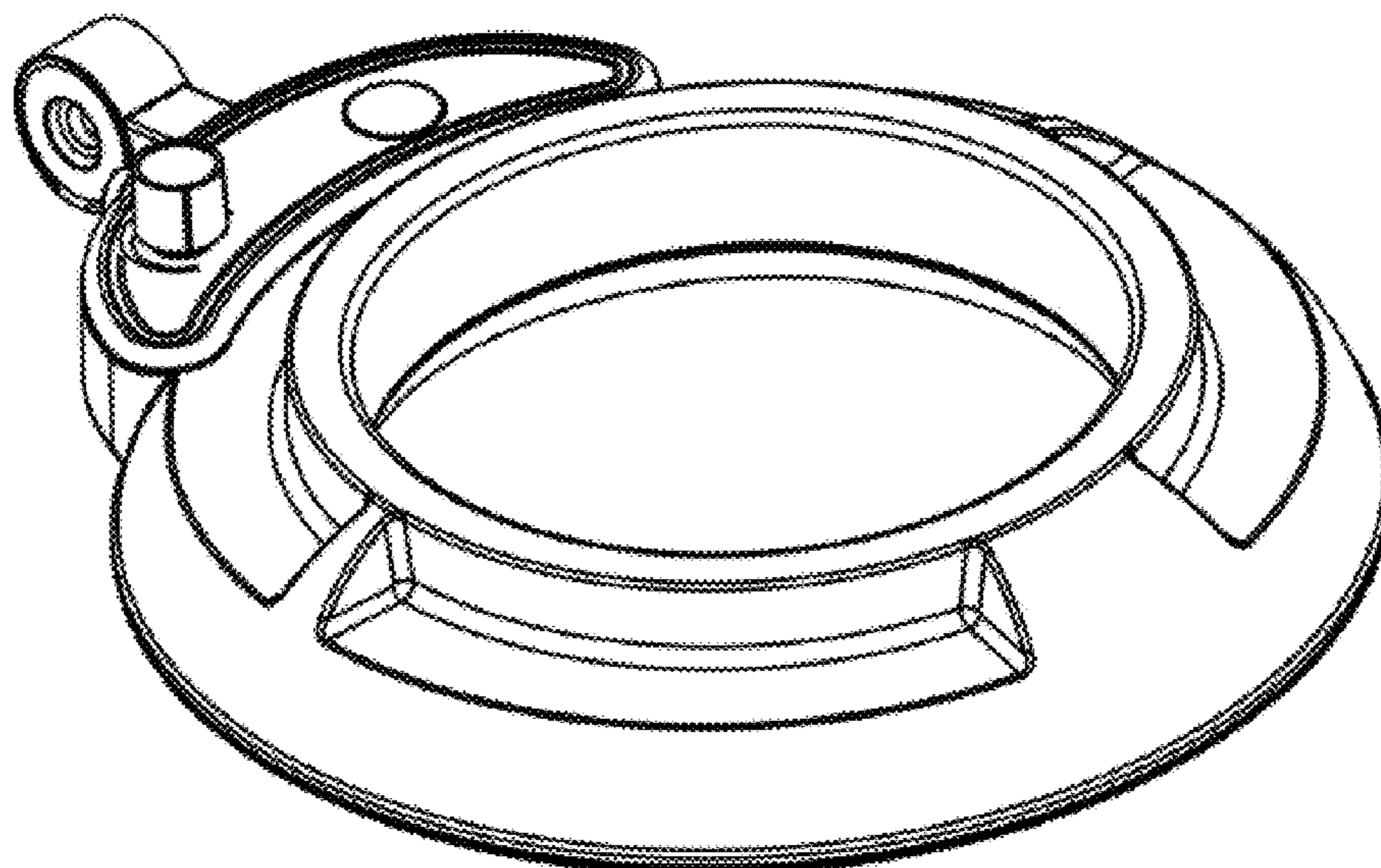
(56) **References Cited**

U.S. PATENT DOCUMENTS

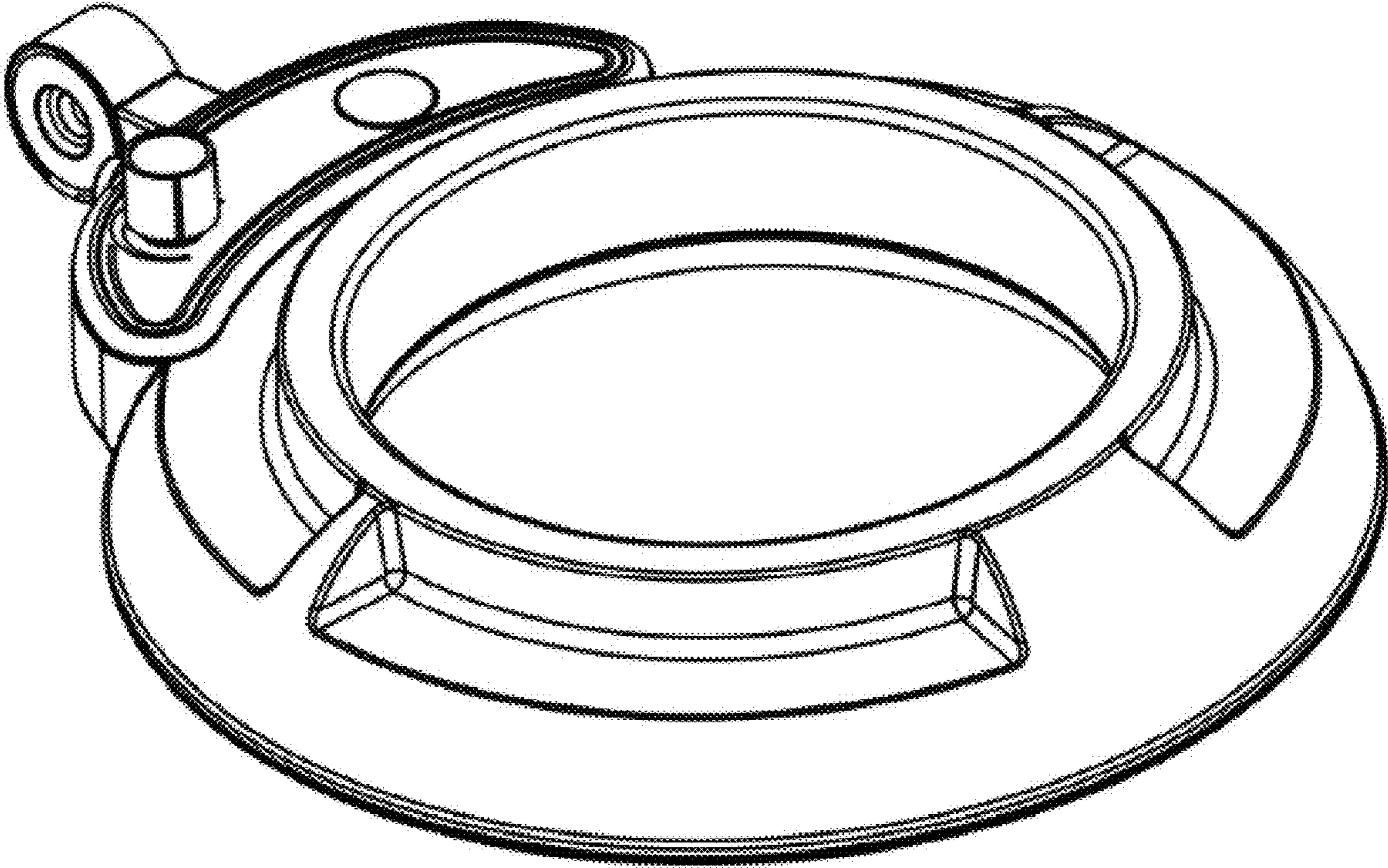
D235,578 S * 6/1975 Miyake et al. D16/136
D539,323 S * 3/2007 Tokiwa D16/134
D600,265 S * 9/2009 Miyashita D16/136
D692,475 S * 10/2013 Hasuda D16/219

The gray coloring is used to depict transparency and forms NO part of the claimed design. The dashed lines in the drawings depict portions of the lens holder that forms NO part of the claimed design.

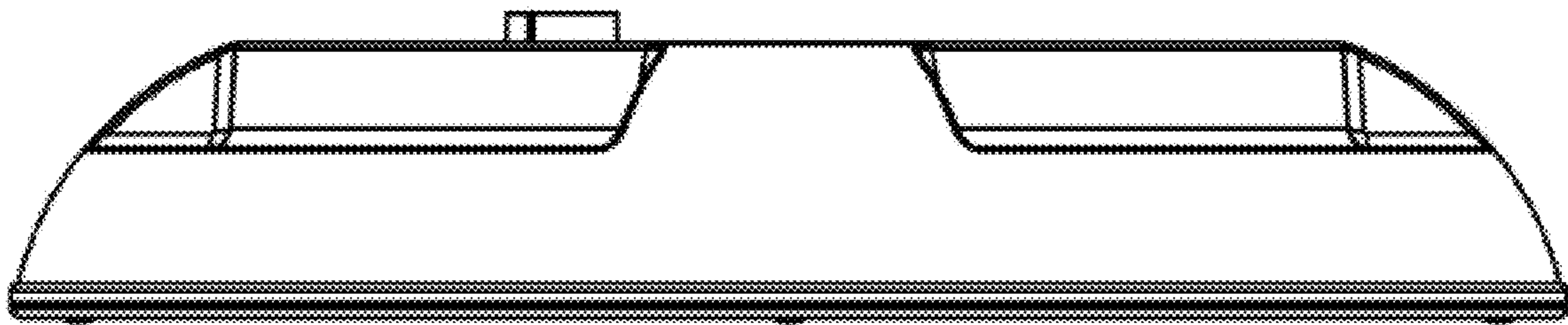
1 Claim, 9 Drawing Sheets



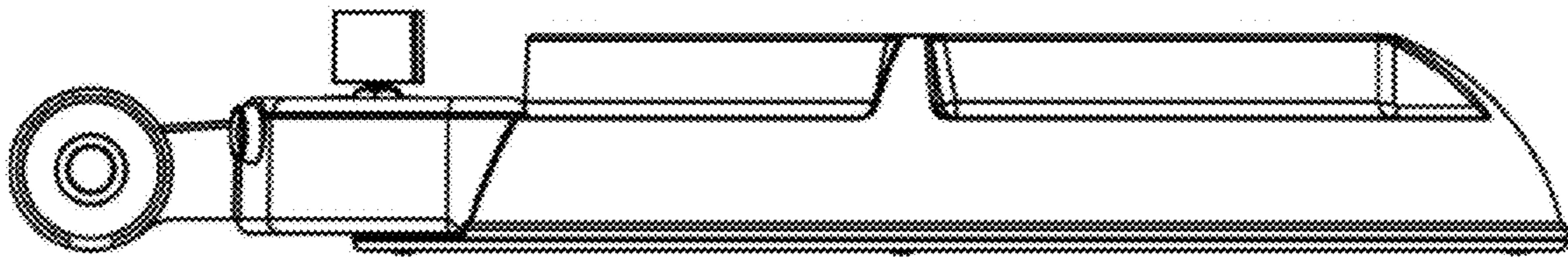
1.1



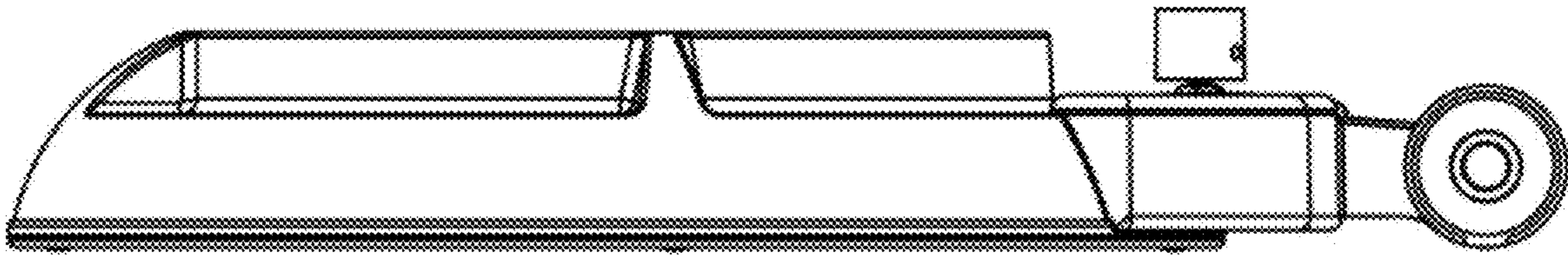
1.2



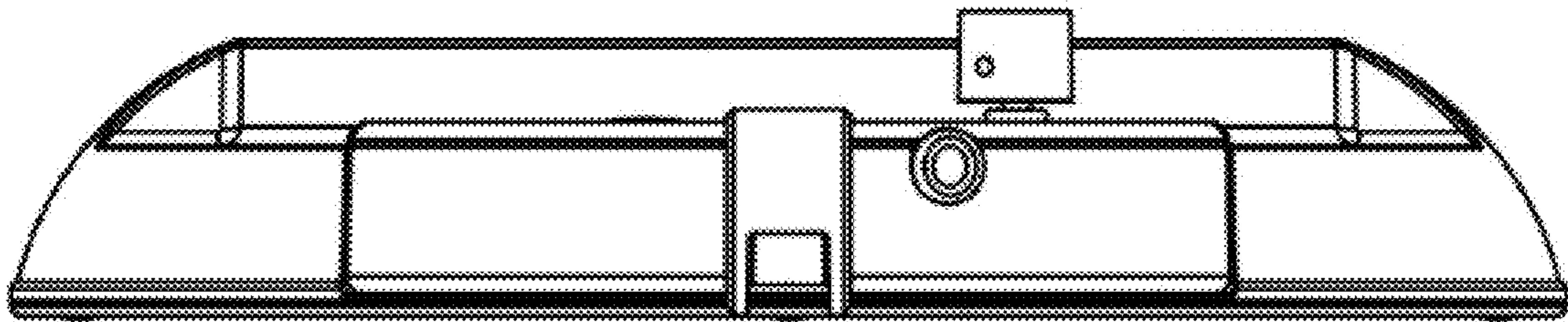
1.3



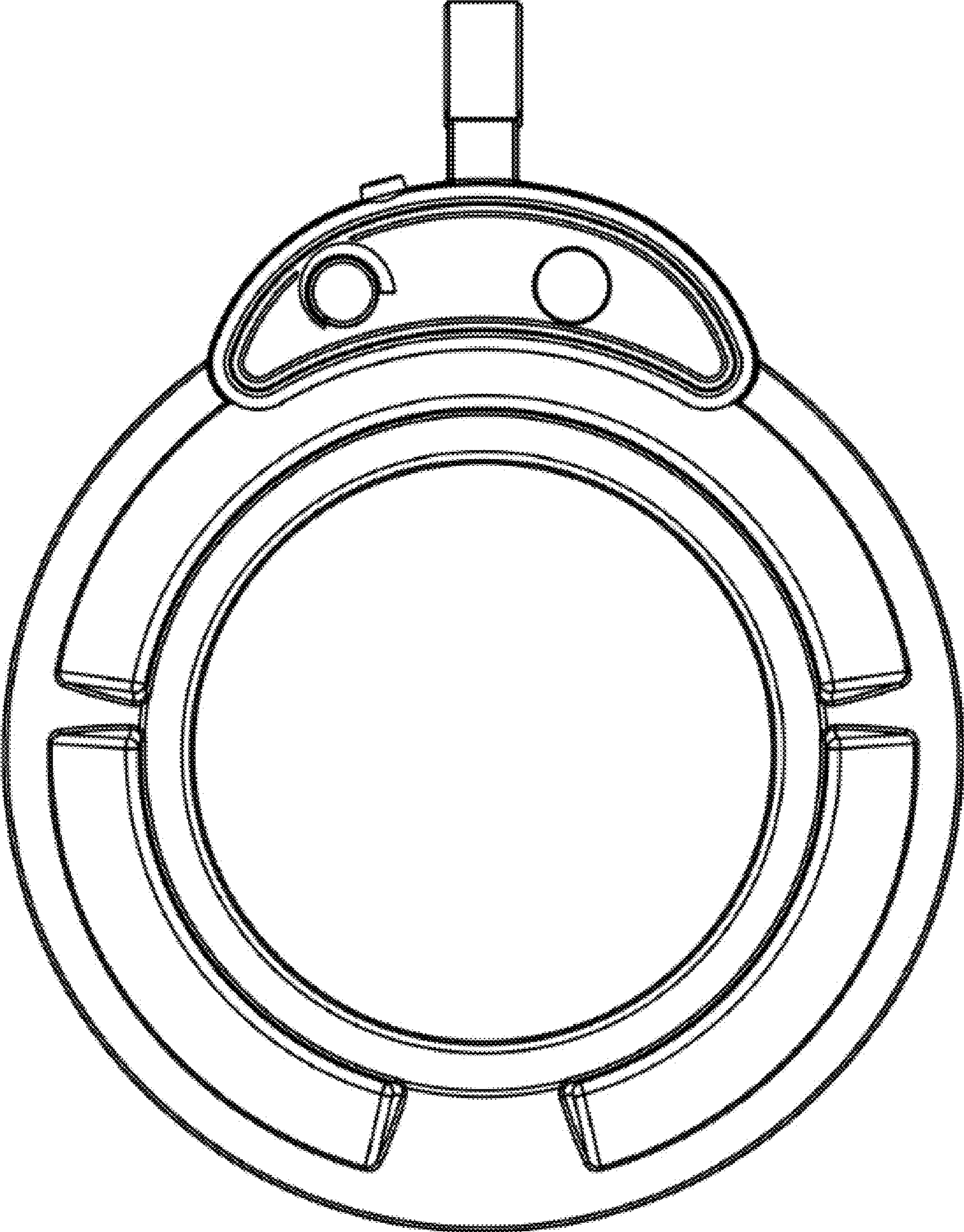
1.4



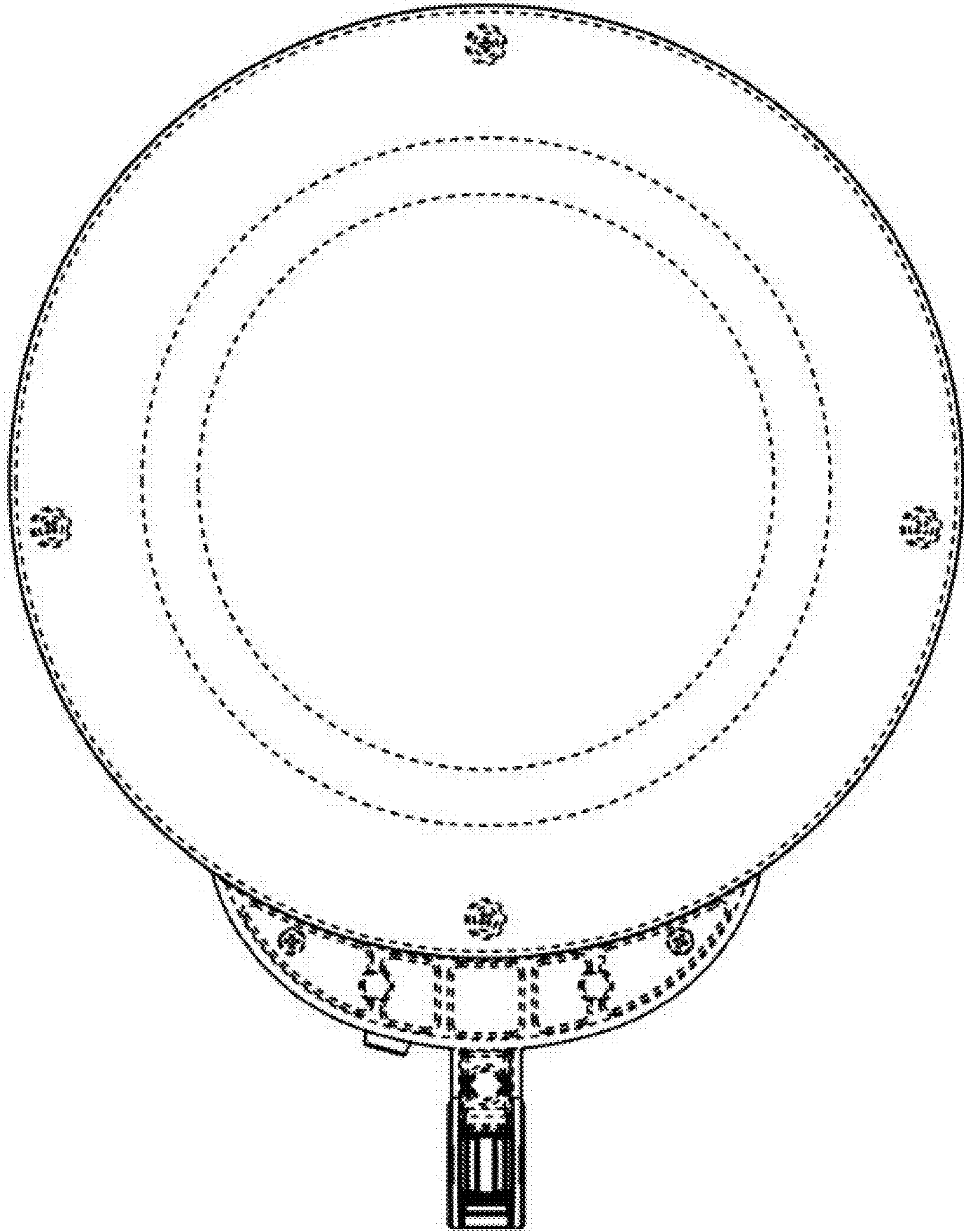
1.5



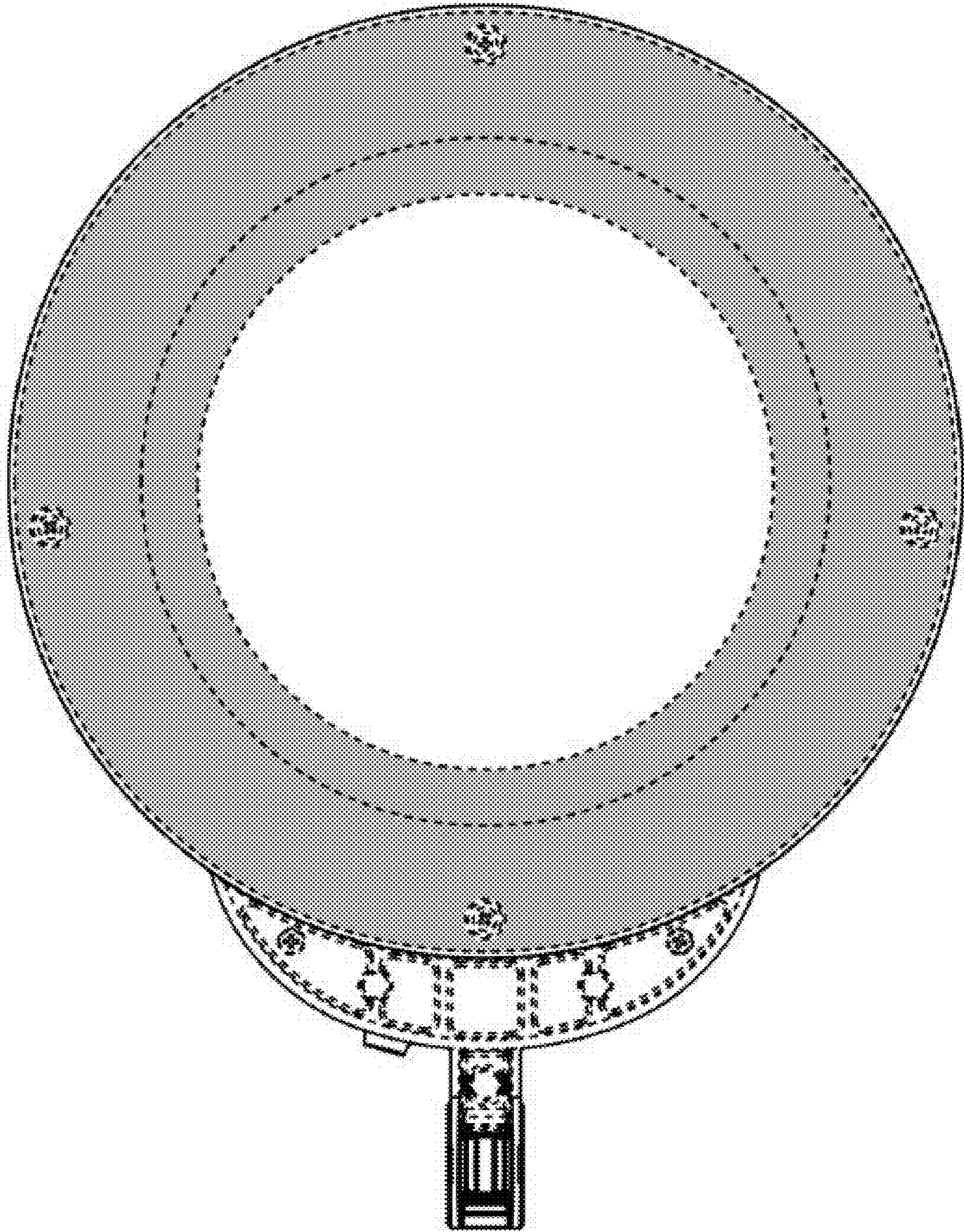
1.6



1.7



1.8



1.9

