



US00D915484S

(12) **United States Design Patent** (10) **Patent No.:** **US D915,484 S**
Colgrove et al. (45) **Date of Patent:** **** Apr. 6, 2021**

(54) **INTERSTAGE SCREEN BASKET**

FOREIGN PATENT DOCUMENTS

(71) Applicant: **DERRICK CORPORATION**, Buffalo, NY (US)

CA 1293223 C 12/1991
CA 2269314 A1 10/2000
(Continued)

(72) Inventors: **James R. Colgrove**, East Aurora, NY (US); **Clifford C. Smith**, North Collins, NY (US)

OTHER PUBLICATIONS

Multotec, "Injection Moulded Polywedge Screen Panels", (Rev. 4), www.multotec.com.

(73) Assignee: **DERRICK CORPORATION**, Buffalo, NY (US)

(Continued)

(**) Term: **15 Years**

Primary Examiner — Patricia A Palasik

(21) Appl. No.: **29/671,960**

(74) *Attorney, Agent, or Firm* — Jason P. Mueller; FisherBroyles, LLP

(22) Filed: **Nov. 30, 2018**

(57) **CLAIM**

The ornamental design for an interstage screen basket, as shown and described.

Related U.S. Application Data

DESCRIPTION

(63) Continuation of application No. 16/151,909, filed on Oct. 4, 2018, which is a continuation-in-part of application No. 16/001,755, filed on Jun. 6, 2018, and a continuation of application No. 16/001,755, filed on Jun. 6, 2018.

FIG. 1 is a top perspective view of a first embodiment of an interstage screen basket;

(51) **LOC (13) Cl.** **15-04**

FIG. 2 is a right side view thereof;

(52) **U.S. Cl.**

FIG. 3 is a left view thereof;

USPC **D15/147**

FIG. 4 is a front view thereof;

(58) **Field of Classification Search**

USPC D15/122, 135, 147

FIG. 5 is a back view thereof;

CPC B07B 1/46; B07B 1/185; B07B 1/469; B07B 1/4618; B07B 1/4645; B29K

FIG. 6 is a top view thereof; and

(Continued)

FIG. 7 is a bottom view thereof.

(56) **References Cited**

FIG. 8 is a top perspective view of a second embodiment of an interstage screen basket;

U.S. PATENT DOCUMENTS

3,002,623 A * 10/1961 Fontaine B07B 1/22 209/288

FIG. 9 is a right side view thereof;

3,364,503 A 1/1968 Mustee
(Continued)

FIG. 10 is a left view thereof;

FIG. 11 is a front view thereof;

FIG. 12 is a back view thereof;

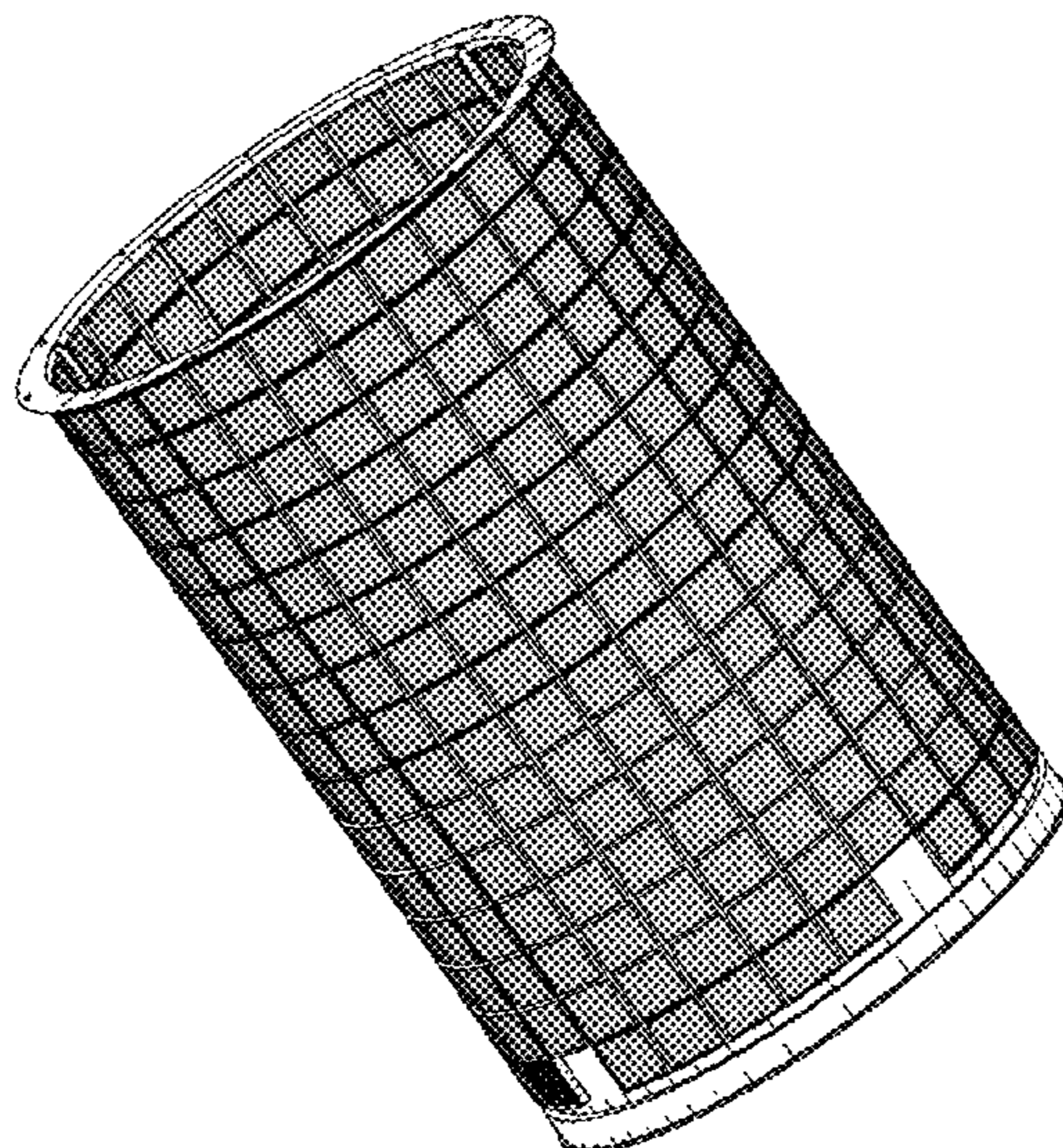
FIG. 13 is a top view thereof; and

FIG. 14 is a bottom view thereof.

FIG. 15 is an enlarged partial view of the Section 15 depicted in back view FIG. 5; and,

FIG. 16 is an enlarged partial view of the Section 16 depicted in back view FIG. 12.

1 Claim, 15 Drawing Sheets



US D915,484 S

(58)	Field of Classification Search CPC 2075/00; B29C 45/0001; B01D 33/067; B01D 33/742; B01D 33/0315 See application file for complete search history.	7,467,715 B2 7,484,625 B2 7,578,394 B2 7,654,395 B2 7,735,656 B1 *	12/2008 2/2009 8/2009 2/2010 6/2010	Johnson et al. Scott et al. Wojciechowski et al. Johnson et al. Bassler B07B 1/22 209/381			
(56)	References Cited U.S. PATENT DOCUMENTS						
	3,377,322 A	4/1968	Kenneth	7,810,649 B2	10/2010	Robertson	
	3,390,771 A	7/1968	Wehner	7,819,254 B2	10/2010	Robertson	
	3,401,800 A	9/1968	Stock	7,819,255 B2	10/2010	Cady	
	3,713,541 A	1/1973	Nelson	7,909,172 B2	3/2011	Carr	
	4,028,230 A	6/1977	Rosenblum	7,942,353 B2	5/2011	Cerra et al.	
	4,100,248 A	7/1978	Adams	7,959,009 B2	6/2011	Weaver et al.	
	4,141,821 A	2/1979	Wolff	7,992,719 B2	8/2011	Carr et al.	
	4,184,944 A *	1/1980	Tytko B07B 1/185	8,025,154 B2	9/2011	Kriel	
				8,113,357 B2	2/2012	Johnson et al.	
				8,127,932 B2	3/2012	Trench et al.	
				8,371,450 B2	2/2013	McGregor et al.	
				8,393,474 B2	3/2013	Robertson	
				8,408,397 B2	4/2013	Cady	
				8,443,984 B2	5/2013	Wojciechowski et al.	
	4,188,208 A	2/1980	Guay	8,544,655 B2	10/2013	Trench et al.	
	4,190,527 A	2/1980	Spiller	8,584,866 B2	11/2013	Lipa et al.	
	4,222,865 A	9/1980	Valeri et al.	8,596,464 B2	12/2013	Robertson	
	4,265,742 A	5/1981	Buecker et al.	8,827,545 B2	9/2014	Kalidindi	
	4,361,239 A *	11/1982	Kumandan B07B 1/185	9,010,539 B2	4/2015	Lipa et al.	
				9,050,607 B2	6/2015	Heley et al.	
				9,056,335 B2	6/2015	Wojciechowski et al.	
				9,149,841 B2	10/2015	Ghosh	
				9,156,061 B2	10/2015	Robertson	
				9,180,493 B2	11/2015	Dahl	
				9,327,318 B2	5/2016	Paul et al.	
				9,364,864 B2 *	6/2016	Paul B07B 1/4627	
				9,375,756 B2	6/2016	Lipa et al.	
				9,403,192 B2	8/2016	Lipa et al.	
				9,409,209 B2	8/2016	Wojciechowski	
				9,610,614 B2	4/2017	Woodgate et al.	
				9,744,564 B2	8/2017	Cady	
				9,884,344 B2	2/2018	Wojciechowski	
				9,908,150 B2	3/2018	Lipa et al.	
				10,046,363 B2	8/2018	Wojciechowski	
				10,086,408 B2	10/2018	Cady et al.	
				10,259,013 B2	4/2019	Wojciechowski	
				10,363,576 B2 *	7/2019	Schenk B07B 1/22	
				2002/0033358 A1	3/2002	Bakula	
				2002/0112998 A1	8/2002	Bosman	
				2002/0153287 A1	10/2002	Fallon	
				2004/0211707 A1	10/2004	Lipa	
				2005/0133465 A1	6/2005	Derrick et al.	
				2005/0183991 A1	8/2005	Kriel	
				2005/0274653 A1	12/2005	LaVeine et al.	
				2007/0151920 A1	7/2007	Kay	
				2007/0187302 A1	8/2007	Parra Huerta	
				2007/0187303 A1	8/2007	Fisher et al.	
				2007/0195143 A1	8/2007	Andrews	
				2008/0078703 A1	4/2008	Robertson	
				2008/0121568 A1	5/2008	McGregor et al.	
				2009/0139909 A1	6/2009	Robertson	
				2009/0166268 A1	7/2009	Malmberg	
				2009/0301945 A1	12/2009	Trench et al.	
				2009/0321328 A1	12/2009	Wojciechowski et al.	
				2010/0270215 A1	10/2010	Robertson et al.	
				2010/0276343 A1	11/2010	Hukki	
				2011/0094950 A1	4/2011	Dahl	
				2011/0139688 A1	6/2011	Carr et al.	
				2011/0155653 A1	6/2011	Robertson et al.	
				2011/0306719 A1	12/2011	Hilmer et al.	
				2012/0006735 A1	1/2012	Ralph	
				2012/0080362 A1	4/2012	Trench et al.	
				2013/0168387 A1	7/2013	Carvajal et al.	
				2013/0240652 A1 *	9/2013	Gardner B02C 23/16	
							241/89.1
				2013/0277281 A1	10/2013	McClung, III	
				2013/0277282 A1	10/2013	Lipa et al.	
				2013/0313168 A1	11/2013	Wojciechowski	
				2014/0262978 A1	9/2014	Wojciechowski	
				2014/0327171 A1	11/2014	Thierry et al.	
				2014/0342110 A1	11/2014	Zhu et al.	
				2015/0197827 A1	7/2015	Perkins et al.	
				2015/0239014 A1	8/2015	Lipa et al.	

(56)

References Cited

U.S. PATENT DOCUMENTS

2015/0283583	A1	10/2015	Woodgate et al.	
2016/0101377	A1	4/2016	Cady et al.	
2016/0129477	A1*	5/2016	Racherla	B07B 1/185 209/288
2016/0303611	A1	10/2016	Lipa et al.	
2018/0185879	A1*	7/2018	Torres Jara	B07B 1/22
2018/0185880	A1	7/2018	Wojciechowski	
2018/0243797	A1	8/2018	Wojciechowski	
2018/0312667	A1	11/2018	Colgrove et al.	
2018/0345319	A1	12/2018	Colgrove et al.	
2019/0076881	A1	3/2019	Colgrove et al.	
2019/0329293	A1	10/2019	Colgrove et al.	
2020/0190768	A1*	6/2020	Cangini	E02F 7/06

FOREIGN PATENT DOCUMENTS

CL	2015002761	11/2016
CN	101716573	6/2010
CN	20185517	6/2011
DE	2924571 A1	1/1981
DE	3542635 C1	2/1987
DE	102009010684 A1	9/2010
DE	102011119344 A1	4/2013
DE	102014009702 B3	8/2015
EA	15159	6/2011
EA	201170173 A1	6/2011
EM	00076997-0001	8/2007
EM	001153464-0003	9/2009
EM	002241158-0002	5/2013
EM	002303412-0012	5/2013
EM	002667436-0001	3/2015
EM	004496263-0002	6/2017
EP	1205265 A2	5/2002
GB	2185698 A	7/1987
GB	2203061	12/1988

GB	2497873 A	6/2013
JP	2008255145 A	10/2008
KR	20-0191289	8/2000
KR	1020140027283 A	3/2014
RU	2241550	12/2004
RU	2296630 C2	4/2007
RU	2361684	7/2009
RU	2543393	2/2015
SU	1599133 A1	10/1990
TW	M258183 U	3/2005
TW	M328904 U	3/2008
TW	M340860 U	9/2008
TW	200925535 A	6/2009
TW	M447274 U	2/2013
TW	M459903 U	8/2013
TW	M468568 U	12/2013
TW	M470701 U	1/2014
TW	M481766 U	7/2014
TW	M513735 U	12/2015
TW	M527789 U	9/2016
TW	M529549 U	10/2016
TW	M532900 U	12/2016
TW	M544259 U	7/2017
TW	M556176 U	3/2018
WO	0053343 A1	9/2000
WO	20010097947 A1	12/2001
WO	2007079270 A2	7/2007
WO	2008115673 A1	9/2008
WO	2008141373 A1	11/2008
WO	2010066543 A1	6/2010
WO	20100069970 A1	6/2010

OTHER PUBLICATIONS

Multotec, "Injection Moulded TeePee Panels", (Rev. 2), www.multotec.com.

* cited by examiner

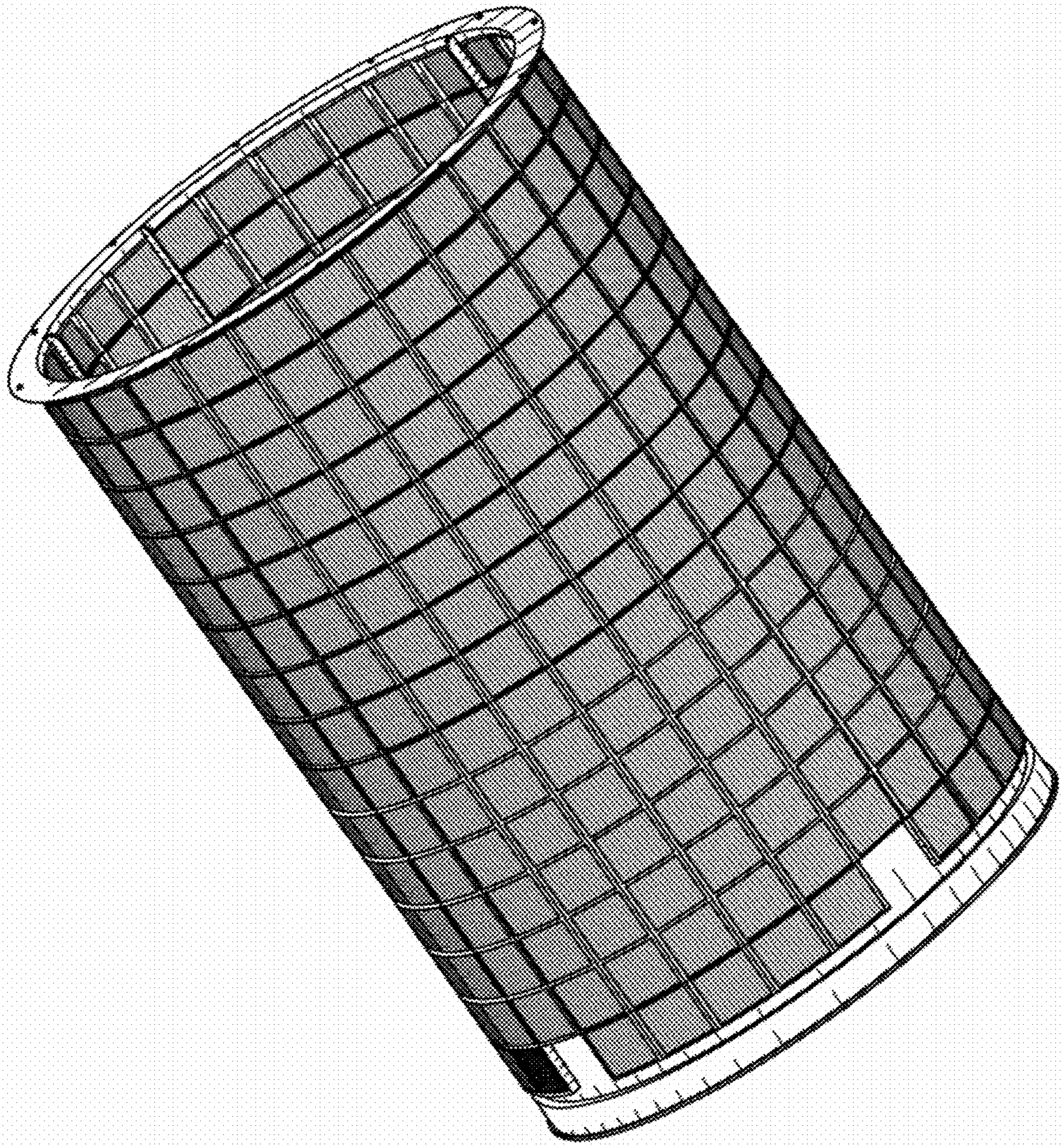


FIG. 1

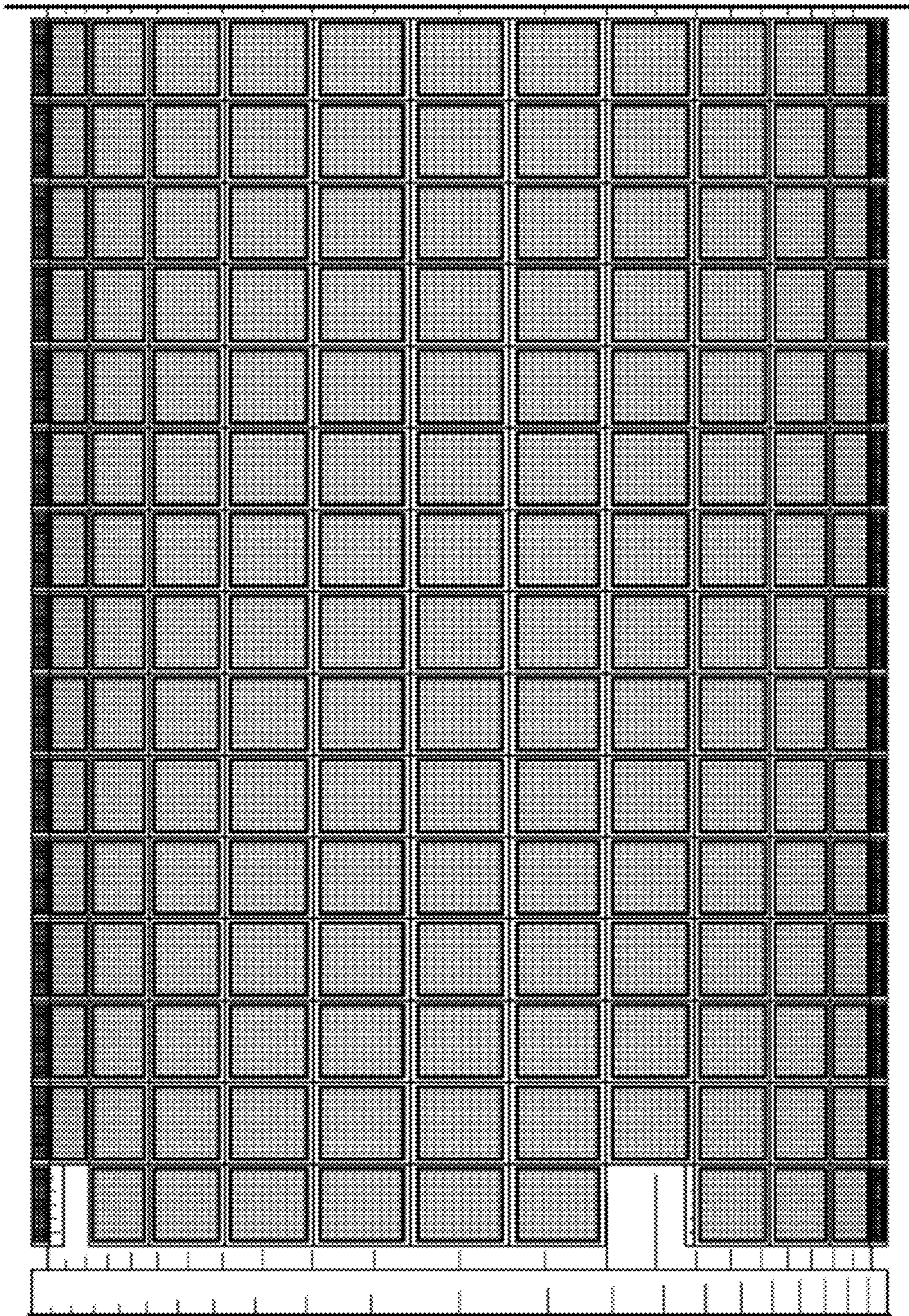


FIG. 2

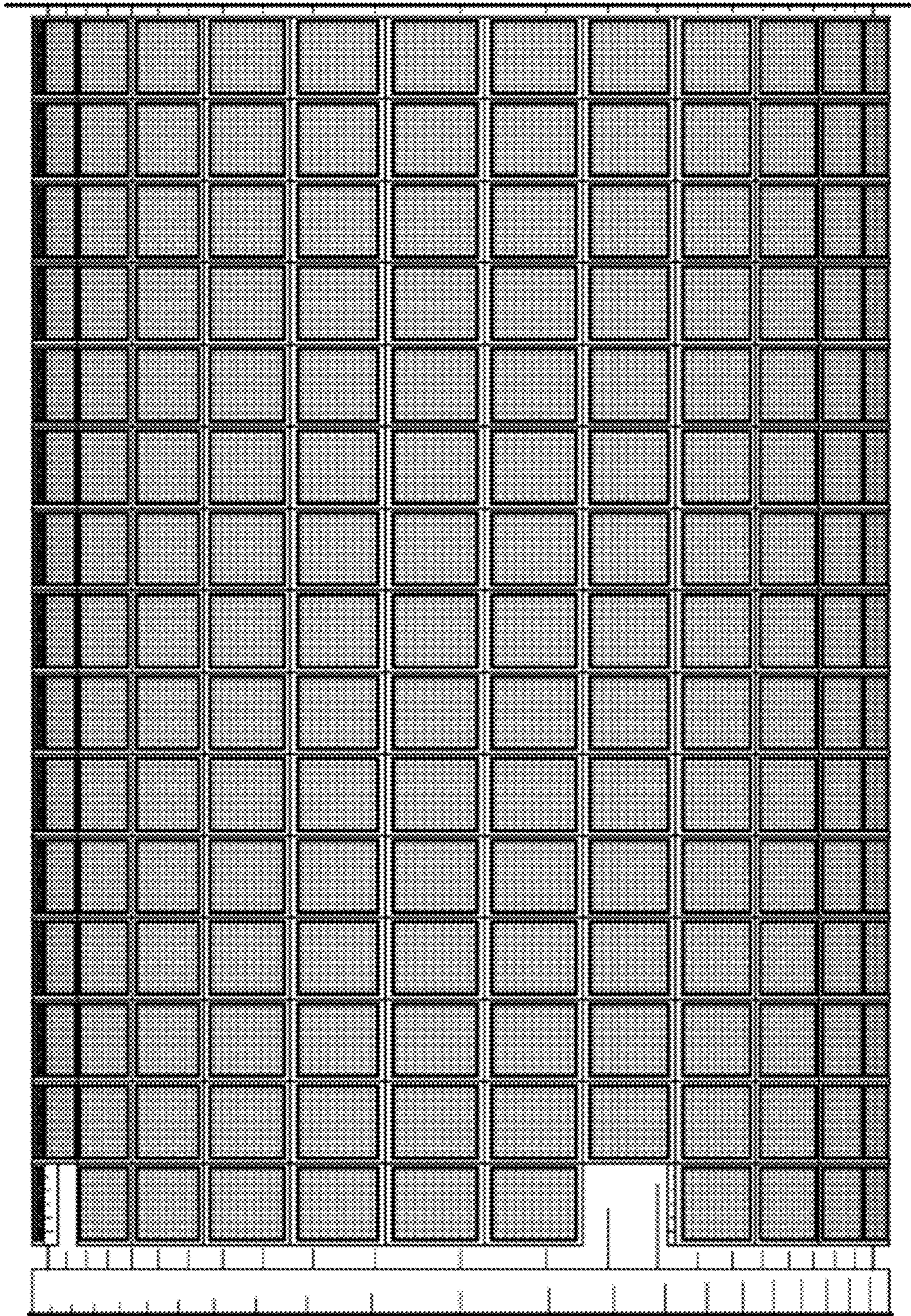


FIG. 3

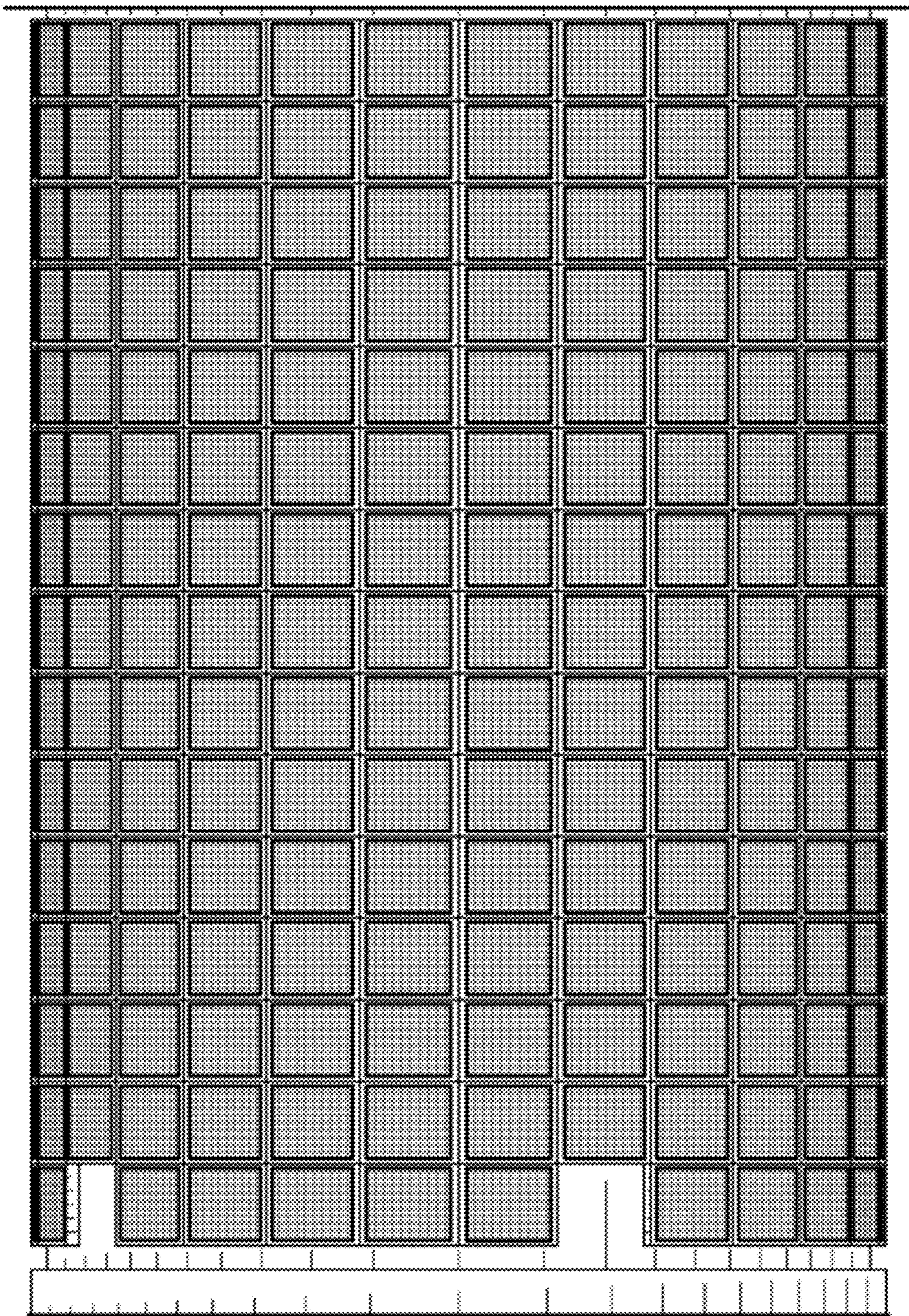


FIG. 4

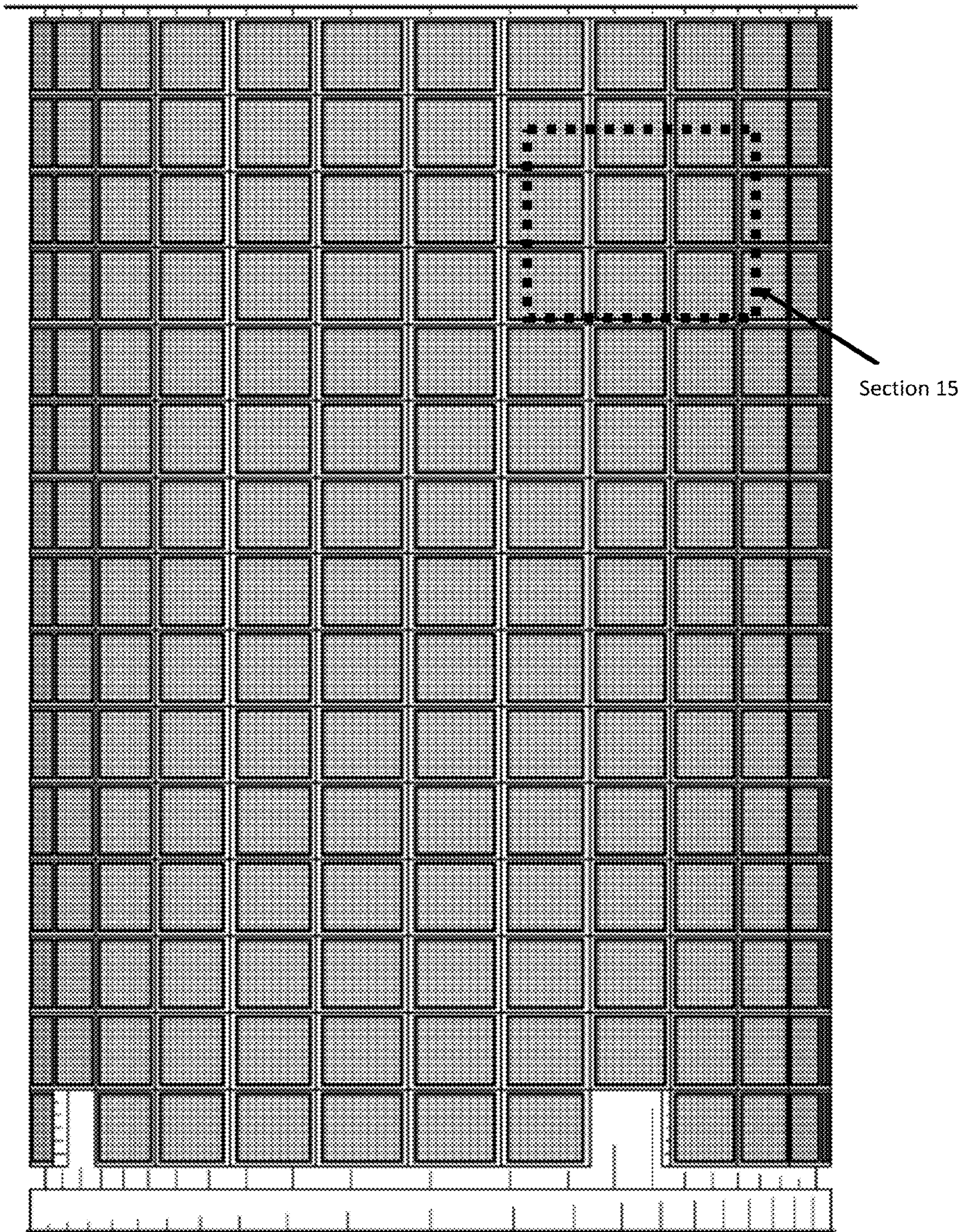


FIG. 5

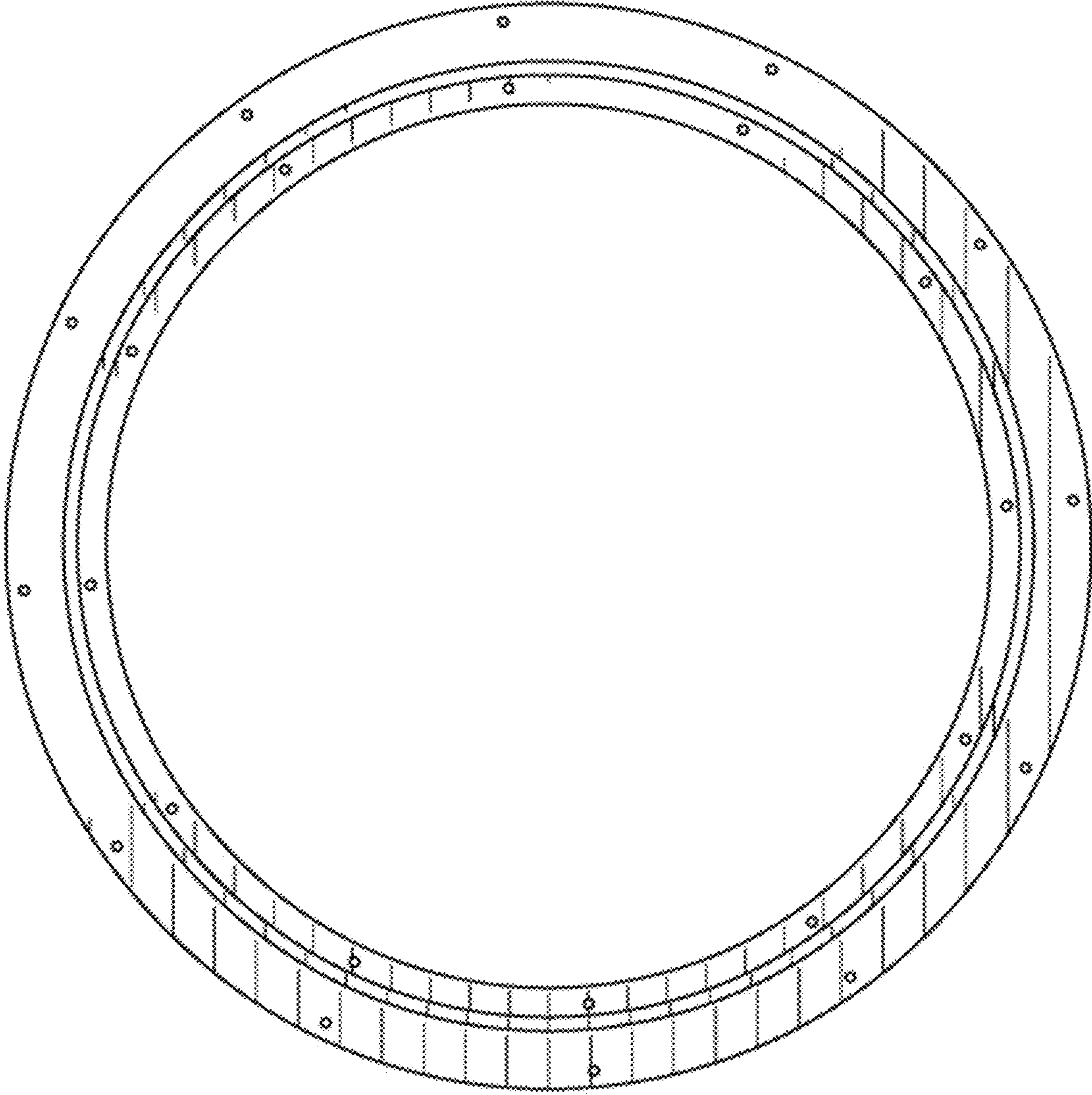


FIG. 6

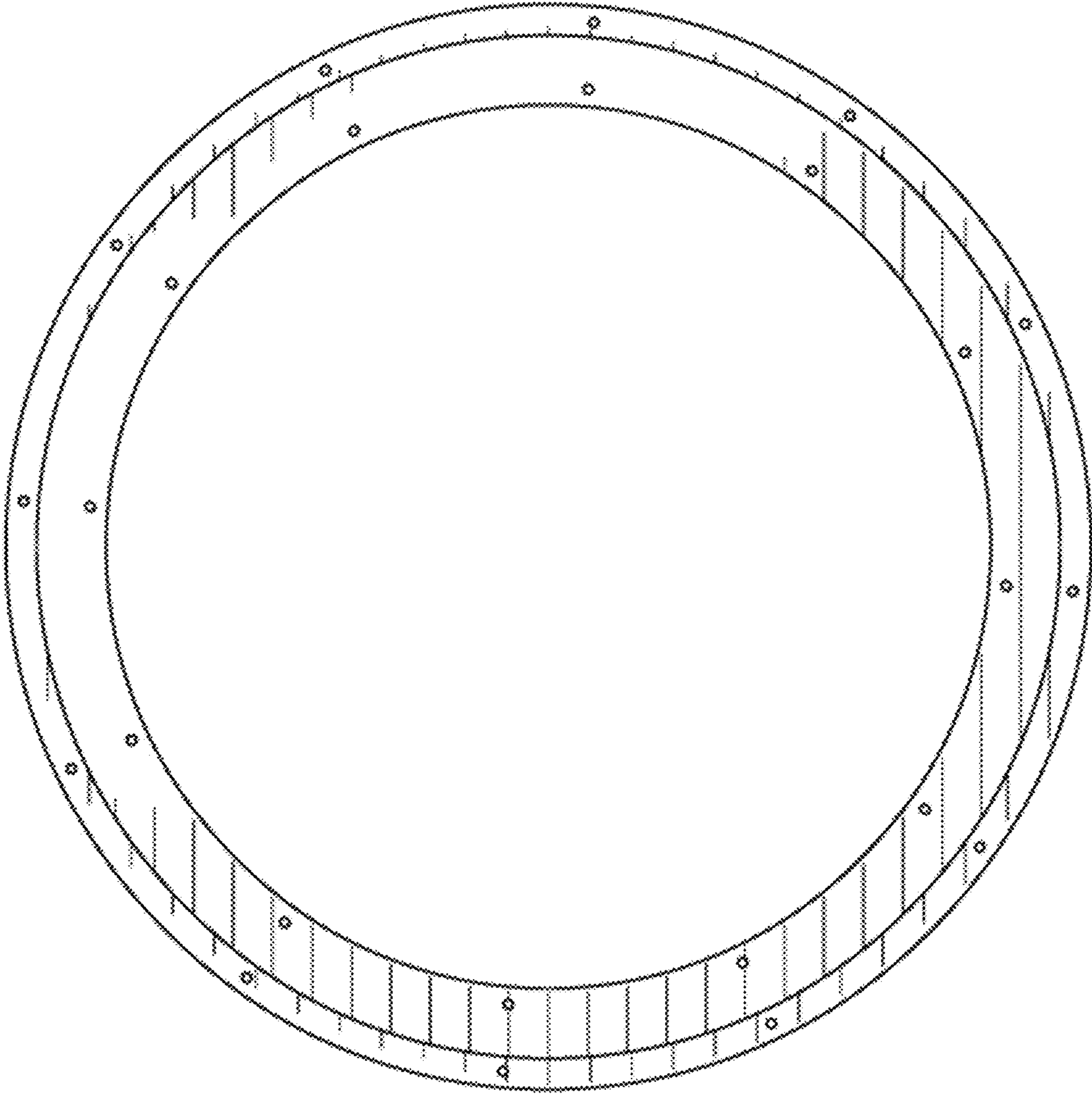


FIG. 7

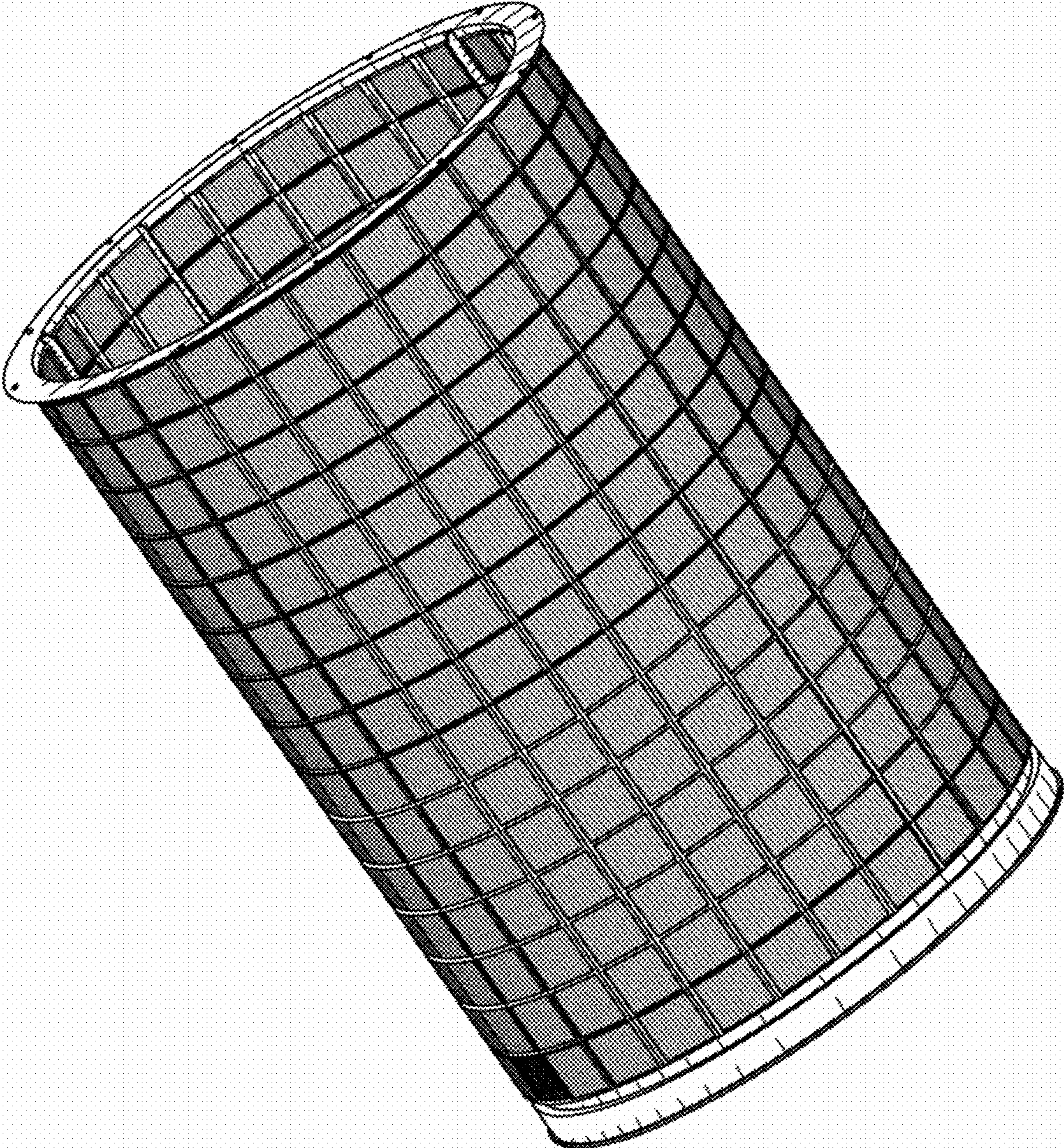


FIG. 8

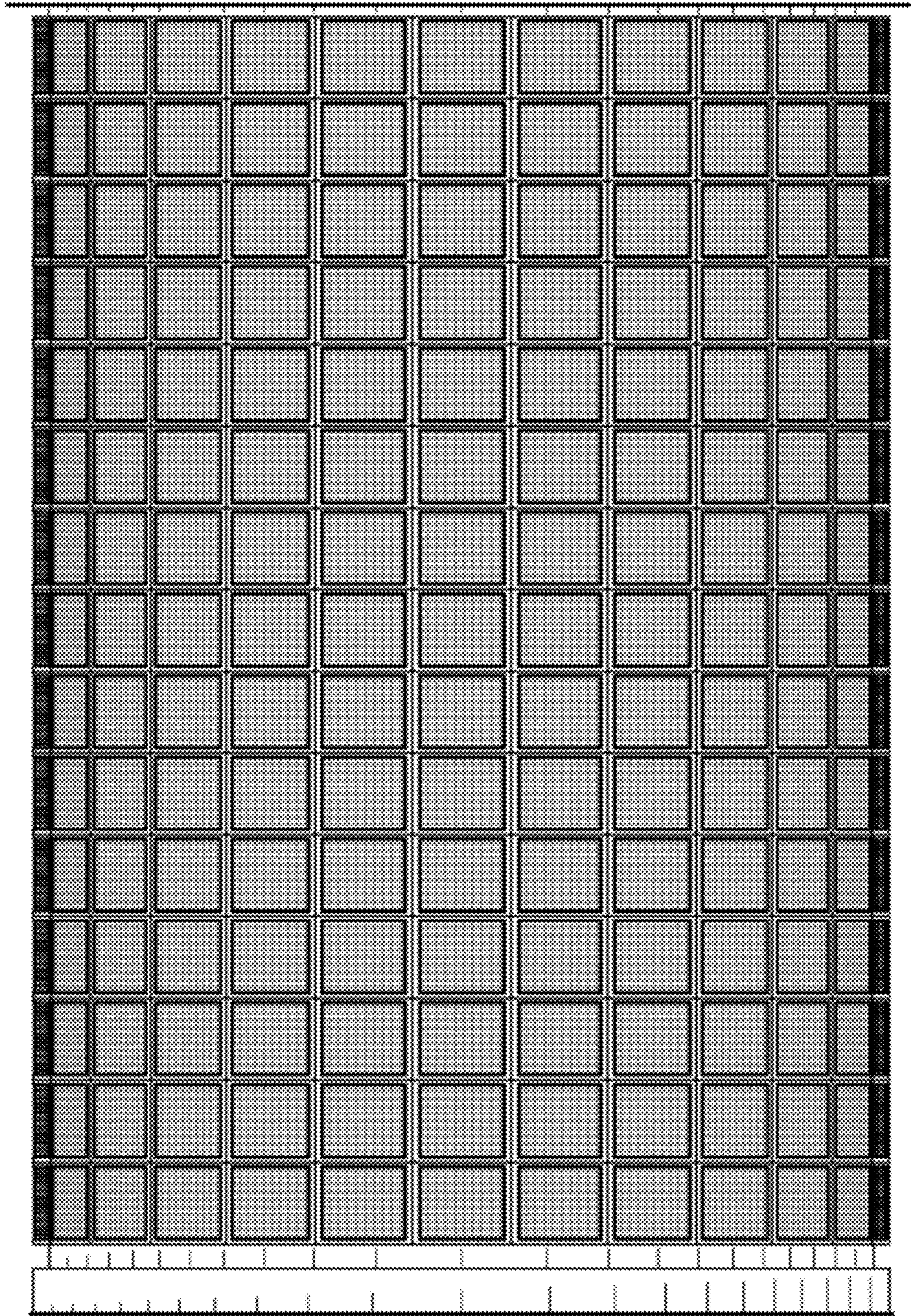


FIG. 9

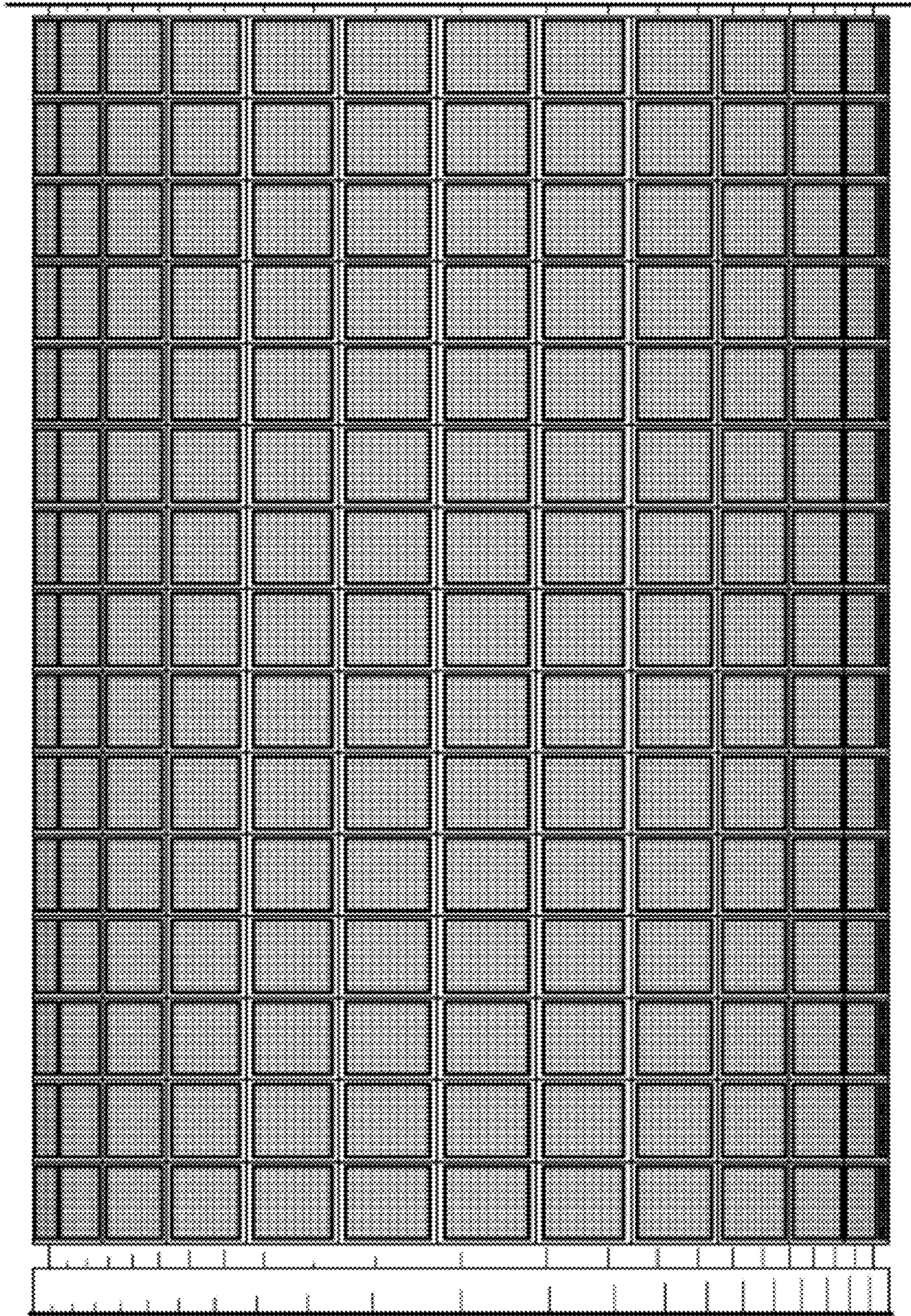


FIG. 10

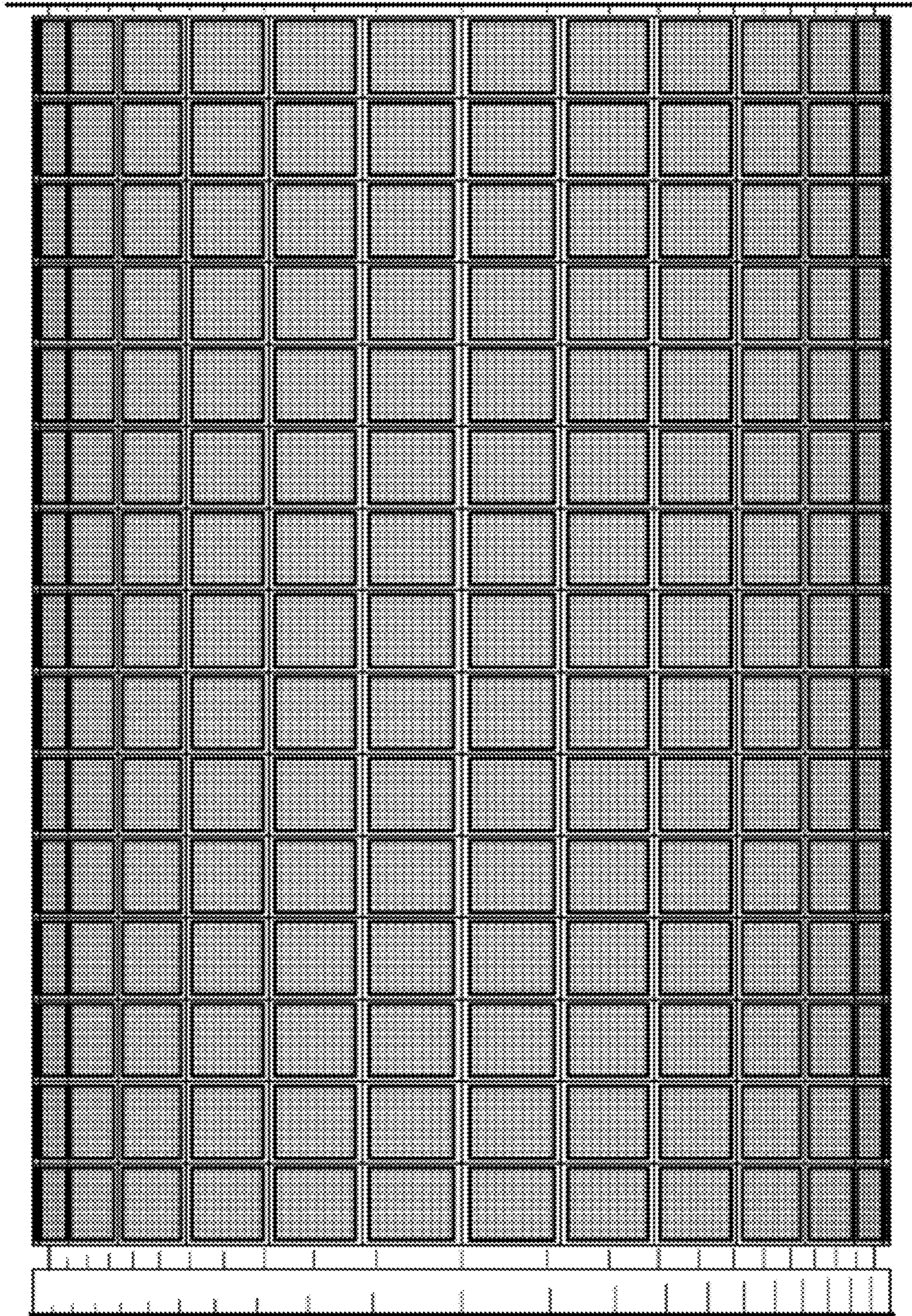


FIG. 11

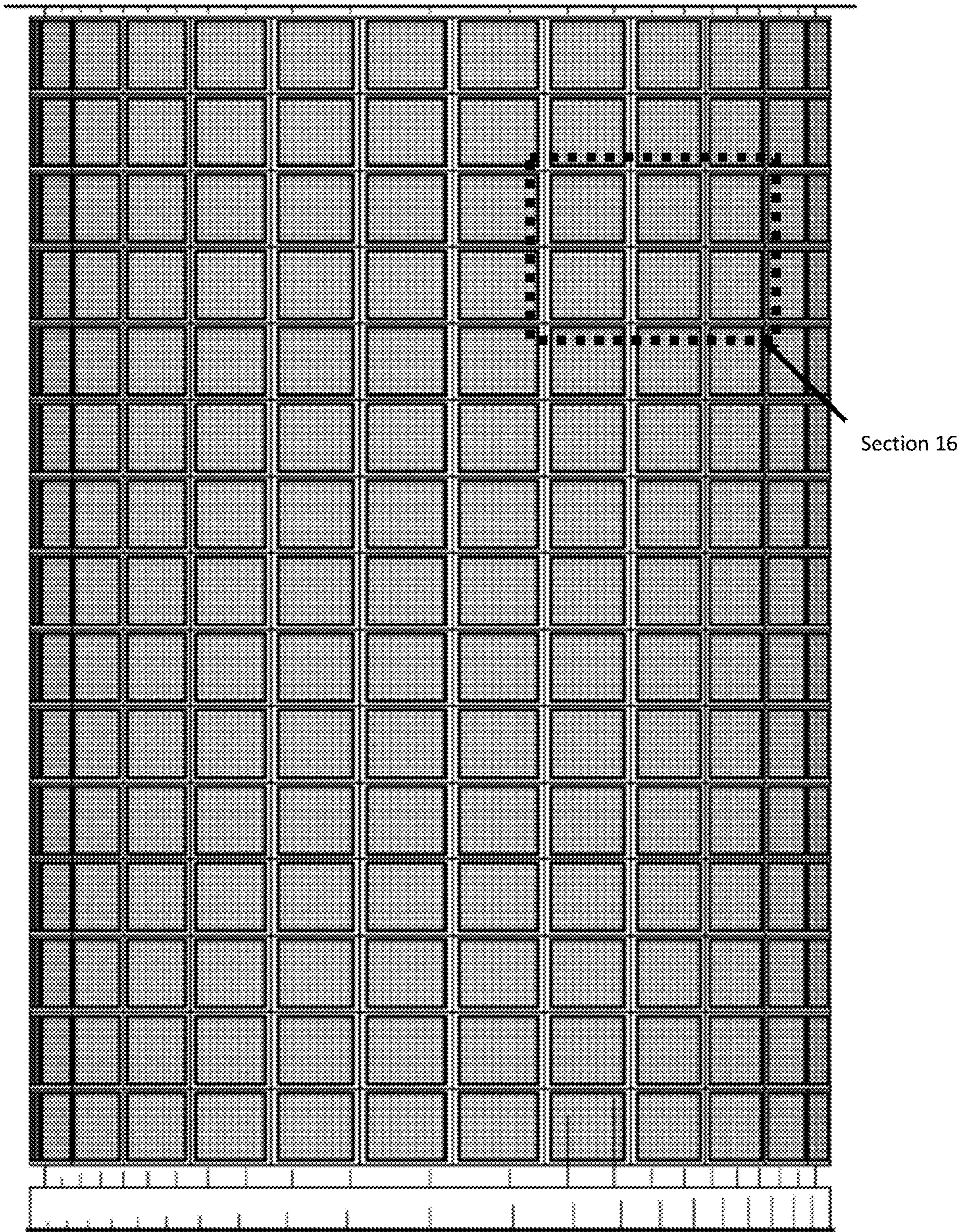


FIG. 12

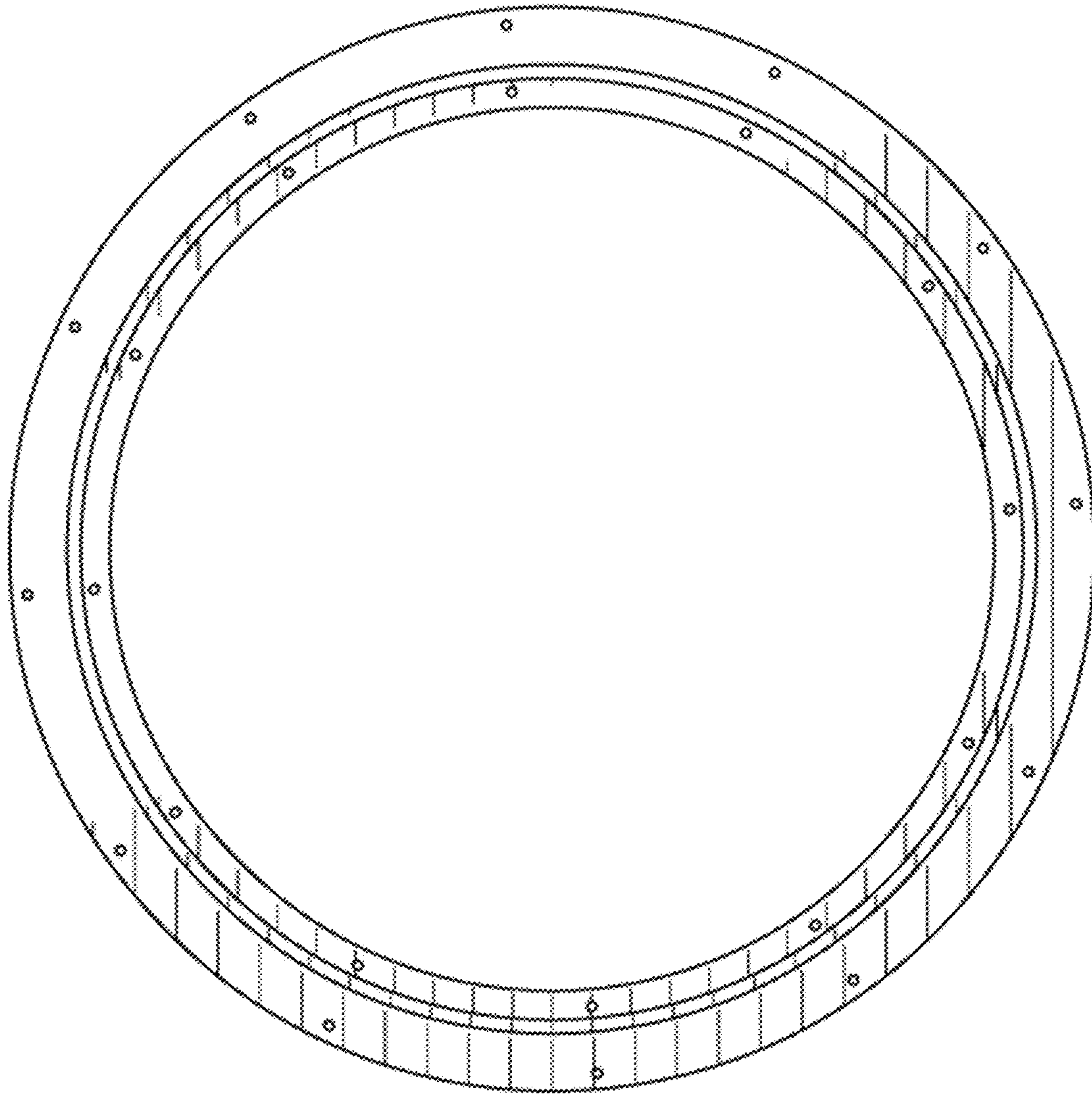


FIG. 13

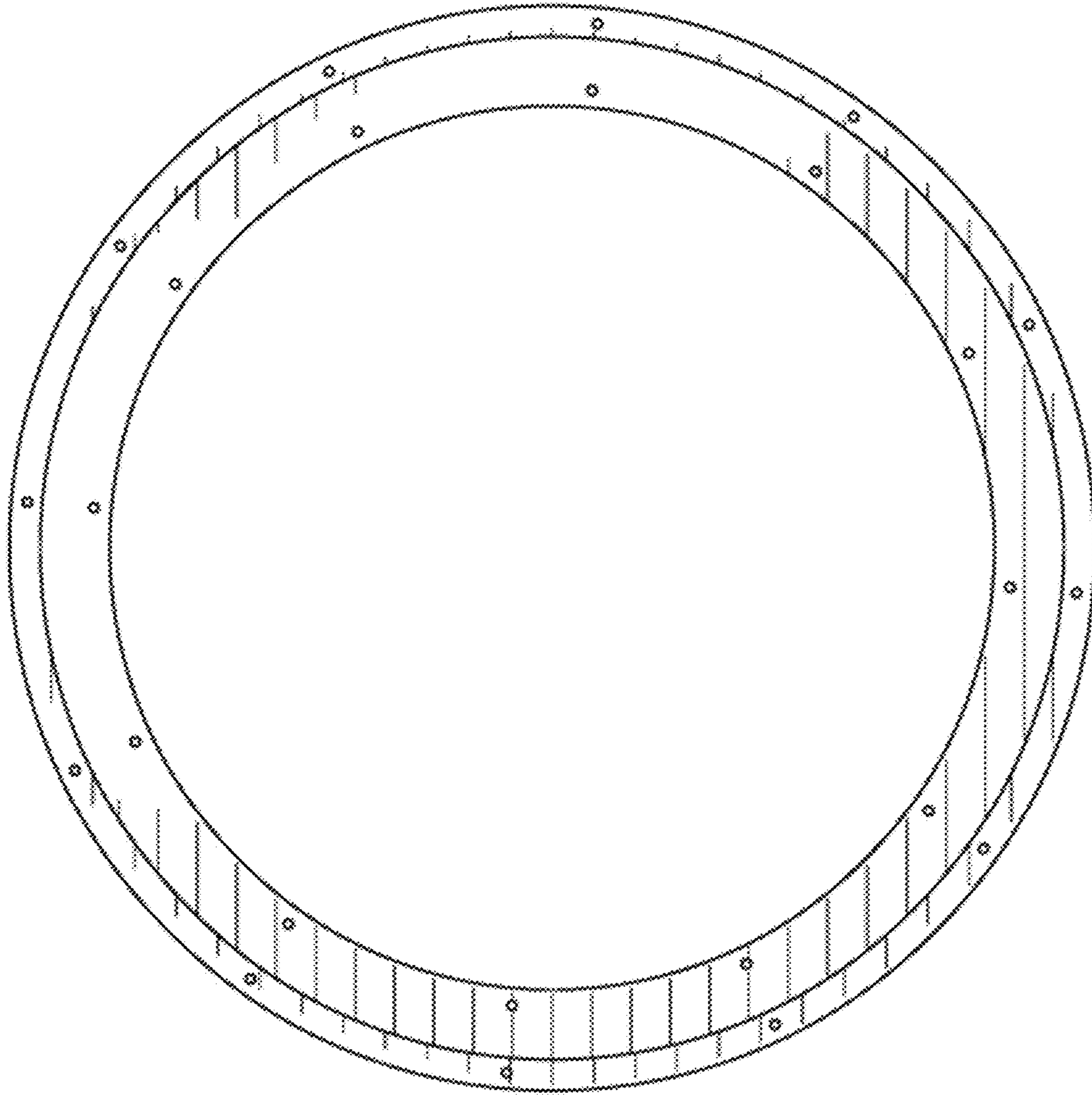


FIG. 14

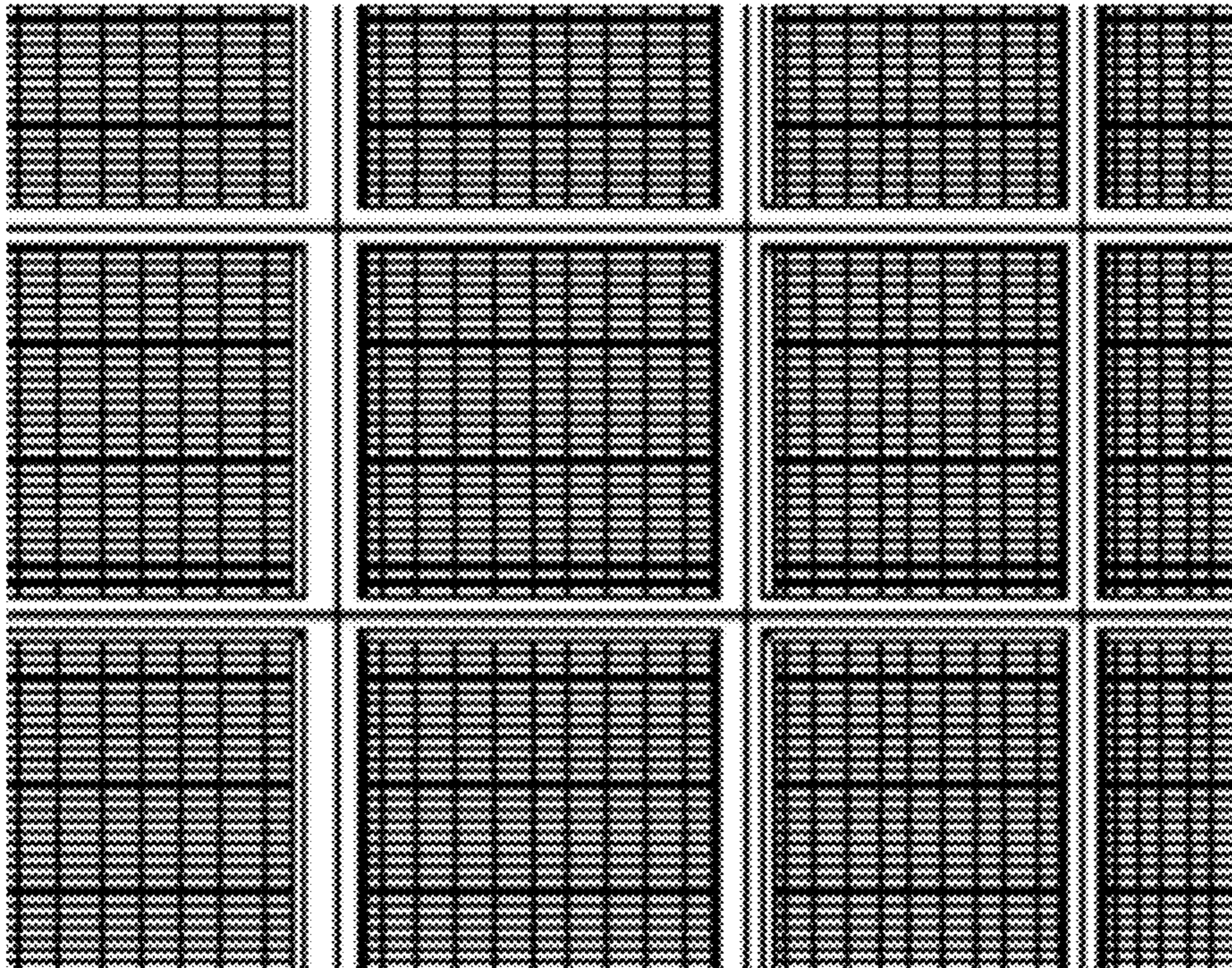


FIG. 15

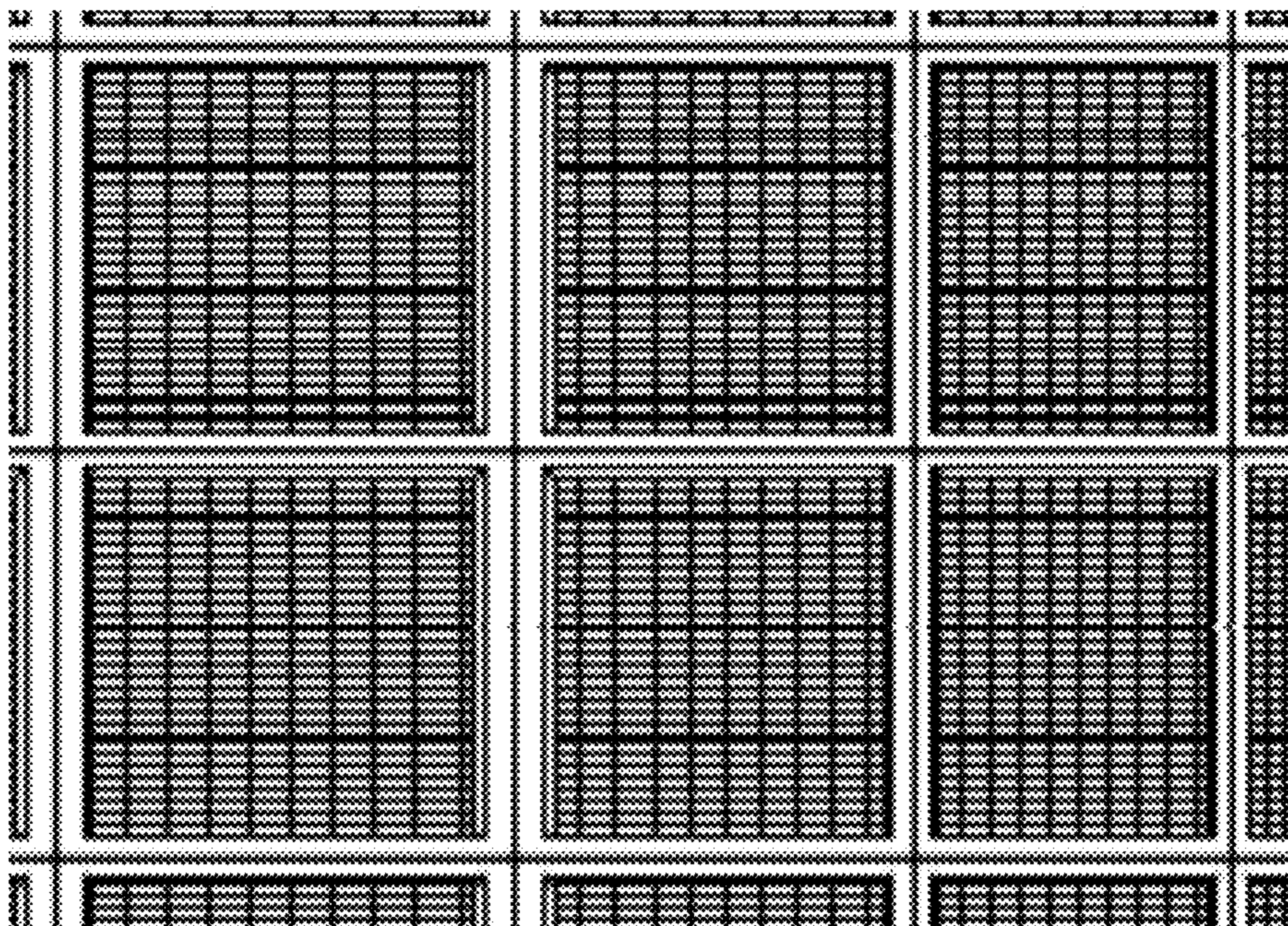


FIG. 16