



US00D915483S

(12) **United States Design Patent**
Chi

(10) **Patent No.:** **US D915,483 S**

(45) **Date of Patent:** **** Apr. 6, 2021**

(54) **HOT PRESS MODULE OF A HEATING MACHINE**

D864,267 S * 10/2019 Chi D15/146
D875,800 S * 2/2020 Chi D15/146
2019/0366460 A1* 12/2019 Chi B23K 3/087

(71) Applicant: **PROGRESS Y&Y CORP.**, New Taipei (TW)

FOREIGN PATENT DOCUMENTS

(72) Inventor: **Ming-Chih Chi**, New Taipei (TW)

CN 201752817 U * 3/2011
CN 108213645 A * 3/2018
TW 265210 U * 5/2005

(73) Assignee: **PROGRESS Y&Y CORP.**, New Taipei (TW)

* cited by examiner

(**) Term: **15 Years**

Primary Examiner — Michael C Stout

Assistant Examiner — Fritzgerald L Butac

(21) Appl. No.: **29/637,288**

(74) *Attorney, Agent, or Firm* — Guice Patents PLLC

(22) Filed: **Feb. 15, 2018**

(51) **LOC (13) Cl.** **15-99**

(52) **U.S. Cl.**

USPC **D15/146**

(58) **Field of Classification Search**

USPC D8/29.1; D10/83; D13/123, 133;
D15/122, 126, 128, 135, 136, 140, 144,
D15/144.1, 144.2, 146

CPC .. B23K 3/0653; B23K 3/087; B23K 2201/42;
H05K 3/3457

See application file for complete search history.

(57) **CLAIM**

The ornamental design for a hot press module of a heating machine, as shown and described.

DESCRIPTION

FIG. 1 is a front elevation view showing my new design for a hot press module of a heating machine; FIG. 2 is a rear elevation view thereof; FIG. 3 is a left side elevation view thereof; FIG. 4 is a right side elevation view thereof; FIG. 5 is a top plan view thereof; FIG. 6 is a bottom plan view thereof; FIG. 7 is a top, front, right perspective view thereof; FIG. 8 is a top, rear, left perspective view thereof; FIG. 9 is a bottom, front, left perspective view thereof; and, FIG. 10 is a perspective view showing the claimed design in use.

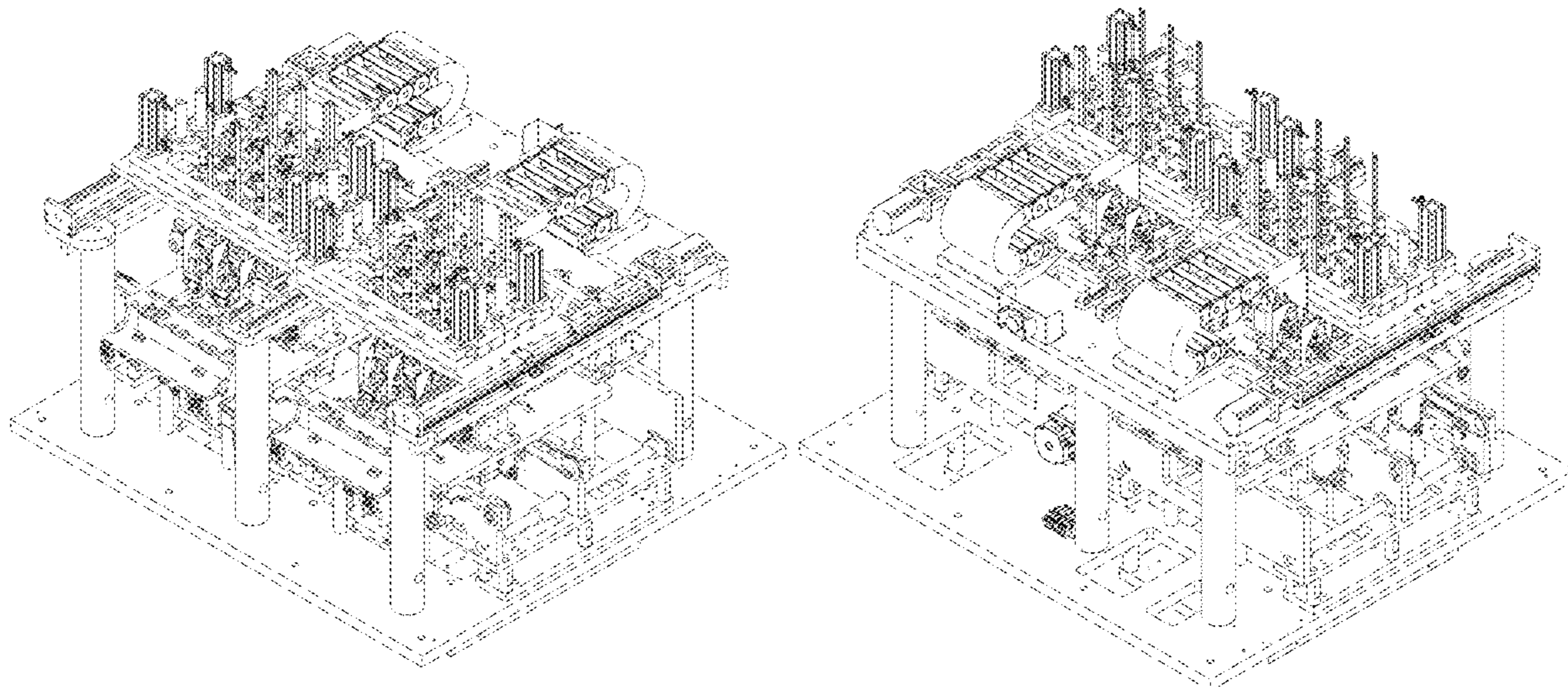
The broken lines shown are for the purpose of showing environmental structure and form no part of the claimed design.

(56) **References Cited**

U.S. PATENT DOCUMENTS

D277,864 S * 3/1985 Hoffman, Jr. D15/128
D814,538 S * 4/2018 Page B23K 37/0533
D15/144
D846,611 S * 4/2019 Chi D15/144
D854,064 S * 7/2019 Mayer D15/144
D864,266 S * 10/2019 Chi D15/146

1 Claim, 10 Drawing Sheets



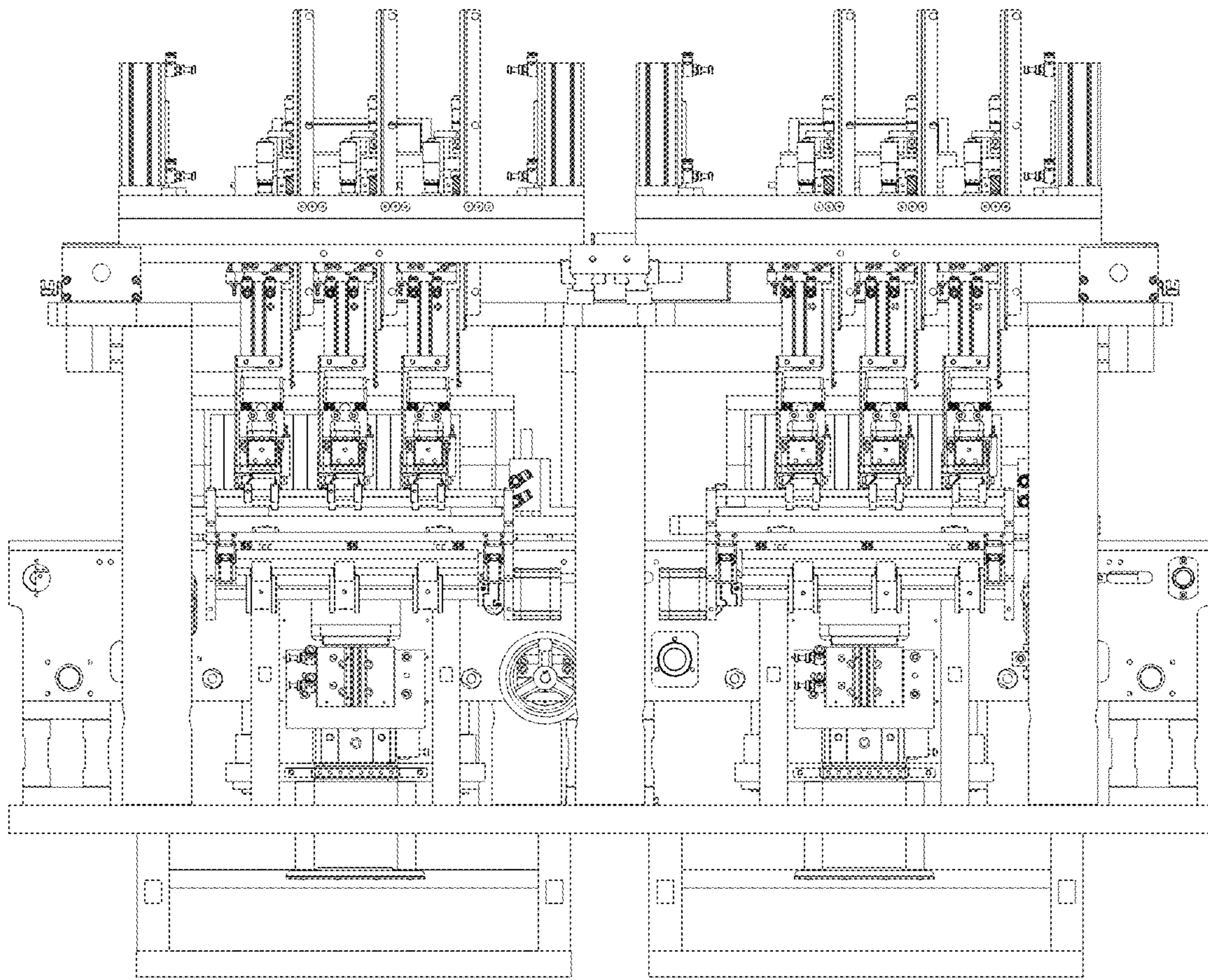


FIG. 1

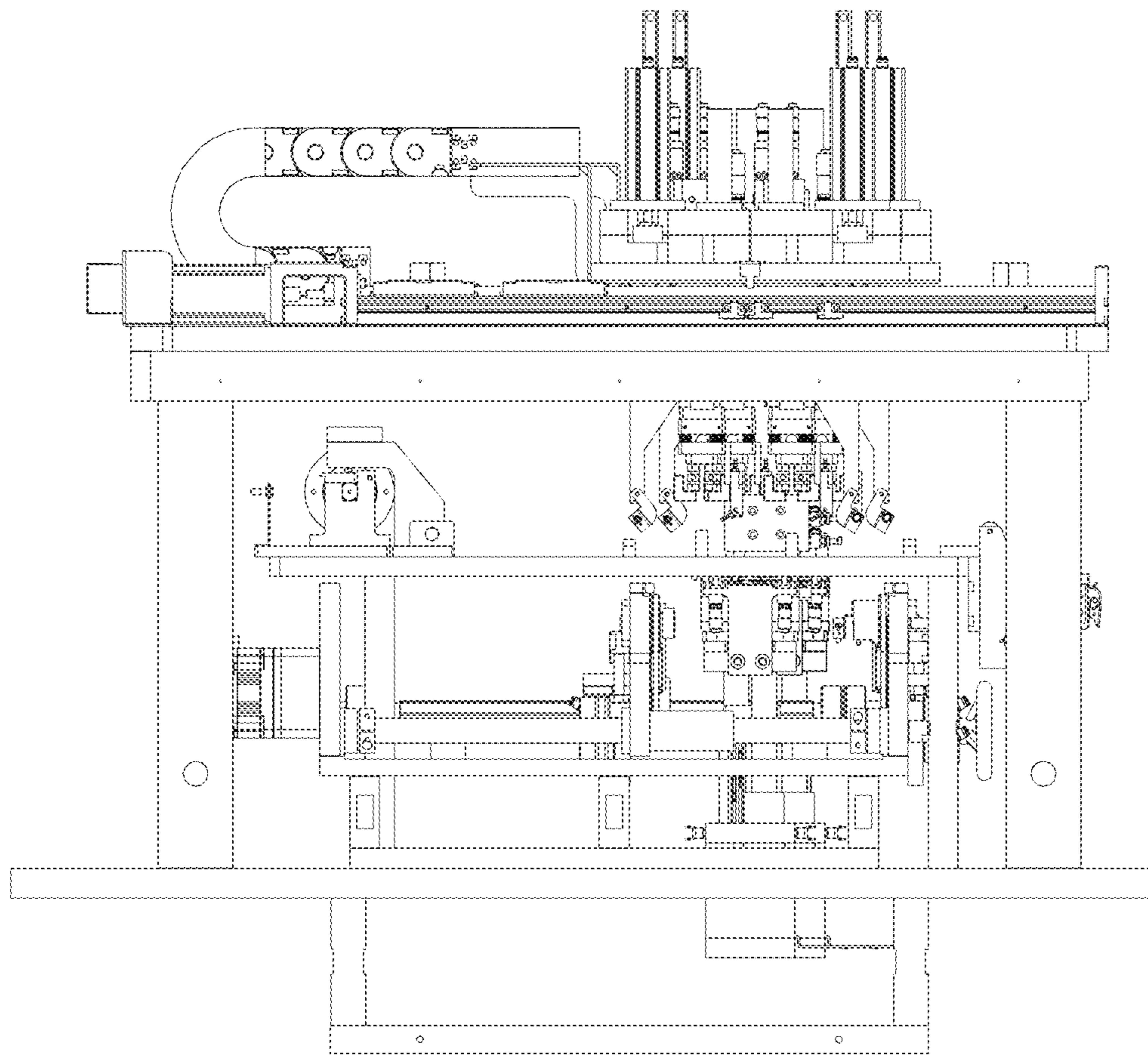


FIG.3

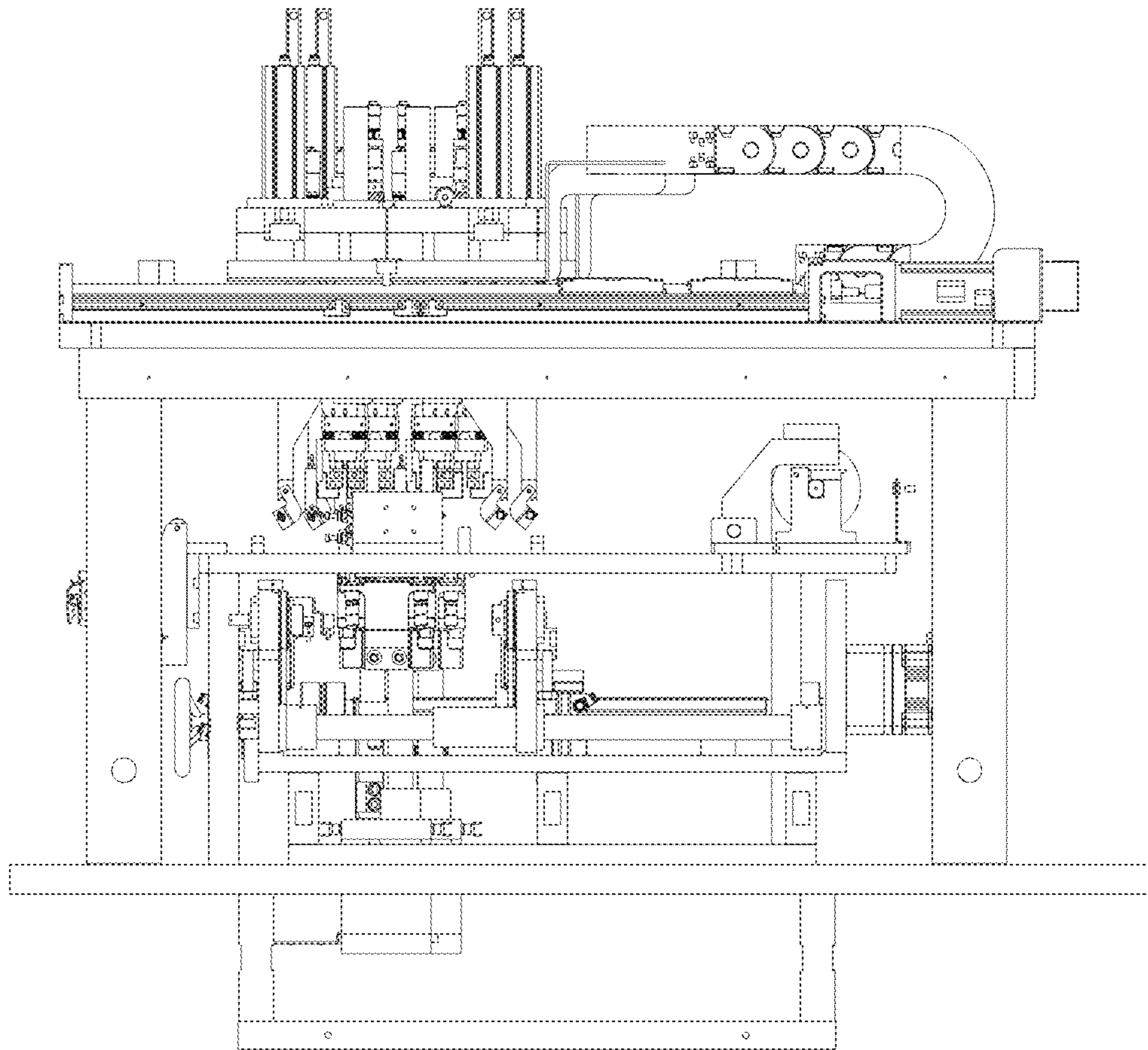


FIG.4

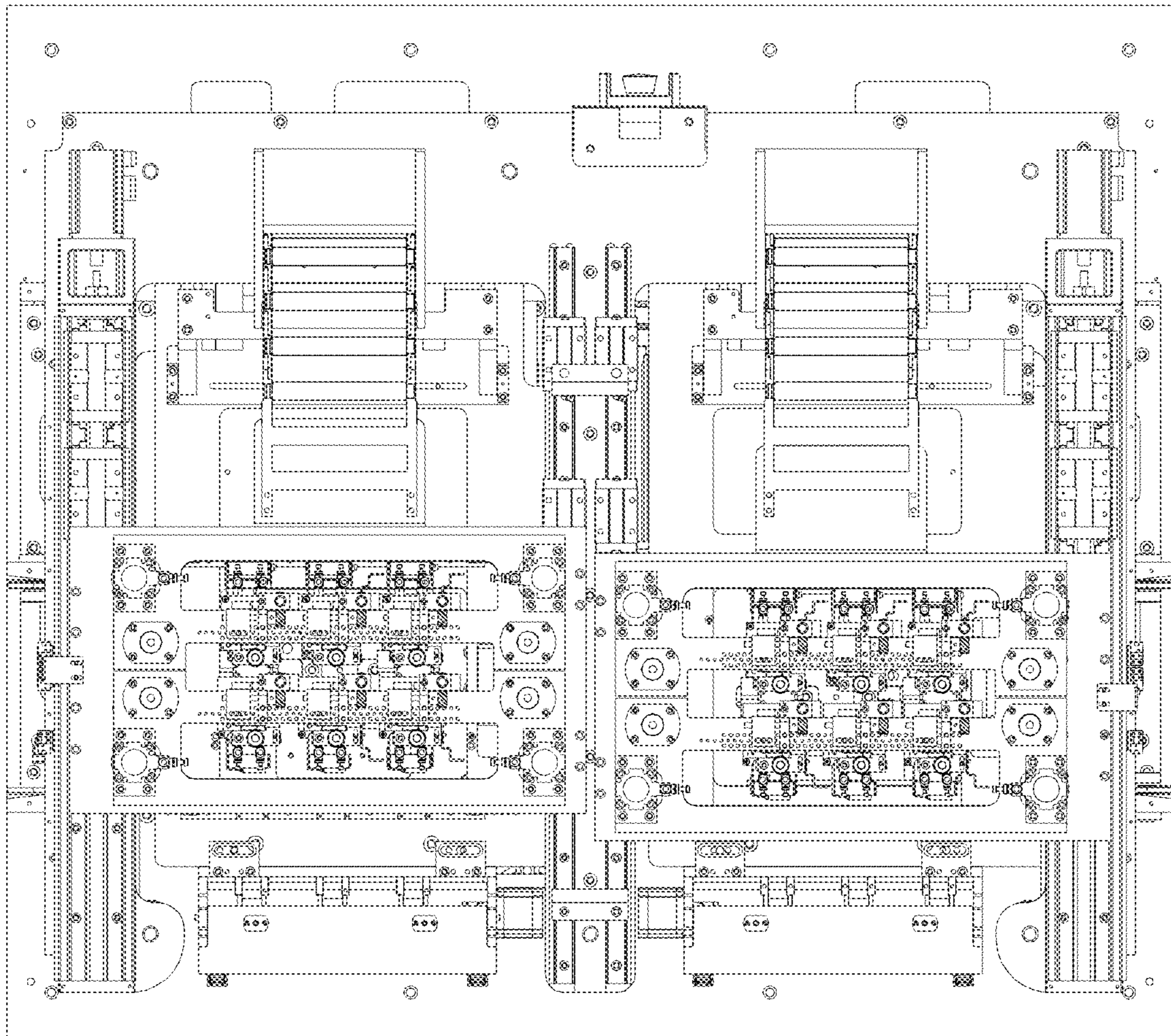


FIG.5

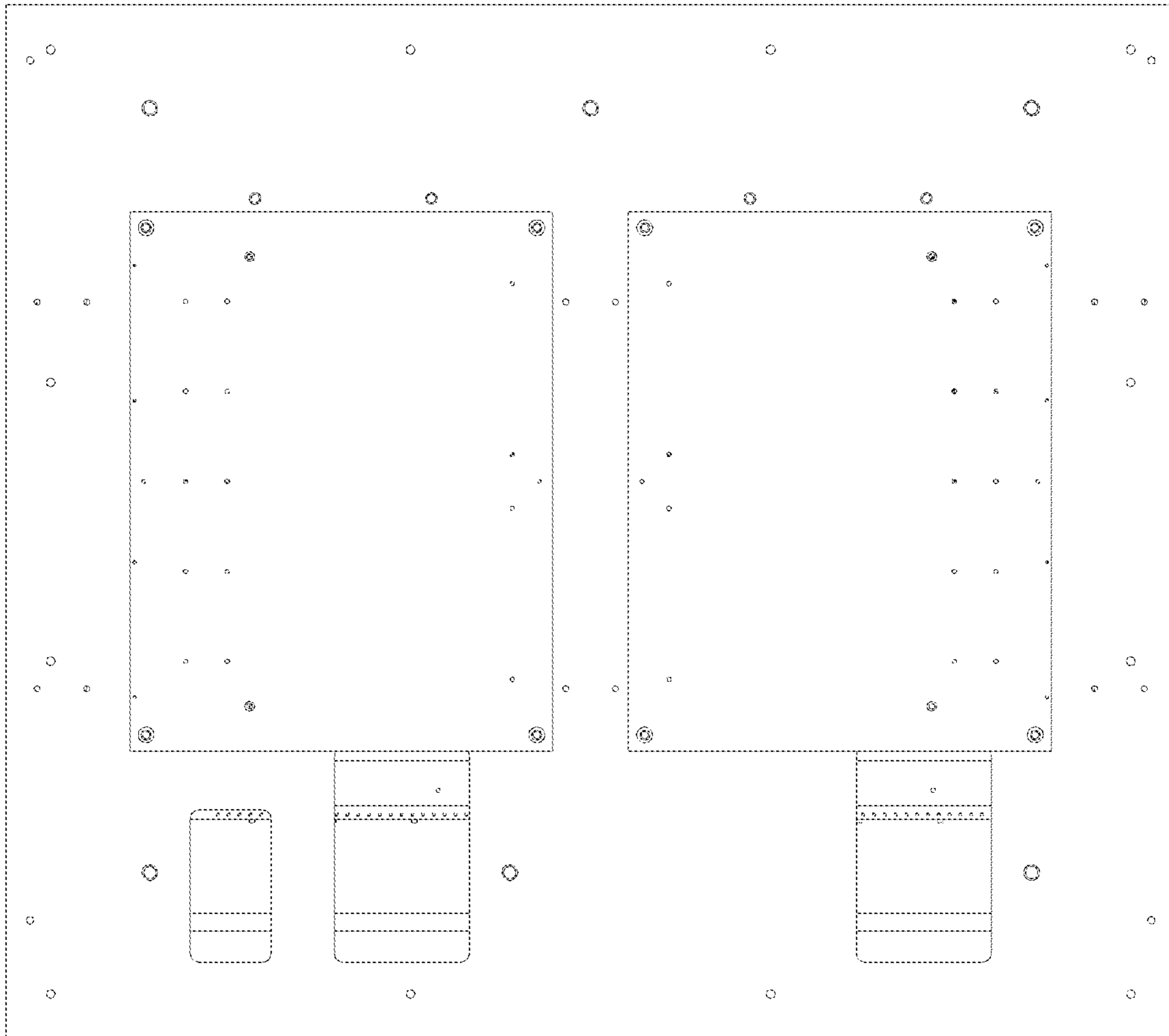


FIG.6

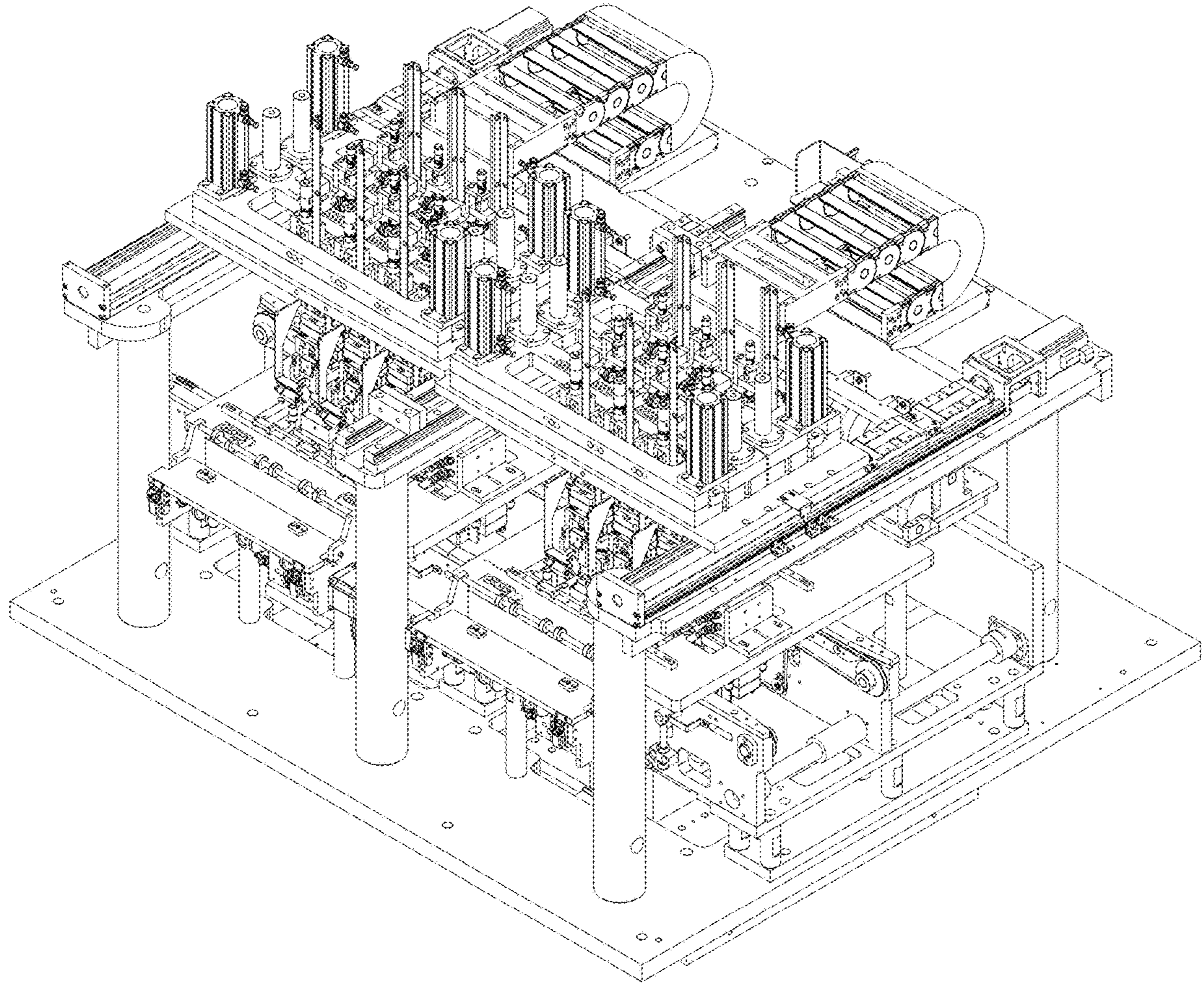


FIG. 7

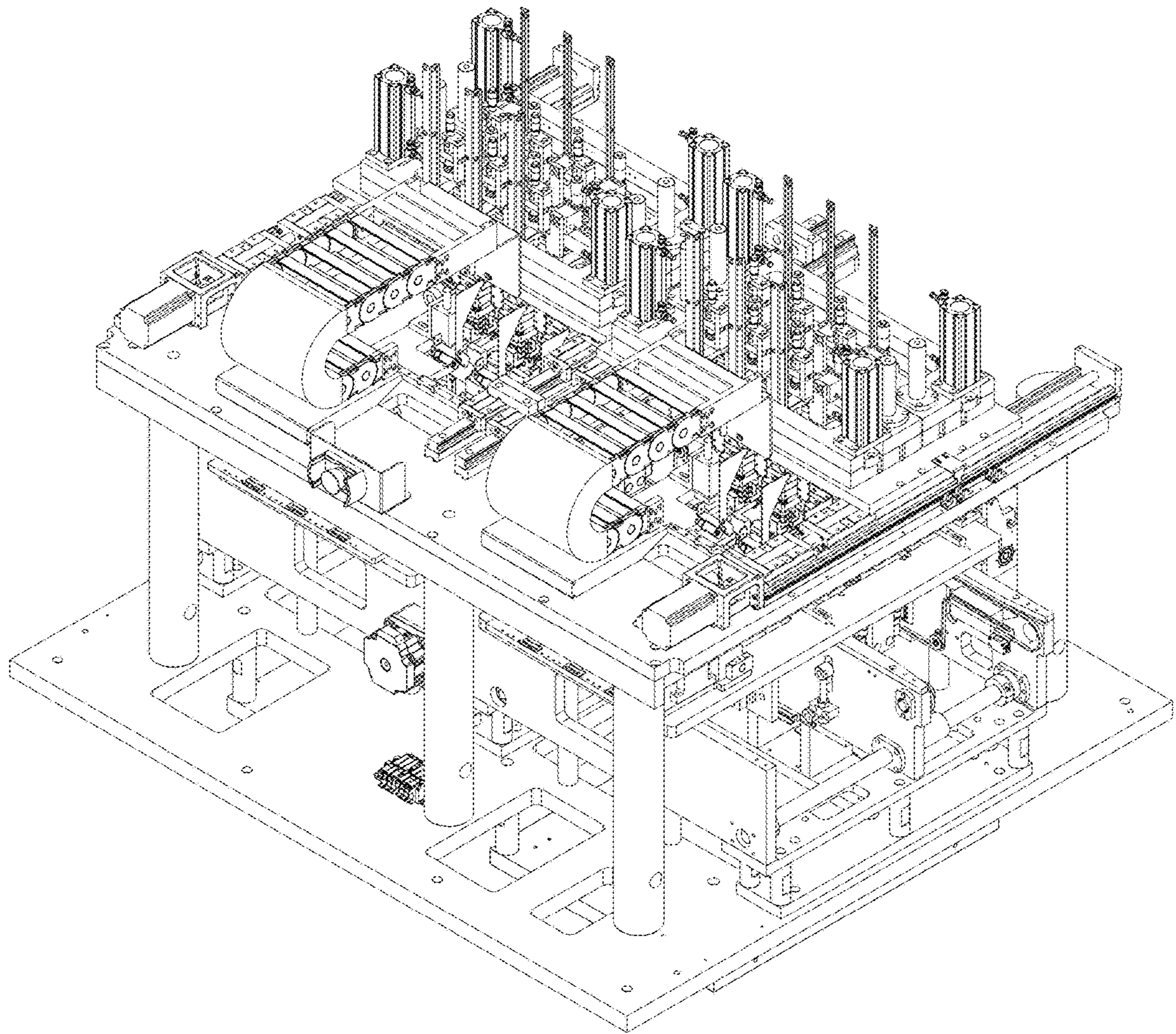


FIG.8

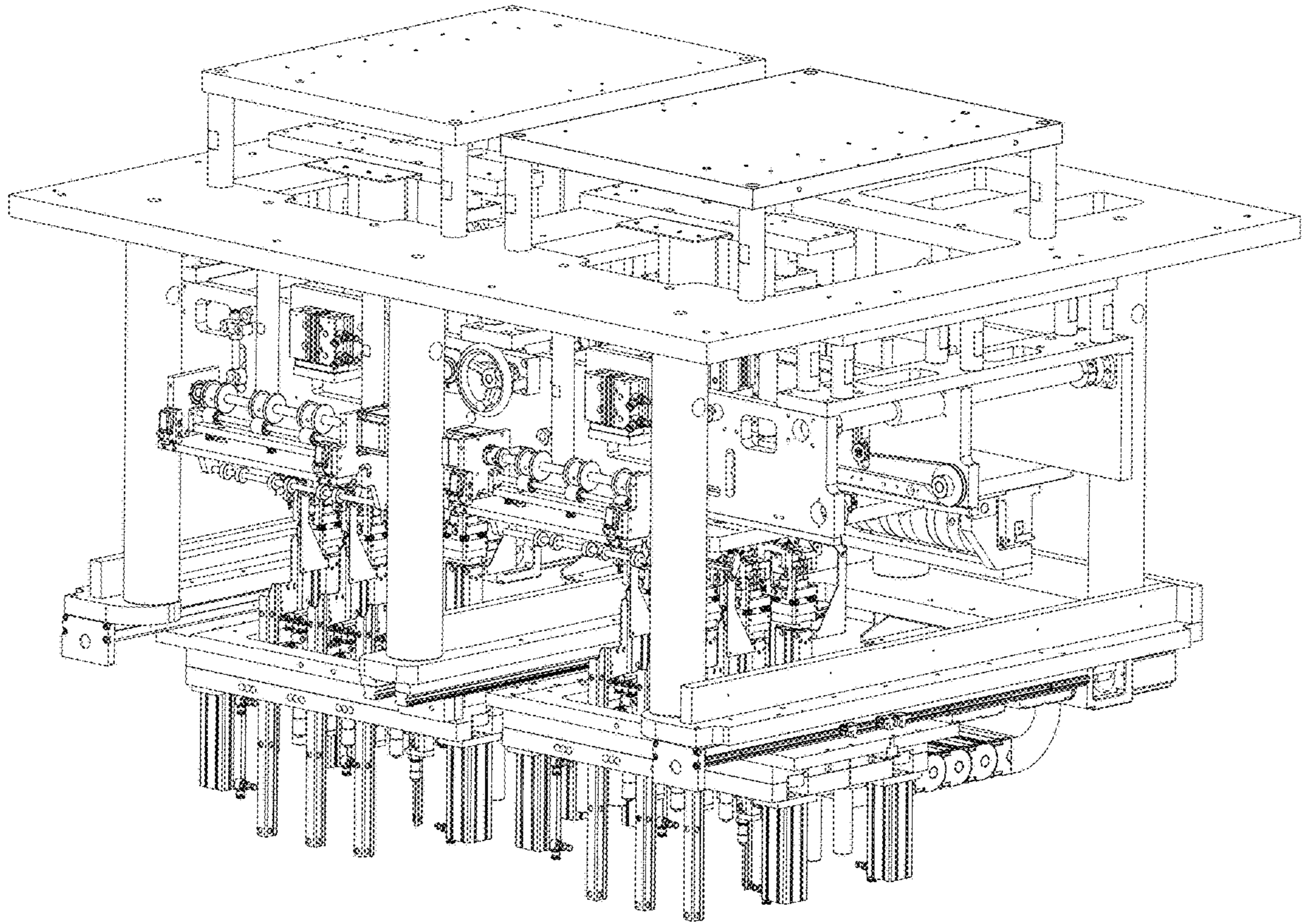


FIG.9

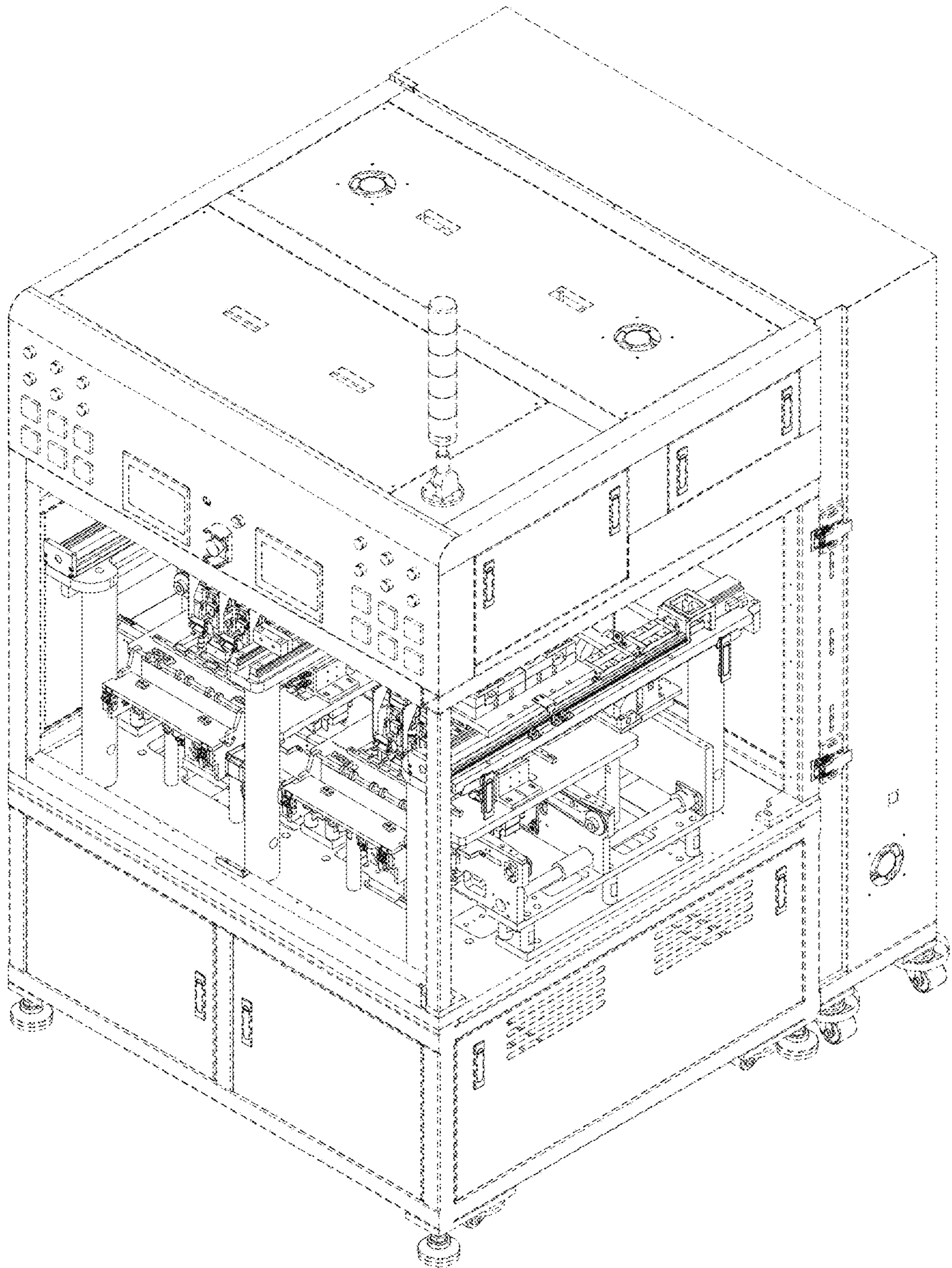


FIG.10