



US00D915481S

(12) **United States Design Patent** (10) **Patent No.:** **US D915,481 S**
Benes (45) **Date of Patent:** **** Apr. 6, 2021**

- (54) **LID APPLICATOR PAWL AND GUIDE**
- (71) Applicant: **David J. Benes**, Elkhorn, NE (US)
- (72) Inventor: **David J. Benes**, Elkhorn, NE (US)
- (**) Term: **15 Years**
- (21) Appl. No.: **29/710,134**
- (22) Filed: **Oct. 21, 2019**
- (51) **LOC (13) Cl.** **15-99**
- (52) **U.S. Cl.**
USPC **D15/145**
- (58) **Field of Classification Search**
USPC D15/145, 146; D8/14, 51, 70, 98
CPC B65B 17/025; B65B 43/44; B65B 35/44
See application file for complete search history.

(56) **References Cited**

U.S. PATENT DOCUMENTS

- 3,959,949 A * 6/1976 Benno G05G 1/10
53/398
- 4,070,850 A * 1/1978 Cunningham B65B 17/025
53/48.4
- 4,121,712 A * 10/1978 Cunningham B65D 71/504
206/150
- 5,233,811 A * 8/1993 Odum B65B 17/025
53/48.4
- 5,791,121 A * 8/1998 Bernier B65B 17/025
53/390

- 6,170,225 B1 * 1/2001 Cervantes B65B 61/06
53/48.4
- 10,358,239 B2 * 7/2019 Daniel B65B 35/44
- 2013/0263557 A1 * 10/2013 Bates B65B 17/025
53/398

* cited by examiner

Primary Examiner — Philip S Hyder
(74) *Attorney, Agent, or Firm* — Dennis L. Thomte;
Thomte Patent Law Office LLC

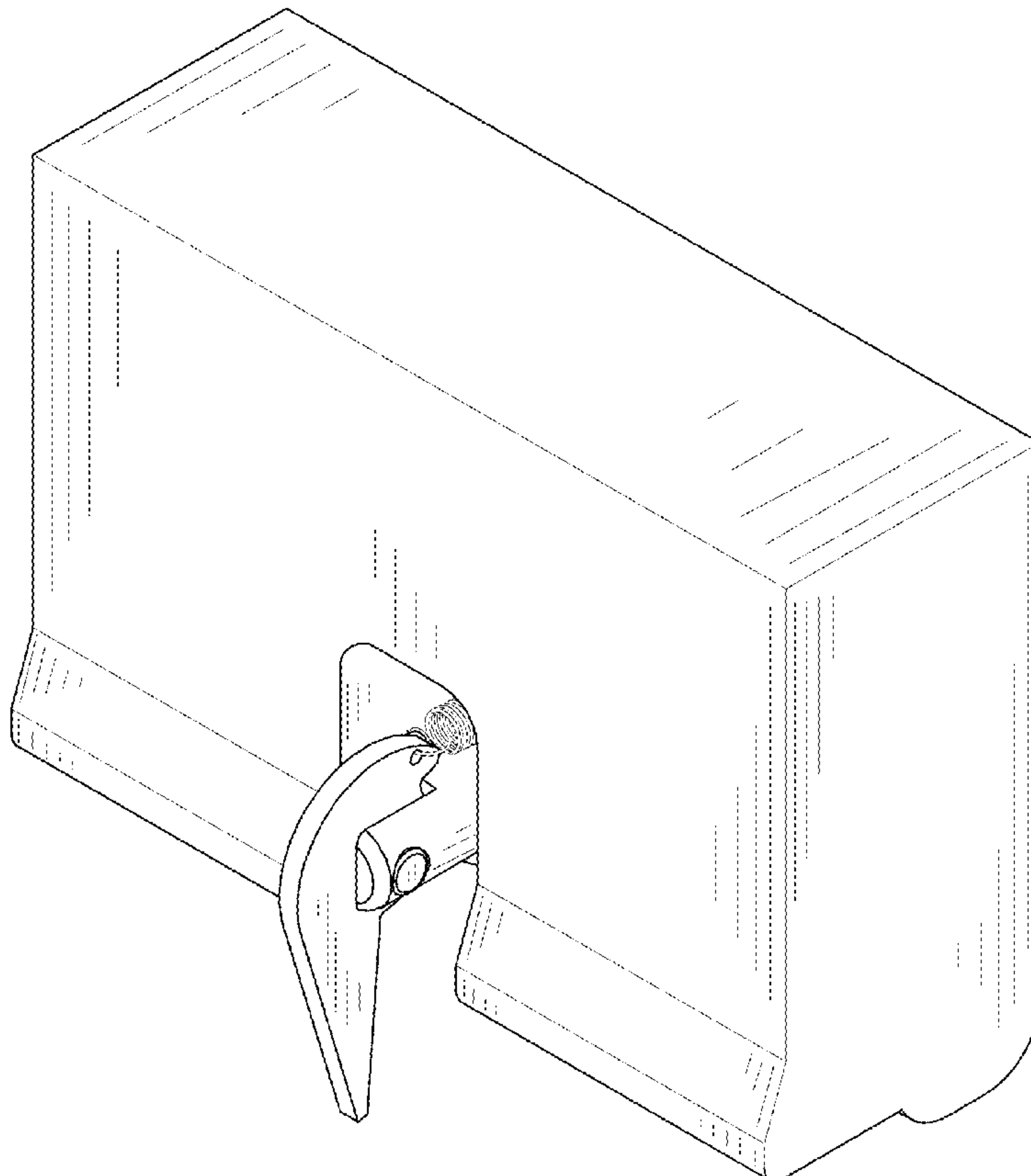
(57) **CLAIM**

The ornamental design for a lid applicator pawl and guide, as shown and described.

DESCRIPTION

FIG. 1 is a front perspective view of the lid applicator pawl and guide of this invention;
 FIG. 2 is a top view of the lid applicator pawl and guide of this invention;
 FIG. 3 is a front view of the lid applicator pawl and guide of this invention;
 FIG. 4 is a side view of the lid applicator pawl and guide of this invention;
 FIG. 5 is a rear view of the lid applicator pawl and guide of this invention;
 FIG. 6 is a side view of the lid applicator pawl and guide of this invention; and,
 FIG. 7 is a bottom view of the lid applicator pawl and guide of this invention.

1 Claim, 4 Drawing Sheets



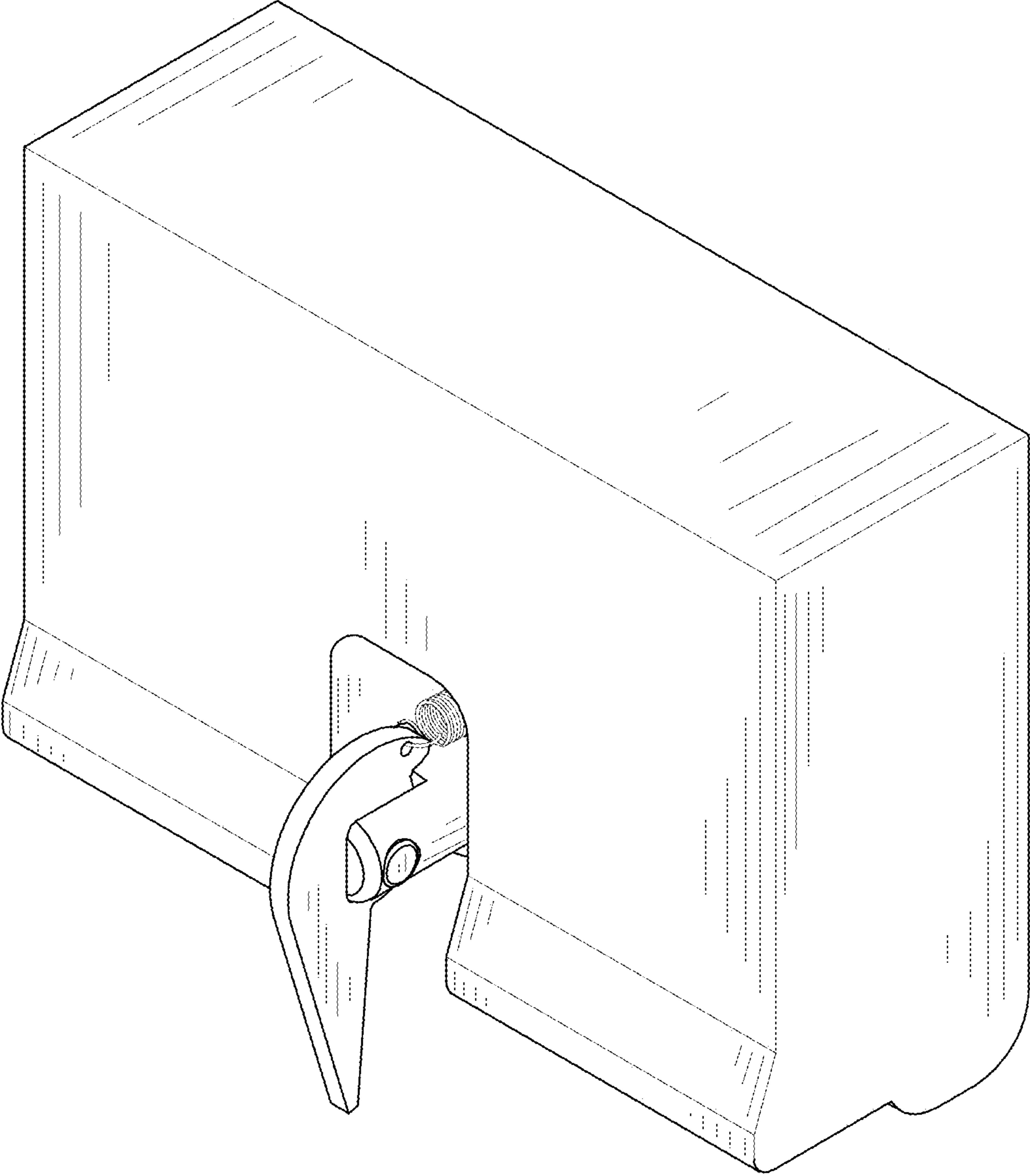


FIG. 1

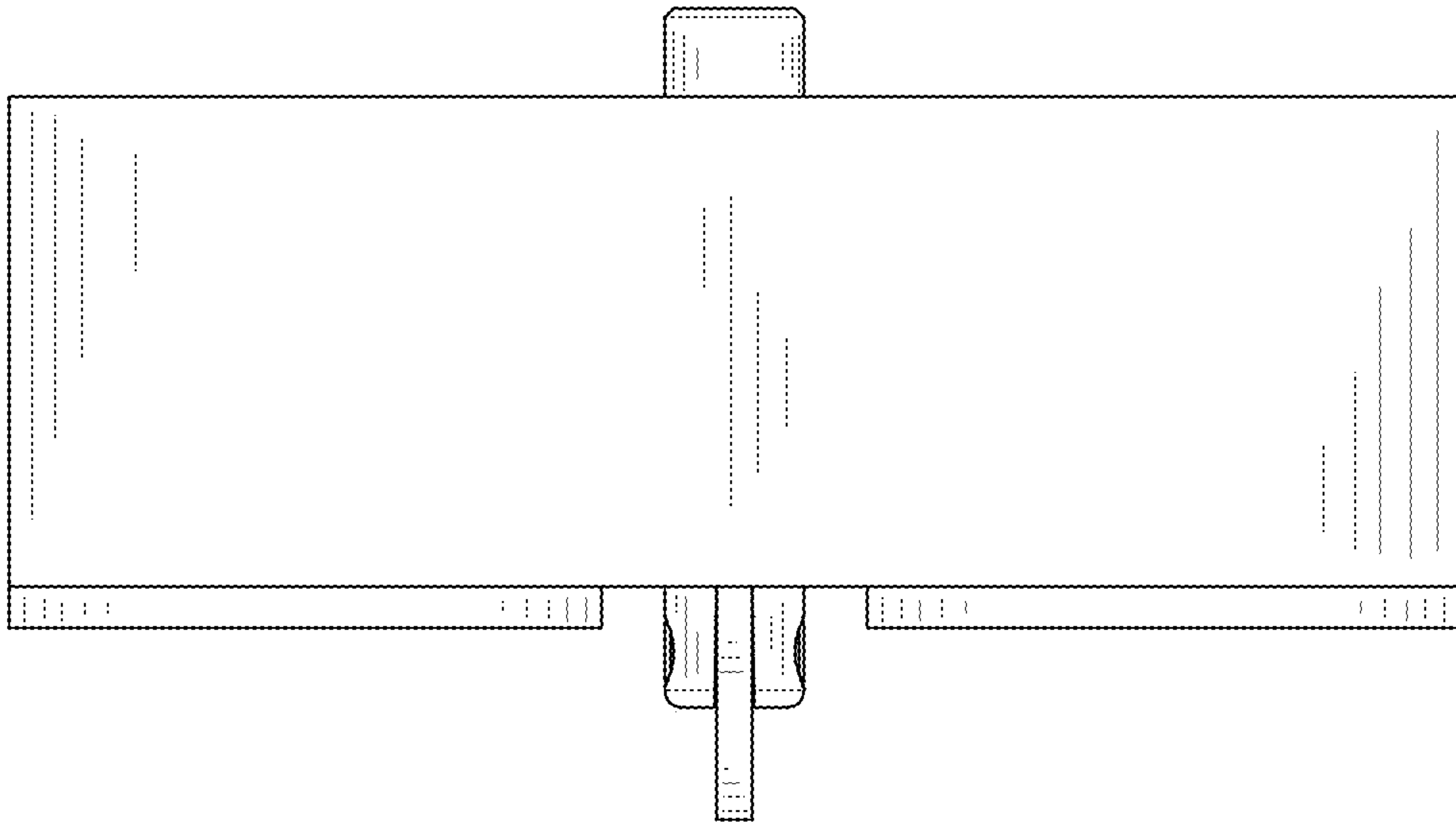


FIG. 2

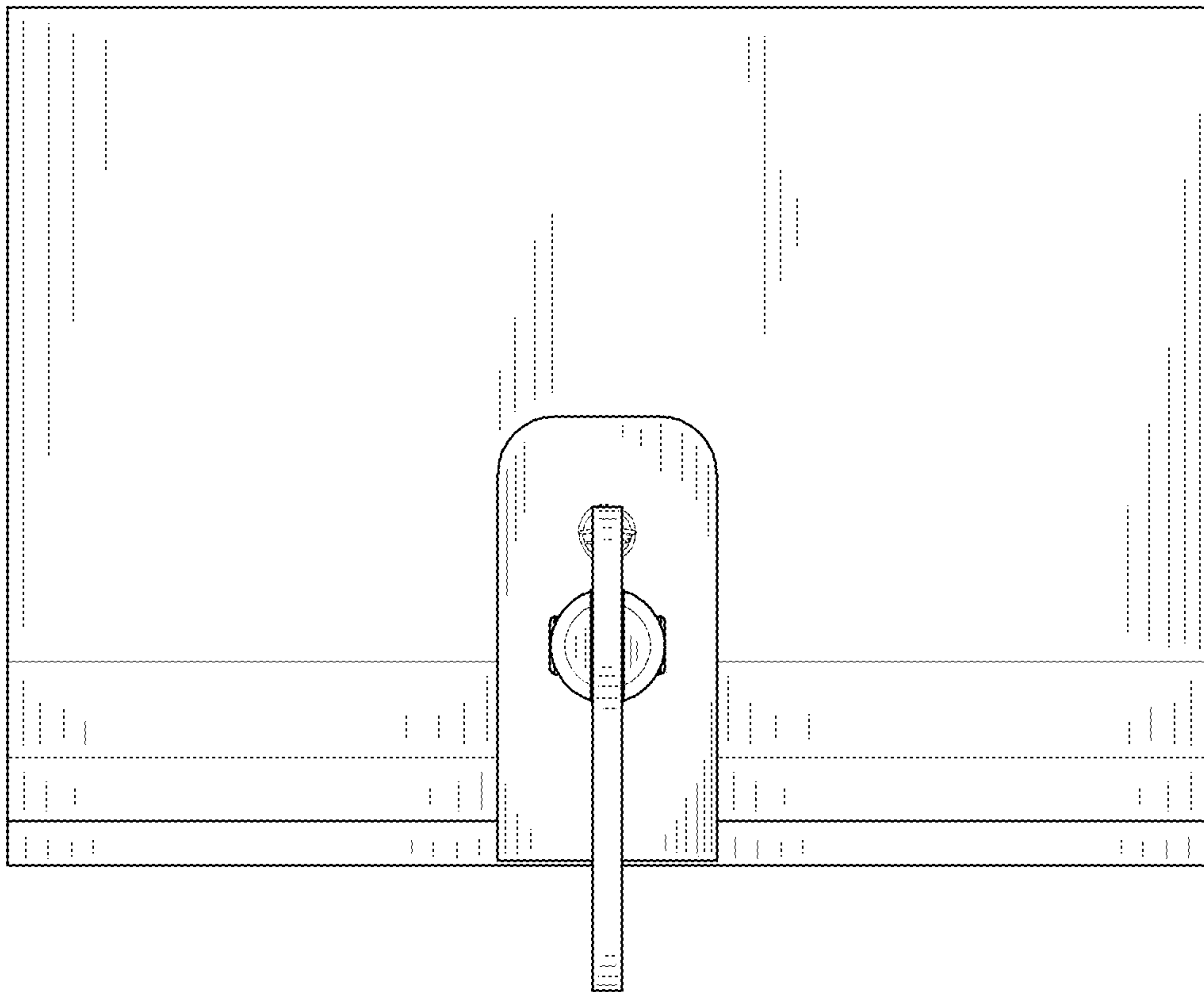


FIG. 3

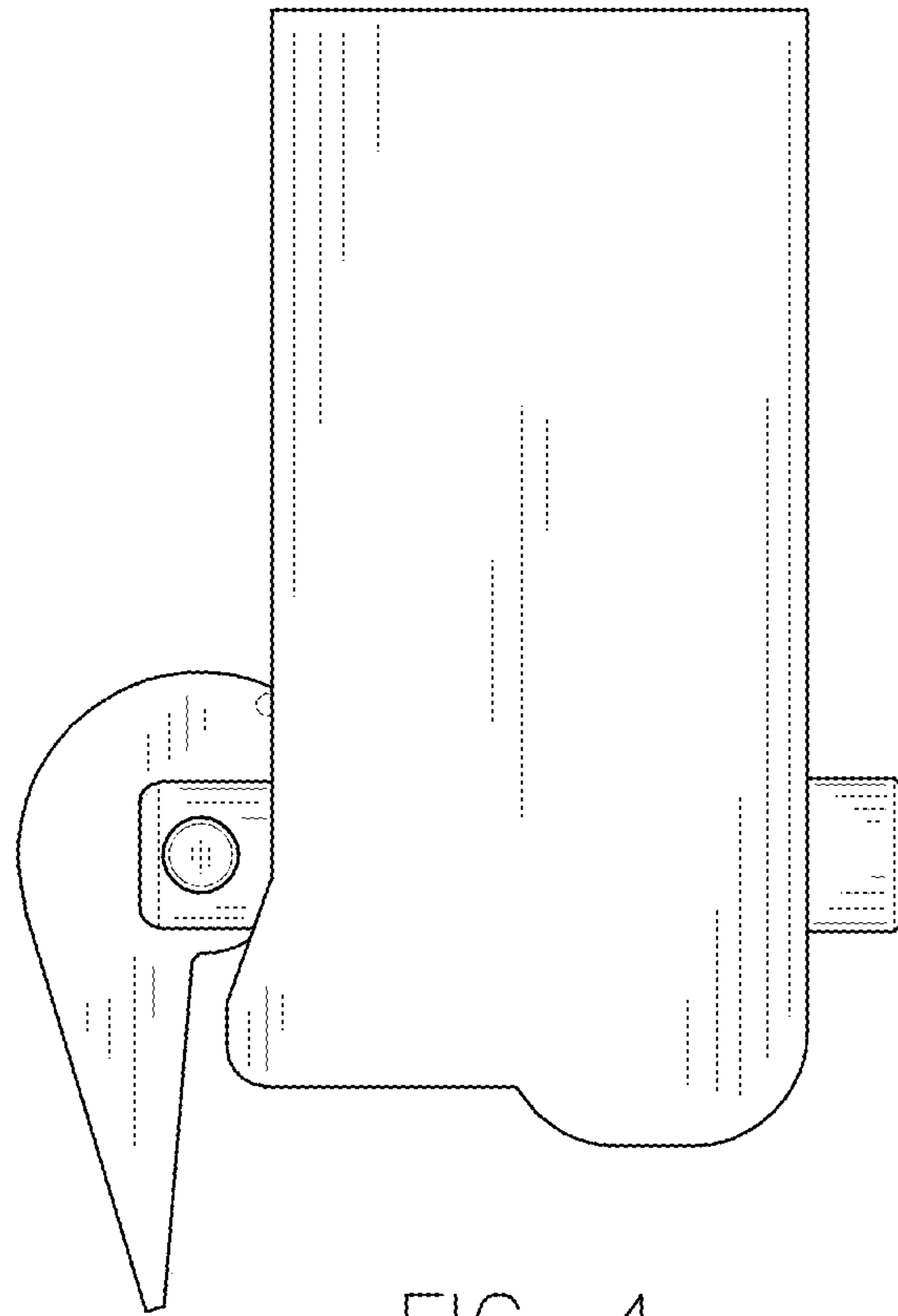


FIG. 4

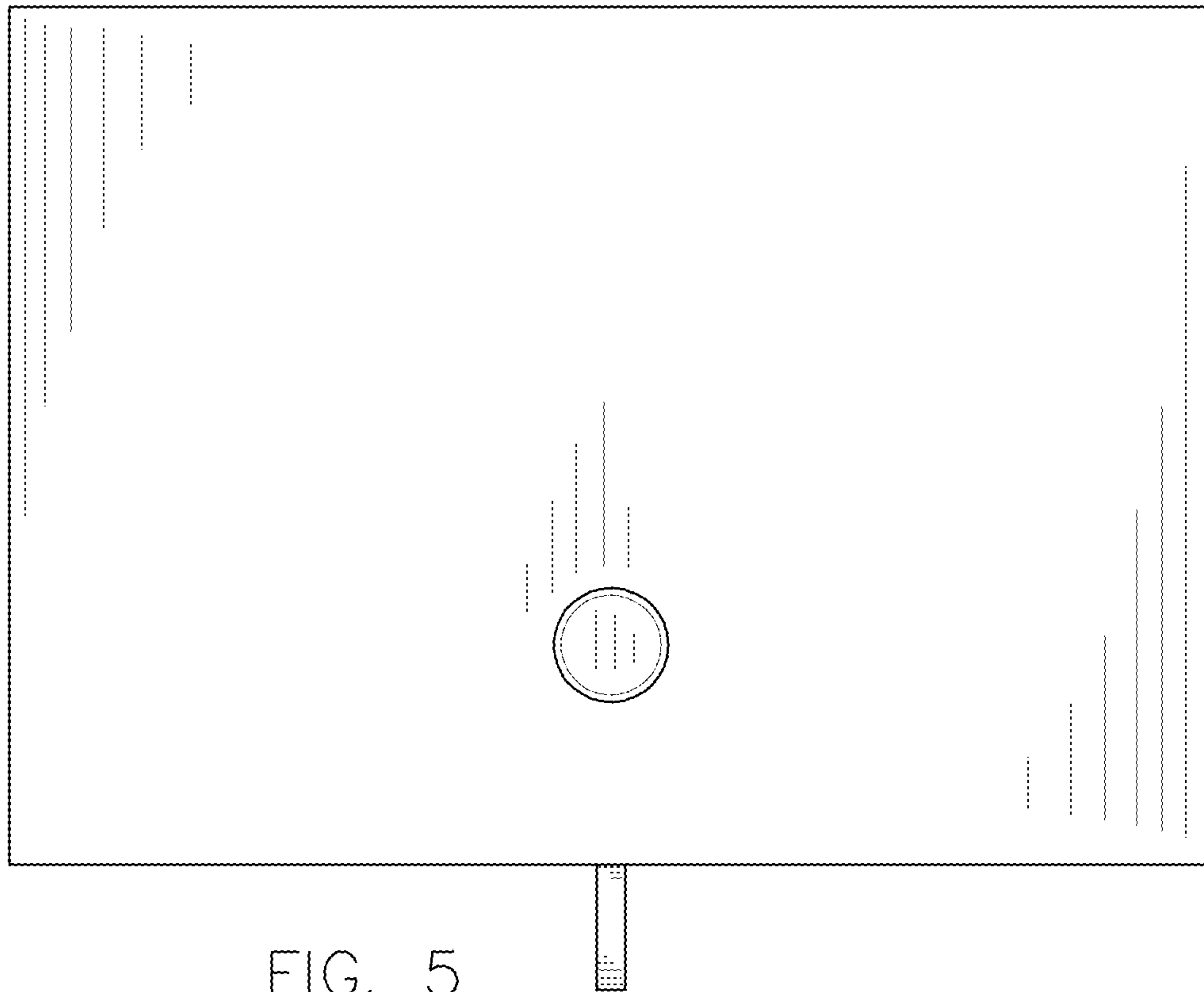


FIG. 5

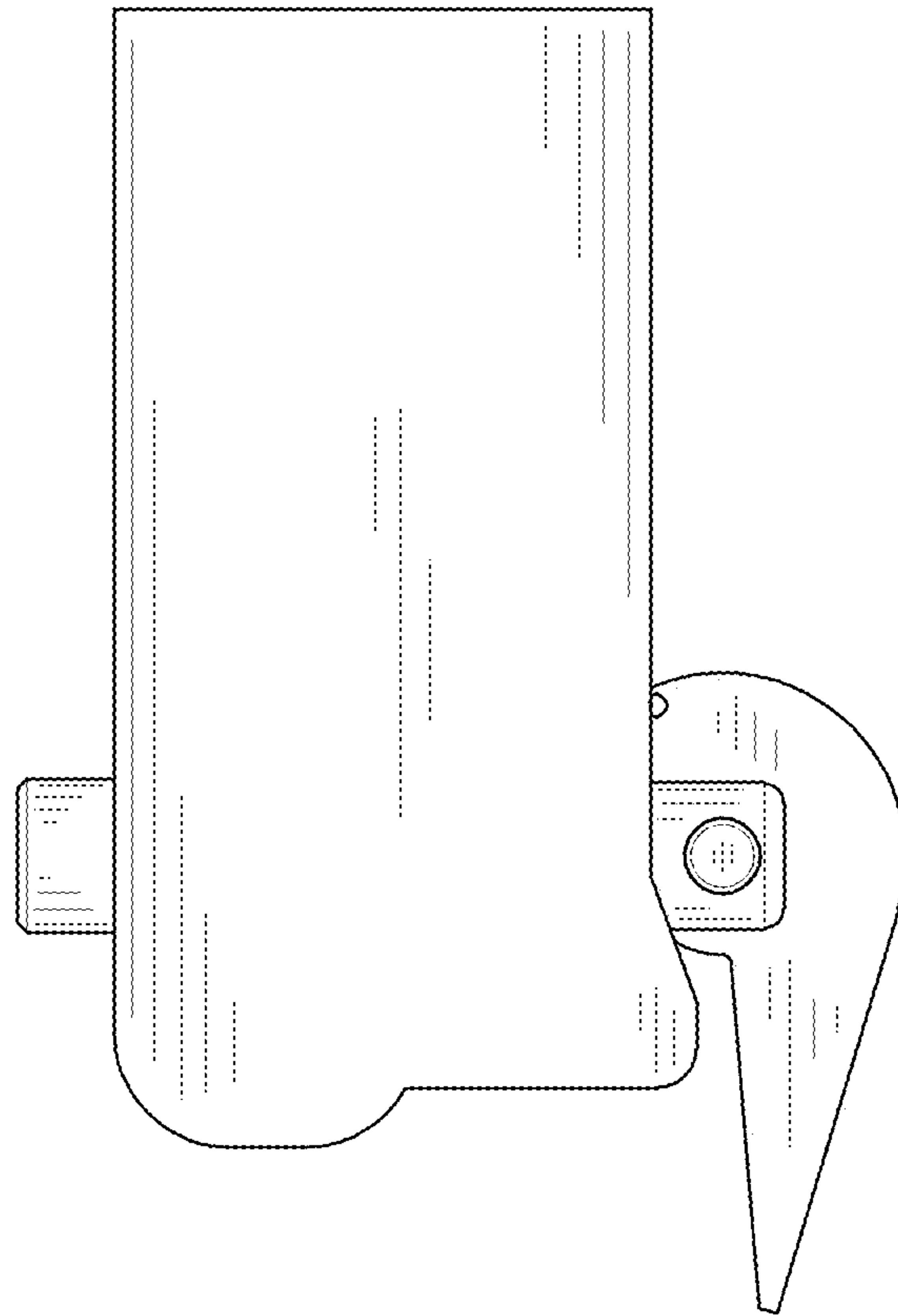


FIG. 6

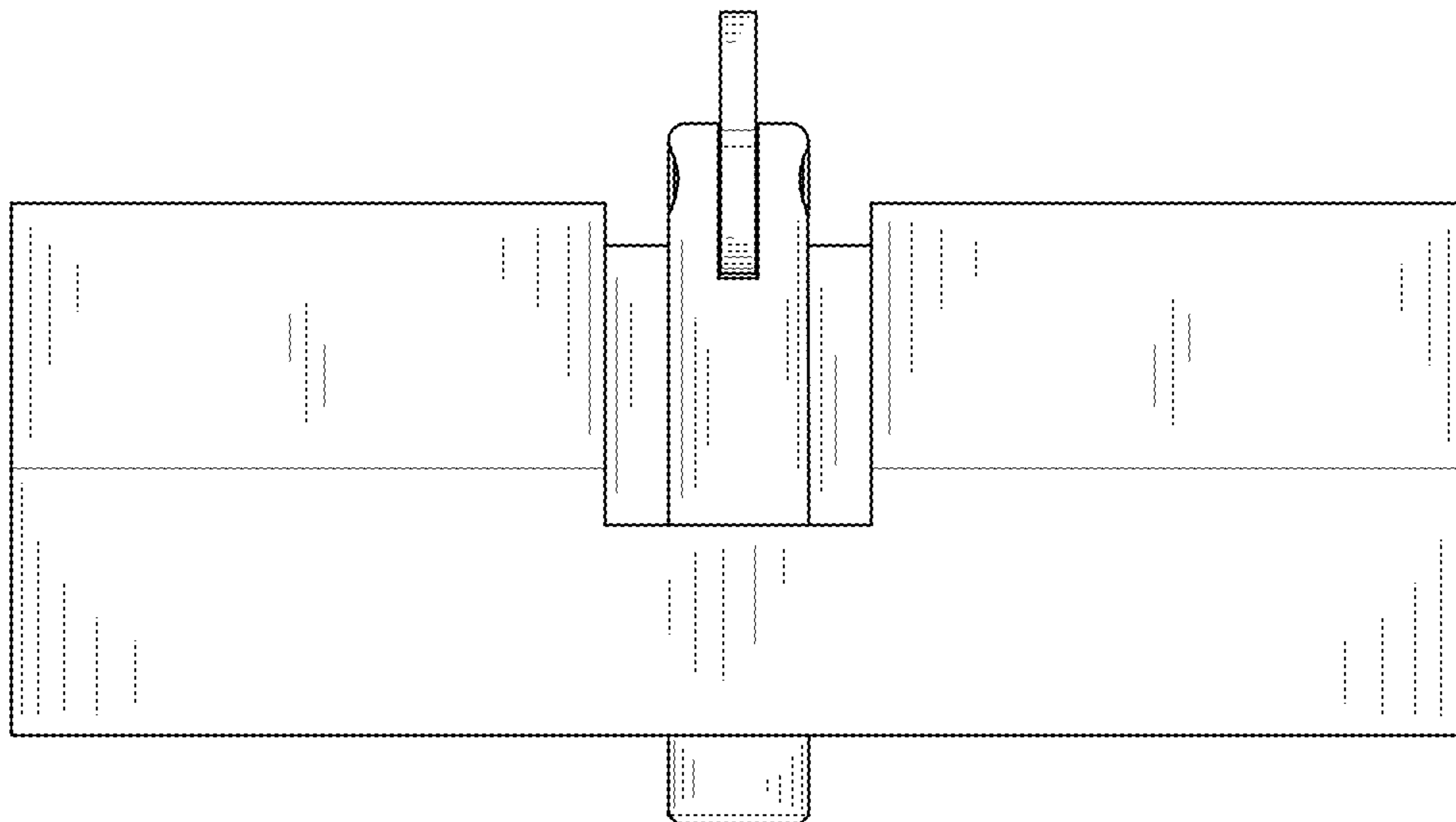


FIG. 7